

WGen5300v

Portable Generator

Gasoline: 5300 Running Watts | 6600 Peak Watts

DO NOT RETURN THIS PRODUCT TO THE STORE

If you have questions or need assistance, please call customer service at 855-944-3571.

INTRODUCTION

INTRODUCTION

TABLE OF CONTENTS

INTRODUCTION

DISCLAIMERS.....	2
ALL RIGHTS RESERVED.....	2
SPECIFICATIONS.....	3

SAFETY

SAFETY DEFINITIONS.....	4
SAFETY SYMBOLS.....	4
SAFETY INSTRUCTIONS.....	5
SAFETY LABELS.....	7

COMPONENTS

CONTROL PANEL COMPONENTS.....	8
GENERATOR COMPONENTS.....	9

ASSEMBLY

CARTON CONTENTS.....	10
INSTALL FEET AND WHEELS.....	10
INITIAL OIL FILL.....	11
FUEL.....	11

OPERATION

GENERATOR LOCATION.....	13
GROUNDING.....	13
VOLTAGE SELECTOR SWITCH.....	14
BREAK-IN PERIOD.....	14
BEFORE STARTING THE GENERATOR.....	14
STARTING THE ENGINE.....	14
STOPPING THE ENGINE.....	15
FREQUENCY OF USE.....	15
AC CIRCUIT BREAKERS.....	15

GENERATOR CAPACITY.....	15
POWER MANAGEMENT.....	15
EXTENSION CORDS.....	16
TRANSPORTING.....	16

MAINTENANCE

MAINTENANCE SCHEDULE.....	17
MAINTENANCE REMINDERS.....	17
MAINTENANCE REPLACEMENT PARTS.....	17
AIR FILTER MAINTENANCE.....	17
ENGINE OIL LEVEL CHECK.....	18
ENGINE OIL CHANGE.....	18
SPARK PLUG MAINTENANCE.....	19
SPARK ARRESTOR SERVICE.....	19
STORAGE.....	19
VALVE CLEARANCE.....	21

TROUBLESHOOTING

TROUBLESHOOTING.....	22
----------------------	----

EXPLODED VIEWS AND PARTS LIST

ENGINE EXPLODED VIEW.....	23
ENGINE PARTS LIST.....	24
GENERATOR EXPLODED VIEW.....	26
GENERATOR PARTS LIST.....	27

SCHEMATICS

SCHEMATICS.....	29
-----------------	----

ESPAÑOL.....	30
--------------	----

FRANÇAIS.....	54
---------------	----

⚠ WARNING: Operating, servicing, and maintaining this equipment can expose you to chemicals including engine exhaust, carbon monoxide, phthalates, and lead, which are known to the State of California to cause cancer and birth defects or other reproductive harm. To minimize exposure, avoid breathing exhaust, and wear gloves or wash your hands frequently when servicing this equipment. For more information go to www.P65warnings.ca.gov.

DISCLAIMERS

All information, illustrations, and specifications in this manual were in effect at the time of publishing. The illustrations used in this manual are intended as representative reference views only. We reserve the right to make any specification or design change without notice.

ALL RIGHTS RESERVED

All rights reserved. No reproduction allowed in any form without written permission from Westinghouse Outdoor Power Equipment, LLC.

⚠ DANGER



Read this manual before using or performing maintenance on this product. Failure to follow the instructions and safety precautions in this manual can result in serious injury or death.

SAVE THESE INSTRUCTIONS

INTRODUCTION

SPECIFICATIONS

Specifications	
Running Watts:	5300
Peak Watts:	6600
Rated Power @1.0 Power Factor:	5.3 kW
Peak Power:	6.6 kVA
Rated Voltage:	120V/240V
Rated frequency:	60 Hz @ 3600 RPM
Phase:	Single phase
Total Harmonic Distortion:	≤ 23%
Engine Displacement:	274 cc
Starting Type:	Recoil
Fuel Capacity:	4.7 Gallons (18 Liters)
Fuel Type:	Unleaded gasoline 87–93 octane*
Oil Capacity:	0.74 Quart (0.7 Liter)
Oil Type:	SAE 10W-30
Spark Plug:	97108 (F7TC)
Spark Plug Gap:	0.024 – 0.032 in. (0.60 – 0.80 mm)
Valve Intake Clearance:	0.0031 – 0.0047 in. (0.08 – 0.12 mm)
Valve Exhaust Clearance:	0.0051 – 0.0067 in. (0.13 – 0.17 mm)
AC Grounding System:	Bonded neutral
Voltage Regulator:	AVR
Alternator Type:	Brushed
Maximum Ambient Temperature:	104°F (40°C)
Certifications:	<ul style="list-style-type: none">EPACARB

*Ethanol content of 10% or less. **DO NOT** use E15 or E85.

UPDATES

The latest User Manual for your Westinghouse generator can be found under our support tab. <https://westinghouseoutdoorpower.com/pages/manuals>

Or scan the following QR code with your smartphone camera to be directed to the link.



NOTICE

This product is designed and rated for continuous operation at ambient temperatures up to 104°F (40°C). If needed, this product can be operated at temperatures ranging from 5°F (15°C)–122°F (50°C) for short periods. If the product is exposed to temperatures outside of this range during storage, it should be brought back within this range before operation. This product must **ALWAYS** be operated outdoors in a well-ventilated area and far away from doors, windows, and other vents.

Maximum wattage and current are subject to and limited by such factors as fuel BTU content, ambient temperature, altitude, engine conditions, etc. Maximum power decreases about 3.5% for each 1,000 feet above sea level, and will also decrease about 1% for each 10°F (6°C) above 60°F (16°C) ambient temperature.

PRODUCT REGISTRATION

For trouble-free warranty coverage, it is important to register your Westinghouse generator.

You can register by:

- Completing and mailing the product registration card included in the carton.
- Registering your product online at: <https://westinghouseoutdoorpower.com/pages/warranty-registration>
- Scan the following QR code with your smartphone camera to be directed to the mobile registration link.



- Sending the following product information to:

Westinghouse Outdoor Power
Warranty registration
777 Manor Park Drive
Columbus, OH 43228

For Your Records

Date of Purchase: _____

Model Number: _____

Serial Number: _____

Place of Purchase: _____

IMPORTANT: Keep your purchase receipt for trouble-free warranty coverage.

SAFETY

SAFETY

SAFETY DEFINITIONS

The words DANGER, WARNING, CAUTION, and NOTICE are used throughout this manual to highlight important information. Make sure that the meanings of this safety information is known to all who operate, perform maintenance on, or are near the generator.



This safety alert symbol appears with most safety statements. It means attention, become alert, your safety is involved! Read and abide by the message that follows the safety alerts symbol.

⚠ DANGER

Indicates a hazardous situation which, if not avoided, will result in death or serious injury.

⚠ WARNING

Indicates a hazardous situation which, if not avoided, could result in death or serious injury.

⚠ CAUTION

Indicates a hazardous situation which, if not avoided, could result in minor or moderate injury.

NOTICE

Indicates a situation which can cause damage to the generator, personal property, and/or the environment, or cause the equipment to operate improperly.

Note: Indicates a procedure, practice or condition that should be followed for the generator to function in the manner intended.

SAFETY SYMBOLS

Follow all safety information contained in this manual and on the generator.

Symbol	Description
	Safety Alert Symbol
	Electrocution Hazard
	Asphyxiation Hazard
	Burn Hazard. DO NOT touch hot surfaces.
	Electrical Shock Hazard
	Fire Hazard
	Maintain Safe Distance
	Lifting Hazard
	Read Manufacturer's Instructions
	DO NOT Operate in Wet Conditions
	Ground. Consult with electrician to determine grounding requirements before operation.

⚠ DANGER

Using a generator indoors CAN KILL YOU IN MINUTES. Generator exhaust contains carbon monoxide. This is a poison you cannot see or smell.



NEVER use inside a home or garage, EVEN IF doors and windows are open.

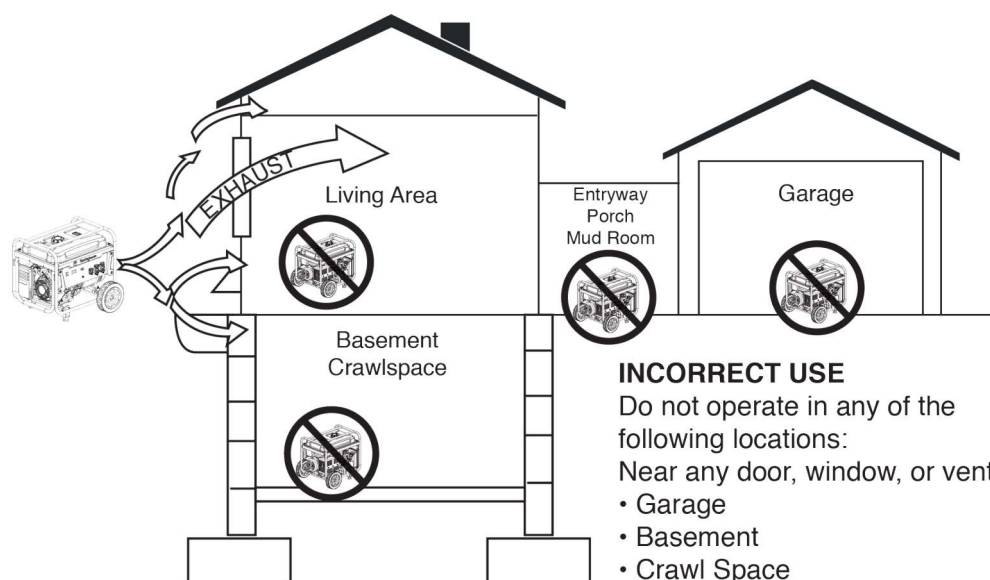
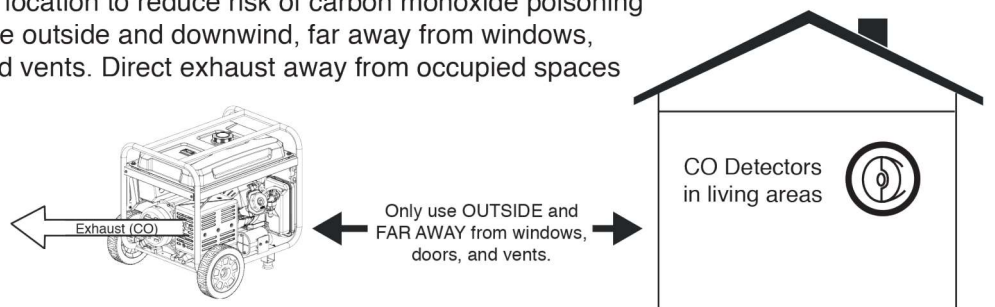


Only use OUTSIDE and far away from windows, doors, and vents.

SAFETY INSTRUCTIONS

CORRECT USE

Example location to reduce risk of carbon monoxide poisoning
ONLY use outside and downwind, far away from windows, doors and vents. Direct exhaust away from occupied spaces



INCORRECT USE

Do not operate in any of the following locations:

Near any door, window, or vent

- Garage
- Basement
- Crawl Space
- Living Area
- Attic
- Entry Way
- Porch
- Mudroom

NOTICE

Install battery-powered carbon monoxide detectors or plug-in carbon monoxide detectors with battery back-up in living areas.

⚠ DANGER

Fire and electrocution hazard. **DO NOT** connect to a building's electrical system unless the generator and transfer switch have been properly installed and the electrical output has been verified by a qualified electrician. The connection must isolate the generator power from utility power and must comply with all applicable laws and electrical codes.

⚠ DANGER

Electrocution hazard. **NEVER** use the generator in a location that is wet or damp. **NEVER** expose the generator to rain, snow, water spray, or standing water while in use. Protect the generator from all hazardous weather conditions. Moisture or ice can cause a short circuit or other malfunction in the electrical circuit.

SAFETY

GENERAL SAFETY PRECAUTIONS

- **NEVER** use the generator to power medical support equipment.
- **DO NOT** operate the generator when you are tired or under the influence of drugs, alcohol, or medication.
- **DO NOT** use generator with electrical cords which are worn, frayed, bare, or otherwise damaged.
- All electrical tools and appliances operated from this generator must be properly grounded by use of a third wire or be double-insulated.
- When this generator is used to supply a building wiring system the generator must be installed by a qualified electrician and connected to a transfer switch as a separately derived system in accordance with NFPA 70, National Electrical Code.
- If you begin to feel sick, dizzy, or weak while using the generator, move to fresh air **IMMEDIATELY**. See a doctor, as you can have carbon monoxide poisoning.
- Only use **OUTSIDE** and far away from windows, doors, and vents as recommended by the US Department of Health and Human Services Centers for Disease Control and Prevention. Your specific home and/or wind conditions may require additional distance.
- While operating and storing, keep at least five feet of clearance on all sides of the generator, including overhead. Allow the generator to cool a minimum of 30 minutes before storage. Heat created by the muffler and exhaust gases could be hot enough to cause serious burns and/or ignite combustible objects.
- **DO NOT** touch the muffler or engine. They are very **HOT** and will cause severe burns. **DO NOT** put body parts or any flammable or combustible materials in the direct path of the exhaust.
- **ALWAYS** remove any tools or other service equipment used during maintenance away from the generator before operating.
- Avoid skin contact with engine oil or gasoline. Wear protective clothing and equipment. Wash all exposed skin with soap and water.
- A transfer switch must be installed by a licensed electrician approved by the authority having jurisdiction. The installation must comply with all applicable laws and electrical codes.

FUEL SAFETY

- Store fuel in a container approved for gasoline.
- **DO NOT** smoke when filling the generator with gasoline.
- **DO NOT** allow the generator's gas tank to overflow when filling.
- Shut down the engine and allow it to cool for two minutes before adding gasoline or oil to the generator.

- **NEVER** remove the fuel cap when the generator is running. Shut off the engine and allow the unit to cool at least two minutes. Remove the fuel cap slowly to release pressure, keep fuel from escaping around the cap, and to avoid the heat from the muffler igniting fuel vapors. Tighten the fuel cap securely after refueling.
- Wipe spilled fuel from the unit.
- **NEVER** attempt to burn off spilled fuel.
- **NEVER** overfill the fuel tank. Leave room for fuel to expand. Overfilling the fuel tank can result in a sudden overflow of gasoline and result in spilled gasoline coming in contact with **HOT** surfaces.
- Spilled fuel can ignite. If fuel is spilled on the generator, wipe up any spills immediately. Dispose of rag properly. Allow area of spilled fuel to dry before operating the generator.
- Wear eye protection while refueling.
- **NEVER** use gasoline as a cleaning agent.
- Store any containers containing gasoline or in a well-ventilated area, away from any combustibles or source of ignition.

GASOLINE AND GASOLINE VAPOR (GAS)

▲ DANGER

Fire and explosion hazard. Gasoline and is highly explosive and flammable and can cause severe burns or death.

- In case of a gas fire, **DO NOT** attempt to extinguish the flame if the fuel tank valve is in the **ON** position. Introducing an extinguisher to a generator with an open fuel valve could create an explosion hazard.
- Gas has a distinctive odor, this will help detect potential leaks quickly.
- Gas vapors can cause a fire if ignited.
- Gasoline is a skin irritant and needs to be cleaned up immediately if it comes in contact with the skin.
- Flammable gas under pressure can cause a fire or explosion if ignited.

When starting the generator:

- Make sure that the fuel cap, air filter, spark plug, fuel lines, and exhaust system are properly in place.
- If you spill any gasoline on the tank, allow it to fully evaporate before operating.
- Make sure the generator is on a flat surface before operating.

When transporting or servicing the generator:

- Disconnect the spark boot to prevent accidental starting.

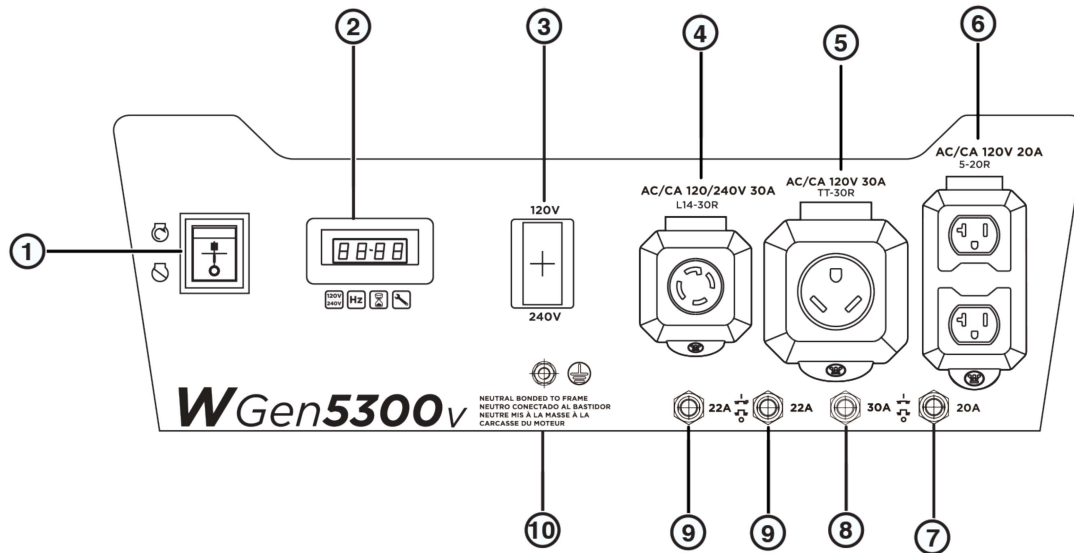
When storing the generator:

- Store away from sparks, open flames, pilot lights, heat, and other sources of ignition.

COMPONENTS

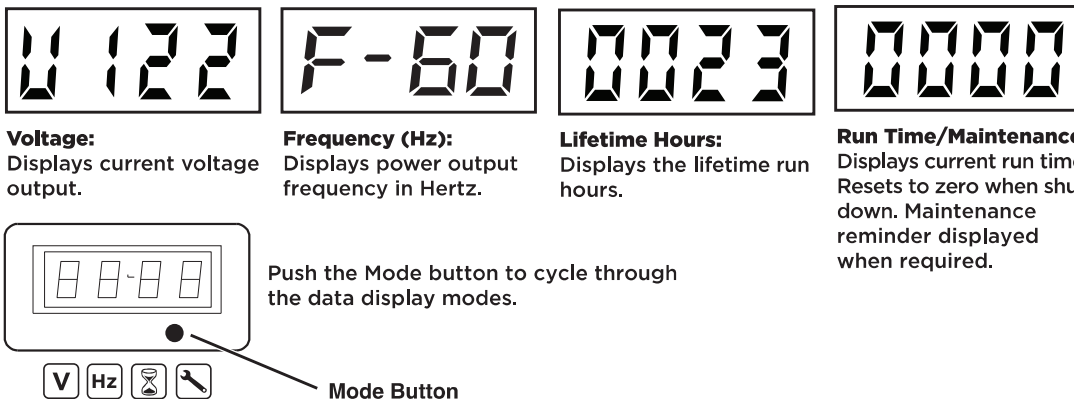
COMPONENTS

CONTROL PANEL COMPONENTS



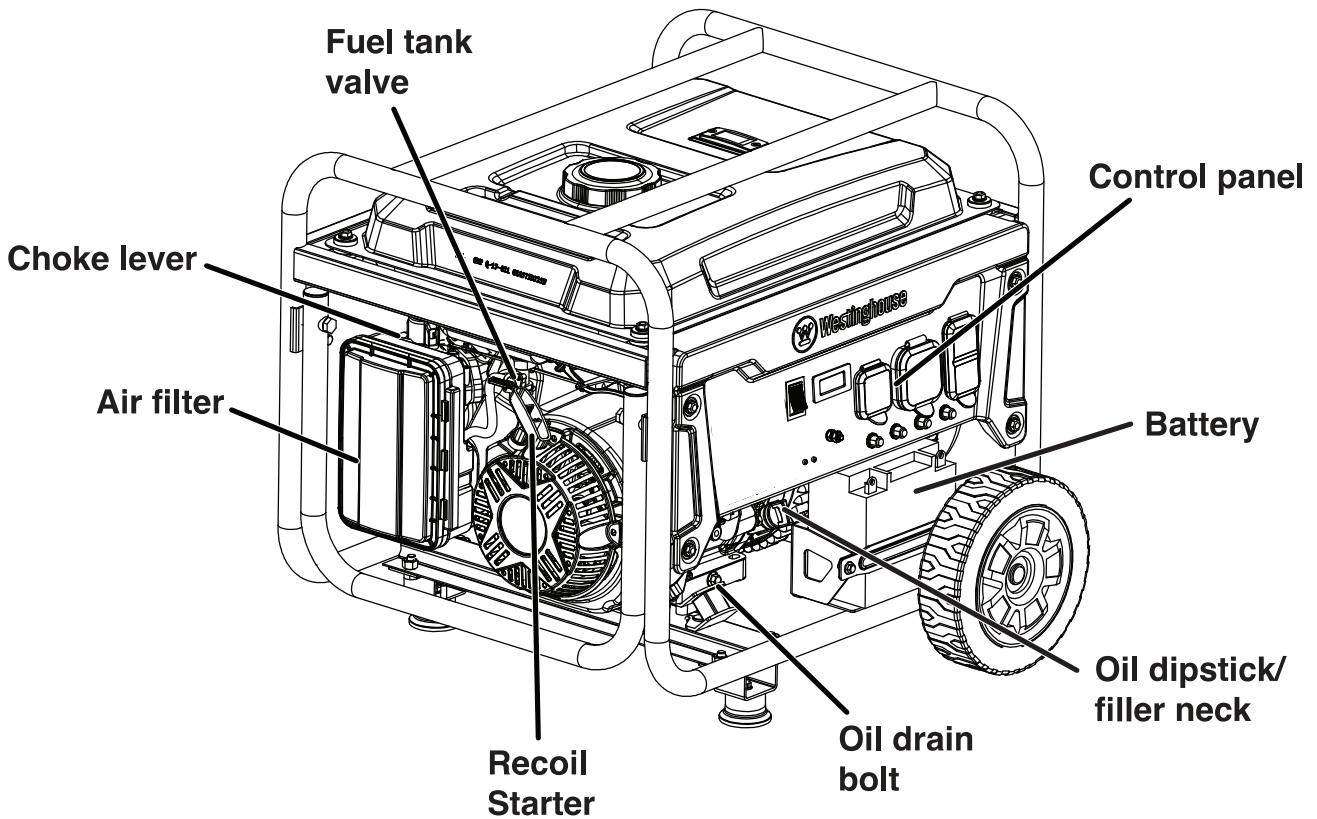
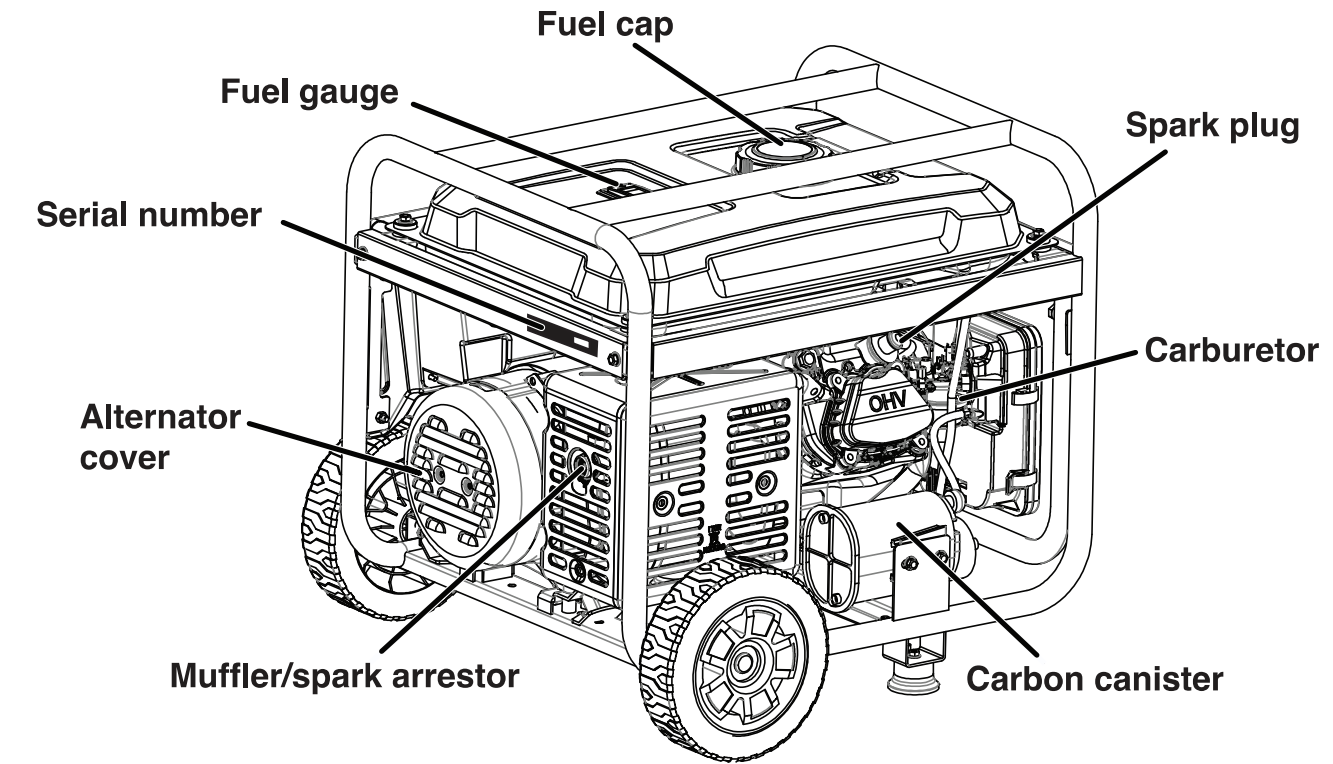
- 1. Run/Stop Switch:** Push to Run position to start or Stop position to shut the generator off.
- 2. Data Center:** Toggle to show voltage, frequency, total hour meter, and run/maintenance timer.
- 3. Voltage Selector Switch:** Select 120 Volts or 240 Volts. Shut the generator **OFF** before switching voltages.
- 4. 120/240 Volt AC, 30 Amp NEMA L14-30R Twist Lock Receptacle:** Receptacle can supply either 120V or 240V output.
- 5. 120 Volt AC, 30 Amp NEMA TT-30R Receptacle:** Receptacle can supply a maximum of 30 Amps.
- 6. 120 Volt AC, 20 Amp Duplex NEMA 5-20R Receptacles:** Receptacles can supply a maximum of 20 Amps.
- 7. 20 Amp AC Circuit Breaker:** Circuit breaker limits the current that can be delivered through the NEMA 5-20R receptacles to 20 Amps.
- 8. 30 Amp AC Circuit Breaker:** Circuit breaker limits the current that can be delivered through the TT-30R receptacle to 30 Amps.
- 9. 22-Amp Circuit Breakers:** Each circuit breaker limits the current that can be delivered through each 120 Volt leg on L14-30R to 22amps.
- 10. Ground Terminal:** The ground terminal is used to externally ground the generator.

DATA CENTER



COMPONENTS

GENERATOR COMPONENTS



ASSEMBLY

ASSEMBLY

CARTON CONTENTS

⚠ CAUTION

Weight hazard. **ALWAYS** have assistance when lifting the generator.

1. Carefully open the carton.
2. Remove and save the carton contents.
3. Remove and discard the packing tray.
4. Unfold the top of the plastic bag enclosing the generator.
5. Carefully cut the vertical corners of the carton to access the generator.
6. Recycle or dispose of the packaging materials properly.

CARTON CONTENTS

- User manual
- Quick Start Guide
- Bottle of SAE 10W-30 oil
- Spark plug wrench
- Wrench
- Oil Funnel
- Wheel and mounting foot components:

Item	Quantity
• Mounting foot	2
• Flange bolt, M8	4
• Wheel	2
• Axle pin	2
• Washer	2
• Cotter pin	2

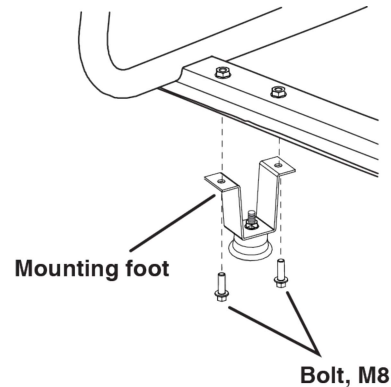
If any parts are missing, contact our service team at service@wpowereq.com or call 1-855-944-3571.

INSTALL FEET AND WHEELS

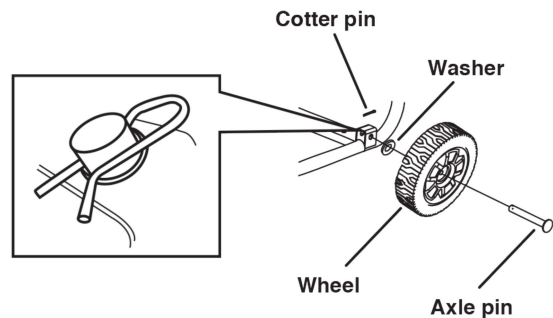
NOTICE

Assembling the generator will require lifting the unit on one side. Install the mounting feet and wheel before adding fuel or oil.

1. Place generator on a flat surface.
2. Tip the generator on a piece of cardboard or other soft material to protect the frame paint and prevent the generator from sliding.
3. With the included wrench, install the mounting feet to the frame as shown.



4. Install the wheels as shown.



Note: The wheels are only intended for hand transport. The wheels are not suitable for towing the generator either on or off-road.

INITIAL OIL FILL

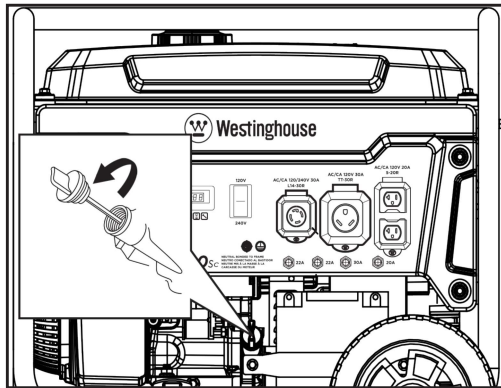
NOTICE

THIS GENERATOR HAS BEEN SHIPPED WITHOUT OIL. DO NOT attempt to crank or start engine before it has been properly serviced with recommended oil. Failure to add engine oil before starting will result in serious engine damage.

The included, recommended oil type for typical use is 10W-30 engine oil. If running the generator in extreme temperatures, refer to the following chart.

Recommended Engine Oil Type									
		10W-30							
5W-30						10W-40			
5W-30 Synthetic									
°F	-20	0	20	40	60	80	100	120	
°C	-28.9	-17.8	-6.7	4.4	15.6	26.7	37.8	48.9	
Ambient temperature									

1. On a level surface, remove the oil dipstick.



2. Using the supplied funnel and oil, add oil into oil filler neck.

Note: As residual oil from the factory may remain in the engine, add the oil incrementally near the end of the bottle to prevent overfilling the engine. See Engine Oil Level Check in the Maintenance section.

3. Wipe the oil dipstick clean. Replace the oil dipstick and hand-tighten.

FUEL

⚠ WARNING

Fire and explosion hazard. **NEVER** use a gasoline container, gasoline tank, or any other fuel item that is broken, cut, torn or damaged.

⚠ DANGER

Fire and explosion hazard. **DO NOT** overfill fuel tank. Fill only to the red fill ring located in the in-tank fuel screen filter. Overfilling may cause fuel to spill onto engine causing a fire or explosion hazard.

⚠ DANGER

Fire and explosion hazard. **NEVER** refuel the generator while the engine is running. **ALWAYS** turn the engine off and allow the generator to cool for two minutes before refueling.

NOTICE

DO NOT use E15 or E85 fuel in this product. Engine or equipment damage caused by stale fuel or the use of unapproved fuels (such as E15 or E85 ethanol blends) is not covered by warranty. Only use unleaded gasoline containing up to 10% ethanol.

FUEL REQUIREMENTS

- CLEAN, FRESH, unleaded gasoline, 87–93 octane.
- Up to 10% ethanol (gasohol) is acceptable (where available; non-ethanol fuel is recommended).
- **DO NOT** use E85 or E15.
- **DO NOT** use a gas oil mix.
- **DO NOT** modify the engine to run on alternate fuels.
- **DO NOT** fuel indoors.
- **DO NOT** create a spark or flame while fueling.

USING FUEL STABILIZER

Adding a fuel stabilizer (not included) extends the usable life of fuel and helps prevent deposits from forming that can clog the fuel system. Follow the manufacturer's instructions for use.

ALWAYS mix the correct amount of fuel stabilizer to gasoline in an approved gasoline container before fueling the generator. Run the generator for five minutes to allow the stabilizer to treat the entire fuel system.

ASSEMBLY

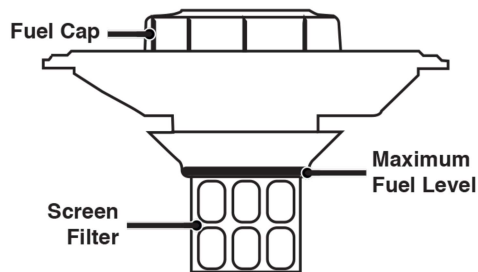
FILLING THE FUEL TANK

1. Turn the generator OFF and allow to cool for a minimum of two minutes before fueling.
2. Place the generator on level ground in a well-ventilated area.
3. Clean area around fuel cap and remove the cap slowly.

NOTICE

Only fill the tank from an approved gasoline container. Make sure the gasoline container is internally clean and in good condition to prevent fuel system contamination.

4. Slowly add the recommended fuel. **DO NOT** overfill. Fill only to the red maximum fill ring on the fuel screen filter visible in the filler neck.



5. Install the fuel cap.

NOTICE

Fuel can damage paint and plastic. Use caution when filling the fuel tank. Damage caused by spilled fuel is not covered under warranty.

NOTICE

Clean the fuel screen filter of debris before and after each fueling. Remove the fuel screen filter by slightly compressing it while removing it from the fuel tank.

OPERATION

OPERATION

GENERATOR LOCATION

Read and understand all safety information before starting the generator.

⚠ DANGER

Using a generator indoors CAN KILL YOU IN MINUTES. Generator exhaust contains carbon monoxide. This is a poison you cannot see or smell.



NEVER use inside a home or garage, EVEN IF doors and windows are open.



Only use OUTSIDE and far away from windows, doors, and vents.

NEVER operate the generator inside any building, including garages, basements, crawlspaces, sheds, enclosure, or compartment, including the generator compartment of a recreational vehicle.

⚠ DANGER

Electrocution hazard. NEVER use the generator in a location that is wet or damp. NEVER expose the generator to rain, snow, water spray, or standing water while in use. Protect the generator from all hazardous weather conditions. Moisture or ice can cause a short circuit or other malfunction in the electrical circuit. Using a generator or electrical appliance in wet conditions, such as rain or snow, or near a pool or sprinkler system, or when your hands are wet, could result in electrocution.

⚠ WARNING

Fire hazard. Only operate the generator on a solid, level surface. Operating the generator on a surface with loose material such as sand or grass clippings can cause debris to be ingested by the generator that could block cooling vents or the air intake system. Allow the generator to cool for 30 minutes before transport or storage.

The generator should be on a flat, level surface at all times (Even while not in operation). The generator must have at least 5 ft. (1.5 m) of clearance from all combustible material.

DO NOT operate the generator in the back of a SUV, camper, trailer, truck bed (regular, flat, or otherwise), under stairs, next to walls or buildings, or in any other location that will not allow for adequate cooling of the generator and/or the muffler. DO NOT contain generators during operation.

⚠ DANGER

Asphyxiation hazard. Place the generator in a well-ventilated area. DO NOT place the generator near vents or intakes where exhaust fumes could be drawn into occupied or confined spaces. Carefully consider wind and air currents when positioning the generator.

GROUNDING

⚠ WARNING

Shock hazard. Failure to properly ground the generator can result in electric shock.

NOTICE

Only use grounded 3-prong extension cords, tools, and appliances, or double-insulated tools and appliances.

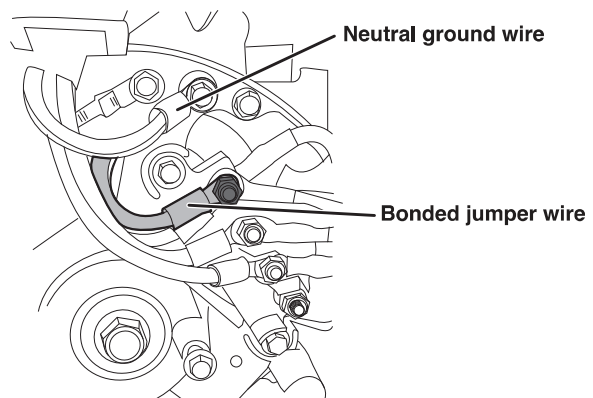
The generator neutral is bonded to the frame. There is a permanent conductor between the generator (stator wire) and the frame. If this generator will be used only with cord and plug equipment connected to the receptacles mounted on the generator, National Electric Code does not require that the unit be grounded. However, other methods of using the generator may require grounding to reduce the risk of shock or electrocution.

Before using the ground terminal, consult a qualified electrician, electrical inspector, or local agency having jurisdiction for local codes or ordinances that apply to the intended use of the generator.

DISCONNECTING THE BONDED NEUTRAL

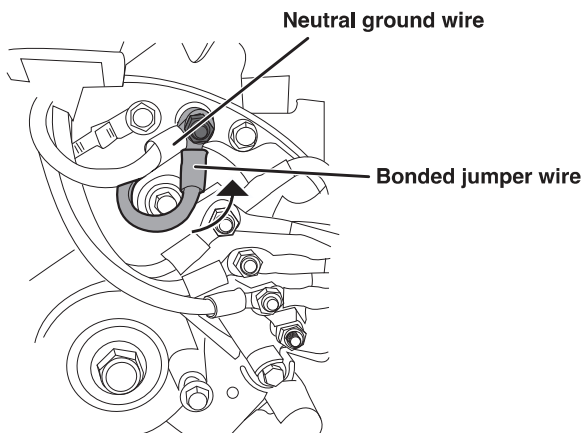
Removing the bonded neutral disables the GFCI protection from the 5-20R receptacles. The bonded neutral should only be removed under specific circumstances. Consult a qualified electrician to determine if your situation requires disconnecting the bonded neutral.

1. Remove the alternator cover.
2. Remove the bonded jumper wire and reinstall the nut.



OPERATION

3. Remove the nut securing the neutral ground wire and attach the bonded jumper wire. Reinstall the nut.



4. Reinstall the alternator cover.

IMPORTANT: Apply a new "NEUTRAL UNBONDED" Label over the "NEUTRAL BONDED TO FRAME" label on the front of the control panel.

HIGH ALTITUDE OPERATION

Engine power is reduced the higher you operate above sea level. Output will be reduced approximately 3.5% for every 1000 feet of increased altitude from sea level.

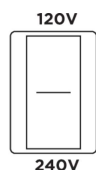
High altitude adjustment is required for operation at altitudes over 2,000 ft. (762 m). Operation without this adjustment will cause decreased performance, increased fuel consumption, and increased emissions.

NOTICE

DO NOT operate the generator at altitudes below 2,000 ft. (762 m) with the high altitude kit installed. Engine damage may occur.

High Altitude Carburetor Kit Part# 518965

VOLTAGE SELECTOR SWITCH



The 120V/240V selector switch gives the user the ability to double the amperage in the generator for more demanding applications. The voltage selector switches the dual 120V AC windings of the generator to produce 120V or 240V. If a 240V appliance is connected to the 4-prong L14-30R receptacle, the switch must be in the "240V" position. The 120V only outlets will not output power when the Voltage Selector is in the 240V position.

⚠ WARNING

Only change the Voltage Selector Switch with the generator OFF. **DO NOT** switch the voltage while the generator is running or powering appliances.

BREAK-IN PERIOD

For proper break-in, **DO NOT** exceed 50% of the rated running watts (2650 watts) during the first five hours of operation.

Vary the load occasionally to allow stator windings to heat and cool and help seat the piston rings.

BEFORE STARTING THE GENERATOR

Verify that:

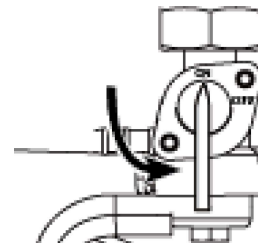
- The generator is placed in a safe, appropriate location.
- The generator is on a dry, flat, and level surface.
- The engine is filled with oil.
- All loads are disconnected.

⚠ DANGER

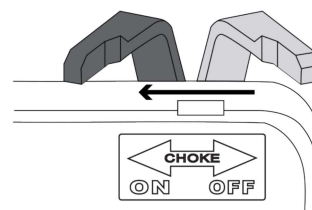
Fire and explosion hazard. **DO NOT** move or tip the generator during operation.

STARTING THE ENGINE

1. Verify that fuel is in the gas tank.
2. Turn the fuel selector switch on the control panel to gasoline operation.
3. Turn the fuel tank valve to the ON position.



Note: If cold starting, move the choke lever to the ON position.



4. Push the Run/Stop switch to the Run position.
5. Firmly grasp and pull the recoil handle slowly until you feel increased resistance, then pull rapidly.
6. After starting, allow the engine to run for several seconds then move the Choke lever to the fully OFF position. .

OPERATION

STOPPING THE ENGINE

1. Turn off and unplug all connected electrical loads.

IMPORTANT: NEVER start or stop the generator with electrical devices connected.

2. Let the generator run with no load for several minutes to stabilize internal temperatures of the engine.
3. Push the Battery switch to the OFF position.

Note: Alternately, if the generator is used infrequently, turn the fuel tank valve to the OFF position to limit the residual fuel remaining in the carburetor float bowl. The engine will stop when fuel in the carburetor and fuel line is exhausted.

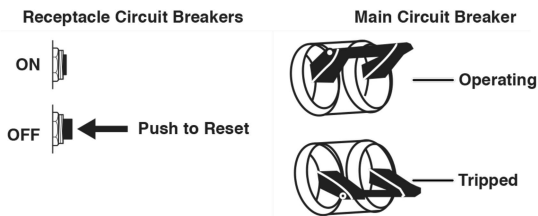
FREQUENCY OF USE

If the generator will be used on an infrequent or intermittent basis (more than one month before next use), refer to the Storage section of this manual for information regarding fuel deterioration.

AC CIRCUIT BREAKERS

The circuit breakers will automatically switch OFF if there is a short circuit or a significant overload of the generator at each receptacle.

If an AC circuit breaker switches OFF automatically, check that the appliance is working correctly and it does not exceed the rated load capacity of the circuit before resetting the AC circuit breaker ON.



GENERATOR CAPACITY

NOTICE

DO NOT overload the generator's capacity. Exceeding the generator's wattage/amperage capacity can damage the generator and/or electrical devices connected to it.

Make sure the generator can supply enough continuous (running) and surge (starting) watts for the items you will power at the same time.

The total power requirements (Volts x Amps = Watts) of all appliances connected must be considered. Appliance and power tool manufacturers usually list rating information near the model or serial number.

To determine power requirements:

1. Select the items you will power at the same time.

2. Total the continuous (running) watts of these items. This is the amount of power the generator must produce to keep the items running. See the wattage reference chart.
3. Estimate how many surge (starting) watts you will need. Surge wattage is the short burst of power needed to start electric motor-driven tools or appliances such as a circular saw or refrigerator. Because not all motors start at the same time, total surge watts can be estimated by adding only the item(s) with the highest additional surge watts to the total rated watts from step 2.

Example:

Tool or Appliance	Running Watts*	Starting Watts*
RV Air Conditioner (11,000 BTU)	1010	1600
TV (Tube Type)	300	0
RV Refrigerator	180	600
Radio	200	0
Light (75 Watts)	300	0
Coffee Maker	600	0
Totals	2590	1600
Total Running Watts*	2590	
Highest Starting Watts*		+ 1600
Total Starting Watts Needed		4190

*Wattages listed are approximate. Verify actual wattage.

POWER MANAGEMENT

To prolong the life of the generator and attached devices, use care when adding electrical loads to the generator. There should be nothing connected to the generator outlets before starting the engine. The correct and safe way to manage generator power is to sequentially add loads as follows:

1. With nothing connected to the generator, start the engine as described in this manual.
2. Plug in and turn on the first load, preferably the largest load you have.
3. Permit the generator output to stabilize (engine runs smoothly and attached device operates properly).
4. Plug in and turn on the next load.
5. Again, permit the generator to stabilize.
6. Repeat steps 4 and 5 for each additional load.

OPERATION

Wattage Reference

Tool or Appliance	Estimated Running Watts*	Estimated Starting Watts*
Incandescent Lights (4 Quantity x 75 Watts)	300	0
TV (Tube Type)	300	0
Sump Pump (1/3 hp)	800	1300
Refrigerator or Freezer	700	2200
Well Pump (1/3 hp)	1000	2000
Furnace (1/2 hp)	800	2350
Radio	200	0
Drill (3/8", 4 amps)	440	600
Circular Saw (Heavy Duty, 7-1/4")	1400	2300
Miter Saw (10")	1800	1800
Table Saw (10")	2000	2000

*Wattages listed are approximate. Verify actual wattage.

EXTENSION CORDS

⚠ WARNING

Asphyxiation hazard. Extension cords running directly into the home increase the risk of carbon monoxide poisoning through any openings. If an extension cord running directly into your home is used to power indoor items, there is a risk of carbon monoxide poisoning to people inside the home. **ALWAYS** use battery-powered carbon monoxide detector (s) that meet current UL 2034 safety standards when running the generator. Regularly check the detector (s) battery.

⚠ WARNING

Asphyxiation hazard. When operating the generator with extension cords, make sure the generator is located in an open, outdoor area, far away from occupied spaces with exhaust pointed away.

⚠ WARNING

Fire and electrocution hazard. **NEVER** use worn or damaged extension cords. Damaged or overloaded extension cords could overheat, arc, and burn resulting in death or serious injury.

Before connecting an AC appliance or power cord to the generator:

- Use grounded 3-prong extension cords, tools, and appliances, or double-insulated tools and appliances.
- Make sure the tool or appliance is in good working order. Faulty appliances or power cords can create a potential for electric shock.
- Make sure the electrical rating of the tool or appliance does not exceed the rated power of the generator or the receptacle being used.

EXTENSION CORD SIZING

Only use grounded 3-prong extension cords marked for outdoor use that are rated for the electrical load.

Total Amperage	Minimum Gauge, Outdoor Rated	
	Up to 50 FT (15 M)	Up to 100 FT (30 M)
Up to 10A	12	8
Up to 15A	10	8
Up to 20A	10	6
Up to 30A	8	6
Up to 35A	6	6

TRANSPORTING

⚠ CAUTION

Weight hazard. **ALWAYS** have assistance when lifting the generator.

- Allow the generator to cool a minimum of 30 minutes before transporting.
- Replace all protective covers on the generator control panel.
- Only use the generator's fixed frame to lift the unit or attach any load restraints such as ropes or tie-down straps. **DO NOT** attempt to lift or secure the generator by holding onto any of its other components.
- Keep the unit level during transport to minimize the possibility of fuel leakage or, if possible, drain the fuel or run the engine until the fuel tank is empty before transport.

MAINTENANCE

MAINTENANCE

⚠ CAUTION

Fire hazard. **DO NOT** up-end the generator or place it on its side. Fuel or oil can leak and damage to the generator may occur.

⚠ WARNING

Accidental start-up. Disconnect the spark plug boot from the spark plug when performing maintenance on the generator.

MAINTENANCE SCHEDULE

Regular maintenance will improve performance and extend the service life of the generator. Follow the hourly or calendar intervals, whichever occurs first. More frequent service is required when operating in adverse conditions as noted below.

Before Each Use
Check engine oil
After First 25 Hours or First Month
Change engine oil
After 50 Hours or Every 6 Months
Change engine oil ¹ Clean air filter ²
After 100 Hours or Every 6 Months
Inspect/clean spark arrestor Inspect/clean spark plug Fuel valve maintenance Inspect/adjust valve clearance ³
After 300 Hours or Every Year
Replace spark plug Replace air filter

- ¹ Change oil every month when operating under heavy load or in high temperatures.
- ² Clean more often under dirty or dusty conditions. Replace air filter if it cannot be adequately cleaned.
- ³ Recommend service to be performed by authorized Westinghouse service dealer.

MAINTENANCE REMINDERS

Maintenance reminder codes will be shown on the Data Display based on unit Lifetime Hours. The maintenance codes will be displayed until the unit is turned off. Refer to the Maintenance section for specific procedures.

Maintenance Code	Required Maintenance
P25	Change engine oil
P50	<ul style="list-style-type: none"> Change engine oil Clean air filter
P100	<ul style="list-style-type: none"> Change engine oil Clean air filter Fuel valve maintenance Inspect/adjust valve clearance

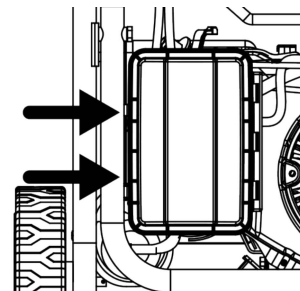
MAINTENANCE REPLACEMENT PARTS

Description	Part Number
Air filter	5941
Oil drain plug crush washer	94007
Spark arrestor	6790
Spark plug	97108 (F7TC)

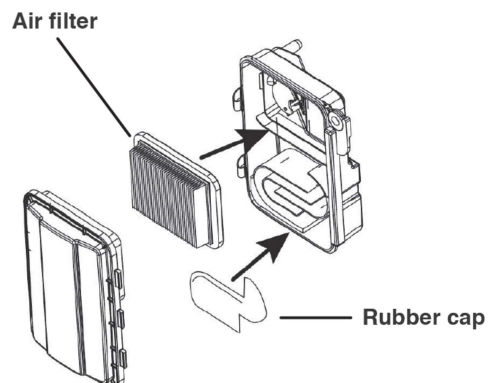
AIR FILTER MAINTENANCE

The air filter must be cleaned after every 50 hours of use or six months (frequency should be increased if the generator is operated in a dusty environment).

- Place the generator on a level surface and allow the engine to cool for several minutes.
- Release the clips and remove the air filter cover.



- Clean the air filter with compressed air. Replace if damaged.
- Make sure the air filter and rubber cap are correctly installed. Install the air filter cover and secure it in place with the cover clips.



MAINTENANCE

ENGINE OIL LEVEL CHECK

⚠ CAUTION

Avoid skin contact with engine oil. Wear protective clothing and equipment. Wash all exposed skin with soap and water.

NOTICE

ALWAYS use the specified engine oil. Failure to use the specified engine oil can cause accelerated wear and/or shorten the life of the engine.

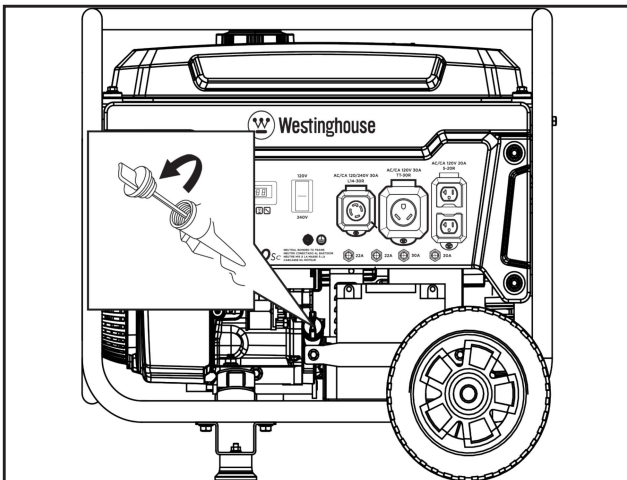
When using the generator under dirty, dusty conditions or in extremely hot weather, change the oil more frequently.

Ambient air temperature will affect engine oil performance. Change the type of engine oil used based on weather conditions.

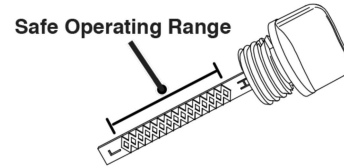
Recommended Engine Oil Type									
		10W-30							
5W-30							10W-40		
5W-30 Synthetic									
°F	-20	0	20	40	60	80	100	120	
°C	-28.9	-17.8	-6.7	4.4	15.6	26.7	37.8	48.9	
Ambient temperature									

Check the engine oil level before each use or every 8 hours of operation.

1. Place the generator on a level surface and allow the engine to cool for several minutes.
2. With a damp rag, clean around the oil dipstick.
3. Remove the oil dipstick and wipe the dipstick clean.



4. Insert the dipstick into the oil filler neck without screwing it in. Remove the dipstick and verify that the oil level is within safe operating range between the low (L) and high (H) marks on the dipstick.

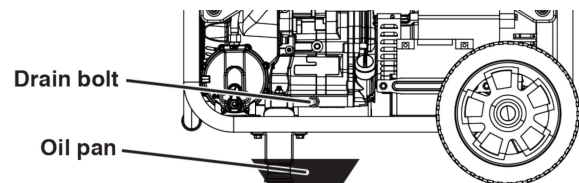


5. If low, add recommended engine oil incrementally and recheck until the level is between the L and H marks on the dipstick. **DO NOT** overfill. If over the H mark on the dipstick, drain the oil to reduce the oil level to the full mark.
6. Replace the oil dipstick and hand-tighten.

ENGINE OIL CHANGE

When using the generator under dirty, dusty conditions or in extremely hot weather, change the oil more frequently. Change the oil while the engine is still warm from operation.

1. Place the generator on a level surface and allow the engine to cool for several minutes.
2. With a damp rag, clean around the oil dipstick. Remove the dipstick and wipe clean.
3. Place an oil pan (or suitable container) under the oil drain bolt.
4. Using a 10mm wrench, remove the oil drain bolt and allow the oil to drain.



5. Install the oil drain bolt and tighten securely.

Note: A new oil drain plug crush washer is recommended at each oil change.

6. Slowly pour oil into the oil filler neck until oil the level is between the L and H marks on the dipstick. Stop frequently to check the oil level. **DO NOT** overfill.

Maximum oil capacity: 0.74 Quart (0.7 Liter)

7. Install the oil dipstick and hand-tighten.

NOTICE

DO NOT pollute. Follow the guidelines of the EPA or other governmental agencies for proper disposal of hazardous materials. Consult local authorities or reclamation facility.

MAINTENANCE

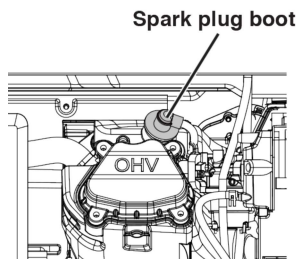
SPARK PLUG MAINTENANCE

Inspect and clean the spark plug after every 100 hours of use or six months. Replace the spark plug after 300 hours of use or every year.

NOTICE

ALWAYS use the Westinghouse OEM or compatible non-resistor-type spark plug. Use of resistor-type spark plug can result in rough idling, misfire, or may prevent the engine from starting.

1. Place the generator on a level surface and allow the engine to cool.
2. Remove the spark plug boot by firmly pulling the spark boot directly away from the engine.



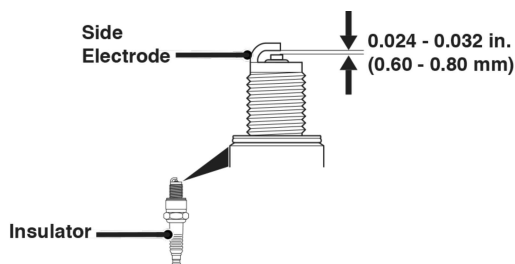
3. Clean the area around the spark plug.
4. Remove the spark plug with the included spark plug socket wrench.

NOTICE

NEVER apply any side load or move the spark plug laterally when removing the spark plug.

5. Inspect the spark plug. Replace if electrodes are pitted, burned, or the insulator is cracked. Only use a recommended replacement plug.
6. Measure the spark plug electrode gap with a wire-type feeler gauge. If necessary, correct the gap by carefully bending the side electrode.

Spark plug gap: 0.024 – 0.032 in. (0.60 – 0.80 mm)

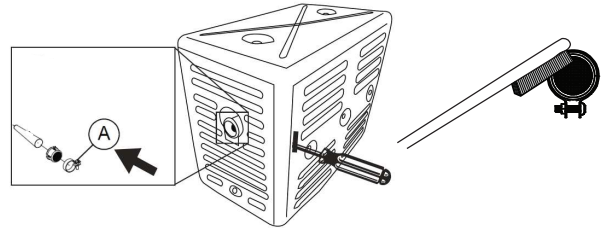


7. Carefully install the spark plug finger tight, then tighten as additional 3/8 to 1/2 turn with the spark plug wrench.
8. Attach the spark plug boot.

SPARK ARRESTOR SERVICE

Allow the muffler to cool completely before servicing the spark arrestor. Check and clean the spark arrestor after every 100 hours of use or six months. Failure to clean the spark arrestor will result in degraded engine performance.

1. Place the generator on a level surface.
2. Slide in screwdriver into side slot and remove screw holding clamp (A) on spark arrestor. Pull out spark arrestor assembly.



3. Carefully remove the carbon deposits from the spark arrestor screen with a wire brush. The spark arrestor must be free of breaks and tears. Replace the spark arrestor if damaged.
4. Reinstall the spark arrestor.

STORAGE

Proper storage preparation is required for trouble-free operation and generator longevity.

NOTICE

Gasoline stored for as little as 30 days can deteriorate, causing gum, varnish, and corrosive buildup in fuel lines, fuel passages, and the engine. This corrosive buildup restricts the flow of fuel, which can prevent the engine from starting after a prolonged storage period. The use of fuel stabilizer significantly increases the storage life of gasoline. Full-time use of fuel stabilizer is recommended. Follow the manufacturer's instructions for use.

STORAGE TIME	RECOMMENDED PROCEDURE
Less than 1 month	No service required.
2 to 6 months	Fill with fresh gasoline and add gasoline stabilizer. Drain the carburetor float bowl.
6 months or longer	Drain the fuel tank and carburetor float bowl.

MAINTENANCE

SHORT TERM STORAGE

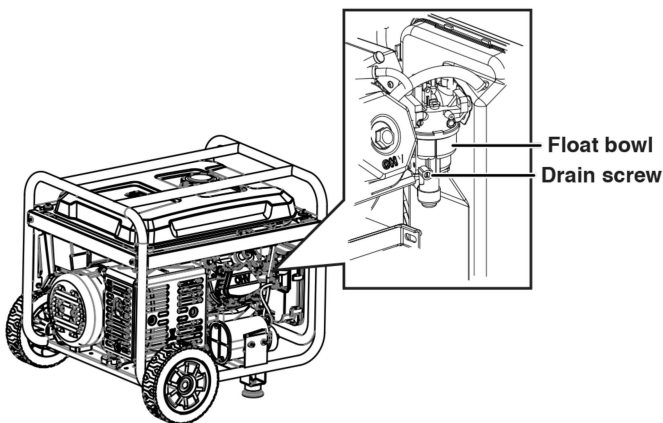
- Allow the generator to cool a minimum of 30 minutes before storage.
- Replace all protective covers on the generator control panel.
- Wipe the generator with a moist cloth. Clean any debris from the muffler cooling vents.
- Store the generator in a well-ventilated, dry location away from sparks, open flames, pilot lights, heat, and other sources of ignition such as areas with a spark-producing electric motor or where power tools are operated.
- **DO NOT** store the generator, or gasoline near furnaces, water heaters, or any other appliances that produce heat or have automatic ignitions.
- With the engine and exhaust system cool and all surfaces dry, cover the generator to keep out dust. **DO NOT** use a plastic sheet as a dust cover. Non-porous materials trap moisture and promote rust and corrosion.

LONG TERM STORAGE

Even properly stabilized fuel can leave residue and cause corrosion if left long term. If storing the generator for two to six months, drain the float bowl to prevent gum and varnish buildup in the carburetor.

DRAINING THE FLOAT BOWL

1. Turn the fuel tank valve to the OFF position.
2. Locate the drain screw on the bottom of the carburetor float bowl.



3. Place an appropriate gasoline container under the drain screw to catch the drained fuel.
4. Loosen the float bowl drain screw and allow the fuel to drain. Tighten the float bowl drain screw.

DRAINING THE FUEL TANK

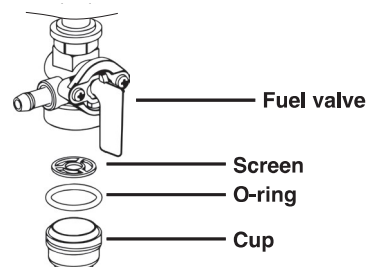
If storing the generator for longer than six months, drain the fuel tank to prevent fuel separation, deterioration, and deposits in the fuel system.

1. Unscrew the fuel tank cap. Remove the fuel screen filter by slightly compressing it while removing it from the tank.
2. Using a commercially available gasoline hand pump (not included), siphon the gasoline from the fuel tank into an approved gasoline container. **DO NOT** use an electric pump.
3. Reinstall the fuel screen filter and the fuel tank cap.
4. Start the generator and allow it to run until the generator engine stops.
5. Push the Run/Stop switch to the Stop position.
6. Remove the spark plug.
7. Put a teaspoon of engine oil into the cylinder and pull the recoil handle until resistance is felt. At this position the piston is coming up on its compression stroke and both valves are closed. Storing the engine in this position will help prevent internal corrosion. Return the recoil handle gently.
8. Reinstall the spark plug. Leave the spark plug boot disconnected to prevent accidental starting.

FUEL VALVE MAINTENANCE

The fuel valve is equipped with a fuel sediment cup, screen, and o-ring. The fuel valve does not require servicing if the unit is properly maintained with fresh, clean fuel. If fuel-related troubleshooting is required, perform fuel valve maintenance.

1. Allow the generator to cool completely.
2. Turn the fuel valve to the OFF position.
3. Remove the sediment cup from the fuel valve. Remove the o-ring and screen.



4. Wash the sediment cup, o-ring, and screen in a nonflammable solvent. Dry thoroughly.
5. Place the screen and o-ring into the fuel valve. Install

the sediment cup and tighten securely.

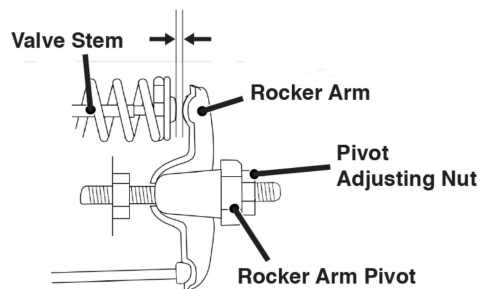
6. Turn the fuel valve to the ON position and check for leaks. Replace the fuel valve if there is any leakage.

VALVE CLEARANCE

NOTICE

Checking and adjusting valve clearance must be done when the engine is cold.

1. Remove the rocker arm cover and carefully remove the gasket. If the gasket is torn or damaged, it must be replaced.
2. Remove the spark plug so the engine can be rotated more easily.
3. Rotate the engine to top dead center (TDC) by pulling the recoil handle slowly. Looking through the spark plug hole, the piston should be at the top (both valves are closed).
4. Both the rocker arms should be loose at TDC on the compression stroke. If they are not, rotate the engine 360°.
5. Insert a feeler gauge between the rocker arm and the valve stem to measure valve clearance.



	Intake Valve	Exhaust Valve
Valve Clearance	0.0031 – 0.0047 in (0.08 – 0.12 mm)	0.0051 – 0.0067 in (0.13 – 0.17 mm)
Torque	8-12 N·m	8-12 N·m

6. If an adjustment is necessary, hold the rocker arm pivot and loosen the pivot adjusting nut.
7. Turn the rocker arm pivot to obtain the specified clearance. Hold the rocker arm pivot and re-tighten the pivot adjusting nut to the specified torque.

Torque: 106 inch-pound (12 N·m)

8. Perform this procedure for the other valve.
9. Install the gasket, rocker arm cover, and spark plug.

TROUBLESHOOTING

TROUBLESHOOTING

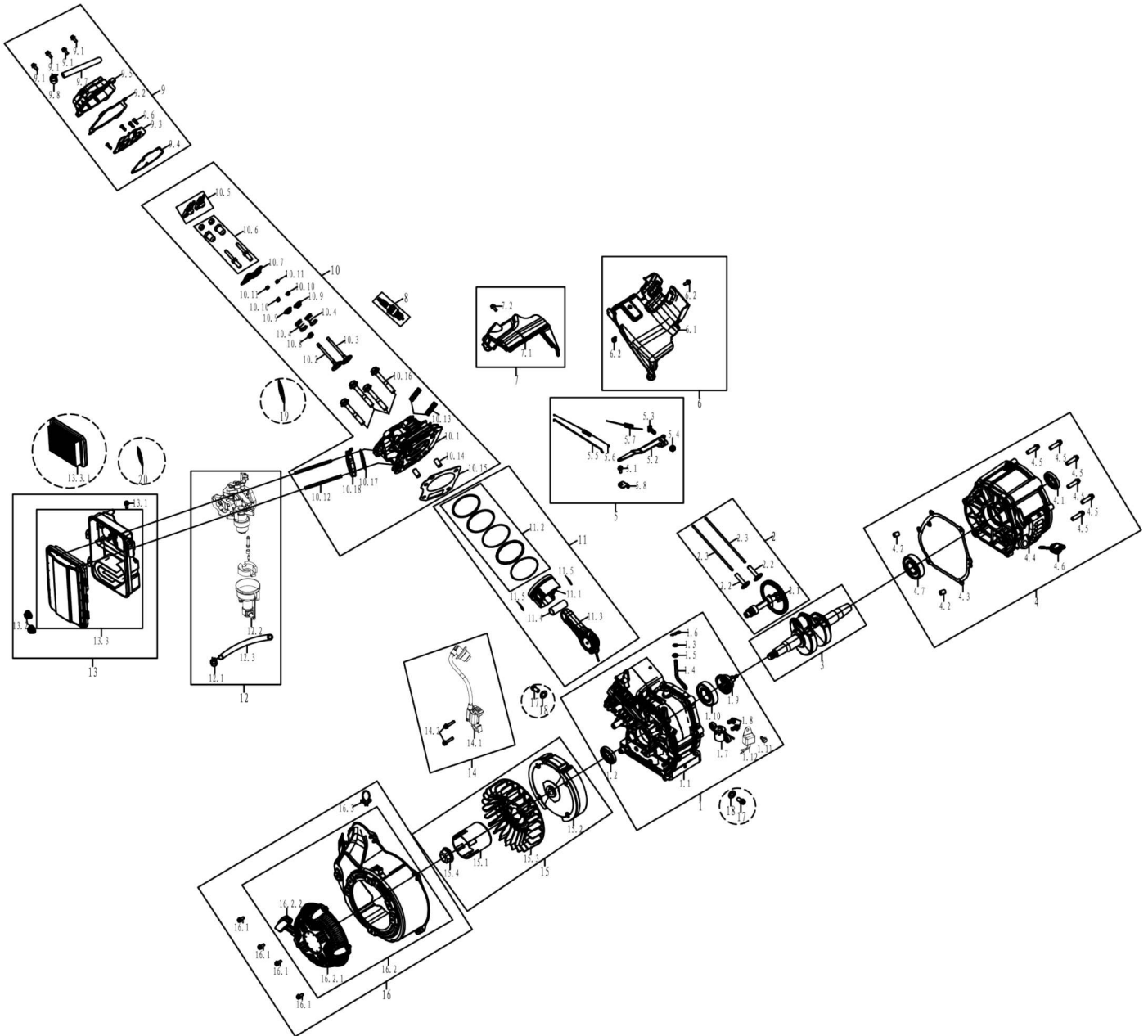
TROUBLESHOOTING

PROBLEM	POSSIBLE CAUSE	CORRECTION
Engine will not start	Battery switch in the OFF position.	Turn battery switch to the ON position.
	Out of fuel.	Refuel.
	Bad fuel, generator stored without treating or draining gasoline, or refueled with bad gasoline.	Drain the fuel tank. Refuel with fresh gasoline.
	Dirty air filter.	Clean the air filter.
	Low engine oil level stopped generator.	If low oil LED illuminated, turn battery switch to the OFF position. Add engine oil.
	Spark plug wet with fuel (flooded engine).	Wait five minutes. Turn battery switch to the OFF position. Pull recoil handle rapidly several times. If the generator does not start, remove spark plug and dry.
	Spark plug faulty, fouled, or improperly gapped.	Gap or replace the spark plug. Reinstall.
	Fuel filter restricted, fuel system malfunction, fuel pump failure, ignition malfunction, valves stuck, etc.	Contact Westinghouse customer service toll-free at 1 (855) 944-3571.
	Battery drained.	Use the recoil handle to start the generator. Charge the battery.
	Choke partially open or closed due to weak or disconnected battery.	Manually set the choke. See Maintenance section.
	CO sensor removed or modified	Return to original configuration
CO sensor activated or system fault occurred	Relocate generator/ Contact Westinghouse customer service toll free at 1 (855) 944-3571.	
Engine starts, then shuts down	Out of fuel.	Refuel.
	Incorrect engine oil level.	Check engine oil level.
	Dirty air filter.	Clean the air filter.
	Contaminated fuel.	Drain the fuel tank. Refuel with fresh gasoline.
	Defective low oil level switch.	Contact Westinghouse customer service toll-free at 1 (855) 944-3571.
Engine lacks power	Air filter restricted.	Clean or replace air filter.
	Bad fuel, generator stored without treating or draining gasoline, or refueled with bad gasoline.	Drain the fuel tank. Refuel with fresh gasoline.
	Fuel filter restricted, fuel system malfunction, fuel pump failure, ignition malfunction, valves stuck, etc.	Contact Westinghouse customer service toll-free at 1 (855) 944-3571.
Engine runs rough or bogs when load applied	Dirty air filter.	Clean the air filter.
	Generator overloaded.	Unplug some devices.
	Faulty power tool or appliance.	Replace or repair tool or appliance. Stop and restart the engine.
	Fuel filter restricted, fuel system malfunction, fuel pump failure, ignition malfunction, valves stuck, etc.	Contact Westinghouse customer service toll-free at 1 (855) 944-3571.
No power at AC receptacles	AC circuit breaker/s tripped.	Check AC loads and reset circuit breaker/s.
	Faulty power tool or appliance.	Replace or repair tool or appliance. Stop and restart the engine.
	Faulty generator.	Contact Westinghouse customer service toll-free at 1 (855) 944-3571.

EXPLODED VIEWS

EXPLODED VIEWS AND PARTS LIST

ENGINE EXPLODED VIEW



EXPLODED VIEWS

ENGINE PARTS LIST

NO.	Part #	Description
1	50120051	CRANKCASE KIT ASSEMBLY
1.1	400201	CRANKCASE
1.2	93509	CRANKCASE OIL SEAL
1.3	93520	SWING ROD OIL SEAL
1.4	403901	SWINGING ROD
1.5	96804	SWINGING ROD GASKET
1.6	383902	RETAINING CLIP
1.7	245106	OIL SENSOR
1.8	91329	BOLT M6*16 GB/T5787-1986
1.9	404301	CENTRIFUGAL GOVERNOR GEAR ASSEMBLY
1.10	93012	BEARING
1.11	91325	BOLT M6*16 GB/T5787-1986
1.12	245104	OIL PROTECTOR
2	50150010	CAMSHAFT KIT ASSEMBLY
2.1	402002	CAMSHAFT ASSEMBLY
2.2	406101	VALVE LIFTER
2.3	401901	PUSH ROD
3	400301	CRANKSHAFT
4	50200038	CRANKCASE COVER KIT ASSEMBLY
4.1	93509	CRANKCASE OIL SEAL
4.2	240904	CRANKCASE LOCATING PIN
4.3	96222	CRANKCASE SEAL WASHER
4.4	400101	CRANKCASE COVER
4.5	91347	BOLT M6*16 GB/T5787-1986
4.6	245601-295	DIPSTICK ASSEMBLY
4.7	93012	BEARING
5	50060027	SPEED CONTROL BRACKET KIT ASSEMBLY
5.1	91329	BOLT M6*16 GB/T5787-1986
5.2	404001	SPEED REGULATING ARM
5.3	91822	BOLT M6*16 GB/T5787-1986
5.4	90016	NUT M6 GB/T6177-2000
5.5	402701	THROTTLE LEVER
5.6	404201	SPRING C
5.7	404101	SPRING B
5.8	407701	SPEED CONTROL BRACKET
6	50670001	LOWER GUARD KIT ASSEMBLY
6.1	407601	LOWER GUARD
6.2	91325	BOLT M6*16 GB/T5787-1986
7	50130014	WIND-LEAD-COVER KIT ASSEMBLY
7.1	407501	WIND-LEAD-COVER
7.2	91325	BOLT M6*16 GB/T5787-1986
8	97108	SPARK PULG
9	50010030	CYLINDER HEAD COVER KIT ASSEMBLY
9.1	91329	BOLT M6*16 GB/T5787-1986
9.2	96225	CYLINDER HEAD COVER SEAL WASHER
9.3	401102	CYLINDER HEAD INTERNAL COVER

NO.	Part #	Description
9.4	96226	CYLINDER HEAD INTERNAL COVER SEAL WASHER
9.5	401101	CYLINDER HEAD COVER
9.6	92036	SCREW
9.7	95603	BLAST PIPE
9.8	94435	BLAST PIPE CLIP
10	50020068	CYLINDER HEAD KIT ASSEMBLY
10.1	401002	CYLINDER HEAD
10.2	401701	INTAKE VALVE
10.3	405901	EXHAUST VALVE
10.4	406001	VALVE SPRING
10.5	402101	ROCKING ARM
10.6	91818	BOLT M6*16 GB/T5787-1986
10.7	402201	VALVE RETAINER ASSEMBLY
10.8	241806	VALVE SEAL
10.9	241817	VALVE SPRING RETAINER
10.10	329930	VALVE LOCK CLIP
10.11	241804	TOP CAP
10.12	91022	DOUBLE END BOLT M6*95
10.13	91007	DOUBLE END BOLT M6*95
10.14	400901	CYLINDER HEAD LOCATING PIN
10.15	96223	CYLINDER HEAD GASKET
10.16	91452	BOLT M6*16 GB/T5787-1986
10.17	96235	GASKET
10.18	402301	CARBURETOR CONNECTION BLOCK
11	50050021	PISTON & PISTON RING KIT ASSEMBLY
11.1	401201	PISTON
11.2	401601	PISTON RING ASSEMBLY
11.3	401501	CONNECTING ROD ASSEMBLY
11.4	405501	PISTON PIN
11.5	241301	PISTON PIN RING
12	50040093	CARBURETOR KIT ASSEMBLY
12.1	94403	FUEL HOSE CLIP 7.5
12.2	402801-295	CARBURETOR ASSEMBLY
12.3	95407L	FUEL HOSE
13	50030057	AIR FILTER ASSEMBLY
13.1	91329	BOLT M6*16 GB/T5787-1986
13.2	90016	NUT M6 GB/T6177-2000
13.3	402901	AIR FILTER ASSEMBLY
13.3.1	5941	FILTER ELEMENT
14	50100034	IGNITER KIT ASSEMBLY
14.1	97514	IGNITER
14.2	91331	BOLT M6*16 GB/T5787-1986
15	50180016	FLYWHEEL KIT ASSEMBLY
15.1	244508	STARTER PULLY
15.2	240401	FLYWHEEL ASSEMBLY
15.3	404601	IMPELLER

EXPLODED VIEWS

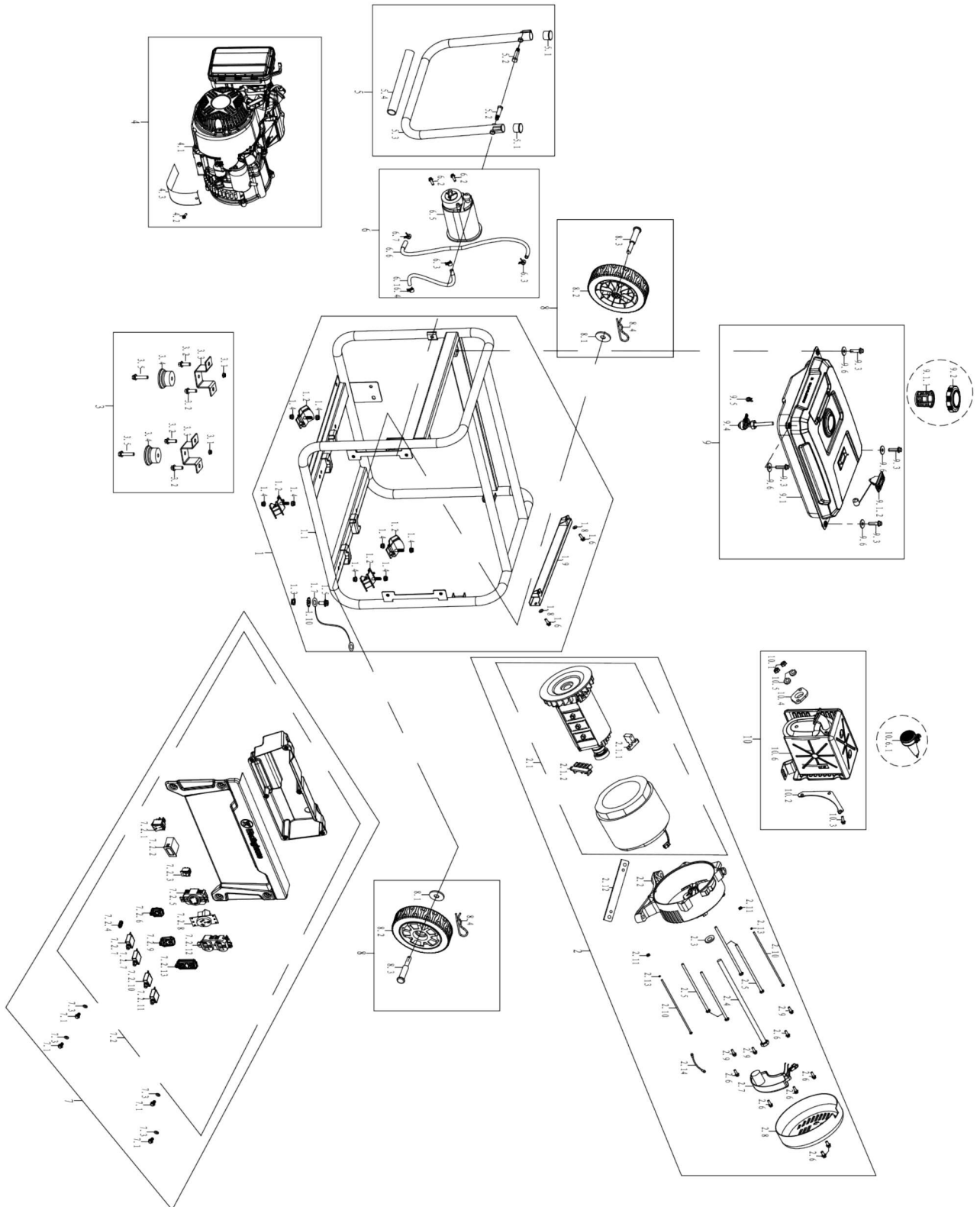
ENGINE PARTS LIST CONTINUED

NO.	Part #	Description
15.4	90003	NUT M6 GB/T6177-2000
16	50090058	RECOIL STARTER KIT ASSEMBLY
16.1	91325	BOLT M6*16 GB/T5787-1986
16.2	404706-221A	RECOIL STARTER ASSEMBLY
16.2.1	5943	RECOIL HANDLE
16.2.2	5942-221	RECOIL COVER
16.3	260801	Q-SHAPE CABLE CLIP
17	91816	BOLT M6*16 GB/T5787-1986
18	94007	OIL DRAIN BOLT WASHER
19	96224	GASKET
20	94324	STEEL WASHER

EXPLODED VIEWS

GENERATOR EXPLODED VIEW

- 11
- 12
- 13
- 14



EXPLODED VIEWS

GENERATOR PARTS LIST

NO.	PART #	DESCRIPTION
1	60070054	FRAME KIT ASSEMBLY
1.1	774053-116	FRAME
1.2	531318	ISOLATION SUPPORT
1.3	90016	NUT M6
1.4	90018	NUT M8
1.5	91325	BOLT M6X12
1.6	91327	BOLT M6X12
1.7	544301	FRAME WIRE
1.8	96120	PAPER WASHER
1.9	530324-116	MOVABLE RECTANGLE PIPE
1.10	94002	TOOTH WASHER 6
2	60580022	ALTERNATOR KIT ASSEMBLY
2.1	755066	ALTERNATOR ASSEMBLY
2.1.1	599019	CARBON BRUSH
2.1.2	6560	TERMINAL ASSEMBLY
2.2	532306	ALTERNATOR TAIL BRACKET
2.3	96813	GASKET 10.5x?30x4
2.4	91721	BOLT M10X1.25X225
2.5	91619	BOLT M6X140
2.6	91322	BOLT M5X12
2.7	534309	AVR
2.8	533302-221	ALTERNATOR TAIL COVER
2.9	91323	BOLT M5X16
2.10	91513	BOLT M5X175
2.11	90009	NUT M5
2.12	532303-052	TAIL BRACKET FIXING PLATE
2.13	94204	SPRING WASHER 5
2.14	544604	GROUNDING WIRE
3	60150028	FOOT BRACKET KIT ASSEMBLY
3.1	90023	NUT M6
3.2	91343	BOLT M8X16
3.3	525314-116	FOOT BRACKET ASSEMBLY
3.4	531115	FOOT BRACKET ISOLATION SUPPORT
3.5	91333	BOLT M6X28
4	60590014	ENGINE KIT ASSEMBLY
4.1	1148274110023	ENGINE ASSEMBLY DH275
4.2	91322	BOLT M5X12
4.3	539602	CRANKCASE COVER SHIELD
5	60180034	HANDLE WELDING KIT ASSEMBLY
5.1	527613	HANDLE PLUG
5.2	527611	HANDLE MOUNTING BOLT
5.3	526639-116	HANDLE
5.4	528609	HANDLE RUBBER SLEEVE
6	60570005	CARBON CANISTER KIT ASSEMBLY
6.1	95021	CARBON CANISTER AND AIR FILTER CONNECTING PIPE

NO.	PART #	DESCRIPTION
6.2	91327	BOLT M6X12
6.3	94402	FUEL HOSE CLIP 8.5
6.4	94408	FUEL HOSE CLIP 10
6.5	543601L	CARBON CANISTER ASSEMBLY
6.6	95020	CARBON CANISTER AND FUEL TANK CONNECTING PIPE
6.7	94423	FUEL HOSE CLIP 9
7	60040074	PANEL KIT ASSEMBLY
7.1	91327	BOLT M6X12
7.2	714356	PANEL ASSEMBLY
7.2.1	6501	ENGINE SWITCH
7.2.2	6041	TIME ACCUMULATOR
7.2.3	6508	VOLTAGE SELECTION SWITCH
7.2.4	6386	GROUND TERMINAL ASSEMBLY
7.2.5	6385	L14-30R RECEPTACLE
7.2.6	6848	WATERPROOF CAP
7.2.7	6441-22	THERMAL PROTECTOR
7.2.8	6015	RV SOCKET
7.2.9	6849	WATERPROOF CAP
7.2.10	6441-30	THERMAL PROTECTOR
7.2.11	6441-20	THERMAL PROTECTOR
7.2.12	6032	L5-20R RECEPTACLE
7.2.13	6846	WATERPROOF CAP
7.3	96120	PAPER WASHER
8	60060028	WHEEL KIT ASSEMBLY
8.1	94224	FLAT WASHER
8.2	523308	WHEEL
8.3	524320	AXLE
8.4	548302	COTTER PIN
9	60010043	FUEL TANK KIT ASSEMBLY
9.1	700271L-116	FUEL TANK
9.1.1	518801	FUEL TANK FILTER
9.1.2	6785	FUEL GAUGE
9.2	519215	FUEL CAP
9.3	91307	BOLT M6X25
9.4	518202	FUEL SWITCH
9.5	94403	FUEL HOSE CLIP
9.6	96801	FUEL TANK GASKET
10	60030033	EXHAUST MUFFLER KIT ASSEMBLY
10.1	90011	NUT M8
10.2	520308	MUFFLER MOUNTING BRACKET
10.3	91343	BOLT M8X16
10.4	96252	EXHAUST GASKET
10.5	94206	SPRING WASHER 8
10.6	705658	MUFFLER
10.6.1	6790	SPARK ARRESTER
11	99010	SPARK PLUG SLEEVE

EXPLODED VIEWS

GENERATOR PARTS LIST CONTINUED

NO.	PART #	DESCRIPTION
12	500942	FUNNEL
13	99025	WRENCH
14	99616	OIL BOTTLE ASSEMBLY

SCHEMATICS

SCHEMATICS

SCHEMATICS

