

# ***WGen12000c***

## **Portable Generator**

**Gasoline: 12,000 Running Watts | 15,000 Peak Watts**

**DO NOT RETURN THIS PRODUCT TO THE STORE**

If you have questions or need assistance, please call customer service at 855-944-3571.

# INTRODUCTION

## INTRODUCTION

### TABLE OF CONTENTS

#### INTRODUCTION

DISCLAIMERS .....	2
ALL RIGHTS RESERVED .....	2
SPECIFICATIONS .....	3
<b>SAFETY</b>	
SAFETY DEFINITIONS .....	4
SAFETY SYMBOLS .....	4
SAFETY INSTRUCTIONS .....	5
SAFETY LABELS AND DECALS .....	7
CO SENSOR .....	8
ACTION LABEL .....	8
CONTROL PANEL CO AUTO-SHUTOFF .....	8
<b>COMPONENTS</b>	
GENERATOR COMPONENTS .....	9
CONTROL PANEL COMPONENTS .....	10
DATA CENTER .....	11
MAINTENANCE REMINDERS .....	11
<b>ASSEMBLY</b>	
UNPACKING .....	12
CARTON CONTENTS .....	12
INSTALL WHEELS AND LIFTING BRACKET .....	12
INITIAL OIL FILL .....	13
BATTERY INSTALLATION .....	13
FUEL .....	14
GROUNDING .....	14
<b>OPERATION</b>	
GENERATOR LOCATION .....	16
HIGH ALTITUDE OPERATION .....	16
REMOTE START .....	16
BREAK-IN PERIOD .....	17
LOW IDLE .....	17
BEFORE STARTING THE GENERATOR .....	17

**⚠ WARNING:** Operating, servicing, and maintaining this equipment can expose you to chemicals including engine exhaust, carbon monoxide, phthalates, and lead, which are known to the State of California to cause cancer and birth defects or other reproductive harm. To minimize exposure, avoid breathing exhaust, and wear gloves or wash your hands frequently when servicing this equipment. For more information go to [www.P65warnings.ca.gov](http://www.P65warnings.ca.gov).

#### DISCLAIMERS

All information, illustrations, and specifications in this manual were in effect at the time of publishing. The illustrations used in this manual are intended as representative reference views only. We reserve the right to make any specification or design change without notice.

STARTING THE ENGINE .....	17
STOPPING THE ENGINE .....	18
FREQUENCY OF USE .....	18
AC CIRCUIT BREAKERS .....	18
POWER MANAGEMENT .....	19
EXTENSION CORDS .....	19
ST SWITCH .....	20
TRANSPORTING .....	20
MAINTENANCE SCHEDULE .....	22
MAINTENANCE REPLACEMENT PARTS .....	22
AIR FILTER MAINTENANCE .....	22
ENGINE OIL CHANGE .....	23
SPARK PLUG MAINTENANCE .....	24
SPARK ARRESTOR SERVICE .....	24
FUEL FILTER .....	24
BATTERY MAINTENANCE .....	25
BATTERY REPLACEMENT .....	25
STORAGE .....	25
VALVE CLEARANCE .....	26
TROUBLESHOOTING .....	27

#### EXPLODED VIEWS AND PARTS LISTS

ENGINE EXPLODED VIEW .....	28
ENGINE PARTS LIST .....	29
ENGINE PARTS LIST CONTINUED .....	31
GENERATOR EXPLODED VIEW .....	32
GENERATOR PARTS LIST .....	33
.....	33
GENERATOR PARTS LIST CONTINUED .....	34
.....	34

#### SCHEMATICS


SCHEMATICS .....	35
------------------	----

<b>ESPAÑOL</b> .....	36
----------------------	----

<b>FRANÇAIS</b> .....	65
-----------------------	----

#### ALL RIGHTS RESERVED

All rights reserved. No reproduction allowed in any form without written permission from Westinghouse Outdoor Power Equipment.

<b>⚠ DANGER</b>	
	Read this manual before using or performing maintenance on this product. Failure to follow the instructions and safety precautions in this manual can result in serious injury or death.

## SAVE THESE INSTRUCTIONS

# INTRODUCTION

## SPECIFICATIONS

Specifications	
Running Watts:	12,000
Peak Watts:	15,000
Rated Voltage:	120/240V
Rated frequency:	60 Hz @ 3600 RPM
Phase:	Single phase
Total Harmonic Distortion:	≤ 5%
Engine Displacement:	713 cc
Starting Type:	Recoil, Electric Start, Remote
Fuel Capacity:	10.5 Gallons (40 Liter)
Fuel Type:	Unleaded gasoline 87–93 octane*
Oil Capacity:	1.7 US Quart (1.6 Liter)
Oil Type:	SAE 10W-30
Spark Plug:	TORCH F7TC
Spark Plug Gap:	0.024 – 0.032 in. (0.60 – 0.80 mm)
Valve Intake Clearance:	0.0031 – 0.0047 in. (0.08 – 0.12 mm)
Valve Exhaust Clearance:	0.0051 – 0.0067 in. (0.13 – 0.17 mm)
Battery:	511092
AC Grounding System:	Bonded to frame
Voltage Regulator:	AVR
Alternator Type:	Brushed
Maximum Ambient Temperature:	104°F (40°C)
Certifications:	• EPA • CARB

\*Ethanol content of 10% or less. DO NOT use E15 or E85.

## UPDATES

The latest User Manual for your Westinghouse generator can be found under our support tab. <https://westinghouseoutdoorpower.com/pages/manuals>

Or scan the following QR code with your smartphone camera to be directed to the link.



## NOTICE

This product is designed and rated for continuous operation at ambient temperatures up to 104°F (40°C). If needed, this product can be operated at temperatures ranging from 5°F (-15°C)–122°F (50°C) for short periods. If the product is exposed to temperatures outside of this range during storage, it should be brought back within this range before operation. This product must always be operated outdoors in a well-ventilated area and far away from doors, windows, and other vents.

Maximum wattage and current are subject to and limited by such factors as fuel BTU content, ambient temperature, altitude, engine conditions, etc. Maximum power decreases about 3.5% for each 1,000 feet above sea level, and will also decrease about 1% for each 10°F (6°C) above 60°F (16°C) ambient temperature.

## PRODUCT REGISTRATION

For trouble-free warranty coverage, it is important to register your Westinghouse generator.

You can register by:

- Completing and mailing the product registration card included in the carton.
- Registering your product online at: <https://westinghouseoutdoorpower.com/pages/warranty-registration>
- Scan the following QR code with your smartphone camera to be directed to the mobile registration link.



- Sending the following product information to:

Westinghouse Outdoor Power  
Warranty registration  
777 Manor Park Drive  
Columbus, OH 43228

## For Your Records

Date of Purchase: \_\_\_\_\_

Model Number: \_\_\_\_\_

Serial Number: \_\_\_\_\_

Place of Purchase: \_\_\_\_\_

**IMPORTANT:** Keep your purchase receipt for trouble-free warranty coverage.

# SAFETY

## SAFETY

### SAFETY DEFINITIONS

The words DANGER, WARNING, CAUTION, and NOTICE are used throughout this manual to highlight important information. Make sure that the meanings of this safety information is known to all who operate, perform maintenance on, or are near the generator.



**This safety alert symbol appears with most safety statements. It means attention, be alert, your safety is involved! Please read and abide by the message that follows the safety alert symbol.**

#### **▲ DANGER**

**Indicates a hazardous situation which, if not avoided, will result in death or serious injury.**

#### **▲ WARNING**

**Indicates a hazardous situation which, if not avoided, could result in death or serious injury.**

#### **▲ CAUTION**

**Indicates a hazardous situation which, if not avoided, could result in minor or moderate injury.**

#### **NOTICE**

**Indicates a situation which can cause damage to the generator, personal property, and/or the environment, or cause the equipment to operate improperly.**

**Note:** Indicates a procedure, practice or condition that should be followed for the generator to function in the manner intended.

### SAFETY SYMBOLS

Follow all safety information contained in this manual and on the generator.

Symbol	Description
	Safety Alert Symbol
	Electrocution Hazard
	Asphyxiation Hazard
	Burn Hazard. Do not touch hot surfaces.
	Electrical Shock Hazard
	Fire Hazard
	Maintain Safe Distance
	Lifting Hazard
	Read Manufacturer's Instructions
	Do Not Operate in Wet Conditions

### ▲ DANGER

Using a generator indoors CAN KILL YOU IN MINUTES. Generator exhaust contains carbon monoxide. This is a poison you cannot see or smell.

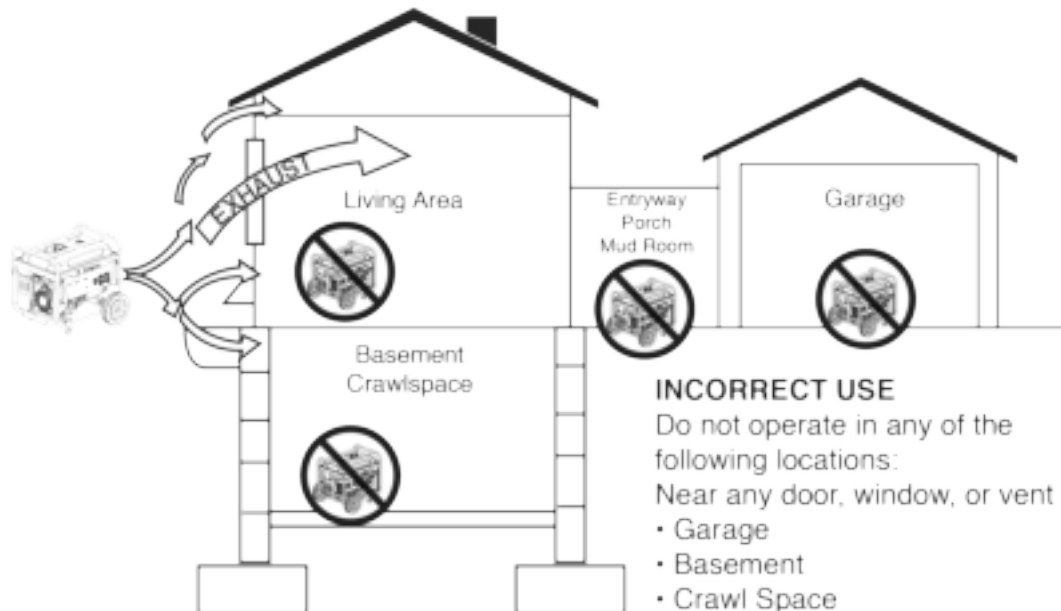
NEVER use inside a home or garage, EVEN IF doors and windows are open.

Only use OUTSIDE and far away from windows, doors, and vents.

## SAFETY INSTRUCTIONS

### CORRECT USE

Example location to reduce risk of carbon monoxide poisoning  
ONLY use OUTSIDE and downwind, far away from windows, doors and vents. Direct exhaust away from occupied spaces



### INCORRECT USE

Do not operate in any of the following locations:

Near any door, window, or vent

- Garage
- Basement
- Crawl Space
- Living Area
- Attic
- Entry Way
- Porch
- Mudroom

### NOTICE

Install battery-powered carbon monoxide detectors or plug-in carbon monoxide detectors with battery back-up in living areas.

### ⚠ DANGER

Fire and electrocution hazard. **DO NOT** connect to a building's electrical system unless the generator and transfer switch have been properly installed and the electrical output has been verified by a qualified electrician. The connection must isolate the generator power from utility power and must comply with all applicable laws and electrical codes.

### ⚠ DANGER

Electrocution hazard. Never use the generator in a location that is wet or damp. Never expose the generator to rain, snow, water spray, or standing water while in use. Protect the generator from all hazardous weather conditions. Moisture or ice can cause a short circuit or other malfunction in the electrical circuit.

# SAFETY

---

## GENERAL SAFETY PRECAUTIONS

- **Never** use the generator to power medical support equipment.
- **DO NOT** operate the generator when you are tired or under the influence of drugs, alcohol, or medication.
- When this generator is used to supply a building wiring system the generator must be installed by a qualified electrician and connected to a transfer switch as a separately derived system in accordance with NFPA 70, National Electrical Code.
- Only use **OUTSIDE** and far away from windows, doors, and vents as recommended by the US Department of Health and Human Services Centers for Disease Control and Prevention. Your specific home and/or wind conditions may require additional distance.
- If you begin to feel sick, dizzy, or weak while using the generator, move to fresh air **IMMEDIATELY**. See a doctor, as you can have carbon monoxide poisoning.
- While operating and storing, keep at least five feet of clearance on all sides of the generator, including overhead. Allow the generator to cool a minimum of 30 minutes before storage. Heat created by the muffler and exhaust gases could be hot enough to cause serious burns and/or ignite combustible objects.
- **DO NOT** use generator with electrical cords which are worn, frayed, bare, or otherwise damaged.
- All electrical tools and appliances operated from this generator must be properly grounded by use of a third wire or be double-insulated.
- **DO NOT** touch the muffler or engine. They are very **HOT** and will cause severe burns. Do not put body parts or any flammable or combustible materials in the direct path of the exhaust.
- **ALWAYS** remove any tools or other service equipment used during maintenance from the generator before operating.
- Avoid skin contact with engine oil or gasoline. Wear protective clothing and equipment. Wash all exposed skin with soap and water.

## FUEL SAFETY

- Store fuel in a container approved for gasoline.
- Do not smoke when filling the generator with gasoline.
- Wear eye protection while refueling.
- Never remove the fuel cap when the generator is running. Shut off the engine and allow the unit to cool at least five minutes. Remove the fuel cap slowly to release pressure, keep fuel from escaping around the cap, and to avoid the heat from the muffler igniting fuel vapors. Tighten the fuel cap securely after refueling.
- Never overfill the fuel tank. Leave room for fuel to expand. Overfilling the fuel tank can result in a sudden overflow of gasoline and result in spilled gasoline coming in contact with **HOT** surfaces.
- Spilled fuel can ignite. If fuel is spilled on the generator, wipe up any spills immediately. Dispose of rag properly. Allow area of spilled fuel to dry before operating the generator.
- Store any containers containing gasoline in a well-ventilated area, away from any combustibles or source of ignition.

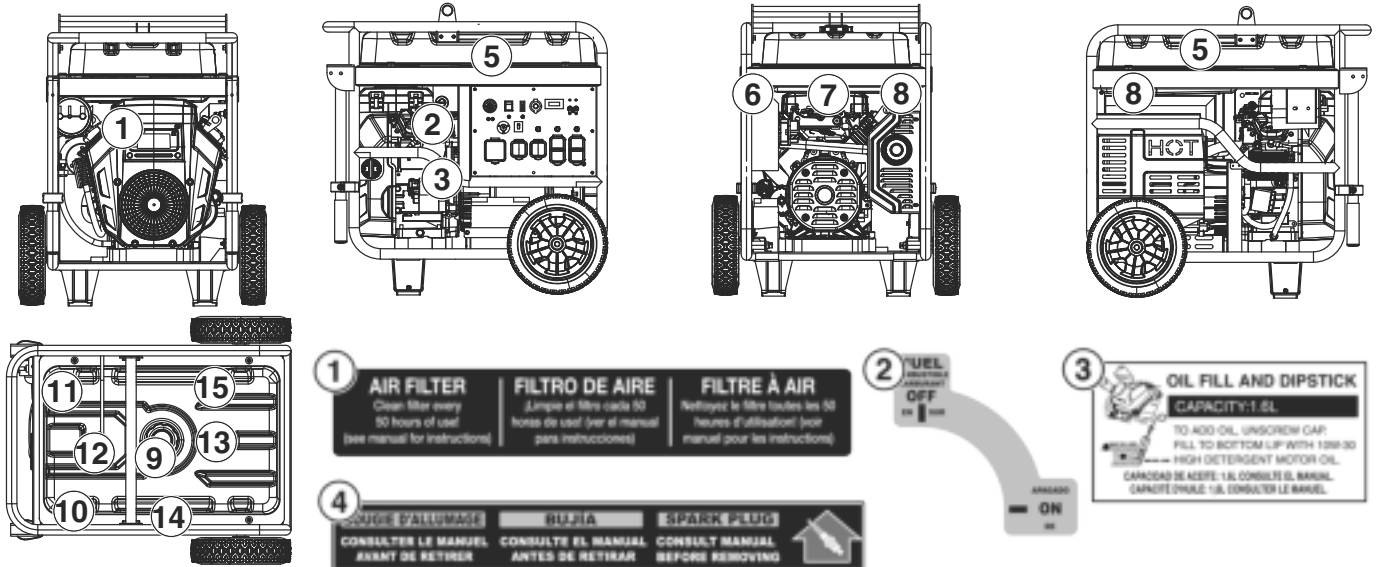
## GASOLINE AND GASOLINE VAPOR

### **DANGER**

Fire and explosion hazard. Gasoline is highly explosive and flammable and can cause severe burns or death.

- Gasoline is highly flammable and explosive.
- Gasoline can cause a fire or explosion if ignited.
- Gasoline is a skin irritant and needs to be cleaned up immediately if it comes in contact with the skin.
- Gasoline has a distinctive odor, this will help detect potential leaks quickly.
- In any petroleum gas fire, flames should not be extinguished unless by doing so the fuel supply valve can be turned **OFF**. This is because if a fire is extinguished and a supply of fuel is not turned **OFF**, then an explosion hazard could be created.
- Gasoline expands or contracts with ambient temperatures. Never fill the gasoline tank to full capacity, as gasoline needs room to expand if temperatures rise.

## SAFETY LABELS AND DECALS



**1 AIR FILTER**  
Clean filter every 50 hours of use! (see manual for instructions)

**FILTRO DE AIRE**  
Limpie el filtro cada 50 horas de uso! (ver el manual para instrucciones)

**FILTRE À AIR**  
Nettoyez le filtre toutes les 50 heures d'utilisation! (voir manuel pour les instructions)

**2 FUEL**  
OFF

ARRABADO  
ON

**3 OIL FILL AND DIPSTICK**  
CAPACITY: 1.6L

TO ADD OIL, UNSCREW CAP. FILL TO BOTTOM LIP WITH 15W-30 HIGH DETERGENT MOTOR OIL. CAPACIDAD DE ACEITE: 1.6L. CONSULTE EL MANUAL. CAPACITÉ D'HUILE: 1.6L. CONSULTEZ LE MANUEL.

**4**

CONSULTEZ LE MANUEL | CONSULTA EL MANUAL | CONSULT MANUAL

ARRASTRE DE RETIRAR | ANTES DE RETIRAR | BEFORE REMOVING

**6**

1-855-944-3571

3 YEAR WARRANTY

**7 Westinghouse**

Rev. Level / Revision		Power (Rated) / Potencia (Nom.)	12000W	Inul. Class / Clase Inul.	H
Phase	Single	Power (Peak) / Potencia (Punta)	15000W	Max Amb. Temp. / Temp. Amb. Max.	40°C (104°F)
AC Voltage / Tensión CA	120/240V	Frequency / Frecuencia	60Hz	Duty Service	S1
AC Current / Intensidad CA	100/50A	RPM / TR/MIN.	3600rpm	Power Factor / Factor de potencia	1.0

Serial No./No. De Serie

Register your product

**8 CAUTION HOT SURFACES**  
PRECAUCIÓN SUPERFICIES CAJENTES  
ATTENTION AUX SURFACES CHAUDES

**9 10.5 Gal 40L**  
USE FUEL STABILIZER FOR STORAGE

**10 WARNING** Cancer and reproductive harm  
www.P30Warnings.ca.gov/product

ADVERTENCIA: Cáncer y problemas de reproducción  
www.P30Warnings.ca.gov/product

ADVERTENCIA: Cáncer y daños al sistema reproductor  
www.P30Warnings.ca.gov/product

**12 DANGER**

GENERATOR EXHAUST CAN KILL YOU IN MINUTES. GENERATOR EXHAUST CONTAINS CARBON MONOXIDE. THIS IS A COLORLESS, TOXIC, AND SILENT KILLER.

NEVER USE INSIDE A HOME OR GARAGE. NEVER USE OUTDOOR AND FAR AWAY FROM WINDOWS, DOORS, AND VENTS.

**DANGER** Utilisez un générateur à l'extérieur. NE JAMAIS utiliser à l'intérieur d'un bâtiment ou d'un garage. NE PAS l'utiliser à l'extérieur et loin des fenêtres, portes et ventilateurs.

**PELIGRO** Si use un generador en interiores, NO JAMAIS utilizar el generador en interiores. Si se utiliza al exterior, debe estar lejos de las ventanas, puertas y bocas de ventilación.

**13 FULLY COMPLETED FUEL**

EMPTY FUEL TANK

**15 ACTION LABEL**

**AUTOMATIC SHUTOFF - YOU MUST:**  
ETIQUETA DE FUNCIONAMIENTO

- MOVE GENERATOR TO AN OPEN, OUTDOOR AREA.
- POINT EXHAUST AWAY.
- DON'T RUN GENERATOR IN ENCLOSED AREAS (i.e., NOT IN HOUSE OR GARAGE).
- DO NOT COVER THE GENERATOR IN ANY MANNER (i.e., DO NOT COVER WITH A TARP).
- REPLACE THE GENERATOR IN AN OPEN, OUTDOOR AREA.
- NEVER COVER THE GENERATOR IN ANY MANNER (i.e., DO NOT COVER WITH A TARP).

**EXHAUST**  
EL TUBO DE ESCAPE  
L'ÉCHAPPEMENT

**AWAY**  
HACIA AFUERA  
LOIN DE VOUS

**WARNING**  
ADVERTENCIA  
AVERTISSEMENT

TAMPERING WITH CARBON MONOXIDE SENSOR COULD RESULT IN HAZARDOUS CONDITIONS.  
HACER ALTERACIONES CON SENSOR DE MONITOREO DE CARBONO PODRÍA OCASIONAR CONDICIONES PELIGROSAS.  
L'ALTERATION DE CAPTEUR DE MONOXYDE DE CARBONE PEUT ENTRAÎNER DES CONDITIONS DANGEREUSES.

**14 EZ START INSTRUCTIONS | INSTRUCCIONES DE INICIO | INSTRUCTIONS DE DÉMARRAGE**

**SHUT OFF | APAGAR | ÉTEINDRE**

## CO SENSOR

The carbon monoxide (CO) sensor monitors for the accumulation of poisonous carbon monoxide gas around the generator when the engine is running. If unsafe levels of CO gas are detected, the CO Sensor automatically shuts down the engine.

The CO Sensor will also detect the accumulation of carbon monoxide from other fuel burning sources used in the area of operation. For example, if the exhaust of fuel burning tools is pointed at a CO Sensor-equipped generator, a shut-off may be initiated due to unsafe CO levels. This is not an error. Hazardous carbon monoxide has been detected. Move and redirect any additional fuel burning sources to dissipate carbon monoxide away from personnel and occupied buildings.

**Note:** Remote start-equipped generators must be restarted with the START/STOP button on the control panel after an automatic shut-down occurs.

Generators are intended to be used outdoors, far from occupied buildings and the exhaust pointed away from personnel and buildings. If misused and operated in a location that results in the accumulation of CO, like in a partially enclosed area, the CO Sensor shuts off the engine. A RED indicator light will indicate the unit was shut down due to an unsafe level of CO being detected around the generator. Before approaching the generator allow the CO to dissipate from around the generator. The CO Sensor **DOES NOT** replace carbon monoxide alarms. Install battery-powered carbon monoxide alarm(s) in your home.

### ⚠ WARNING

Automatic shutoff accompanied with a flashing RED light in the CO Sensor portion of the control panel is an indication that the generator was improperly located. If you start to feel sick, dizzy, weak, or carbon monoxide detectors in your home indicate an alarm, get to fresh air immediately. Call emergency services. You may have carbon monoxide poisoning.

## CONTROL PANEL CO AUTO-SHUTOFF

### CARBON MONOXIDE AUTO-SHUTOFF



## CO SENSOR INDICATOR LIGHTS

Color	Description
RED	<p>Unsafe levels of carbon monoxide accumulated around the generator. After shut-off, the RED indicator light in the CO Sensor area of the control panel will flash to provide notification that the generator was shut-off due to an accumulating of unsafe CO levels. The RED light will flash for at least five minutes after a CO shut-off.</p> <p>Move the generator to an open, outdoor area far away from occupied spaces with exhaust pointed away. Once relocated to a safe area and the red light is off, the generator can be restarted. Introduce fresh air and ventilate the area where the generator had shut down.</p>
YELLOW	<p>A CO sensor system fault occurred. When a system fault occurs, the generator is automatically shut down and the YELLOW indicator light in the CO auto-shutoff area of the control panel will flash to provide notification that a fault has occurred. The YELLOW light will flash for at least five minutes after a fault. The generator can be re-started, but may continue to shutoff. A CO sensor fault can only be diagnosed and repaired by an authorized Westinghouse service center.</p>

## ACTION LABEL

**ACTION LABEL**

ETIQUETA DE FUNCIONAMIENTO  
ÉTIQUETTE D'ACTION

- MOVE GENERATOR TO AN OPEN, OUTDOOR AREA.
- POINT EXHAUST AWAY.
- DON'T RUN GENERATOR IN ENCLOSED AREAS (E.G. NET IN HOUSE OR GARAGE).
- MOVER EL GENERADOR A UN ÁREA ABIERTA, EN EXTERIORES
- ORIENTAR EL TUBO DE ESCAPE HACIA AFUERA
- NO ACTIVAR EL GENERADOR EN ÁREAS CERRADAS (P. EJ. EN UNA CASA O GARAJE)
- DÉPLACER LA GÉNÉRATRICE DANS UN ESPACE EXTÉRIEUR OUVERT
- DIRIGER L'ÉCHAPPEMENT LOIN DE VOUS
- NE PAS FAIRE FONCTIONNER LA GÉNÉRATRICE DANS DES ENDROITS FERMÉS

**WARNING**  
ADVERTENCIA  
AVERTISSEMENT

**AUTOMATIC SHUTOFF - YOU MUST:**  
ETIQUETA DE FUNCIONAMIENTO:  
ÉTIQUETTE D'ACTION:

- MOVE TO FRESH AIR.
- GET MEDICAL HELP IF SICK, DIZZY OR WEAK.
- MOVER AL AIRE LIBRE
- OBTENER ATENCIÓN MÉDICA SI SE SIENTE ENFERMO, MAREADO O DÉBIL
- VOUS RETOURNÉZ À L'AIR FRAIS
- CONSULTEZ UN MÉDECIN SI VOUS ÊTES MALADE, ÉTÖURDI OU FAIBLE

TAMPERING WITH CARBON MONOXIDE SENSOR COULD RESULT IN HAZARDOUS CONDITION  
HACER ALTERACIONES CON SENSOR DE MONITOREO DE CARBONO PODRÍA OCASIONAR CONDICIONES PELIGROSAS  
L'ALTÉRATION DE CAPTEUR DE MONOXIDE DE CARBONE PEUT ENTRÁINER DES CONDITIONS DANGEREUSES

**POINT**  
ORIENTAR  
DIRIGER

**EXHAUST**  
EL TUBO DE ESCAPE  
L'ÉCHAPPEMENT

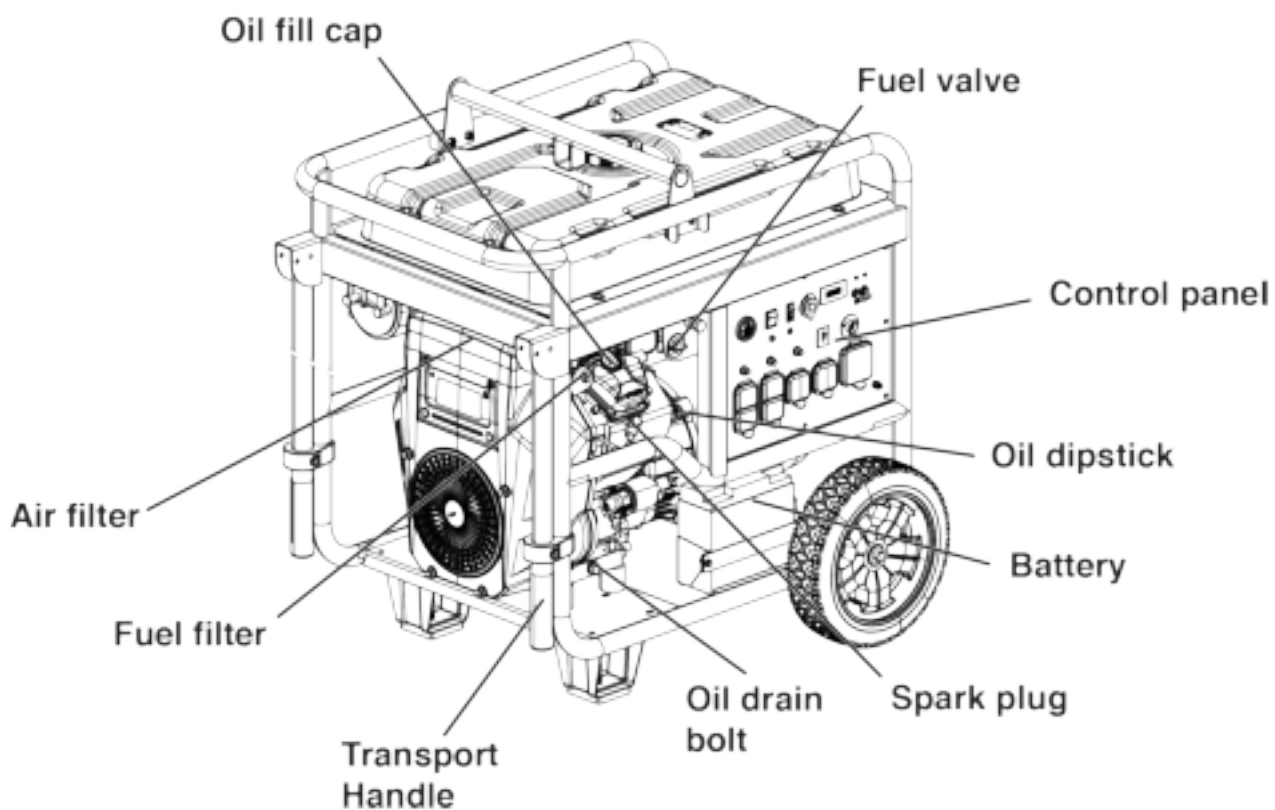
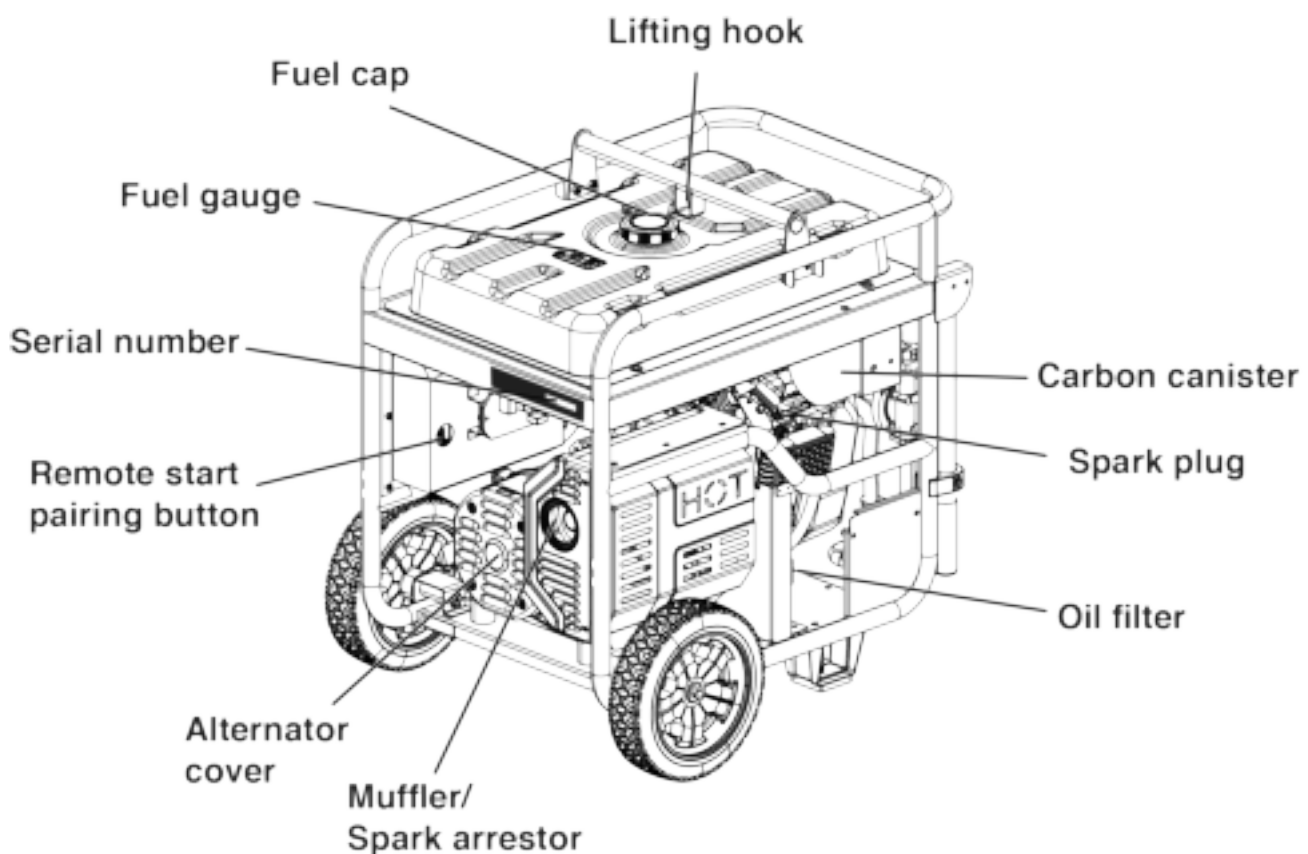
**AWAY**  
HACIA AFUERA  
LOIN DE VOUS



# COMPONENTS

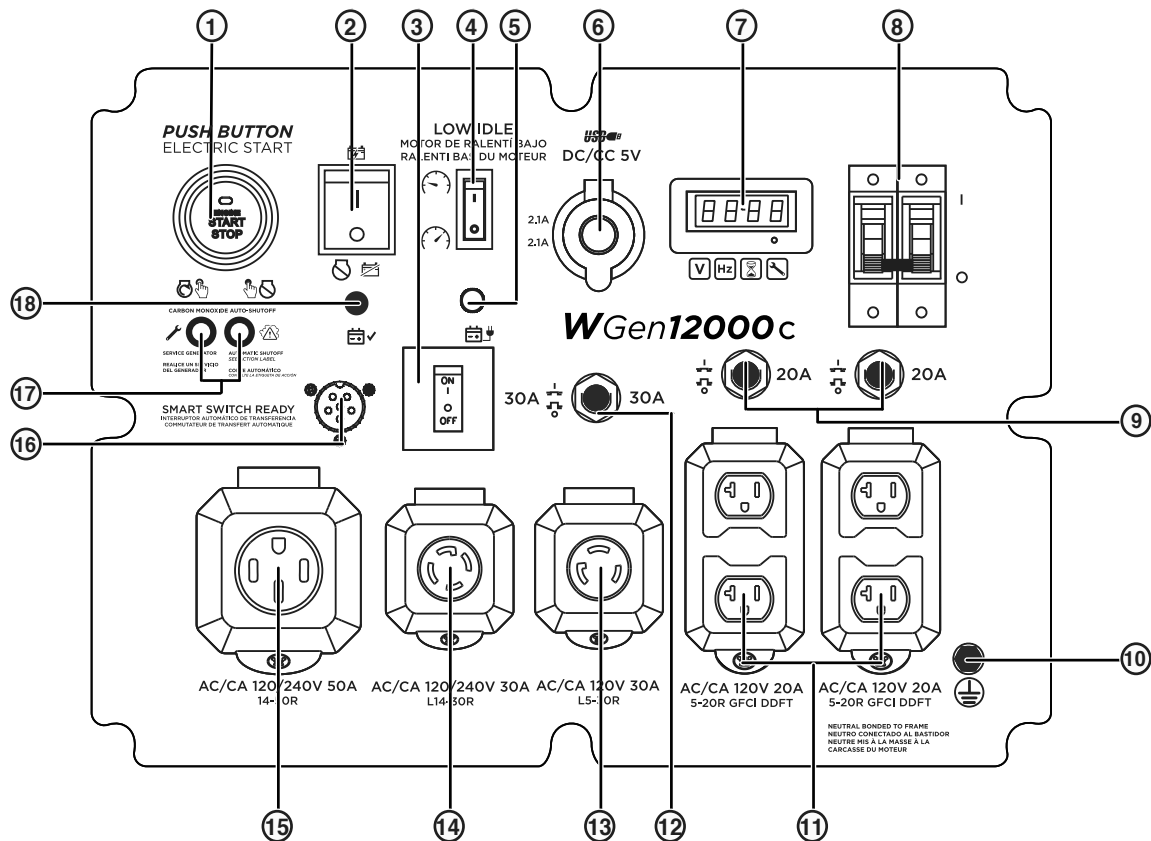
## COMPONENTS

### GENERATOR COMPONENTS



# COMPONENTS

## CONTROL PANEL COMPONENTS

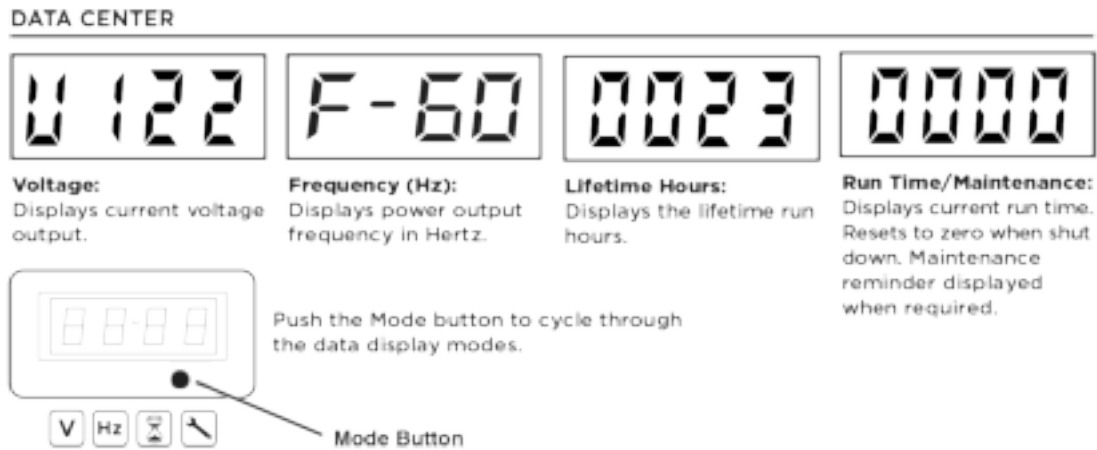


1. **Push-Button START/STOP:** Push once to automatically start the engine. Push again to stop the engine.
2. **Battery Switch:** Turns battery ON and OFF. Must be ON before electric or remote start.
3. **30 Amp AC Circuit Breaker:** Circuit breaker limits the current that can be delivered through the NEMA L14-30R receptacle to 30 amps.
4. **Low Idle Switch:** Low Idle minimizes fuel consumption, noise, and engine wear by lowering the engine RPM during intermittent use. See **LOW IDLE** section for important use considerations.
5. **Battery Charging Port:** Used to charge the battery with the included battery charger.
6. **USB Ports:** Two-port 5V/2.1A USB outlet. Accepts Type A USB plugs.
7. **VFT Data Center:** Displays voltage, frequency, total hour meter, and run/maintenance timer.
8. **Main Circuit Breaker:** The main circuit breaker controls total output of all outlets to protect the generator from overload or short circuit.
9. **20 Amp AC Circuit Breakers:** Circuit breakers limit the current that can be delivered through each NEMA 5-20R receptacle to 20 Amps.
10. **Ground Terminal:** The ground terminal is used to externally ground the generator.
11. **120-Volt AC, 20-Amp NEMA 5-20R GFCI Receptacles:** Each receptacle is capable of carrying a maximum of 20 amps on a single receptacle or a combination of both receptacles.
12. **30 Amp AC Circuit Breaker:** Circuit breaker limits the current that can be delivered through the NEMA L5-30R receptacle to 30 amps.
13. **120-Volt AC, 30-Amp NEMA L5-30R Receptacle:** Receptacle can supply a maximum of 30 Amps.
14. **120/240-Volt AC, 30-Amp NEMA L14-30R Receptacle:** Receptacle can supply either 120V or 240V up to 30 amps.
15. **120/240-Volt AC, 50-Amp NEMA 14-50R Receptacle:** Receptacle can supply either 120V or 240V up to 50 amps.
16. **Smart Switch Outlet:** Connects the Westinghouse ST Switch (sold separately) to the control panel.
17. **CO Sensor indicator lights:** The CO Sensor monitors for the accumulation of poisonous carbon monoxide gas. If increasing levels of CO gas are detected, the CO Sensor automatically shuts down the engine.
18. **Battery Indicator:** Indicates that power is ON. Light will remain illuminated while the unit is ON.

# COMPONENTS

## DATA CENTER

Use the Mode button on the Data Center to switch between displays.



## MAINTENANCE REMINDERS

Maintenance reminder codes will be shown on the Data Display based on unit lifetime hours. The maintenance codes will be displayed until the unit is turned off. Refer to the Maintenance section for specific procedures.

Maintenance Code	Required Maintenance
P25	Change engine oil/replace oil filter
P50	Change engine oil/replace oil filter, clean air filter
P100	Change engine oil/replace oil filter, clean air filter, replace fuel filter

# ASSEMBLY

## ASSEMBLY

This unit ships fully assembled from our factory without oil in the engine. It must be properly serviced with fuel and oil before operation.

If you have any questions regarding preparing your generator for initial start, contact our service team at [service@wpowereq.com](mailto:service@wpowereq.com) or call 1-855-944-3571.

## UNPACKING

### ▲ CAUTION

Weight hazard. Always have assistance when lifting the generator.

1. Place shipping carton on a solid, flat surface and carefully open the carton.
2. Remove and save the carton contents.
3. Remove and discard the packing tray.
4. Unfold the top of the plastic bag enclosing the generator.
5. Carefully cut the vertical corners of the carton to access the generator.
6. Recycle or dispose of the packaging materials properly.

## CARTON CONTENTS

- Generator
- User manual
- Quick Start Guide/Maintenance Schedule
- Remote start key fob
- 1.7 US Quart (1.6 Liter) bottle of SAE 10W-30 Oil
- Battery charger
- Spark plug socket wrench
- Oil Funnel
- Assembly wrench
- Wheel and lifting hook components

Item	Quantity
• Lifting hook	1
• Flange bolt, M8	4
• Wheel	2
• Axle pin	2
• Washer	4
• Cotter pin	4

If any parts are missing, contact our service team at [service@wpowereq.com](mailto:service@wpowereq.com) or call 1-855-944-3571.

## INSTALL WHEELS AND LIFTING BRACKET

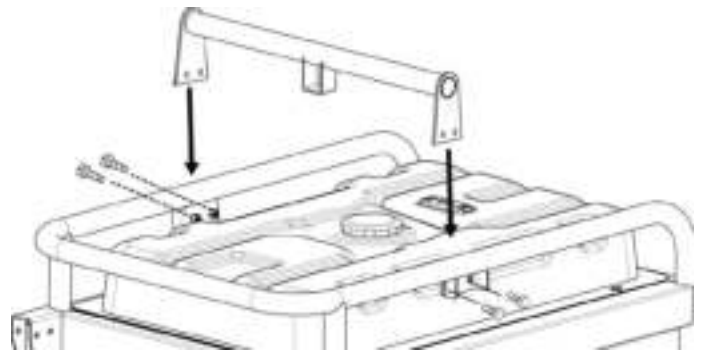
### NOTICE

Assembling the generator will require lifting the unit on one side. Install the wheels before adding fuel or oil.

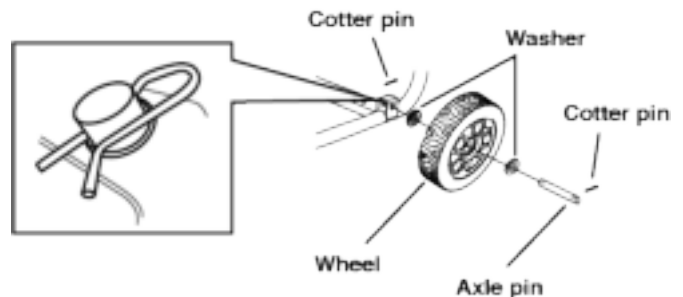
### ▲ CAUTION

Lifting hazard. Use two people when installing the wheels. Refer to LIFTING HOOK in the OPERATION section.

1. Place generator on a flat surface.
2. Align the lifting hook bracket with the mounting brackets on the top of the fuel tank. Secure with four M8 flange bolts.



3. Use the Lifting Hook to raise the unit enough to install the wheels as shown.



### NOTICE

The wheels are only intended for hand transport. The wheels are not suitable for towing the generator either on or off-road.

# ASSEMBLY

## INITIAL OIL FILL

### NOTICE

**THIS GENERATOR HAS BEEN SHIPPED WITHOUT OIL.** Do not attempt to crank or start engine before it has been properly serviced with recommended oil. Failure to add engine oil before starting will result in serious engine damage.

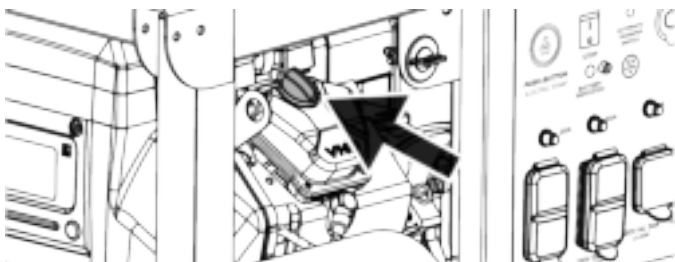
### NOTICE

The recommended oil type for this unit is 10W-30 Automotive oil. Use of unapproved oil types can cause severe engine damage that is not covered under warranty.

The included, recommended oil type for typical use is 10W-30 engine oil. If running the generator in extreme temperatures, refer to the following chart.

Recommended Engine Oil Type										
			10W-30							
	5W-30					10W-40				
	5W-30 Synthetic									
°F	-20	0	20	40	60	80	100	120		
°C	-28.9	-17.8	-6.7	4.4	15.6	26.7	37.8	48.9		
	Ambient temperature									

1. On a level surface, remove the oil fill cap.



2. Using the supplied funnel and oil, add the oil into the engine.
3. Replace the oil fill cap and tighten securely.

## BATTERY INSTALLATION

### CAUTION

Battery posts, terminals contain lead and lead compounds. Wash hands after handling.

### WARNING

The battery gives off explosive hydrogen gas during normal operation. A spark or flame can cause the battery to explode with enough force to kill or seriously hurt you. Wear protective clothing and a face shield, or have a skilled technician perform battery maintenance.

### WARNING

Burn hazard. The battery contains sulfuric acid (electrolyte) which is highly corrosive and poisonous. Wear protective clothing and eye protection when working near the battery. Keep children away from the battery.

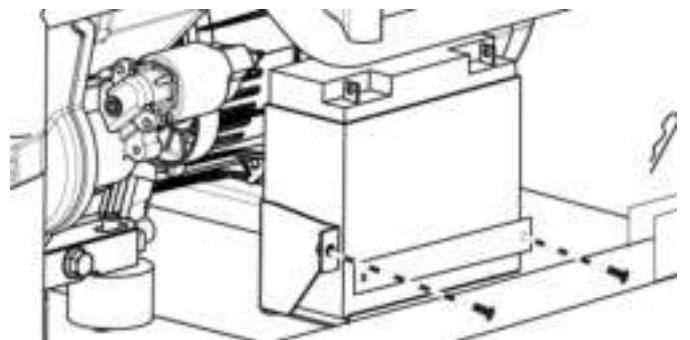
### WARNING

NEVER smoke or work near sparks or other sources of ignition. NEVER touch both battery terminals at the same time with your hand or any non-insulated tools. If battery acid contacts skin or clothing, flush immediately with water and neutralize with baking soda.

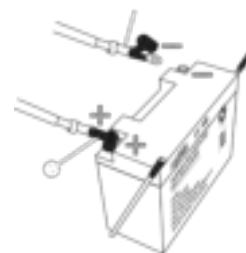
The battery shipped with the generator has been fully charged. A battery may lose some charge when not in use. See the BATTERY MAINTENANCE section for battery charging procedure.

**Note:** Once started, the generator will charge the battery after 30–60 minutes of use.

1. Remove the two battery plate bolts and battery plate. Tilt the battery forward and remove.



2. Connect the positive (+) battery cable (red boot) to the positive (+) battery post. Secure the boot over the battery post.



3. Connect the negative (-) cable (black boot) to the negative (-) battery post. Secure the boot over the battery post.
4. Install the battery in the battery tray. Install the battery plate and bolts. Tighten the bolts securely.

# ASSEMBLY

## FUEL

### ▲ WARNING

Fire and explosion hazard. Never use a gasoline container, gasoline tank, propane connector hose, propane tanks, or any other fuel item that is broken, cut, torn or damaged.

### ▲ DANGER

Fire and explosion hazard. Do not overfill fuel tank. Fill only to the red fill ring located in the in-tank fuel screen filter. Overfilling may cause fuel to spill onto engine causing a fire or explosion hazard.

### ▲ DANGER

Fire and explosion hazard. Never refuel the generator while the engine is running. Always turn the engine off and allow the generator to cool for two minutes before refueling.

### NOTICE



Do not use E15 or E85 fuel in this product. Engine or equipment damage caused by stale fuel or the use of unapproved fuels (such as E15 or E85 ethanol blends) is not covered by warranty. Only use unleaded gasoline containing up to 10% ethanol.

## FUEL REQUIREMENTS

- CLEAN, FRESH, unleaded gasoline, 87–93 octane.
- Up to 10% ethanol (gasohol) is acceptable (where available; non-ethanol fuel is recommended).
- DO NOT use E85 or E15.
- DO NOT use a gas oil mix.
- DO NOT modify the engine to run on alternate fuels.
- DO NOT fuel indoors.
- DO NOT create a spark or flame while fueling.

## USING FUEL STABILIZER

Adding a fuel stabilizer (not included) extends the usable life of fuel and helps prevent deposits from forming that can clog the fuel system. Follow the manufacturer's instructions for use.

Always mix the correct amount of fuel stabilizer to gasoline in an approved gasoline container before fueling the generator. Run the generator for five minutes to allow the stabilizer to treat the entire fuel system.

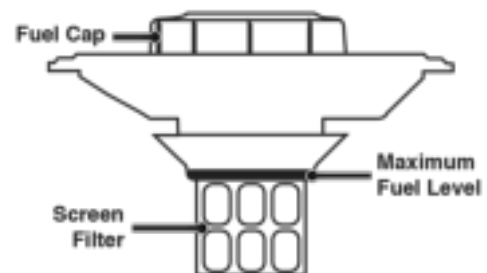
## FILLING THE FUEL TANK

1. Turn the generator OFF and allow to cool for a minimum of two minutes before fueling.
2. Place the generator on level ground in a well ventilated area.
3. Clean area around fuel cap and remove the cap slowly.

### NOTICE

Only fill the tank from an approved gasoline container. Make sure the gasoline container is internally clean and in good condition to prevent fuel system contamination.

4. Slowly add the recommended fuel. Do not overfill. Fill only to the red maximum fill ring on the fuel screen filter visible in the filler neck.



5. Install the fuel cap. Tighten securely.

### NOTICE

Fuel can damage paint and plastic. Use caution when filling the fuel tank. Clean up spilled fuel immediately to avoid damage. Damage caused by spilled fuel is not covered under warranty.

### NOTICE

Clean the fuel tank screen filter of debris before and after each fueling. Remove the fuel screen filter by slightly compressing it while removing it from the fuel tank.

## GROUNDING

### ▲ WARNING

Shock hazard. Failure to properly ground the generator can result in electric shock.

### NOTICE

Only use grounded extension cords, tools, and appliances, or double-insulated tools and appliances.

The generator neutral is bonded to the frame. There is a permanent conductor between the generator (stator wire) and the frame. If this generator will be used only with cord and plug equipment connected to the receptacles mounted on the generator, National Electric Code does not require that the unit be grounded. However, other methods of

---

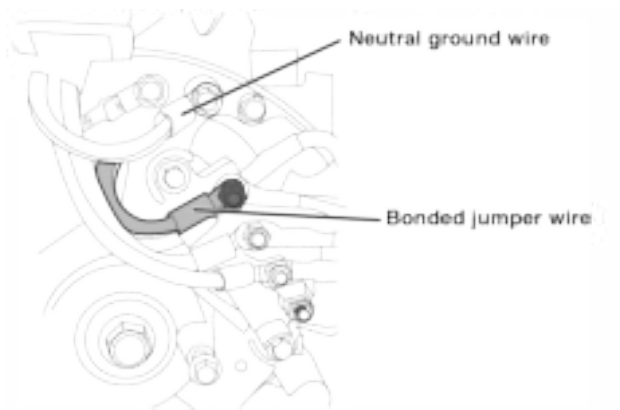
using the generator may require grounding to reduce the risk of shock or electrocution.

Before using the ground terminal, consult a qualified electrician, electrical inspector, or local agency having jurisdiction for local codes or ordinances that apply to the intended use of the generator.

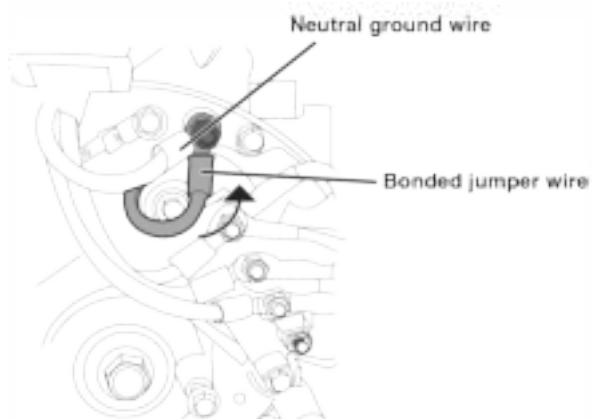
### **DISCONNECTING THE BONDED NEUTRAL**

Removing the bonded neutral disables the GFCI protection from the 5-20R receptacles. The bonded neutral should only be removed under specific circumstances. Consult a qualified electrician to determine if your situation requires disconnecting the bonded neutral.

1. Remove the alternator cover.
2. Remove the bonded jumper wire and reinstall the nut.



3. Remove the nut securing the neutral ground wire and attach the bonded jumper wire. Reinstall the nut.



4. Reinstall the alternator cover.

**IMPORTANT:** Apply a new “NEUTRAL UNBONDED” Label over the “NEUTRAL BONDED TO FRAME” label on the front of the control panel.

# OPERATION

## OPERATION

### GENERATOR LOCATION

Read and understand all safety information before starting the generator.

**⚠ DANGER**

Using a generator indoors **CAN KILL YOU IN MINUTES**. Generator exhaust contains carbon monoxide. This is a poison you cannot see or smell.

 <p>NEVER use inside a home or garage, <b>EVEN IF</b> doors and windows are open.</p>	 <p>Only use <b>OUTSIDE</b> and far away from windows, doors, and vents.</p>
--	---

NEVER operate the generator inside any building, including garages, basements, crawlspaces, sheds, enclosure, or compartment, including the generator compartment of a recreational vehicle.

**⚠ DANGER**

Electrocution hazard. Never use the generator in a location that is wet or damp. Never expose the generator to rain, snow, water spray, or standing water while in use. Protect the generator from all hazardous weather conditions. Moisture or ice can cause a short circuit or other malfunction in the electrical circuit. Using a generator or electrical appliance in wet conditions, such as rain or snow, or near a pool or sprinkler system, or when your hands are wet, could result in electrocution

**⚠ WARNING**

Fire hazard. Only operate the generator on a solid, level surface. Operating the generator on a surface with loose material such as sand or grass clippings can cause debris to be ingested by the generator that could block cooling vents or the air intake system. Allow the generator to cool for 30 minutes before transport or storage.

The generator should be on a flat, level surface at all times (Even while not in operation). The generator must have at least 5 ft. (1.5 m) of clearance from all combustible material.

Do not operate the generator in the back of a SUV, camper, trailer, truck bed (regular, flat, or otherwise), under stairs, next to walls or buildings, or in any other location that will not allow for adequate cooling of the generator and/or the muffler. DO NOT contain generators during operation.

**⚠ DANGER**

Asphyxiation hazard. Place the generator in a well-ventilated area. DO NOT place the generator near vents or intakes where exhaust fumes could be drawn into occupied or confined spaces. Carefully consider wind and air currents when positioning the generator.

### HIGH ALTITUDE OPERATION

Engine power is reduced the higher you operate above sea level. Output will be reduced approximately 3.5% for every 1000 feet of increased altitude from sea level.

High altitude adjustment is required for operation at altitudes over 2000 ft. (762 m). Operation without this adjustment will cause decreased performance, increased fuel consumption, and increased emissions.

**NOTICE**

Do not operate the generator at altitudes below 2,000 ft. (610 m) with the high altitude kit installed. Engine damage may occur.

<b>High Altitude Carburetor Kit</b>	<b>Part# 518904</b>
-------------------------------------	---------------------

### REMOTE START

**⚠ WARNING**

Verify that the area around the generator is clear before remote starting the generator.

The remote start key fob included with the generator should be attached to the recoil handle or control panel. If your unit was shipped without a key fob, contact Westinghouse customer service.

The generator can be started remotely from up to 99 feet (30 meter) using the remote start key fob.

**Note:** As the batteries in the remote start key fob drain, operational distance will decrease.



# OPERATION

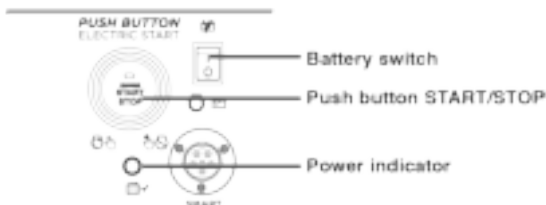
## PAIRING THE REMOTE START

Remote replacement batteries: (2) CR2016

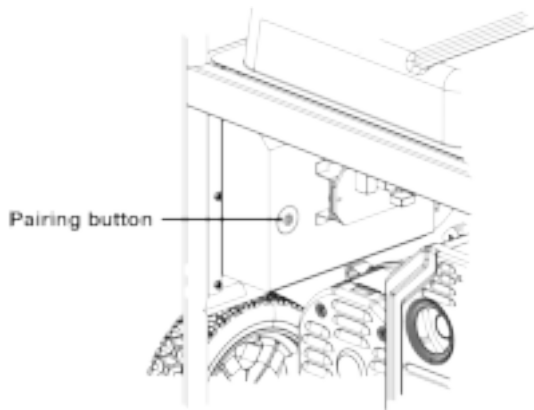
Remote replacement: Part# 100714A

If the remote start key fob is replaced or needs re-paired to the generator, follow this procedure:

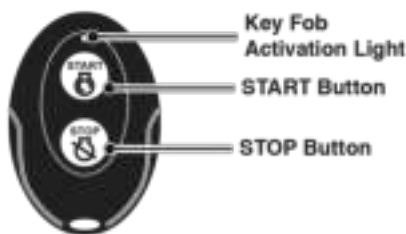
1. Turn the generator battery switch to the ON position. The power indicator light will illuminate.



2. Push and hold the red Pairing button on the back of the control panel until the START/STOP button illuminates.



3. Push and hold the STOP button on the key fob until the START/STOP button illumination turns OFF. Release the button. The START/STOP button will illuminate after the button is released.



4. Push and hold the START button on the key fob until the START/STOP button illumination turns OFF. Release the button. The START/STOP button will illuminate after the button is released.
5. Push the Pairing button on the side of the control panel until the START/STOP button illumination turns OFF. Release the button.
6. Turn the generator battery switch to the OFF position. The remote is now paired.

## BREAK-IN PERIOD

For proper break-in, do not exceed 50% of the rated running watts (6000 watts) during the first five hours of operation.

Vary the load occasionally to allow stator windings to heat and cool and help seat the piston rings.

## LOW IDLE

### NOTICE

Always start the generator with Low Idle switch OFF. Allow the engine speed to stabilize before switching Low Idle ON.

### NOTICE

Frequency output of the generator is dependent on engine speed. DO NOT use Low Idle when powering sensitive electronics or large surge loads such as an air conditioner, electric pump, refrigerator, or when connected to a home transfer switch.

Low Idle minimizes fuel consumption, noise, and engine wear by lowering the engine RPM to idle (2400 RPM) when electrical loads have been turned off and automatically returns to rated speed when loads are turned back on.

Turn Low Idle ON when powering intermittent, non-electronic loads, such as power tools at a work site.

## BEFORE STARTING THE GENERATOR

Verify that:

- The generator is placed in a safe, appropriate location.
- The generator is on a dry, flat, and level surface.
- The engine is filled with oil.
- Gasoline is in the fuel tank.
- All loads are disconnected.
- The LOW IDLE switch is in the OFF position

### ⚠ DANGER

Fire and explosion hazard. DO NOT move or tip the generator during operation.

## STARTING THE ENGINE

### ⚠ DANGER

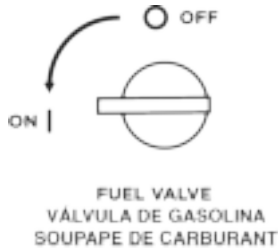
Fire and explosion hazard. DO NOT add gasoline to the fuel tank while the generator is in operation.

During Push-Button or Remote Start the engine will automatically set the choke and begin the start sequence. If the engine fails to start, the generator will attempt to start the engine two more times. The battery switch can be turned off at any time during the automatic start sequence to abort the engine start attempt.

# OPERATION

If the cranking speed drops after each unsuccessful attempt, then the battery may not be adequately charged. See BATTERY MAINTENANCE section.

1. Verify that fuel is in the gas tank.
2. Turn the fuel valve to the ON position.



3. Push the battery switch to the ON position.
4. Choose the starting method:
  - a. **Remote Start:** Push and hold the START button on the remote start key fob for one second.

**NOTE:** Remote start-equipped generators must be restarted with the START/STOP switch on the control panel after an automatic shut-down occurs.

- b. **Push-Button Start:** Push and hold the engine START/STOP button for two seconds.

## STOPPING THE ENGINE

1. Turn off and unplug all connected electrical loads.

**IMPORTANT:** Never start or stop the generator with electrical devices connected.

2. Let the generator run with no load for several minutes to stabilize internal temperatures of the engine.
3. Push and hold the START/STOP button for one second or push STOP on the remote start key fob for one second.

**Note:** Alternately, if the generator is used infrequently, turn the fuel tank valve to the OFF position to limit the residual fuel remaining in the system. The engine will stop when fuel in the carburetor and fuel line is exhausted.

4. Push the battery switch to the OFF position.

## FREQUENCY OF USE

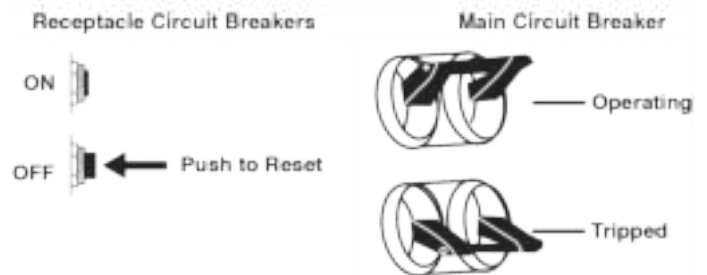
If the generator will be used on an infrequent or intermittent basis (more than one month before next use), refer to the Battery Maintenance and Storage sections of this manual for information regarding battery charging and fuel deterioration.

## AC CIRCUIT BREAKERS

The circuit breakers will automatically switch OFF if there is a short circuit or a significant overload of the generator at each receptacle.

If an AC circuit breaker switches OFF automatically, check that the appliance is working correctly and it does not exceed the rated load capacity of the circuit before resetting the AC circuit breaker ON.

The main circuit breaker controls total output of all outlets to protect the generator from overload or short circuit.



## GENERATOR CAPACITY

### NOTICE

Do not overload the generator's capacity. Exceeding the generator's wattage/ampere capacity can damage the generator and/or electrical devices connected to it.

Make sure the generator can supply enough continuous (running) and surge (starting) watts for the items you will power at the same time.

The total power requirements (Volts x Amps = Watts) of all appliances connected must be considered. Appliance and power tool manufacturers usually list rating information near the model or serial number.

To determine power requirements:

1. Select the items you will power at the same time.
2. Total the continuous (running) watts of these items. This is the amount of power the generator must produce to keep the items running. See the wattage reference chart on the next page.
3. Estimate how many surge (starting) watts you will need. Surge wattage is the short burst of power needed to start electric motor-driven tools or appliances such as a circular saw or refrigerator. Because not all motors start at the same time, total surge watts can be estimated by adding only the item(s) with the highest additional surge watts to the total rated watts from step 2.

# OPERATION

## Example:

Tool or Appliance	Running Watts*	Starting Watts*
RV Air Conditioner (11,000 BTU)	1010	1600
TV (Tube Type)	300	0
RV Refrigerator	180	600
Radio	200	0
Light (75 Watts)	300	0
Coffee Maker	600	0
	2590 Total Running Watts*	1600 Highest Starting Watts*
	Total Running Watts	2590
	Highest Starting Watts	+ 1600
	Total Starting Watts Needed	4190

\*Wattages listed are approximate. Verify actual wattage.

## POWER MANAGEMENT

To prolong the life of the generator and attached devices, use care when adding electrical loads to the generator. There should be nothing connected to the generator outlets before starting the engine. The correct and safe way to manage generator power is to sequentially add loads as follows:

1. With nothing connected to the generator, start the engine as described in this manual.
2. Plug in and turn on the first load, preferably the largest load you have.
3. Permit the generator output to stabilize (engine runs smoothly and attached device operates properly).
4. Plug in and turn on the next load.
5. Again, permit the generator to stabilize.
6. Repeat steps 4 and 5 for each additional load.

## Wattage Reference

Tool or Appliance	Estimated Running Watts*	Estimated Starting Watts*
Incandescent Lights (4 Quantity x 75 Watts)	300	0
TV (Tube Type)	300	0
Sump Pump (1/3 hp)	800	1300
Refrigerator or Freezer	700	2200
Well Pump (1/3 hp)	1000	2000
Furnace (1/2 hp)	800	2350
Radio	200	0
Drill (3/8", 4 amps)	440	600
Circular Saw (Heavy Duty, 7-1/4")	1400	2300
Miter Saw (10")	1800	1800
Table Saw (10")	2000	2000

\*Wattages listed are approximate. Verify actual wattage.

## EXTENSION CORDS

### ▲ WARNING

Asphyxiation hazard. Extension cords running directly into the home increase the risk of carbon monoxide poisoning through any openings. If an extension cord running directly into your home is used to power indoor items, there is a risk of carbon monoxide poisoning to people inside the home. Always use battery-powered carbon monoxide detector (s) that meet current UL 2034 safety standards when running the generator. Regularly check the detector (s) battery.

### ▲ WARNING

Asphyxiation hazard. When operating the generator with extension cords, make sure the generator is located in an open, outdoor area, far away from occupied spaces with exhaust pointed away.

### ▲ WARNING

Fire and electrocution hazard. Never use worn or damaged extension cords. Damaged or overloaded extension cords could overheat, arc, and burn resulting in death or serious injury.

Before connecting an AC appliance or power cord to the generator:

- Use grounded 3-prong extension cords, tools, and appliances, or double-insulated tools and appliances.
- Make sure the tool or appliance is in good working order. Faulty appliances or power cords can create a potential for electric shock.
- Make sure the electrical rating of the tool or appliance

# OPERATION

does not exceed the rated power of the generator or the receptacle being used.

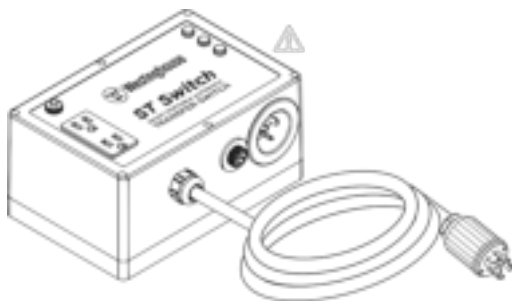
## EXTENSION CORD SIZING

Only use grounded 3-prong extension cords marked for outdoor use that are rated for the electrical load.

Total Amperage	Minimum Gauge, Outdoor Rated	
	Up to 50 FT (15 M)	Up to 100 FT (30 M)
Up to 10A	12	8
Up to 15A	10	8
Up to 20A	10	6
Up to 30A	8	6
Up to 35A	6	6

## ST SWITCH

The generator is compatible with the ST Switch, purchased separately. When utility power is on it will provide power (up to 120V @ 20A) to the appliances plugged into the 5-20R receptacle on the ST Switch. When utility power is lost the ST Switch automatically transfers input power from utility to generator power. When utility power is restored, the ST Switch transfers input power back to utility. Visit [www.westinghouseoutdoorpower.com](http://www.westinghouseoutdoorpower.com) for more information.



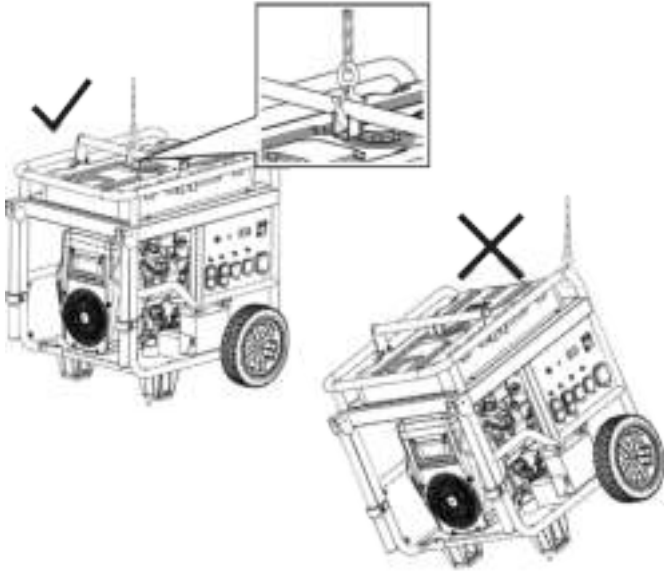
## TRANSPORTING

**▲ CAUTION**  
Weight hazard. Always have assistance when lifting the generator.

- Allow the generator to cool a minimum of 30 minutes before transporting.
- Replace all protective covers on the generator control panel.
- Keep the unit level during transport to minimize the possibility of fuel leakage or, if possible, drain the fuel or run the engine until the fuel tank is empty before transport.
- The generator wheels are only intended for hand transport. The wheels are not suitable for towing the generator either on or off-road.
- Use the extendable handle for hand transport. Only use the handle while the generator is OFF, stationary, and resting on a horizontal surface. Do not use the handle to lift the generator entirely off the ground, tow it, or up-end it.

**▲ CAUTION**  
Fire hazard. Do not up-end the generator or place it on its side. Fuel or oil can leak and damage to the generator may occur.

## LIFTING HOOK



Only use the lifting hook to lift the unit or attach any load restraints such as ropes or tie-down straps. Do not attempt to lift or secure the generator by holding onto any of its other components.

Before lifting the generator, inspect the bracket and make sure it is securely fastened to the generator. Do not lift the generator unless the lifting bracket is securely fastened.

1. Hook a chain or strap through the eye on the lifting hook and make sure it is securely fastened.
2. Connect a suitable lifting device to the chain or strap. Inspect chain and hook for any damaged links or any defects that could cause failure. It is recommended to use hooks with safety latches installed.
3. Lift the generator slightly to ensure it is lifting straight and level.

# MAINTENANCE

## ▲ WARNING

Accidental start-up. Disconnect the spark plug boot from the spark plugs when performing maintenance on the generator.

## MAINTENANCE SCHEDULE

Regular maintenance will improve performance and extend the service life of the generator. Follow the hourly or calendar intervals, whichever occurs first. More frequent service is required when operating in adverse conditions as noted below.

Before Each Use
Check engine oil Check air filter
After First 20 Hours or First Month
Change engine oil <sup>1</sup>
After 50 Hours or Every 3 Months
Clean air filter <sup>2</sup>
After 100 Hours or Every 6 Months
Change engine oil <sup>1</sup> Inspect/clean spark arrestor Inspect/clean spark plug Replace fuel filter Clean float bowl <sup>3</sup>
After 300 Hours or Every Year
Replace spark plug Replace air filter Replace fine oil filter Inspect/adjust valve clearance <sup>3</sup>
Every 2 years
Replace fuel pipe

<sup>1</sup> Change oil every month when operating under heavy load or in high temperatures.

<sup>2</sup> Clean more often under dirty or dusty conditions. Replace air filter if it cannot be adequately cleaned.

<sup>3</sup> Recommend service to be performed by authorized Westinghouse service dealer.

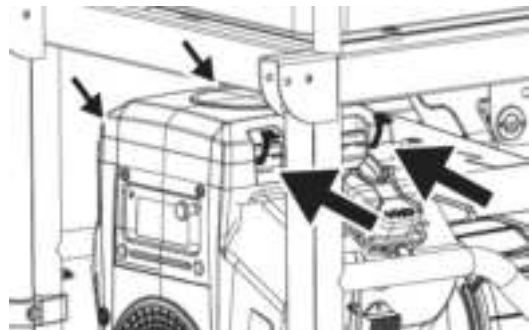
## MAINTENANCE REPLACEMENT PARTS

Description	Part Number
Air filter	5061
Oil drain bolt crush washer	94242
Battery, 18 AH	511092
Fuel filter	516401
Spark plug	97108 (F7TC)
Spark arrester	6859

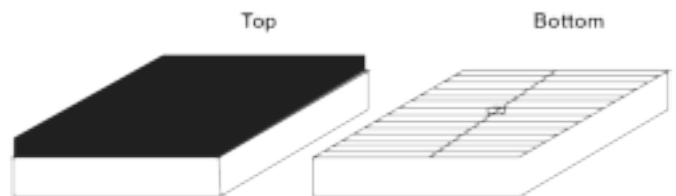
## AIR FILTER MAINTENANCE

The air filter must be cleaned after every 50 hours of use or six months (frequency should be increased if the generator is operated in a dusty environment).

1. Place the generator on a level surface and allow the engine to cool for several minutes.
2. Release the four clips then remove the air filter cover.



3. Remove the air filter and clean using compressed air. DO NOT submerge the filter in liquids or add oil.
4. Install the air filter in the housing, making sure it is correctly oriented and seated in the housing.



5. Install the air cleaner cover and secure with the cover clips.

## ENGINE OIL LEVEL CHECK

### ▲ CAUTION

Avoid skin contact with engine oil. Wear protective clothing and equipment. Wash all exposed skin with soap and water.

### NOTICE

Always use the specified engine oil. Failure to use the specified engine oil can cause accelerated wear and/or shorten the life of the engine.

When using the generator in dusty conditions or in extremely hot weather, change the oil more frequently.

Ambient air temperature will affect engine oil performance. Change the type of engine oil used based on weather conditions.

# MAINTENANCE

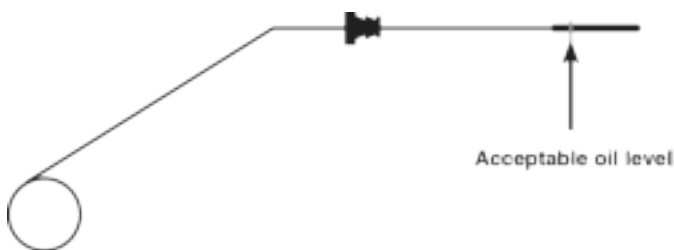
Recommended Engine Oil Type								
		10W-30						
	5W-30						10W-40	
	5W-30 Synthetic							
F	20	0	20	40	60	80	100	120
C	-28.9	-17.8	-6.7	4.4	15.6	26.7	37.8	48.9
Ambient temperature								

Check the engine oil level before each use or every 8 hours of operation.

1. Place the generator on a level surface and allow the engine to cool for several minutes.
2. Remove the oil dipstick and wipe the dipstick clean.
3. Insert, then remove the oil dipstick.

**Acceptable Oil Level** – On the flat side of the dipstick, oil is visible up to the first notch.

**Low Oil** – Oil is below the first notch on the dipstick

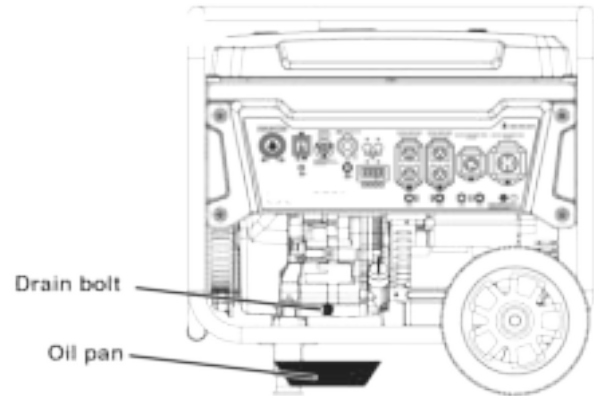


4. If low, remove the oil fill cap and add the recommended engine oil incrementally and recheck until the level is at the top notch on the dipstick. DO NOT overfill. If over the top notch on the dipstick, drain the oil to reduce the oil level to the full mark.
5. Replace the oil dipstick and oil fill cap.

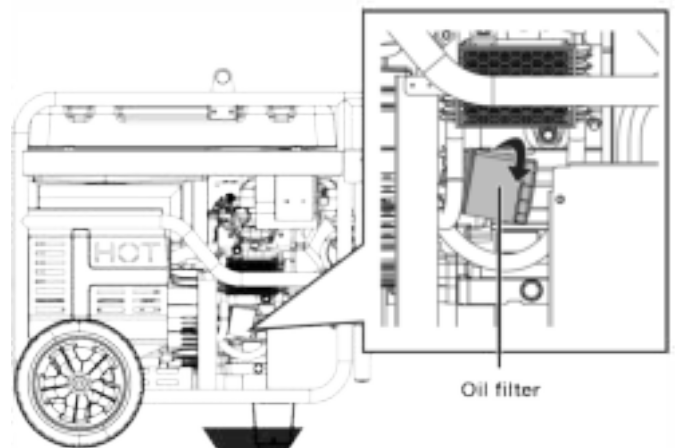
## ENGINE OIL CHANGE

When using the generator in dusty conditions or extremely hot weather, change the oil more frequently. Change the oil while the engine is still warm from operation.

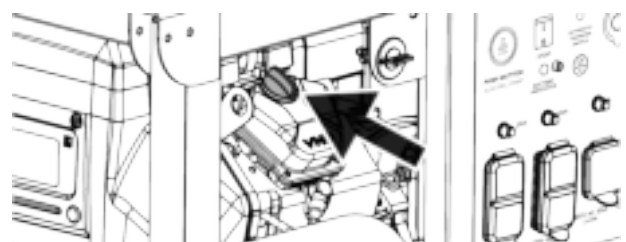
1. Place the generator on a level surface and allow the engine to cool for several minutes.
2. With a damp rag, clean around the oil fill cap. Remove the oil fill cap.
3. Place an oil pan (or suitable container) under the oil drain.



4. Remove oil drain bolt and allow the oil to drain.
5. Replace oil drain bolt.
6. Place the oil pan under the oil filter. Remove the oil filter by rotating it counterclockwise. Allow the oil to drain completely. Clean the area where the oil filter contacts the engine.



7. Apply clean oil to the rubber seal on the new oil filter. Install by hand, turning clockwise until the seal contacts the engine then turn another 3/4 turn. DO NOT over tighten.
8. Fill with the recommended oil. Stop frequently to check the oil level. Do not overfill. If the engine is overfilled, the excess oil may get transferred to the air cleaner housing and air filter. An indication of overfilling is white or blue smoke coming from the muffler when the engine is running.



**Maximum oil capacity:** 1.7 Quart (1.6 Liter)

9. Install the oil dipstick. Screw in the oil fill cap securely.

# MAINTENANCE

## NOTICE

Do not pollute. Follow the guidelines of the EPA or other governmental agencies for proper disposal of hazardous materials. Consult local authorities or reclamation facility.

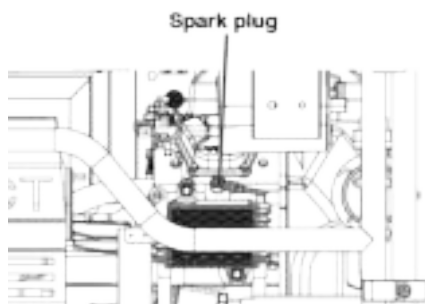
## SPARK PLUG MAINTENANCE

### NOTICE

Always use the Westinghouse OEM or compatible non-resistor-type spark plug. Use of resistor-type spark plug can result in rough idling, misfire, or may prevent the engine from starting.

Inspect and clean the spark plugs after every 100 hours of use or six months. Replace the spark plugs after 300 hours of use or every year.

1. Place the generator on a level surface and allow the engine to cool.
2. Remove the spark plug boots by firmly pulling the boot directly away from the engine.



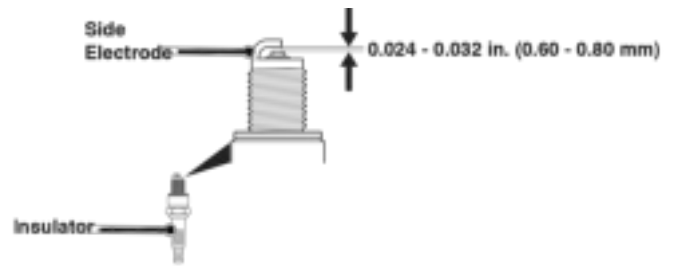
3. Clean the area around the spark plugs.
4. Remove the spark plugs with the included spark plug socket wrench.

### NOTICE

Never apply any side load or move the spark plug laterally when removing the spark plug.

5. Inspect the spark plugs. Replace if electrodes are pitted, burned, or the insulator is cracked. Only use a recommended replacement plug.
6. Measure the spark plug electrode gap with a wire-type feeler gauge. If necessary, correct the gap by carefully bending the side electrode.

**Spark plug gap:** 0.024 – 0.032 in. (0.60 – 0.80 mm)

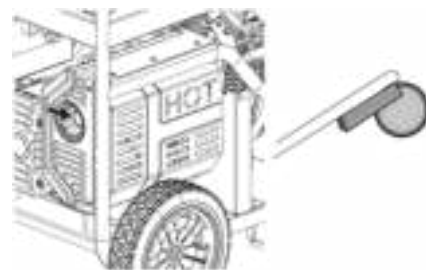


7. Carefully install each spark plug finger tight, then tighten as additional 3/8 to 1/2 turn with the spark plug wrench.
8. Attach the spark plug boots.

## SPARK ARRESTOR SERVICE

Allow the muffler to cool completely before servicing the spark arrestor. Check and clean the spark arrestor after every 100 hours of use or six months. Failure to clean the spark arrestor will result in degraded engine performance.

1. Place the generator on a level surface.
2. Carefully remove the carbon deposits from the spark arrestor screen with a wire brush. The spark arrestor must be free of breaks and tears. Use compressed air to clear removed deposits.

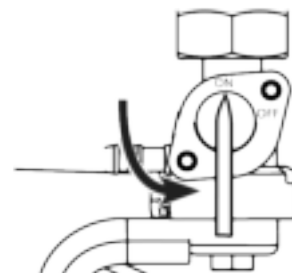


## FUEL FILTER

Replace the fuel filter after 100 hours of use.

**Note:** Have an appropriate gasoline container and rags ready to catch residual fuel in the filter and fuel line.

1. Allow the generator to cool completely.
2. Turn the fuel valve to the OFF position.



3. Note the orientation of the fuel filter. Using pliers, remove the fuel line clamps and remove the fuel filter.
4. Install the new fuel filter in the reverse order of removal.



# MAINTENANCE

## BATTERY MAINTENANCE

### ▲ WARNING

The battery gives off explosive hydrogen gas during normal operation. A spark or flame can cause the battery to explode with enough force to kill or seriously hurt you. Wear protective clothing and a face shield, or have a skilled technician perform battery maintenance.

### ▲ WARNING

Burn hazard. The battery contains sulfuric acid (electrolyte) which is highly corrosive and poisonous. Wear protective clothing and eye protection when working near the battery. Keep children away from the battery.

### ▲ WARNING

NEVER smoke or work near sparks or other sources of ignition. NEVER touch both battery terminals at the same time with your hand or any non-insulated tools. If battery acid contacts skin or clothing, flush immediately with water and neutralize with baking soda.

The battery shipped with the generator has been fully charged. A battery may lose some charge when not in use for prolonged periods of time.

**Note:** Once started, the generator will charge the battery after 30–60 minutes of use.

When the generator is not running, the included trickle charger can remain connected and will maintain the battery for an indefinite period of time. A red light on the charger indicates charging in progress. A green light indicates charging complete. Charge in a dry location.

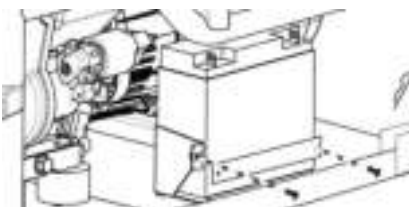
1. Plug the charger into the battery charging port on the control panel.
2. Plug the wall receptacle end of the battery charger into a 120 Volt AC wall outlet.

## BATTERY REPLACEMENT

### ▲ CAUTION

Battery posts, terminals contain lead and lead compounds. Wash hands after handling.

1. Remove the two battery plate bolts and battery plate. Tilt the battery forward and remove.



2. Disconnect the negative (-) cable (black boot) from the negative (-) battery post.
3. Disconnect the positive (+) battery cable (red boot) from the positive (+) battery post.

### NOTICE

Always connect the cables in the following sequence to avoid possible shock.

4. On the replacement battery, connect the positive (+) battery cable (red boot) to the battery positive (+) terminal. Secure the boot over the battery post.
5. Connect the negative (-) battery cable (black boot) to the negative (-) positive terminal. Secure the boot over the battery post.
6. Install the battery in the battery tray. Install the battery plate and bolts. Tighten the bolts securely.

### NOTICE

Dispose of the used battery properly according to the guidelines established by your local or state government.

## STORAGE

Proper storage preparation is required for trouble-free operation and generator longevity.

### NOTICE

Gasoline stored for as little as 30 days can deteriorate, causing gum, varnish, and corrosive buildup in fuel lines, fuel passages, and the engine. This corrosive buildup restricts the flow of fuel, which can prevent the engine from starting after a prolonged storage period. The use of fuel stabilizer significantly increases the storage life of gasoline. Full-time use of fuel stabilizer is recommended. Follow the manufacturer's instructions for use.

STORAGE TIME	RECOMMENDED PROCEDURE
Less than 1 month	No service required.
2 to 6 months	Fill with fresh gasoline and add gasoline stabilizer. Drain the carburetor float bowl.
6 months or longer	Drain the fuel tank and carburetor float bowl.

## SHORT TERM STORAGE

- Allow the generator to cool a minimum of 30 minutes before storage.
- Replace all protective covers on the generator control panel.
- Wipe the generator with a moist cloth. Clean any debris from the muffler cooling vents.
- Store the generator in a well-ventilated, dry location

# MAINTENANCE

away from sparks, open flames, pilot lights, heat, and other sources of ignition such as areas with a spark-producing electric motor or where power tools are operated.

- Do not store the generator, gasoline near furnaces, water heaters, or any other appliances that produce heat or have automatic ignitions.
- With the engine and exhaust system cool and all surfaces dry, cover the generator to keep out dust. Do not use a plastic sheet as a dust cover. Non-porous materials trap moisture and promote rust and corrosion.

## LONG TERM STORAGE

Even properly stabilized fuel can leave residue and cause corrosion if left long term. If storing the generator for over six months, drain the fuel tank.

## DRAINING THE FUEL TANK

If storing the generator for longer than six months, drain the fuel tank to prevent fuel separation, deterioration, and deposits in the fuel system.

1. Unscrew the fuel tank cap. Remove the fuel screen filter by slightly compressing it while removing it from the tank.
2. Using a commercially available gasoline hand pump (not included), siphon the gasoline from the fuel tank into an approved gasoline container. **DO NOT** use an electric pump.  
OR  
Disconnect the fuel line from the bottom of the fuel tank and allow the fuel to drain into an approved gasoline container. Reinstall the fuel line.
3. Reinstall the fuel screen filter and the fuel tank cap.
4. Start the generator and allow it to run until the generator engine stops.
5. Push the battery switch to the OFF position.
6. Disconnect the battery.

## VALVE CLEARANCE

### NOTICE

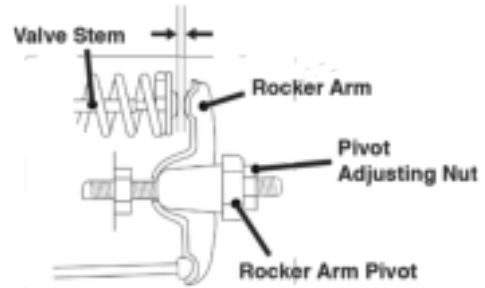
Checking and adjusting valve clearance must be done when the engine is cold.

Perform this procedure on both cylinders.

1. Remove the rocker arm cover and carefully remove the gasket. If the gasket is torn or damaged, it must be replaced.
2. Remove the spark plug so the engine can be rotated more easily.
3. Rotate the engine to Top Dead Center (TDC) by momentarily pushing the Start button. Looking through

the spark plug hole, the piston should be at the top (both valves are closed).

4. Both the rocker arms should be loose at TDC on the compression stroke. If they are not, rotate the engine 360°.
5. Insert a feeler gauge between the rocker arm and the valve stem to measure valve clearance.



	Intake Valve	Exhaust Valve
Valve Clearance	0.0031 – 0.0047 in (0.08 – 0.12 mm)	0.0051 – 0.0067 in (0.13 – 0.17 mm)
Torque	8-12 N·m	8-12 N·m

6. If an adjustment is necessary, hold the rocker arm pivot and loosen the pivot adjusting nut.
7. Turn the rocker arm pivot to obtain the specified clearance. Hold the rocker arm pivot and re-tighten the pivot adjusting nut to the specified torque.

**Torque: 106 inch-pound (12 N·m)**

8. Perform this procedure for the other valve.
9. Install the gasket, rocker arm cover, and spark plug.

# TROUBLESHOOTING

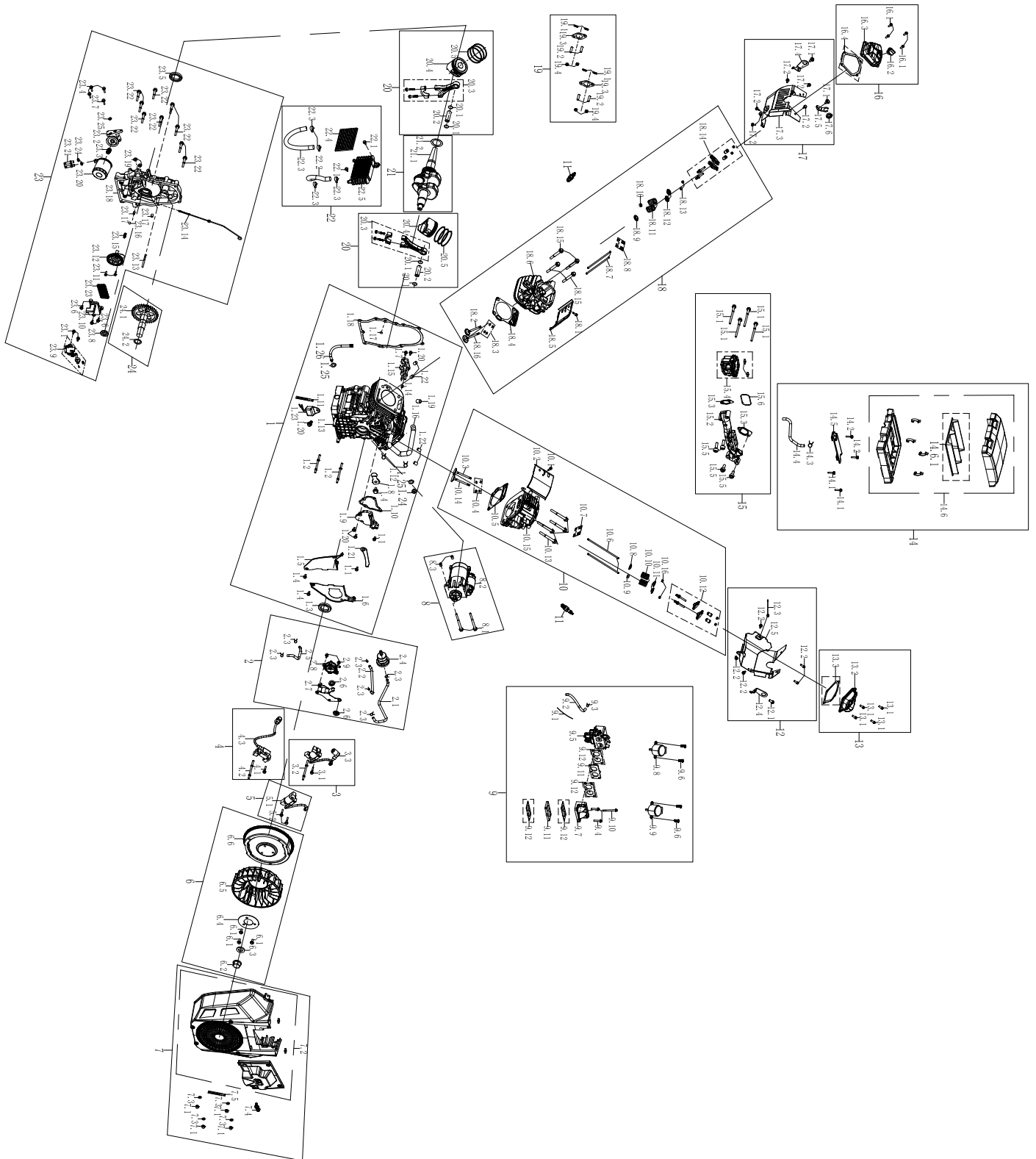
## TROUBLESHOOTING

PROBLEM	POSSIBLE CAUSE	CORRECTION
Engine will not start	Battery switch in the OFF position.	Turn battery switch to the ON position.
	Out of fuel.	Refuel.
	Bad fuel, generator stored without treating or draining gasoline, or refueled with bad gasoline.	Drain the fuel tank. Refuel with fresh gasoline.
	Dirty air filter.	Clean the air filter.
	Low engine oil level stopped generator.	If low oil LED illuminated, turn battery switch to the OFF position. Add engine oil.
	Spark plugs wet with fuel (flooded engine).	Remove spark plugs, pull recoil handle rapidly several times, wait five minutes. Let spark plug dry and reinstall.
	Spark plugs faulty, fouled, or improperly gapped.	Gap or replace the spark plugs. Reinstall.
	Fuel filter restricted, fuel system malfunction, fuel pump failure, ignition malfunction, valves stuck, etc.	Contact Westinghouse customer service toll-free at 1 (855) 944-3571.
	Battery drained.	Charge the battery.
	Choke partially open or closed due to weak or disconnected battery.	Manually set the choke. See Maintenance section.
	CO sensor activated	Relocate generator to an open, outdoor area.
	CO system fault occurred.	Contact Westinghouse customer service toll-free at 1 (855) 944-3571.
Engine starts, then shuts down	Out of fuel.	Refuel.
	Incorrect engine oil level.	Check engine oil level.
	Dirty air filter.	Clean the air filter.
	Contaminated fuel.	Drain the fuel tank. Refuel with fresh gasoline.
	Defective low oil level switch.	Contact Westinghouse customer service toll-free at 1 (855) 944-3571.
Engine lacks power	Air filter restricted.	Clean or replace air filter.
	Bad fuel, generator stored without treating or draining gasoline, or refueled with bad gasoline.	Drain the fuel tank. Refuel with fresh gasoline.
	Fuel filter restricted, fuel system malfunction, fuel pump failure, ignition malfunction, valves stuck, etc.	Contact Westinghouse customer service toll-free at 1 (855) 944-3571.
Engine runs rough or bogs when load applied	Dirty air filter.	Clean the air filter.
	Generator overloaded.	Unplug some devices.
	Faulty power tool or appliance.	Replace or repair tool or appliance. Stop and restart the engine.
	Fuel filter restricted, fuel system malfunction, fuel pump failure, ignition malfunction, valves stuck, etc.	Contact Westinghouse customer service toll-free at 1 (855) 944-3571.
No power at AC receptacles	AC circuit breaker/s tripped.	Check AC loads and reset circuit breaker/s.
	Faulty power tool or appliance.	Replace or repair tool or appliance. Stop and restart the engine.
	Faulty generator.	Contact Westinghouse customer service toll-free at 1 (855) 944-3571.

# EXPLODED VIEW

## EXPLODED VIEWS AND PARTS LISTS

### ENGINE EXPLODED VIEW



# EXPLODED VIEW

## ENGINE PARTS LIST

NO.	PART #	DESCRIPTION
1	50120038	CRANKCASE ASSEMBLY
1.1	91371	BOLT M6X35
1.2	91043	BOLT M6X113
1.3	93530	CRANKSHAFT OIL SEAL
1.4	91365	BOLT M6X12
1.5	320503	LEFT WINDSHIELD
1.6	320504	RIGHT WINDSHIELD
1.7	91374	BOLT M6X22
1.8	320602	BREATHER VALVE ASSEMBLY
1.9	320600	BREATHING VALVE COVER
1.10	96133	BREATHING VALVE GASKET
1.11	599601	METAL CLAMP
1.12	94419	FUEL HOSE CLIP 16.5x2
1.13	320206	CRANKCASE
1.14	240904	LOCATING PIN 8X12
1.15	329902	ROCKER ARM SUPPORT BASE ASSEMBLY
1.16	95618	BLAST PIPE
1.17	94033	SEALING RING
1.18	96296	CRANKCASE COVER GASKET
1.19	327001	PLUG
1.20	91370	BOLT M6X16
1.21	329900	CRIMPING BOARD
1.22	260901	LOCATING PIN
1.23	325101	OIL PROTECTOR
1.24	91832	BOLT M14X1.5X12
1.25	94242	FLAT WASHER
1.26	91887	OIL DRAIN SOLENOID
2	50690002	PETROL PUMP ASSEMBLY
2.1	95545	GASOLINE PUMP INLET PIPE
2.2	95462	GASOLINE PUMP OUTLET PIPE
2.3	94423	FUEL HOSE CLIP 9
2.4	516401	FILTER
2.5	95463	GASOLINE PUMP NEGATIVE PRESSURE PIPE
2.6	94418	PROTECTIVE SLEEVE
2.7	369904	GASOLINE PUMP BRACKET
2.8	329914	PETROL PUMP
2.9	91370	BOLT M6X16
3	50100029	RIGHT IGNITER ASSEMBLY
3.1	91383	BOLT M6X28
3.2	91043	BOLT M6X113
3.3	97540	RIGHT IGNITER
4	50100028	LEFT IGNITER ASSEMBLY
4.1	91383	BOLT M6X28
4.2	91043	BOLT M6X113
4.3	97539	LEFT IGNITER
5	50680002	CHARGING COIL ASSEMBLY

NO.	PART #	DESCRIPTION
5.1	97212	CHARGING COIL
5.2	91371	BOLT M6X35
6	50180019	FLYWHEEL ASSEMBLY
6.1	91385	BOLT M8X16
6.2	90041	NUT M20
6.3	94030	FLAT WASHER
6.4	329913	IMPELLER PRESSURE PLATE
6.5	324600	IMPELLER
6.6	320400	FLYWHEEL ASSEMBLY
7	50090060	WIND-LEAD COVER ASSEMBLY
7.1	90043	NUT M6
7.2	324700	RECOIL COVER ASSEMBLY
7.3	94260	FLAT WASHER
7.4	91370	BOLT M6X16
7.5	599601	METAL CLAMP
8	50260011	STARTER MOTOR ASSEMBLY
8.1	91378	BOLT M8X110
8.2	97414	STARTER ALTERNATOR
8.3	240904	LOCATING PIN 8X12
9	50040084	CARBURETOR ASSEMBLY
9.1	319901	CARBURETOR SOLENOID VALVE LINE
9.2	95464	CARBURETOR OVERFLOW PIPE
9.3	94403	FUEL HOSE CLIP 8.5
9.4	91383	BOLT M6X28
9.5	322803	DOUBLE CHAMBER CARBURETOR
9.6	92239	BOLT M3*8
9.7	95906	CARBURETOR CONNECTION ELBOW
9.8	329929	STEPPER MOTOR
9.9	329924	STEPPER MOTOR
9.10	91425	BOLT M6X65
9.11	96141	CARBURETOR HEAT SHIELD
9.12	96137	CARBURETOR GASKET
10	50020053	CYLINDER HEAD ASSEMBLY
10.1	91365	BOLT M6X12
10.2	320507	WIND-LEAD-COVER
10.3	261702	INTAKE VALVE
10.4	260802	VALVE LOCK CLAMP
10.5	96135	INTAKE WASHER
10.6	321900	PUSH ROD
10.7	322201	LIMIT PLATE ASSEMBLY
10.8	261807	INTAKE VALVE SPRING LOWER SEAT
10.9	93513	VALVE SEAL
10.10	326000	VALVE SPRING
10.11	261805	VALVE SPRING SEAT
10.12	322100	ROCKER ARM ASSEMBLY
10.13	91380	BOLT M10X80
10.14	265903	INTAKE VALVE

# EXPLODED VIEW

## ENGINE PARTS LIST CONTINUED

NO.	PART #	DESCRIPTION
10.15	321003	RIGHT CYLINDER HEAD ASSEMBLY
10.16	261806	TOP CAP
11	97112	SPARK PLUG
12	50130015	WIND LEAD COVER ASSEMBLY
12.1	91385	BOLT M8X16
12.2	91365	BOLT M6X12
12.3	325801	TEMPERATURE SENSOR
12.4	329901	LIFTING EAR
12.5	320501	RIGHT CYLINDER HEAD AIR DEFLECTOR
13	50010033	CYLINDER HEAD COVER ASSEMBLY
13.1	91365	BOLT M6X12
13.2	321101	RIGHT CYLINDER HEAD COVER
13.3	96136	CYLINDER HEAD COVER GASKET
14	50030058	AIR CLEANER ASSEMBLY
14.1	91371	BOLT M6X35
14.2	91383	BOLT M6X28
14.3	94403	FUEL HOSE CLIP 8.5
14.4	95117	CARBON CANISTER AND AIR FILTER CONNECTING PIPE
14.5	323000	AIR FILTER PRESSURE PLATE
14.6	322902	AIR CLEANER ASSEMBLY
14.6.1	5061	AIR CLEANER ELEMENT
15	50700001	AIR FILTER CONNECTING PIPE ASSEMBLY
15.1	91377	BOLT M6X95
15.2	95907	DUAL CHAMBER INTAKE PIPE
15.3	96139	INTAKE PIPE GASKET
15.4	95905	AIR FILTER CONNECTING PIPE
15.5	92048	SCREW M8X50
15.6	96138	AIR FILTER CONNECTING PIPE GASKET
16	50010034	CYLINDER HEAD COVER ASSEMBLY
16.1	91365	BOLT M6X12
16.2	321400	OIL PLUG
16.3	321100	LEFT CYLINDER HEAD COVER
16.4	96136	CYLINDER HEAD COVER GASKET
17	50130017	WIND LEAD COVER ASSEMBLY
17.1	91385	BOLT M8X16
17.2	91365	BOLT M6X12
17.3	320500	LEFT CYLINDER HEAD AIR DEFLECTOR
17.4	329901	LIFTING EAR
17.5	329922	TUBING BRACKET
17.6	94418	PROTECTIVE SLEEVE
18	50020054	CYLINDER HEAD ASSEMBLY
18.1	91365	BOLT M6X12
18.2	261702	INTAKE VALVE
18.3	260802	VALVE LOCK CLAMP
18.4	96135	INTAKE WASHER

NO.	PART #	DESCRIPTION
18.5	320502	WIND-LEAD-COVER
18.6	321002	LEFT CYLINDER HEAD ASSEMBLY
18.7	321900	PUSH ROD
18.8	322201	LIMIT PLATE ASSEMBLY
18.9	261807	INTAKE VALVE SPRING LOWER SEAT
18.10	93513	VALVE SEAL
18.11	326000	VALVE SPRING
18.12	261805	VALVE SPRING SEAT
18.13	261806	TOP CAP
18.14	322100	ROCKER ARM ASSEMBLY
18.15	91380	BOLT M10X80
18.16	265903	INTAKE VALVE
19	50600003	SEAL WASHER ASSEMBLY
19.1	94206	SPRING WASHER
19.2	91007	BOLT M8X38
19.3	96140	EXHAUST GASKET
19.4	90011	NUT M8
20	50050023	PISTON & PISTON RING ASSEMBLY
20.1	241301	PISTON PIN RING
20.2	325500	PISTON PIN
20.3	321500	CONNECTING ROD ASSEMBLY
20.4	321200	PISTON
20.5	321602	PISTON RING COMBINATION
21	50190004	CRANKSHAFT ASSEMBLY
21.1	320300	CRANKSHAFT
21.2	94031	FLAT WASHER
22	50710001	HEAT SINK ASSEMBLY
22.1	91383	BOLT M6X28
22.2	95465	RADIATOR CONNECTING OIL PIPE
22.3	94421	FUEL HOSE CLIP 16x12x1
22.4	329911	RADIATOR MOUNTING BRACKET
22.5	329912	RADIATOR ASSEMBLY
23	50200040	CRANKCASE COVER ASSEMBLY
23.1	91371	BOLT M6X35
23.2	329909	OIL FILTER SEAT
23.3	91833	OIL FILTER CONNECTING SOLENOID
23.4	91383	BOLT M6X28
23.5	93530	CRANKSHAFT OIL SEAL
23.6	91331	BOLT M6X25
23.7	91342	BOLT M8*12
23.8	93023	BEARING
23.9	325100	OIL SENSOR
23.10	329907	OIL FILTER COVER
23.11	92047	SCREW M6X16
23.12	329903	OIL PUMP ASSEMBLY
23.13	324301	CENTRIFUGAL GOVERNOR GEAR ASSEMBLY

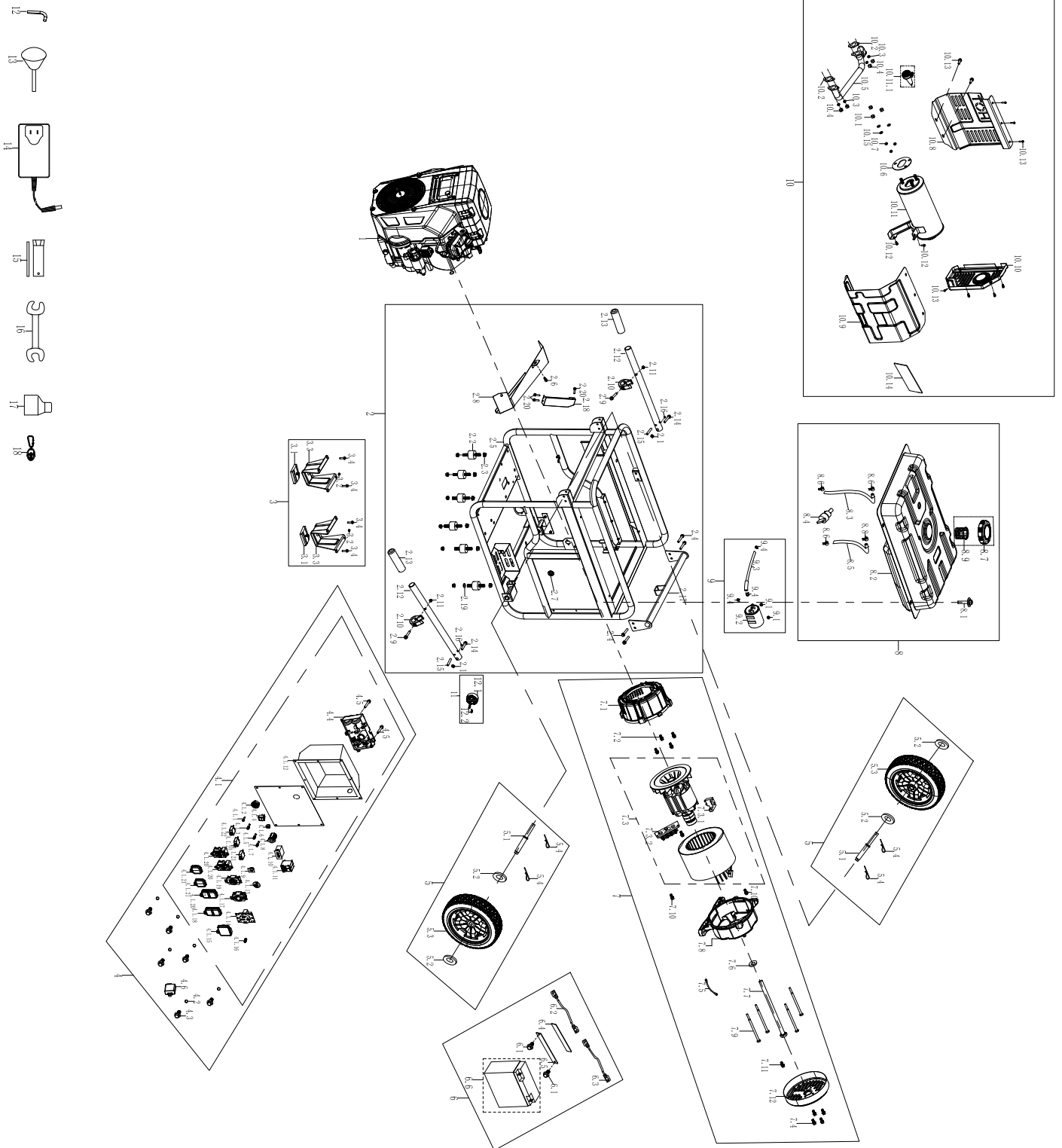
# EXPLODED VIEW

## ENGINE PARTS LIST CONTINUED

NO.	PART #	DESCRIPTION
23.14	325600	DIPSTICK ASSEMBLY
23.15	329904	PRESSURE RELIEF VALVE SPRING
23.16	329905	STEEL BALL
23.17	320900	LOCATING PIN
23.18	320101	CRANKCASE COVER
23.19	94085	O-SHAPE SEAL RING
23.20	329908	OIL FILTER
23.21	91834	OIL FILTER SEAT CONNECTION PIPE
23.22	91379	BOLT M8X50
23.23	329906	OIL FILTER
23.24	94241	FLAT WASHER 10.2X17X1
23.25	94257	FLAT WASHER 8x16x1.5
24	50150012	ALTERNATOR ASSEMBLY
24.1	322000	CAMSHAFT ASSEMBLY
24.2	94032	FLAT WASHER

# EXPLODED VIEW

## GENERATOR EXPLODED VIEW





# EXPLODED VIEW

## GENERATOR PARTS LIST

NO.	PART #	DESCRIPTION
1	1148720120039	ENGINE DHT720E
2	60070063	FRAME ASSEMBLY
2.1	90026	SELF-LOCKING NUTS
2.2	501041	DAMPING SUPPORT B
2.3	90075	NUT M10*1.5
2.4	91343	BOLT M8*16
2.5	770055-116	FRAME
2.6	91345	BOLT M8*20
2.7	518403	OIL SWITCH SEAT
2.8	501131	AIR DUCT WELDING PARTS
2.9	91339	BOLT M6*50
2.10	528606	GLUE CARD
2.11	90016	NUT M6
2.12	526614-116	HANDLE
2.13	528501	HANDLE GUM COVER
2.14	91363	BOLT M8*50
2.15	527406	HANDLE PIN
2.16	527401	HANDLE DAMPING RUBBER PAD
2.17	533604-116	LIFTING BRACKET
2.18	535602-116	INSULATION BOARD
2.19	94224	CRANKSHAFT FLAT WASHER 10*30*2
2.20	91327	BOLT M6*12
3	60150031	FOOT BRACKET ASSEMBLY
3.1	531905	FOOT BRACKET SHOCK ABSORBER
3.2	90026	SELF-LOCKING NUTS
3.3	525905-116	FOOT BRACKET ASSEMBLY
3.4	91343	BOLT M8*16
4	60040089	CONTROL PANEL ASSEMBLY
4.1	715558	PANEL ASSEMBLY
4.1.1	6387	SOCKET
4.1.2	536002	ONE-KEY START SWITCH
4.1.3	6393	BATTERY INDICATOR LIGHT
4.1.4	6502	POWER SWITCH
4.1.5	1042	CO INDICATOR YELLOW
4.1.6	6685	ECO SWITCH
4.1.7	1041	CO INDICATOR RED
4.1.8	6796	USB SOCKET 10-35V
4.1.9	6439-30	22A THERMAL PROTECTOR
4.1.10	6041	DIGITAL DISPLAY
4.1.11	6513-50	BREAKER 2P50A
4.1.12	9001	PANEL REAR COVER
4.1.13	6488	AVIATION SOCKET GXP20-7P

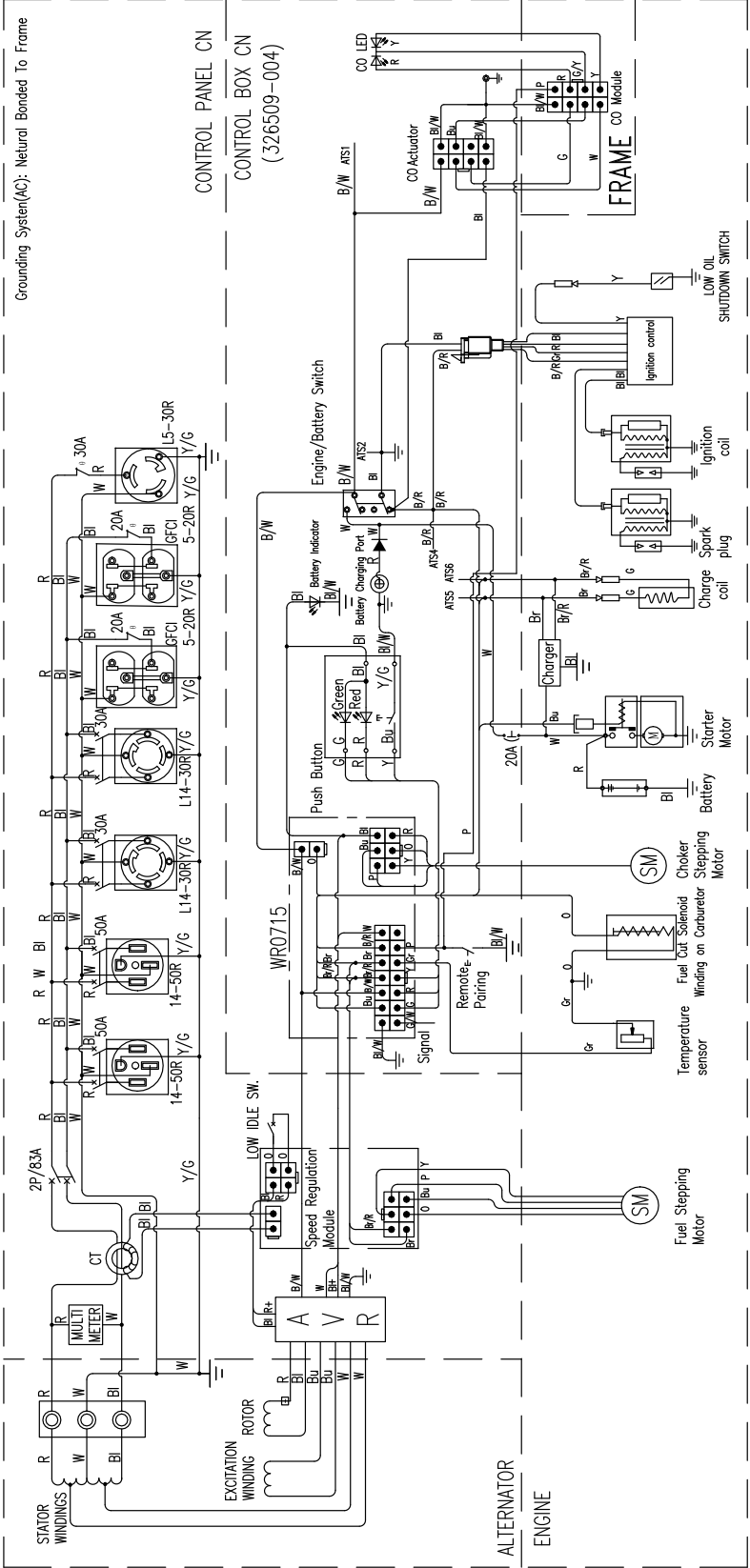
NO.	PART #	DESCRIPTION
4.1.14	6254	SOCKET 14-50R
4.1.15	6850	WATERPROOF CAP
4.1.16	6386	GROUND BOLT ASSEMBLY
4.1.17	6385	L14-30R SOCKET
4.1.18	6848	WATERPROOF CAP
4.1.19	6383	L5-30R RECEPTACLE
4.1.20	6847	WATERPROOF CAP
4.1.21	6441-30	30A THERMAL PROTECTOR
4.1.22	6441-20	20A THERMAL PROTECTOR
4.1.23	6275	GFCI SOCKET 5-20RA
4.1.24	6845	WATERPROOF CAP
4.2	96120	PAPER WASHER
4.3	91327	BOLT M6*12
4.4	534905	AVR VOLTAGE REGULATOR
4.5	91306	BOLT M6X25
4.6	599078	CO FLAME OUT ACTUATOR
5	60060032	WHEEL ASSEMBLY
5.1	501137	CASTER SHAFT ASSEMBLY
5.2	94213	FLAT WASHER
5.3	523623	WHEEL
5.4	548301	COTTER PIN
6	50200026	BATTERY KIT
6.1	91327	BOLT M6*12
6.2	512042	BATTERY POSITIVE WIRE
6.3	512015	BATTERY NEGATIVE WIRE
6.4	599702	GLUE STRIP
6.5	501135-116	BATTERY LAYER
6.6	511092	BATTERY
7	60140045	ALTERNATOR ASSEMBLY
7.1	533602	MOTOR FRONT COVER
7.2	91354	BOLT M10x1.25
7.3	750009	ROTOR STATOR ASSEMBLY THE MOTOR ASSEMBLY
7.3.1	6186	CARBON BRUSH
7.3.2	6188	TERMINAL
7.4	91325	BOLT M6X12
7.5	544612	GROUNDING WIRE
7.6	96813	FLAT WASHER
7.7	91725	BOLT M10*1.25*295
7.8	533603	BACK SUPPORT
7.9	91623	BOLT M8*1.25*215
7.10	91323	BOLT M5X16
7.11	91322	BOLT M5*12
7.12	533304-221	ALTERNATOR TAIL COVER

## GENERATOR PARTS LIST CONTINUED

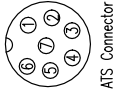
NO.	PART #	DESCRIPTION
8	60010069	FUEL TANK ASSEMBLY
8.1	91461	BOLT M6*25
8.2	700905L-116	FUEL TANK ASSEMBLY
8.3	95488L	FUEL HOSE
8.4	518401	FUEL SWITCH
8.5	95729L	FUEL HOSE
8.6	94412	FUEL HOSE CLIP
8.7	519428	FUEL CAP
8.8	94411	FUEL HOSE CLIP 11*0.8
8.9	518801	FUEL TANK FILTER
9	60570015	CARBON CANISTER ASSEMBLY
9.1	90016	NUT M6
9.2	543603L	CARBON CANISTER
9.3	95121	CARBON CANISTER AND FUEL TANK CONNECTING PIPE
9.4	503034	FUEL HOSE CLIP 9.5*0.8
10	60030034	MUFFLER ASSEMBLY
10.1	90075	NUT M10*1.5
10.2	96140	EXHAUST GASKET
10.3	94206	SPRING WASHER 8
10.4	90011	NUT M8
10.5	95253	MUFFLER CONNECTING PIPE
10.6	96149	MUFFLER CONNECTING PIPE GASKET
10.7	94201	SPRING WASHER 10
10.8	515912	EXHAUST MUFFLER GUARD COVER A
10.9	515913	EXHAUST MUFFLER GUARD COVER B
10.10	515911	EXHAUST MUFFLER GUARD COVER C
10.11	705010	MUFFLER
10.11.1	6859	SPARK ARRESTER
10.12	91345	BOLT M8*20
10.13	91327	BOLT M6*12
10.14	501139	HIGH TEMPERATURE INSULATION COTTON
10.15	94214	FLAT WASHER 10.3x20.6x1.65
11	60450010	CO MODULE KIT ASSEMBLY
11.1	599079	CO MODULE
11.2	92345	BOLT M4*28
12	94432	NYLON BRAIDED TUBE
13	99509	FUNNEL
15	511043	CHARGER
15	99012	SPARK PLUG SLEEVE
16	99025	WRENCH

NO.	PART #	DESCRIPTION
17	99576	OIL BOTTLE
18	6629	REMOTE KEY

## SCHEMATICS SCHEMATICS



BI	Black	Br	Brown	Y/G	Yellow/Green	B/W	Blue/White
O	Orange	B/R	Black/Red	B/W	Black/White	Br/R	Brown/Red
Bu	Blue	LB	Light Blue	G	Green	B/W	Green/White
Gr	Gray	Bl	Black	Y	Yellow		
R	Red	W	White	P	Pink		



WIRING DIAGRAM OF 120/240V GENERATOR SET

ESPAÑOL

# WGen12000c

## Generador Portátil

Gasolina: 12,000 Vatios en Funcionamiento | 15,000 Vatios de arranque

### MANUAL DE USUARIO

**NO DEVUELVA ESTE PRODUCTO A LA TIENDA**

Si tiene preguntas o necesita ayuda, llame al servicio al cliente al 855-944-3571.

#### TABLA DE CONTENIDO

ESPAÑOL.....36

#### INTRODUCCIÓN

DESCARGOS DE RESPONSABILIDAD .....37

TODOS LOS DERECHOS RESERVADOS .....37

GUARDA ESTAS INSTRUCCIONES.....37

#### ESPECIFICACIONES

ESPECIFICACIONES .....38

#### LA SEGURIDAD

DEFINICIONES DE SEGURIDAD .....39

SÍMBOLOS DE SEGURIDAD Y SIGNIFICADO .....39

LAS INSTRUCCIONES DE SEGURIDAD .....40

PRECAUCIONES GENERALES DE SEGURIDAD .....40

GASOLINA Y VAPOR DE GASOLINA (GAS) .....41

SENSOR DE CO.....42

ETIQUETAS Y CALCOMANÍAS DE SEGURIDAD .....43

#### COMPONENTES

COMPONENTES DEL GENERADOR.....44

COMPONENTES DEL PANEL DE CONTROL .....45

CENTRO DE DATOS.....46

RECORDATORIOS DE MANTENIMIENTO.....46

#### MONTAJE

DESEMBALAJE .....47

CONTENIDO DE LA CAJA .....47

INSTALE LAS RUEDAS Y EL SOPORTE DE ELEVACIÓN ..48

LLENADO DE ACEITE INICIAL .....48

INSTALACIÓN DE LA BATERÍA .....49

COMBUSTIBLE .....49

#### OPERACIÓN

UBICACIÓN DEL GENERADOR .....51

TOMA DE TIERRA.....51

OPERACIÓN A GRAN ALTITUD.....52

INICIO REMOTO.....52

INACTIVO BAJO.....53

PERÍODO DE RODAJE .....53

ANTES DE ARRANCAR EL GENERADOR.....53

ARRANCAR EL MOTOR .....53

PARAR EL MOTOR.....54

FRECUENCIA DE USO .....54

DISYUNTORES DE CA.....54

**CAPACIDAD DEL GENERADOR .....54**

GESTIÓN DE ENERGÍA .....55

CABLES DE EXTENSIÓN .....55

TAMAÑO DEL CABLE DE EXTENSIÓN.....56

INTERRUPTOR ST.....56

TRANSPORTE.....56

#### MANTENIMIENTO

PROGRAMA DE MANTENIMIENTO .....58

RECORDATORIOS DE MANTENIMIENTO.....58

PIEZAS DE REPUESTO PARA MANTENIMIENTO .....58

MANTENIMIENTO DEL FILTRO DE AIRE.....58

COMPROBACIÓN DEL NIVEL DE ACEITE DEL MOTOR ...59

CAMBIO DE ACEITE DEL MOTOR .....59

MANTENIMIENTO DE BUJÍAS.....60

SERVICIO DE APAGACHISPAS.....61

FILTRO DE COMBUSTIBLE .....61

MANTENIMIENTO DE LA BATERÍA.....61

CAMBIO DE BATERÍA .....61

ALMACENAMIENTO.....62

JUEGO DE VÁLVULAS.....63

#### SOLUCIÓN DE PROBLEMAS

SOLUCIÓN DE PROBLEMAS .....64

# INTRODUCCIÓN

## INTRODUCCIÓN


**⚠ ADVERTENCIA:** La operación, el servicio y el mantenimiento de este equipo pueden exponerlo a sustancias químicas que incluyen gases de escape del motor, monóxido de carbono, ftalatos y plomo, que el estado de California reconoce como causantes de cáncer y defectos de nacimiento u otros daños reproductivos. Para minimizar la exposición, evite respirar los gases de escape y use guantes o lávese las manos con frecuencia cuando realice el mantenimiento de este equipo. Para obtener más información, visite [www.P65warnings.ca.gov](http://www.P65warnings.ca.gov).

## DESCARGOS DE RESPONSABILIDAD

Toda la información, ilustraciones y especificaciones de este manual estaban vigentes en el momento de su publicación. Las ilustraciones utilizadas en este manual están destinadas a ser vistas de referencia representativas únicamente. Nos reservamos el derecho de realizar cualquier cambio de especificación o diseño sin previo aviso.

## TODOS LOS DERECHOS RESERVADOS

Todos los derechos reservados. No se permite la reproducción de ninguna forma sin el permiso por escrito de Westinghouse Outdoor Power Equipment.

<b>⚠ ADVERTENCIA</b>	
	Lea este manual antes de usar o realizar el mantenimiento de este producto. El incumplimiento de las instrucciones y precauciones de seguridad de este manual puede provocar lesiones graves o la muerte.

## GUARDA ESTAS INSTRUCCIONES

### REGISTRACIÓN DEL PRODUCTO

Para una cobertura de garantía sin problemas, es importante registrar su generador Westinghouse.

Puede registrarse por:

- Completar y enviar por correo la tarjeta de registro del producto incluida en la caja.
- Registrando su producto en línea en: <https://westinghouseoutdoorpower.com/pages/warranty-registration>
- Escaneando el siguiente código QR con la cámara de su teléfono inteligente. Se le dirigirá al enlace de registro móvil.



- Envío de la siguiente información del producto a:

Westinghouse Outdoor Power  
Warranty registration  
777 Manor Park Drive  
Columbus, OH 43228

**IMPORTANTE:** Conserve su recibo de compra para una cobertura de garantía sin problemas.

### Para su archivo

Fecha de compra: \_\_\_\_\_

Número de modelo: \_\_\_\_\_

Número de serie: \_\_\_\_\_

Lugar de compra: \_\_\_\_\_

# ESPECIFICACIONES

## ESPECIFICACIONES

ESPECIFICACIONES	
Watts en funcionamiento:	12,000
Vatios pico:	15,000
Voltaje nominal:	120/240V
Frecuencia nominal:	60 Hz @ 3600 RPM
Fase:	Fase única
Distorsión armónica total:	≤ 5%
Desplazamiento del motor:	713 cc
Tipo de inicio:	Retroceso, arranque eléctrico, control remoto
Capacidad de combustible:	10.5 Gallons (40 Liters)
Tipo de combustible:	87–93 octane*
Capacidad de aceite:	1.16 Quart (1.1 Liter)
Tipo de aceite:	SAE 10W-30
Bujía:	TORCH F7TC
Espacio de la bujía:	0.024 – 0.032 in. (0.60 – 0.80 mm)
Válvula de admisión Despeje:	0.0031 – 0.0047 in. (0.08 – 0.12 mm)
Válvula de escape Despeje:	0.0051 – 0.0067 in. (0.13 – 0.17 mm)
Batería:	511092
Sistema de puesta a tierra de CA:	Unido al marco
Regulador de voltaje:	AVR
Tipo de alternador:	Cepillado
Temperatura ambiente máxima:	104°F (40°C)
Certificaciones:	<ul style="list-style-type: none"><li>• EPA</li><li>• CARB</li></ul>
* Contenido de etanol del 10% o menos. NO use E15 o E85.	

## ACTUALIZACIONES

El último manual de usuario para su generador Westinghouse se puede encontrar en nuestra pestaña de soporte.

<https://westinghouseoutdoorpower.com/pages/manuals>

O escanee el siguiente código QR con la cámara de su teléfono inteligente para dirigirse al enlace.



## AVISO

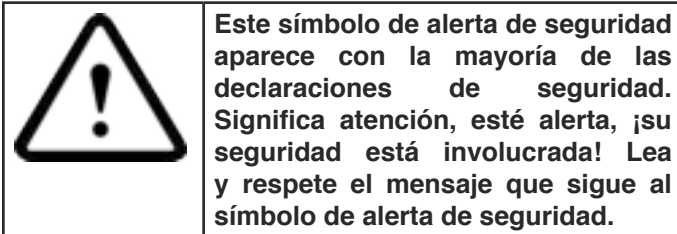
Este producto está diseñado y clasificado para un funcionamiento continuo a temperaturas ambiente de hasta 104 ° F (40 ° C). Si es necesario, este producto se puede utilizar a temperaturas que oscilan entre 5 ° F (-15 ° C) y 122 ° F (50 ° C) durante períodos cortos. Si el producto se expone a temperaturas fuera de este rango durante el almacenamiento, debe volver a colocarse dentro de este rango antes de su funcionamiento. Este producto siempre debe utilizarse al aire libre en un área bien ventilada y lejos de puertas, ventanas y otros conductos de ventilación.

El vataje y la corriente máximos están sujetos y limitados por factores como el contenido de BTU de combustible, la temperatura ambiente, la altitud, las condiciones del motor, etc. La potencia máxima disminuye aproximadamente un 3.5% por cada 1,000 pies sobre el nivel del mar, y también disminuirá aproximadamente un 1% por cada 10 ° F (6 ° C) por encima de 60 ° F (16 ° C) de temperatura ambiente.

## LA SEGURIDAD

### DEFINICIONES DE SEGURIDAD

Las palabras PELIGRO, ADVERTENCIA, PRECAUCIÓN y AVISO se utilizan en este manual para resaltar información importante. Asegúrese de que todos los que operan, realizan mantenimiento o se encuentran cerca del generador conozcan el significado de esta información de seguridad.



#### ⚠ PELIGRO

Indica una situación peligrosa que, si no se evita, provocará la muerte o lesiones graves.

#### ⚠ ADVERTENCIA

Indica una situación peligrosa que, si no se evita, podría provocar la muerte o lesiones graves.

#### ⚠ PRECAUCIÓN

Indica una situación peligrosa que, si no se evita, podría provocar lesiones leves o moderadas.

#### AVISO

Indica una situación que puede causar daños al generador, a la propiedad personal y / o al medio ambiente, o hacer que el equipo no funcione correctamente.

**Nota:** Indica un procedimiento, práctica o condición que se debe seguir para que el generador funcione de la manera prevista.

### ACTUALIZACIONES

El manual de usuario más reciente para su generador Westinghouse se puede encontrar en nuestra pestaña de soporte. <https://westinghouseoutdoorpower.com/pages/manuals> O escanee el siguiente código QR con la cámara de su teléfono inteligente para ser dirigido al enlace.



### SÍMBOLOS DE SEGURIDAD Y SIGNIFICADO

Siga toda la información de seguridad contenida en este manual y en el generador.

Símbolo	Descripción
	Símbolo de alerta de seguridad
	Riesgo de electrocución
	Peligro de asfixia
	Peligro de quemaduras. No toque superficies calientes.
	Peligro de descarga eléctrica
	Peligro de incendio
	Mantenga una distancia segura
	Peligro de levantamiento
	Leer las instrucciones del fabricante
	No operar en condiciones de humedad

#### ⚠ PELIGRO

Riesgo de incendio y electrocución. No lo conecte al sistema eléctrico de un edificio a menos que el generador y el interruptor de transferencia se hayan instalado correctamente y la salida eléctrica haya sido verificada por un electricista calificado. La conexión debe aislar la energía del generador de la energía de la red pública y debe cumplir con todas las leyes y códigos eléctricos aplicables.

#### ⚠ PELIGRO

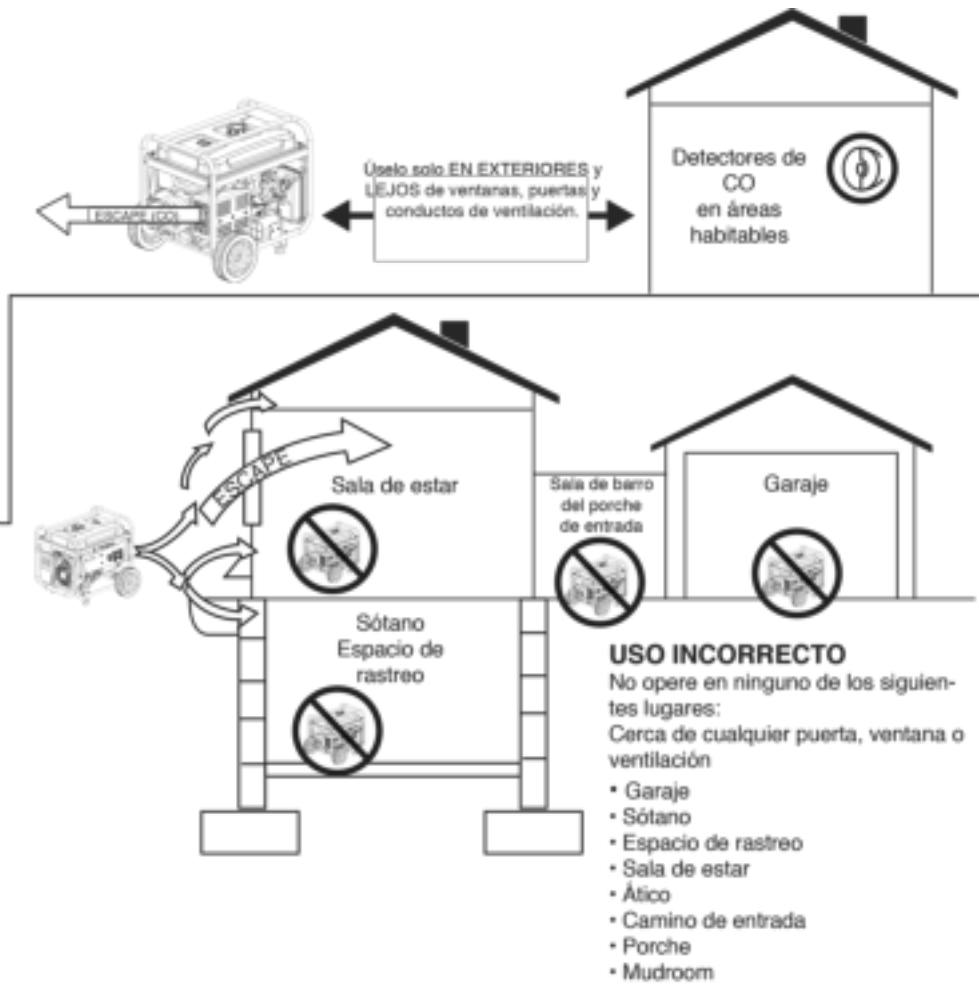
Riesgo de electrocución. Nunca use el generador en un lugar mojado o húmedo. Nunca esponga el generador a la lluvia, nieve, rocío de agua o agua estancada mientras esté en uso. Proteja el generador de todas las condiciones climáticas peligrosas. La humedad o el hielo pueden provocar un cortocircuito u otro mal funcionamiento en el circuito eléctrico.

# LA SEGURIDAD

## LAS INSTRUCCIONES DE SEGURIDAD

### USO CORRECTO

Ejemplo de ubicación para reducir el riesgo de intoxicación por monóxido de carbono. Úselo ÚNICAMENTE en exteriores y en dirección del viento, lejos de ventanas, puertas y conductos de ventilación. Dirija el escape lejos de los espacios ocupados.



### AVISO

Instale detectores de monóxido de carbono a batería o detectores de monóxido de carbono enchufables con respaldo de batería en las áreas habitables.

### ⚠ PELIGRO

Usar un generador en interiores PUEDE MATARLO EN MINUTOS. El escape del generador contiene monóxido de carbono. Este es un veneno que no se puede ver ni oler.



NUNCA lo use dentro de una casa o garaje, AUNQUE las puertas y ventanas estén abiertas.



Úselo solo EN EXTERIORES y lejos de ventanas, puertas y conductos de ventilación.

## PRECAUCIONES GENERALES DE SEGURIDAD

- Nunca use el generador para alimentar equipos de apoyo médico.
- No opere el generador cuando esté cansado o bajo la influencia de drogas, alcohol o medicamentos.
- Cuando este generador se utiliza para suministrar un sistema de cableado de un edificio, un electricista calificado debe instalar el generador y conectarlo a un interruptor de transferencia como un sistema derivado por separado de acuerdo con NFPA 70, Código Eléctrico Nacional.
- Úselo solo AFUERA y lejos de ventanas, puertas y rejillas de ventilación, según lo recomendado por los Centros para el Control y la Prevención de Enfermedades del Departamento de Salud y Servicios Humanos de EE. UU. Su hogar específico y/o las condiciones del viento pueden requerir una distancia adicional.
- Si comienza a sentirse enfermo, mareado o débil mientras usa el generador, muévase al aire libre INMEDIATAMENTE. Consulte a un médico, ya que puede tener una intoxicación por monóxido de carbono.



# LA SEGURIDAD

- Mientras opera y almacena, mantenga al menos cinco pies de espacio libre en todos los lados del generador, incluida la parte superior. Deje que el generador se enfríe un mínimo de 30 minutos antes de guardarlo. El calor generado por el silenciador y los gases de escape podría ser lo suficientemente caliente como para causar quemaduras graves y/o encender objetos combustibles
- NO use el generador con cables eléctricos desgastados, deshilachados, desnudos o dañados de otra manera.
- Todas las herramientas y aparatos eléctricos operados desde este generador deben estar debidamente conectados a tierra mediante el uso de un tercer cable o tener doble aislamiento.
- NO toque el silenciador ni el motor. Están muy CALIENTES y causarán quemaduras graves. No coloque partes del cuerpo ni materiales inflamables o combustibles en el camino directo del escape.
- Retire SIEMPRE cualquier herramienta u otro equipo de servicio utilizado durante el mantenimiento del generador antes de operarlo.
- Evite el contacto de la piel con aceite de motor o gasolina. Use ropa y equipo de protección. Lave toda la piel expuesta con agua y jabón.

## SEGURIDAD DEL COMBUSTIBLE

- Almacene el combustible en un recipiente aprobado para gasolina.
- No fume al llenar el generador con gasolina.
- Use protección para los ojos mientras reposta.
- Nunca quite la tapa de combustible cuando el generador esté funcionando. Apague el motor y deje que la unidad se enfríe durante al menos cinco minutos. Retire la tapa de combustible lentamente para liberar la presión, evitar que el combustible se escape alrededor de la tapa y evitar que el calor del silenciador encienda los vapores de combustible. Apriete la tapa de combustible de forma segura después de repostar.
- Nunca llene en exceso el tanque de combustible. Deje espacio para que el combustible se expanda. Llenar en exceso el tanque de combustible puede provocar un desbordamiento repentino de gasolina y provocar que la gasolina derramada entre en contacto con superficies CALIENTES.
- El combustible derramado puede encenderse. Si se derrama combustible sobre el generador, limpie cualquier derrame inmediatamente. Deseche el trapo correctamente. Permita que el área de combustible derramado se seque antes de operar el generador.
- Almacene cualquier recipiente que contenga gasolina en un área bien ventilada, lejos de cualquier combustible o fuente de ignición.

## GASOLINA Y VAPOR DE GASOLINA (GAS)

 **PELIGRO**

C

- La gasolina es altamente inflamable y explosivo.
- La gasolina puede provocar un incendio o una explosión si se enciende.
- En cualquier incendio de gas de petróleo, las llamas no se deben extinguir a menos que al hacerlo se pueda CERRAR la válvula de suministro de combustible. Esto se debe a que si se extingue un incendio y no se cierra el suministro de combustible, se podría crear un peligro de explosión.
- La gasolina se expande o contrae con la temperatura ambiente. Nunca llene el tanque de gasolina a su máxima capacidad, ya que la gasolina necesita espacio para expandirse si la temperatura aumenta.

# LA SEGURIDAD

## SENSOR DE CO

El sensor de monóxido de carbono (CO) controla la acumulación de monóxido de carbono venenoso alrededor del generador cuando el motor está en marcha. Si se detectan niveles peligrosos de gas CO, el sensor de CO apaga automáticamente el motor.

El sensor de CO también detectará la acumulación de monóxido de carbono de otras fuentes de combustión de combustible utilizadas en el área de operación. Por ejemplo, si el escape de las herramientas que queman combustible apunta a un generador equipado con sensor de CO, se puede iniciar un apagado debido a niveles de CO inseguros. Esto no es un error. Se ha detectado monóxido de carbono peligroso. Mueva y redirija cualquier fuente de quema de combustible adicional para disipar el monóxido de carbono lejos del personal y los edificios ocupados.






Los generadores están diseñados para usarse al aire libre, lejos de edificios ocupados y el escape apunta lejos del personal y los edificios. Si se usa incorrectamente y se opera en un lugar que resulta en la acumulación de CO, como en un área parcialmente cerrada, el sensor de CO apaga el motor. Una luz indicadora ROJA indicará que la unidad se apagó debido a que se detectó un nivel inseguro de CO alrededor del generador. Antes de acercarse al generador, permita que el CO se disipe alrededor del generador. El sensor de CO NO reemplaza las alarmas de monóxido de carbono. Instale alarmas de monóxido de carbono alimentadas por baterías en su hogar.

### ⚠ ADVERTENCIA

El apagado automático acompañado de una luz ROJA parpadeante en la parte del sensor de CO del panel de control es una indicación de que el generador no se ubicó correctamente. Si comienza a sentirse enfermo, mareado, débil o los detectores de monóxido de carbono en su hogar indican una alarma, salga al aire libre de inmediato. Llame a los servicios de emergencia. Es posible que tenga intoxicación por monóxido de carbono.

## APAGADO AUTOMÁTICO DE CO DEL PANEL DE CONTROL

## ETIQUETA DE ACCIÓN

<p><b>ACTION LABEL</b></p>  <p>ETIQUETA DE FUNCIONAMIENTO ÉTIQUETTE D'ACTION</p>	<p><b>AUTOMATIC SHUTOFF - YOU MUST:</b> ETIQUETA DE FUNCIONAMIENTO: ÉTIQUETTE D'ACTION:</p> 	  <ul style="list-style-type: none"> <li>• MOVE TO FRESH AIR.</li> <li>• GET MEDICAL HELP IF SICK, DIZZY OR WEAK.</li> <li>• MOVER AL AIRE LIBRE</li> <li>• OBTENER ATENCIÓN MÉDICA SI SE SIENTE ENFERMO, MAREADO O DÉBIL.</li> <li>• VOUS RETIRER À L'AIR FRAIS</li> <li>• CONSULTER UN MÉDECIN SI VOUS ÊTES MALADE, ÉTOURDI OU FAIBLE</li> </ul>	 <p><b>POINT</b> ORIENTAR DIRIGIR</p> <p><b>EXHAUST</b> EL TUBO DE ESCAPE L'ÉCHAPPEMENT</p> <p><b>AWAY</b> HACIA AFUERA LOIN DE VOUS</p>
<p><b>WARNING</b> ADVERTENCIA AVERTISSEMENT</p> <p>TAMPERING WITH CARBON MONOXIDE SENSOR COULD RESULT IN HAZARDOUS CONDITION HACER ALTERACIONES CON SENSOR DE MONÓXIDO DE CARBONO PODRÍA OCASIONAR CONDICIONES PELIGROSAS L'ALTÉRATION DE CAPTEUR DE MONOXYDE DE CARBONE PEUT ENTRAÎNER DES CONDITIONS DANGEREUSES</p>			

## CARBON MONOXIDE AUTO-SHUTOFF



**AUTOMATIC SHUTOFF**  
SEE ACTION LABEL

**CORTE AUTOMÁTICO**  
CONSULTE LA ETIQUETA  
DE ACCIÓN



**SERVICE GENERATOR**  
REALICE UN SERVICIO  
DEL GENERADOR

## LUCES INDICADORAS DEL SENSOR DE CO

Color	Descripción
<b>ROJO</b>	<p>Niveles peligrosos de monóxido de carbono acumulados alrededor del generador. Después del apagado, la luz indicadora ROJA en el área del sensor de CO del panel de control parpadeará para notificar que el generador se apagó debido a una acumulación de niveles de CO inseguros. La luz ROJA parpadeará durante al menos cinco minutos después de un corte de CO.</p> <p>Mueva el generador a un área abierta al aire libre lejos de los espacios ocupados con el escape apuntando hacia afuera. Una vez reubicado en un área segura y la luz roja está apagada, se puede reiniciar el generador. Introduzca aire fresco y ventile el área donde se apagó el generador.</p>
<b>AMARILLO</b>	<p>Ocurrió una falla en el sistema del sensor de CO. Cuando ocurre una falla en el sistema, el generador se apaga automáticamente y la luz indicadora AMARILLA en el área de apagado automático de CO del panel de control parpadeará para notificar que se ha producido una falla. La luz AMARILLA parpadeará durante al menos cinco minutos después de una falla. El generador puede reiniciarse, pero puede continuar apagándose. Una falla del sensor de CO solo puede ser diagnosticada y reparada por un centro de servicio autorizado de Westinghouse.</p>

# LA SEGURIDAD

## ETIQUETAS Y CALCOMANÍAS DE SEGURIDAD

**1 AIR FILTER | FILTRO DE AIRE | FILTRE À AIR**  
Clean filter every 50 hours of use! (see manual for instructions).  
Limpie el filtro cada 50 horas de uso! (ver el manual para instrucciones).  
Nettoyez le filtre toutes les 50 heures d'utilisation! (voir manuel pour les instructions).

**2 FUEL**  
OFF  
ON

**3 OIL FILL AND DIPSTICK CAPACITY: 1.6L**  
TO ADD OIL, UNSCREW CAP. FILL TO BOTTOM LIP WITH 15W-50 HIGH DETERGENT MOTOR OIL. CAPACITY OF OIL: 1.6L. CONSULT EL MANUAL. CAPACIDAD DE ACEITE: 1.6L. CONSULTAR EL MANUAL.

**4**  
AVANT DE RETIRER | BAJA | SPARK PLUGS  
CONSULTER LE MANUEL AVANT DE RETIRER | CONSULTA EL MANUAL ANTES DE RETIRAR | CONSULT MANUAL BEFORE REMOVING

**5**  
**12000/15000**  
RUNNING WATTS | PEAK WATTS

**6**  
TECHNICAL ASSISTANCE OR SERVICE CALL YOUR DEKOR  
Para la ayuda técnica y servicio técnico  
**1-855-944-3571**  
**3 YEAR LIMITED WARRANTY**

**7 Westinghouse**  
Rev. Level: \_\_\_\_\_  
Phase: Single  
AC Voltage: 120/240V  
AC Current: 100/50A  
Power (Rated): 12000W  
Power (Peak): 15000W  
Frequency: 60Hz  
RPM/TRIMM: 3600rpm  
Insul Class: H  
Max Amb Temp: 40°C (104°F)  
Duty Service: S1  
Power Factor: 1.0  
Serial No./No. de Serie: \_\_\_\_\_  
Register your product:

**8 CAUTION HOT SURFACES**  
**PRECAUCIÓN SUPERFICIES CALIENTES**  
**ATTENTION AUX SURFACES CHAUDES**

**9 10.5 Gal 40L**  
USE FUEL STABILIZER FOR STORAGE  
USE ONLY WESTINGHOUSE FUEL STABILIZER

**10**  
WARNING: Cancer and reproductive harm  
www.PSOWarnings.ca.gov/product  
ADVERTISSEMENT: Cancer et problèmes de reproduction  
www.PSOWarnings.ca.gov/product  
ADVERTENCIA: Cáncer y daños al sistema reproductor  
www.PSOWarnings.ca.gov/product

**11**  
DANGER | PELIGRO | DANGER

<p>1. Before using generator, read and understand the manual and label to learn all safety rules.</p> <p>2. Never use generator indoors. Always use outdoors in a well-ventilated area.</p> <p>3. Never use generator in a confined space.</p> <p>4. Never use generator in a garage, shed, or other enclosed space.</p> <p>5. Never use generator in a room with a flammable gas or liquid.</p> <p>6. Never use generator in a room with a flammable liquid or gas.</p> <p>7. Never use generator in a room with a flammable solid.</p> <p>8. Never use generator in a room with a flammable dust.</p> <p>9. Never use generator in a room with a flammable fiber.</p> <p>10. Never use generator in a room with a flammable metal.</p> <p>11. Never use generator in a room with a flammable liquid or gas.</p> <p>12. Never use generator in a room with a flammable solid.</p> <p>13. Never use generator in a room with a flammable dust.</p> <p>14. Never use generator in a room with a flammable fiber.</p> <p>15. Never use generator in a room with a flammable metal.</p>	<p>1. Before using generator, read and understand the manual and label to learn all safety rules.</p> <p>2. Never use generator indoors. Always use outdoors in a well-ventilated area.</p> <p>3. Never use generator in a confined space.</p> <p>4. Never use generator in a garage, shed, or other enclosed space.</p> <p>5. Never use generator in a room with a flammable gas or liquid.</p> <p>6. Never use generator in a room with a flammable liquid or gas.</p> <p>7. Never use generator in a room with a flammable solid.</p> <p>8. Never use generator in a room with a flammable dust.</p> <p>9. Never use generator in a room with a flammable fiber.</p> <p>10. Never use generator in a room with a flammable metal.</p> <p>11. Never use generator in a room with a flammable liquid or gas.</p> <p>12. Never use generator in a room with a flammable solid.</p> <p>13. Never use generator in a room with a flammable dust.</p> <p>14. Never use generator in a room with a flammable fiber.</p> <p>15. Never use generator in a room with a flammable metal.</p>	<p>1. Before using generator, read and understand the manual and label to learn all safety rules.</p> <p>2. Never use generator indoors. Always use outdoors in a well-ventilated area.</p> <p>3. Never use generator in a confined space.</p> <p>4. Never use generator in a garage, shed, or other enclosed space.</p> <p>5. Never use generator in a room with a flammable gas or liquid.</p> <p>6. Never use generator in a room with a flammable liquid or gas.</p> <p>7. Never use generator in a room with a flammable solid.</p> <p>8. Never use generator in a room with a flammable dust.</p> <p>9. Never use generator in a room with a flammable fiber.</p> <p>10. Never use generator in a room with a flammable metal.</p> <p>11. Never use generator in a room with a flammable liquid or gas.</p> <p>12. Never use generator in a room with a flammable solid.</p> <p>13. Never use generator in a room with a flammable dust.</p> <p>14. Never use generator in a room with a flammable fiber.</p> <p>15. Never use generator in a room with a flammable metal.</p>
--	--	--

**12**  
**DANGER**  
Using a generator indoors can kill you in minutes. Generator exhaust contains carbon monoxide. That's why you should never use a generator indoors. NEVER USE INSIDE A HOME OR GARAGE. EVER. If you use a generator outdoors, always use it in a well-ventilated area. NEVER USE IN A GARAGE, SHED, OR OTHER ENCLOSED SPACE. NEVER USE IN A ROOM WITH A FLAMMABLE GAS OR LIQUID. NEVER USE IN A ROOM WITH A FLAMMABLE SOLID. NEVER USE IN A ROOM WITH A FLAMMABLE DUST. NEVER USE IN A ROOM WITH A FLAMMABLE FIBER. NEVER USE IN A ROOM WITH A FLAMMABLE METAL.

**PELIGRO**  
El uso de generador en interiores puede matar en pocos minutos. El escape del generador contiene monóxido de carbono. Es un riesgo que se debe evitar en todo momento. NUNCA USE EN INTERIORES. NUNCA USE EN UN GARAJE, EN UN ALMACÉN O EN OTRO ESPACIO CERRADO. NUNCA USE EN UNA HABITACION CON GAS O LÍQUIDO INFLAMMABLES. NUNCA USE EN UNA HABITACION CON SÓLIDOS INFLAMMABLES. NUNCA USE EN UNA HABITACION CON POLVOS INFLAMMABLES. NUNCA USE EN UNA HABITACION CON FIBRAS INFLAMMABLES. NUNCA USE EN UNA HABITACION CON METALES INFLAMMABLES.

**13**  
FULL | COMPLETE | FULL  
EMPTY | VACUO | EMPTY

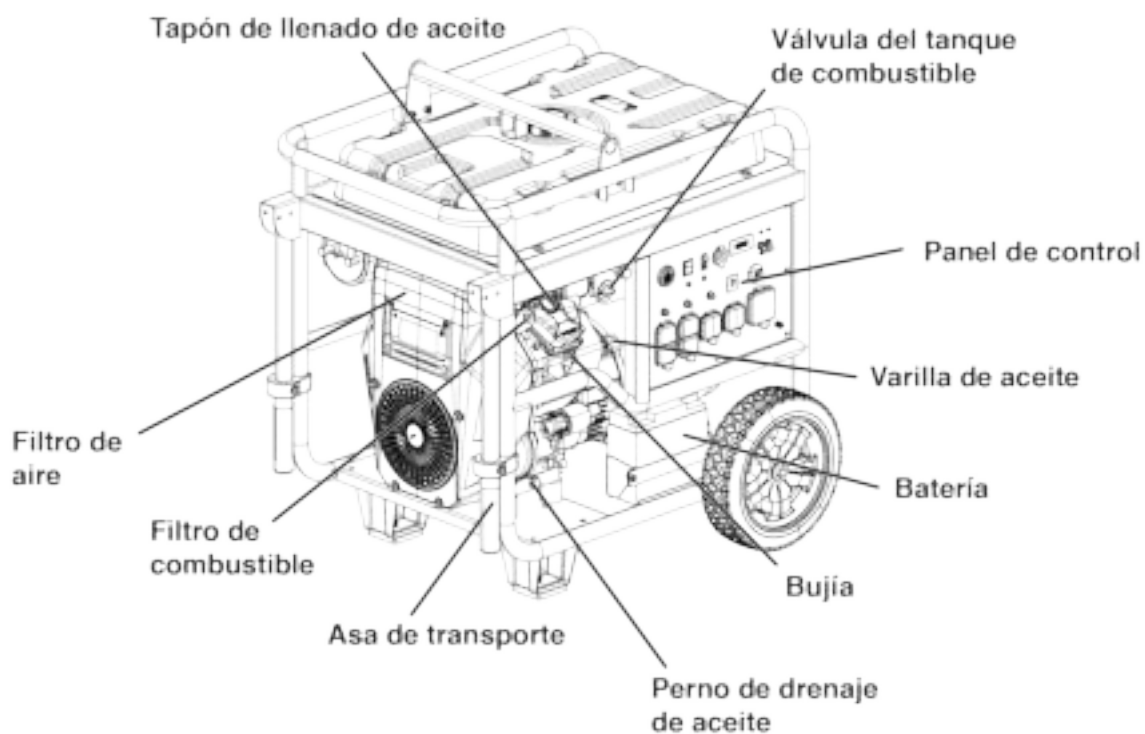
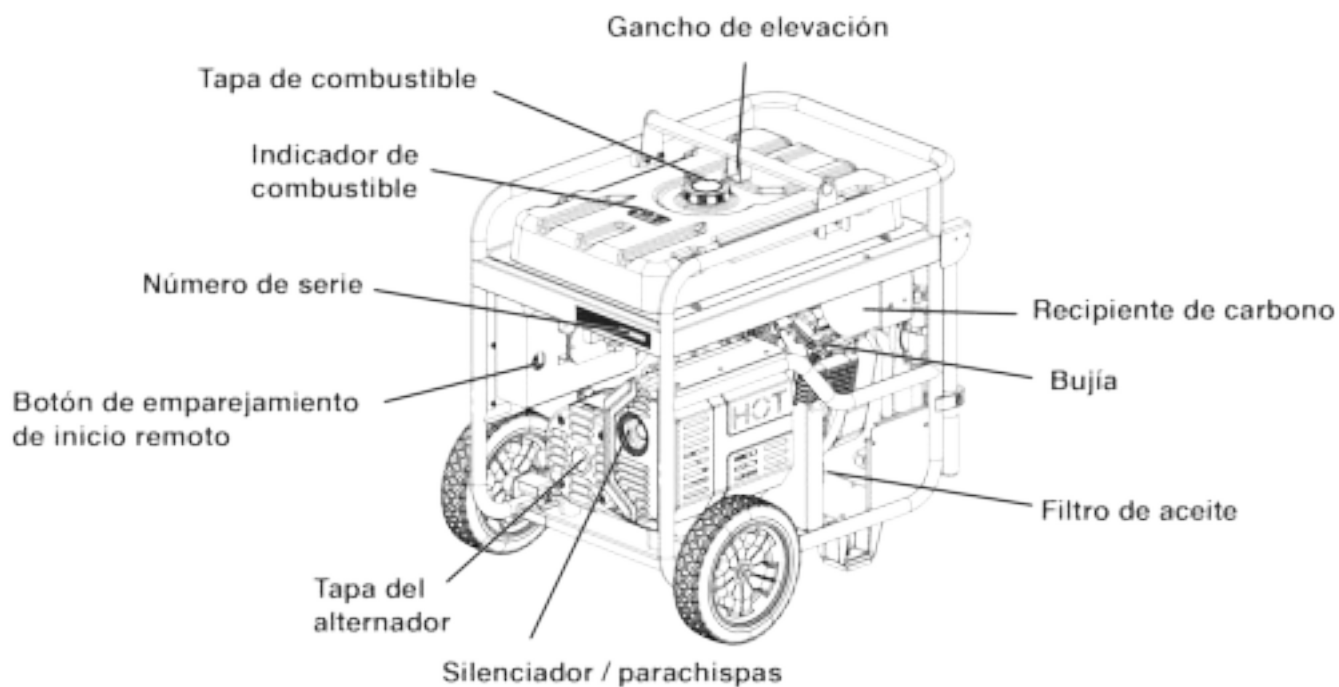
**15**  
**ACTION LABEL**  
AUTOMATIC SHUTOFF - YOU MUST: ETIQUETA DE FUNCIONAMIENTO: ETIQUETA D'ACCION:  
• MOVE GENERATOR TO AN OPEN, OUTDOOR AREA.  
• POINT EXHAUST AWAY.  
• POINT IN GENERATOR IN ENCLOSED AREAS (e.g., NOT IN HOUSE OR GARAGE).  
• OBIENIR EL TUBO DE ESCAPE HACIA FUERA.  
• NO ACIONAR EL GENERADOR EN AREAS CERRADAS (p.e., EN UNA CASA O GARAJE).  
• POSICIONAR LA GENERADORA EN UN ESPACIO EXTERIOR ABIERTO.  
• NE PAS FAIRE FONCTIONNER LA GENERATRICE DANS DES ENDROITS FERMÉS (comme dans la maison ou le garage).  
• MOVER AL AIRE LIBRE.  
• OBTENER ATENCION MEDICA SI SE SIENTE SÚBITO, MAREADO O DÉBIL.  
• VOUS RETIENIR À L'AIR FRAIS.  
• CONSULTER UN MÉDECIN SI VOUS ÊTES MALADE, ÉTOURDI OU FAIBLE.  
**WARNING**  
ADVERTENCIA  
AVERTISSEMENT  
TAMPERING WITH CARBON MONOXIDE SENSOR COULD RESULT IN HAZARDOUS CONDITION  
HACER ALTERACIONES CON SENSOR DE MONITOREO DE CARBONO PUEDE OCASIONAR CONDICIONES PELIGROSAS  
L'ALTERATION DE CAPTEUR DE MONITOREO DE CARBONE PEUT ENTRAINER DES CONDIIONS DANGEREUSES

**14**  
EZ START INSTRUCTIONS | INSTRUCCIONES DE INICIO | INSTRUCTIONS DE DÉMARRAGE  
STOP | STOP | STOP  
ELECTRIC START | REVERSE START  
STOP | STOP | STOP

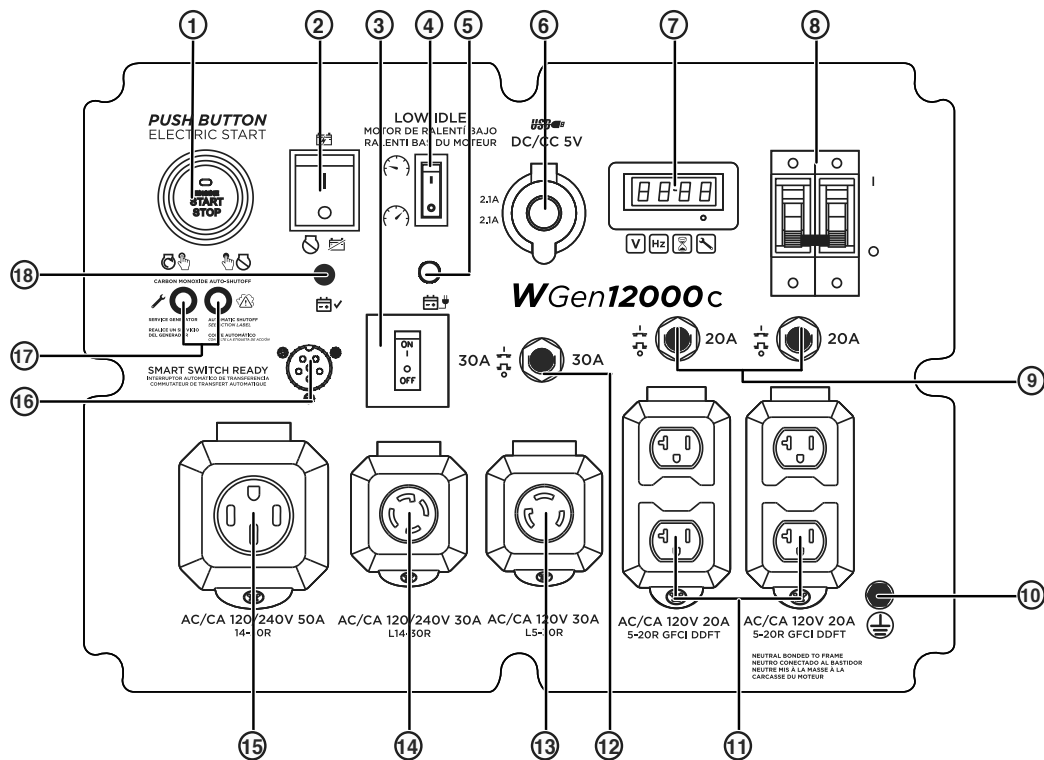
# COMPONENTES

## COMPONENTES

### COMPONENTES DEL GENERADOR



## COMPONENTES DEL PANEL DE CONTROL



1. **Botón de ARRANQUE / PARO:** presione una vez para arrancar el motor automáticamente. Presione nuevamente para detener el motor.
2. **Interruptor de batería:** Enciende y apaga la batería. Debe estar ENCENDIDO antes del arranque eléctrico o remoto.
3. **Disyuntor de CA de 30 amperios:** El disyuntor limita la corriente que se puede suministrar a través del receptáculo NEMA L14-30R a 30 amperios.
4. **Interruptor de ralentí bajo:** El ralentí bajo minimiza el consumo de combustible, el ruido y el desgaste del motor al reducir las RPM del motor durante el uso intermitente. Consulte la sección BAJA RALENTÍ para conocer las consideraciones de uso importantes.
5. **Puerto de carga de la batería:** Se utiliza para cargar la batería con el cargador de batería incluido.
6. **Puertos USB:** Salida USB de dos puertos 5V / 2.1A. Acepta enchufes USB tipo A.
7. **Centro de datos:** Muestra voltaje, frecuencia, contador de horas total y temporizador de funcionamiento / mantenimiento.
8. **Disyuntor principal:** El disyuntor principal controla la salida total de todas las salidas para proteger al generador de sobrecargas o cortocircuitos.
9. **Disyuntores de CA de 20 amperios:** Los disyuntores limitan la corriente que se puede suministrar a través de cada receptáculo NEMA 5-20R a 20 amperios.
10. **Terminal de tierra:** El terminal de tierra se utiliza para conectar a tierra externamente el generador.
11. **Receptáculos NEMA 5-20R GFCI de 120 voltios CA, 20 amperios:** Cada receptáculo es capaz de transportar un máximo de 20 amperios en un solo receptáculo o una combinación de ambos receptáculos.
12. **Disyuntor de CA de 30 amperios:** El disyuntor limita la corriente que se puede suministrar a través del receptáculo NEMA L5-30R a 30 amperios.
13. **Receptáculo NEMA L5-30R de 120 voltios CA, 30 amperios:** El receptáculo puede suministrar un máximo de 30 amperios.
14. **Receptáculo NEMA L14-30R de 120/240 voltios CA, 30 amperios:** El receptáculo puede suministrar 120 V o 240 V hasta 30 amperios.
15. **Receptáculo NEMA 14-50R de 120/240 voltios CA, 50 amperios:** El receptáculo puede suministrar 120 V o 240 V hasta 50 amperios.
16. **Salida de interruptor inteligente:** Conecta el interruptor Westinghouse ST (se vende por separado) al panel de control.
17. **Luces indicadoras del sensor de CO:** El sensor de CO controla la acumulación de gas venenoso de monóxido de carbono. Si se detectan niveles crecientes de gas CO, el sensor de CO apaga automáticamente el motor.
18. **Indicador de batería:** Indica que la energía está encendida. La luz permanecerá encendida mientras la unidad esté encendida.

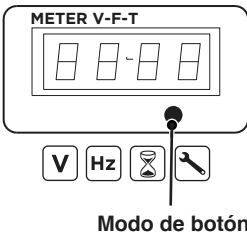
# COMPONENTES

## CENTRO DE DATOS


Utilice el botón Modo en el centro de datos para cambiar entre pantallas.

**Visualización de datos**

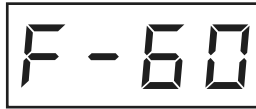
---




Modo de botón




**Voltaje:**  
Muestra la salida de voltaje actual



**Frecuencia (Hz):**  
Muestra la frecuencia de salida de potencia en hercios



**Horas de vida:**  
Muestra las horas de funcionamiento de la vida útil



**Tiempo de ejecución / mantenimiento:**  
Muestra el tiempo de ejecución actual. Se restablece a cero cuando se apaga. Se muestra un recordatorio de mantenimiento cuando es necesario.

## RECORDATORIOS DE MANTENIMIENTO

Los códigos de recordatorio de mantenimiento se mostrarán en la pantalla de datos según las horas de vida útil de la unidad. Los códigos de mantenimiento se mostrarán hasta que se apague la unidad. Consulte la sección Mantenimiento para conocer los procedimientos específicos.

Código de mantenimiento	Mantenimiento requerido
P25	Cambie el aceite del motor / reemplace el filtro de aceite
P50	Cambie el aceite del motor / reemplace el filtro de aceite, limpie el filtro de aire
P100	Cambie el aceite del motor / reemplace el filtro de aceite, limpie el filtro de aire, reemplace el filtro de combustible

## MONTAJE

### ⚠ PRECAUCIÓN

Peligro de peso. Siempre tenga ayuda cuando levante el generador.

Esta unidad se envía completamente ensamblada desde nuestra fábrica sin aceite en el motor. Debe ser debidamente reparado con combustible y aceite antes de la operación.

**Si tiene alguna pregunta sobre la preparación de su generador para el arranque inicial, comuníquese con nuestro equipo de servicio al [service@wpowereq.com](mailto:service@wpowereq.com) o llame al 1-855-944-3571.**

## DESEMBALAJE

1. Coloque la caja de envío sobre una superficie sólida y plana y ábrala con cuidado.
2. Retire y guarde el contenido de la caja.
3. Retire y deseche la bandeja de embalaje.
4. Desdoble la parte superior de la bolsa de plástico que encierra el generador.
5. Corte con cuidado las esquinas verticales de la caja para acceder al generador.
6. Recicle o deseche los materiales de embalaje de forma adecuada.

## CONTENIDO DE LA CAJA

- Generador
- Manual de usuario
- Guía de inicio rápido / Programa de mantenimiento
- Llavero de arranque remoto
- Botella de 1,7 cuartos de galón (1,6 litros) de aceite SAE 10W-30
- Cargador de batería
- Llave de tubo para bujías
- Embudo de aceite
- Llave de montaje
- Componentes de rueda y gancho de elevación

Artículo	Cantidad
• Gancho de elevación	1
• Perno de brida, M8	4
• Rueda	2
• Pasador del eje	2
• Lavadora	4
• Pasador de chaveta	4

**Si falta alguna pieza, comuníquese con nuestro equipo de servicio en [service@wpowereq.com](mailto:service@wpowereq.com) o llame al 1-855-944-3571.**

# MONTAJE

## INSTALE LAS RUEDAS Y EL SOPORTE DE ELEVACIÓN

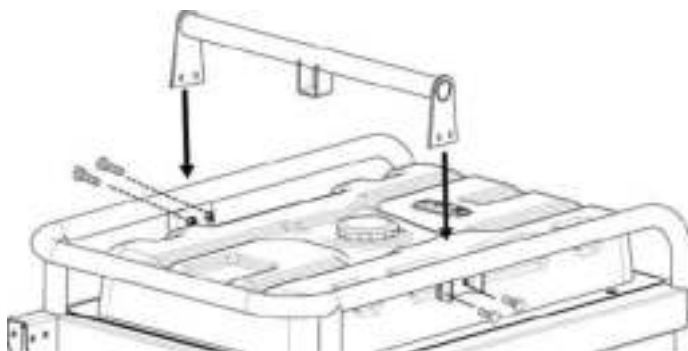
### AVISO

El montaje del generador requerirá levantar la unidad por un lado. Instale las ruedas antes de agregar combustible o aceite.

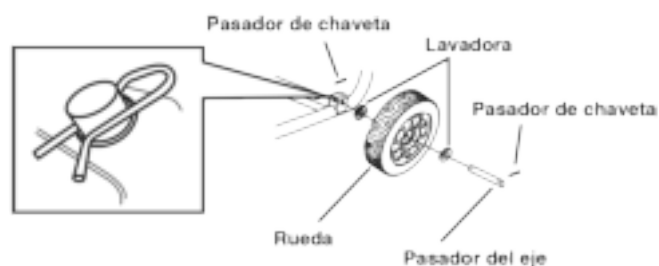
### ⚠ PRECAUCIÓN

Peligro de elevación. Utilice dos personas para instalar las ruedas. Consulte GANCHO DE ELEVACIÓN en la sección FUNCIONAMIENTO.

1. Coloque el generador sobre una superficie plana.
2. Alinee el soporte del gancho de elevación con los soportes de montaje en la parte superior del tanque de combustible. Asegure con cuatro pernos de brida M8.



3. Utilice el gancho de elevación para levantar la unidad lo suficiente para instalar las ruedas como se muestra.



**Nota:** Las ruedas solo están diseñadas para el transporte manual. Las ruedas no son adecuadas para remolcar el generador dentro o fuera de la carretera.

## LLENADO DE ACEITE INICIAL

### AVISO

**ESTE GENERADOR HA SIDO ENVIADO SIN ACEITE.** No intente arrancar o arrancar el motor antes de que haya recibido el servicio adecuado con el aceite recomendado. Si no agrega aceite de motor antes de arrancar, se producirán daños graves en el motor.

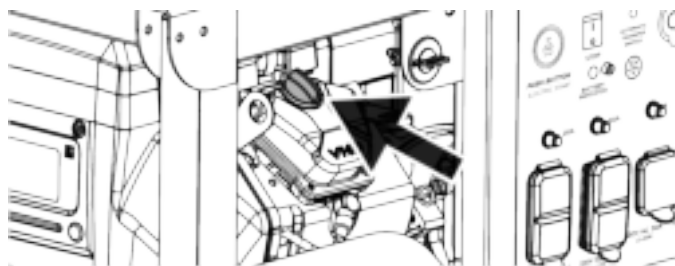
### AVISO

El uso de aceite de 2 tiempos / ciclo u otros tipos de aceite no aprobados puede causar daños graves al motor que no están cubiertos por la garantía.

El tipo de aceite recomendado incluido para uso típico es aceite de motor 10W-30. Si hace funcionar el generador en temperaturas extremas, consulte la siguiente tabla.

Tipo de aceite de motor recomendado								
		10W-30						
	5W-30						10W-40	
	5W-30 Synthetic							
°F	-20	0	20	40	60	80	100	120
°C	-28.9	-17.8	-6.7	4.4	15.6	26.7	37.8	48.9
Temperatura ambiente								

1. En una superficie nivelada, retire la tapa de llenado de aceite.



2. Usando el embudo y el aceite suministrados, agregue el aceite en el motor.
3. Vuelva a colocar la tapa de llenado de aceite y apriétela firmemente.

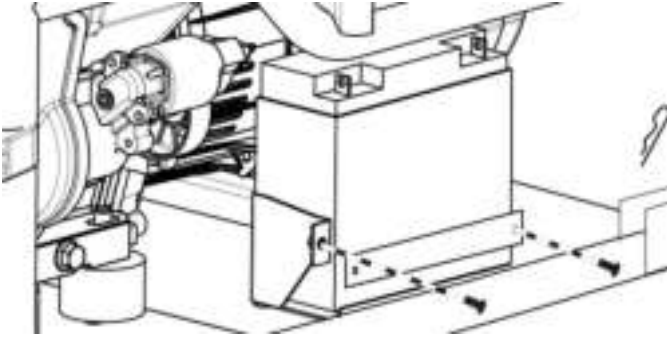


## INSTALACIÓN DE LA BATERÍA

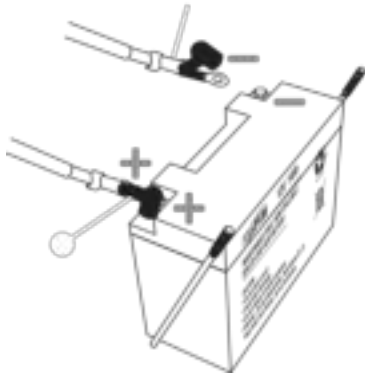
### ⚠ PRECAUCIÓN

Los bornes y terminales de la batería contienen plomo y compuestos de plomo. Lávese las manos después de manipularlos.

1. Retire los dos pernos de la placa de la batería y la placa de la batería. Incline la batería hacia adelante y retire.



2. Conecte el cable positivo (+) de la batería (funda roja) al borne positivo (+) de la batería. Asegure la funda sobre el borne de la batería.



3. Conecte el cable negativo (-) (funda negra) al borne negativo (-) de la batería y asegure la funda sobre el borne de la batería.
4. Instale la batería en la bandeja de la batería. Instale la placa de la batería y los pernos. Apriete los pernos firmemente.

## COMBUSTIBLE

### ⚠ ADVERTENCIA

Riesgo de incendio y explosión. Nunca use un recipiente de gasolina, tanque de gasolina o cualquier otro elemento de combustible que esté roto, cortado, rasgado o dañado.

### ⚠ PELIGRO

Riesgo de incendio y explosión. No llene demasiado el tanque de combustible. Llene solo hasta el anillo de llenado rojo ubicado en el filtro de malla de combustible en el tanque. El sobrellenado puede hacer que el combustible se derrame sobre el motor y cause un riesgo de incendio o explosión.

### ⚠ PELIGRO

Riesgo de incendio y explosión. Nunca reposte el generador con el motor en marcha. Siempre apague el motor y deje que el generador se enfríe durante dos minutos antes de repostar.

### AVISO



No utilice combustible E15 o E85 en este producto. La garantía no cubre los daños al motor o al equipo causados por combustible viejo o el uso de combustibles no aprobados (como mezclas de etanol E15 o E85). Utilice únicamente gasolina sin plomo que contenga hasta un 10% de etanol.

## REQUISITOS DE COMBUSTIBLE

- Gasolina sin plomo, fresca y magra, de 87 a 93 octanos.
- Se acepta hasta un 10% de etanol (gasohol) (cuando esté disponible; se recomienda combustible sin etanol).
- NO use E85 o E15.
- NO use una mezcla de gasóleo.
- NO modifique el motor para que funcione con combustibles alternativos.
- NO cargue combustible en interiores.
- NO cree una chispa o llama mientras reposta.

## USANDO ESTABILIZADOR DE COMBUSTIBLE

Agregar un estabilizador de combustible (no incluido) extiende la vida útil del combustible y ayuda a prevenir la formación de depósitos que pueden obstruir el sistema de combustible. Siga las instrucciones de uso del fabricante.

---

Siempre mezcle la cantidad correcta de estabilizador de combustible con gasolina en un recipiente de gasolina aprobado antes de cargar combustible al generador. Haga funcionar el generador durante cinco minutos para permitir que el estabilizador trate todo el sistema de combustible.

### LLENADO DEL TANQUE DE COMBUSTIBLE

1. Apague el generador y deje que se enfríe durante un mínimo de dos minutos antes de cargar combustible.
2. Coloque el generador en un terreno nivelado en un área bien ventilada.
3. Limpie el área alrededor de la tapa de combustible y retire la tapa lentamente.

#### AVISO

Llene el tanque únicamente con un recipiente de gasolina aprobado. Asegúrese de que el recipiente de gasolina esté limpio por dentro y en buenas condiciones para evitar la contaminación del sistema de combustible.

4. Agregue lentamente el combustible recomendado. No llene demasiado. Llene solo hasta el anillo de llenado máximo rojo en el filtro de malla de combustible visible en el cuello de llenado.



5. Instale la tapa de combustible. Apriete hasta que se escuche un clic.

#### AVISO

El combustible puede dañar la pintura y el plástico. Tenga cuidado al llenar el tanque de combustible. Los daños causados por el combustible derramado no están cubiertos por la garantía.

#### AVISO

Limpie los residuos del filtro de malla de combustible antes y después de cada repostaje. Quite el filtro de malla de combustible comprimiéndolo ligeramente mientras lo saca del tanque de combustible.



## OPERACIÓN

### UBICACIÓN DEL GENERADOR

Lea y comprenda toda la información de seguridad antes de encender el generador.

**⚠ PELIGRO**

Usar un generador en interiores PUEDE MATARLO EN MINUTOS. El escape del generador contiene monóxido de carbono. Este es un veneno que no se puede ver ni oler.

 <p>NUNCA lo use dentro de una casa o garaje, AUNQUE las puertas y ventanas estén abiertas.</p>	 <p>Úselo solo EN EXTERIORES y lejos de ventanas, puertas y conductos de ventilación.</p>
--	--

NUNCA opere el generador dentro de un edificio, incluidos garajes, sótanos, espacios de acceso, cobertizos, cerramientos o compartimentos, incluido el compartimento del generador de un vehículo recreativo.

**⚠ PELIGRO**

Riesgo de electrocución. Nunca use el generador en un lugar mojado o húmedo. Nunca exponga el generador a la lluvia, nieve, rocío de agua o agua estancada mientras esté en uso. Proteja el generador de todas las condiciones climáticas peligrosas. La humedad o el hielo pueden provocar un cortocircuito u otro mal funcionamiento en el circuito eléctrico. El uso de un generador o aparato eléctrico en condiciones de humedad, como lluvia o nieve, o cerca de una piscina o sistema de rociadores, o cuando sus manos están mojadas, puede resultar en electrocución.

**⚠ ADVERTENCIA**

Peligro de incendio. Utilice el generador únicamente sobre una superficie sólida y nivelada. Operar el generador en una superficie con material suelto, como arena o recortes de césped, puede hacer que el generador ingiera desechos que podrían bloquear las rejillas de ventilación o el sistema de admisión de aire. Deje que el generador se enfríe durante 30 minutos antes de transportarlo o almacenarlo.

El generador debe estar en una superficie plana y nivelada en todo momento (incluso cuando no esté en funcionamiento). El generador debe tener al menos 5 pies (1,5 m) de espacio libre de todo material combustible.

No opere el generador en la parte trasera de un SUV, caravana, remolque, caja de camión (regular, plana o de otro tipo), debajo de escaleras, cerca de paredes

o edificios, o en cualquier otro lugar que no permita el enfriamiento adecuado del generador y / o silenciador. NO contenga generadores durante el funcionamiento.

**⚠ PELIGRO**

Peligro de asfixia. Coloque el generador en un área bien ventilada. NO coloque el generador cerca de conductos de ventilación o entradas donde los gases de escape puedan entrar en espacios ocupados o confinados. Considere cuidadosamente las corrientes de aire y viento cuando coloque el generador.

### TOMA DE TIERRA

**⚠ ADVERTENCIA**

Peligro de choque. No conectar a tierra correctamente el generador puede provocar una descarga eléctrica.

**AVISO**

Utilice únicamente cables de extensión, herramientas y electrodomésticos de 3 clavijas con conexión a tierra, o herramientas y electrodomésticos con doble aislamiento.

El neutro del generador está vinculado al chasis. Hay un conductor permanente entre el generador (cable del estator) y el marco. Si este generador se va a usar solo con cables y enchufes conectados a receptáculos montados en el generador, el Código Eléctrico Nacional no requiere que la unidad esté conectada a tierra. Sin embargo, otros métodos de uso del generador pueden requerir conexión a tierra para reducir el riesgo de descarga eléctrica.

Antes de usar la terminal de tierra, consulte a un electricista calificado, inspector eléctrico o agencia local que tenga jurisdicción sobre los códigos u ordenanzas locales que se aplican al uso previsto del generador.

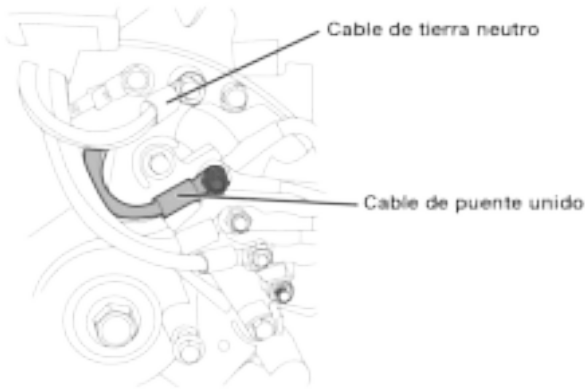
### DESCONEXIÓN DEL NEUTRO VINCULADO

Quitar el neutro atado desactiva la protección GFCI de las salidas 5-20R. El neutro empatado solo debe eliminarse en circunstancias específicas. Consulte a un electricista calificado para determinar si su situación requiere desconectar el neutro conectado.

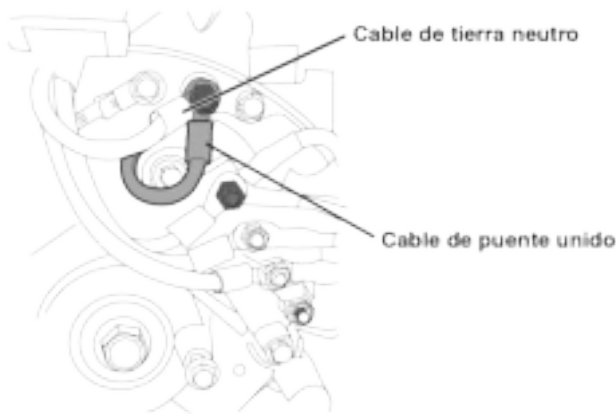
1. Retire la tapa del alternador.

# OPERACIÓN

2. Retire el cable de puente unido y vuelva a instalar la tuerca.



3. Retire la tuerca que sujeta el cable de tierra neutral y conecte el cable de puente unido. Reinstale la tuerca.



4. Vuelva a instalar la tapa del alternador.

**IMPORTANTE:** Aplique una nueva etiqueta “NEUTRO SIN PEGAR” sobre la etiqueta “NEUTRO PEGADO AL MARCO” en la parte frontal del panel de control.

## OPERACIÓN A GRAN ALTITUD

La potencia del motor se reduce cuanto más alto se opera sobre el nivel del mar. La producción se reducirá aproximadamente un 3,5% por cada 1000 pies de aumento de altitud desde el nivel del mar.

Se requiere un ajuste de gran altitud para el funcionamiento a altitudes superiores a los 2000 pies (762 m). El funcionamiento sin este ajuste provocará una disminución del rendimiento, un mayor consumo de combustible y un aumento de las emisiones.

### AVISO

No opere el generador en altitudes inferiores a 2.000 pies (762 m) con el kit de gran altitud instalado. Pueden ocurrir daños al motor.

**Kit de carburador de gran altitud** | **Parte# 518904**

## INICIO REMOTO

### ⚠ ADVERTENCIA

Verifique que el área alrededor del generador esté despejada antes de arrancar el generador a distancia.

El llavero de arranque remoto incluido con el generador debe estar conectado a la palanca de retroceso o al panel de control. Si su unidad se envió sin un llavero, comuníquese con el servicio al cliente de Westinghouse.

El generador se puede iniciar de forma remota desde hasta 99 pies (30 metros) utilizando el llavero de encendido remoto.

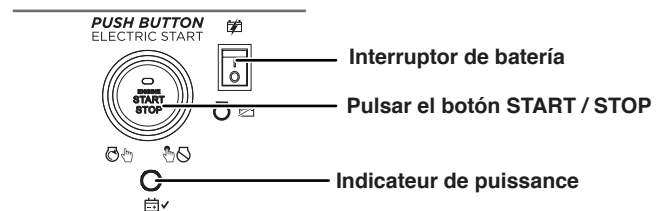
**Nota:** A medida que se agotan las baterías del llavero de encendido remoto, la distancia operativa disminuirá.

## EMPAREJANDO EL INICIO REMOTO

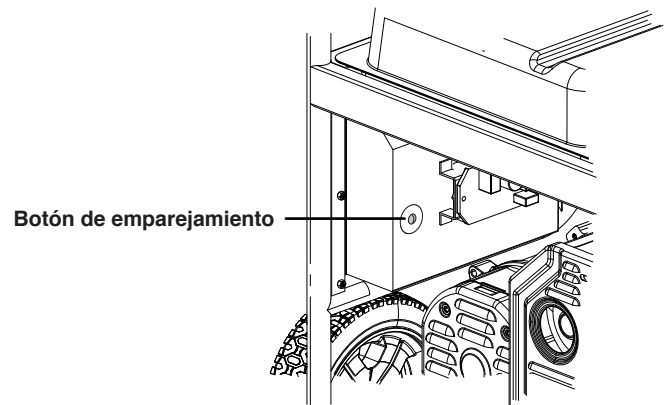
### Baterías de repuesto remotas: (2) CR2016

Si se reemplaza el llavero de arranque remoto o necesita volver a emparejarse con el generador, siga este procedimiento.

1. Gire el interruptor de la batería del generador a la posición ON. La luz indicadora de encendido se iluminará.



2. Mantenga presionado el botón de emparejamiento rojo en la parte posterior del panel de control hasta que se ilumine el botón START / STOP.



3. Appuyez sur le bouton STOP de la télécommande et maintenez-le enfoncé jusqu'à ce que l'éclairage du bouton START / STOP s'éteigne. Relâchez le bouton. Le bouton START / STOP s'allume une fois le bouton relâché.



4. Appuyez sur le bouton START de la télécommande et maintenez-le enfoncé jusqu'à ce que l'éclairage du bouton START / STOP s'éteigne. Relâchez le bouton. Le bouton START / STOP s'allumera une fois le bouton relâché.
5. Appuyez sur le bouton d'appairage sur le côté du panneau de commande jusqu'à ce que l'éclairage du bouton START / STOP s'éteigne. Relâchez le bouton.
6. Mettez l'interrupteur de la batterie du générateur en position OFF. La télécommande est maintenant couplée.

## INACTIVO BAJO

### AVISO

Siempre encienda el generador con el interruptor de ralentí bajo en OFF. Deje que la velocidad del motor se estabilice antes de encender el ralentí bajo.

### AVISO

La salida de frecuencia del generador depende de la velocidad del motor. NO use el ralentí bajo cuando alimente dispositivos electrónicos sensibles o grandes cargas de sobretensión, como un aire acondicionado, una bomba eléctrica, un refrigerador o cuando esté conectado a un interruptor de transferencia doméstico.

El ralentí bajo minimiza el consumo de combustible, el ruido y el desgaste del motor al reducir las RPM del motor a ralentí (2400 RPM) cuando las cargas eléctricas se han apagado y vuelve automáticamente a la velocidad nominal cuando las cargas se vuelven a encender.

Encienda el ralentí bajo cuando encienda cargas intermitentes no electrónicas, como herramientas eléctricas en un lugar de trabajo.

## PERÍODO DE RODAJE

Para un rodaje adecuado, no exceda el 50% de los vatios de funcionamiento nominales (6000 vatios) durante las primeras cinco horas de funcionamiento.

Varíe la carga ocasionalmente para permitir que los devanados del estator se calienten y enfríen y ayuden a asentar los anillos del pistón.

## ANTES DE ARRANCAR EL GENERADOR

Comprueba eso:

- El generador se coloca en un lugar seguro y apropiado.
- El generador está sobre una superficie seca, plana y nivelada.
- El motor está lleno de aceite.
- Todas las cargas están desconectadas.

### ⚠ PELIGRO

Riesgo de incendio y explosión. NO mueva ni incline el generador durante el funcionamiento.

## ARRANCAR EL MOTOR

Durante el encendido con botón o remoto, el motor configurará automáticamente el estrangulador y comenzará la secuencia de arranque. Si el motor no arranca, el generador intentará arrancar el motor dos veces más. El interruptor de la batería se puede apagar en cualquier momento durante la secuencia de arranque automático para abortar el intento de arranque del motor.

Si la velocidad de arranque disminuye después de cada intento fallido, es posible que la batería no se cargue adecuadamente. Puede usar el cargador provisto para cargar la batería enchufándolo al puerto de carga de la batería en el panel de control.

1. Verifique que haya combustible en el tanque de gasolina.
2. Gire el interruptor selector de combustible en el panel de control a funcionamiento con gasolina.
3. Gire la válvula del tanque de combustible a la posición ON.



FUEL VALVE  
VÁLVULA DE GASOLINA  
SOUPAPE DE CARBURANT

4. Empuje el interruptor de la batería a la posición ON.
5. Elija el método de inicio:

- a. **Arranque remoto:** mantenga presionado el botón START en el llavero de arranque remoto durante un segundo.

**Nota:** Los generadores equipados con arranque remoto deben reiniciarse con el interruptor START/STOP en el panel de control después de que ocurra un apagado automático.

# OPERACIÓN

**b. Arranque con botón pulsador:** Mantenga pulsado el botón ARRANQUE / PARO del motor durante dos segundos.

## PARAR EL MOTOR

1. Apague y desenchufe todas las cargas eléctricas conectadas.

**IMPORTANTE:** Nunca arranque ni detenga el generador con dispositivos eléctricos conectados.

2. Deje que el generador funcione sin carga durante varios minutos para estabilizar las temperaturas internas del motor.

3. Mantenga presionado el botón START / STOP durante un segundo o presione STOP en el llavero de inicio remoto durante un segundo.

**Nota:** Alternativamente, si el generador se usa con poca frecuencia, gire la válvula del tanque de combustible a la posición de APAGADO para limitar el combustible residual que queda en la taza del flotador del carburador. El motor se detendrá cuando se agote el combustible en el carburador y la línea de combustible..

4. Empuje el interruptor de la batería a la posición de APAGADO.

5. Si funciona con GLP, gire la válvula del tanque de propano a la posición completamente cerrada.

## FRECUENCIA DE USO

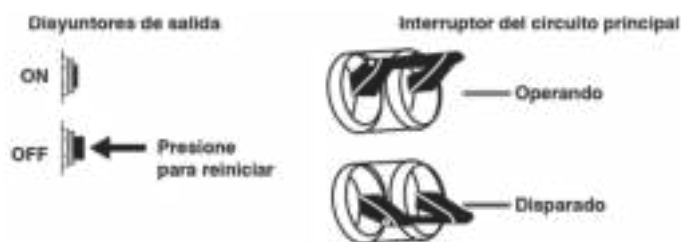
Si el generador se utilizará de forma poco frecuente o intermitente (más de un mes antes del próximo uso), consulte las secciones de mantenimiento y almacenamiento de la batería de este manual para obtener información sobre la carga de la batería y el deterioro del combustible.

## DISYUNTORES DE CA

Los disyuntores se apagarán automáticamente si hay un cortocircuito o una sobrecarga significativa del generador en cada receptáculo.

Si un disyuntor de CA se APAGA automáticamente, verifique que el aparato esté funcionando correctamente y que no exceda la capacidad de carga nominal del circuito antes de reiniciar el disyuntor de CA en ON.

El disyuntor principal controla la salida total de todas las salidas para proteger al generador de sobrecargas o cortocircuitos.



## CAPACIDAD DEL GENERADOR

### AVISO

No sobrecargue la capacidad del generador. Exceder la capacidad de vataje / amperaje del generador puede dañar el generador y / o los dispositivos eléctricos conectados a él.

Asegúrese de que el generador pueda suministrar suficientes vatios continuos (en funcionamiento) y de sobretensión (arranque) para los elementos que alimentará al mismo tiempo.

Se deben considerar los requisitos de potencia total (voltios x amperios = vatios) de todos los aparatos conectados. Los fabricantes de electrodomésticos y herramientas eléctricas suelen incluir información de clasificación cerca del modelo o número de serie.

Para determinar los requisitos de energía:

1. Seleccione los elementos que alimentará al mismo tiempo.
2. Sume los vatios continuos (en funcionamiento) de estos artículos. Esta es la cantidad de energía que debe producir el generador para mantener los elementos en funcionamiento. Consulte la tabla de referencia de potencia en la página siguiente.
3. Calcule cuántos vatios de sobretensión (arranque) necesitará. El vataje de sobretensión es la breve ráfaga de energía necesaria para arrancar herramientas o aparatos accionados por motor eléctrico, como una sierra circular o un refrigerador. Debido a que no todos los motores arrancan al mismo tiempo, los vatios de sobretensión totales se pueden estimar agregando solo los elementos con los vatios de sobretensión adicionales más altos al total de vatios nominales del paso 2.

### Ejemplo:

Herramienta o aparato	Ejecución de Watts *	Watts de arranque*
TV (tipo de tubo)	300	0
Refrigerador RV	180	600
Radio	200	0
Ligera (75 vatios)	300	0

Cafetera	600	0
Total	1580	600
		Watts iniciales más altos *
Vatios totales en funcionamiento		1580
Watts iniciales más altos		+ 600
Total de vatios iniciales necesarios		2180

\* Las potencias indicadas son aproximadas. Verifique la potencia real.

## GESTIÓN DE ENERGÍA

Para prolongar la vida útil del generador y los dispositivos conectados, tenga cuidado al agregar cargas eléctricas al generador. No debe haber nada conectado a las salidas del generador antes de arrancar el motor. La forma correcta y segura de administrar la energía del generador es agregar cargas secuencialmente de la siguiente manera:

1. Sin nada conectado al generador, arranque el motor como se describe en este manual.
2. Enchufe y encienda la primera carga, preferiblemente la carga más grande que tenga.
3. Permita que la salida del generador se estabilice (el motor funciona sin problemas y el dispositivo conectado funciona correctamente).
4. Enchufe y encienda la siguiente carga.
5. Nuevamente, permita que el generador se estabilice.
6. Repita los pasos 4 y 5 para cada carga adicional.

### Referencia de potencia

Herramienta o aparato	Watts de funcionamiento estimados *	Watts iniciales estimados *
Luces incandescentes (4 cantidades x 75 vatios)	300	0
TV (tipo de tubo)	300	0
Bomba de sumidero (1/3 hp)	800	1300
Refrigerador o congelador	700	2200
Bomba de pozo (1/3 hp)	1000	2000
Radio	200	0
Taladro (3/8 ", 4 amperios)	440	600
Sierra circular (Servicio pesado, 7-1 / 4 ")	1400	2300
Sierra de inglete (10 ")	1800	1800
Sierra de mesa (10 ")	2000	2000

\* Las potencias indicadas son aproximadas. Verifique la potencia real.

## CABLES DE EXTENSIÓN

### ⚠ ADVERTENCIA

Peligro de asfixia. Los cables de extensión que llegan directamente a la casa aumentan el riesgo de intoxicación por monóxido de carbono a través de las aberturas. Si se utiliza un cable de extensión que llega directamente a su casa para alimentar elementos de interior, existe el riesgo de intoxicación por monóxido de carbono para las personas dentro de la casa. Utilice siempre detectores de monóxido de carbono a batería que cumplan con los estándares de seguridad UL 2034 actuales cuando haga funcionar el generador. Compruebe periódicamente la batería de los detectores.

### ⚠ ADVERTENCIA

Peligro de asfixia. Cuando opere el generador con cables de extensión, asegúrese de que el generador esté ubicado en un área abierta al aire libre, al menos a 20 pies (6 m) de los espacios ocupados con el escape apuntando hacia afuera.

### ⚠ ADVERTENCIA

Riesgo de incendio y electrocución. Nunca use cables de extensión gastados o dañados. Los cables de extensión dañados o sobrecargados podrían sobrecalentarse, formarse un arco y quemarse y provocar la muerte o lesiones graves.

Antes de conectar un aparato de CA o un cable de alimentación al generador:

- Use cables de extensión, herramientas y electrodomésticos de tres clavijas con conexión a tierra, o herramientas y electrodomésticos con doble aislamiento.
- Asegúrese de que la herramienta o el aparato estén en buenas condiciones de funcionamiento. Los electrodomésticos o cables de alimentación defectuosos pueden crear una posible descarga eléctrica.
- Asegúrese de que la clasificación eléctrica de la herramienta o aparato no exceda la potencia nominal del generador o del receptáculo que se está utilizando.

# OPERACIÓN

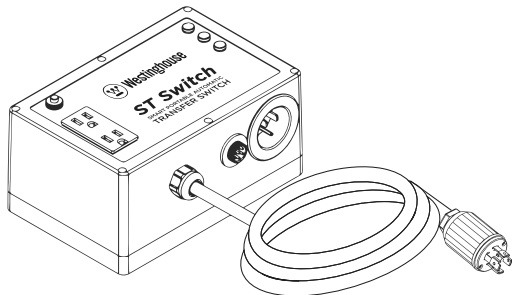
## TAMAÑO DEL CABLE DE EXTENSIÓN

Utilice únicamente cables de extensión de 3 clavijas con conexión a tierra marcados para uso en exteriores que estén clasificados para la carga eléctrica.

Total Amperaje	Calibre mínimo, clasificado para exteriores	
	Hasta 50 FT (15 M)	Hasta 100 FT (30 M)
Hasta 10A	12	8
Hasta 15A	10	8
Hasta 20A	10	6
Hasta 30A	8	6
Hasta 35A	6	6

## INTERRUPTOR ST

El generador es compatible con el ST Switch, que se compra por separado. Cuando la energía de la red pública está encendida, proporcionará energía (hasta 120 V a 20 A) a los aparatos conectados al receptáculo 5-20R del interruptor ST. Cuando se pierde la energía de la red, el interruptor ST transfiere automáticamente la energía de entrada de la red a la del generador. Cuando se restablece la energía de la red pública, el interruptor ST transfiere la energía de entrada a la red pública. Visite [www.westinghouseoutdoorpower.com](http://www.westinghouseoutdoorpower.com) para obtener más información.



## TRANSPORTE

### ⚠ PRECAUCIÓN

Peligro de peso. Siempre tenga ayuda cuando levante el generador.

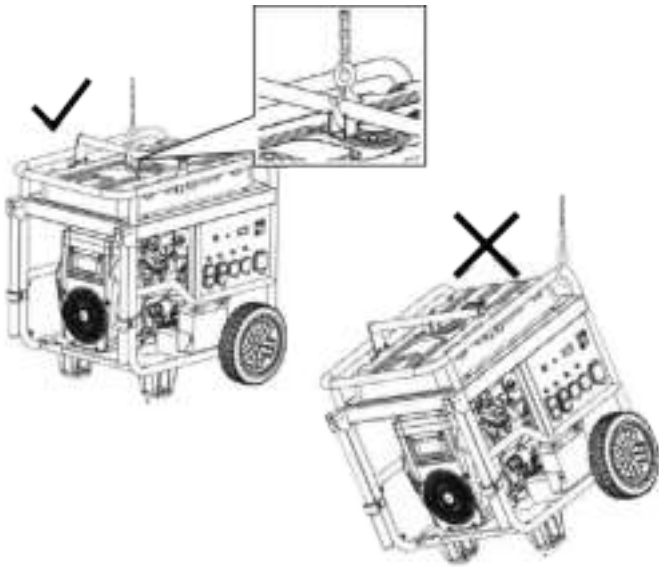
- Deje que el generador se enfríe un mínimo de 30 minutos antes de transportarlo.
- Reemplace todas las cubiertas protectoras en el panel de control del generador.
- Mantenga la unidad nivelada durante el transporte para minimizar la posibilidad de fugas de combustible o, si es posible, drene el combustible o haga funcionar el motor hasta que el tanque de combustible esté vacío antes del transporte.
- Las ruedas del generador solo están diseñadas para el transporte manual. Las ruedas no son adecuadas para remolcar el generador dentro o fuera de la carretera.
- Utilice el asa extensible para el transporte manual de una sola persona. Utilice la manija únicamente cuando el generador esté APAGADO, parado y apoyado sobre una superficie horizontal. No use la manija para levantar el generador completamente del suelo, remolcarlo o ponerlo.

### ⚠ PRECAUCIÓN

Peligro de incendio. No apague completamente el generador. Se pueden producir fugas de combustible o aceite y se pueden producir daños en el generador.



## SOPORTE DE ELEVACIÓN



Utilice únicamente el gancho de elevación para levantar la unidad o sujetar cualquier restricción de carga, como cuerdas o correas de sujeción. No intente levantar o asegurar el generador sujetándose a ninguno de sus otros componentes.

Antes de levantar el generador, inspeccione el soporte y asegúrese de que esté bien sujeto al generador. No levante el generador a menos que el soporte de elevación esté bien sujeto.

1. Enganche una cadena o correa a través del ojo del soporte de elevación y asegúrese de que esté bien sujeto.
2. Conecte un dispositivo de elevación adecuado a la cadena o correa. Inspeccione la cadena y el gancho en busca de eslabones dañados o defectos que puedan causar fallas. Se recomienda utilizar ganchos con pestillos de seguridad instalados.
3. Levante el generador ligeramente para asegurarse de que se eleva recto y nivelado.

# MANTENIMIENTO

## MANTENIMIENTO

### PROGRAMA DE MANTENIMIENTO

El mantenimiento regular mejorará el rendimiento y extenderá la vida útil del generador. Siga los intervalos horarios o de calendario, lo que ocurra primero. Se requiere un servicio más frecuente cuando se opera en condiciones adversas como se indica a continuación.

Antes de cada uso
Revise el aceite del motor Revise el filtro de aire
Después de las primeras 20 horas o el primer mes
Cambiar el aceite del motor <sup>1</sup>
Después de 50 horas o cada 6 meses
Filtro de aire limpio <sup>2</sup>
Después de 100 horas o cada 6 meses
Cambiar el aceite del motor <sup>1</sup> Inspeccione / limpie el parachispas Inspeccione / limpie la bujía Reemplace el filtro de combustible Recipiente del flotador limpio <sup>3</sup>
Después de 300 horas o cada año
Reemplace la bujía Reemplazar filtro de aire Reemplace el filtro de aceite fino Inspeccionar / ajustar la holgura de la válvula <sup>3</sup>
Cada 2 años
Reemplace la tubería de combustible

- <sup>1</sup> Cambie el aceite cada mes cuando opere bajo carga pesada o en altas temperaturas.
- <sup>2</sup> Limpie con más frecuencia en condiciones de suciedad o polvo. Reemplace el filtro de aire si no se puede limpiar adecuadamente.
- <sup>3</sup> Recomiende que el servicio lo realice un distribuidor de servicio autorizado de Westinghouse.

### RECORDATORIOS DE MANTENIMIENTO

Los códigos de recordatorio de mantenimiento se mostrarán en la pantalla de datos según las horas de vida útil de la unidad. Los códigos de mantenimiento se mostrarán hasta que se apague la unidad. Consulte la sección Mantenimiento para conocer los procedimientos específicos.

Código de mantenimiento	Mantenimiento requerido
P25	Cambia el aceite del motor
P50	Cambie el aceite del motor, limpie el filtro de aire

Código de mantenimiento	Mantenimiento requerido
P100	Cambie el aceite del motor, limpie el filtro de aire, reemplace el filtro de combustible

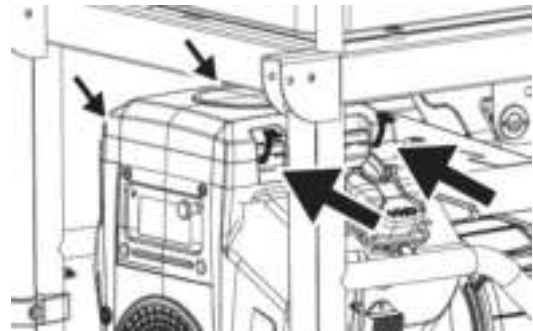
### PIEZAS DE REPUESTO PARA MANTENIMIENTO

Descripción	Part Number
Filtro de aire de espuma	5061
Arandela de presión del tapón de drenaje de aceite	94004
Batería, 18 AH	511092
Filtro de combustible	516401
Bujía	97108 (F7TC)
Supresor de chispas	6859

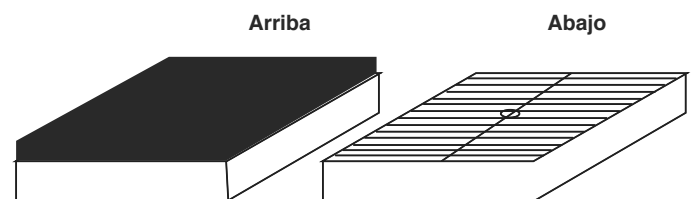
### MANTENIMIENTO DEL FILTRO DE AIRE

El filtro de aire debe limpiarse cada 50 horas de uso o cada seis meses (la frecuencia debe aumentarse si el generador se opera en un ambiente polvoriento).

- Coloque el generador en una superficie nivelada y deje que el motor se enfríe durante varios minutos.
- Suelte los cuatro clips y luego retire la cubierta del filtro de aire.



- Retire el filtro de aire y límpielo con aire comprimido. NO sumerja el filtro en líquidos ni agregue aceite.
- Instale el filtro de aire en la carcasa, asegurándose de que esté correctamente orientado y asentado en la carcasa.



- Instale la cubierta del filtro de aire y asegúrela con los clips de la cubierta.

# MANTENIMIENTO

6. Retire el filtro de aire de espuma y lávelo sumergiendo el elemento en una solución de jabón detergente doméstico y agua tibia. Apriete lentamente la espuma para limpiar completamente.

## AVISO

NO retuerza ni rasgue el elemento del filtro de aire de espuma durante la limpieza o el secado. Aplique solo una acción de apriete lenta pero firme.

7. Enjuague el elemento del filtro de aire sumergiéndolo en agua dulce y aplicando una acción de presión lenta. Deje que el filtro se seque completamente.

## AVISO

No contaminar. Siga las pautas de la EPA u otras agencias gubernamentales para la eliminación adecuada de materiales peligrosos. Consulte a las autoridades locales o al centro de recuperación.

8. Sumerja el filtro de aire de espuma en aceite de motor limpio y luego exprima todo el exceso de aceite. El motor echará humo al arrancar si queda demasiado aceite en el filtro.
9. Instale el filtro de aire de espuma en la carcasa, luego el filtro de aire grueso. Instale la tapa del filtro de aire y asegúrela con los clips de la tapa.

## COMPROBACIÓN DEL NIVEL DE ACEITE DEL MOTOR

### ⚠ PRECAUCIÓN

Evite el contacto de la piel con el aceite del motor. Use ropa y equipo de protección. Lave toda la piel expuesta con agua y jabón.

## AVISO

Utilice siempre el aceite de motor especificado. No utilizar el aceite de motor especificado puede provocar un desgaste acelerado y / o acortar la vida útil del motor.

Cuando utilice el generador en condiciones extremas, sucias, polvorientas o en un clima extremadamente caluroso, cambie el aceite con más frecuencia.

La temperatura ambiente del aire afectará el rendimiento del aceite del motor. Cambie el tipo de aceite de motor utilizado según las condiciones climáticas.

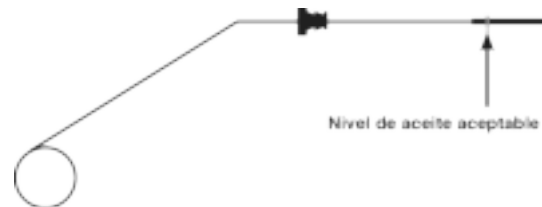
Tipo de aceite de motor recomendado									
		10W-30							
		5W-30				10W-40			
		5W-30 Synthetic							
°F	-20	0	20	40	60	80	100	120	
°C	-28.9	-17.8	-6.7	4.4	15.6	26.7	37.8	48.9	
Temperatura ambiente									

Compruebe el nivel de aceite del motor antes de cada uso o cada 8 horas de funcionamiento.

1. Coloque el generador en una superficie nivelada y deje que el motor se enfríe durante varios minutos.
2. Retire la varilla de nivel de aceite y límpiela.
3. Insertar, quitar la varilla de nivel de aceite.

**Nivel de aceite aceptable:** en el lado plano de la varilla de nivel, el aceite es visible hasta la primera muesca.

**Bajo nivel de aceite:** el aceite está por debajo de la primera muesca de la varilla de nivel.



4. Si está bajo, retire la tapa de llenado de aceite y agregue el aceite de motor recomendado gradualmente y vuelva a verificar hasta que el nivel esté en la muesca superior de la varilla de medición. No llene demasiado. Si está sobre la muesca superior en la varilla, drene el aceite para reducir el nivel de aceite a la marca de lleno.
5. Reemplace la varilla medidora de aceite y la tapa de llenado de aceite.

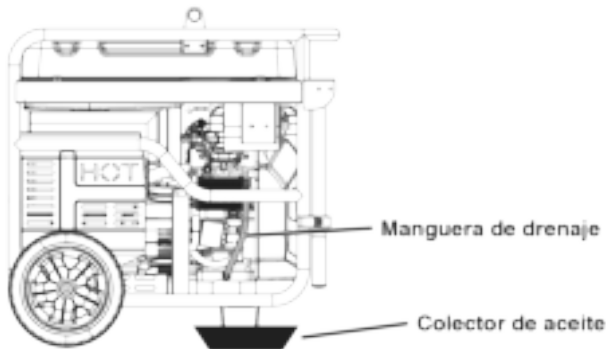
## CAMBIO DE ACEITE DEL MOTOR

Cuando utilice el generador en condiciones de mucho polvo o clima extremadamente caluroso, cambie el aceite con más frecuencia. Cambie el aceite mientras el motor aún está caliente por la operación.

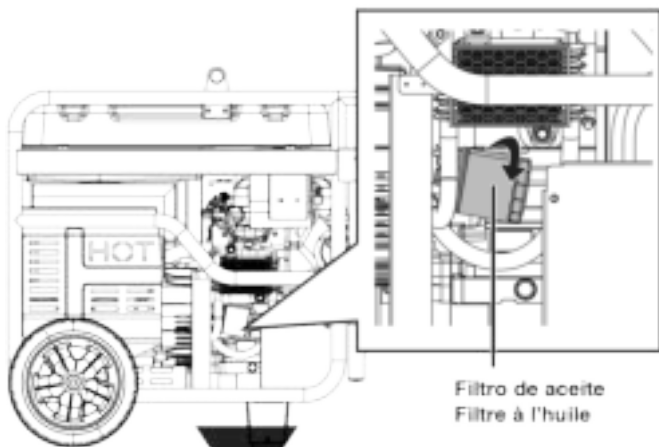
1. Coloque el generador en una superficie nivelada y deje que el motor se enfríe durante varios minutos.
2. Con un trapo húmedo, limpie alrededor de la tapa de llenado de aceite. Retire la tapa de llenado de aceite.
3. Coloque un cárter de aceite (o recipiente adecuado) debajo de la manguera de drenaje de aceite.
4. Suelte la manguera de drenaje de aceite y gire la tapa

# MANTENIMIENTO

en sentido antihorario para permitir que el aceite se drene.



5. Gire la tapa en sentido horario para cerrar. Asegure la manguera en el clip de la manguera.
6. Coloque el cárter de aceite debajo del filtro de aceite. Retire el filtro de aceite girándolo en sentido antihorario. Deje que el aceite se drene completamente. Limpie el área donde el filtro de aceite hace contacto con el motor.



7. Aplique aceite limpio al sello de goma del nuevo filtro de aceite. Instálelo a mano, girando en el sentido de las agujas del reloj hasta que el sello haga contacto con el motor y luego gire otro 3/4 de vuelta. NO apriete demasiado.
8. Llène con el aceite recomendado. Deténgase con frecuencia para comprobar el nivel de aceite. No llene demasiado. Si el motor está demasiado lleno, el exceso de aceite puede transferirse a la carcasa del limpiador de aire y al filtro de aire. Una indicación de sobrellenado es humo blanco o azul que sale del silenciador cuando el motor está funcionando.



**Capacidad máxima de aceite:** 1.7 Quart (1.6 Liter)

9. Instale la varilla medidora de aceite. Enrosque 60 I Westinghouse Outdoor Power Equipment

firmermente la tapa de llenado de aceite.

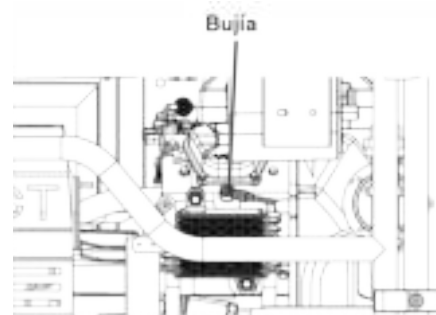
## AVISO

No contaminar. Siga las pautas de la EPA u otras agencias gubernamentales para la eliminación adecuada de materiales peligrosos. Consulte a las autoridades locales o al centro de recuperación.

## MANTENIMIENTO DE BUJÍAS

Inspeccione y limpie la bujía cada 100 horas de uso o cada seis meses. Reemplace la bujía después de 300 horas de uso o cada año.

1. Coloque el generador en una superficie nivelada y deje que el motor se enfríe.
2. Quite las fundas de las bujías tirando firmemente de la funda directamente lejos del motor.



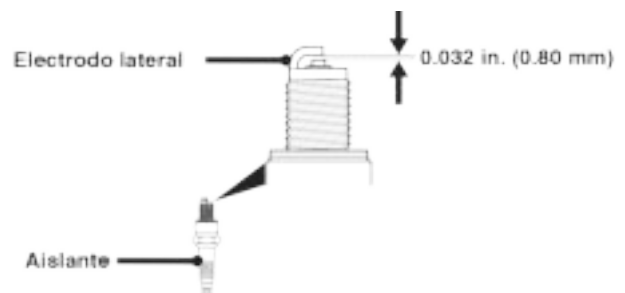
3. Limpia el área alrededor de las bujías.
4. Retire las bujías con la llave de tubo de bujía incluida.

## AVISO

Nunca aplique ninguna carga lateral ni mueva la bujía lateralmente al retirar la bujía.

5. Inspeccione las bujías. Reemplácelos si los electrodos están picados, quemados o si el aislante está agrietado. Utilice únicamente un enchufe de repuesto recomendado.
6. Mida la separación del electrodo de la bujía con una galga de espesores de alambre. Si es necesario, corrija el espacio doblando con cuidado el electrodo lateral.

**Espacio de la bujía:** 0.024 – 0.032 in. (0.60 – 0.80 mm)



# MANTENIMIENTO

7. Instale con cuidado cada bujía y apriétela con los dedos, luego apriete entre 3/8 y 1/2 vuelta adicionales con la llave para bujías.

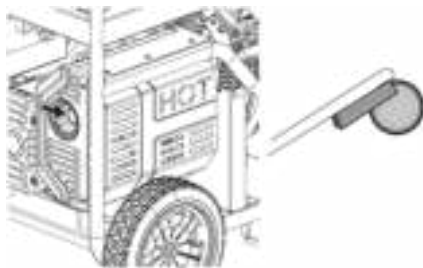
8. Coloque las fundas de las bujías.

## SERVICIO DE APAGACHISPAS

Deje que el silenciador se enfríe completamente antes de dar servicio al parachispas. Revise y limpie el parachispas después de cada 100 horas de uso o cada seis meses. Si no se limpia el parachispas, se degradará el rendimiento del motor.

1. Coloque el generador en una superficie nivelada.

2. Retire con cuidado los depósitos de carbón de la pantalla del parachispas con un cepillo de alambre. El parachispas debe estar libre de roturas y roturas. Utilice aire comprimido para limpiar los depósitos eliminados.



## FILTRO DE COMBUSTIBLE

Reemplace el filtro de combustible después de 100 horas de uso.

**Nota:** Tenga un recipiente de gasolina apropiado y trapos listos para recoger el combustible residual en el filtro y la línea de combustible.

1. Deje que el generador se enfríe completamente.

2. Gire la válvula de combustible a la posición de APAGADO.



3. Tenga en cuenta la orientación del filtro de combustible. Con unos alicates, retire las abrazaderas de la línea de combustible y retire el filtro de combustible.

4. Instale el nuevo filtro de combustible en el orden inverso al de desmontaje.

## MANTENIMIENTO DE LA BATERÍA

### ⚠ ADVERTENCIA

La batería emite gas hidrógeno explosivo durante el funcionamiento normal. Una chispa o una llama pueden hacer que la batería explote con suficiente fuerza como para causarle la muerte o lesiones graves. Use ropa protectora y una pantalla facial, o haga que un técnico calificado realice el mantenimiento de la batería.

### ⚠ ADVERTENCIA

Peligro de quemaduras. La batería contiene ácido sulfúrico (electrolito) que es altamente corrosivo y venenoso. Use ropa protectora y protección para los ojos cuando trabaje cerca de la batería. Mantenga a los niños alejados de la batería.

La batería enviada con el generador está completamente cargada. Una batería puede perder algo de carga cuando no se usa durante períodos prolongados de tiempo.

**Nota:** Una vez encendido, el generador cargará la batería después de 30 a 60 minutos de uso.

Cuando el generador no está funcionando, el cargador lento incluido puede permanecer conectado y mantendrá la batería por un período de tiempo indefinido. Una luz roja en el cargador indica que se está cargando. Una luz verde indica que se ha completado la carga. Cargue en un lugar seco.

1. Enchufe el cargador en el puerto de carga de la batería en el panel de control.

2. Enchufe el extremo del receptáculo de pared del cargador de batería en un tomacorriente de pared de 120 voltios CA.

## CAMBIO DE BATERÍA

### ⚠ PRECAUCIÓN

Los bornes y bornes de la batería contienen plomo y compuestos de plomo. Lávese las manos después de manipular.

1. Quite los dos pernos de la placa de la batería y la placa de la batería. Incline la batería hacia adelante y retire.

2. Desconecte el cable negativo (-) (funda negra) del borne negativo (-) de la batería.

3. Desconecte el cable positivo (+) de la batería (funda roja) del borne positivo (+) de la batería.

# MANTENIMIENTO

4. En la batería de reemplazo, conecte el cable positivo (+) de la batería (funda roja) al terminal positivo (+) de la batería. Asegure el maletero sobre el poste de la batería.
5. Conecte el cable negativo (-) de la batería (funda negra) al terminal negativo (-) positivo. Asegure el maletero sobre el poste de la batería.
6. Instale la batería en la bandeja de la batería. Instale la placa de la batería y los pernos. Apriete los tornillos de forma segura.

## AVISO

Deseche la batería usada correctamente de acuerdo con las pautas establecidas por su gobierno local o estatal.

## ALMACENAMIENTO

Se requiere una preparación de almacenamiento adecuada para un funcionamiento sin problemas y la longevidad del generador.

## AVISO

La gasolina almacenada por tan solo 30 días puede deteriorarse, causando goma, barniz y acumulación de corrosivo en las líneas de combustible, los conductos de combustible y el motor. Esta acumulación corrosiva restringe el flujo de combustible, lo que puede evitar que el motor arranque después de un período de almacenamiento prolongado. El uso de estabilizador de combustible aumenta significativamente la vida útil de la gasolina. Se recomienda el uso de estabilizador de combustible a tiempo completo. Siga las instrucciones de uso del fabricante.

TIEMPO DE ALMACENAMIENTO	RECOMENDADO PROCEDIMIENTO
Menos de 1 mes	No requiere servicio.
2 a 6 meses	Llene con gasolina nueva y agregue estabilizador de gasolina. Drene el recipiente del flotador del carburador.
6 meses o más	Drene el tanque de combustible y el recipiente del flotador del carburador.

## ALMACENAMIENTO A CORTO PLAZO

- Deje que el generador se enfríe un mínimo de 30 minutos antes de almacenarlo.
- Si funciona con GLP, gire la válvula del tanque de propano a la posición completamente cerrada y desconecte la manguera de GLP/propano del generador y del tanque de propano.

- Reemplace todas las cubiertas protectoras en el panel de control del generador.
- Limpie el generador con un paño húmedo. Limpie cualquier residuo de las rejillas de ventilación del silenciador.
- Almacene el generador en un lugar seco y bien ventilado, lejos de chispas, llamas abiertas, luces piloto, calor y otras fuentes de ignición, como áreas con motores eléctricos que producen chispas o donde se operan herramientas eléctricas.
- No almacene el generador, los tanques de gasolina o propano cerca de hornos, calentadores de agua o cualquier otro aparato que produzca calor o tenga encendido automático.
- With the engine and exhaust system cool and all surfaces dry, cover the generator to keep out dust. Do not use a plastic sheet as a dust cover. Non-porous materials trap moisture and promote rust and corrosion.

## ALMACENAMIENTO A LARGO PLAZO

Incluso el combustible debidamente estabilizado puede dejar residuos y provocar corrosión si se deja por un tiempo prolongado. Si almacena el generador por más de seis meses, drene el tanque de combustible.

## DRENAJE DEL TANQUE DE COMBUSTIBLE

Si almacena el generador por más de seis meses, drene el tanque de combustible para evitar la separación del combustible, el deterioro y los depósitos en el sistema de combustible.

1. Desatornille la tapa del tanque de combustible. Retire el filtro de malla de combustible comprimiéndolo ligeramente mientras lo saca del tanque.
2. Con una bomba manual de gasolina disponible en el mercado (no incluida), extraiga la gasolina del tanque de combustible a un recipiente de gasolina aprobado. NO use una bomba eléctrica.  
  
O  
  
Desconecte la línea de combustible de la parte inferior del tanque de combustible y deje que el combustible se drene en un recipiente de gasolina aprobado. Vuelva a instalar la línea de combustible.
3. Vuelva a instalar el filtro de malla de combustible y la tapa del tanque de combustible.
4. Encienda el generador y déjelo funcionar hasta que el motor del generador se detenga.
5. Empuje el interruptor de la batería a la posición de APAGADO.
6. Desconecta la batería.

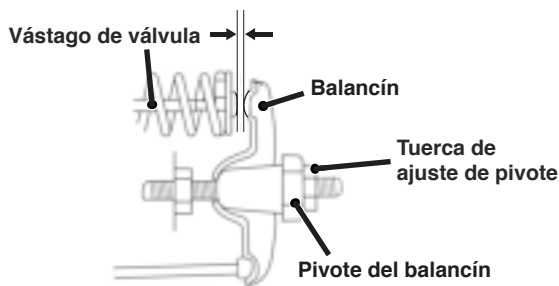
## JUEGO DE VÁLVULAS

### AVISO

La verificación y el ajuste de la holgura de las válvulas deben realizarse con el motor frío.

Realice este procedimiento en ambos cilindros.

1. Retire la tapa del balancín y retire con cuidado la junta. Si la junta está rota o dañada, debe reemplazarse.
2. Retire la bujía para que el motor se pueda girar más fácilmente.
3. Gire el motor al punto muerto superior (TDC) presionando momentáneamente el botón de arranque. Mirando a través del orificio de la bujía, el pistón debe estar en la parte superior (ambas válvulas están cerradas).
4. Ambos balancines deben estar sueltos en el PMS en la carrera de compresión. Si no es así, gire el motor 360 °.
5. Inserte una galga de espesores entre el balancín y el vástago de la válvula para medir la holgura de la válvula.



	Válvula de admisión	Válvula de escape
<b>Juego de válvulas</b>	0.0031 – 0.0047 in (0.08 – 0.12 mm)	0.0051 – 0.0067 in (0.13 – 0.17 mm)
<b>Esfuerzo de torsión</b>	8-12 N·m	8-12 N·m

6. Si es necesario un ajuste, sostenga el pivote del balancín y afloje la tuerca de ajuste del pivote.
7. Gire el pivote del balancín para obtener la holgura especificada. Sostenga el pivote del balancín y vuelva a apretar la tuerca de ajuste del pivote al par especificado.

**Esfuerzo de torsión: 106 pulgada-libra (12 N·m)**

8. Realice este procedimiento para la otra válvula.
9. Instale la junta, la tapa del balancín y la bujía.

# SOLUCIÓN DE PROBLEMAS

## SOLUCIÓN DE PROBLEMAS

### SOLUCIÓN DE PROBLEMAS

PROBLEMA	CAUSA POSIBLE	CORRECCIÓN
El motor no arranca	Interruptor de batería en la posición OFF.	Gire el interruptor de la batería a la posición ON.
	Sin combustible.	Repostar.
	Combustible en mal estado, generador almacenado sin tratar o drenar gasolina, o repostado con gasolina en mal estado.	Vacíe el tanque de combustible. Reposte con gasolina nueva.
	Filtro de aire sucio.	Limpiar el filtro de aire.
	El nivel de aceite del motor bajo detuvo el generador.	Si el LED de aceite bajo se ilumina, gire el interruptor de la batería a la posición de APAGADO. Agregue aceite de motor.
	Bujía mojada con combustible (motor ahogado).	Espere cinco minutos. Gire el interruptor de la batería a la posición APAGADO. Tire de la manija de retroceso rápidamente varias veces. Si el generador no arranca, retire la bujía y séquelo.
	Bujía defectuosa, sucia o abierta incorrectamente.	Separar o reemplazar la bujía. Reinstalar.
	Filtro de combustible restringido, falla del sistema de combustible, falla de la bomba de combustible, falla de encendido, válvulas atascadas, etc.	Comuníquese con el servicio al cliente de Westinghouse sin cargo al 1 (855) 944-3571.
	Batería drenada.	Utilice la palanca de retroceso para encender el generador. Carga la batería.
	Ahogador parcialmente abierto o cerrado debido a batería débil o desconectada.	Configure manualmente el estrangulador. Vea la sección de Mantenimiento.
El motor arranca y luego se apaga	Sin combustible.	Repostar.
	Nivel de aceite de motor incorrecto.	Revise el nivel de aceite del motor.
	Filtro de aire sucio.	Limpiar el filtro de aire.
	Combustible contaminado.	Vacíe el tanque de combustible. Reposte con gasolina nueva.
	Interruptor de nivel de aceite bajo defectuoso.	Comuníquese con el servicio al cliente de Westinghouse sin cargo al 1 (855) 944-3571.
El motor carece de potencia	Filtro de aire restringido.	Limpiar o reemplazar el filtro de aire.
	Combustible en mal estado, generador almacenado sin tratar o drenar gasolina, o repostado con gasolina en mal estado.	Vacíe el tanque de combustible. Reposte con gasolina nueva.
	Filtro de combustible restringido, falla del sistema de combustible, falla de la bomba de combustible, falla de encendido, válvulas atascadas, etc.	Comuníquese con el servicio al cliente de Westinghouse sin cargo al 1 (855) 944-3571.
El motor funciona con dificultad o se atasca cuando se aplica carga	Filtro de aire sucio.	Limpiar el filtro de aire.
	Generador sobrecargado.	Desenchufe algunos dispositivos.
	Herramienta o aparato eléctrico defectuoso.	Reemplace o repare la herramienta o el electrodoméstico. Detenga y vuelva a arrancar el motor.
	Filtro de combustible restringido, falla del sistema de combustible, falla de la bomba de combustible, falla de encendido, válvulas atascadas, etc.	Comuníquese con el servicio al cliente de Westinghouse sin cargo al 1 (855) 944-3571.
No hay energía en los receptáculos de CA	El LED OUTPUT READY está APAGADO y el LED DE SOBRECARGA está ENCENDIDO.	Verifique la carga de CA. Detenga y reinicie el motor. Verifique la entrada de aire. Detenga y vuelva a arrancar el motor.
	Se dispararon los disyuntores de CA.	Verifique las cargas de CA y restablezca los disyuntores.
	Herramienta o aparato eléctrico defectuoso.	Reemplace o repare la herramienta o el electrodoméstico. Detenga y vuelva a arrancar el motor.
	Generador defectuoso.	Comuníquese con el servicio al cliente de Westinghouse sin cargo al 1 (855) 944-3571.



# WGen12000c

## Génératrice Portative

ESSENCE: Puissance d'opération 12000 Watts | Puissance de pointe 15000 Watts

## MANUEL DE L'UTILISATEUR

### NE PAS RETOURNER CE PRODUIT AU MAGASIN

Si vous avez des questions ou avez besoin d'aide,  
veuillez appeler le service client au 855-944-3571.

#### TABLE DES MATIÈRES

FRANÇAIS ..... 65

#### INTRODUCTION

AVIS DE NON-RESPONSABILITÉ ..... 66

#### CARACTÉRISTIQUES

CARACTÉRISTIQUES ..... 67

MISES À JOUR ..... 67

#### SÉCURITÉ

DÉFINITIONS DE SÉCURITÉ ..... 68

SYMBOLES DE SÉCURITÉ ..... 68

CONSIGNES DE SÉCURITÉ ..... 69

PRÉCAUTIONS GÉNÉRALES DE SÉCURITÉ ..... 70

ESSENCE ET VAPEUR D'ESSENCE (GAZ) ..... 70

CAPTEUR CO ..... 71

ÉTIQUETTES DE SÉCURITÉ ..... 72

#### COMPOSANTS

COMPOSANTS DU GÉNÉRATEUR ..... 73

COMPOSANTS DU PANNEAU DE COMMANDE ..... 74

CENTRE DE DONNÉES ..... 75

RAPPELS D'ENTRETIEN ..... 75

#### ASSEMBLÉ

INSTALLER LES ROUES ET LE SUPPORT DE LEVAGE ..... 76

REPLISSAGE D'HUILE INITIAL ..... 77

INSTALLATION DE LA BATTERIE ..... 77

CARBURANT ..... 77

#### OPÉRATION

EMPLACEMENT DU GÉNÉRATEUR ..... 79

MISE À LA TERRE MISE À LA TERRE ..... 79

FONCTIONNEMENT À HAUTE ALTITUDE ..... 80

DÉMARRAGE À DISTANCE ..... 80

RALENTI BAS ..... 81

PÉRIODE DE RODAGE ..... 81

AVANT DE DÉMARRER LE GÉNÉRATEUR ..... 81

DÉMARRAGE DU MOTEUR ..... 81

ARRÊT DU MOTEUR ..... 82

FRÉQUENCE D'UTILISATION ..... 82

DISJONCTEURS AC ..... 82

**CAPACITÉ DU GÉNÉRATEUR ..... 82**

GESTION DE L'ALIMENTATION ..... 83

RALLONGES ..... 83

DIMENSIONS DU CORDON D'EXTENSION ..... 84

INTERRUPTEUR ST ..... 84

TRANSPORT ..... 84

#### ENTRETIEN

CALENDRIER DE MAINTENANCE ..... 86

RAPPELS D'ENTRETIEN ..... 86

PIÈCES DE RECHANGE D'ENTRETIEN ..... 86

ENTRETIEN DU FILTRE À AIR ..... 86

CONTRÔLE DU NIVEAU D'HUILE MOTEUR ..... 87

CHANGEMENT D'HUILE MOTEUR ..... 87

MAINTENANCE DE LA BOUGIE ..... 88

SERVICE DE PARE-ÉTINCELLES ..... 88

FILTRE À CARBURANT ..... 89

ENTRETIEN DE LA BATTERIE ..... 89

REMPLACEMENT DE LA BATTERIE ..... 89

ESPACE DE RANGEMENT ..... 90

LE JEU DES SOUPAPES ..... 91

#### DÉPANNAGE

DÉPANNAGE ..... 92

# INTRODUCTION


## INTRODUCTION

**▲ MISE EN GARDE:** L'utilisation, l'entretien et la maintenance de cet équipement peuvent vous exposer à des produits chimiques, notamment les gaz d'échappement du moteur, le monoxyde de carbone, les phtalates et le plomb, qui sont connus dans l'État de Californie pour provoquer le cancer et des anomalies congénitales ou d'autres troubles de la reproduction. Pour minimiser l'exposition, évitez de respirer les gaz d'échappement et portez des gants ou lavez-vous les mains fréquemment lors de l'entretien de cet équipement. Pour plus d'informations, visitez le site [www.P65warnings.ca.gov](http://www.P65warnings.ca.gov).

## AVIS DE NON-RESPONSABILITÉ

Toutes les informations, illustrations et spécifications de ce manuel étaient en vigueur au moment de sa publication. Les illustrations utilisées dans ce manuel sont uniquement destinées à être des vues de référence représentatives. Nous nous réservons le droit d'apporter toute spécification ou modification de conception sans préavis.

Tous les droits sont réservés. Aucune reproduction autorisée sous quelque forme que ce soit sans l'autorisation écrite de Westinghouse Outdoor Power Equipment.

▲ DANGER	
	Lisez ce manuel avant d'utiliser ou d'effectuer des opérations de maintenance sur ce produit. Le non-respect des instructions et des précautions de sécurité de ce manuel peut entraîner des blessures graves ou la mort.

## CONSERVEZ CES INSTRUCTIONS

### ENREGISTREMENT DU PRODUIT

Pour une couverture de garantie sans problème, il est important d'enregistrer votre génératrice Westinghouse.

Vous pouvez vous inscrire par:

- Remplir et envoyer par la poste la carte d'enregistrement du produit incluse dans le carton.
- Enregistrement de votre produit en ligne sur: <https://westinghouseoutdoorpower.com/pages/warranty-registration>
- Scanner le code QR suivant avec l'appareil photo de votre smartphone. Vous serez dirigé vers le lien d'inscription mobile.



- Envoi des informations produit suivantes à:

Westinghouse Outdoor Power  
Warranty registration  
777 Manor Park Drive  
Columbus, OH 43228

### Pour vos dossiers

Date d'achat: \_\_\_\_\_

Numéro de modèle: \_\_\_\_\_

Numéro de série: \_\_\_\_\_

Lieu d'achat: \_\_\_\_\_

**IMPORTANT:** Conservez votre reçu d'achat pour une couverture de garantie sans problème.

# CARACTÉRISTIQUES

## CARACTÉRISTIQUES

CARACTÉRISTIQUES	
Watts courants:	12,000 Gas
Watts de pointe:	15,000 Gas
Tension nominale:	120/240V
Fréquence nominale:	60 Hz @ 3600 RPM
Phase:	Monophasé
Distorsion harmonique totale:	≤ 5%
Déplacement du moteur:	713 cc
Type de départ:	Recul, démarrage électrique, télécommande
Capacité de carburant:	10.5 Gallons (40 Liters)
Type de carburant:	<ul style="list-style-type: none"><li>• Essence sans plomb 87–93 octane*</li><li>• HD-5 Propane</li></ul>
Capacité d'huile:	1.7 US Quart (1.6 Liter)
Type d'huile:	SAE 10W-30
Bougie d'allumage:	TORCH F7TC
Ecartement électrode bougie:	0.024 – 0.032 in. (0.60 – 0.80 mm)
Admission de valve Dégagement:	0.0031 – 0.0047 in. (0.08 – 0.12 mm)
Échappement de soupape Dégagement:	0.0051 – 0.0067 in. (0.13 – 0.17 mm)
La batterie:	511092
Système de mise à la terre AC:	Collé au cadre
Régulateur de tension:	AVR
Type d'alternateur:	Brushed
Température ambiante maximale:	104°F (40°C)
Certifications:	<ul style="list-style-type: none"><li>• EPA</li><li>• CARB</li></ul>

\* Teneur en éthanol de 10% ou moins. N'utilisez PAS E15 ou E85.

## AVIS

Ce produit est conçu et conçu pour un fonctionnement continu à des températures ambiantes allant jusqu'à 40 ° C (104 ° F). Si nécessaire, ce produit peut être utilisé à des températures allant de 5 ° F (-15 ° C) à 122 ° F (50 ° C) pendant de courtes périodes. Si le produit est exposé à des températures en dehors de cette plage pendant le stockage, il doit être ramené dans cette plage avant utilisation. Ce produit doit toujours être utilisé à l'extérieur dans un endroit bien ventilé et loin des portes, fenêtres et autres événements.

La puissance et le courant maximum sont soumis et limités par des facteurs tels que la teneur en BTU de carburant, la température ambiante, l'altitude, les conditions du moteur, etc. La puissance maximale diminue d'environ 3,5% pour chaque 1000 pieds au-dessus du niveau de la mer, et diminuera également d'environ 1% pour chaque 10 ° F (6 ° C) au-dessus de la température ambiante de 60 ° F (16 ° C).

## MISES À JOUR

Le dernier manuel d'utilisation de votre générateur Westinghouse se trouve sous notre onglet d'assistance. <https://westinghouseoutdoorpower.com/pages/manuals>

Ou scannez le code QR suivant avec l'appareil photo de votre smartphone pour être dirigé vers le lien.



# SÉCURITÉ

## SÉCURITÉ

### DÉFINITIONS DE SÉCURITÉ

Les mots DANGER, AVERTISSEMENT, ATTENTION et AVIS sont utilisés tout au long de ce manuel pour mettre en évidence des informations importantes. Assurez-vous que la signification de ces informations de sécurité est connue de tous ceux qui utilisent, effectuent des travaux de maintenance ou se trouvent à proximité du générateur.



Ce symbole d'alerte de sécurité apparaît avec la plupart des déclarations de sécurité. Cela signifie attention, soyez vigilant, votre sécurité est en jeu! Veuillez lire et respecter le message qui suit le symbole d'alerte de sécurité.

#### ▲ DANGER

Indique une situation dangereuse qui, si elle n'est pas évitée, entraînera la mort ou des blessures graves.

#### ▲ AVERTISSEMENT

Indique une situation dangereuse qui, si elle n'est pas évitée, pourrait entraîner la mort ou des blessures graves.

#### ▲ MISE EN GARDE

Indique une situation dangereuse qui, si elle n'est pas évitée, pourrait entraîner des blessures mineures ou modérées.

#### AVIS

Indique une situation qui peut endommager le générateur, les biens personnels et / ou l'environnement, ou entraîner un mauvais fonctionnement de l'équipement.

**Remarque:** Indique une procédure, une pratique ou une condition à suivre pour que le générateur fonctionne de la manière prévue.

## SYMBOLES DE SÉCURITÉ

Suivez toutes les informations de sécurité contenues dans ce manuel et sur le générateur.

Symbole	La description
	Symbole d'alerte de sécurité
	Risque d'électrocution
	Risque d'asphyxie
	Risque de brûlure. Ne touchez pas les surfaces chaudes.
	Risque d'électrocution
	Risque d'incendie
	Maintenez une distance de sécurité
	Risque de levage
	Lire les instructions du fabricant
	Ne pas utiliser dans des conditions humides

## CONSIGNES DE SÉCURITÉ

### UTILISATION CORRECTE

Exemple d'emplacement pour réduire le risque d'intoxication au monoxyde de carbone

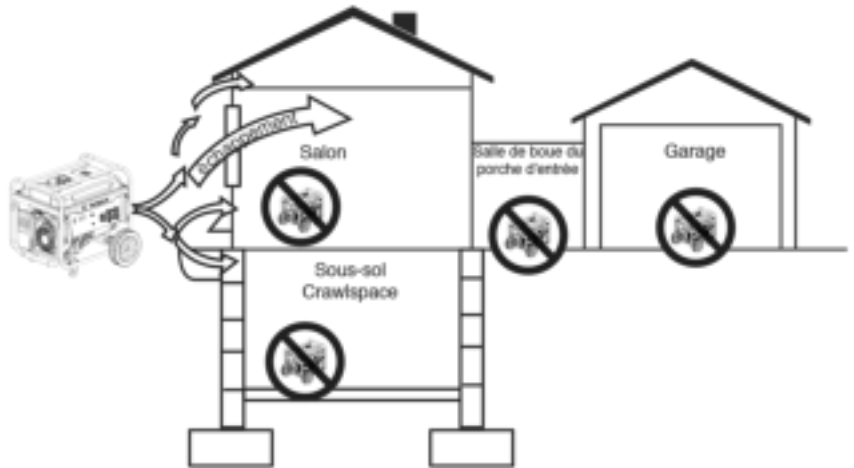
- Utilisez **UNIQUEMENT** à l'extérieur et sous le vent, loin des fenêtres, des portes et des événements.
- Échappez directement des espaces occupés



### UTILISATION INCORRECTE

N'utilisez pas dans l'un des endroits suivants:

- Près de n'importe quelle porte, fenêtre ou événement
- Garage
- Sous-sol
- Espace d'exploration
- Salon
- Grenier
- Voie d'entrée
- Porche
- Vestiaire



### AVIS

Installez des détecteurs de monoxyde de carbone à piles ou des détecteurs de monoxyde de carbone enfichables avec pile de secours dans les pièces à vivre.

### ⚠ DANGER

L'utilisation d'un générateur à l'intérieur PEUT VOUS TUER EN QUELQUES MINUTES.  
L'échappement du générateur contient du monoxyde de carbone. C'est un poison que vous ne pouvez ni voir ni sentir.



NE JAMAIS utiliser à l'intérieur d'une maison ou d'un garage, **MÊME SI** les portes et fenêtres sont ouvertes.



Utilisez uniquement À L'EXTÉRIEUR et loin des fenêtres, des portes et des événements.

### ⚠ DANGER

Risque d'incendie et d'électrocution. Ne pas connecter au système électrique d'un bâtiment à moins que le générateur et le commutateur de transfert n'aient été correctement installés et que la sortie électrique ait été vérifiée par un électricien qualifié. La connexion doit isoler l'alimentation du générateur de l'alimentation secteur et doit être conforme à toutes les lois et codes électriques applicables.

### ⚠ DANGER

Risque d'électrocution. N'utilisez jamais le générateur dans un endroit mouillé ou humide. N'exposez jamais le générateur à la pluie, à la neige, aux projections d'eau ou à l'eau stagnante pendant son utilisation. Protégez le générateur de toutes les conditions météorologiques dangereuses. L'humidité ou la glace peuvent provoquer un court-circuit ou un autre dysfonctionnement dans le circuit électrique.

# SÉCURITÉ

## PRÉCAUTIONS GÉNÉRALES DE SÉCURITÉ

- N'utilisez jamais le générateur pour alimenter du matériel médical.
- N'utilisez pas le générateur lorsque vous êtes fatigué ou sous l'influence de drogues, d'alcool ou de médicaments.
- Lorsque ce générateur est utilisé pour alimenter un système de câblage de bâtiment, le générateur doit être installé par un électricien qualifié et connecté à un commutateur de transfert en tant que système dérivé séparément conformément à NFPA 70, National Electrical Code.
- Utilisez uniquement À L'EXTÉRIEUR et loin des fenêtres, des portes et des événements, comme recommandé par le Département américain de la Santé et les Centres des services sociaux pour le contrôle et la prévention des maladies. Votre domicile et/ou vos conditions de vent spécifiques peuvent nécessiter une distance supplémentaire.
- Si vous commencez à vous sentir malade, étourdi ou faible en utilisant le générateur, passez IMMÉDIATEMENT à l'air frais. Consultez un médecin, car vous pouvez avoir une intoxication au monoxyde de carbone.
- Pendant le fonctionnement et le stockage, gardez au moins 5 pieds d'espace libre de tous les côtés du générateur, y compris au-dessus. Laissez le générateur refroidir au moins 30 minutes avant de le ranger. La chaleur créée par le silencieux et les gaz d'échappement peut être suffisamment élevée pour causer de graves brûlures et/ou enflammer des objets combustibles.
- N'utilisez pas le générateur avec des cordons électriques usés, effilochés, dénudés ou autrement endommagés.
- Tous les outils et appareils électriques alimentés par ce générateur doivent être correctement mis à la terre à l'aide d'un troisième fil ou être à double isolation.
- Ne touchez ni le silencieux ni le moteur. Ils sont très CHAUDS et provoqueront de graves brûlures. Ne placez pas de parties du corps ou de matériaux inflammables ou combustibles sur le chemin direct de l'échappement.
- Retirez toujours tous les outils ou autres équipements de service utilisés pendant la maintenance loin du générateur avant de l'utiliser.
- Évitez tout contact cutané avec l'huile moteur ou l'essence. Portez des vêtements et des équipements de protection. Laver toute la peau exposée avec du savon et de l'eau.

## SÉCURITÉ DU CARBURANT

- Stockez le carburant dans un contenant approuvé pour l'essence.
- Ne pas fumer lors du remplissage du générateur avec de l'essence.
- Portez des lunettes de protection pendant le ravitaillement.
- Ne retirez jamais le bouchon du réservoir lorsque le générateur est en marche. Arrêtez le moteur et laissez l'appareil refroidir pendant au moins cinq minutes. Retirez lentement le bouchon du réservoir pour relâcher la pression, empêcher le carburant de s'échapper autour du bouchon et éviter que la chaleur du silencieux ne déclenche les vapeurs de carburant. Serrez fermement le bouchon du réservoir après avoir fait le plein.
- Ne remplissez jamais trop le réservoir de carburant. Laissez de la place pour que le carburant se dilate. Un remplissage excessif du réservoir de carburant peut entraîner un débordement soudain d'essence et entraîner le déversement d'essence en contact avec des surfaces CHAUDES.
- Le carburant renversé peut s'enflammer. Si du carburant est renversé sur le générateur, essuyez immédiatement tout déversement. Jetez le chiffon correctement. Laissez sécher la zone de carburant renversé avant de faire fonctionner le générateur.
- Stockez tous les récipients contenant de l'essence dans un endroit bien ventilé, loin de tout combustible ou source d'inflammation.

## ESSENCE ET VAPEUR D'ESSENCE (GAZ)

### DANGER

Risque d'incendie et d'explosion. L'essence est hautement explosive et inflammable et peut causer de graves brûlures ou la mort.

- L'essence est hautement inflammable et explosive.
- L'essence peut provoquer un incendie ou une explosion si elle est enflammée.
- L'essence est un irritant pour la peau et doit être nettoyée immédiatement si elle entre en contact avec la peau.
- L'essence a une odeur particulière, cela aidera à détecter rapidement les fuites potentielles.
- En cas d'incendie au gaz, n'essayez pas d'éteindre la flamme si le robinet de carburant est en position gaz. L'introduction d'un extincteur dans une génératrice avec un robinet de carburant ouvert pourrait créer un risque d'explosion.
- L'essence se dilate ou se contracte avec les températures ambiantes. Ne remplissez jamais le réservoir d'essence à pleine capacité, car l'essence a besoin d'espace pour se dilater si la température augmente.

## CAPTEUR CO

Le capteur de monoxyde de carbone (CO) surveille l'accumulation de monoxyde de carbone toxique autour du générateur lorsque le moteur tourne. Si des niveaux dangereux de gaz CO sont détectés, le capteur de CO arrête automatiquement le moteur.

Le capteur de CO détectera également l'accumulation de monoxyde de carbone provenant d'autres sources de combustion de carburant utilisées dans la zone de fonctionnement. Par exemple, si l'échappement d'outils à combustion est dirigé vers un générateur équipé d'un capteur de CO, un arrêt peut être déclenché en raison de niveaux de CO dangereux. Ce n'est pas une erreur. Du monoxyde de carbone dangereux a été détecté. Déplacez et redirigez toute autre source de combustion de combustible pour dissiper le monoxyde de carbone loin du personnel et des bâtiments occupés.

Les groupes électrogènes sont destinés à être utilisés à l'extérieur, loin des bâtiments occupés et l'échappement dirigé loin du personnel et des bâtiments. S'il est mal utilisé et utilisé dans un endroit qui entraîne une accumulation de CO, comme dans une zone partiellement fermée, le capteur de CO arrête le moteur. Un voyant ROUGE indiquera que l'unité a été arrêtée en raison d'un niveau dangereux de CO détecté autour du générateur. Avant de s'approcher du générateur, laissez le CO se dissiper autour du générateur. Le capteur de CO NE remplace PAS les avertisseurs de monoxyde de carbone à piles dans votre maison.

## COMMANDE

### CARBON MONOXIDE AUTO-SHUTOFF



**AUTOMATIC SHUTOFF**  
SEE ACTION LABEL  
**CORTE AUTOMÁTICO**  
CONSULTE LA ETIQUETA  
DE ACCIÓN



**SERVICE GENERATOR**  
REALICE UN SERVICIO  
DEL GENERADOR

## VOYANTS DU CAPTEUR DE CO

Color	Description
<b>ROUGE</b>	Niveaux dangereux de monoxyde de carbone accumulés autour du générateur. Après l'arrêt, le voyant lumineux ROUGE dans la zone du capteur de CO du panneau de commande clignotera pour indiquer que le générateur a été arrêté en raison d'une accumulation de niveaux de CO dangereux. Le voyant ROUGE clignotera pendant au moins cinq minutes après un arrêt du CO.
<b>JAUNE</b>	Une défaillance du système de capteur de CO s'est produite. Lorsqu'un défaut du système se produit, le générateur s'arrête automatiquement et le voyant JAUNE dans la zone d'arrêt automatique du CO du panneau de commande clignote pour signaler qu'un défaut s'est produit. Le voyant JAUNE clignotera pendant au moins cinq minutes après un défaut. Le générateur peut être redémarré, mais peut continuer à s'arrêter. Un défaut du capteur de CO ne peut être diagnostiqué et réparé que par un centre de service agréé Westinghouse.

## AVERTISSEMENT

L'arrêt automatique accompagné d'un voyant ROUGE clignotant dans la partie du capteur de CO du panneau de commande indique que le générateur a été mal placé. Si vous commencez à vous sentir malade, étourdi, faible ou si les détecteurs de monoxyde de carbone de votre maison indiquent une alarme, rendez-vous immédiatement à l'air frais. Appelez les services d'urgence. Vous pouvez avoir une intoxication au monoxyde de carbone.

## ÉTIQUETTE D'ACTION

<p><b>ACTION LABEL</b></p> <p>ETIQUETA DE FUNCIONAMIENTO ÉTIQUETTE D'ACTION</p> <p><b>AUTOMATIC SHUTOFF - YOU MUST:</b> ETIQUETA DE FUNCIONAMIENTO: ÉTIQUETTE D'ACTION:</p> <ul style="list-style-type: none"> <li>• MOVE GENERATOR TO AN OPEN, OUTDOOR AREA.</li> <li>• POINT EXHAUST AWAY.</li> <li>• DON'T RUN GENERATOR IN ENCLOSED AREAS (E.G., NOT IN HOUSE OR GARAGE).</li> <li>• MOVER EL GENERADOR A UN ÁREA ABIERTA, EN EXTERIORES</li> <li>• ORIENTAR EL TUBO DE ESCAPE HACIA AFUERA</li> <li>• NO ACTIVAR EL GENERADOR EN ÁREAS CERRADAS (P. EJ.: EN UNA CASA O GARAJE)</li> <li>• DÉPLACER LA GÉNÉRATRICE DANS UN ESPACE EXTÉRIEUR OUVERT</li> <li>• DIRIGER L'ÉCHAPPEMENT LOIN DE VOUS</li> <li>• NE PAS FAIRE FONCTIONNER LA GÉNÉRATRICE DANS DES ENDROITS FERMÉS (COMME DANS LA MAISON OU LE GARAGE)</li> </ul>	<p><b>WARNING</b> ADVERTENCIA AVERTISSEMENT</p> <p><b>TAMPERING WITH CARBON MONOXIDE SENSOR COULD RESULT IN HAZARDOUS CONDITION</b> HACER ALTERACIONES CON SENSOR DE MONÓXIDO DE CARBONO PODRÍA OCASIONAR CONDICIONES PELIGROSAS L'ALTÉRATION DE CAPTEUR DE MONOXYDE DE CARBONE PEUT ENTRAÎNER DES CONDITIONS DANGEREUSES</p>	<p><b>POINT</b> ORIENTAR DIRIGIR</p> <p><b>EXHAUST</b> EL TUBO DE ESCAPE L'ÉCHAPPEMENT</p> <p><b>AWAY</b> HACIA AFUERA LOIN DE VOUS</p>
---	---	---

## ARRÊT AUTOMATIQUE CO DU PANNEAU DE

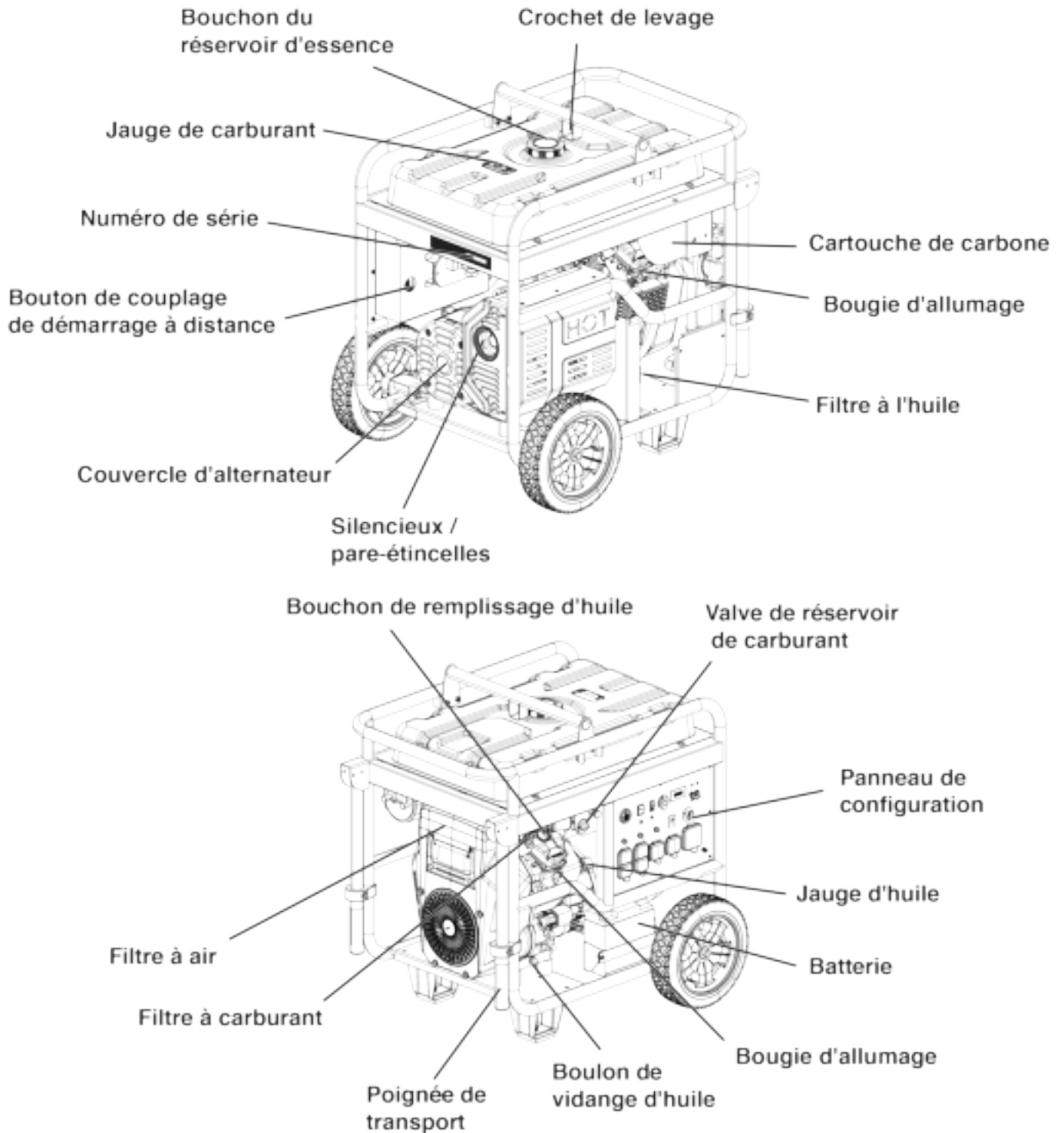




# COMPOSANTS

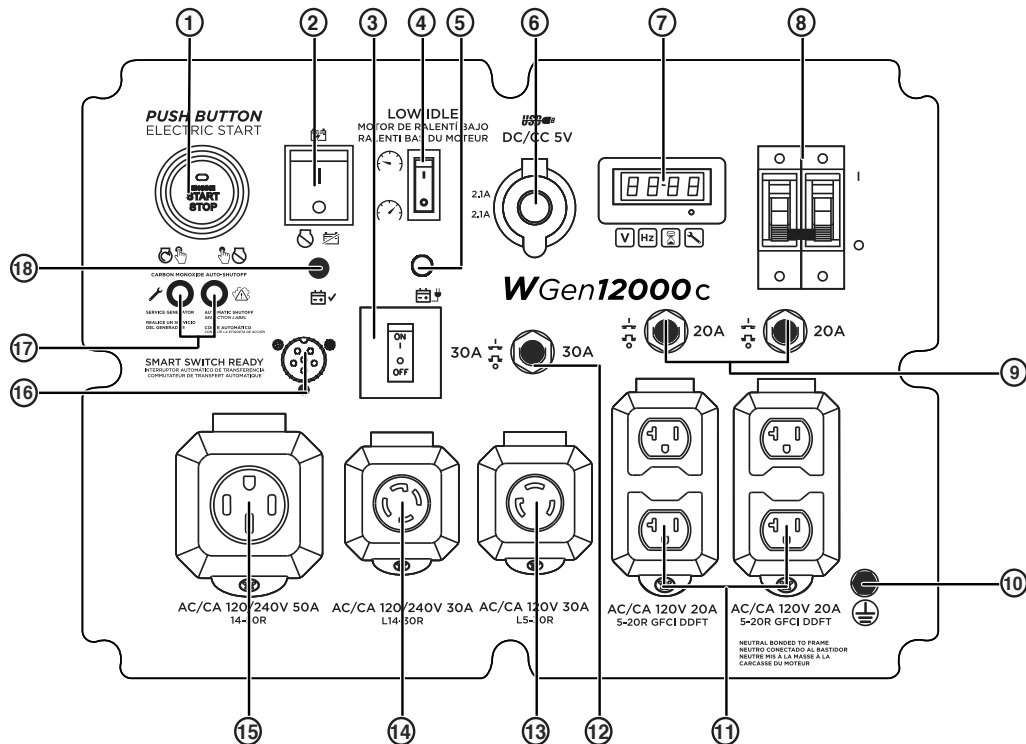
## COMPOSANTS

### COMPOSANTS DU GÉNÉRATEUR



# COMPOSANTS

## COMPOSANTS DU PANNEAU DE COMMANDE



1. **Bouton-poussoir START / STOP:** Appuyez une fois pour démarrer automatiquement le moteur. Appuyez à nouveau pour arrêter le moteur.
2. **Commutateur de batterie:** allume et éteint la batterie. Doit être allumé avant le démarrage électrique ou à distance.
3. **Disjoncteur CA 30 A:** Le disjoncteur limite le courant qui peut être fourni à travers la prise NEMA L14-30R à 30 A.
4. **Interrupteur de ralenti bas:** Le ralenti bas minimise la consommation de carburant, le bruit et l'usure du moteur en abaissant le régime moteur pendant une utilisation intermittente. Voir la section LOW IDLE pour des considérations d'utilisation importantes.
5. **Port de chargement de la batterie:** utilisé pour charger la batterie avec le chargeur de batterie inclus.
6. **Ports USB:** prise USB à deux ports 5V / 2.1A. Accepte les prises USB de type A.
7. **Centre de données:** affiche la tension, la fréquence, le compteur horaire total et la minuterie d'exécution / de maintenance.
8. **Disjoncteur principal:** Le disjoncteur principal contrôle la sortie totale de toutes les prises pour protéger le générateur contre les surcharges ou les courts-circuits.
9. **Disjoncteurs CA de 20 A:** Les disjoncteurs limitent le courant qui peut être fourni à travers chaque prise NEMA 5-20R à 20 A.
10. **Borne de terre:** La borne de terre est utilisée pour mettre à la terre extérieurement le générateur.
11. **Prises GFCI NEMA 5-20R 120 V CA, 20 Ampères:** Chaque prise est capable de transporter un maximum de 20 ampères sur une seule prise ou une combinaison des deux prises.
12. **Disjoncteur CA 30 A:** Le disjoncteur limite le courant qui peut être fourni à travers la prise NEMA L5-30R à 30 A.
13. **PriSe NEMA L5-30R de 120 volts CA, 30 A:** La prise peut fournir un maximum de 30 ampères.
14. **PriSe NEMA L14-30R 120/240 volts CA, 30 A:** la prise peut fournir 120 V ou 240 V jusqu'à 30 ampères.
15. **PriSe NEMA 14-50R 120/240 V CA, 50 A:** La prise peut fournir 120 V ou 240 V jusqu'à 50 ampères.
16. **PriSe d'interrupteur intelligent:** connecte l'interrupteur Westinghouse ST (vendu séparément) au panneau de commande.
17. **Voyants du capteur de CO :** Le capteur de CO surveille l'accumulation de monoxyde de carbone toxique. Si des niveaux croissants de gaz CO sont détectés, le capteur de CO arrête automatiquement le moteur.
18. **Indicateur de batterie:** indique que l'alimentation est allumée. La lumière restera allumée pendant que l'appareil est en marche.

## CENTRE DE DONNÉES

Utilisez le bouton Mode du centre de données pour basculer entre les écrans.

**Affichage des données**

**Tension:**  
Affiche la sortie de tension actuelle

**La fréquence (Hz):**  
Affiche la fréquence de sortie de puissance en Hertz

**Heures de vie:**  
affiche les heures de fonctionnement à vie

**Durée d'exécution / maintenance:**  
affiche le temps d'exécution actuel  
Réinitialise à zéro lors de l'arrêt  
Rappel de maintenance affiché si nécessaire.

## RAPPELS D'ENTRETIEN

Les codes de rappel d'entretien seront affichés sur l'affichage des données en fonction des heures de vie de l'unité. Les codes de maintenance seront affichés jusqu'à ce que l'appareil soit éteint. Reportez-vous à la section Maintenance pour les procédures spécifiques.

Code de maintenance	Entretien requis
P25	Changer l'huile moteur / remplacer le filtre à huile
P50	Changer l'huile moteur / remplacer le filtre à huile, nettoyer le filtre à air
P100	Changer l'huile moteur / remplacer le filtre à huile, nettoyer le filtre à air, remplacer le filtre à carburant

# ASSEMBLÉ

## ASSEMBLÉ

### ▲ MISE EN GARDE

Risque de poids. Ayez toujours de l'aide pour soulever le générateur.

Cette unité est livrée entièrement assemblée depuis notre usine sans huile dans le moteur. Il doit être correctement entretenu avec du carburant et de l'huile avant de fonctionner.

**Si vous avez des questions concernant la préparation de votre groupe électrogène pour le démarrage initial, contactez notre équipe de service au service@wpowereq.com ou appelez le 1-855-944-3571.**

### DÉBALLAGE

1. Place shipping carton on a solid, flat surface.
2. Retirer le contenu du carton à l'exception du générateur.
3. Dépliez le haut du sac plastique renfermant le générateur.
4. À l'aide des poignées de transport de l'appareil, retirez délicatement le générateur de la boîte.
5. Recyclez ou éliminez correctement les matériaux d'emballage.

### CONTENU DU CARTON

- Génératrice
- Manuel de l'Utilisateur
- Guide de démarrage rapide / Calendrier de maintenance
- Porte-clés de démarrage à distance
- Bouteille de 1,7 pinte (1,6 litre) d'huile SAE 10W-30
- Chargeur de batterie
- Clé à douille pour bougie
- Entonnoir à huile
- Clé de montage
- Composants de la roue et du crochet de levage

Article	Quantité
• Crochet de levage	1
• Boulon de bride, M8	4
• Roue	2
• Axe axe	2
• Machine à laver	4
• goupille	4

**S'il manque des pièces, contactez notre équipe de service à service@wpowereq.com ou appelez 1-855-944-3571.**

## INSTALLER LES ROUES ET LE SUPPORT DE LEVAGE

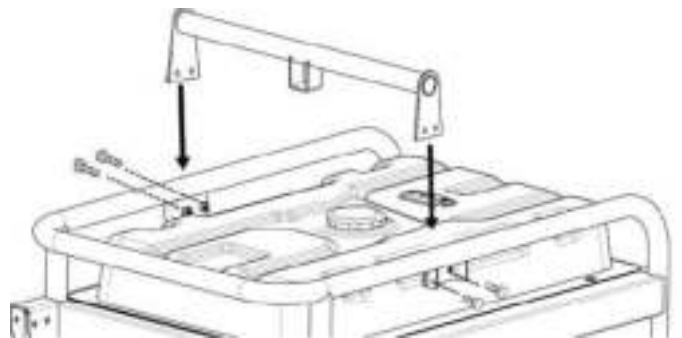
### AVIS

L'assemblage du générateur nécessitera de soulever l'unité d'un côté. Installez les roues avant d'ajouter du carburant ou de l'huile.

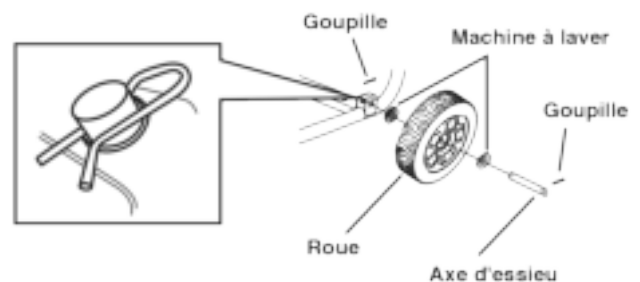
### ▲ MISE EN GARDE

Risque de levage. Utilisez deux personnes lors de l'installation des roues. Reportez-vous à CROCHET DE LEVAGE dans la section FONCTIONNEMENT.

1. Placer le générateur sur une surface plane.
2. Alignez le support du crochet de levage avec les supports de montage sur le dessus du réservoir de carburant. Fixez avec quatre boulons de bride M8.



3. Utilisez le crochet de levage pour soulever suffisamment l'unité pour installer les roues comme illustré.



**Note:** Les roues sont uniquement destinées au transport manuel. Les roues ne sont pas adaptées au remorquage du générateur sur route ou hors route.

## REPLISSAGE D'HUILE INITIAL

### AVIS

**CE GÉNÉRATEUR A ÉTÉ EXPÉDIÉ SANS HUILE.** N'essayez pas de lancer ou de démarrer le moteur avant qu'il n'ait été correctement entretenu avec l'huile recommandée. Le fait de ne pas ajouter d'huile moteur avant le démarrage entraînera de graves dommages au moteur.

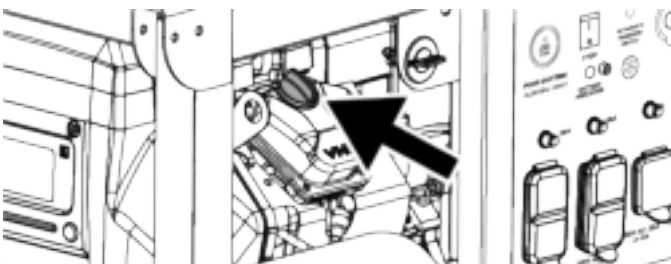
### AVIS

L'utilisation d'huile 2 temps / cycle ou d'autres types d'huile non approuvés peut causer de graves dommages au moteur qui ne sont pas couverts par la garantie.

Le type d'huile recommandé pour une utilisation typique est l'huile moteur 10W-30. Si vous utilisez le générateur à des températures extrêmes, reportez-vous au tableau suivant.

Type d'huile moteur recommandé	
	10W-30
5W-30	10W-40
5W-30 Synthétique	
°F	-20 0 20 40 60 80 100 120
°C	-28.9 -17.8 -6.7 4.4 15.6 26.7 37.8 48.9
Température ambiante	

1. Sur une surface plane, retirez le bouchon de remplissage d'huile.



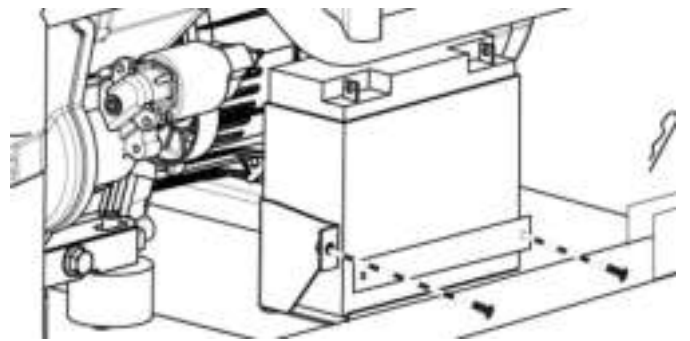
2. À l'aide de l'entonnoir et de l'huile fournis, ajoutez l'huile dans le moteur.
3. Remettez le bouchon de remplissage d'huile et serrez fermement.

## INSTALLATION DE LA BATTERIE

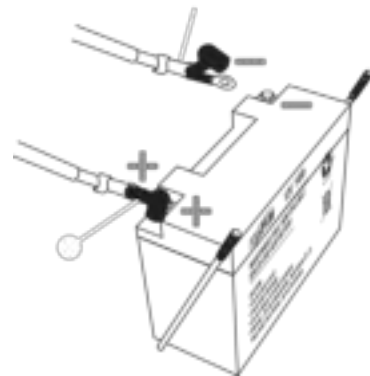
### ▲ MISE EN GARDE

Les bornes et bornes de batterie contiennent du plomb et des composés de plomb. Se laver les mains après manipulation.

1. Retirez les deux boulons de la plaque de batterie et la plaque de batterie. Inclinez la batterie vers l'avant et retirez.



2. Connectez le câble de batterie positif (+) (botte rouge) à la borne positive (+) de la batterie. Fixez le coffre sur la borne de batterie.



3. Connectez le câble négatif (-) (botte noire) à la borne négative (-) de la batterie. Fixez le coffre sur la borne de batterie.
4. Installez la batterie dans le plateau de batterie. Installez la plaque de batterie et les boulons. Serrez fermement les boulons.

## CARBURANT

### ▲ AVERTISSEMENT

Risque d'incendie et d'explosion. N'utilisez jamais de bidon d'essence, de réservoir d'essence ou tout autre élément de carburant cassé, coupé, déchiré ou endommagé.

### ▲ DANGER

Risque d'incendie et d'explosion. Ne remplissez pas trop le réservoir de carburant. Remplissez uniquement jusqu'à l'anneau de remplissage rouge situé dans le filtre à carburant dans le réservoir. Un remplissage excessif peut entraîner un déversement de carburant sur le moteur et provoquer un incendie ou une explosion.

# ASSEMBLÉ

## ▲ DANGER

Risque d'incendie et d'explosion. Ne faites jamais le plein de la génératrice lorsque le moteur tourne. Arrêtez toujours le moteur et laissez le générateur refroidir pendant deux minutes avant de faire le plein.

## AVIS



N'utilisez pas de carburant E15 ou E85 dans ce produit. Les dommages au moteur ou à l'équipement causés par du carburant périmé ou par l'utilisation de carburants non approuvés (tels que les mélanges d'éthanol E15 ou E85) ne sont pas couverts par la garantie. N'utilisez que de l'essence sans plomb contenant jusqu'à 10% d'éthanol.

## BESOINS EN CARBURANT

- Essence sans plomb PROPRE, FRAÎCHE, 87–93 octane.
- Jusqu'à 10% d'éthanol (essence-alcool) est acceptable (le cas échéant; un carburant sans éthanol est recommandé).
- N'utilisez PAS E85 ou E15.
- NE PAS utiliser de mélange de gazole.
- NE PAS modifier le moteur pour qu'il fonctionne avec des carburants alternatifs.
- NE PAS faire le plein à l'intérieur.
- NE PAS créer d'étincelle ou de flamme pendant le ravitaillement.

## UTILISATION DU STABILISATEUR DE CARBURANT

L'ajout d'un stabilisateur de carburant (non inclus) prolonge la durée de vie utile du carburant et aide à empêcher la formation de dépôts qui peuvent obstruer le système de carburant. Suivez les instructions d'utilisation du fabricant.

Mélangez toujours la bonne quantité de stabilisateur de carburant à l'essence dans un bidon d'essence approuvé avant de faire le plein de la génératrice. Faites fonctionner le générateur pendant cinq minutes pour permettre au stabilisateur de traiter tout le système d'alimentation en carburant.

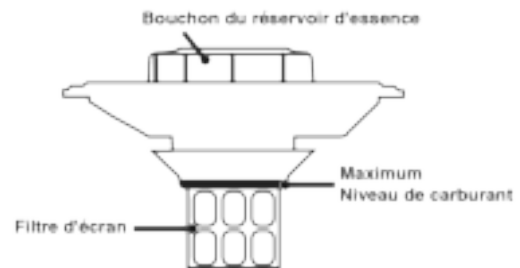
## REEMPLIR LE RÉSERVOIR DE CARBURANT

1. Éteignez le générateur et laissez-le refroidir pendant au moins deux minutes avant de faire le plein.
2. Placez le générateur sur un sol plat dans un endroit bien ventilé.
3. Nettoyez la zone autour du bouchon de carburant et retirez lentement le bouchon.

## AVIS

Ne remplissez le réservoir qu'à partir d'un bidon d'essence approuvé. Assurez-vous que le réservoir d'essence est propre et en bon état pour éviter la contamination du système d'alimentation en carburant.

4. Ajoutez lentement le carburant recommandé. Ne pas trop remplir. Remplissez uniquement jusqu'à l'anneau de remplissage maximum rouge sur le filtre à carburant visible dans le goulot de remplissage.



5. Installez la tapa de combustible. Apriete hasta que escuche un clic.

## AVIS

El combustible puede dañar la pintura y el plástico. Tenga cuidado al llenar el tanque de combustible. Los daños causados por el combustible derramado no están cubiertos por la garantía.

## AVIS

Limpie los residuos del filtro de malla de combustible antes y después de cada repostaje. Quite el filtro de malla de combustible comprimiéndolo ligeramente mientras lo saca del tanque de combustible.

## OPÉRATION

### EMPLACEMENT DU GÉNÉRATEUR

Lisez et comprenez toutes les informations de sécurité avant de démarrer le générateur.

**⚠ DANGER**

L'utilisation d'un générateur à l'intérieur PEUT VOUS TUER EN QUELQUES MINUTES.  
L'échappement du générateur contient du monoxyde de carbone. C'est un poison que vous ne pouvez ni voir ni sentir.

 <p>NE JAMAIS utiliser à l'intérieur d'une maison ou d'un garage, MÊME SI les portes et fenêtres sont ouvertes.</p>	 <p>Utilisez uniquement À L'EXTÉRIEUR et loin des fenêtres, des portes et des événements.</p>
--	--

NE JAMAIS faire fonctionner la génératrice à l'intérieur d'un bâtiment, y compris les garages, les sous-sols, les vides sanitaires, les remises, l'enceinte ou le compartiment, y compris le compartiment de la génératrice d'un véhicule récréatif.

**⚠ DANGER**

Risque d'électrocution. N'utilisez jamais le générateur dans un endroit mouillé ou humide. N'exposez jamais le générateur à la pluie, à la neige, aux projections d'eau ou à l'eau stagnante pendant son utilisation. Protégez le générateur de toutes les conditions météorologiques dangereuses. L'humidité ou la glace peuvent provoquer un court-circuit ou un autre dysfonctionnement dans le circuit électrique. L'utilisation d'un générateur ou d'un appareil électrique dans des conditions humides, telles que la pluie ou la neige, ou près d'une piscine ou d'un système d'arrosage, ou lorsque vos mains sont mouillées, peut entraîner une électrocution.

### ⚠ AVERTISSEMENT

Risque d'incendie. Faites fonctionner le générateur uniquement sur une surface solide et plane. Le fonctionnement du générateur sur une surface avec des matériaux meubles tels que du sable ou de l'herbe coupée peut provoquer l'ingestion de débris par le générateur qui pourraient bloquer les événements de refroidissement ou le système d'admission d'air. Laissez le générateur refroidir pendant 30 minutes avant le transport ou le stockage.

Le générateur doit toujours être sur une surface plane et de niveau (même lorsqu'il n'est pas en fonctionnement). Le générateur doit avoir au moins 5 pi (1,5 m) de dégagement de tout matériau combustible.

Ne faites pas fonctionner le générateur à l'arrière d'un VUS, d'un camping-car, d'une remorque, d'une plate-forme de camion (ordinaire, plate ou autre), sous des escaliers, près de murs ou de bâtiments, ou à tout autre endroit qui ne permettra pas un refroidissement adéquat du générateur et /ou silencieux. NE PAS contenir de générateurs pendant le fonctionnement.

### ⚠ DANGER

Risque d'asphyxie. Placez le générateur dans un endroit bien ventilé. NE PAS placer le générateur près des événements ou des prises où les gaz d'échappement pourraient être aspirés dans des espaces occupés ou confinés. Tenez soigneusement compte des courants d'air et de vent lors du positionnement du générateur.

### MISE À LA TERRE / MISE À LA TERRE

### ⚠ AVERTISSEMENT

Risque d'électrocution. Le fait de ne pas mettre correctement le générateur à la terre peut entraîner un choc électrique.

### AVIS

N'utilisez que des rallonges à 3 broches, des outils et des appareils mis à la terre, ou des outils et appareils à double isolation.

Le neutre du générateur est lié au châssis. Il y a un conducteur permanent entre le générateur (fil de stator) et le châssis. Si ce générateur doit être utilisé uniquement avec des cordons et des prises connectés aux prises montées sur le générateur, le National Electric Code n'exige pas que l'unité soit mise à la terre. Cependant, d'autres méthodes d'utilisation du générateur peuvent nécessiter une mise à la terre pour réduire le risque de choc ou d'électrocution.

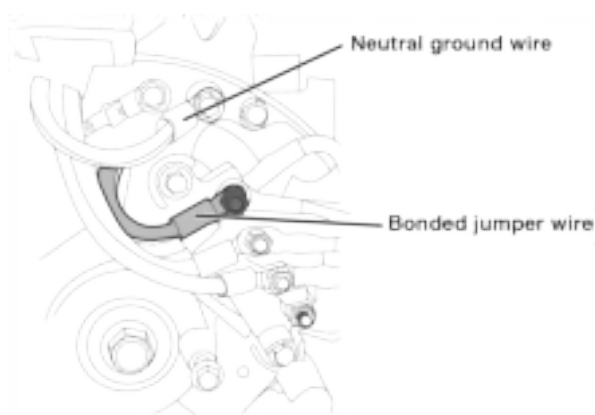
# OPÉRATION

Avant d'utiliser la borne de terre, consultez un électricien qualifié, un inspecteur en électricité ou une agence locale ayant juridiction pour les codes ou ordonnances locaux qui s'appliquent à l'utilisation prévue du générateur.

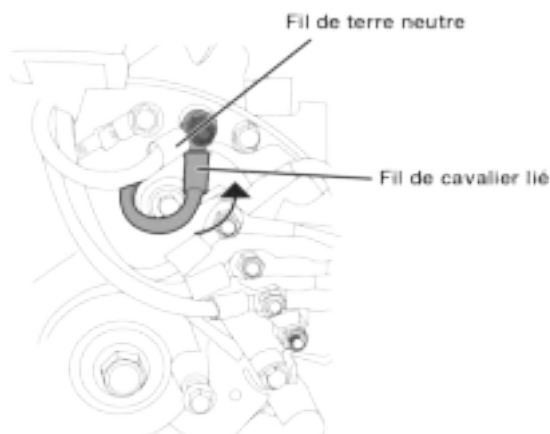
## DÉCONNEXION DU NEUTRE LIÉ

Le retrait du neutre lié désactive la protection GFCI des prises 5-20R. Le neutre lié ne doit être retiré que dans des circonstances spécifiques. Consultez un électricien qualifié pour déterminer si votre situation nécessite de déconnecter le neutre relié.

1. Retirer le couvercle de l'alternateur.
2. Retirez le fil de liaison lié et réinstallez l'écrou.



3. Retirez l'écrou fixant le fil de terre neutre et fixez le fil de liaison relié. Réinstaller l'écrou.



4. Réinstaller le couvercle de l'alternateur.

**IMPORTANT:** Appliquez une nouvelle étiquette «NEUTRAL UNBONDED» sur l'étiquette «NEUTRAL BONDED TO FRAME» à l'avant du panneau de commande.

## FONCTIONNEMENT À HAUTE ALTITUDE

La puissance du moteur diminue à mesure que vous travaillez au-dessus du niveau de la mer. La production sera réduite d'environ 3,5% pour chaque tranche de 1000 pieds d'altitude accrue par rapport au niveau de la mer.

Un réglage en haute altitude est nécessaire pour une utilisation à des altitudes supérieures à 2000 pieds (762 m). Le fonctionnement sans cet ajustement entraînera une baisse des performances, une augmentation de la consommation de carburant et une augmentation des émissions.

### AVIS

Ne pas faire fonctionner le générateur à des altitudes inférieures à 2 000 pieds (762 m) avec le kit haute altitude installé. Des dommages au moteur peuvent survenir.

**Kit de carburateur haute altitude** | **Partie# 518904**

## DÉMARRAGE À DISTANCE

### ⚠ AVERTISSEMENT

Vérifiez que la zone autour du générateur est dégagée avant de démarrer le générateur à distance.

Le porte-clés de démarrage à distance inclus avec le générateur doit être fixé à la poignée de recul ou au panneau de commande. Si votre appareil a été expédié sans porte-clés, contactez le service clientèle de Westinghouse.

Le générateur peut être démarré à distance jusqu'à 99 pieds (30 mètres) à l'aide du porte-clés de démarrage à distance.

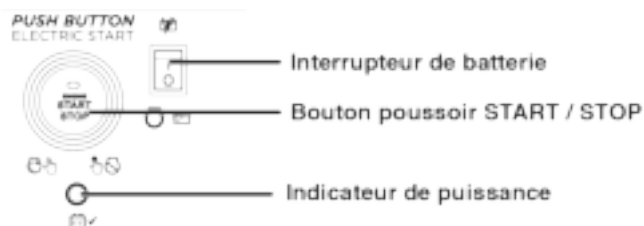
**Remarque:** Lorsque les piles du porte-clés de démarrage à distance s'épuisent, la distance opérationnelle diminue.

## APPAIRAGE DU DÉMARRAGE À DISTANCE

### Piles de remplacement à distance: (2) CR2016

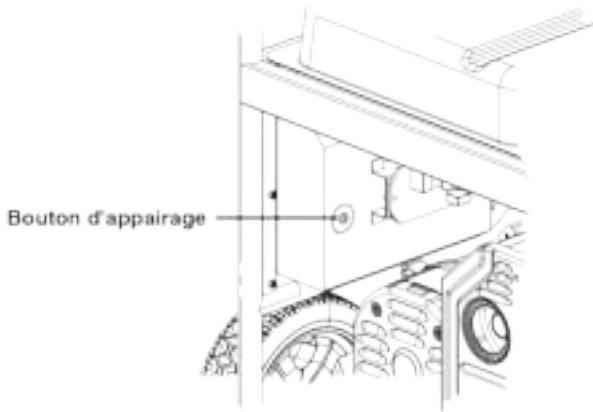
Si le porte-clés de démarrage à distance est remplacé ou doit être ré-appairé au générateur, suivez cette procédure.

1. Mettez l'interrupteur de la batterie du générateur en position ON. Le voyant d'alimentation s'allume.

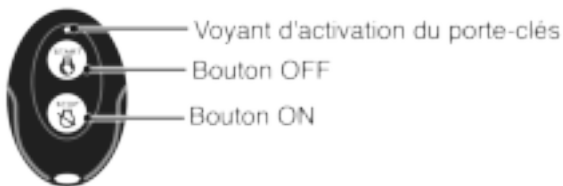


2. Appuyez et maintenez le bouton d'appairage rouge sur le côté du panneau de commande jusqu'à ce que le bouton START / STOP s'allume.





3. Appuyez sur le bouton STOP du porte-clés et maintenez-le enfoncé jusqu'à ce que l'éclairage du bouton START / STOP s'éteigne. Relâchez le bouton. Le bouton START / STOP s'allume une fois le bouton relâché.



4. Appuyez sur le bouton START de la télécommande et maintenez-le enfoncé jusqu'à ce que l'éclairage du bouton START/STOP s'éteigne. Relâchez le bouton. Le bouton START/STOP s'allumera une fois le bouton relâché.
5. Appuyez sur le bouton d'appairage sur le côté du panneau de commande jusqu'à ce que l'éclairage du bouton START/STOP s'éteigne. Relâchez le bouton.
6. Mettez l'interrupteur de la batterie du générateur en position OFF. La télécommande est maintenant couplée.

## RALENTI BAS

### AVIS

Démarrez toujours le générateur avec l'interrupteur de ralenti bas sur OFF. Laisser le régime du moteur se stabiliser avant d'activer le ralenti bas.

### AVIS

La sortie de fréquence du générateur dépend du régime du moteur. NE PAS utiliser le ralenti bas pour alimenter des composants électroniques sensibles ou des surtensions importantes telles qu'un climatiseur, une pompe électrique, un réfrigérateur ou lorsqu'il est connecté à un commutateur de transfert domestique.

Le ralenti réduit minimise la consommation de carburant, le bruit et l'usure du moteur en abaissant le régime moteur au ralenti (2400 tr / min) lorsque les charges électriques ont été coupées et revient automatiquement au régime

nominal lorsque les charges sont réactivées.

Activez Low Idle lorsque vous alimentez des charges intermittentes non électroniques, telles que des outils électriques sur un chantier.

## PÉRIODE DE RODAGE

Pour un bon rodage, ne dépassez pas 50% des watts de fonctionnement nominaux (6000 watts) pendant les cinq premières heures de fonctionnement.

Variez la charge de temps en temps pour permettre aux enroulements du stator de chauffer et de refroidir et aider à asseoir les segments de piston.

## AVANT DE DÉMARRER LE GÉNÉRATEUR

Vérifier que:

- Le générateur est placé dans un endroit sûr et approprié.
- Le générateur se trouve sur une surface sèche, plane et de niveau.
- Le moteur est rempli d'huile.
- Toutes les charges sont déconnectées.

### ⚠ DANGER

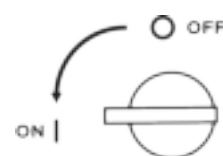
Risque d'incendie et d'explosion. NE PAS déplacer ni basculer le générateur pendant son fonctionnement.

## DÉMARRAGE DU MOTEUR

Pendant le démarrage par bouton-poussoir ou à distance, le moteur règle automatiquement le starter et commence la séquence de démarrage. Si le moteur ne démarre pas, le générateur tentera de démarrer le moteur deux fois de plus. Le coupe-batterie peut être désactivé à tout moment pendant la séquence de démarrage automatique pour interrompre la tentative de démarrage du moteur.

Si la vitesse de démarrage diminue après chaque tentative infructueuse, il se peut que la batterie ne soit pas suffisamment chargée. Vous pouvez utiliser le chargeur fourni pour charger la batterie en la branchant dans le port de charge de la batterie sur le panneau de commande.

1. Vérifiez que le carburant est dans le réservoir d'essence.
2. Tournez le sélecteur de carburant sur le panneau de commande sur le fonctionnement à essence.
3. Tournez le robinet du réservoir de carburant en position ON.



FUEL VALVE  
VÁLVULA DE GASOLINA  
SOUPAPE DE CARBURANT

# OPÉRATION

4. Poussez l'interrupteur de batterie en position ON.
5. Choisissez la méthode de départ:
  - a. **Démarrage à distance:** Appuyez et maintenez le bouton DÉMARRER sur le porte-clés de démarrage à distance pendant une seconde

**Remarque:** Les générateurs équipés d'un démarrage à distance doivent être redémarrés avec l'interrupteur START/STOP sur le panneau de commande après un arrêt automatique..

- b. **Démarrage par bouton-poussoir:** appuyez sur le bouton de démarrage / arrêt du moteur et maintenez-le enfoncé pendant deux secondes.

## ARRÊT DU MOTEUR

1. Téteignez et débranchez toutes les charges électriques connectées.

**IMPORTANT:** Ne jamais démarrer ou arrêter le générateur avec des appareils électriques connectés.

2. Laisser le générateur fonctionner sans charge pendant plusieurs minutes pour stabiliser les températures internes du moteur.
3. Appuyez et maintenez le bouton START / STOP pendant une seconde ou appuyez sur STOP sur le porte-clés de démarrage à distance pendant une seconde.

**Note:** Sinon, si le générateur est rarement utilisé, tournez le robinet du réservoir de carburant sur la position OFF pour limiter le carburant résiduel restant dans le système. Le moteur s'arrête lorsque le carburant dans le carburateur et la conduite de carburant sont épuisés.

4. Poussez le commutateur de batterie en position OFF.
5. Si vous utilisez du propane, tournez le robinet du réservoir de propane en position complètement fermée.

## FRÉQUENCE D'UTILISATION

Si le générateur est utilisé de manière peu fréquente ou intermittente (plus d'un mois avant la prochaine utilisation), reportez-vous aux sections Entretien et stockage de la batterie de ce manuel pour obtenir des informations sur la charge de la batterie et la détérioration du carburant.

## DISJONCTEURS AC

Les disjoncteurs s'éteindront automatiquement s'il y a un court-circuit ou une surcharge importante du générateur à chaque prise.

Si un disjoncteur CA se coupe automatiquement, vérifiez que l'appareil fonctionne correctement et qu'il ne dépasse pas la

capacité de charge nominale du circuit avant de remettre le disjoncteur CA en MARCHÉ.

Le disjoncteur principal contrôle la sortie totale de toutes les prises pour protéger le générateur contre les surcharges ou les courts-circuits.



## CAPACITÉ DU GÉNÉRATEUR

### AVIS

Ne surchargez pas la capacité du générateur. Le dépassement de la capacité en watts / ampérage du générateur peut endommager le générateur et / ou les appareils électriques qui y sont connectés.

Assurez-vous que le générateur peut fournir suffisamment de watts continus (en fonctionnement) et de surtension (de démarrage) pour les éléments que vous alimenterez en même temps.

Les besoins de puissance totale (volts x ampères = watts) de tous les appareils connectés doivent être pris en compte. Les fabricants d'appareils et d'outils électriques indiquent généralement les informations de classification à côté du numéro de modèle ou de série.

Pour déterminer les besoins en énergie:

1. Sélectionnez les éléments que vous alimenterez en même temps.
2. Additionnez les watts continus (courants) de ces éléments. Il s'agit de la quantité d'énergie que le générateur doit produire pour maintenir les éléments en marche. Voir le tableau de référence de puissance à la page suivante.
3. Estimez le nombre de watts de surtension (de démarrage) dont vous aurez besoin. La puissance de surtension est la courte rafale de puissance nécessaire pour démarrer les outils ou appareils à moteur électrique tels qu'une scie circulaire ou un réfrigérateur. Étant donné que tous les moteurs ne démarrent pas en même temps, les watts de surtension totaux peuvent être estimés en ajoutant uniquement les éléments avec les watts de surtension supplémentaires les plus élevés au total des watts nominaux de l'étape 2.

**Exemple:**

Outil ou appareil	Watts courants*	Watts de départ*
-------------------	-----------------	------------------

Télévision (Type de tube)	300	0
Réfrigérateur RV	180	600
Radio	200	0
Lumière (75 watts)	300	0
Machine à café	600	0
<b>Total</b>	<b>1580</b>	<b>600 Watts de démarrage les plus élevés*</b>
Watts courants*		
Total des watts de fonctionnement	1580	
Watts de démarrage les plus élevés	+ 600	
Nombre total de watts de démarrage nécessaires	2180	

\* Les puissances indiquées sont approximatives. Vérifiez la puissance réelle.

## GESTION DE L'ALIMENTATION

Pour prolonger la durée de vie du générateur et des appareils connectés, soyez prudent lorsque vous ajoutez des charges électriques au générateur. Il ne devrait y avoir rien de connecté aux sorties du générateur avant de démarrer le moteur. La façon correcte et sûre de gérer l'alimentation du générateur consiste à ajouter des charges séquentiellement comme suit:

1. Sans rien connecté au générateur, démarrez le moteur comme décrit dans ce manuel.
2. Branchez et allumez la première charge, de préférence la plus grande charge dont vous disposez.
3. Permettre à la sortie du générateur de se stabiliser (le moteur tourne sans à-coups et l'appareil attaché fonctionne correctement).
4. Branchez et allumez la charge suivante.
5. Encore une fois, laissez le générateur se stabiliser.
6. Répétez les étapes 4 et 5 pour chaque charge supplémentaire.

## RÉFÉRENCE DE PUISSANCE

Outil ou appareil	Watts courants estimés*	Watts de démarrage estimés*
Lumières à incandescence (4 quantités x 75 watts)	300	0
Télévision (Type de tube)	300	0
Pompe de puisard (1/3 hp)	800	1300
Réfrigérateur ou congélateur	700	2200
Pompe de puits(1/3 hp)	1000	2000
Radio	200	0
Percer (3/8", 4 amps)	440	600
Scie circulaire (Robuste, 7-1/4 ")	1400	2300

Outil ou appareil	Watts courants estimés*	Watts de démarrage estimés*
Scie à onglet (10 ")	1800	1800
Scie à table (10 ")	2000	2000

\* Les puissances indiquées sont approximatives. Vérifiez la puissance réelle.

## RALLONGES

### ⚠ AVERTISSEMENT

Risque d'asphyxie. Les rallonges fonctionnant directement dans la maison augmentent le risque d'intoxication au monoxyde de carbone par les ouvertures. Si une rallonge qui entre directement dans votre maison est utilisée pour alimenter des éléments intérieurs, il existe un risque d'intoxication au monoxyde de carbone pour les personnes à l'intérieur de la maison. Utilisez toujours des détecteurs de monoxyde de carbone alimentés par batterie et conformes aux normes de sécurité UL 2034 en vigueur lors du fonctionnement du générateur. Vérifiez régulièrement la batterie du (des) détecteur (s).

### ⚠ AVERTISSEMENT

Risque d'asphyxie. Lorsque vous utilisez le générateur avec des rallonges, assurez-vous que le générateur est situé dans un espace extérieur ouvert, loin des espaces occupés avec l'évacuation dirigée vers l'extérieur.

### ⚠ AVERTISSEMENT

Risque d'incendie et d'électrocution. N'utilisez jamais de rallonges usées ou endommagées. Les rallonges endommagées ou surchargées peuvent surchauffer, présenter un arc et brûler, entraînant la mort ou des blessures graves.

Avant de connecter un appareil CA ou un cordon d'alimentation au générateur:

- Utilisez des rallonges à 3 broches, des outils et des appareils mis à la terre, ou des outils et appareils à double isolation.
- Assurez-vous que l'outil ou l'appareil est en bon état de fonctionnement. Des appareils ou des cordons d'alimentation défectueux peuvent créer un risque d'électrocution.
- Assurez-vous que la puissance électrique de l'outil ou de l'appareil ne dépasse pas la puissance nominale du générateur ou de la prise utilisée.

# OPÉRATION

## DIMENSIONS DU CORDON D'EXTENSION

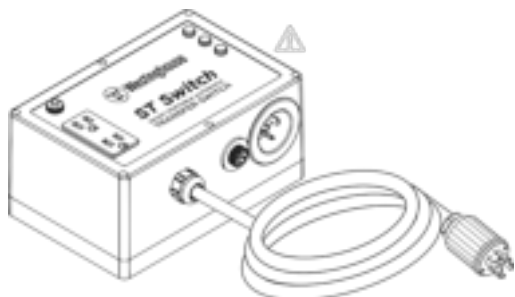
N'utilisez que des rallonges à 3 broches mises à la terre, marquées pour une utilisation en extérieur et conçues pour la charge électrique.

Total Intensité de courant	Jauge minimale, nominale extérieure	
	Jusqu'à 50 FT (15 M)	Jusqu'à 100 FT (30 M)
Jusqu'à 10A	12	8
Jusqu'à 15A	10	8
Jusqu'à 20A	10	6
Jusqu'à 30A	8	6
Jusqu'à 35A	6	6

## INTERRUPTEUR ST

Le générateur est compatible avec le commutateur ST, acheté séparément. Lorsque l'alimentation secteur est activée, elle fournira de l'énergie (jusqu'à 120 V @ 20 A) aux appareils branchés dans la prise 5-20R du commutateur ST.

En cas de coupure de courant, le commutateur ST transfère automatiquement la puissance d'entrée du secteur au générateur. Lorsque l'alimentation secteur est rétablie, le commutateur ST transfère la puissance d'entrée au secteur. Visitez [www.westinghouseoutdoorpower.com](http://www.westinghouseoutdoorpower.com) pour plus d'informations.



## TRANSPORT

### ▲ MISE EN GARDE

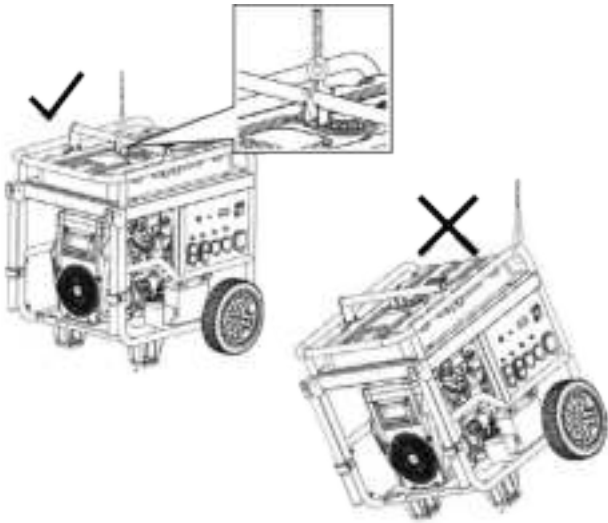
Risque de poids. Ayez toujours de l'aide pour soulever le générateur.

- Laisser le générateur refroidir au moins 30 minutes avant le transport.
- Remplacez tous les couvercles de protection sur le panneau de commande du générateur.
- Utilisez uniquement le châssis fixe de la génératrice pour soulever l'unité ou attacher des dispositifs de retenue de charge tels que des cordes ou des sangles d'arrimage. N'essayez pas de soulever ou de fixer le générateur en le tenant par l'un de ses autres composants.
- Maintenez l'appareil à niveau pendant le transport pour minimiser les risques de fuite de carburant ou, si possible, vidangez le carburant ou faites tourner le moteur jusqu'à ce que le réservoir de carburant soit vide avant le transport.
- Les roues du générateur sont uniquement destinées au transport manuel. Les roues ne sont pas adaptées au remorquage du générateur sur route ou hors route.
- Utilisez la poignée extensible pour le transport manuel d'une seule personne. N'utilisez la poignée que lorsque le générateur est éteint, stationnaire et posé sur une surface horizontale. N'utilisez pas la poignée pour soulever complètement le générateur du sol, le remorquer ou le remonter.

### ▲ MISE EN GARDE

Risque d'incendie. Ne mettez pas le générateur à l'envers et ne le placez pas sur le côté. Le carburant ou l'huile peuvent fuir et endommager le générateur.

## CROCHET DE LEVAGE



N'utilisez le crochet de levage que pour soulever l'unité ou attacher des dispositifs de retenue de charge tels que des cordes ou des sangles d'arrimage. N'essayez pas de soulever ou de fixer le générateur en le tenant par l'un de ses autres composants.

Avant de soulever le générateur, inspectez le support et assurez-vous qu'il est solidement fixé au générateur. Ne soulevez pas le générateur tant que le support de levage n'est pas solidement fixé.

1. Accrochez une chaîne ou une sangle à travers l'œillet du crochet de levage et assurez-vous qu'il est solidement fixé.
2. Connectez un dispositif de levage approprié à la chaîne ou à la sangle. Inspectez la chaîne et le crochet pour tout lien endommagé ou tout défaut pouvant entraîner une défaillance. Il est recommandé d'utiliser des crochets avec des verrous de sécurité installés.
3. Soulevez légèrement le générateur pour vous assurer qu'il se soulève droit et de niveau.

### ⚠ AVERTISSEMENT

Démarrage accidentel. Débranchez le soufflet de la bougie d'allumage de la bougie d'allumage et débranchez les bougies à connexion rapide de la batterie lors de l'entretien du générateur.

# ENTRETIEN

## ENTRETIEN

### CALENDRIER DE MAINTENANCE

Un entretien régulier améliorera les performances et prolongera la durée de vie du générateur. Suivez les intervalles horaires ou calendaires, selon la première éventualité. Un entretien plus fréquent est nécessaire lors du fonctionnement dans des conditions défavorables, comme indiqué ci-dessous.

<b>Avant chaque utilisation</b>
Vérifier l'huile moteur Vérifier le filtre à air
<b>Après les 20 premières heures ou le premier mois</b>
Changez l'huile du moteur <sup>1</sup>
<b>Après 50 heures ou tous les 6 mois</b>
Filtre à air propre <sup>2</sup>
<b>Après 100 heures ou tous les 6 mois</b>
Changer l'huile moteur Inspecter/nettoyer le pare-étincelles Inspecter/nettoyer la bougie Remplacer le filtre à essence Nettoyer la cuve du flotteur <sup>3</sup>
<b>Après 300 heures ou chaque année</b>
Remplacer la bougie Remplacer le filtre à air Remplacer le filtre à huile fin Inspecter/ajuster le jeu des soupapes <sup>3</sup>
<b>Tous les 2 ans</b>
Remplacer le tuyau de carburant

<sup>1</sup> Changez l'huile tous les mois en cas de fonctionnement sous forte charge ou à des températures élevées.

<sup>2</sup> Nettoyez plus souvent dans des conditions sales ou poussiéreuses. Remplacez le filtre à air s'il ne peut pas être nettoyé correctement.

<sup>3</sup> Il est recommandé que le service soit effectué par un concessionnaire Westinghouse agréé.

### RAPPELS D'ENTRETIEN

Les codes de rappel d'entretien seront affichés sur l'affichage des données en fonction des heures de vie de l'unité. Les codes de maintenance seront affichés jusqu'à ce que l'appareil soit éteint. Reportez-vous à la section Maintenance pour les procédures spécifiques.

Code de maintenance	Maintenance requise
P25	Changez l'huile du moteur
P50	Changer l'huile moteur, nettoyer le filtre à air

Code de maintenance	Maintenance requise
P100	Changer l'huile moteur, nettoyer le filtre à air, remplacer le filtre à carburant

### PIÈCES DE RECHANGE D'ENTRETIEN

La description	Numéro d'article
Filtre à air en mousse	5061
Bouchon de vidange d'huile rondelle d'écrasement	94242
Batterie, 18 AH	511092
Filtre à carburant	516401
Bougie d'allumage	97108 (F7TC)
Pare-étincelles	6859

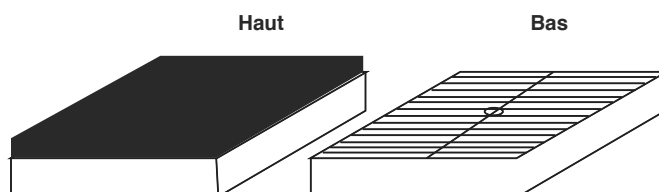
### ENTRETIEN DU FILTRE À AIR

Le filtre à air doit être nettoyé toutes les 50 heures d'utilisation ou six mois (la fréquence doit être augmentée si le générateur fonctionne dans un environnement poussiéreux).

- Placer le générateur sur une surface plane et laisser refroidir le moteur pendant plusieurs minutes.
- Relâchez les quatre clips puis retirez le couvercle du filtre à air.



- Retirez le filtre à air et nettoyez-le à l'air comprimé. NE PAS submerger le filtre dans des liquides ou ajouter de l'huile.
- Installez le filtre à air dans le boîtier, en vous assurant qu'il est correctement orienté et installé dans le boîtier.



- Installez le couvercle du filtre à air et fixez-le avec les clips du couvercle.

## CONTRÔLE DU NIVEAU D'HUILE MOTEUR

### ▲ MISE EN GARDE

Évitez tout contact cutané avec l'huile moteur. Portez des vêtements et des équipements de protection. Laver toute la peau exposée avec du savon et de l'eau.

### AVIS

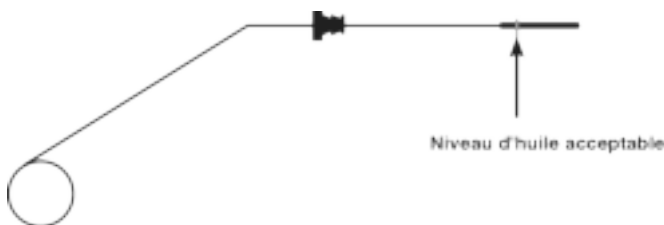
Utilisez toujours l'huile moteur spécifiée. Le fait de ne pas utiliser l'huile moteur spécifiée peut entraîner une usure accélérée et / ou raccourcir la durée de vie du moteur.

Vérifiez le niveau d'huile moteur avant chaque utilisation ou toutes les 8 heures de fonctionnement.

1. Placer le générateur sur une surface plane et laisser refroidir le moteur pendant plusieurs minutes.
2. Retirez la jauge d'huile et essuyez la jauge.
3. Insérez, retirez la jauge d'huile.

**Niveau d'huile acceptable** - Sur le côté plat de la jauge, l'huile est visible jusqu'au premier cran.

**Bas niveau d'huile** - L'huile est en dessous du premier cran de la jauge.



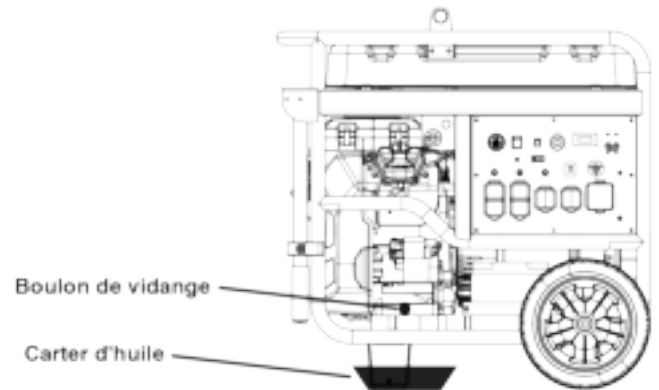
4. S'il est bas, retirez le bouchon de remplissage d'huile et ajoutez progressivement l'huile moteur recommandée et revérifiez jusqu'à ce que le niveau atteigne l'encoche supérieure de la jauge. Ne pas trop remplir. En cas de dépassement de l'encoche supérieure de la jauge, vidangez l'huile pour réduire le niveau d'huile à la marque maximale.
5. Remplacez la jauge d'huile et le bouchon de remplissage d'huile.

## CHANGEMENT D'HUILE MOTEUR

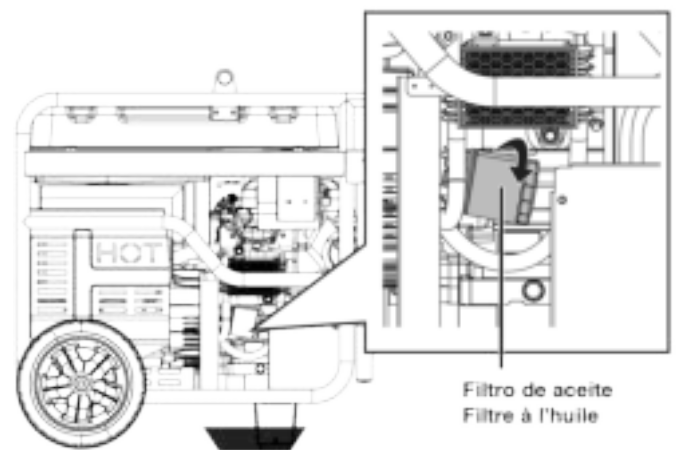
Lorsque vous utilisez le générateur dans des conditions poussiéreuses ou par temps extrêmement chaud, changez l'huile plus fréquemment. Changer l'huile pendant que le moteur est encore chaud du fonctionnement.

1. Placer le générateur sur une surface plane et laisser refroidir le moteur pendant plusieurs minutes.

2. Avec un chiffon humide, nettoyez autour du bouchon de remplissage d'huile. Retirez le bouchon de remplissage d'huile.
3. Colocque un c arter de aceite (o recipiente adecuado) debajo de la manguera de drenaje de aceite.
4. Suelte la manguera de drenaje de aceite y gire la tapa en sentido antihorario para permitir que el aceite se drene.



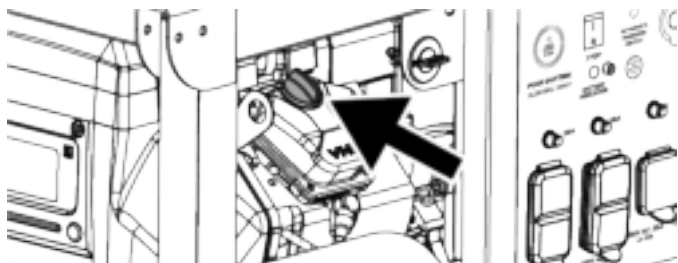
5. Gire la tapa en sentido horario para cerrar. Asegure la manguera en el clip de la manguera.
6. Placez le c arter d'huile sous le filtre   huile. Retirez le filtre   huile en le tournant dans le sens antihoraire. Laisser l'huile s' couler compl tement. Nettoyez la zone o  le filtre   huile entre en contact avec le moteur.



7. Appliquez de l'huile propre sur le joint en caoutchouc du nouveau filtre   huile. Installer   la main, en tournant dans le sens des aiguilles d'une montre jusqu'  ce que le joint entre en contact avec le moteur, puis tourner encore 3/4 de tour. Ne pas trop serrer.

# ENTRETIEN

- Remplissez avec l'huile recommandée. Arrêtez-vous fréquemment pour vérifier le niveau d'huile. Ne pas trop remplir. Si le moteur est trop rempli, l'excès d'huile peut être transféré vers le boîtier du filtre à air et le filtre à air. Une indication de remplissage excessif est une fumée blanche ou bleue provenant du silencieux lorsque le moteur est en marche.



**Capacité d'huile maximale:** 1.7 Quart (1.6 Liter)

- Installez la jauge d'huile. Visser fermement le bouchon de remplissage d'huile.

## AVIS

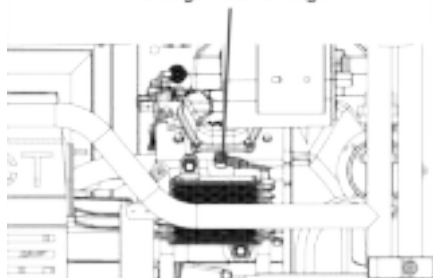
Do not pollute. Follow the guidelines of the EPA or other governmental agencies for proper disposal of hazardous materials. Consult local authorities or reclamation facility.

## MAINTENANCE DE LA BOUGIE

Inspectez et nettoyez les bougies d'allumage toutes les 100 heures d'utilisation ou six mois. Remplacez les bougies d'allumage après 300 heures d'utilisation ou chaque année.

- Placer le générateur sur une surface plane et laisser refroidir le moteur.
- Retirez les soufflets de bougie d'allumage en tirant fermement sur le soufflet directement loin du moteur.

Bougie d'allumage



- Nettoyez la zone autour des bougies d'allumage.
- Retirez les bougies d'allumage avec la clé à douille de bougie incluse.

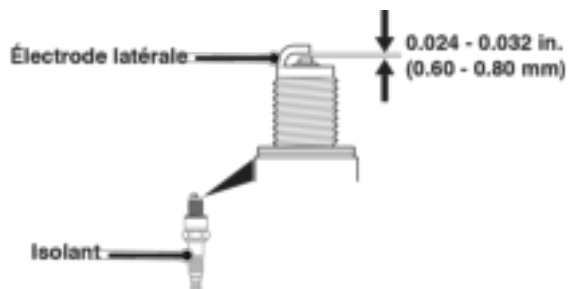
## AVIS

N'appliquez jamais de charge latérale et ne déplacez jamais la bougie d'allumage latéralement lors du retrait de la bougie.

- Inspectez les bougies d'allumage. Remplacez-les si les électrodes sont piquées, brûlées ou si l'isolant est fissuré. Utilisez uniquement une fiche de remplacement recommandée.

- Mesurez l'écartement des électrodes de la bougie avec une jauge d'épaisseur à fil. Si nécessaire, corrigez l'écart en pliant soigneusement l'électrode latérale.

**Ecartement électrode bougie:** 0.024 – 0.032 in. (0.60 – 0.80 mm)



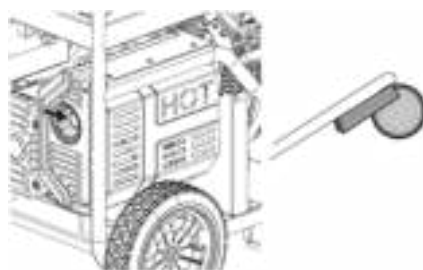
- Installez soigneusement chaque bougie à la main, puis serrez de 3/8 à 1/2 tour supplémentaire avec la clé à bougie.

- Fixez les bougies d'allumage.

## SERVICE DE PARE-ÉTINCELLES

Laisser le silencieux refroidir complètement avant de réparer le pare-étincelles. Vérifiez et nettoyez le pare-étincelles toutes les 100 heures d'utilisation ou six mois. Le fait de ne pas nettoyer le pare-étincelles entraînera une dégradation des performances du moteur.

- Placer le générateur sur une surface plane.
- Retirez soigneusement les dépôts de carbone de l'écran pare-étincelles avec une brosse métallique. Le pare-étincelles doit être exempt de cassures et de déchirures. Utilisez de l'air comprimé pour éliminer les dépôts.



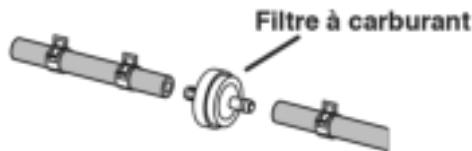


## FILTRE À CARBURANT

Remplacez le filtre à carburant après 100 heures d'utilisation.

**Note:** Ayez un réservoir d'essence approprié et des chiffons prêts à attraper le carburant résiduel dans le filtre et la conduite de carburant.

1. Laissez le générateur refroidir complètement.
2. Tournez le robinet de carburant en position OFF.



3. Notez l'orientation du filtre à carburant. À l'aide de pinces, retirez les colliers de la conduite de carburant et retirez le filtre à carburant.
4. Installez le nouveau filtre à carburant dans l'ordre inverse de la dépose.

## ENTRETIEN DE LA BATTERIE

La batterie livrée avec le générateur a été complètement chargée. Une batterie peut perdre une partie de sa charge lorsqu'elle n'est pas utilisée pendant de longues périodes.

**Remarque:** Once started, the generator will charge the battery after 30–60 minutes of use.

Le chargeur d'entretien inclus peut rester connecté et conservera la batterie pendant une période indéfinie. Un voyant rouge sur le chargeur indique que la charge est en cours. Un voyant vert indique que la charge est terminée. Charger dans un endroit sec.

1. Branchez le chargeur dans le port de charge de la batterie sur le panneau de commande.
2. Branchez l'extrémité de la prise murale du chargeur de batterie dans une prise murale de 120 volts CA.

## REPLACEMENT DE LA BATTERIE

### ⚠ AVERTISSEMENT

Risque de brûlure. La batterie contient de l'acide sulfurique (électrolyte) qui est très corrosif et toxique. Portez des vêtements de protection et des lunettes de protection lorsque vous travaillez à proximité de la batterie. Tenez les enfants éloignés de la batterie.

### ⚠ MISE EN GARDE

Les bornes et bornes de batterie contiennent du plomb et des composés de plomb. Se laver les mains après manipulation.

1. Retirez les deux boulons de la plaque de batterie et la plaque de batterie. Inclinez la batterie vers l'avant et retirez.
2. Débranchez le câble négatif (-) (botte noire) de la borne négative (-) de la batterie.
3. Débranchez le câble de batterie positif (+) (botte rouge) de la borne positive (+) de la batterie.
4. Sur la batterie de remplacement, connectez le câble positif (+) de la batterie (botte rouge) à la borne positive (+) de la batterie. Fixez le coffre sur la borne de batterie.
5. connectez le câble de batterie négatif (-) (botte noire) à la borne positive négative (-). Fixez le coffre sur la borne de batterie.
6. Installez la batterie dans le plateau de batterie. Installez la plaque de batterie et les boulons. Serrez fermement les boulons.

### AVIS

Débarassez-vous de la batterie usagée conformément aux directives établies par votre gouvernement local ou régional.

# ENTRETIEN

## ESPACE DE RANGEMENT

Une préparation de stockage appropriée est nécessaire pour un fonctionnement sans problème et la longévité du générateur.

### AVIS

L'essence stockée pendant aussi peu que 30 jours peut se détériorer, provoquant une accumulation de gomme, de vernis et de corrosion dans les conduites de carburant, les passages de carburant et le moteur. Cette accumulation corrosive restreint le débit de carburant, ce qui peut empêcher le moteur de démarrer après une période de stockage prolongée. L'utilisation d'un stabilisateur de carburant augmente considérablement la durée de stockage de l'essence. Il est recommandé d'utiliser à plein temps le stabilisateur de carburant. Suivez les instructions d'utilisation du fabricant.

### TEMPS DE STOCKAGE

### PROCÉDURE RECOMMANDÉE

Moins de 1 mois	Aucun service requis.
2 à 6 mois	Faites le plein d'essence fraîche et ajoutez du stabilisateur d'essence. Vidangez le bol du flotteur du carburateur.
6 mois ou plus	Vidanger le réservoir de carburant et la cuve du flotteur du carburateur.

## STOCKAGE À COURT TERME

- Laisser le générateur refroidir au moins 30 minutes avant de le ranger.
- Si vous utilisez du GPL, tournez le robinet du réservoir de propane en position complètement fermée et débranchez le tuyau GPL / propane du générateur et du réservoir de propane.
- Remplacez tous les couvercles de protection sur le panneau de commande du générateur.
- Essuyez le générateur avec un chiffon humide. Nettoyez tous les débris des événements de refroidissement du silencieux.
- Entrez le générateur dans un endroit bien ventilé et sec à l'écart des étincelles, des flammes nues, des veilleuses, de la chaleur et d'autres sources d'inflammation telles que les zones avec un moteur électrique produisant des étincelles ou là où des outils électriques sont utilisés.
- Ne stockez pas le générateur, les réservoirs d'essence ou de propane à proximité de fournaies, de chauffe-eau ou de tout autre appareil produisant de la chaleur ou à allumage automatique.
- Avec le moteur et le système d'échappement froids et toutes les surfaces sèches, couvrez le générateur

pour empêcher la poussière d'entrer. N'utilisez pas de feuille de plastique comme cache anti-poussière. Les matériaux non poreux retiennent l'humidité et favorisent la rouille et la corrosion.

## STOCKAGE À LONG TERME

Même un carburant correctement stabilisé peut laisser des résidus et provoquer de la corrosion s'il est laissé à long terme. Si vous stockez le générateur pendant plus de six mois, vidangez le réservoir de carburant.

## VIDANGE DU RÉSERVOIR DE CARBURANT

Si vous entreposez le générateur pendant plus de six mois, vidangez le réservoir de carburant pour éviter la séparation du carburant, la détérioration et les dépôts dans le système de carburant.

1. Dévissez le bouchon du réservoir de carburant. Retirez le filtre à carburant en le comprimant légèrement tout en le retirant du réservoir.
2. À l'aide d'une pompe à essence disponible dans le commerce (non incluse), siphonnez l'essence du réservoir de carburant dans un réservoir d'essence approuvé. N'utilisez PAS de pompe électrique.

OU

Débranchez la conduite de carburant du bas du réservoir de carburant et laissez le carburant s'écouler dans un réservoir d'essence approuvé. Réinstallez la conduite de carburant.

3. Réinstallez le filtre à carburant et le bouchon du réservoir de carburant.
4. Démarrez le générateur et laissez-le fonctionner jusqu'à ce que le moteur du générateur s'arrête.
5. Poussez le commutateur de batterie en position OFF.
6. Déconnectez la batterie.

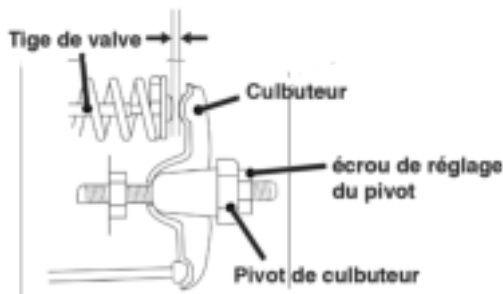
## LE JEU DES SOUPAPES

### AVIS

Le contrôle et le réglage du jeu des soupapes doivent être effectués lorsque le moteur est froid.

Exécutez cette procédure sur les deux cylindres.

1. Retirez le couvercle du culbuteur et retirez soigneusement le joint. Si le joint est déchiré ou endommagé, il doit être remplacé.
2. Retirez la bougie d'allumage afin que le moteur puisse tourner plus facilement.
3. Faites tourner le moteur jusqu'au point mort haut (PMH) en appuyant momentanément sur le bouton de démarrage. En regardant à travers le trou de la bougie, le piston doit être en haut (les deux soupapes sont fermées).
4. Les deux culbuteurs doivent être desserrés au PMH sur la course de compression. Si ce n'est pas le cas, faites tourner le moteur à 360 °.
5. Insert a feeler gauge between the rocker arm and the valve stem to measure valve clearance.



	Soupape d'admission	La soupape d'échappement
<b>Le jeu des soupapes</b>	0.0031 – 0.0047 in (0.08 – 0.12 mm)	0.0051 – 0.0067 in (0.13 – 0.17 mm)
<b>Couple</b>	8-12 N•m	8-12 N•m

6. Si un réglage est nécessaire, maintenez le pivot du culbuteur et desserrez l'écrou de réglage du pivot.
7. Tournez le pivot du culbuteur pour obtenir le jeu spécifié. Maintenez le pivot du culbuteur et resserrez l'écrou de réglage du pivot au couple spécifié.

**Couple: 106 inch-pound (12 N•m)**

8. Exécutez cette procédure pour l'autre vanne.
9. Installez le joint, le couvercle du culbuteur et la bougie d'allumage.

# DÉPANNAGE

## DÉPANNAGE

### DÉPANNAGE

PROBLÈME	CAUSE POSSIBLE	CORRECTION
Le moteur ne démarre pas	Interrupteur de batterie en position OFF.	Mettez l'interrupteur de la batterie en position ON.
	En panne d'essence.	Ravitailler.
	Mauvais carburant, générateur stocké sans traiter ni vidanger l'essence, ou ravitaillé avec de l'essence défectueuse.	Videz le réservoir de carburant. Faites le plein d'essence fraîche.
	Filtre à air sale.	Nettoyez le filtre à air.
	Le niveau d'huile moteur bas a arrêté le générateur.	Si le voyant de niveau d'huile bas est allumé, tournez le commutateur de batterie en position OFF. Ajoutez de l'huile moteur.
	Bougie d'allumage mouillée de carburant (moteur noyé).	Attendez cinq minutes. Mettez l'interrupteur de la batterie en position OFF. Tirez la poignée de recul rapidement plusieurs fois. Si le générateur ne démarre pas, retirez la bougie et séchez.
	Bougie d'allumage défectueuse, encrassée ou mal espacée.	Écartez ou remplacez la bougie. Réinstaller.
	Filtre à carburant obstrué, dysfonctionnement du système d'alimentation en carburant, défaillance de la pompe à carburant, dysfonctionnement d'allumage, vannes bloquées, etc.	Contactez le service à la clientèle de Westinghouse sans frais au 1 (855) 944-3571.
	Batterie déchargée.	Utilisez la poignée de recul pour démarrer le générateur. Charger la batterie.
	Starter partiellement ouvert ou fermé en raison d'une batterie faible ou déconnectée.	Réglez manuellement le starter. Voir la section Maintenance.
Le moteur démarre, puis s'arrête	En panne d'essence.	Ravitailler.
	Niveau d'huile moteur incorrect.	Vérifiez le niveau d'huile moteur.
	Filtre à air sale.	Nettoyez le filtre à air.
	Carburant contaminé.	Videz le réservoir de carburant. Faites le plein d'essence fraîche.
	Interrupteur de bas niveau d'huile défectueux.	Contactez le service à la clientèle de Westinghouse sans frais au 1 (855) 944-3571.
Le moteur manque de puissance	Filtre à air obstrué.	Nettoyez ou remplacez le filtre à air.
	Mauvais carburant, générateur stocké sans traiter ni vidanger l'essence, ou ravitaillé avec de l'essence défectueuse.	Videz le réservoir de carburant. Faites le plein d'essence fraîche.
	Filtre à carburant obstrué, dysfonctionnement du système d'alimentation en carburant, défaillance de la pompe à carburant, dysfonctionnement d'allumage, vannes bloquées, etc.	Contactez le service à la clientèle de Westinghouse sans frais au 1 (855) 944-3571.
Le moteur tourne mal ou tourbillonne lors de l'application de la charge	Filtre à air sale.	Nettoyez le filtre à air.
	Générateur surchargé.	Débranchez certains appareils.
	Outil électrique ou appareil défectueux.	Remplacez ou réparez l'outil ou l'appareil. Arrêtez et redémarrez le moteur.
	Filtre à carburant obstrué, dysfonctionnement du système d'alimentation en carburant, défaillance de la pompe à carburant, dysfonctionnement d'allumage, vannes bloquées, etc.	Contactez le service à la clientèle de Westinghouse sans frais au 1 (855) 944-3571.
Pas d'alimentation aux prises CA	La LED OUTPUT READY est éteinte et la LED OVERLOAD est allumée.	Vérifiez la charge CA. Arrêtez et redémarrez le moteur. Vérifiez l'entrée d'air. Arrêtez et redémarrez le moteur.
	Disjoncteur / s CA déclenché.	Vérifiez les charges CA et réinitialisez le (s) disjoncteur (s).
	Outil électrique ou appareil défectueux.	Remplacez ou réparez l'outil ou l'appareil. Arrêtez et redémarrez le moteur.
	Générateur défectueux.	Contactez le service à la clientèle de Westinghouse sans frais au 1 (855) 944-3571.



**WestinghouseOutdoorPower.com**

**Service Hotline: (855) 944-3571**

**777 Manor Park Drive  
Columbus, OH 43228**

**Ⓜ and Westinghouse are trademarks of Westinghouse Electric Corporation.  
Used under license by Westinghouse Outdoor Power Equipment. All Rights Reserved**

WGen12000c Rev01  
122336 Rev01 04/22