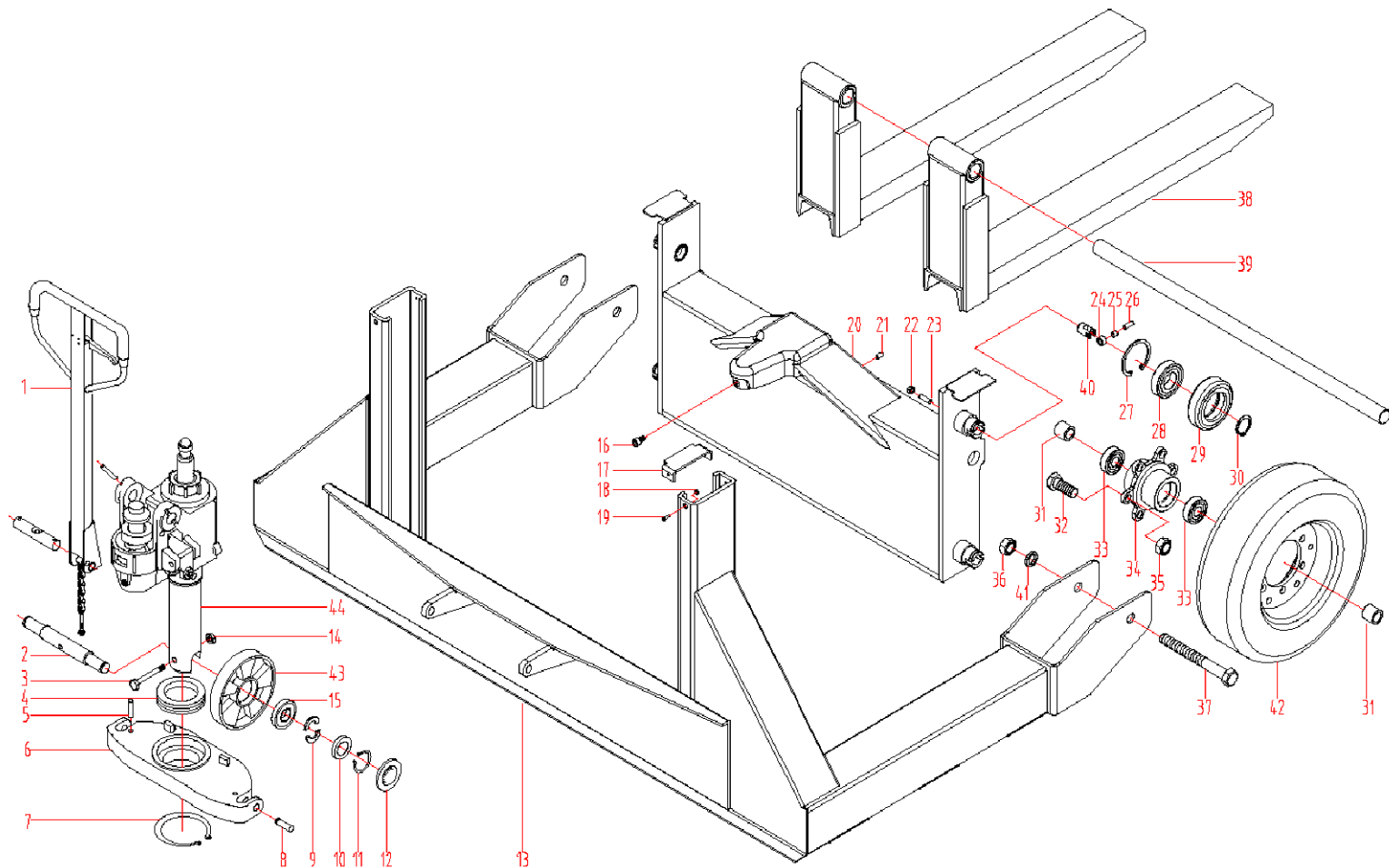


274718



REPLACEMENT PARTS LIST			
ITEM	PART NO.	DESCRIPTION	QTY.
1	XXXXXX	HANDLE ASSEMBLY	1
2		FRONT AXLE	1
3		HEX BOLT M8X55	1
4		THRUST BALL BEARING 51111	1
5		SPRING PIN 5X28	2
6		SUPPORTING SEAT	1
7		AXLE BUMPER 55	1
8		PIN ROLL 16X40	2
9		SEMI RING	4
10		CALATHIFORM	2
11		AXLE BUMPER 20	2
12		DUST COVER	2
13		CARFRAME UNIT	1
14		LOCK NUT M8	1
15		BEARING 60204	4
16		SOCKET HD CAP SCREW M6	1
17		U-COVER PLATE	2
18		LOCK NUT M4	4
19		SUNK SCREW M4X15	4
20		CARRIAGE UNIT	1
21		SET SCREW M8X16	1
22		NUT M8	4
23		SET SCREW M8X30	4
24		SIDE IDLER WHEEL	4
25		BUSH 8X10X10	4
26		SIDE ROLLER SHAFT	4
27		CIRCLIP FOR HOLE 72	4
28		BEARING 60207	4
29		PULLEY	4
30		AXLE BUMPER 35	4
31		SPACER BUSH	4
32		T-BOLT M14X45	12
33		BEARING 6304	4
34		WHEEL HUB	2
35		LOCK NUT M14	12
36		LOCK NUT M20	2
37		HEX BOLT M20X180	2
38		FORK UNIT	2
39		AXLE	1
40		SLIDING AXLE	4
41		SPRING WASHER 20	2
42		STEERING WHEEL 380	1
43		WHEEL 200X50, RUBBER	2
44		JACK UNIT	1

THIS DRAWING IN ALL PARTICULARS IS WESCO INDUSTRIAL PRODUCTS, LLC PROPERTY. ALL RIGHTS OF DESIGN, INVENTION OR USE OF ARE RESERVED.

PRINT ISSUED

AUG. 26, 2020

WESCO MANUFACTURING  
ENGINEERING DEPARTMENT

REV.	ECH & DATE	APP.	WESCO INDUSTRIAL PRODUCTS, LLC	
			NORTH WALES PENNA. 19454	
			PART NAME	ADVANTAGE PRO AT
			DRAWN: RWS 08-26-20	CHECKED:
REVISIONS			APP. ENGR.	
TOLERANCE UNLESS OTHERWISE SPECIFIED			SCALE:	
FRACTION			3 PLACE DECIMAL	2 PLACE DECIMAL
± 1/64			± .005	± .01
ANGULAR ± 1-1/2°			SHEET 1	OF 1
BREAK ALL SHARP EDGES AND REMOVE ALL BURRS			274718	
			REV	A