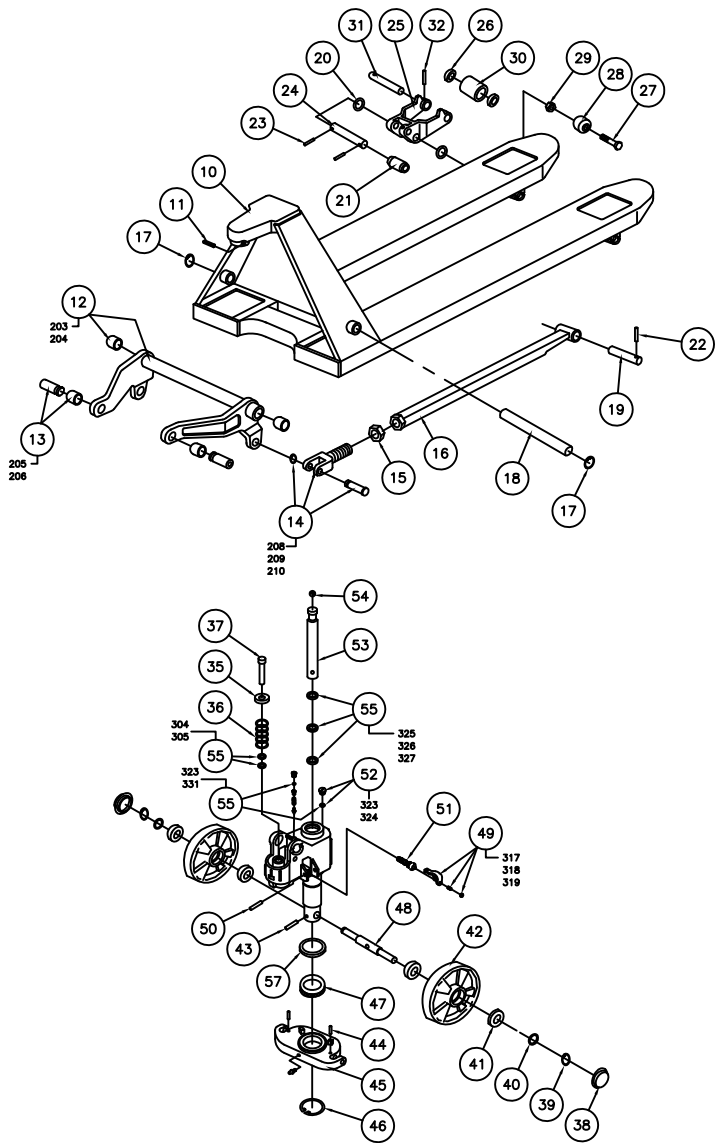
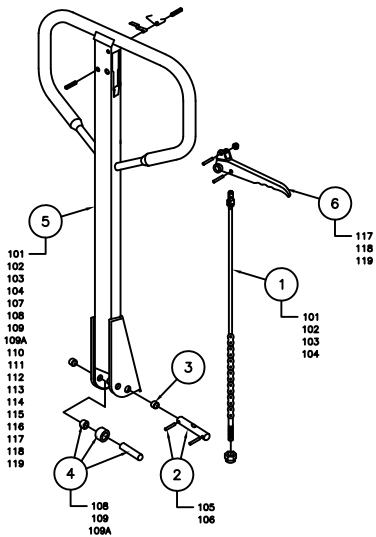


LONG FORK PALLET TRUCK

- Pump, load wheels and steering same as CPI model.
- Overload bypass.
- Rubber coated handle.
- 2 year pump warranty.
- 7" moldon polyurethane steering wheels.
- 3" moldon polyurethane oad wheels.
- 78" long forks handle 2 standard size pallets.



JACK PARTS LIST				
35	270032	301	SPRING CAP	1
36	270033	302	SPRING	1
37	270035	303	PUMP PISTON	1
38	272665	306	DUST COVER	2
39	270036	307	SPRING WASHER	2
40	270037	308	WASHER	2
41	272325	309	BEARING	4
42	272663	310	POLY STEERING WHEEL	2
43	270038	311	ELASTIC PIN	1
44	270041	312	ELASTIC PIN	2
45	270043	313	THRUST PLATE	1
46	270044	314	RETAINING RING	1
47	272100	315	THRUST PLATE	1
48	270045	316	SHAFT	1
49	270050		KIT: LEVER PLATE	1
		317	NUT	1
		318	SCREW	1
		319	LEVER PLATE	1
50	270053	320	ELASTIC PIN	1
51	272664	321	VALVE CARTRIDGE	1
52	270057		KIT: SCREW/WASHER	1
		323	SEAL WASHER	1
		324	SCREW PLUG	1
53	270058	328	PISTON ROD	1
54	270059	329	STEEL BALL	1
55	270061		KIT: SEAL	1
		304	DUST RING	1
		305	SEAL	1
		323	SEAL WASHER	1
		325	SEAL	1
		326	O-RING	1
		327	DUST RING	1
		331	O-RING	1
56	272661		REPLACEMENT PUMP	1
57	276011	337	BEARING COVER	1



P/N 273519

Wheel: Polyurethane
 Fork: 27" x 78"
 Weight: 320 lbs
 Capacity: 4,400 lbs

HANDLE PARTS LIST (Type "A")				
1	270060		ASS'Y: HANDLE RELEASE	1
		101	RELEASE ROD	1
		102	CHAIN	1
		103	ADJUSTING BOLT	1
		104	ADJUSTING NUT	1
2	270004		KIT: AXLE/PIN	1
		105	AXLE WITH HOLE	1
		106	ELASTIC PIN	2
3	273008	107	BUSHING	2
4	270005		KIT: PRESSURE ROLLER	1
		108	ROLLER PIN	1
		109	PRESSURE ROLLER	1
		109A	BUSHING	1
5	270007		KIT: HANDLE ASSEMBLY	1
		101	RELEASE ROD	1
		102	CHAIN	1
		103	ADJUSTING BOLT	1
		104	ADJUSTING NUT	1
		107	BUSHING	2
		108	ROLLER PIN	1
		109	PRESSURE ROLLER	1
		109A	BUSHING	1
		110	DRAW BAR	1
		111	STOP RUBBER	1
		112	ELASTIC PIN	1
		113	BLADE SPRING	1
		114	SPRING	1
		115	ELASTIC PIN	1
		116	ELASTIC PIN	1
		117	CONTROL HANDLE	1
		118	ROLLER	1
		119	ELASTIC PIN	1
6	272791		KIT: CONTROL HANDLE	1
		117	CONTROL HANDLE	1
		118	ROLLER	1
		119	ELASTIC PIN	1

FORK FRAME PARTS LIST				
10	N/A	201	FORK FRAME	1
11	270008	202	ELASTIC PIN	1
12	270010		KIT: ROCK-ARM/BUSHING	1
		203	ROCK-ARM	1
		204	BUSHING	2
13	270011		KIT: SHAFT/BUSHING	1
		205	SHAFT	2
		206	BUSHING	4
14	270012		KIT: JOINT	1
		208	RETAINING RING	2
		209	JOINT	2
		210	PIN	2
15	272318	211	NUT	2
16	270013	212	PUSHING ROD	2
17	270014	213	RETAINING RING	2
18	270015	214	SHAFT	1
19	270019	216	SHAFT	2
20	270020	217	INTERMEDIATE ROLLER	4
21	270022	218	EXTENDED ROLLER	2
22	270023	219	ELASTIC PIN	2
23	270024	220	ELASTIC PIN	4
24	270026	221	SHAFT	2
25	270027	222	FRAME OF ROLLER	2
26	272325	226	BEARING	4
27	272331	231	BOLT	2
28	272327	232	ENTER ROLLER	2
29	272326	233	LOCK NUT	2
30	272662	234	LOADING ROLLER	2
31	270030	235	SHAFT FOR ROLLER	2
32	270031	236	ELASTIC PIN	2

PRINT ISSUED
 DEC 1, 2006
 WESCO MANUFACTURING
 ENGINEERING DEPARTMENT

WESCO INDUSTRIAL PRODUCTS INC.
 NORTH WALES PENNA. 19454

PART NAME: PALLET TRK: 27X78
 LONG FORK

ISSUED: []
 CHECKED: []
 APPROVED: []

TOLERANCE UNLESS OTHERWISE SPECIFIED
 FINISHES: 2 PLATE FINISH, 3 PLATE FINISH, 4 PLATE FINISH, 5 PLATE FINISH, 6 PLATE FINISH, 7 PLATE FINISH, 8 PLATE FINISH, 9 PLATE FINISH, 10 PLATE FINISH, 11 PLATE FINISH, 12 PLATE FINISH, 13 PLATE FINISH, 14 PLATE FINISH, 15 PLATE FINISH, 16 PLATE FINISH, 17 PLATE FINISH, 18 PLATE FINISH, 19 PLATE FINISH, 20 PLATE FINISH, 21 PLATE FINISH, 22 PLATE FINISH, 23 PLATE FINISH, 24 PLATE FINISH, 25 PLATE FINISH, 26 PLATE FINISH, 27 PLATE FINISH, 28 PLATE FINISH, 29 PLATE FINISH, 30 PLATE FINISH, 31 PLATE FINISH, 32 PLATE FINISH, 33 PLATE FINISH, 34 PLATE FINISH, 35 PLATE FINISH, 36 PLATE FINISH, 37 PLATE FINISH, 38 PLATE FINISH, 39 PLATE FINISH, 40 PLATE FINISH, 41 PLATE FINISH, 42 PLATE FINISH, 43 PLATE FINISH, 44 PLATE FINISH, 45 PLATE FINISH, 46 PLATE FINISH, 47 PLATE FINISH, 48 PLATE FINISH, 49 PLATE FINISH, 50 PLATE FINISH, 51 PLATE FINISH, 52 PLATE FINISH, 53 PLATE FINISH, 54 PLATE FINISH, 55 PLATE FINISH, 56 PLATE FINISH, 57 PLATE FINISH, 58 PLATE FINISH, 59 PLATE FINISH, 60 PLATE FINISH, 61 PLATE FINISH, 62 PLATE FINISH, 63 PLATE FINISH, 64 PLATE FINISH, 65 PLATE FINISH, 66 PLATE FINISH, 67 PLATE FINISH, 68 PLATE FINISH, 69 PLATE FINISH, 70 PLATE FINISH, 71 PLATE FINISH, 72 PLATE FINISH, 73 PLATE FINISH, 74 PLATE FINISH, 75 PLATE FINISH, 76 PLATE FINISH, 77 PLATE FINISH, 78 PLATE FINISH, 79 PLATE FINISH, 80 PLATE FINISH, 81 PLATE FINISH, 82 PLATE FINISH, 83 PLATE FINISH, 84 PLATE FINISH, 85 PLATE FINISH, 86 PLATE FINISH, 87 PLATE FINISH, 88 PLATE FINISH, 89 PLATE FINISH, 90 PLATE FINISH, 91 PLATE FINISH, 92 PLATE FINISH, 93 PLATE FINISH, 94 PLATE FINISH, 95 PLATE FINISH, 96 PLATE FINISH, 97 PLATE FINISH, 98 PLATE FINISH, 99 PLATE FINISH, 100 PLATE FINISH

SCALE: 1" = 2"
 SHEET 1 OF 1
 D-273519