

REPLACEMENT PARTS LIST

ITEM	P/N	DESCRIPTION	QTY
1		FORK	1
2	172250	SCREW	1
3	172251	NUT	1
4	SEE #300	POWER UNIT	1
5	172249	HOLD YOKE	1
6	172252	WHEEL YOKE	1
7	172253	CENTRIFUGAL AXLE	2
8	172254	SPACER	2
9	272752	STEERING WHEEL	2
10	172255	SNAP RING	8
11	172256	PIN	2
12	172257	SNAP RING	12
13	172258	BUSH	2
14	172259	LEG	2
15	172260	LEG	1
16	172261	BUSH	2
17	172262	PIN	2
18	172263	WASHER	2
19	172264	NUT	2
20	172265	WASHER	8
21	172266	BALL BEARING	8
22	272753	FRONT WHEEL	2
23	172267	WHEEL AXLE	2
24	272756	ROLLER	4
25	172268	BUSH	2
26	172269	WASHER	4
27	172270	SPRING WASHER	2
28		NUT	2
31		SCREW	1
32		NUT	1
30		STEERING WHEEL ASSEMBLY (INCLUDES #6,9,10,21,31,32)	1

MANUAL HIGH LIFT PALLET JACK

- Two models: Telescoping/Non-Telescoping.
- Moldon polyurethane wheels.
- 180° steering arc.
- Loop handles with inside hand control.
- Closed pallets must be placed on top of forks.
- 1 year pump warranty.
- 6 1/2" wide forks.
- 6" moldon polyurethane steering wheels.
- 3" moldon polyurethane load wheels.

P/N 272755

Model: TSHL21

Fork WxL: 21" x 44.5"

Weight: 219 lbs

Capacity: 2,200 lbs

Telescoping: Yes

Lowered fork height: 3.6"

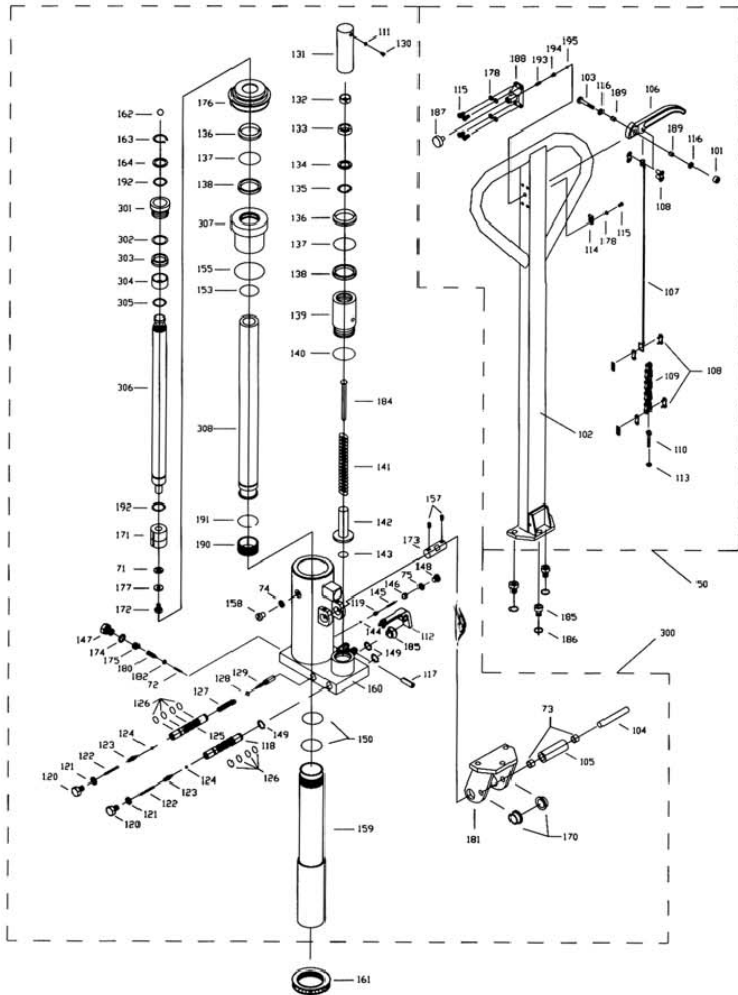
Raised fork height: 31.5"

PRINT ISSUED

DEC 1, 2006

WESCO MANUFACTURING
ENGINEERING DEPARTMENT

WESCO INDUSTRIAL PRODUCTS INC.		PENNA. 19454	
NORTH WALES		SERIAL KL 11-22-06	
PART NAME	TSHL-21	DATE	11-22-06
DESCRIPTION	Scissor High Lift Pallet Truck	DESIGN	
STANDARD LOADS (UNLESS SPECIFIED)		APP. DIM.	
FRONT	3 PLATE MODEL	3 PLATE MODEL	SOLE
2.140	3.000	3.000	
ANALYSIS 1-1/2"	SHIRT 1	OF 2	
DRAW ALL SHIP DIMS AND MACHINE ALL DIMS			D-272755



*Part Number 272751 is for models from before 2010 or after 2014 only. Part Number 273631 is for models from between 2010-2014 only.

REPLACEMENT PARTS LIST			
ITEM	P/N	DESCRIPTION	QTY
50	273631	HANDLE RELEASE ASSY (OLD)	1
50	272751	HANDLE RELEASE ASSY (NEW)	1
71		WASHER	1
72		SPRING	1
73	172336	BUSHING	2
74	272903	WASHER	1
75		GASKET	1
101	172271	LOCKNUT	1
102		HANDLE	1
103	172272	SCREW	1
104	172273	PIN	1
105	172274	ROLLER	1
106	172275	RELEASE LEVER	1
107	172276	RELEASE ROD	1
108	172277	CHAIN CONNECTOR	3
109	172278	CHAIN	1
110	172279	EYE BOLT	1
111	172280	WASHER	1
112	172281	PENDULUM ARM	1
113	172282	PENDULUM ARM NUT	1
114	172283	POSITIONER	1
115	172284	SCREW	5
116	172285	WASHER	2
117	172286	PIN	1
118	172287	VALVE INSERT	1
119	172288	SEAT	1
120	172289	SCREW	2
121	172290	GASKET	2
122	172291	SPRING	2
123	172292	RELEASE VALVE	2
124	172293	BALL	2
125	172294	VALVE INSERT	1
126	172295	O-RING	8
127	172296	SPRING	1
128	172297	O-RING	1
129	172298	RELEASE INDICATOR	1
130	172299	SCREW	1
131	CYL/PISTON KIT	PUMP PISTON	1
132	SEAL KIT ONLY	GUIDE RING	1
133	SEAL KIT ONLY	Y-RING	1
134	270676	WASHER	1
135	270677	SNAP RING	1
136	SEAL KIT ONLY	SCRAPER RING	1
137	SEAL KIT ONLY	O-RING	2
138	SEAL KIT ONLY	Y-RING	2
139	CYL/PISTON KIT	PUMP CYLINDER	1
140	SEAL KIT ONLY	O-RING	1
141	270471	SPRING	1
142	270679	HIGH PRESSURE PISTON	1
143	SEAL KIT ONLY	O-RING	1
144		BALL	1

REPLACEMENT PARTS LIST			
ITEM	P/N	DESCRIPTION	QTY
145		SPRING	1
146		ADJUSTING SCREW	1
147		SEALING SCREW	1
148		SCREW	1
149		SNAP RING	2
150	SEAL KIT ONLY	O-RING	2
153	SEAL KIT ONLY	O-RING	1
155	SEAL KIT ONLY	O-RING	1
157		SCREW	1
158	172302	AIR SCREW	1
159		CYLINDER	1
160		PUMP HOUSING	1
161	172303	THRUST BEARING	1
162	172304	BALL	1
163	172305	SNAP RING	1
164	172306	WASHER	1
170	172312	BUSHING	2
171		PISTON	1
172	172313	SCREW	1
173	172314	AXLE	1
174	172315	GASKET	1
175	172316	LOCK SCREW	1
176	172317	RUBBER SLEEVE	1
177	172318	WASHER	1
178	172319	WASHER	5
180	172321	ADJUSTING SCREW	1
181	172322	HANDLE BASE	1
182	172323	ADJUSTING WASHER	1
183	172324	RUBBER SLEEVE	1
184	172325	SPRING GUIDE	1
185	172326	SCREW	3
186	172327	SPRING WASHER	3
187	172328	LOCK SCREW FOR RELEASE LEVER	1
188	172329	SPRING SOCKET	1
189	172330	SPACER	2
190		COPPER PISTON	1
191	172331	SNAP RING	1
192	172332	SNAP RING	2
193	172333	SPRING	1
194	172334	PIN	1
195	172335	BALL	1
300	SEE TABLE BELOW	PUMP UNIT	1
301	172450	BUSHING	1
302	SEAL KIT ONLY	BACK-UP RING	1
303	SEAL KIT ONLY	Y-RING	1
304	172451	BUSHING	1
305		SNAP RING	1
306		PISTON ROD	1
307		CYLINDER HEAD	1
308		LIFTING RAM	1

NOTE: PARTS LISTED ABOVE FOR MODELS FROM BEFORE 2010 OR AFTER 2014 UNLESS OTHERWISE STATED

SEAL KIT	272757	SEAL KIT ONLY FOR MODELS FROM BEFORE 2010 OR AFTER 2014 (INCLUDES ITEMS 75, 126, 128, 132, 133, 136, 137, 138, 140, 143, 150, 153, 155, 302, 303)	1
CYLINDER/PISTON KIT	270675	CYLINDER/PISTON KIT (INCLUDES ITEMS 131 & 139)	1
50	272751	HANDLE RELEASE ASSEMBLY FOR MODELS FROM BEFORE 2010 OR AFTER 2014 (INCLUDES ITEMS 101, 102, 103, 106, 107, 108, 109, 110, 113, 114, 115, 116, 178, 187, 188, 189, 193, 194, 195)	1
50	273631	HANDLE RELEASE ASSEMBLY FOR MODELS FROM BETWEEN 2010-2014 (INCLUDES ITEMS 101, 102, 103, 106, 107, 108, 109, 110, 113, 114, 115, 116, 178, 187, 188, 189, 193, 194, 195)	1
300	272745	REPLACEMENT PUMP FOR MODELS FROM BETWEEN 2010-2014	1
300	272749	REPLACEMENT PUMP FOR MODELS FROM BEFORE 2010 OR AFTER 2014	1

PRINT ISSUED

DEC 1, 2006

WESCO MANUFACTURING
ENGINEERING DEPARTMENT

WESCO INDUSTRIAL PRODUCTS INC. NORTH WALES PENNA. 19454	
PART NAME TSHL-21 Scissor High Lift Pallet Truck	FORM NO. KL 11-22-06
DESIGNED BY TELEPHONE LINEAR SYSTEMS DIVISION	APP. DATE
FUNCTION 3 PLATE DESIGN	SCALE
REVISED & L-1/E	SHEET 2 OF 2
DRAW ALL SHARP EDGES AND REMOVE ALL BURRS	

D-272755