

260065

FLOOR LOCK NOTES

IF CUSTOMER HAS A FLOOR LOCK SPACER,
THEIR TABLE REQUIRES A 150001 4" FLOOR LOCK

IF CUSTOMER DOES NOT HAVE A FLOOR LOCK SPACER,
THEIR TABLE REQUIRES A 150033 6" FLOOR LOCK



FOOT PUMP HYDRAULIC LIFT TABLES

- Capacity ranges from 200 to 6,000 lbs.
- Solid steel top and base construction.
- Floor locks are standard on all 500+ lbs capacity tables.
- Casters provide easy mobility.

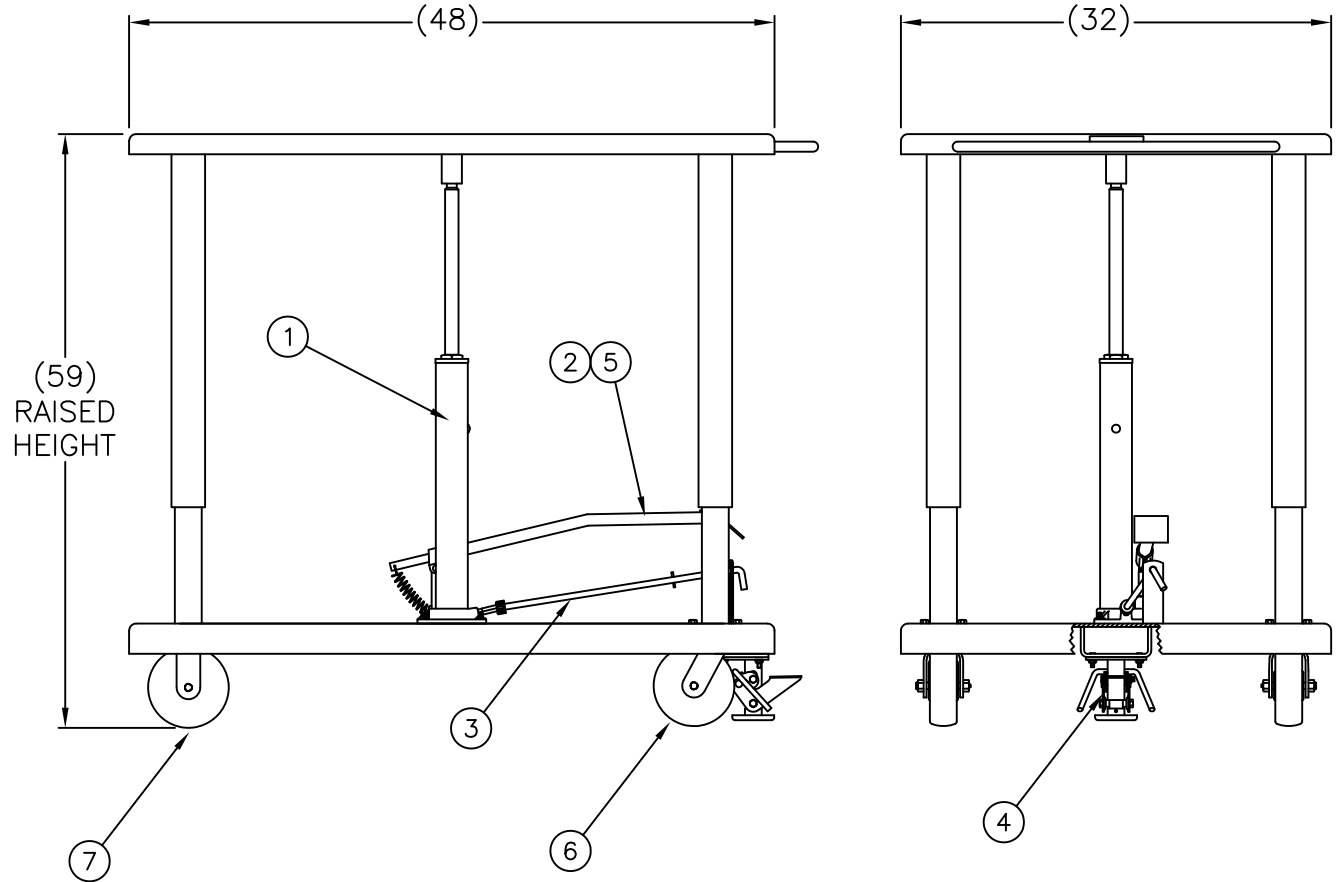
MEDIUM & HEAVY DUTY TABLES

- 2 rigid and 2 swivel 6" phenolic resin roller bearing casters.
- LTL models feature 4" casters and 3/8" lift per stroke.
- LT models feature 6" casters.
- Four support posts and push handle
- Foot operated floor lock.

P/N **260065**
 Model: LT-20-3248
 Weight: 465 lbs
 Table Size: 32" x 48"
 Lowered Height: 37"
 Raised Height: 59"
 Support Posts: Four
 Caster Size: 6"
 Capacity: 2,000 lbs

REPLACEMENT PARTS LIST

ITEM	PART NO.	DESCRIPTION	QTY.
1	270255	KIT: JACK, LT-20,40,60	1
2	050859	FOOT PEDAL ASSEMBLY (21")	1
3	050857	RELIEF HANDLE ASSEMBLY (18")	1
4	SEE NOTES	FLOOR LOCK	1
5	108316	PEDAL RETURN SPRING	1
6	054258	CASTER: SWIVEL	2
7	VERIFY	WHEEL 053770 OR CASTER 054257	2



THIS DRAWING IN ALL PARTICULARS IS WESCO INDUSTRIAL PRODUCTS INC. PROPERTY. ALL RIGHTS OF DESIGN, INVENTION OR USE OF ARE RESERVED.

PRINT ISSUED

JUL 25, 2003

WESCO MANUFACTURING
ENGINEERING DEPARTMENT

APP	WESCO INDUSTRIAL PRODUCTS INC.	
	NORTH WALES	PENNA. 19454
ECN & DATE	PART NAME	LT-20-3248
	REVISIONS	
REV.	TOLERANCE UNLESS OTHERWISE SPECIFIED	
	FRACTION	3 PLACE DECIMAL 2 PLACE DECIMAL
		± 1/64 ± .005 ± .01
	ANGULAR ± 1-1/2'	SHEET 1 OF 1
BREAK ALL SHARP EDGES AND REMOVE ALL BURRS		SCALE: 1/8
		C-260065 REV