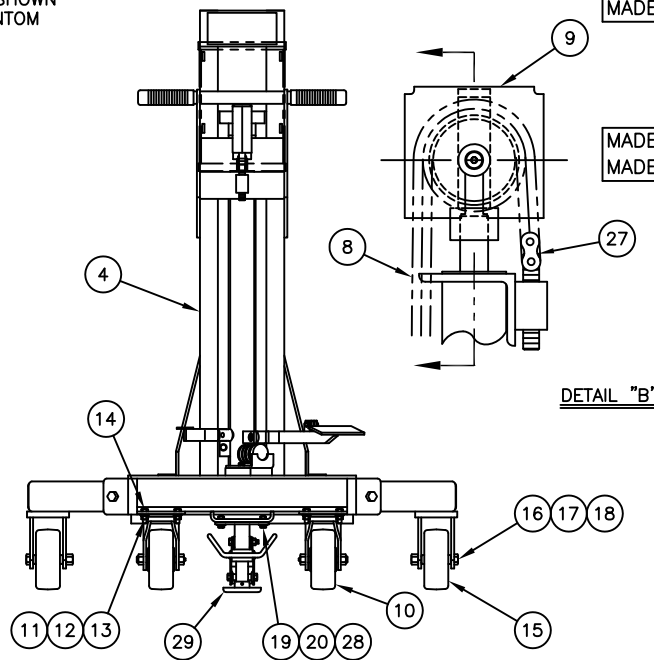
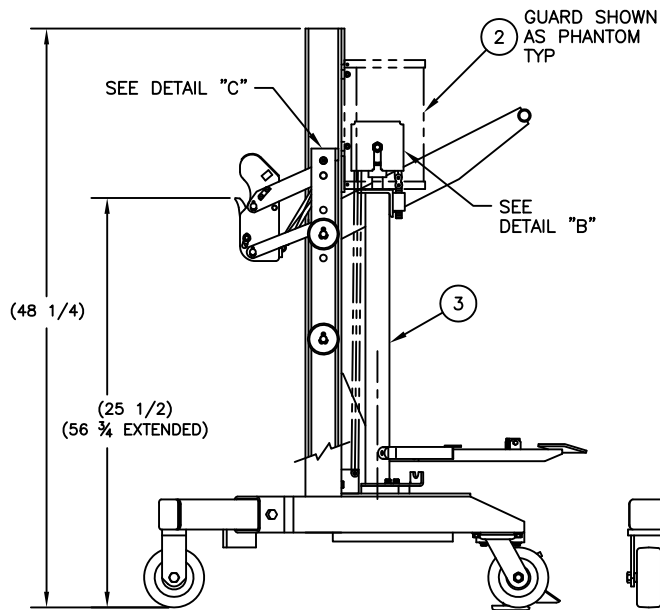


DETAIL "C" (CARRIAGE ASSEMBLY)



DETAIL "B"

REPLACEMENT PARTS LIST

ITEM	PART NO.	DESCRIPTION	QTY.
1	055079	GATOR GRIP JAW ASSEMBLY	1
2	055090	GUARD ASSEMBLY	1
3	055016	HYDRAULIC JACK ASSEMBLY	1
4	055007	OUTRIGGER WELDMENT-RH	1
5	055008	OUTRIGGER WELDMENT-LH	1
6	055286	SLIDE, GATOR GRIP	2
7	055063	ADJUSTMENT PIN	1
8	055068	LIFT CHAIN (31 7/8" LG)	1
9	051618	CHAIN ROLLER GUARD	1
10	054267	SWIVEL CASTER ASSEMBLY	2
11	108175	HEX NUT (5/16-18)	8
12	100170	LOCKWASHER (5/16)	8
13	100069	FLAT WASHER (5/16 SAE)	8
14	108149	HEX HD CAP SCR (5/16-18 X 1")	8
15	053769	WHEEL ASSEMBLY	2
16	108174	LOCK HEX NUT (1/2-13 2 WAY REV)	4
17	105311	SPANNER BUSHING	2
18	108161	HEX HD CAP SCR (1/2-13 X 3 1/2)	4
19	108427	FLAT WASHER (1/4 USS)	4
20	108169	1/4" LOCKWASHER	6
21	108944	CIRCLE COTTER PIN	1
22	108973	CARRIAGE ROLLER	6
23	108941	FLAT WASHER (1 OD X 1/2 ID)	12
24	108943	COTTER PIN (1/8 X 1")	6
24	100457	RING: RETAINING 1/2", EXT.	6
25	100642	HEX NUT (3/8-16)	2
26	105080	SOC HD CAP SCR (3/8-16 X 1-1/4)	2
27	108502	CONNECTING LINK	2
28	108918	HEX HD CAP SCR 1/4-20, 7/8L	4
29	150001	FLOOR LOCK ASSEMBLY	1
29	492038	FLOOR LOCK ASSEMBLY	1

SPECIFICATIONS:

WEIGHT: 355.5 lbs.  
LIFT HEIGHT: 20 INCHES  
RISE/STROKE: 1 INCH  
HEIGHT: 48 INCHES

LEGS RETRACTED:

CAPACITY: 650 lbs.  
LENGTH: 34.5 INCHES  
WIDTH: 36 INCHES

LEGS EXTENDED:

CAPACITY: 1,100 lbs.  
LENGTH: 37 INCHES  
WIDTH: 41 INCHES

CASTERS:

5" x 2" PHENOLIC

DIMENSIONAL INFORMATION:

	85 GAL.	55 GAL.	30 GAL.
MAXIMUM HEIGHT	61 1/4 INCHES	61 1/4 INCHES	53 INCHES
HIGHEST JAW POSITION	54 1/4 INCHES	54 1/4 INCHES	46 INCHES
UNDER LOAD (ADD 2.5" WITHOUT LOAD)			
LOWEST JAW POSITION	33 1/2 INCHES	33 1/2 INCHES	25 1/2 INCHES
HEIGHT TO BOTTOM OF DRUM AT MAX. HT.	15 INCHES	20 INCHES	18 INCHES

WESCO MANUFACTURING CO.  
NORTH WALES PENNA. 19454

PART NAME	DM-1100	DRAWN: DR	12-13-12
	DRUM MASTER (WESCO)	CHECKED:	
TOLERANCE UNLESS OTHERWISE SPECIFIED		APP. ENGR.	
FRACTION	3 PLACE DECIMAL	2 PLACE DECIMAL	SCALE: 1/8" = 1"
± 1/64	± .005	± .01	
ANGULAR ± 1-1/2°	SHEET 1 OF 1		C-240150 B
BREAK ALL SHARP EDGES AND REMOVE ALL BURRS			