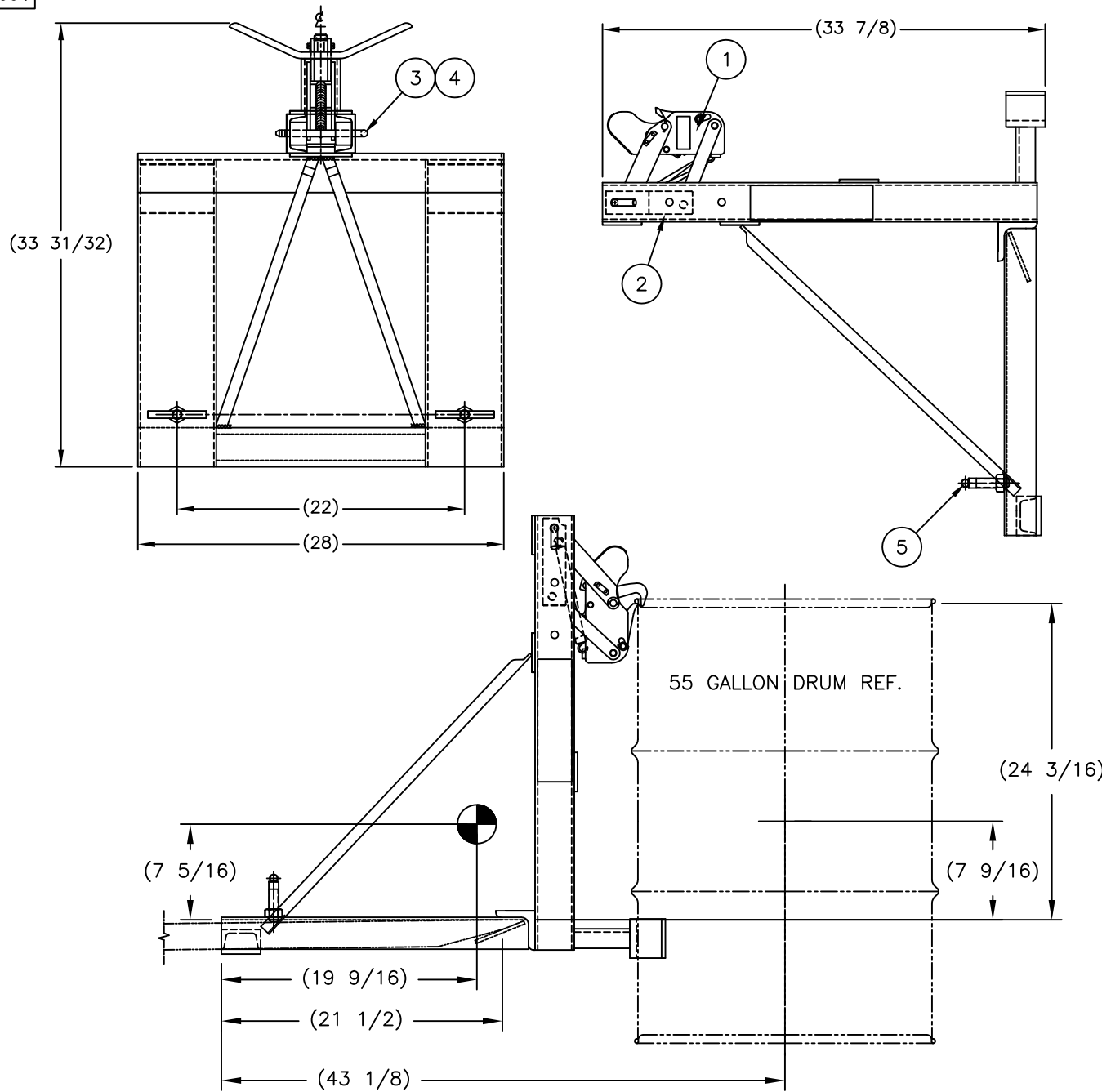


240091



REPLACEMENT PARTS LIST

1	055079	GATOR GRIP ASSEMBLY	1
2	055017	SLIDE	2
3	055234	ADJUSTMENT PIN	1
4	108944	PIN, CIRCLE COTTER, $\phi 1-1/8$	1
5	052974	WELDMENT: HANDLE CLAMP (DJ)	1

GATOR GRIP

- Picks up drums automatically. Driver never leaves seat while lifting and releasing drums.
- Use with open or closed head drums.
- Handles steel, fiber and poly drums.
- Gator Grips made USA
- Both single and dual grip products available.
- Economy and Heavy Duty models.

P/N 240091 Economy Single Drum

Model EGG-1
 Capacity 1,000 lbs.
 I.D. 5.5" x 2"
 Weight 126 lbs.
 Overall
 Dim. HxWxD 34" x 28" x 34"
 Boxed No

THIS DRAWING IN ALL PARTICULARS IS WESCO INDUSTRIAL PRODUCTS INC. PROPERTY. ALL RIGHTS OF DESIGN, INVENTION OR USE OF ARE RESERVED.

PRINT ISSUED

JUNE 11 2007

WESCO MANUFACTURING
 ENGINEERING DEPARTMENT

R
 W
 S
 12-21-12
 UPDATED ADDRESS
 C

WESCO INDUSTRIAL PRODUCTS INC. NORTH WALES PENNA. 19454	
PART NAME GRIP: GATOR; EGG-1 FORK MOUNTED SINGLE DRUM GRAB	DRAWING: GEH 03-19-03 CHECKED: PS 3-20-03 APP. ENGR.
TOLERANCE UNLESS OTHERWISE SPECIFIED	
FRACTION 3 PLACE DECIMAL 2 PLACE DECIMAL $\pm 1/64$ $\pm .005$ $\pm .01$	SCALE: 1" = 6"
ANGULAR $\pm 1-1/2'$ SHEET 1 OF 1 BREAK ALL SHARP EDGES AND REMOVE ALL BURRS	C-240091 REV C