



Description

The Wesco Gator Grip Fork Truck Mounted Drum Grab is designed specifically for lifting and transporting 16, 30, 55 and 85 gallon steel, fiber and poly drums.

This product is distributed by:

Wesco Industrial Products, Inc
1250 Welsh Road
North Wales, PA 19454
Tel: 215-699-7031 Fax: 215-699-3836

Contact the factory for parts information and ordering.
Visit us on the web at www.wescomfg.com

Unpacking

When unpacking the Wesco Product, check carefully for shipping damage and missing parts. If damage has occurred or any parts are missing, file a claim with the delivering carrier within 24 hours and notify the dealer from whom the unit was purchased.

Warranty Repairs

If the unit does not work properly, contact your dealer or the factory (215-699-7031) for units less than 90 days old.

Non-Warranty Service

If units are older than 90 days, repairs can be made easily on site with factory supplied parts.

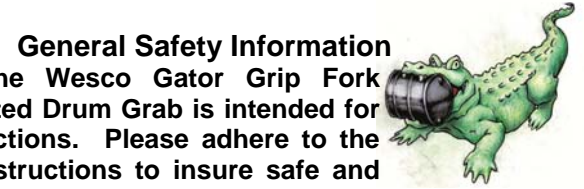
NOTE: Do not send units to the factory for service without first obtaining a "Return Merchandise Authorization" (RMA) number from the customer service department. We will not be responsible for merchandise returned without proper authorization.



Figure 1



Figure 2



General Safety Information

Warning: The Wesco Gator Grip Fork Truck Mounted Drum Grab is intended for specific functions. Please adhere to the following instructions to insure safe and proper use.

- (1) Maximum capacity – 1000 lbs. (454 kg) per drum
- (2) Do not exceed rated capacity. Injury to persons or property may result from overloading and misuse.
- (3) Follow all OSHA requirements, particularly Section 1910.178a (5) regarding powered industrial trucks.
- (4) Adhere to all local codes regarding drum use and storage.
- (5) Before using this product, contact manufacturer of your industrial truck and obtain their written approval that the truck has the capacity to be used with this attachment.
- (6) DO NOT use to lift personnel or carry loads over people.
- (7) DO NOT leave with a load suspended in air unattended.
- (8) DO NOT remove or obscure capacity/warning labels.
- (9) Keep hands clear of drum clamping head.
- (10) Clamping head must be in full contact with drum rim prior to lifting.
- (11) Be certain rim of fiber or plastic drum is able to withstand the stress of drum lifting procedure.
- (12) Transport at lowest practical height possible.
- (13) Use extreme care when traveling on uneven floors.
- (14) DO NOT modify this product in any way.
- (15) Periodically inspect for damage and remove any damaged or malfunctioning unit from service immediately until repairs have been made.

LIMITED WARRANTY

WESCO INDUSTRIAL PRODUCTS (WESCO) warrants to the purchaser of this product for a period of ninety (90) days from the date of purchase that this product shall be free of defects in material and/or workmanship, as follows:

1. WESCO will supply, at no charge, new or rebuilt replacements for any part that fails through a defect in material and/or workmanship during the warranty period. To obtain warranty service, you must deliver the product prepaid, to the WESCO factory.

2. This warranty does not cover any product or product part which has been subject to accident, misuse, abuse or negligence. WESCO shall only be liable under this warranty if the product is used the manner intended by the manufacturer as specified in the written instructions furnished with this product.

REPAIR OR REPLACEMENT AS PROVIDED UNDER THIS WARRANTY IS THE EXCLUSIVE REMEDY OF THE PURCHASER. ANY EXPRESS WARRANTY NOT PROVIDED IN THIS WARRANTY DOCUMENT, AND ANY REMEDY FOR BREACH OF CONTRACT THAT, BUT FOR THIS PROVISION, MIGHT ARISE BY IMPLICATION OR OPERATION OF LAW, IS HEREBY EXCLUDED AND DISCLAIMED. UNDER NO CIRCUMSTANCES SHALL WESCO BE LIABLE TO PURCHASER OR ANY OTHER PERSON FOR ANY INCIDENTAL OR CONSEQUENTIAL DAMAGES, WHETHER ARISING OUT OF BREACH OF WARRANTY, EXPRESS OR IMPLIED, A BREACH OF CONTRACT OR OTHERWISE. EXCEPT TO THE EXTENT PROHIBITED BY APPLICABLE LAW, ANY IMPLIED WARRANTY OF MERCHANTABILITY AND FITNESS FOR ANY PARTICULAR PURPOSE ARE EXPRESSLY LIMITED IN DURATION TO THE DURATION OF THIS LIMITED WARRANTY.

Some states do not allow the exclusion or limitation of incidental or consequential damages, or allow limitations on how long any implied warranty lasts, so the above limitations may not apply to you. This warranty gives you specific legal rights, and you may also have other rights which vary from state to state.

Gator Grip Fork Mounted Drum Grab With Auto Grip Lock EGG-1 & EGG-2 (Part # 240091 & 240092)

Assembly Procedure and Operating Instructions

ATTENTION: TO INSURE SAFE AND EASY USE OF WESCO GATOR GRIP FORK TRUCK MOUNTED DRUM GRAB, READ THESE INSTRUCTIONS BEFORE USING.

Single Fork Mounted Base Unit (240091)				Double Fork Mounted Base Unit (240092)			
Item	Part No.	Description	Qty.	Item	Part No.	Description	Qty.
1	054014	Base (Single)	1	1	054015	Base (Double)	1
2	052974	"T" Handle	2	2	052974	"T" Handle	2
3	055079	Gator Grip Assembly	1	3	055079	Gator Grip Assembly	2
4	055017	Slide Block	2	4	055017	Slide Block	4
5	055234	Adjustment Pin	1	5	055234	Adjustment Pin	2
6	108944	Circle Cotter Pin	1	6	108944	Circle Cotter Pin	2

Operating Instructions

- (1) Place unit on floor or flat surface easily accessible to fork truck. Be sure that "T" handles are sufficiently unthreaded to allow forks to enter pockets.
- (2) Carefully slide forks (do not use fork extensions) into drum grab's fork pockets as far as possible.
- (3) Hand tighten "T" handles to secure unit to forks (hand tool may be used but not necessary). Recheck bolts periodically during use for tightness.
- (4) Set angle of forks or carriage plate so that units are vertical or inclined slightly forward.
- (5) For lifting (2) drums, set drums approximately 23 inches apart.
- (6) Move unit towards drum until the Gator Grip firmly contacts the side wall of the drum. Note: three sets of holes in the top of the carriage allow for height adjustments of the Gator Grip to grab a drum.
- (7) Raise unit until the Gator Grip hook extends and clamps the chime of drum.
- (8) Move the drum(s) to the desired location and lower them to the floor. The Gator Grip will automatically release when the drums are on the floor.

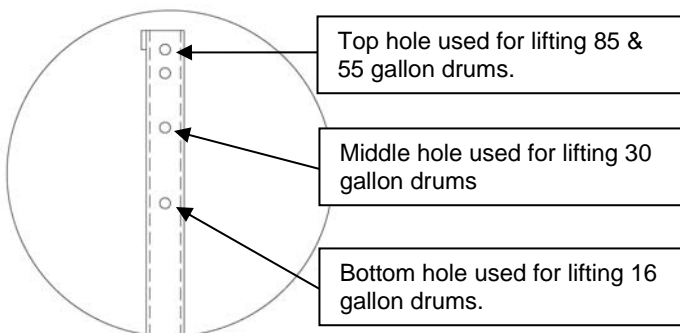


Figure 3 (Gator Grip Mount Points)

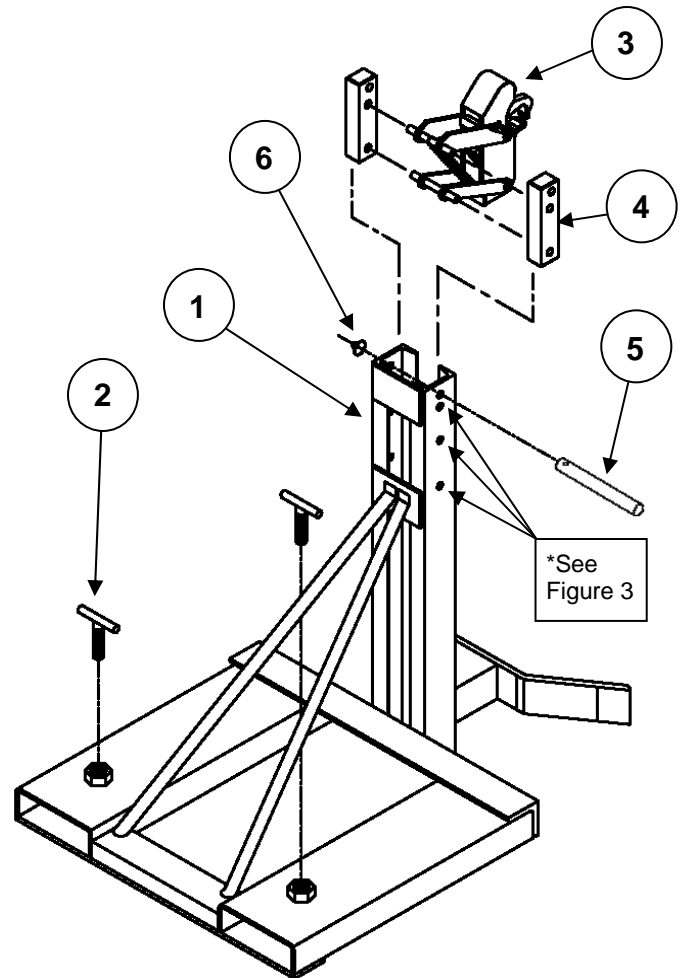


Figure 4 (Single Fork Mounted Base Unit)

LIMITED WARRANTY

WESCO INDUSTRIAL PRODUCTS (WESCO) warrants to the purchaser of this product for a period of ninety (90) days from the date of purchase that this product shall be free of defects in material and/or workmanship, as follows:

1. WESCO will supply, at no charge, new or rebuilt replacements for any part that fails through a defect in material and/or workmanship during the warranty period. To obtain warranty service, you must deliver the product prepaid, to the WESCO factory.

2. This warranty does not cover any product or product part which has been subject to accident, misuse, abuse or negligence. WESCO shall only be liable under this warranty if the product is used the manner intended by the manufacturer as specified in the written instructions furnished with this product.

REPAIR OR REPLACEMENT AS PROVIDED UNDER THIS WARRANTY IS THE EXCLUSIVE REMEDY OF THE PURCHASER. ANY EXPRESS WARRANTY NOT PROVIDED IN THIS WARRANTY DOCUMENT, AND ANY REMEDY FOR BREACH OF CONTRACT THAT, BUT FOR THIS PROVISION, MIGHT ARISE BY IMPLICATION OR OPERATION OF LAW, IS HEREBY EXCLUDED AND DISCLAIMED. UNDER NO CIRCUMSTANCES SHALL WESCO BE LIABLE TO PURCHASER OR ANY OTHER PERSON FOR ANY INCIDENTAL OR CONSEQUENTIAL DAMAGES, WHETHER ARISING OUT OF BREACH OF WARRANTY, EXPRESS OR IMPLIED, A BREACH OF CONTRACT OR OTHERWISE. EXCEPT TO THE EXTENT PROHIBITED BY APPLICABLE LAW, ANY IMPLIED WARRANTY OF MERCHANTABILITY AND FITNESS FOR ANY PARTICULAR PURPOSE ARE EXPRESSLY LIMITED IN DURATION TO THE DURATION OF THIS LIMITED WARRANTY.

Some states do not allow the exclusion or limitation of incidental or consequential damages, or allow limitations on how long any implied warranty lasts, so the above limitations may not apply to you. This warranty gives you specific legal rights, and you may also have other rights which vary from state to state.