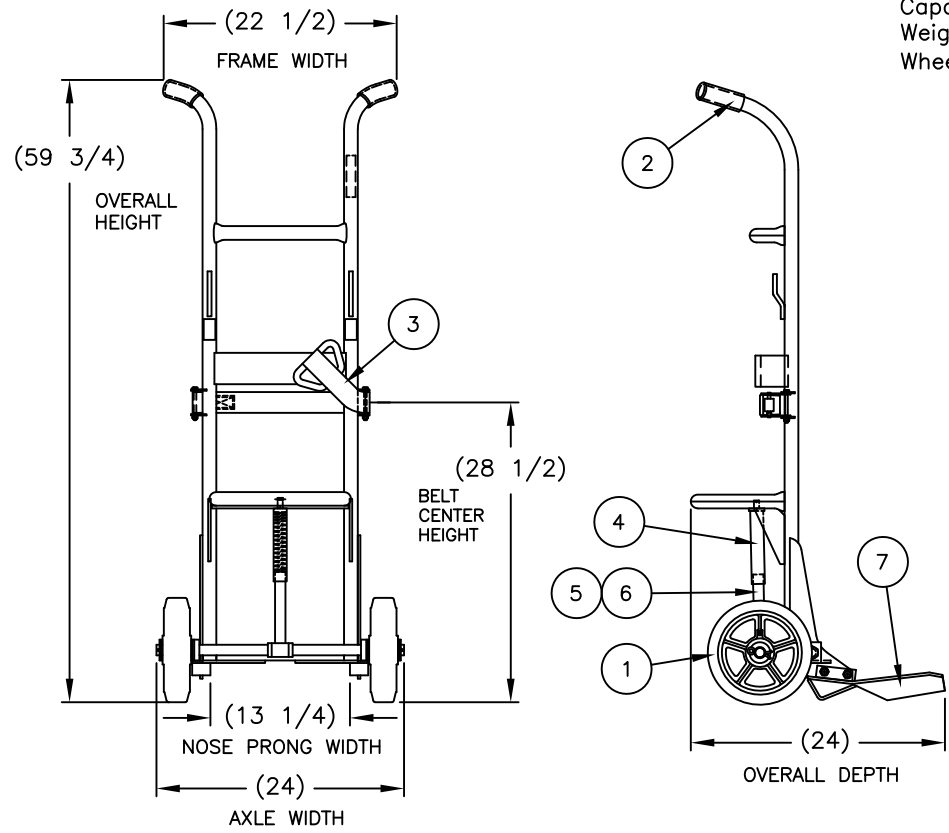


REPLACEMENT PARTS LIST

P/N **240082**  
 Model: **45BT**  
 Capacity: **1,000 lbs**  
 Weight: **82 lbs**  
 Wheel: **10" x 2-1/2" Moldon Rubber**

1	150596	WHEEL: "BT-1" 10 X 2.5"	2
	108208	WASHER: FLAT 1" SAE	4
	108218	COTTER PIN 3/16 X 1.5"	2
2	108433	HANDGRIP: YELLOW 1-1/4"	2
3	150304	STRAP: W/HANDLE, BLUE	1
	108900	SCR: HEX HD 1/4-20 x 3	2
	108929	NUT: LOCK 1/4-20	2
4	051346	UPPER SPRING HOUSING	1
5	051347	ASS'Y: FLOATING AXLE	1
6	051356	SET: HARDWARE, AXLE	1
7	240115	SET: NOSE PAD	1
8	-	BOX	



DRUM TRUCK Features:

- Industrial strength heavy duty 1" structural pipe frames.
- All joints double welded.
- High quality cast iron center moldon rubber wheel with 1" (ID) roller bearings.
- Polyolefin wheel is cost competitive and resistant to most environments that may damage rubber wheels.
- All trucks can be stored standing upright.
- Engineered to handle 55 gallon steel drum.
- capacity: 1,000 lbs.

45BT/45BTW Features:

- Long belt allows truck to handle all poly drums.
- Recommended primarily for handling of overpacks.
- Replaceable "feet" and belt.
- Floating axle reduces effort required to break over and balance load.
- 24" depth.
- With wheels resting on floor, 28.5" to center of belt.

PRINT ISSUED

NOV. 10, 2006

WESCO MANUFACTURING  
ENGINEERING DEPARTMENT

R  
W  
S  
APP  
10-22-12  
B  
REV.  
B  
UPD  
EDN & DATE  
REVISIONS

WESCO INDUSTRIAL PRODUCTS INC.  
NORTH WALES PENNA. 19454

PART NAME		DRAWN: LDU 8-9-00	
45BT DRUM TRUCKS		CHECKED:	
TOLERANCE UNLESS OTHERWISE SPECIFIED		APP. ENGR.	
FRACTION	3 PLACE DECIMAL	2 PLACE DECIMAL	SCALE: 1" = 12"
± 1/64	± .005	± .01	
ANGULAR ± 1-1/2"	SHEET 1	OF 1	B- 240082
BREAK ALL SHARP EDGES AND REMOVE ALL BURRS			REV. B