

SOLAR e POWER™

CUBE 1500

PLUS



User's Manual / Manual de Usuario / Guide d'Utilisation

We are constantly improving our products so specifications are subject to change without notice.
Visit our website for the latest product information

Estamos mejorando nuestros productos constantemente, por lo tanto, las especificaciones están sujetas a cambios sin previo aviso. Visite nuestro sitio web para obtener la información más reciente de los productos.

Nous améliorons constamment nos produits, alors les spécifications sont sujettes à changement sans préavis.
Visitez notre site Web, pour obtenir les dernières informations sur nos produits.



SOLAR e POWER™
CUBE 1500
PLUS

MOBILITY • RAPID SETUP • INSTANT POWER

CONTENTS

Introduction	5
Warnings, Cautions And Notes	5
Warnings—General	5
Major Features	6
Control Panel	7
Digital LED Voltmeter (Battery Status)	8
100Ah Gel/AGM Hybrid Battery	8
Battery Disconnect Switch	9
External Battery Terminals	9
Charging The Solar e Power Cube	10
Charging Methods	11
AC Charging Adapter	11
DC Charging Adapter	12
Charging With Solar Panels	13
Solar Panel Positioning	14
Output Power	15
Using the AC Outlet Power Receptacles	15
12V DC Accessory Outlets	16
External Battery Terminals	17
AC Operating Time Using Inverter	17
DC Operating Time	18
Jump Start Warnings	18
Jump Start Procedure With User-Supplied Jumper Cables	19
Connection To a Positive Grounded Vehicle.....	20
Vehicle Battery Boosting Using the DC Charging Adapter	20
Power Expansion Options	20

Adding Batteries to the System	20
External Battery Connection Procedure	21
Bypassing The Internal Battery	21
Adding Solar Panels	22
Using The Internal Solar Charge Controller	22
User-Supplied External Controller and Solar Panels	22
Maintenance	22
Cleaning	22
Fuse Replacement—DC Charging Adapter	23
Troubleshooting Guide	23
Recycling/Disposal	24
Specifications	24
Solar e Power Cube Shipping Specifications	24
12 Volt DC Battery and Outlets	24
Inverter	25
AC Charging Adapter	25
DC Charging Adapter	25
Solar Panels and Solar Charge Controller	25
WAGAN Corp. Limited Warranty	26

INTRODUCTION

Congratulations on your purchase of Wagan Tech®'s Solar e Power™ Cube 1500 Plus. As supplied, the Solar e Power Cube is a balanced electrical system that can power AC appliances and operate and charge a variety of communication and entertainment devices. In an emergency, it can boost a dead car battery. On the job site, it can power tools where no power lines or generators exist. At night, it can power a variety of light sources from DC spotlights to AC floodlights. At the campground it can power an RV Microwave oven, water pumps and entertainment equipment. The Solar e Power Cube is expandable: As your needs change, external batteries and solar panels can be added to the system to increase run time. This flexibility preserves your investment in Solar e Power Cube.

The internal battery, the heart of the system, is of high quality and with proper care and frequent charging will last for years. Wagan Tech, with proven technology DC to AC inverters, has crafted the internal power inverter for use with the Solar e Power Cube.

A supplied automatic AC to DC Charging Adapter efficiently charges and maintains the Solar e Power Cube's internal batteries.

Read and understand all warnings, cautions and notes included in this manual before using the Solar e Power Cube. Follow instructions provided by your vehicle and other device manufacturers intended to be used with the Solar e Power Cube.

Keep these instructions for future reference.

Fully Charge The Solar e Power Cube Before First Use.

WARNINGS, CAUTIONS AND NOTES

WARNINGS identify important safety concerns when operating this equipment. Failure to follow these warnings could result in personal injury or loss of life.

CAUTIONS identify conditions that can cause damage to equipment

NOTES identify operating details.

Warnings—General

Shock or fire hazard—The Solar e Power Cube generates the same potentially lethal AC power as a normal household wall outlet. Treat it with the same respect that you would any AC outlet.

Explosion Hazard—Do not use this product around flammable fumes or gasses, such as in the bilge of a gasoline powered boat, or near a propane tank. Do not use Solar e Power Cube in an enclosure containing automotive-type lead-acid batteries. These batteries, unlike the sealed battery pack in the Solar e Power Cube, vent explosive hydrogen gas, which can be ignited by sparks from electrical connections or disconnections.

When working on electrical equipment, always make sure that someone is nearby to help you in an emergency

Heavy Lifting—This unit weighs about 84 pounds (38 kg). Proper care should be taken when lifting the unit. Two people should lift this product using the two shape-molded handles located on the side of the Solar e Power Cube.

Limitations on Use—The Solar e Power Cube has not been tested for use with life support systems or other medical equipment or devices. The user assumes all risk if medical devices are used with this product.

Temperature Limits—Do not expose Solar e Power Cube to temperatures in excess of 104 °F (40 °C) or below 32 °F (0 °C)

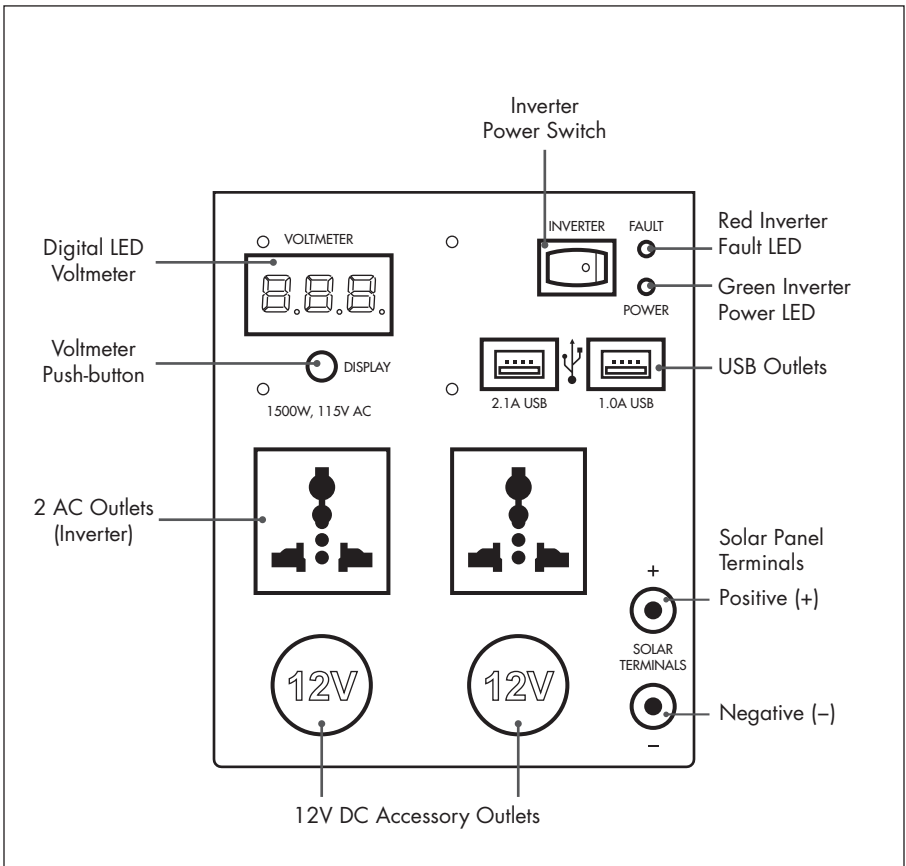
Unit is Not Waterproof—Do not expose this unit to rain or heavy moisture.

MAJOR FEATURES

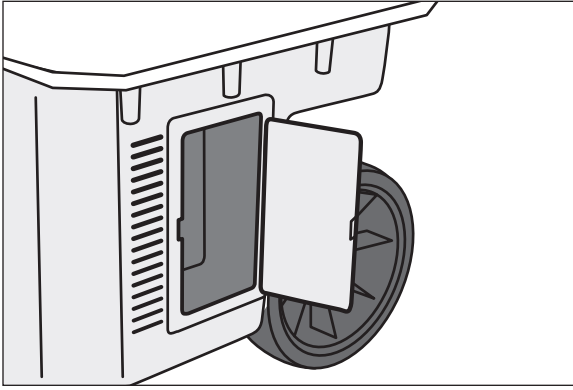
- 1500 watt Power Inverter (3600 watts peak)
- Two AC Outlets
- Two 12 volt Automotive Outlets for powering DC appliances (loads to 15 amps)
- Two USB Power Ports for charging/operating cell phones, PDAs, and MP3 players
- AC Charging Adapter with 5 amp output
- DC Charging Adapter (fused)
- Digital LED Voltmeter for checking battery status
- Battery Status Push-Button
- Battery Disconnect Switch
- Solar Panel Terminals to connect solar panels to the internal Solar Charge Controller
- Terminals to connect additional batteries
- Storage Hatch for chargers and cables
- Shape molded handles for easy lifting/wheels for positioning the Solar e Power Cube.
- 100Ah Gel/AGM hybrid battery for long life
- 80 Watts (5 × 16 watts) of solar panels for charging the internal battery.

CONTROL PANEL

The Control Panel contains a Digital LED Voltmeter for reading battery status, a Battery Status Push-Button to turn on the meter, Inverter ON/OFF switch, two AC Outlets, two USB and two 12 volt Accessory Outlets. Two LEDs indicate the operating condition of the Inverter. The green Power LED, when lit, indicates normal operation and that AC is present at the outlets. The red Fault LED indicates the Inverter is shut down because of any of the following reasons: over voltage, under voltage, over temperature or overload. Refer to the Troubleshooting section to resolve the problem. Two terminals allow additional solar panels to be connected to the internal Solar Charge Controller. The Battery Disconnect Switch is located to the left of the control panel. A Storage Hatch contains the DC and AC Charging Adapters.



Control Panel



Storage Hatch

Digital LED Voltmeter (Battery Status)

The Digital LED Voltmeter provides the user with the current charge state of the internal battery. It is the user's responsibility to periodically monitor the battery charge and to recharge the battery after each use. Recharge every three months even if the Solar e Power Cube is not used.

NOTE: Battery status (voltage) is accurate with Charging Adapters disconnected

1. Press and hold the Battery Status Push-Button for 3 seconds.
2. The Digital LED Voltmeter (Battery Status meter) will display the battery voltage.

= 13.5V DC	Battery is fully charged
\geq 12.6V DC	Battery is ready for use
\leq 12.0V DC	Battery needs some charging
< 10.5V DC	Battery is discharged, charge immediately

100Ah Gel/AGM Hybrid Battery

The Solar e Power Cube is equipped with the latest in battery technology. Supplied batteries combine the charging characteristics and compatibility of AGM valve regulated, sealed lead-acid batteries with the improved performance of gel batteries in low discharge rate and high ambient temperature applications.

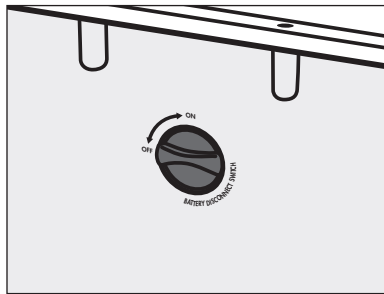
These batteries are electrically compatible with AGM batteries for expansion and also follow AGM charge characteristics. The gel component in them improves performance in low discharge applications. It is recommended that only AGM batteries be used for long term expansion or replacement because they are more compatible with portable applications and do not spill or leak.

CAUTION—BATTERY LIFE:

Repetitive quick deep discharging of any rechargeable battery will reduce the capacity and life of the battery. Frequent charging will preserve battery life.

Battery Disconnect Switch

A Battery Disconnect Switch allows the user to turn off the battery whenever the Solar e Power Cube is not in use and to be stored for a prolonged period of time. This helps preserve the battery's charge. Also, it is recommended to turn this switch off whenever transporting or moving the Solar e Power Cube to prevent any electrical hazard caused by excessive vibration. The Battery Disconnect Switch is located to the left of the control panel. For early models, the fan will operate when the Battery Disconnect Switch is closed (ON). For later models, fans operate when the Inverter is turned on.

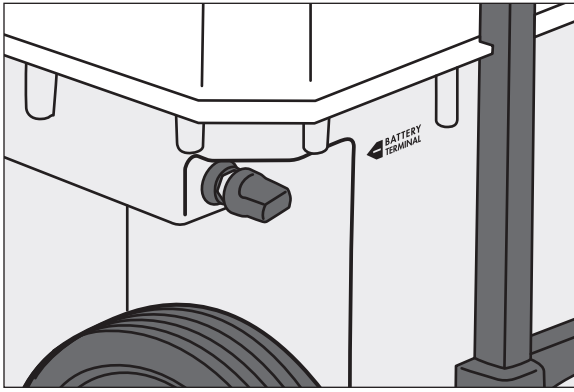


CAUTION—LIVE BATTERY TERMINALS:

When the Battery Disconnect Switch is closed (ON), the Battery Terminals are connected to the internal battery. Proper care must be taken to keep Battery Terminals covered (insulated) at all times when not in use.

External Battery Terminals

Red and black terminals labeled "Battery Terminal" are located above each wheel. Battery Terminals can be used for DC load applications greater than 15 amps, such as jump starting a small motor vehicle with user-supplied jumper cables. Care must be taken to ensure that the battery is not over-discharged. When using the Battery Terminals for high current output for a prolonged period of time, it is recommended that the Inverter switch be turned ON to operate the cooling fan. The Battery Disconnect Switch must be on to use the Battery Terminals. Battery Terminals can be used to connect additional (external) batteries to increase capacity of the battery bank. The illustration that follows shows the Negative battery terminal.



Negative (-) Battery Terminal

CHARGING THE SOLAR E POWER CUBE

Make Sure The Solar e Power Cube Is Fully Charged Before First Use.

It is important to charge the Solar e Power Cube for 24 hours before initial use. Recharge after each use. When storing for long periods of time, it is recommended to charge the battery once every 3 months. Failure to follow these instructions can damage the battery and reduce the battery's ability to hold a charge

CAUTION—RISK OF DAMAGE TO BATTERY:

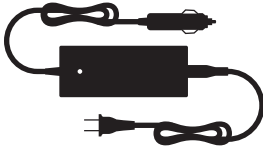
- All lead-acid batteries must be charged at least every 3 months, especially in warm environments. Leaving a battery in a discharged state, or not charging every 3 months risks permanent damage.
- Do not attempt to charge Solar e Power Cube battery if it is frozen. A frozen battery should be gradually warmed to 32 °F (0 °C) before charging.
- Caution: Don't undercharge the Solar e Power Cube battery.
- Repeated incomplete charging reduces battery life.
- During charging, if the battery status button is pressed, the voltage displayed will be that of the charger.
- To read battery voltage the user MUST first disconnect the charger from the unit.
- Press the battery status push button. If the reading shows less than 13.5 volts, then continue charging.
- If the battery reading is above 13.5 volts, allow the battery to rest for one hour.
- During rest period the battery will "settle" to its real voltage. After the rest period, take the battery status. This reading will display an accurate battery voltage.

Solar e Power™ Cube 1500 Plus by Wagan Tech®

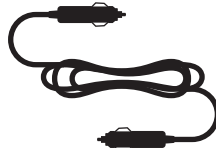
- Make sure the Solar e Power Cube is fully charged before first use.

CHARGING METHODS

Factory supplied equipment allows the Solar e Power Cube to be charged using:



AC Charging Adapter



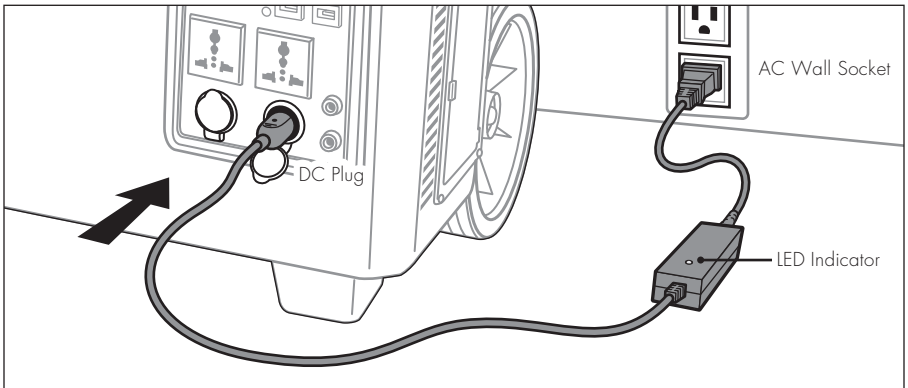
DC Charging Adapter
(Charging from your vehicle as you drive)



Solar Panels

AC Charging Adapter

The Solar e Power Cube is supplied with a fully automatic AC Charging Adapter. The indicator light on the top of the adapter shows red when the battery is charging and green when the battery has reached a full charge. The charger will continue to trickle charge the battery to maintain a full charge when the green light is on. The Charging Adapter has a wide range of input voltages and automatically adjusts to 115V or 220V depending on the AC source. Note that initial AC charge can take up to 48 hours. The AC Charging Adapter connects to the Solar e Power Cube through either DC Accessory Outlet located on the control panel.



Plug AC Charging Adapter into wall socket

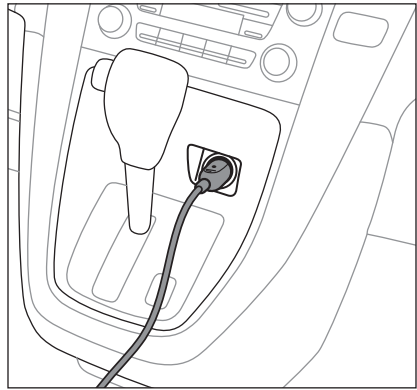
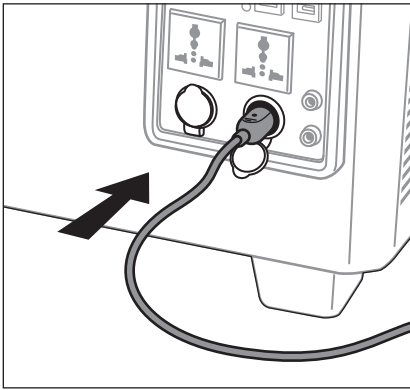
To charge the Solar e Power Cube using the AC Charging Adapter:

MAKE SURE ALL SOLAR e POWER CUBE SWITCHES ARE SET TO OFF.

1. Connect the AC Charging Adapter to an AC wall socket.
2. Insert the charger's DC plug into the Solar e Power Cube's DC Outlet.
3. Turn ON the Battery Disconnect Switch.
4. Charging is complete when the light on the AC charger turns green.
5. After charging the battery, disconnect the adapter from the AC wall socket first, then from the DC Outlet.
6. Turn OFF the Battery Disconnect Switch if the Solar e Power Cube is not in use.
7. Store the AC Charging Adapter in the Storage Hatch.

DC Charging Adapter

The DC Charging Adapter is a cord with a fused DC accessory plug at both ends. Both plugs are fused at 15 amps to prevent damage if there is an inadvertent short. Refer to the maintenance section to replace a fuse if necessary.



Plug DC Charging Adapter into vehicle DC accessory socket

To charge the Solar e Power Cube using the DC Charging Adapter:

ONLY USE THE DC CHARGING ADAPTER SUPPLIED WITH THIS UNIT. DO NOT CONTINUOUSLY CHARGE FOR MORE THAN 16 HOURS USING THE DC TO DC METHOD.

1. Note that the engine must be running while charging the Solar e Power Cube to avoid discharging the vehicle's battery.
2. Make sure all Solar e Power Cube switches are set to OFF.
3. Plug the DC Charging Adapter into the Solar e Power Cube's DC Outlet.
4. Plug the other end of the DC Charging Adapter into the vehicle's accessory socket (cigarette lighter socket).

5. Turn ON the Battery Disconnect Switch
6. Periodically remove one DC plug and check the Digital LED Voltmeter to determine when charging is complete (usually 13.5V is considered fully charged)
7. After charging the battery, disconnect the DC Charging Adapter from the vehicle accessory socket first, then from the Solar e Power Cube DC Outlet.
8. Turn OFF the Battery Disconnect Switch if Solar e Power Cube is not in use.
9. Store the DC Charging Adapter in the Storage Hatch.

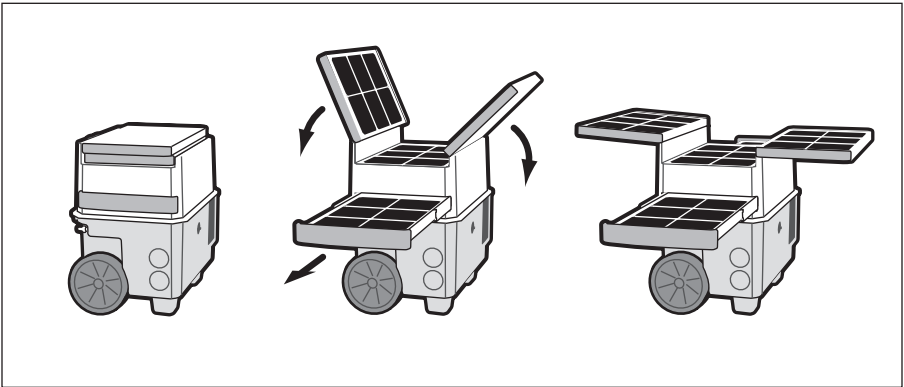
Do not leave the Solar e Power Cube connected to your vehicle's DC socket when the engine is turned off.

CAUTION—EQUIPMENT DAMAGE:

- While the Solar e Power Cube is being charged with the DC Charging Adapter from your vehicle, do not operate the Inverter with a load of over 100 watts. Further, do not plug in or operate any DC appliance from the Solar e Power Cube that requires more than 10 amps. Either action may blow a vehicle fuse.
- Always remove the DC Charging Adapter from the vehicle's DC socket before starting the vehicle.
- Disconnect the Solar e Power Cube from the vehicle's DC socket when the engine is turned off to prevent discharging the vehicle's battery.
- Always remove the DC Charging Adapter from the vehicle's DC socket before starting the vehicle.

Charging With Solar Panels

The Solar e Power Cube is supplied with five 16W solar panels (80 watts). The top two panels are hinged at the sides of the Solar e Power Cube and the lower two panels slide out from the center of the Solar e Power Cube. The panels must be fully opened/extended to allow maximum exposure to sunlight.



Extending Solar Panels

CAUTION—Keep any objects from resting on the solar panels. This will reduce panel exposure to sunlight and slow battery charging. Heavy objects can damage the solar panels.

Factory supplied solar panels have a combined rating of 80W, however, actual charging power may vary depending on environmental factors and sun intensity in your region. The approximate charging time for the Solar e Power Cube using the supplied solar panels is 18 hours of peak sunlight. Additional solar panels may be connected to reduce charging time. The internal Solar Charge Controller is rated at a maximum of 20A. Do not connect more than 300W of solar panels, including the 80W panels that are attached. Doing so will damage the Solar Charge Controller and void the warranty. Additional solar panels must have the same voltage ratings as factory supplied panels. (See panel specifications at the rear of this document).

CAUTION—SOLAR CHARGE CONTROLLER AMPERAGE LIMIT:

The Solar Charge Controller is rated at a maximum of 20A. Do not connect more than 300W of solar panels, including the 80W panels that are supplied. Doing so will damage the Solar Charge Controller and void the warranty.

Solar Panel Positioning

To ensure maximum power from the solar panels, position the panels perpendicular to the position of the sun. For best results, the solar panels should be in line with the expected path of the sun. Panel placement varies depending on your location. It is recommended that panel positions are checked and adjusted every 3 hours to ensure solar absorption is optimized.

CAUTION—EQUIPMENT DAMAGE:

When adding solar panels, make sure the solar panels are rated for 12V systems. If you are connecting multiple solar panels to the Solar Panel Terminals, make sure the combined voltage is no greater than 17V DC.

Do not connect more than 300W (total) of solar panels, including the 80W panels that are attached. Doing so will overload the Solar Charge Controller and prevent the controller from charging.

Make sure all air vents are not blocked while the Solar e Power Cube is in use. It is essential for maintaining optimum performance.

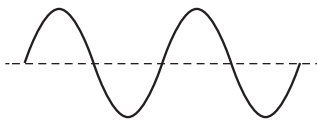
OUTPUT POWER

Using the AC Outlet Power Receptacles

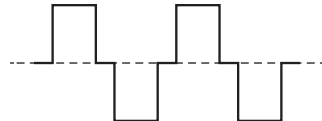
The Solar e Power Cube's Inverter can operate most AC appliances or a combination of appliances up to 1500 watts. The Inverter is capable of handling up to 1500 watts for an extended period of time when additional batteries are connected. However, additional batteries will not increase the Inverters wattage capability beyond 1500W. Operating time (run time) is dependant on the AC load (watts) and the charge and condition of the Solar e Power Cube's internal battery and any connected external batteries. Low wattage AC loads and a full battery charge result in longer operating times. Be sure to turn off or disconnect any AC appliance not in use.

Converting DC battery power to AC generates heat. To minimize heat buildup and possible thermal shutdown, remove obstacles blocking or hindering airflow between the intake and exhaust sides of the Solar e Power Cube. Ambient temperatures above 25 °C will reduce the Inverter's ability to cool effectively, thus affecting operating times.

This Inverter produces Modified Sine Wave (MSW) AC. The waveform differences can be seen below. Both waveforms have the same electrical energy, however some average reading AC voltmeters can not properly read MSW. Readings on a non-TRUE RMS meter will display up to 30 volts lower voltage than sine wave AC.



Pure Sine Wave



Modified Sine Wave

CAUTION—MODIFIED SINE WAVE:

- Some rechargeable devices are equipped with a separate AC charger. These devices are likely to operate properly with this Inverter. Rechargeable devices that have built-in chargers (see device owner's manual) may not operate properly with this type of Inverter.
- Some motorized devices may operate at excessively elevated temperature when used with this Inverter. During first use with this Inverter, check for excessive motor temperature. Abnormally elevated temperature of the motor is an indication that they should not be used with this Inverter.

- Do not use the following with modified sine wave inverters:
 - Small battery-operated appliances like flashlights, razors and night lights that can be plugged directly into an AC receptacle to recharge.
 - Some chargers for battery packs used in power hand tools. These affected chargers display a warning label stating that dangerous voltages are present at the battery terminals.

To use the AC Power Inverter:

1. Turn ON the Battery Disconnect Switch
2. Connect the AC appliance or appliances to either AC Outlet.
3. Turn the Power Inverter ON by positioning the switch to the “●” ON position.
4. When the Inverter Power Indicator LED is green, the Inverter is operating.
5. Turn on one AC appliance and observe the Power Indicator and FAULT LEDs.
 - If the LED remains green, proceed to turn on the second appliance.
 - If the Power Indicator LED continues to remain green, then both appliances are operating properly.
 - If the red FAULT LED light is lit, then remove all loads and restart the inverter
 - If the Power indicator LED is not lit, then reduce the AC load. If the Inverter is still not operating, refer to the Troubleshooting table at the end of this User's Manual.
6. After appliance use, turn OFF the Inverter switch
7. Remove AC appliance plug(s) from the AC Outlets on the Solar e Power Cube
8. Recharge the Solar e Power Cube as soon as convenient.

Note: The external cooling fan operates whenever the Inverter is on. The cooling fan helps maintain Solar e Power Cube internal temperature when products with high power requirements are in use.

12V DC Accessory Outlets

DC Accessory Outlets can power a DC load up to 15 amps each. Overloading a port will result in tripping a self-resetting circuit breaker. Removing the overload automatically restores power to the DC Accessory Outlet once the circuit breaker has cooled.

CAUTION—Do not insert an automotive cigarette lighter into the Outlet. There is no pop-out feature and excessive heat may damage the Outlet.

To use an Accessory Outlet:

1. Open the dust cover over the DC Accessory Outlet.
2. Insert the 12V DC accessory plug into the DC Outlet.
3. Turn ON the Battery Disconnect Switch
4. Operate the appliance as usual.

5. After use, disconnect the accessory plug from the DC Accessory Outlet and store the accessory.
6. Replace the DC Outlet's dust cover.
7. Turn OFF the Battery Disconnect Switch
8. Recharge the Solar e Power Cube as soon as convenient.

External Battery Terminals

The Solar e Power Cube Battery Terminals can be used to power DC loads greater than 15 amps. Proper care should be taken, however to prevent the load from over-discharging the Solar e Power Cube's battery. Jump starting a vehicle involves very high current that can cause damage to person and property. Extra care **MUST** be taken to prevent any accidents. Always make sure the Inverter switch on the front panel is turned OFF and all DC and USB devices are disconnected before attempting to connect to or jump start using the Battery Terminals. Engine cranking should be done in three-second bursts. If the engine does not start after seven attempts, discontinue and look for other problems.

AC OPERATING TIME USING INVERTER

Below are typical AC products that can be operated by the Solar e Power Cube with estimated operating times. The operating times will vary depending on the internal battery charge level, ambient temperature and the actual AC product being operated. The Solar e Power Cube will not continuously operate AC appliances rated at more than 1500 watts, such as air conditioners or motors over 12 amps. Operating times can be extended if external batteries or chargers are connected to the Solar e Power Cube.

AC Powered Products*	Watts	Estimated Run time ¹
Radio	4	250 hours
Compact Florescent Light	20	50 hours
Laptop Computer	65	13 hours
Ceiling Fan	100	9 hours 30 minutes
Desktop Computer with 15" monitor	200	4 hours 18 minutes
Sony® Playstation® 3 Video Game Console	200	4 hours 18 minutes
40" LCD TV	200	4 hours 18 minutes
½" Drill ²	750	45 minutes
Microwave Oven ²	1000	30 minutes
Coffee Maker	1500 (max output)	3 minutes

* Power usages listed are averages. Check your appliance rating for more accurate time estimates.

1. Operating times assume a fully charged battery and ambient temperature of 25° C. Actual results may vary based on model/brand used.

2. Assumes continuous operation

DC OPERATING TIME

Below are typical DC accessories that may be operated by the Solar e Power Cube. Operating time will vary depending on the battery charge level and the specific accessory being operated. Operating times can be extended if external batteries or chargers are connected to Solar e Power Cube.

DC Powered Products*	Watts	Estimated Run time ¹
Smartphone	6	160 hours
Tablet Computer	12	80 hours
Portable Cooler	30	30 hours
Air Compressor	100	9 hours, 30 minutes

* Power usages listed are averages. Check your appliance rating for more accurate time estimates.

1. Operating times assume a fully charged battery and ambient temperature of 25° C. Actual results may vary based on model/brand used.

JUMP START WARNINGS

Flooded lead-acid batteries can release explosive gasses. Failure to follow instructions may cause property damage, explosion hazard and/or personal injury.

- Follow the connection sequence outlined below, paying special attention to the polarity. The battery's positive terminal is typically identified as being larger in diameter than the negative terminal. In most vehicles, it has a red wire or red terminal cover connected to it. Do not proceed until you are sure you have identified the positive terminal.
- Do not attempt to jump start while wearing vinyl clothing. Static electricity sparks may be produced when vinyl clothing is rubbed.
- Remove any metallic jewelry, such as rings, bracelets, necklaces and watches while working with a lead-acid battery. A battery short-circuit can cause severe burns.
- Wear complete eye protection. Do not touch eyes while working near or with a battery. Battery acid can cause blindness and/or severe burns.
- Do not smoke while jump starting.
- Never charge or jump start a frozen battery.
- To prevent short circuits and arcing, never allow the metal ends/tips of clamps (positive and negative) to touch each other or connect to the same piece of metal.
- The Solar e Power Cube is for use with 12V systems only.
- Jump start a vehicle in a well ventilated area.

- Excessive engine cranking can damage the vehicle's starter motor. If the engine fails to start after seven attempts, discontinue the jump start procedure and look for other problems that may need to be corrected.

JUMP START PROCEDURE WITH USER-SUPPLIED JUMPER CABLES

User supplied jump start cables can be connected to the high power DC Battery Terminals for boosting a 12V engine starting battery. Jump start cables are available from most auto parts stores. Review the Jump Start Warnings above and follow the instructions in sequence for a Negative grounded system (typical on most vehicles)

1. Review the Jump Start Warnings above
2. Make sure the Solar e Power Cube is fully charged.
3. Turn off the vehicle ignition and all accessories.
4. Make sure the vehicle is in park/neutral and the emergency brake is applied.
5. Make sure the Battery Disconnect Switch is OFF, and the Inverter switch on the control panel is OFF. Remove any plugs connected to the Accessory Outlets or USB ports.
6. Position the Solar e Power Cube a convenient distance from the vehicle's battery and make sure the jump start cables will reach the vehicle battery without coming in contact with any moving parts of the engine.
7. Remove the covers from the Battery Terminals and place them in the Storage Hatch.
8. With user-supplied jump start cables, securely connect the RED (+) cable clamp to the red Battery Terminal on the Solar e Power Cube.
9. Connect the other "vehicle" end of the jump start cable's RED (+) cable clamp to the positive battery terminal.
10. Connect the BLACK (-) cable clamp to the BLACK (-) Battery Terminal on the Solar e Power Cube.
11. Connect the vehicle end of the jumper cable's BLACK (-) cable clamp to the vehicle's chassis or engine block. Do not connect the black negative clamp directly to the negative battery terminal.
12. Turn ON the Battery Disconnect Switch.
13. Allow a few minutes for the Solar e Power Cube battery to trickle charge the vehicle's battery.
14. Turn ON the vehicle ignition switch and crank the starter in three-second bursts until the engine starts.
15. If the vehicle fails to crank after seven tries, disconnect the jump start cables in reverse order of steps 8–11. Investigate for additional reasons the engine will not start.
16. After the vehicle starts while the cables are still connected, run the motor at fast idle for 5 minutes to fast charge the Solar e Power Cube's battery. After charging, remove the jumper cables in reverse of steps 8–11.
17. Turn OFF the Battery Disconnect Switch.

Connection To a Positive Grounded Vehicle

If the vehicle to be started has a positive grounded system (positive battery terminal connected to the chassis), substitute the following steps to the instructions above:

10. Connect the positive (+) red clamp to the vehicle chassis or a solid, non-moving metal vehicle component. DO NOT clamp directly to the positive battery terminal or a moving part.
11. Connect the negative (-) black clamp to the vehicle battery's negative terminal.

VEHICLE BATTERY BOOSTING USING THE DC CHARGING ADAPTER

CAUTION—Do not leave the DC Charging Adapter connected to the vehicle's lighter socket when starting the vehicle. Remove the DC Charging Adapter before starting the vehicle. This will prevent the vehicle's DC socket fuse from blowing.

In some cases when the vehicle battery has enough power to crank the engine, but not enough to start the vehicle, the DC Charging Adapter can be used to provide enough charge to the vehicle's battery to start. Make sure the Solar e Power Cube is fully charged. The following procedure outlines this process:

1. Make sure the Inverter switch is OFF and all appliances have been disconnected from the Accessory Outlets and USB ports.
2. Turn ON the Battery Disconnect Switch.
3. Plug one end of the DC Charging Adapter to your vehicle's cigarette lighter (accessory) socket. You may need to switch the ignition key to the "Accessory" position to supply power to the lighter socket. Be sure to turn off any lights or accessories such as radio or A/C fan that may be operating from the vehicle's battery.
4. Plug the other end into either of the two DC Outlets on the Solar e Power Cube control panel.
5. Wait 15 minutes while the Solar e Power Cube trickle charges you vehicle's battery.
6. Remove the DC Charging Adapter from the vehicle's cigarette lighter socket before attempting to start the engine.
7. If your vehicle engine cranks but does not start, investigate for other problems.
8. Store the DC Charging Adapter in the Storage Hatch.
9. If the engine does not crank, follow the jump start procedures in the previous section.
10. Charge the Solar e Power Cube as soon as possible.

POWER EXPANSION OPTIONS

Adding Batteries to the System

For extended operating time, additional batteries may be added in parallel using the Battery Terminals located above the wheels. Connect 12V AGM batteries into the system for long-term

use. Connecting flooded, GEL or lead–calcium batteries can, over time, result in uneven charge and discharge between the internal and external batteries, a battery damaging condition. You may temporarily connect flooded, GEL or lead–calcium batteries to the Solar e Power Cube. It is important that you only connect same voltage (12V) batteries in parallel. Reverse polarity connections can cause an explosion. Connecting external batteries to the Solar e Power Cube in series could cause damage to the system and void the warranty. It is recommended that adding batteries be performed by a qualified person. If in doubt, a user-provided voltmeter may be needed to verify voltage and polarity of external batteries to be connected to Solar e Power Cube.

CAUTION—EXTERNAL BATTERY:

- When adding batteries to the system for long-term use, you must use 12V AGM batteries. Using different construction or chemistry batteries can damage components.
- The supplied 5 amp rated AC charger has a total amp hour limit. External batteries may not exceed 240 amp hours. Total internal and external amp hour rating should not exceed 360 amp hours.
- It is recommended to use at least 6 AWG cable or larger to connect additional batteries to the Solar e Power Cube when drawing full power from the Inverter. Heavy cables reduce voltage loss in the cables. Typical automotive jumper cables are sufficient.
- Install 100A fuse in positive line.

External Battery Connection Procedure

1. Turn OFF the Battery Disconnect Switch.
2. Locate the Battery Terminals above the wheels.
3. Install 100A fuse in positive line.
4. Loosen the Battery Terminal covers and connect the batteries using either ring terminals or jumper cable clamps. Make sure the connection is secure.
5. With a voltmeter, verify that the battery voltage is correct at the terminals.
6. Turn ON the Inverter and observe the external battery voltage.
7. Turn ON the Solar e Power Cube Battery Disconnect Switch if batteries are connected.

CAUTION—BATTERY DISCHARGE:

With the Battery Disconnect Switch OFF, the Digital LED Voltmeter shows external battery voltage to the Inverter. It is important to monitor the external battery voltage to prevent battery over-discharge.

Bypassing The Internal Battery

The Solar e Power Cube's internal battery can be bypassed to use the Inverter or battery charging functions without using the internal battery. This feature can be used if the internal battery is not available to power AC or DC appliances. To bypass the internal battery:

1. Turn OFF the Battery Disconnect Switch.
2. Connect external batteries to the Battery Terminals.

3. Operate the Solar e Power Cube as normal depending on your needs.

Note: Do not exceed 80A (960W) current drain when bypassing internal battery.

ADDING SOLAR PANELS

There are two ways to add more panels to the Solar e Power Cube. One way is to add panels using the internal Solar Charge Controller observing the controller's wattage/amp limits. If the Solar e Power Cube has external batteries with capacities greater than 100 amp hours, adding additional solar panels with total wattage greater than 300 watts can be accomplished by using solar panels with an external controller.

Using The Internal Solar Charge Controller

Additional solar panels can be connected to the Solar e Power Cube using the Solar Panel Terminals. Adding solar panels can reduce battery charging time. The internal Solar Charge Controller is rated at a maximum of 20A with panel voltages between 16 to 22 volts. Do not connect more than 300W of solar panels, including the 80W panels that are supplied. Doing so will cause an overload on the Solar Charge Controller and cease the charging process.

User-Supplied External Controller and Solar Panels

Additional solar panels, if equipped with their own solar charge controller, can be connected via the Battery Terminals. However it is recommended that total power charging the internal batteries does not exceed 10 amps with the Battery Disconnect Switch ON (closed).

If external batteries, solar panels greater than 300 watts and an external solar charge controller are to be connected to the Solar e Power Cube via the Battery Terminals, the Battery Disconnect Switch must be OFF (open) to avoid overcharging the internal battery.

MAINTENANCE

Maintaining the Solar e Power Cube in good operating condition is relatively simple. Charge the battery until full as often as possible and keep all surfaces free of dust and dirt.

Cleaning

With the Solar e Power Cube disconnected from all electrical cords and the fans OFF, you may carefully vacuum the vents to remove dust.

The solar panels should be periodically cleaned during extended use and before storing. Check your panels weekly or following a storm to make sure no damage has occurred.

- Check for dirt buildup or bird droppings.
- Using a soft brush, remove dust or droppings from the panels.
- Wipe surface area of solar glass and frame with a soft damp cloth. Use mild dish soap if necessary.
- Dry the panels with a soft cloth. Solar panels are more efficient when they are clean.

- Check wiring or cables that are attached to the solar panels. Wire or cables may become loose from turbulent weather conditions.
- Store panels when not in use.

Fuse Replacement—DC Charging Adapter

The DC Charging Adapter comes equipped with one 15A quick blow fuse inside each plug end. To replace a fuse, simply unscrew the head of the plug and remove the fuse. If blown, replace with a 15 amp fuse of the same type and rating.

TROUBLESHOOTING GUIDE

Problem	Possible Cause	Solution
No AC output, Green LED is not lit, Voltmeter reads below 10 volts	Battery voltage too low	Reduce AC load and charge the Solar e Power Cube battery
	Excessive AC load	
No AC output, no displays lit	Battery Disconnect Switch is OFF	Turn ON Switch
No AC output, 12 volt outlets operate, USB ports operate. Inverter Switch is ON	Inverter is not working	Call Wagan Tech Support
12 volt DC outlets switch on and off	DC Outlet is overloaded	Reduce DC load.
Television interference	Picture breaking up (static)	Place the Solar e Power Cube as far as possible from the TV, the antenna and the coaxial cable
		TV station may be out of range
Static/noise interference in audio system	Sound system has weak alternating current shielding	Do not use Inverter with low quality audio AC filtering system
		Replace audio system with high quality noise filtering
Run time is less than expected	Solar e Power Cube is not fully charged	Charge using the AC Charging Adapter.
	Product power consumption is higher than expected	Check the power or “wattage” rating and compare with the tables in Battery Operating Times section of this manual
Charging light is OFF when AC Charging Adapter is connected	No AC power at wall socket	Ensure power is available at the wall socket

Problem	Possible Cause	Solution
DC Charging Adapter does not work	Blown fuse	Check for and replace blown fuse in plug.

RECYCLING/DISPOSAL

The Solar e Power Cube contains materials that are prohibited from being placed in landfills and require recycling. These include lead-acid batteries, solar panels and some components in the Inverter. Contact local authorities for disposal/recycling instructions.

SPECIFICATIONS

Specifications are subject to change without notice.

Solar e Power Cube Shipping Specifications

Dimensions (solar panels retracted/folded closed)	20.9 × 20.9 × 14.7 in. (53 × 53 × 37 cm)
Weight	116.6 lbs (53 kg)
Solar e Power Cube warranty—see warranty statement at rear of manual	2 Years

12 Volt DC Battery and Outlets

Internal battery type	Hybrid sealed lead-acid AGM with GEL
Internal battery voltage (nominal)	12V
Internal battery capacity	100 Ah
Maximum load current through 12 volt DC Accessory Outlet (continuous)	15A
DC Accessory Outlet circuit breaker rating (internal, automatic reset)	15A
USB max output current	2.0A

Solar e Power™ Cube 1500 Plus by Wagan Tech®

Inverter

Item No. 2547

Item No. 2547-7

AC output voltage (nominal)	115V	220V
AC output frequency	60 Hz ± 4 Hz	50 Hz ± 4 Hz
Maximum continuous AC output power	1500W (3 min. without extra batteries)	
Momentary AC surge power	3600W	
AC output waveform	Modified sine wave	
Battery drain with no load/outlets on	Less than 0.5A	
Operating/storage temperature	32–104 °F (0–40 °C)	
Low battery alarm trigger (nominal)	10.5 V ± 0.5V	
Low battery shutdown (nominal)	9.5 V ± 0.5V	

AC Charging Adapter

AC input voltage range	100-240V AC
AC input frequency	50–60 Hz
DC output voltage	For 12 volt batteries
DC output current charge current maximum	5.0 amps
AC Charging Adapter Indicator LED (red/green)	Red—Charging Green—Charging Complete/Float Charge
Output connector	DC plug (automotive)

DC Charging Adapter

DC cable length	100 cm (39 in.)
DC internal replaceable fuse	15A

Solar Panels and Solar Charge Controller

Active panel materials (5 × 16 watts)	Monocrystalline
Voltage output range	16–22 volts
Panel wattage maximum	80 watts
Panel efficiency	17%
Internal Solar Controller maximum panel wattage	300W
Controller max panel current	20A

WAGAN Corp. Limited Warranty

The WAGAN Corporation warranty is limited to products sold only in the United States.

Warranty Duration:

Product is warranted to the original purchaser for a period of two (2) years from the original purchase date, to be free of defects in material and workmanship. WAGAN Corporation disclaims any liability for consequential damages. In no event will WAGAN Corporation be responsible for any amount of damages beyond the amount paid for the product at retail.

Warranty Performance:

During the warranty period, a product with a defect will be replaced with a comparable model when the product is returned to WAGAN Corporation with an original store receipt. WAGAN Corporation will, at its discretion, replace or repair the defective part. The replacement product will be warranted for the balance of the original warranty period. This warranty does not extend to any units which have been used in violation of written instructions furnished.

Warranty Disclaimers:

This warranty is in lieu of all warranties expressed or implied and no representative or person is authorized to assume any other liability in connection with the sale of our products. There shall be no claims for defects or failure of performance or product failure under any theory of tort, contract or commercial law including, but not limited to negligence, gross negligence, strict liability, breach of warranty, and breach of contract.

Returns:

WAGAN Corporation is not responsible for any item(s) returned without an official Return Authorization number (RA#). Please contact our customer service team by phone or email to obtain an RA#. You can also visit our website and chat with our team during our normal business hours. For more details and instructions on how to process a warranty claim, please read the "Returns" section under the "Contact" page on our website. WAGAN Corporation is not responsible for any shipping charges incurred in returning the item(s) back to the company for repair or replacement.

Register your product online at <http://tinyurl.com/wagan-registration> to be added to our email list. You will receive previews on our upcoming products, promotions, and events.

©2015

SOLAR e POWER™
CUBE 1500
PLUS

MOVILIDAD • INSTALACIÓN RÁPIDA • POTENCIA INSTANTÁNEA

CONTENIDO

Introducción	31
Advertencias, Precauciones y Avisos.....	31
Advertencias—Generalidades	31
Características Principales	32
Panel de Control	33
Voltímetro digital LED (Estado de la batería)	34
Batería híbrida 100Ah Gel/AGM	34
Interruptor de desconexión de la batería.	35
Terminales de la batería externa.....	35
Carga del Solar e Power Cube.....	36
Métodos de Carga	37
Adaptador de carga de CA	37
Adaptador de carga de CC	38
Carga con los paneles solares.....	39
Ubicación de los paneles solares.....	40
Salida de Energía	41
Uso de los receptáculos de energía de salida de CA	41
Salidas accesorio de 12V de CC	43
Terminales de la batería externa.....	43
Tiempo Operativo de CA Usando el Inversor	43
Tiempo Operativo de CC	44
Advertencias Para el Arranque (Conexión Puente).....	45
Procedimiento de Arranque con Los Cables Para Conexión Puente Provistos Por el Usuario...45	
Conexión a un vehículo positivo a tierra	46
Cómo Impulsar la Batería del Vehículo Usando el Adaptador de Carga de CC.....	47
Opciones de Expansión de Energía.....	47

Cómo agregar baterías al sistema	47
Procedimiento de conexión de la batería externa	48
Cómo puentear la batería interna	48
Cómo Agregar Paneles Solares	49
Cómo usar el controlador de carga solar interno	49
Paneles solares y controlador externo provistos por el usuario.....	49
Mantenimiento	49
Limpieza	49
Reemplazo de fusibles: Adaptador de carga de CC.....	50
Guía de Solución de Problemas	50
Reciclado/Desecho.....	51
Especificaciones	51
Especificaciones de envío del Solar e Power Cube	51
Salidas y batería de CC de 12 Voltios	52
Inversor	52
Adaptador de carga de CA	52
Adaptador de carga de CC	53
Paneles solares y controlador de los paneles solares.....	53
Garantía Limitada de la Corporación Wagan.....	54

INTRODUCCIÓN

Felicidades ha comprado el Solar e Power™ Cube 1500 Plus de Wagan Tech®. Tal como se provee, el Solar e Power Cube es un sistema eléctrico balanceado que puede alimentar artefactos de CA y operar y cargar una gran variedad de dispositivos de comunicación y entretenimiento. En una emergencia, puede impulsar la batería muerta de un automóvil. En el lugar de trabajo, puede alimentar herramientas donde no hay extensiones eléctricas o generadores. Por la noche, puede alimentar una gran variedad de fuentes de iluminación desde focos de CC hasta reflectores de CA. En el camping, se puede alimentar un horno a microondas RV, bombas de agua y equipo de entretenimiento. El Solar e Power Cube es extensible: A medida que necesite cambio, se pueden agregar al sistema baterías externas y paneles solares para aumentar el tiempo de funcionamiento. Esta flexibilidad conserva su inversión en el Solar e Power Cube.

La batería interna, el corazón del sistema, es de alta calidad y con el cuidado adecuado y carga frecuente durará por años. Wagan Tech®, con tecnología probada en inversores de CC a CA, ha elaborado el inversor de energía interna para usar con el Solar e Power Cube.

Un adaptador de carga de CA a CC automático provisto carga y mantiene en forma eficiente las baterías internas del Solar e Power Cube.

Lea hasta comprender todas las advertencias, precauciones y avisos incluidos en este manual antes de usar el Solar e Power Cube. Siga las instrucciones provistas por los fabricantes de su vehículo y otros dispositivos que pretende usar con el Solar e Power Cube.

Conserve estas instrucciones para referencia en el futuro.

CARGAR COMPLETAMENTE EL Solar e Power Cube ANTES DE SU PRIMER USO.

ADVERTENCIAS, PRECAUCIONES Y AVISOS

Las ADVERTENCIAS identifican asuntos de seguridad importante cuando se opera el equipo. No respetar estas instrucciones podría resultar en lesiones personales o pérdida de la vida.

Las PRECAUCIONES identifican situaciones que pueden causar daños al equipo.

Los AVISOS identifican detalles operativos.

Advertencias—Generalidades

PELIGRO DE ELECTROCUCIÓN O FUEGO—El Solar e Power Cube genera la misma energía CA potencialmente letal como cualquier toma normal de pared doméstica. Trátela con el mismo respeto que tendría con cualquier toma de CA.

PELIGRO DE EXPLOSIÓN—No use este producto cerca de humos o gases inflamables, como en la sentina de un barco alimentado con gasolina o cerca de un tanque de propano. No use Solar e Power Cube en un recinto que contenga baterías del tipo para automotores de ácido de plomo. Estas baterías, a diferencia del paquete de batería sellado en el Solar e Power Cube, descargan gas de hidrógeno explosivo, que puede encenderse con chispas de las conexiones y desconexiones eléctricas.

Cuando trabaje con equipo eléctrico, siempre verifique que alguien esté cerca para ayudarlo en caso de emergencia.

CARGA PESADA—Esta unidad pesa aproximadamente 38 kg (84 libras). Se debe tener el cuidado adecuado cuando se levanta la unidad. Dos personas deben levantar este producto usando los dos mangos moldeados ubicados en el lateral del Solar e Power Cube.

LIMITACIONES DE USO—El Solar e Power Cube no ha sido probado para el uso con equipos de respiración asistida u otros dispositivos o equipos médicos. El usuario asume todo riesgo si utiliza dispositivos médicos con este producto.

LÍMITES DE TEMPERATURA—No exponer al Solar e Power Cube a temperaturas que excedan los 40 °C (104 °F) o debajo de los 0 °C (32 °F).

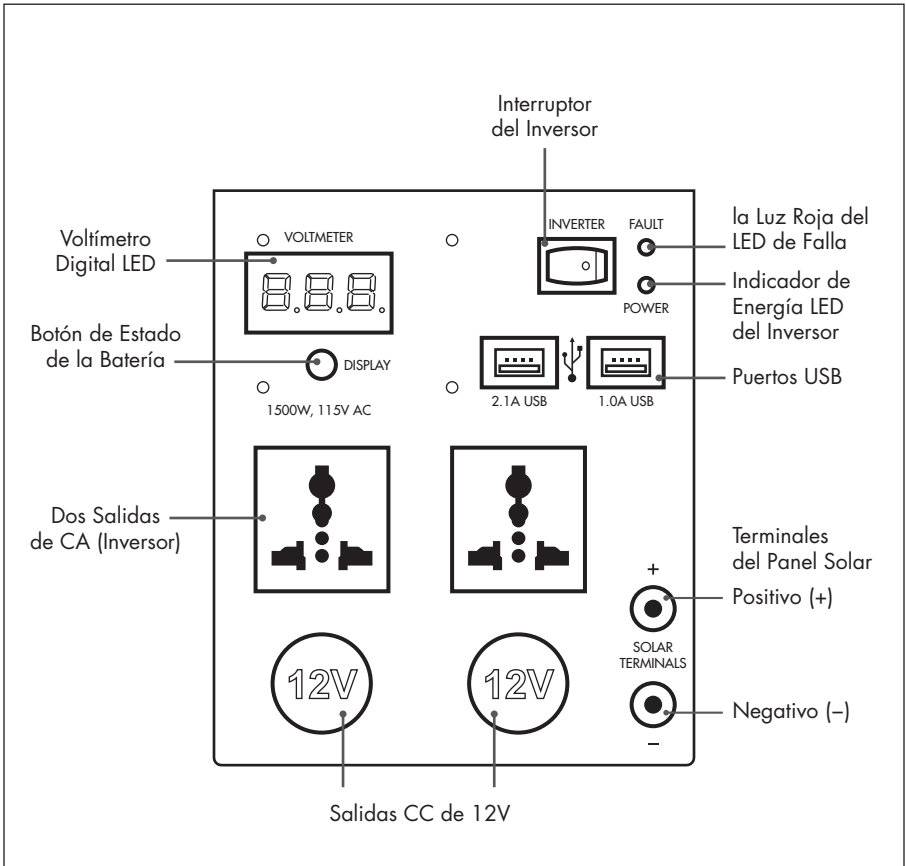
ESTA UNIDAD NO ES A PRUEBA DE AGUA—No exponer la unidad a la lluvia o humedad intensa.

CARACTERÍSTICAS PRINCIPALES

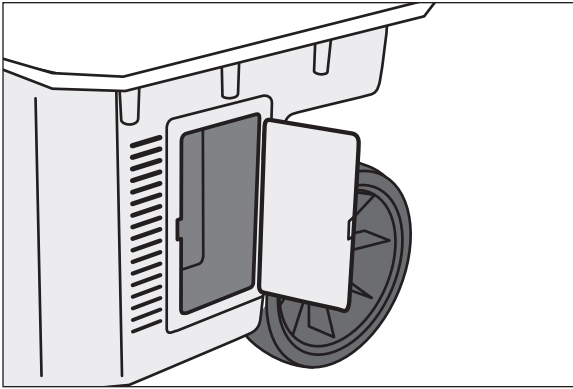
- Inversor eléctrico de 1500 Vatios (3600 vatios de potencia máxima).
- Dos salidas de CA.
- Dos salidas para automotor de 12 voltios para alimentar artefactos de CC (carga hasta 15 amperios).
- Dos puertos USB para cargar/operar teléfonos celulares, ordenadores portátiles y reproductores MP3.
- Adaptador de carga de CA con salida de 5 amperios.
- Adaptador de carga de CC (con fusibles).
- Voltímetro digital LED para controlar el estado de la batería.
- Botón de estado de la batería.
- Interruptor de desconexión de la batería.
- Terminales del panel solar para conectar los paneles solares al Controlador de carga solar interno.
- Terminales para conectar las baterías adicionales.
- Gaveta de almacenamiento para cargadores y cables.
- Mangos moldeados para levantarlo con facilidad, ruedas para ubicar el Cubo.
- Batería híbrida 100Ah Gel/AGM para larga duración.
- 80 Vatios (5 × 16 vatios) de paneles solares para cargar la batería interna.

PANEL DE CONTROL

El panel de control contiene un voltímetro digital LED para leer el estado de la batería, un botón para encender el medidor de estado de batería, un interruptor inversor ON/OFF, dos salidas de CA, dos puertos USB y dos salidas CC de 12V. Dos LEDs indican la condición operativa del inversor. El LED de energía verde, cuando enciende, indica la operación normal y que la CA está presente en las salidas. La luz roja del LED de Falla indica que el inversor está apagado por alguna de las siguientes razones: Alto voltaje, bajo voltaje, sobrecalentamiento o sobrecarga. Diríjase a la sección de Solución de Problemas para resolver el problema. Dos terminales permiten que se conecten paneles solares adicionales al Controlador de carga solar interno. El interruptor de desconexión de la batería está ubicado en la parte izquierda del panel de control. Una gaveta de almacenamiento contiene los adaptadores de carga de CC y CA.



Panel de control



Gaveta de almacenamiento

Voltímetro digital LED (Estado de la batería)

El voltímetro digital LED brinda al usuario el estado de carga de la corriente de la batería interna. Es responsabilidad de usuario controlar en forma periódica la carga de la batería y recargarla después de cada uso. Recárguela cada tres meses incluso si el Solar e Power Cube no se utilizó.

NOTA: El estado de la batería (voltaje) es exacto con los adaptadores de carga desconectados.

1. Presione y sostenga el botón del estado de la batería durante 3 segundos.
2. El voltímetro digital LED (medidor del estado de la batería) mostrará el voltaje de la batería.

= 13,5V CC	La batería está completa
≥ 12,6V CC	La batería está lista para usar
≤ 12,0V CC	La batería necesita carga
< 10,5V CC	La batería está descargada, cargar inmediatamente.

Batería híbrida 100Ah Gel/AGM

El Solar e Power Cube está equipado con lo último en tecnología para baterías. Las baterías suministradas combinan las características de carga y la compatibilidad de la válvula regulada AGM, baterías selladas de ácido de plomo con la mejora del rendimiento de las baterías de gel en la baja tasa de descarga y las aplicaciones de alta temperatura ambiente.

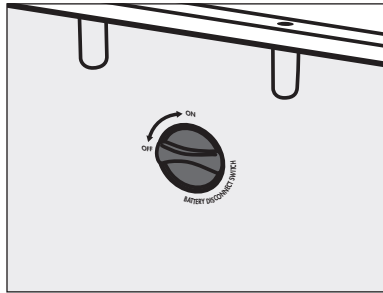
Estas baterías son eléctricamente compatibles con baterías AGM para expansión y también siguen las características de carga AGM. El componente de gel en ellas mejora el rendimiento a las aplicaciones de baja carga. Se recomienda solo el uso de baterías AGM para expansión a largo plazo o reemplazo porque son más compatibles con las aplicaciones portátiles y no pierden ni sufren derrames.

PRECAUCIÓN—DURACIÓN DE LA BATERÍA:

La descarga profunda, rápida y repetida de cualquier batería recargable reducirá la capacidad y la duración de la batería. La carga frecuente preservará la duración de la batería.

Interruptor de desconexión de la batería.

Un interruptor de desconexión de la batería permite que el usuario apague la batería siempre que el Solar e Power Cube no esté en uso y para almacenarse durante un período de tiempo prolongado. Esto ayuda a preservar la carga de la batería. También se recomienda apagar este interruptor siempre que se transporte o mueva el Solar e Power Cube para evitar cualquier peligro eléctrico causado por la vibración excesiva. El interruptor de desconexión de la batería está ubicado en la parte izquierda del panel de control. Para modelos anteriores, el ventilador operará cuando el interruptor de desconexión de la batería está cerrado (ON). Para modelos posteriores, los ventiladores operarán cuando el inversor está encendido.

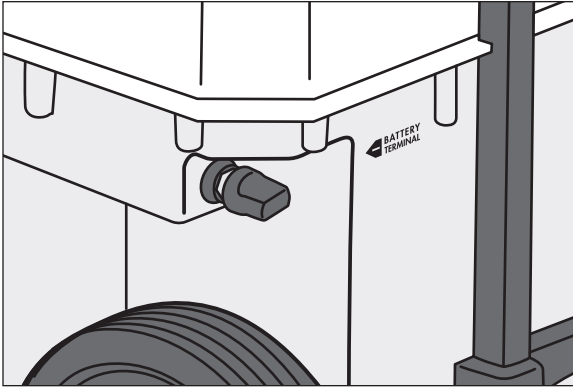


PRECAUCIÓN—TERMINALES PARA LA DURACIÓN DE LA BATERÍA:

Cuando el interruptor de desconexión de la batería está cerrado (ON), los terminales de la batería están conectados a la batería interna. Se debe tener el cuidado adecuado para mantener los terminales de la batería cubiertos (aislados) en todo momento cuando no se usa.

Terminales de la batería externa

Los terminales rojo y negro etiquetados "Terminal de la batería" están ubicados arriba de cada rueda. Los terminales de la batería pueden usarse para aplicaciones de carga de CC mayores a los 15 amperios, como los de encendido de un vehículo de motor pequeño con cables de conexión para encendido del usuario. Se debe tener cuidado para asegurar que la batería no se descargue excesivamente. Cuando use los terminales de la batería para salida de corriente alta durante un período de tiempo prolongado, se recomienda que el interruptor inversor se encienda para operar el ventilador refrigerante. El interruptor de desconexión de la batería debe estar encendido para usar los terminales de la batería. Los terminales de la batería pueden usarse para conectar baterías adicionales (externas) para aumentar la capacidad de la reserva de la batería. La ilustración que se encuentra a continuación muestra el terminal negativo de la batería.



Terminal negativo de la batería (-)

CARGA DEL SOLAR E POWER CUBE

VERIFIQUE QUE EL SOLAR E POWER CUBE SE HAYA CARGADO COMPLETAMENTE ANTES DE SU PRIMER USO.

Es importante cargar el Solar e Power Cube durante 24 horas antes de su uso inicial. Recargue antes de cada uso. Cuando lo almacene por largos períodos de tiempo, se recomienda cargar la batería una vez cada 3 meses. Si no se siguen estas instrucciones se puede dañar la batería y reducir la capacidad de la misma de retener la carga.

PRECAUCIÓN—RIESGO DE DAÑO DE LA BATERÍA:

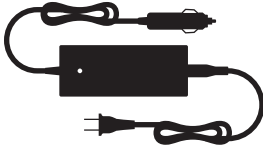
- Todas las baterías de ácido de plomo deben cargarse por lo menos cada 3 meses, especialmente en ambientes cálidos. Dejar la batería descargada o no cargarla cada 3 meses la expone a un daño permanente.
- No intente cargar la batería del Solar e Power Cube si está congelada. Una batería congelada debe calentarse en forma gradual hasta los 0 °C (32 °F) antes de cargarla.
- Precaución: no subfacturen la batería de el Cubo.
- La repetición de carga incompleta reduce vida útil de la batería.
- Durante la carga, si el estado de la batería se presiona el botón de voltaje visualizado será la del cargador.
- Para leer el voltaje de la batería el usuario debe primero desconectar el cargador de la unidad.
- Presione el botón de estado de batería. Si la lectura muestra menos de 13,5 voltios, continúe cargando.
- Si la batería lee mas de 13,5 voltios, permita que la batería descanse durante una hora.

Solar e Power™ Cube 1500 Plus de Wagan Tech®

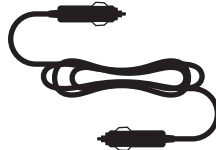
- Durante el período de resto la batería "colocará" a su verdadero voltaje. Después del período de resto, tome el estado de batería. Esta lectura mostrará un voltaje de batería exacto.
- Asegúrese que el Cubo de Poder e Solar este totalmente cargado antes del primer uso.

MÉTODOS DE CARGA

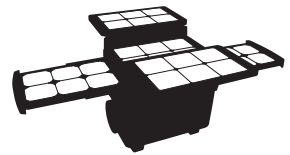
El equipo suministrado de fábrica permite que el Solar e Power Cube se cargue usando:



Adaptador de carga de CA



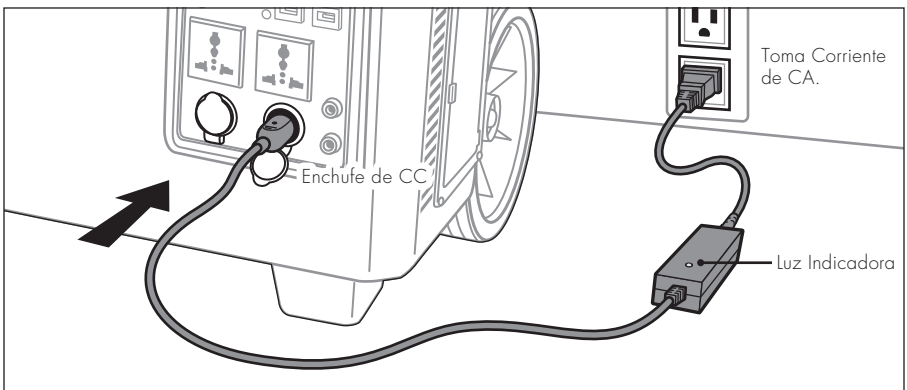
Adaptador de carga de CC
(Cargar desde su vehículo mientras conduce)



Paneles solares

Adaptador de carga de CA

El Solar e Power Cube se suministra con un adaptador de carga de CA completamente automático. La luz indicadora en la parte superior del adaptador se muestra en rojo cuando la batería se está cargando y verde cuando la batería ha completado la carga. El cargador continuará cargando la batería para mantener una carga completa cuando la luz verde esté encendida. El adaptador de carga tiene un amplio rango de voltajes de entrada y se ajusta en forma automática a los 115V o 220V según la fuente de CA. Tenga en cuenta que una carga inicial de CA puede llevar 48 horas. El adaptador de carga de CA se conecta al Solar e Power Cube por la salida accesorio de CC ubicada en el panel de control.



Enchufe el adaptador de carga de CA en la toma de corriente

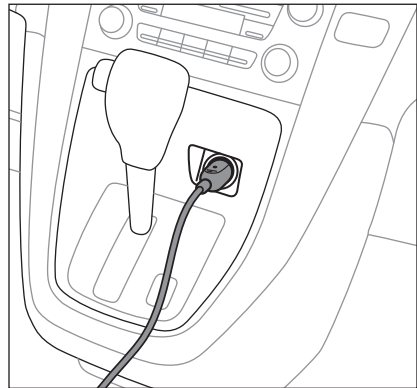
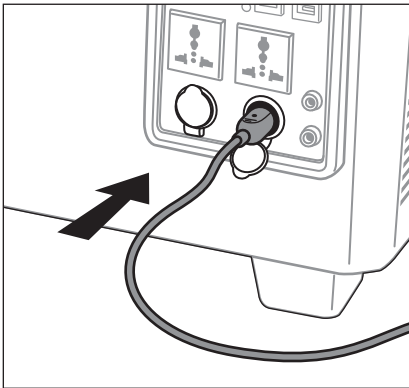
Para cargar el Solar e Power Cube usando el adaptador de carga de CA:

VERIFIQUE QUE TODOS LOS INTERRUPTORES DEL SOLAR E POWER CUBE ESTÁN APAGADOS.

1. Conecte el adaptador de carga de CA a un toma corriente de CA.
2. Inserte el enchufe de CC del cargador en la salida de CC del Solar e Power Cube.
3. Encienda (ON) el interruptor de desconexión de la batería.
4. La carga esta completa cuando la luz en el adaptador de carga se ilumina verde
5. Después de cargar la batería, desconectar el adaptador del toma de corriente de CA primero, luego de la salida de CC.
6. Apague (OFF) el interruptor de desconexión de la batería si no se usa el Solar e Power Cube.
7. Almacenar el adaptador de carga de CA en la gaveta de almacenamiento.

Adaptador de carga de CC

El adaptador de carga de CC es un cable con un enchufe accesorio de CC con fusibles en ambos extremos. Ambos enchufes están preparados para que salten los fusibles a los 15 amperios y evitar daños en el caso de un corto inadvertido. Diríjase a la sección de mantenimiento para ver el reemplazo de un fusible si es necesario.



Enchufe el adaptador de carga de CC en el toma accesorio de CC del vehículo

Para cargar el Solar e Power Cube usando el adaptador de carga de CC:

SOLO USE EL ADAPTADOR DE CARGA DE CC PROVISTO CON ESTA UNIDAD. NO CARGUE EN FORMA CONTINUA POR MÁS DE 16 HORAS USANDO EL MÉTODO CC A CC.

1. Tenga en cuenta que el motor debe estar funcionando cuando se carga el Solar e Power Cube para evitar la descarga de la batería del vehículo.
2. Verifique que todos los interruptores del Solar e Power Cube están apagados.

3. Inserte el adaptador de carga de CC en la salida de CC del Solar e Power Cube.
4. Enchufe el otro extremo del adaptador de carga CC en el toma accesorio del vehículo (toma del encendedor de cigarrillos).
5. Encienda (ON) el interruptor de desconexión de la batería.
6. En forma periódica quite el enchufe de CC y controle el voltímetro digital LED para determinar cuándo está completa la carga (generalmente 13,5V se considera una carga completa)
7. Después de cargar la batería, desconectar el adaptador del toma de CC accesorio del vehículo primero, luego de la salida de CC del Solar e Power Cube.
8. Apague (OFF) el interruptor de desconexión de la batería si no se usa el Solar e Power Cube.
9. Almacenar el adaptador de carga de CC en la gaveta de almacenamiento.

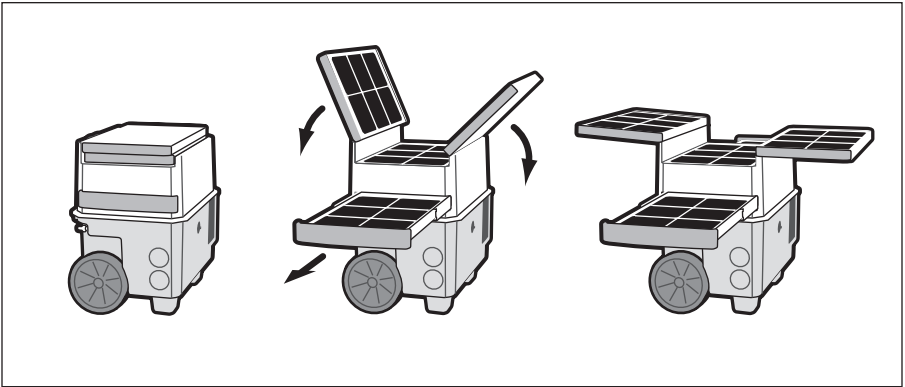
No deje el Solar e Power Cube conectado al toma de CC de su vehículo cuando el motor está apagado.

PRECAUCIÓN—DAÑO DEL EQUIPO:

- Cuando el Solar e Power Cube se está cargando con el adaptador de carga de CC desde su vehículo, no opere el inversor con una carga por sobre los 100 vatios. Además, no enchufe ni opere cualquier artefacto de CC desde el Solar e Power Cube ya que esto requiere más de 10 amperios. Cualquiera de estas acciones puede hacer saltar el fusible de un vehículo.
- Siempre quite el adaptador de carga de CC del toma de CC del vehículo antes de arrancar el vehículo.
- Desconecte el Solar e Power Cube del toma de CC del vehículo cuando el motor está apagado para evitar la descarga de la batería del vehículo.
- Siempre quite el adaptador de carga de CC del toma de CC del vehículo antes de arrancar el vehículo.

Carga con los paneles solares

El Solar e Power Cube es provisto con cinco paneles solares de 16 W (80 vatios). Los dos paneles superiores son articulados a los lados del Solar e Power Cube y los dos paneles inferiores se deslizan desde el centro del Solar e Power Cube. Los paneles deben extenderse/abrirse completamente para permitir la exposición máxima a la luz solar.



Cómo extender los paneles solares

PRECAUCIÓN—Evitar que se apoye cualquier objeto sobre los paneles solares. Esto reducirá la exposición del panel a la luz del sol y disminuirá la carga de la batería. Los objetos pesados pueden dañar los paneles solares.

Los paneles solares suministrados de fábrica tienen una clasificación combinada de 80W, sin embargo, la carga de energía real puede variar según los factores del medio ambiente y la intensidad de la luz en su región. El tiempo aproximado de carga para el Solar e Power Cube usando los paneles de carga provistos es de 18 horas de luz solar pico. Se pueden conectar paneles solares adicionales para disminuir el tiempo de carga. El controlador de carga solar interno se calcula a un índice máximo de 20A. No conecte más de 300W de paneles solares, incluyendo los 80W de paneles que ya están sujetos. Al hacer esto dañará el controlador de carga solar y perderá la garantía. Los paneles solares adicionales deben tener los mismos índices de voltaje que los suministrados de fábrica. (Vea las especificaciones del panel en la parte posterior del documento).

PRECAUCIÓN—LÍMITE DE AMPERAJE DEL CONTROLADOR DE CARGA SOLAR:

El controlador de carga solar se calcula a un índice máximo de 20A. No conecte más de 300W de paneles solares, incluyendo los 80W de paneles que se suministran. Al hacer esto dañará el controlador de carga solar y perderá la garantía.

Ubicación de los paneles solares

Para asegurar la energía máxima de los paneles solares, ubique los paneles en posición perpendicular al sol. Para mejores resultados, los paneles solares deben estar alineados con el paso del sol esperado. La ubicación del panel varía según su ubicación. Se recomienda que las posiciones del panel se verifiquen y ajusten cada 3 horas para asegurar la absorción solar óptima.

PRECAUCIÓN — DAÑO DEL EQUIPO:

Cuando se agregan paneles solares, verifique que los paneles solares están clasificados para sistemas de 12 V. Si está conectando paneles solares múltiples a los terminales de paneles solares, verifique que el voltaje combinado no es mayor a los 17V de CC.

No conecte más de 300W de paneles solares (total), incluyendo los 80W de paneles que ya están sujetos. Al hacer esto sobrecargará el controlador de carga solar y evitará que se cargue.

Verifique que todas las ventilaciones no están bloqueadas mientras que se usa el Solar e Power Cube. Es esencial para mantener un rendimiento óptimo.

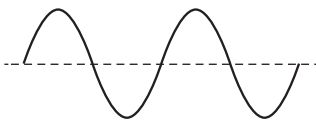
SALIDA DE ENERGÍA

Uso de los receptáculos de energía de salida de CA

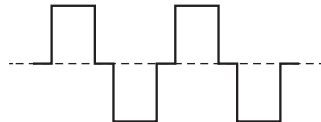
El inversor del Solar e Power Cube puede operar la mayoría de los artefactos de CA o una combinación de artefactos de hasta 1500 vatios. El inversor es capaz de manejar hasta 1500 vatios durante un período de tiempo prolongado cuando se conectan las baterías adicionales. Sin embargo, las baterías adicionales no aumentarán la capacidad de vataje del inversor más allá de los 1500 vatios. El tiempo operativo (tiempo de funcionamiento) depende de la carga de CA (vatios) y la carga y condición la batería interna del Solar e Power Cube y cualquier batería externa conectada. Las cargas de CA de bajo vataje y una carga de batería completa dan como resultado tiempos operativos más largos. Asegúrese de haber apagado o desconectado cualquier artefacto de CA que no se encuentre en uso.

Convertir la energía de la batería de CC a CA genera calor. Para minimizar el calor generado y un posible cortocircuito térmico, quitar los obstáculos que bloquean o impiden el flujo de aire entre los lados de ingreso y salida del cubo. Las temperaturas ambiente superiores a los 25 °C reducirán la capacidad del inversor de refrigerar en forma efectiva, afectando además los tiempos operativos.

Este inversor produce Ondas Sinusoides Modificadas de CA (MSW, por su sigla en inglés). Las diferencias en las forma de onda se pueden ver a continuación. Ambas formas de onda tienen la misma energía eléctrica, sin embargo algunos voltímetros de CA de lectura promedio no pueden leer las MSW correctamente. Las lecturas de un medidor para RMS no verdaderas mostrarán hasta 30 voltios de voltaje más bajo que una onda sinusoides de CA.



Onda sinusoides pura



Onda sinusoides modificada

PRECAUCIÓN—ONDA SINUSOIDE MODIFICADA:

- Algunos dispositivos recargables están equipados con un cargador de CA separado. Estos dispositivos también pueden funcionar correctamente con este inversor. Los dispositivos recargables que tienen cargadores incorporados (vea el manual del dispositivo) no pueden operar correctamente con este tipo de inversor.
- Algunos dispositivos motorizados pueden operar a una temperatura elevada excesiva cuando se usan con este inversor. Durante el primer uso con este inversor, controle la temperatura excesiva del motor. La temperatura elevada en forma anormal del motor es un indicio de que no se debe usar con este inversor.
- No use los siguientes elementos con inversores de onda sinusoidal modificada:
 - Artefactos pequeños operados a batería como linternas, afeitadoras y luces nocturnas que pueden enchufarse directamente en un receptáculo de CA para recargar.
 - Algunos cargadores para paquetes de batería que se usan para alimentar herramientas manuales. Estos cargadores afectados muestran una etiqueta de advertencia que establece la presencia de voltajes peligrosos en los terminales de la batería.

Para usar el inversor de energía de CA:

1. Encienda (ON) el interruptor de desconexión de la batería.
2. Conecte el artefacto/s de CA a cualquiera de las salidas de CA.
3. Encienda el inversor de energía ubicando el interruptor en la posición “●” ON.
4. Cuando el indicador de energía LED del inversor está en verde, el inversor está operando.
5. Encienda un artefacto de CA y observe el indicador de energía y los LEDs de falla.
 - Si el LED sigue en verde, proceda a encender el segundo artefacto.
 - Si el LED indicador de energía sigue en verde, entonces ambos aparatos están funcionando correctamente.
 - Si se enciende la luz roja del LED de falla, entonces quite todas las cargas y reinicie el inversor.
 - Si el LED indicador de energía no se enciende, entonces reduzca la carga de CA. Si el inversor no funciona todavía, diríjase a la lista de Solución de problemas al final de este Manual del usuario.
6. Después de usar el artefacto, apague el interruptor del inversor.
7. Quite el/los enchufe(s) del artefacto de CA de las salidas de CA en el Solar e Power Cube.
8. Recargue el Solar e Power Cube tan pronto como le sea conveniente.

Nota: El ventilador de refrigeración externa opera siempre que el inversor está encendido. El ventilador refrigerante mantiene la temperatura interna del Solar e Power Cube cuando se usan productos con requerimientos eléctricos elevados.

Salidas accesorio de 12V de CC

Las salidas accesorio de CC pueden alimentar una carga de CC de hasta 15 amperios cada una. La sobrecarga de un puerto hará que se dispare un disyuntor de auto reinicio. Quitar la sobrecarga restaura en forma automática la energía a la salida accesorio de CC una vez que el disyuntor se ha enfriado.

PRECAUCIÓN—No inserte un encendedor de cigarrillos para automóvil en la salida. No tiene la función que lo expulse y el calor excesivo puede dañar la salida.

Para usar una salida accesorio:

1. Abrir la cubierta para polvo sobre la salida accesorio de CC.
2. Inserte el enchufe accesorio de CC en la salida de CC.
3. Encienda (ON) el interruptor de desconexión de la batería.
4. Opere el artefacto como es habitual.
5. Después del uso, desconecte el enchufe accesorio de la salida accesorio de CC y almacene el accesorio.
6. Vuelva a colocar la cubierta para polvo de la salida de CC.
7. Apague (OFF) el interruptor de desconexión de la batería.
8. Recargue el Solar e Power Cube tan pronto como le sea conveniente.

Terminales de la batería externa

Los terminales de la batería del Solar e Power Cube pueden usarse para alimentar cargas de CC superiores a los 15 amperios. Se debe tener especial cuidado, sin embargo para evitar que la carga descargue excesivamente la batería del Solar e Power Cube. Hacer arrancar un vehículo involucra una corriente muy alta que puede causar daños a las personas y a la propiedad. Se DEBE tener un cuidado extra para evitar accidentes. Siempre debe verificar que el interruptor del inversor en el panel delantero se encuentra apagado y que todos los dispositivos de CC y USB están desconectados antes de intentar conectar o intentar el arranque usando los terminales de la batería. El arranque del motor se debe hacer con un estallido de tres segundos. Si el motor no arranca después de siete intentos, deje de hacerlo y busque otros motivos de falla.

TIEMPO OPERATIVO DE CA USANDO EL INVERSOR

A continuación hay productos de CA típicos que pueden operarse con el Solar e Power Cube con el tiempo operativo estimado para cada uno. El tiempo operativo puede variar de acuerdo al nivel de carga de la batería interna, la temperatura ambiente y el producto de CA que se está operando en ese momento. El Solar e Power Cube no operará en forma continua artefactos de CA con un índice nominal de más de 1500 vatios, como los acondicionadores de aire o motores de más de 12 amperios. Los tiempos operativos se pueden extender si las baterías externas o los cargadores están conectados al Solar e Power Cube.

Productos Alimentados con CA*	Vatios	Tiempo de Funcionamiento Estimado ¹
Radio	4	250 horas
Luz fluorescente compacta	20	50 horas
Computador portátil	65	13 horas
Ventilador del techo	100	9 horas 30 minutos
Computador con monitor de 15"	200	4 horas 18 minutos
Consola de Videojuegos Sony® PlayStation® 3	200	4 horas 18 minutos
TV LCD de 40"	200	4 horas 18 minutos
Taladro de ½" ²	750	45 minutos
Microondas ²	1000	30 minutos
Cafetera	1500 (salida máxima)	3 minutos

* Los usos de energía de la lista son usos promedio. Controle su el índice nominal de su artefacto para calcular tiempos más exactos.

1. Estos tiempos operativos se calculan en base a una batería de carga completa y una temperatura ambiente de 25° C. Los resultados reales pueden variar de acuerdo al modelo y la marca que se utilice.
2. Se supone un funcionamiento continuo.

TIEMPO OPERATIVO DE CC

A continuación se enumeran accesorios de CC típicos que pueden operarse con el Solar e Power Cube. El tiempo operativo puede variar de acuerdo al nivel de carga de la batería interna y al accesorio específico que se está operando. Los tiempos operativos se pueden extender si las baterías externas o los cargadores están conectados al Solar e Power Cube.

Productos Alimentados con CC*	Vatios	Tiempo de Funcionamiento Estimado ¹
Teléfono inteligente	6	160 horas
Tablet PC	12	80 horas
Enfriador portátil	30	30 horas
Compresor de aire	100	9 horas, 30 minutos

* Los usos de energía de la lista son usos promedio. Controle su el índice nominal de su artefacto para calcular tiempos más exactos.

1. Estos tiempos operativos se calculan en base a una batería de carga completa y una temperatura ambiente de 25° C. Los resultados reales pueden variar de acuerdo al modelo y la marca que se utilice.

ADVERTENCIAS PARA EL ARRANQUE (CONEXIÓN PUENTE)

Las baterías de ácido de plomo pueden liberar gases explosivos. No respetar las instrucciones puede causar daños en la propiedad peligro de explosión y/o lesiones personales.

- Siga la secuencia de conexión que se resume a continuación y preste especial atención a la polaridad. El terminal positivo de la batería está generalmente identificado por tener un diámetro más grande que el del terminal negativo. En la mayoría de los vehículos, tiene un cable rojo o una cubierta de terminal roja conectada al mismo. No proceda hasta que esté seguro de que ha identificado el terminal positivo.
- No intente el arranque si usa ropa vinílica. Se pueden producir chispas de electricidad estática con los roces de la ropa vinílica.
- Quítese toda la joyería metálica, como anillos, brazaletes, collares y relojes mientras trabaja con baterías de ácido de plomo. Un cortocircuito de la batería puede causar quemaduras graves.
- Utilice una protección para la vista completa. No se toque los ojos mientras trabaja cerca o con una batería. El ácido de la batería puede causar ceguera y/o quemaduras graves.
- No fume mientras realiza el arranque.
- Nunca cargue o arranque una batería congelada.
- Para evitar cortocircuitos y formación de arcos eléctricos, nunca permita que los extremos/puntas de las pinzas (positivo y negativo) se toquen entre sí o las conecte a la misma pieza metálica.
- El Solar e Power Cube es para usar solo con sistemas de 12V.
- Arranque el vehículo en un área bien ventilada.
- El arranque excesivo del vehículo puede dañar el arrancador del motor del vehículo. Si el motor no arranca después de siete intentos, deje el procedimiento de arranque y busque otros motivos de falla que se deban corregir.

PROCEDIMIENTO DE ARRANQUE CON LOS CABLES PARA CONEXIÓN PUENTE PROVISTOS POR EL USUARIO

Los cables para arranque del usuario pueden conectarse a los terminales de la batería de CC de alta potencia para impulsar una batería de arranque del motor de 12V. Los cables para arranque están disponibles en la mayoría de las tiendas de repuestos para automóviles. Revise las Advertencias para el arranque antes mencionadas y siga las instrucciones en la secuencia correcta para un sistema a tierra NEGATIVO (típico en la mayoría de los vehículos)

1. Revise las Advertencias para el arranque antes mencionadas.
2. Verifique que el Solar e Power Cube tiene la carga completa.
3. Apague el encendido del vehículo y todos los accesorios.
4. Verifique que el vehículo está estacionado/neutral y que se colocó el freno de emergencia (de mano).

5. Verifique que el interruptor de desconexión de la batería está apagado (OFF) y que el interruptor del inversor en el panel de control está apagado (OFF). Quite cualquier enchufe conectado a las salidas accesorio o los puertos USB.
6. Ubique el Solar e Power Cube a una distancia conveniente de la batería del vehículo y verifique que los cables de arranque alcanzan la batería del vehículo son tocar ninguna de las partes móviles del motor.
7. Quite las cubiertas de los terminales de la batería y ubíquelas en la gaveta de almacenamiento.
8. Con lo cables de arranque del usuario, conecte en forma segura la pinza del cable ROJO (+) al terminal de la batería rojo en el Solar e Power Cube.
9. Conecte el otro extremo del “vehículo” de la pinza del cable ROJO (+) del cable de arranque al terminal positivo de la batería.
10. Conecte la pinza del cable NEGRO (-) al terminal de la batería NEGRO (-) en el Solar e Power Cube.
11. Conecte el extremo del vehículo de la pinza del cable NEGRO (-) del cable de arranque al chasis del vehículo o al bloque del motor. No conecte la pinza negativa negra directamente al terminal negativo de la batería.
12. Encienda (ON) el interruptor de desconexión de la batería.
13. Deje pasar unos minutos para que la batería del Solar e Power Cube cargue a la batería del vehículo.
14. Encienda el interruptor de encendido del vehículo y ponga en contacto el arrancador con un estallido de unos tres segundos hasta que el motor arranque.
15. Si el vehículo no arranca después de siete intentos, desconecte los cables de arranque siguiendo los pasos 8–11 en forma inversa. Investigue otras razones por las que el motor no arranca.
16. Después de que el vehículo arrancó mientras que los cables todavía están conectados, haga funcionar el motor parado (sin marcha) con intensidad durante 5 minutos para cargar rápido la batería del Solar e Power Cube. Después de cargar, quite los cables de arranque siguiendo los pasos 8–11 en forma inversa.
17. Apague (OFF) el interruptor de desconexión de la batería.

Conexión a un vehículo positivo a tierra

Si el vehículo que se debe arrancar tiene un sistema positivo a tierra (terminal de la batería conectado al chasis), sustituya los siguientes pasos a las instrucciones arriba mencionadas:

10. Conecte la pinza roja positiva (+) al chasis del vehículo o a un componente sólido no móvil del vehículo. NO poner la pinza directamente a un terminal positivo de la batería o a una parte móvil.
11. Conecte la pinza negativa negra (-) al terminal negativo de la batería del vehículo.

CÓMO IMPULSAR LA BATERÍA DEL VEHÍCULO USANDO EL ADAPTADOR DE CARGA DE CC

PRECAUCIÓN—No deje el adaptador de carga de CC conectado al toma del encendedor del vehículo cuando arranque el vehículo. Quitar el adaptador de carga de CC antes de arrancar el vehículo. Esto evitará que explote el fusible de la toma de CC del vehículo.

En algunos casos cuando la batería del vehículo tiene suficiente potencia para arrancar el motor pero no la suficiente como para arrancar el vehículo, se puede usar el adaptador de carga de CC para proveer la carga suficiente para que arranque al batería del vehículo. Verifique que el Solar e Power Cube tiene la carga completa. Los siguientes procedimientos resumen este proceso:

1. Verifique que el interruptor del inversor está apagado y que todos los artefactos han sido desconectados de las salidas accesorio y los puertos USB.
2. Encienda (ON) el interruptor de desconexión de la batería.
3. Enchufe un extremo del adaptador de carga de CC en el toma del encendedor de cigarrillos (accesorio) de su vehículo. Es necesario que tenga que cambiar la llave de contacto a la posición "Accesorio" para suministrar energía al toma del encendedor. Verifique que ha apagado cualquier luz o accesorio como la radio o el ventilador del aire acondicionado que pueda estar operando mediante la batería del vehículo.
4. Enchufe el otro extremo en cualquiera de las dos salidas de CC en el panel de control del Solar e Power Cube.
5. Espere 15 minutos mientras el Solar e Power Cube carga la batería de su vehículo.
6. Quite el adaptador de carga de CC del toma del encendedor de cigarrillos del vehículo antes de intentar arrancar el vehículo.
7. Si el motor de su vehículo gira pero no arranca, investigue otro tipo de desperfecto.
8. Almacene el adaptador de carga de CC en la gaveta de almacenamiento.
9. Si el motor no gira, siga los procedimientos de arranque descritos en la sección anterior.
10. Cargue el Solar e Power Cube tan pronto como le sea posible.

OPCIONES DE EXPANSIÓN DE ENERGÍA

Cómo agregar baterías al sistema

Para prolongar el tiempo operativo, se pueden agregar baterías adicionales en paralelo usando los terminales de la batería ubicados arriba de las ruedas. Conecte baterías AGM de 12V al sistema para usar durante un tiempo prolongado. Conectar baterías líquidas de calcio-plomo o GEL puede, con el tiempo, terminar en una carga desigual y descarga entre las baterías internas y externas, una condición que daña la batería. Puede conectar en forma temporal baterías líquidas de calcio-plomo o GEL al Solar e Power Cube. Es importante que solo conecte el mismo voltaje de baterías (12V) en paralelo. Las conexiones de polaridad inversa pueden causar una explosión. Conectar baterías externas al Solar e Power Cube en serie podría causar daños al sistema y anular la garantía. Se recomienda que una persona calificada agregue las baterías.

Si hay dudas, se puede verificar el voltaje y la polaridad de las baterías externas conectadas al Solar e Power Cube con un voltímetro provisto por el usuario.

PRECAUCIÓN— BATERÍA EXTERNA:

- Cuando agregue baterías al sistema para usar durante un tiempo prolongado, debe usar baterías AGM de 12V. Utilizar baterías de distinta constitución o química puede dañar los componentes.
- El cargador de CA de 5 amperios provisto tiene un límite total de amperio-hora. Las baterías externas no deben exceder los 240 Ah. El total de índice de amperio-hora interno y externo no debe exceder los 360 Ah.
- Se recomienda usar por lo menos un cable de 6 AWG o mayor para conectar las baterías adicionales al Solar e Power Cube cuando se extrae la energía completa del inversor. Los cables pesados reducen la pérdida de voltaje en los cables. Los cables típicos de arranque para automóviles son suficientes.
- Instale el fusible de 100A en línea positiva.

Procedimiento de conexión de la batería externa

1. Apague (OFF) el interruptor de desconexión de la batería.
2. Ubique los terminales de la batería arriba de las ruedas.
3. Instale el fusible de 100A en línea positiva.
4. Afloje las cubiertas del terminal de la batería y conecte las baterías usando terminales aro o pinzas de cable de arranque. Verifique que la conexión es segura.
5. Con un voltímetro, verifique que el voltaje de la batería es correcto en los terminales.
6. Encienda el inversor y observe el voltaje de la batería externa.
7. Si las baterías están conectadas, encienda el interruptor de desconexión de la batería del Solar e Power Cube.

PRECAUCIÓN— DESCARGA DE LA BATERÍA:

Con el interruptor de desconexión de la batería apagado, el LED del voltímetro digital LED muestra el voltaje de la batería externa al inversor. Es importante controlar el voltaje de la batería externa para evitar la descarga excesiva de la misma.

Cómo puentear la batería interna

La batería interna del Solar e Power Cube puede puentearse para usar el inversor o las funciones de carga de la batería sin usar la batería interna. Esta función puede usarse si la batería interna no está disponible para alimentar los artefactos de CA o CC. Para puentear la batería interna:

1. Apague (OFF) el interruptor de desconexión de la batería.
2. Conecte las baterías externas a los terminales de la batería.
3. Opere el Solar e Power Cube como es habitual de acuerdo a sus necesidades.

Nota: No exceda el consumo de corriente de 80A (960W) al pasar por la batería interna.

CÓMO AGREGAR PANELES SOLARES

Hay dos maneras de agregar más paneles al Solar e Power Cube. Una manera es agregar paneles usando el controlador interno de carga solar observando los límites de vataje/amperaje del controlador. El Solar e Power Cube tiene baterías externas con capacidades mayores a los 100 Ah, al agregar paneles solares adicionales con un vataje total mayor a los 300 vatios se puede lograr usando paneles solares con un controlador externo.

Cómo usar el controlador de carga solar interno

Los paneles solares adicionales se pueden conectar al Solar e Power Cube usando los terminales del panel solar. Agregar paneles solares puede reducir el tiempo de carga de la batería. El controlador de carga solar interno tiene un índice máximo de 20A con voltajes de panel entre los 16 a los 22 voltios. No conecte más de 300W de paneles solares, incluyendo los 80W de paneles que se suministran. Al hacer esto sobrecargará el controlador de carga solar y detendrá el proceso de carga.

Paneles solares y controlador externo provistos por el usuario

Los paneles solares adicionales, si están equipados con su propio controlador de carga solar, pueden ser conectados mediante los terminales de la batería. Sin embargo, se recomienda que la energía de carga total no exceda los 10 amperios con el interruptor de desconexión de la batería en ON (cerrado).

Si se van a conectar baterías externas, paneles solares de más de 300 vatios y un controlador de carga solar externo al Solar e Power Cube mediante los terminales de la batería, el interruptor de desconexión de la batería debe estar en OFF (abierto) para evitar sobrecarga de la batería interna.

MANTENIMIENTO

El mantenimiento del Solar e Power Cube en buenas condiciones operativas es relativamente simple. Cargue la batería hasta que esté llena tan a menudo como sea posible y mantenga todas las superficies libres de polvo y suciedad.

Limpieza

Con el Solar e Power Cube desconectado de todo cable eléctrico y los ventiladores apagados, puede cuidadosamente aspirar las ventilaciones para quitar el polvo.

Los paneles solares deben limpiarse en forma periódica durante el uso prolongado o antes de almacenarlos. Controle los paneles semanalmente o después de una tormenta para verificar que no han sufrido daños.

- Controle las acumulaciones de suciedad o los excrementos de las aves.
- Use un cepillo suave para quitar el polvo o los excrementos de los paneles.
- Limpie la superficie del vidrio solar y el marco con un paño suave y húmedo. Utilice detergente para vajilla suave si es necesario.

- Seque los paneles con un paño suave. Los paneles solares son más eficientes cuando están limpios.
- Controle los cables y los circuitos que están sujetos a los paneles solares. Los cables pueden aflojarse por condiciones climáticas turbulentas.
- Almacene los paneles cuando no se usan.

Reemplazo de fusibles: Adaptador de carga de CC

El adaptador de carga de CC viene equipado con un fusible que salta rápidamente a los 15A dentro de cada extremo del enchufe. Para reemplazar un fusible, simplemente desatornille la cabeza del enchufe y quite el fusible. Si se quemó, reemplácelo con un fusible de 15 amperios del mismo tipo y clasificación.

GUÍA DE SOLUCIÓN DE PROBLEMAS

PROBLEMA	CAUSA POSIBLE	SOLUCIÓN
Sin salida de CA, el LED verde no está encendido, el voltímetro lee debajo de los 10 voltios	Voltaje de la batería demasiado bajo	Reducir la carga de CA y cargar la batería del Solar e Power Cube
	Carga de CA excesiva	
Sin salida de CA, no se muestra luz	El interruptor de desconexión de la batería está apagado (OFF).	Encender el interruptor
Sin salida de CA, operan las salidas de 12 voltios, operan los puertos USB. El interruptor del inversor está encendido	El inversor no está funcionando	Llame al Soporte técnico de Wagan Tech
Las salidas de CC de 12 voltios cambian de encendido a apagado	La salida de CC está sobrecargada	Reduzca la carga de CC
Interferencia en la televisión	Se quiebra la imagen (estática)	Ubique el Solar e Power Cube tan lejos como sea posible de la TV, la antena y el cable coaxial
		Es posible que la estación televisiva esté fuera de alcance
Interferencia estática/ruido en el sistema de audio	El sistema de sonido tiene un blindaje de corriente alterna débil	No use el inversor con un sistema de filtro de CA de audio de baja calidad
		Reemplace el sistema de audio con un filtro de ruidos de alta calidad

PROBLEMA	CAUSA POSIBLE	SOLUCIÓN
El tiempo de funcionamiento es menor al esperado	El Solar e Power Cube no tiene la carga completa	Cárguelo usando el adaptador de carga de CA
	El consumo de energía del producto se mayor al esperado	Controle la energía o el "vataje" y compare con las tablas en la sección de Tiempos operativos de la batería de este manual
La luz de carga está apagada cuando el adaptador de carga de CA está conectado	No hay energía de CA en el tomacorriente domiciliario	Asegúrese de que haya electricidad en el tomacorriente domiciliario
El adaptador de carga de CC no funciona	Fusible quemado	Controle y reemplace el fusible quemado en el enchufe

RECICLADO/DESECHO

El Solar e Power Cube contiene materiales que no deben arrojarse en vertederos y requieren reciclado. Esto incluye a las baterías de ácido de plomo, los paneles solares y algunos componentes en el inversor. Contacte a las autoridades locales para recibir las instrucciones de desecho o reciclado.

ESPECIFICACIONES

Las especificaciones están sujetas a cambios sin previo aviso.

Especificaciones de envío del Solar e Power Cube

Dimensiones (paneles solares retraídos/plegados cerrados)	20,9 × 20,9 × 14,7 pulgadas (53 × 53 × 37 cm)
Peso	53 kg (116,6 libras)
Garantía Solar e Power Cube: Vea la declaración de garantía en el reverso del manual.	2 años

Salidas y batería de CC de 12 Voltios

Tipo de batería interna	AGM híbrida sellada de ácido de plomo con GEL
Voltaje de batería interna (nominal)	12V
Capacidad de la batería interna	100 Ah
Corriente de carga máxima a través de una salida accesorio de CC de 12 voltios (continua)	15A
Índice del cortacorriente de la salida accesorio de CC (interno, reinicio automático)	15A
Corriente de salida máxima del USB	2.0A

Inversor

Artículo N° 2547

Artículo N° 2547-7

Voltaje de salida de CA (nominal)	115V CA	220V CA
Frecuencia de salida de CA	60 Hz \pm 4 Hz	50 Hz \pm 4 Hz
Energía de salida de CA continua máxima	1500W (3 minutos sin baterías adicionales)	
Subida de tensión de CA momentáneo	3600W	
Forma de la onda de salida de CA	Onda senoide modificada	
Drenaje de batería sin carga/salidas	Menos de 0.5A	
Temperatura de almacenamiento/ operativa	0–40 °C (32–104 °F)	
Disparador de alarma de batería baja (nominal)	10,5 V \pm 0,5V	
Apagado de batería baja (nominal)	9,5 V \pm 0,5V	

Adaptador de carga de CA

Rango de voltaje de entrada de CA (nominal)	100–240V CA
Frecuencia de entrada de CA	50–60 Hz
Voltaje de salida de CC	Para baterías de 12 voltios
Máximo de corriente de carga de salida actual de CC	5.0 amperios
Indicador LED del adaptador de carga de CA (rojo/verde)	Rojo: Cargando Verde: Carga completa/Carga flotante
Conector de salida	Enchufe de CC (automóvil)

Adaptador de carga de CC

Largo del cable de CC	100 cm (39 pulgadas)
Fusible reemplazable interno de CC	15A

Paneles solares y controlador de los paneles solares

Materiales activos del panel (5 x 16 vatios)	Monocristal
Rango de salida de voltaje	16–22 voltios
Vataje máximo del panel	80 vatios
Eficiencia del panel	17%
Vataje máximo del panel del controlador solar interno	300W
Corriente máxima del controlador del panel	20A

SPANISH

Garantía Limitada de la Corporación Wagan

La garantía de WAGAN Corporation se limita exclusivamente a los productos vendidos en Estados Unidos.

Duración de la garantía:

Se extiende la garantía del producto para el comprador original por el periodo de dos (2) años a partir de la fecha de compra original, que declara que está libre de defectos de materiales y mano de obra. WAGAN Corporation no asume ninguna responsabilidad por daños consecuentes. Bajo ninguna circunstancia WAGAN Corporation asumirá responsabilidad por daños que excedan el importe pagado por el producto en una tienda minorista.

Cumplimiento de la garantía:

Durante el periodo de la garantía, un producto defectuoso será reemplazado por un modelo equivalente cuando el producto sea devuelto a WAGAN Corporation con un recibo original de la tienda. WAGAN Corporation, a su criterio, reemplazará, reemplazará o reparará la parte defectuosa. El producto de reemplazo quedará cubierto por el resto del periodo de la garantía original. Esta garantía no se extiende a las unidades cuyo uso haya violado las instrucciones suministradas por escrito.

Exclusiones de la garantía:

Esta garantía reemplaza toda otra garantía expresa o implícita y ningún representante o persona están autorizados a asumir responsabilidad alguna en relación con la venta de nuestros productos. No se aceptarán reclamos por defectos o falla de funcionamiento o falla del producto bajo ninguna interpretación del derecho de responsabilidad civil, contractual o comercial, sin limitarse a negligencia, negligencia grave, responsabilidad objetiva, violación de garantía y violación de contrato.

Devoluciones:

WAGAN Corporation no se responsabiliza por cualquier elemento(s) devuelto(s) sin un número de Autorización de devolución (#AD). Por favor póngase en contacto con nuestro equipo de servicio al cliente por teléfono o correo electrónico para obtener un #AD. También puede visitar nuestro sitio web y hablar con nuestro equipo en nuestro horario normal de trabajo. Para más detalles e instrucciones sobre cómo procesar un reclamo de garantía, por favor lea la sección "Devoluciones" de la página de "Contacto" en nuestro sitio web. WAGAN Corporation no se responsabiliza por cualquier cargo por envío que resulte de la devolución de el/los elemento(s) a la compañía para reparaciones o reemplazo.

Registre su producto en línea en <http://tinyurl.com/wagan-registration> para ser agregado a nuestra lista de correo electrónico. Recibirá reseñas sobre nuestros próximos productos, promociones y eventos.

©2015

SOLAR e POWER™
CUBE 1500
PLUS

MOBILITÉ • INSTALLATION RAPIDE • PUISSANCE INSTANTANÉE

TABLE DES MATIÈRES

Introduction	59
Mises en Garde, Précautions et Remarques	59
Mises en garde Généralités.....	59
Caractéristiques Principales	60
Tableau de Commandes	60
Voltmètre numérique à LED (niveau de charge de la batterie)	62
Batterie hybride 100Ah Gel/AGM.....	62
Interrupteur de déconnexion de la Batterie.....	63
Bornes externes	63
Chargement du Solar e Power Cube	64
Méthodes de Charge	65
Chargeur CA.....	65
Chargeur CC.....	66
Charge avec des panneaux solaires.....	67
Positionnement des panneaux.....	68
Tension de Sortie	68
Utilisation des socles de sortie CA	68
Prises 12V CC	70
Bornes des batteries externes	70
Durée de Fonctionnement CA / Onduleur	71
Durée de Fonctionnement CC	71
Mises en Garde/ Démarrage par Câbles	72
Procédure de Démarrage par Câbles	73
Connexion à un véhicule relié positivement au sol.....	73
Utilisation du Solar e Power Cube Pour Charger le Véhicule	74
Options d'Extension	74

Ajout de batteries au système	74
Raccordement d'une batterie externe – procédure	75
Relais à la batterie interne	75
Ajout de Panneaux Solaires	75
Utilisateur du régulateur de charge intégré	75
Utilisation du régulateur et des panneaux	76
Maintenance	76
Nettoyage	76
Changer les fusibles—Chargeur CC	76
Dépannage	77
Recyclage/ Mise au Rebus	78
Caractéristiques	78
Caractéristiques d'expédition	78
Batterie et prises 12 Volt CC	78
Onduleur	79
Chargeur CA	79
Chargeur CC	79
Panneaux solaires et régulateur de charge des panneaux solaires	79
Garantie limitée de WAGAN Corp.	80

INTRODUCTION

Félicitations pour votre récent achat du Solar e Power™ Cube 1500 Plus de Wagan Tech®. Ce Solar e Power Cube est un système à balance électrique capable d'alimenter des unités à courant alternatif et de charger différents appareils électrique. En situation d'urgence, e système peut aussi permettre de recharger la batterie d'un véhicule. Sur votre lieu de travail, il peut alimenter en électricité des objets lorsqu'aucun générateur ni aucune ligne électrique n'existe. La nuit, il peut alimenter différentes sources d'éclairage des éclairages CC aux projecteurs CA. Ce Solar e Power Cube peut aussi alimenter un four à micro-ondes, des pompes à eau ou des appareils de loisir. Le Solar e Power Cube s'adapte à tous vos besoins et évolue avec vous! Vous pouvez y ajouter des batteries externes ou même des panneaux solaires, afin d'augmenter sa durée de vie. Cette adaptabilité vous garanti un investissement sûr lorsque vous achetez le Solar e Power Cube.

La batterie interne, qui constitue le centre du système, est une batterie de haute qualité et requière une charge régulière et un entretien précis. Wagan Tech, déjà spécialiste mondial en onduleurs CC/CA, a déployé toute son expérience dans la conception du Solar e Power Cube.

La batterie du Solar e Power Cube peut être entretenue au moyen du chargeur fourni dans le colis.

Prenez le temps de bien lire et de bien comprendre toutes les consignes de ce manuel, avant d'utiliser pour la première fois le Solar e Power Cube. Suivez précisément les consignes qui vous sont livrées afin d'assurer une longue vie à votre nouvel appareil.

Conservez ce manuel pour votre référence.

Pensez a Charger Entièrement le Solar e Power Cube Avant la Première Utilisation.

MISES EN GARDE, PRÉCAUTIONS ET REMARQUES

MISES EN GARDES identifiez les consignes de sécurité lorsque vous faites fonctionner cet équipement. Le non-respect de ces consignes pourrait entraîner de graves blessures, voire le décès.

PRÉCAUTIONS identifiez causes possibles de détérioration du matériel.

REMARQUES identifiez les consignes d'utilisation.

Mises en garde Généralités

RISQUE D'INFLAMMATION ET D'ÉLECTROCUTION—Le Solar e Power Cube génère la même puissance électrique alternative potentiellement mortelle qu'une prise murale domestique traditionnelle. Traitez-la donc de la même façon que vous traitez vos prises murales alternatives.

RISQUE D'EXPLOSION—N'utilisez pas ce produit à proximité de vapeurs toxiques ou de gaz, comme par exemple près du bouchain d'un bateau à moteur diesel, ou à proximité d'un réservoir à propane. N'utilisez pas le Solar e Power Cube dans un endroit clos renfermant des batteries automobile remplies d'acide. Ces batteries, à la différence des batteries hermétiques contenues dans le Solar e Power Cube, contiennent du gaz d'hydrogène qui peut prendre feu en cas d'étincelles émises par des branchements électriques.

Lorsque vous travaillez sur un équipement électrique, vérifiez toujours que quelqu'un se trouve à proximité de vous, pour pouvoir vous aider en cas de besoin.

CHARGES LOURDES—Cette unité pèse environ 84 livres (38 kg). Soyez prudent lorsque vous tentez de la soulever. Deux personnes doivent être présentes pour soulever l'unité, en la saisissant aux niveaux des deux renforcements prévus à cet effet (aux extrémités du Solar e Power Cube).

LIMITATIONS D'UTILISATION—le Solar e Power Cube n'a pas été testé pour être utilisé dans un environnement médical. L'utilisateur sera responsable de tous les risques encourus s'il utilise délibérément le Solar e Power Cube dans ce type d'environnement.

SEUIL DE TEMPÉRATURE—N'exposez jamais le Solar e Power Cube à des températures supérieures à 104 °F (40 °C) ou inférieures à 32 °F (0 °C)

CETTE UNITÉ NE RÉSISTE PAS A L'EAU—N'exposez jamais cette unité à la pluie ou à l'humidité.

CARACTÉRISTIQUES PRINCIPALES

- Onduleur 1500 watt (3600 watts max)
- Deux prises CA
- Deux ports de charge Auto 12 volt pour brancher les appareils à courant continu (charge jusqu'à 15 ampères)
- Deux ports USB pour la charge des téléphones portables, PDA et lecteurs MP3
- Un chargeur CA avec une sortie 5 ampères
- Un chargeur CC (à fusibles)
- Un voltmètre numérique à LED permettant de contrôler le niveau de charge de la batterie
- Une touche "contrôle de la batterie"
- Un interrupteur permettant de déconnecter la batterie
- Des bornes solaires permettant de connecter des panneaux solaires au régulateur de charge interne
- Des bornes pour connecter d'autres batteries
- Boîtier de rangement pour chargeurs et câbles
- Renforcements pour soulever/installer facilement le Solar e Power Cube.
- Batterie hybride 100Ah Gel/AGM pour une durée de vie prolongée
- Panneaux solaires 80 Watts (5 × 16 watts) pour charger la batterie interne.

TABLEAU DE COMMANDES

Le tableau de commandes est doté d'un voltmètre numérique à LED permettant de contrôler le statut de la batterie, d'une touche « contrôle de la « batterie », d'un onduleur ON/OFF, de deux

Solar e Power™ Cube 1500 Plus de Wagan Tech®

prises CA et de deux prises de sortie 12 volt. Deux voyants LED indiquent le statut de l'onduleur. Le voyant vert, lorsqu'il clignote, indique un fonctionnement normal et signale la présence d'un courant alternatif. Le voyant rouge indique que l'onduleur est éteint à cause de l'une des raisons suivantes : surtension, sous-tension, seuil de température dépassé ou surcharge. Consultez la rubrique "Dépannage" pour résoudre le problème. Deux bornes permettent de brancher des panneaux solaires additionnels au régulateur de charge interne. L'interrupteur de déconnexion de la Batterie se situe sur la gauche du tableau de commandes. Un boîtier de rangement contient les chargeurs CC et CA.

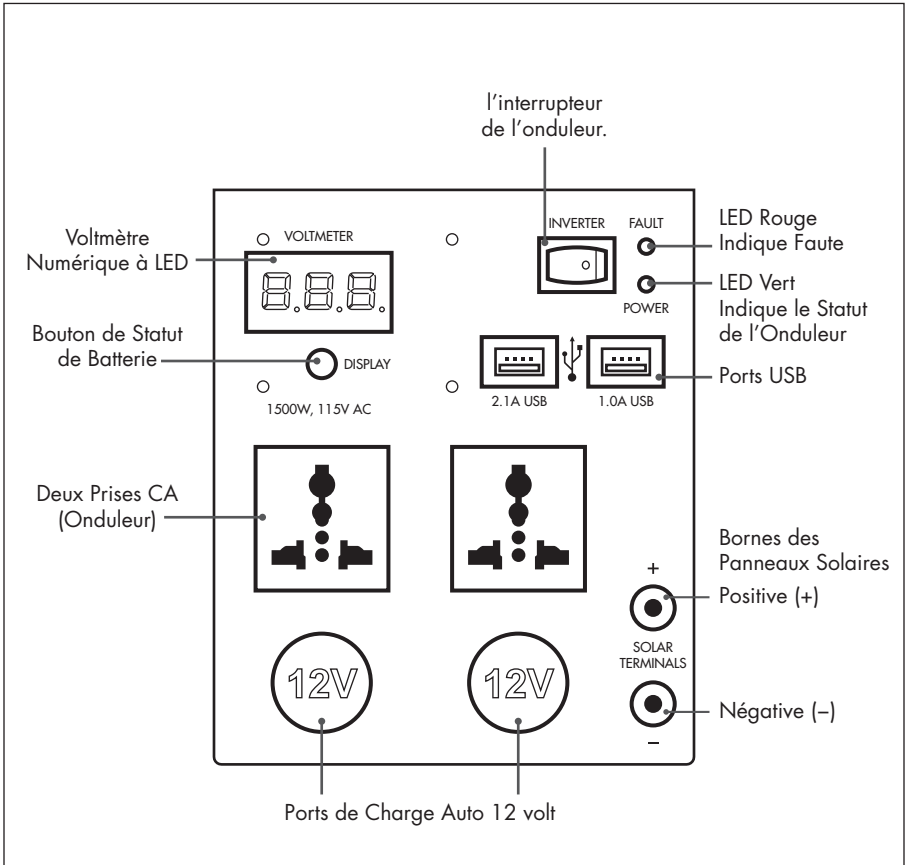
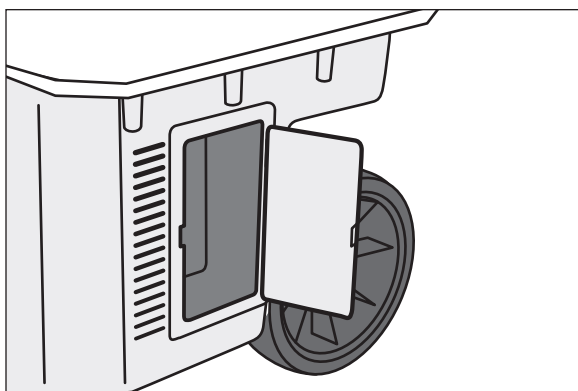


Tableau de commandes



Boîtier de rangement

Voltmètre numérique à LED (niveau de charge de la batterie)

Le voltmètre numérique à LED indique à l'utilisateur le niveau de charge de la batterie interne. Il est de la responsabilité de l'utilisateur de contrôler périodiquement la charge de la batterie et de recharger la batterie après chaque utilisation. Rechargez la batterie tous les trois mois même si le Solar e Power Cube n'a pas été utilisé.

REMARQUE: le niveau de charge de la batterie est précis lorsque les chargeurs sont débranchés

1. Maintenez enfoncée la touche "contrôle de la batterie" pendant 3 secondes.
2. Le voltmètre numérique à LED (vérificateur de charge de la batterie) affiche la tension de la batterie.

= 13,5V CC	La batterie est entièrement chargée
≥ 12,6V CC	La batterie est prête à être utilisée
≤ 12,0V CC	La batterie doit être chargée
< 10,5V CC	La batterie est déchargée, rechargez-la immédiatement

Batterie hybride 100Ah Gel/AGM

Le Solar e Power Cube est doté de la dernière technologie en matière de batterie. Les batteries fournies combinent les caractéristiques de charge et la compatibilité des batteries AGM et des batteries remplies d'acide, ce qui garantit une durée de vie prolongée et ce à différentes températures.

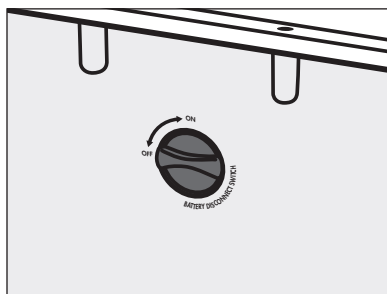
Ces batteries sont électriquement compatibles avec les batteries AGM, ce qui permet d'améliorer les capacités de charge. Le gel contenu dans ces batteries permet une durée de vie plus longue et moins de remplacement des composants. Il est recommandé de n'utiliser que des batteries AGM pour les longues durées d'exposition car elles sont plus compatibles avec les applications portables et ne risquent pas de fuir.

ATTENTION—DURÉE DE VIE DE LA BATTERIE:

Un déchargement rapide et répété de la batterie réduit inévitablement ses capacités et sa durée de vie. Chargez-la régulièrement pour prolonger sa durée de vie.

Interrupteur de déconnexion de la Batterie

Un interrupteur de déconnexion de la Batterie permet à l'utilisateur d'éteindre la batterie dès que le Solar e Power Cube n'est pas utilisé et doit être stocké pendant une longue période. Ceci permet de protéger le niveau de charge de la batterie. Il est également conseillé d'éteindre cet interrupteur lorsque vous devez transporter le Solar e Power Cube afin d'éviter les risques d'électrocution dues aux vibrations excessive. L'interrupteur de déconnexion de la Batterie se situe à la gauche du tableau de commandes. Sur les anciens modèles, le ventilateur fonctionne lorsque l'interrupteur de déconnexion de la Batterie est ACTIVE. Sur les modèles plus récents, les ventilateurs fonctionnent lorsque l'onduleur est ACTIVE.

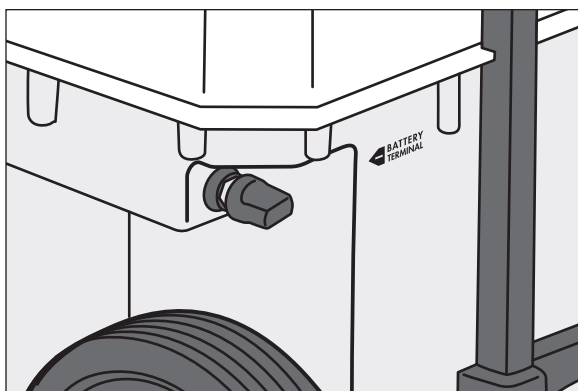


ATTENTION—BORNES DE LA BATTERIE:

Lorsque l'interrupteur de déconnexion de la Batterie est ACTIVE, les bornes de la batterie sont connectées à la batterie interne. Un entretien spécifique est requis pour maintenir les bornes en bon état, même lorsque celles-ci ne fonctionnent pas.

Bornes externes

Des bornes de couleur rouge et blanche étiquetées "Bornes de la batterie" sont situées au-dessus de chaque roue. Ces bornes peuvent être utilisées pour les opérations CC dont la charge dépasse 15 ampères, comme par exemple faire démarrer un véhicule à petit moteur au moyen des câbles de démarrage. Faites attention à ce que la batterie ne soit pas trop déchargée. Lorsque vous utilisez les bornes de la batterie pour une sortie électrique élevée ou sur une durée de temps élevée, il est d'activer l'onduleur afin de faire fonctionner le ventilateur. L'interrupteur de déconnexion de la Batterie doit être active pour que les bornes puissent fonctionner. Les bornes de la batterie peuvent être utilisées pour brancher d'autres batteries (externes) afin d'augmenter la capacité de la batterie. L'illustration suivante représente la borne Négative.



Borne Négative (-) de la batterie

CHARGEMENT DU SOLAR E POWER CUBE

VÉRIFIEZ BIEN QUE LE SOLAR E POWER CUBE EST ENTIÈREMENT CHARGÉ AVANT LA PREMIÈRE UTILISATION.

Il est important de charger le Solar e Power Cube pendant 24 heures avant de procéder à la première utilisation. Rechargez le Solar e Power Cube après chaque utilisation. Lorsque vous stockez le Solar e Power Cube pendant une longue durée, il est conseillé de charger la batterie une fois tous les 3 mois. Le non-respect de ces consignes pourrait endommager la batterie ainsi que sa capacité à rester chargée.

ATTENTION—RISQUE D'ENDOMMAGER LA BATTERIE:

- Toutes les batteries contenant de l'acide doivent être chargées au moins tous les 3 mois, surtout dans les environnements chauds. Laisser une batterie déchargée ou ne pas la recharger au bout de trois mois risquerait de l'endommager définitivement.
- N'essayez pas de charger la batterie du Solar e Power Cube si cette dernière a gelé. Une batterie gelée doit être réchauffée petit à petit afin d'être ramenée à 32 °F (0 °C) avant de pouvoir être rechargée.
- Attention : ne déchargez pas la batterie du Cube.
- Une mauvaise charge répétée réduirait la durée de vie de la batterie.
- Pendant la charge, si le bouton de statut de la batterie est enclenché, la tension affichée est celle du chargeur.
- Pour lire la tension de la batterie, l'utilisateur DOIT d'abord débrancher le chargeur de l'unité.
- Appuyez sur le bouton de statut de la batterie. Si l'affichage indique moins de 13,5 volts, poursuivez la charge.
- Si l'affichage de la batterie est supérieur à 1,5 volts, laissez la batterie reposer pendant une heure.

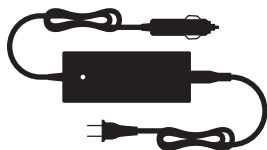
©2017 Wagan Corporation. Tous droits réservés.

Wagan Tech et *wagan.com* sont des marques de commerce utilisées par Wagan Corporation.

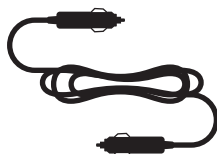
- Pendant cette période, la batterie reviendra à sa tension réelle. Après cette période, relevez le statut de la batterie. Cet affichage indique la tension réelle de la batterie.
- Vérifiez bien que le Power Cube est entièrement chargé avant de l'utiliser.

MÉTHODES DE CHARGE

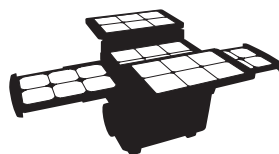
Le matériel fabriqué en usine permet le chargement du Solar e Power Cube des façons suivantes:



Chargeur CA



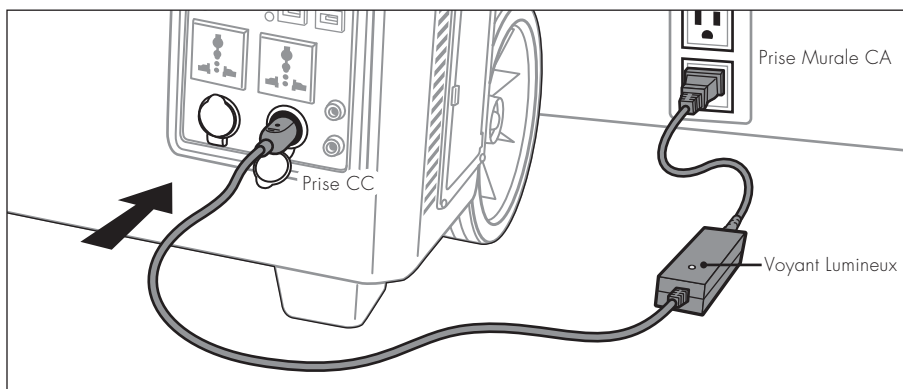
Chargeur CC
(Pour un chargement depuis votre véhicule pendant que vous conduisiez)



Panneaux solaires

Chargeur CA

Le Solar e Power Cube est livré avec un chargeur CA entièrement automatique. Le voyant lumineux situé en haut du chargeur est rouge lorsque la batterie est en charge et vert lorsque la batterie est complètement chargée. Le chargeur continuera de charger la batterie même lorsque celle-ci est pleine afin que cette dernière reste toujours au même niveau une fois le voyant vert allumé. Le chargeur est doté de plusieurs ports de charge afin d'ajuster automatiquement la tension sur 115V ou sur 220V, en fonction de la source CA. Notez que la toute première charge peut durer 48 heures. Le chargeur CA se connecte au Solar e Power Cube via la prise CC située sur le tableau de commandes.



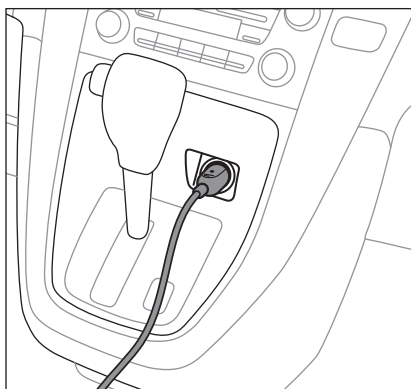
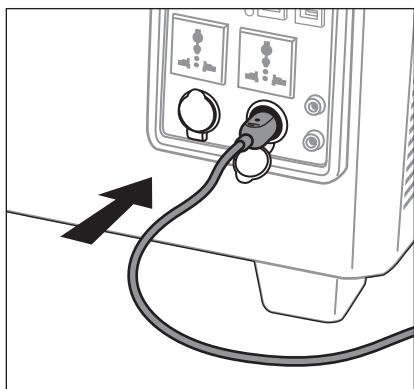
Branchez le chargeur CA dans la prise murale.

VÉRIFIEZ QUE TOUS LES INTERRUPTEURS DU SOLAR E POWER CUBE SONT DÉSACTIVÉS.

1. Branchez le chargeur CA à une prise murale CA.
2. Insérez la prise CC du chargeur dans le port CC du Solar e Power Cube
3. ACTIVEZ l'interrupteur de déconnexion de la Batterie
4. La charge est terminée lorsque la lumière sur le chargeur CA vire au vert.
5. Après avoir chargé la batterie, débranchez d'abord le chargeur CA de la prise murale, puis de la prise CC.
6. ÉTEIGNEZ l'interrupteur de déconnexion de la Batterie si le Solar e Power Cube n'est pas utilisé.
7. Rangez le chargeur CA dans le boîtier de rangement.

Chargeur CC

Le chargeur CC est un cordon d'alimentation doté de ports CC aux deux extrémités. Les deux ports sont réglés sur 15 ampères afin d'éviter d'endommager le matériel en cas de panne électrique. Consultez la rubrique « Maintenance » si vous avez besoin de remplacer un fusible..



Branchez le chargeur CC dans la prise CC du véhicule

Pour charger le Solar e Power Cube au moyen du chargeur CC:

N'UTILISEZ QUE LE CHARGEUR CC FOURNI AVEC CETTE UNITÉ. NE CHARGEZ PAS PLUS DE 16 HEURES L'UNITÉ SI VOUS UTILISEZ LA MÉTHODE DE CHARGE CC A CC.

1. Notez que le moteur doit fonctionner pendant que vous chargez le Solar e Power Cube afin d'éviter de décharger la batterie du véhicule.
2. Vérifiez que tous les interrupteurs du Solar e Power Cube sont ÉTEINTS.
3. Branchez le chargeur CC au port CC du Solar e Power Cube.
4. Branchez l'autre extrémité du chargeur CC au chargeur de votre véhicule (allume-cigares).

©2017 Wagan Corporation. Tous droits réservés.

Wagan Tech et wagan.com sont des marques de commerce utilisées par Wagan Corporation.

5. ACTIVEZ l'interrupteur de déconnexion de la Batterie
6. Retirez de temps à autre la prise CC et vérifiez le voltmètre numérique à LED afin de savoir quand la charge est terminée (on considère généralement qu'à 13,5V la batterie est entièrement chargée).
7. Une fois la batterie chargée, débranchez le chargeur CC de l'allume-cigare puis du port CC du Solar e Power Cube.
8. ÉTEIGNEZ l'interrupteur de déconnexion de la Batterie si vous n'utilisez pas le Solar e Power Cube.
9. Rangez le chargeur CC dans le boîtier de rangement.

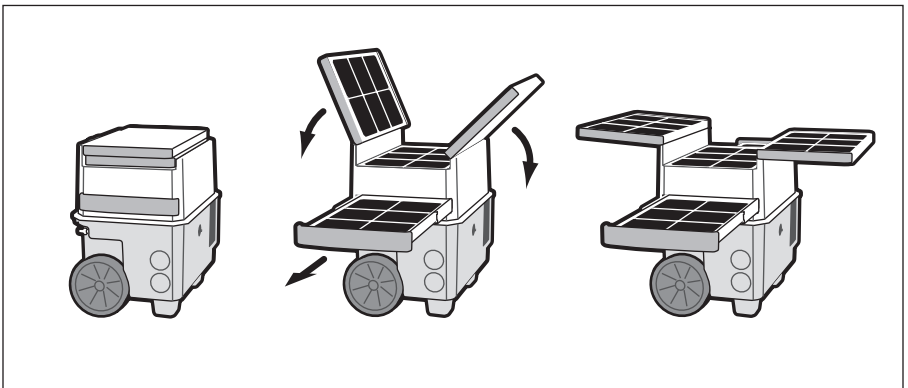
Ne laissez jamais le Solar e Power Cube branché à votre allume-cigare lorsque le moteur est éteint.

PRÉCAUTION—DÉTÉRIORATION DU MATÉRIEL

- Lorsque le Solar e Power Cube est en charge au moyen du chargeur CC de votre véhicule, n'utilisez pas l'onduleur avec une charge supérieure à 100 watts. De plus, ne branchez aucun autre système CC nécessitant plus de 10 ampères au Solar e Power Cube. Cela pourrait endommager les fusibles.
- Retirez toujours le chargeur CC de l'allume-cigare avant de démarrer le véhicule.
- Débranchez le Solar e Power Cube de l'allume-cigare lorsque le moteur est éteint afin d'éviter de décharger la batterie du véhicule.
- Retirez toujours le chargeur CC de l'allume-cigare avant de démarrer le véhicule.

Charge avec des panneaux solaires

Le Solar e Power Cube est fourni avec cinq panneaux solaires 16W (80 watts). Les deux panneaux supérieurs sont reliés au Solar e Power Cube sur la partie inférieure. Les panneaux doivent être entièrement ouverts/déployés pour que l'exposition au soleil soit maximale.



Ouverture des panneaux solaires

ATTENTION—Vérifiez qu'aucun objet n'encombre les panneaux solaires. Ceci réduirait l'exposition des panneaux au soleil et empêcherait la batterie de charger convenablement. Cela pourrait aussi endommager/rayer les panneaux.

Les panneaux solaires supportent une charge de 80W, toutefois, la tension de charge peut varier en fonction des facteurs environnementaux et de l'intensité du soleil dans votre région. La durée approximative de chargement pour le Solar e Power Cube est de 18 heures en plein soleil. D'autres panneaux solaires peuvent être reliés au Solar e Power Cube, afin de réduire le temps de charge. Le régulateur intégré aux panneaux est évalué à une tension maximum de 20A. Ne branchez pas plus de 300W de panneaux solaires, y compris les 80W de panneaux déjà connectés. Ceci pourrait endommager le régulateur intégré aux panneaux, et annuler toute garantie. Les autres panneaux solaires rattachés au Solar e Power Cube doivent avoir la même tension (voir les caractéristiques au verso de ce document).

ATTENTION—RÉGULATEUR INTÉGRÉ AUX PANNEAUX/LIMITATIONS:

Le régulateur de charge intégré aux panneaux solaires doit avoir une tension minimum de 20A. Ne branchez pas plus de 300W de panneaux solaires, y compris les 80W de panneaux déjà connectés. Ceci pourrait endommager le régulateur intégré aux panneaux, et annuler toute garantie.

Positionnement des panneaux

Afin d'assurer une alimentation correcte des panneaux, positionnez les panneaux perpendiculairement au soleil. Pour de meilleurs résultats, les panneaux doivent être alignés avec le soleil. L'emplacement variera en fonction de votre région. Il est conseillé de repositionner les panneaux toutes les 3 heures afin d'assurer une absorption maximum du soleil.

ATTENTION—DÉTÉRIORATION DU MATÉRIEL:

Lorsque vous ajoutez des panneaux solaires, assurez-vous que les panneaux ont une tension maximum de 12V . Si vous reliez plusieurs panneaux aux bornes, vérifiez que la tension combinée est supérieure à 17V CC.

Ne branchez pas plus de 300W de panneaux solaires, y compris les 80W de panneaux déjà connectés. Ceci pourrait endommager le régulateur intégré aux panneaux, et empêcherait la bonne charge des panneaux.

Vérifiez que toutes les ouvertures sont ouvertes pendant que le Solar e Power Cube fonctionne. Cela permet d'assurer une performance maximum de l'unité.

TENSION DE SORTIE

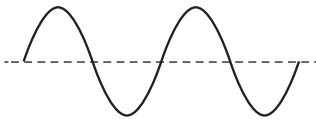
Utilisation des socles de sortie CA

L'onduleur du Solar e Power Cube fonctionne avec la plupart des unités CA, à hauteur de 1500 watts en tout. L'onduleur est capable de supporter 1500 watts sur une période de temps prolongée lorsque des batteries supplémentaires sont connectées au Solar e Power Cube. Toutefois, les batteries additionnelles n'augmentent pas la tension de l'onduleur au-delà de 1500W. La durée de fonctionnement dépend de la charge Ca (watts) et de l'état de la batterie du Solar e Power Cube, ainsi que des batteries externes. Une charge CA faible et une batterie pleine entraînent

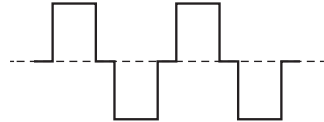
une durée de fonctionnement plus longue. Pensez à bien éteindre ou à débrancher les unités CA lorsque le Solar e Power Cube n'est pas utilisé.

Convertir un courant CC en courant CA génère de la chaleur. Pour réduire la chaleur et éviter une extinction de l'unité pour surchauffe, vérifiez que toutes les ouvertures du Solar e Power Cube sont ouvertes et qu'un objet ne les bouche. Les températures ambiante supérieure à 25 °C réduisent les performances de l'onduleur et améliorent ainsi la durée de fonctionnement du Solar e Power Cube.

L'onduleur produit un courant CA à onde sinusoïdale modifiée. Les différences d'ondulations sont répertoriées ci-après. Toutefois, vous pouvez utiliser le voltmètre intégré au Solar e Power Cube pour mesurer avec précision les tensions. Une tension supérieure à 30 volts n'est pas correcte pour une onde sinusoïdale modifiée.



Onde sinusoïdale pure



Onde sinusoïdale modifiée

ATTENTION—ONDE SINUSOÏDALE MODIFIÉE:

- Certaines unités rechargeables sont équipées d'un chargeur CA individuel. Ces systèmes peuvent fonctionner correctement avec cet onduleur. Les systèmes rechargeables dotés de chargeurs intégrés (voir la notice de votre système) ne fonctionnent pas avec ce type d'onduleur.
- Certaines unités motorisées peuvent fonctionner à des températures plus élevées avec cet onduleur. Lors de la première utilisation de cet onduleur, vérifiez la température du moteur. Une température anormalement élevée du moteur indique qu'il ne fonctionne pas avec cet onduleur.
- N'utilisez pas les unités suivantes avec un onduleur à onde sinusoïdale modifiée :
 - Unités à petites batteries telles que les Flash d'appareils photo, les rasoirs et les éclairages de nuit qui se relient à des chargeurs CA.
 - Certains chargeurs utilisés sur des unités manuelles. Ces chargeurs sont dotées d'une étiquette « tension dangereuse ».

Utilisation de l'onduleur CA:

1. ACTIVEZ l'interrupteur de déconnexion de la batterie
2. Reliez le système CA à la prise de sortie CA.
3. Activez l'onduleur en positionnant l'interrupteur sur la position "•".
4. Lorsque le voyant de l'onduleur est vert, l'onduleur fonctionne.
5. Activez l'unité CA et observez le voyant ainsi que les LED

- Si le voyant LED est rouge, retirez les charges et redémarrez l'onduleur
 - Si le voyant LED n'est pas allumé, réduisez la charge CA. Si l'onduleur ne fonctionne toujours pas, consultez la section « Dépannage » de ce manuel.
 - Ne chargez jamais les câbles si la batterie est gelée.
 - Pour éviter les courts-circuits et la déformation des câbles, ne laissez jamais les bornes négatives et positive entrer en contact avec un élément métallique.
6. Après avoir terminé d'utiliser l'unité, ÉTEIGNEZ l'interrupteur de l'onduleur.
 7. Retirez les prises CA de la prise universelle CA du Solar e Power Cube
 8. Recharge le Solar e Power Cube dès que possible.

Remarque: le ventilateur externe fonctionne dès que l'onduleur est activé. Le ventilateur permet de maintenir la température interne du Solar e Power Cube à un niveau stable lorsque des unités requérant plus de tension sont connectés.

Prises 12V CC

Les prises CC peuvent alimenter une charge CC jusqu'à 15 ampères. Surcharger un port entraînera le déclenchement du disjoncteur. Retirez la surcharge automatiquement restaure la prise Ca une fois que le disjoncteur a refroidi.

ATTENTION—n'insérez aucun allume-cigare dans la prise. Ceci pourrait entraîner une surchauffe de la prise.

Pour utiliser la prise CA :

1. Ouvrez le cache de protection de la prise CC.
2. Insérez la prise 12V CC dans la prise CC.
3. ACTIVEZ l'interrupteur de déconnexion de la Batterie.
4. Faites fonctionner l'unité comme d'habitude.
5. Après avoir utilisé l'unité, débranchez la prise de l'unité de la prise CC et rangez votre unité.
6. Remettez en place le cache de protection.
7. ÉTEIGNEZ l'interrupteur de déconnexion de la batterie
8. Rechargez le Solar e Power Cube dès que possible.

Bornes des batteries externes

Des batteries externes peuvent être utilisées pour charger le Solar e Power Cube (jusqu'à 15 ampères). Certaines unités rechargeables sont équipées d'un chargeur CA individuel. Ces systèmes peuvent fonctionner correctement avec cet onduleur. Les systèmes rechargeables dotés de chargeurs intégrés (voir la notice de votre système) ne fonctionnent pas avec ce type d'onduleur. Certaines unités motorisées peuvent fonctionner à des températures plus élevées avec cet onduleur. Lors de la première utilisation de cet onduleur, vérifiez la température du moteur. Une température anormalement élevée du moteur indique qu'il ne fonctionne pas avec cet onduleur.

DURÉE DE FONCTIONNEMENT CA / ONDULEUR

Ci-dessous, vous trouverez les appareils CC qui peuvent être alimentés par le Solar e Power Cube. La durée de fonctionnement dépend du niveau de charge de la batterie et de la marque/ du modèle des appareils, toutefois la durée de fonctionnement peut être étendue par l'ajout de batteries externes au Solar e Power Cube. Ces valeurs peuvent varier en fonction de la température externe et des conditions climatiques de votre région. Vérifiez-les donc correctement avant de procéder au premier démarrage.

Produits CA*	Watts	Durée de Fonctionnement Prévus ¹
Radio	4	250 heures
Éclairage fluorescent compact	20	50 heures
Ordinateur portable	65	13 heures
Ventilateur de plafond	100	9 heures 30 minutes
Ordinateur avec écran 15 pouces	200	4 heures 18 minutes
Consoles de jeux vidéo Sony® Playstation® 3	200	4 heures 18 minutes
Téléviseur à écran LCD 40"	200	4 heures 18 minutes
Perceuse 1/2" ²	750	45 minutes
Micro-ondes ²	1000	30 minutes
Cafetière	1500 (Sortie maximum)	3 minutes

* Les données contenues dans ce tableau sont données sur la base de moyennes. Vérifiez les tensions exactes de vos unités pour des valeurs plus précises.

1. La durée de fonctionnement suppose une batterie pleinement chargée et une température ambiante de 25° C. Les résultats obtenus peuvent aussi varier en fonction des modèles/marques.
2. Suppose un fonctionnement en continu

DURÉE DE FONCTIONNEMENT CC

Ci-dessous, vous trouverez les appareils CC qui peuvent être alimentés par le Solar e Power Cube. La durée de fonctionnement dépend du niveau de charge de la batterie et de la marque/ du modèle des appareils. La durée de fonctionnement peut être étendue par l'ajout de batteries externes au Solar e Power Cube.

Produits CC*	Watts	Durée de Fonctionnement Prévus ¹
Téléphone intelligent	6	160 heures
Tablette électronique	12	80 heures
Climatiseur portable	30	30 heures
Compresseur à air	100	9 heures, 30 minutes

* Les données contenues dans ce tableau sont données sur la base de moyennes. Vérifiez les tensions exactes de vos unités pour des valeurs plus précises.

1. La durée de fonctionnement suppose une batterie pleinement chargée et une température ambiante de 25° C. Les résultats obtenus peuvent aussi varier en fonction des modèles/marques.

MISES EN GARDE/ DÉMARRAGE PAR CÂBLES

Les batteries remplies d'aide peuvent libérer des gaz explosifs. Le non respect des consignes livrées dans ce manuel peuvent provoquer des blessures graves, détériorer définitivement le matériel, voire des explosions.

- Suivez la séquence de connexion suivante, en faisant particulièrement attention à la polarité. La borne positive de la batterie est caractérisée par un diamètre plus large que celui de la borne négative. Sur la plupart des véhicules, il s'agit d'une borne de couleur rouge. Ne procédez à aucune opération tant que vous n'avez pas clairement identifié les bornes
- N'essayez pas de faire démarrer un véhicule au moyen de câbles si vous portez des vêtements en vinyle. L'électricité statique pourrait générer des étincelles et entraîner une inflammation.
- Retirez tout objet métallique (bague, colliers ou montres) lorsque vous touchez une batterie remplie d'acide. Un court-circuit pourrait provoquer de graves brûlures.
- Protégez-vous bien les yeux. Ne vous touchez pas les yeux lorsque vous manipulez une batterie ou vous tenez à proximité. L'acide de la batterie pourrait vous aveugler et/ou vous brûler sévèrement.
- Ne fumez pas lorsque vous manipulez les câbles.
- Ne chargez jamais les câbles si la batterie est gelée.
- Pour éviter les courts-circuits et la déformation des câbles, ne laissez jamais les bornes négatives et positive entrer en contact avec un élément métallique.
- Le Solar e Power Cube est destiné à un fonctionnement avec des unités 12V maximum.
- Ne manipulez les câbles que dans un endroit bien ventilé.
- Une surchauffe du moteur risquerait de l'endommager. Si le moteur ne démarre pas après plusieurs tentatives, arrêtez les tentatives de démarrage par câbles et référez-vous aux tableaux de dépannage.

PROCÉDURE DE DÉMARRAGE PAR CÂBLES

Les câbles de démarrage doivent être reliés aux bornes de la batterie CC via une batterie 12 Volts. Des câbles sont disponibles dans tous types de boutiques spécialisées. Consultez les procédures ci-dessus pour connaître la séquence de connexion à suivre pour un système NÉGATIF relié au sol (le plus typique sur les véhicules).

1. Suivez les consignes de démarrage par câbles ci-dessus
2. Vérifiez que le Solar e Power Cube est bien chargé.
3. Éteignez les accessoires de démarrage et le système de démarrage.
4. Vérifiez que le véhicule est stationné/ que le frein à main est enclenché.
5. Vérifiez que l'interrupteur de déconnexion est DÉACTIVE, et que l'onduleur du tableau de commandes est DÉACTIVE. Retirez les prises et les ports.
6. Positionnez le Solar e Power Cube suffisamment à distance de la batterie du véhicule et vérifiez que les câbles de démarrage ne sont pas en contact avec l'un des éléments en mouvement du véhicule.
7. Retirez le cache des bornes de la batterie et placez-le dans le boîtier de rangement.
8. Au moyen des câbles, reliez le câble ROUGE. (+) au terminal rouge du Solar e Power Cube.
9. Reliez l'autre "véhicule" au câble de couleur ROUGE (+) – à la borne positive du véhicule.
10. Reliez la borne NOIRE (-) à la borne NOIRE (-) du Solar e Power Cube.
11. Reliez le câble NOIR (-) du véhicule au châssis du moteur. Do Ne connectez pas la borne négative directement au terminal de la batterie.
12. ALLUMEZ l'interrupteur de déconnexion de la batterie.
13. Laissez quelques minutes au Solar e Power Cube pour que sa batterie charge celle du véhicule.
14. ALLUMEZ le démarreur du véhicule et activez le starter après que le moteur a démarré.
15. Si le véhicule ne démarre pas après sept tentative, débranchez les câbles et suivez les étapes 8 à 11 dans l'ordre inverse. Recherchez d'autres causes.
16. Si le véhicule démarre laissez le moteur chauffer 5 minutes pour que la batterie du Solar e Power Cube se charge. Une fois rechargé, suivez les étapes 8 à 11 dans l'ordre inverse
17. Éteignez l'interrupteur de déconnexion de la batterie..

Connexion à un véhicule relié positivement au sol

Si le véhicule doit être démarré via le sol (batterie interne reliée au châssis), remplacez les étapes précédentes par les suivantes:

10. Reliez la borne positive rouge (+) au châssis du véhicule ou à un composant métallique du véhicule. NE BRANCHEZ PAS DIRECTEMENT la borne de la batterie à un élément en mouvement.

11. Reliez la borne positive noire (-) au terminal négative du véhicule.

UTILISATION DU SOLAR E POWER CUBE POUR CHARGER LE VÉHICULE

ATTENTION—Ne laissez jamais le chargeur CC relié à l'allume-cigares lorsque vous tentez de démarrer le véhicule. Retirez le chargeur CC avant de démarrer le véhicule. Ceci évitera que le fusible de l'allume-cigare ne grille.

Dans certains cas, lorsque la batterie du véhicule a suffisamment de puissance pour faire démarrer le moteur, le chargeur CC peut servir à démarrer la batterie du véhicule. Vérifiez que le Solar e Power Cube est bien chargé. Suivez ensuite ce procédé:

1. Vérifiez que l'interrupteur de déconnexion est **DÉSACTIVE** et que tous les accessoires ont été déconnectés.
2. **ALLUMEZ** l'interrupteur de déconnexion.
3. Branchez l'un des chargeurs CC à l'allume-cigare du véhicule pour lancer le moteur. Vérifiez que les éclairages sont éteints, ainsi que les systèmes radio, afin de ne pas vider la batterie.
4. Branchez les deux prises CC au tableau de commandes du Solar e Power Cube.
5. Attendez 15 minutes que le Solar e Power Cube recharge la batterie du véhicule.
6. Retirez le chargeur CC de l'allume-cigare et avant de démarrer le moteur.
7. Si votre véhicule ne démarre pas, cherchez les autres causes.
8. Rangez le chargeur CC dans le boîtier.
9. Si le moteur ne s'enclenche pas, suivez les étapes précédentes.
10. Rechargez le Solar e Power Cube dès que possible.

OPTIONS D'EXTENSION

Ajout de batteries au système

Certaines unités rechargeables sont équipées d'un chargeur CA individuel. Ces systèmes peuvent fonctionner correctement avec cet onduleur. Les systèmes rechargeables dotés de chargeurs intégrés (voir la notice de votre système) ne fonctionnent pas avec ce type d'onduleur. Certaines unités motorisées peuvent fonctionner à des températures plus élevées avec cet onduleur. Lors de la première utilisation de cet onduleur, vérifiez la température du moteur. Une température anormalement élevée du moteur indique qu'il ne fonctionne pas avec cet onduleur.

ATTENTION – BATTERIE EXTERNE

- Pour éviter les courts-circuits et la déformation des câbles, ne laissez jamais les bornes négatives et positive entrer en contact avec un élément métallique.
- Le Solar e Power Cube est destiné à un fonctionnement avec des unités 12V maximum.

- Une surchauffe du moteur risquerait de l'endommager. Si le moteur ne démarre pas après plusieurs tentatives, arrêtez les tentatives de démarrage par câbles et référez-vous aux tableaux de dépannage.
- Installer un fusible 100A sur la ligne positive.

Raccordement d'une batterie externe – procédure

1. ÉTEIGNEZ l'interrupteur de déconnexion
2. Localisez les bornes sur les roues. Installez 100A fuse in positive line.
3. Installer un fusible 100A sur la ligne positive.
4. Desserrez les caches des batteries et reliez-les aux bornes de la batterie du Solar e Power Cube. Vérifiez que la connexion est stable.
5. Avec un voltmètre, vérifiez que la tension aux bornes de la batterie est correcte.
6. ALLUMEZ l'onduleur et relevez la tension aux bornes de la batterie.
7. ALLUMEZ la batterie du Solar e Power Cube si les batteries sont déconnectées.

ATTENTION-DÉCHARGEMENT DE LA BATTERIE:

Une fois l'interrupteur de déconnexion de la batterie DÉSACTIVÉ, le Voltmètre numérique indique la tension aux bornes de l'onduleur. Il est important de vérifier la tension de la batterie externe afin d'éviter qu'elle ne se décharge.

Relais à la batterie interne

La batterie interne du Solar e Power Cube peut être relayée par les fonctions de charge du Solar e Power Cube. Cela ne s'applique pas à tous les systèmes CA et CC. Vérifiez donc la compatibilité.

1. Éteignez l'interrupteur de déconnexion de la batterie.
2. Reliez les bornes de la batterie aux bornes du Solar e Power Cube.
3. Utilisez le Solar e Power Cube selon vos préférences

Remarque : Ne pas dépasser 80A (960W) de courant absorbé lors du contournement de la batterie interne.

AJOUT DE PANNEAUX SOLAIRES

Il existe deux façons d'ajouter des panneaux solaires au Solar e Power Cube. Une façon consiste à ajouter des panneaux en utilisant le régulateur de charge intégré et en observant le seuil de wattage/Ampères. Si le Solar e Power Cube dispose de batteries aux capacités supérieures à 100 ampère/heure, d'autres panneaux solaires peuvent être ajoutés, jusqu'à un total de 300 watts, avec régulateur supplémentaire externe.

Utilisateur du régulateur de charge intégré

D'autres panneaux solaires peuvent être ajoutés au Solar e Power Cube au moyen des bornes des panneaux. Ajouter des panneaux solaires permet de réduire la durée de charge. Le

régulateur de charge supporte au maximum 20 ampères, entre 16 et 22 Volts. Ne branchez pas plus de 300W de panneaux, y compris les 80W de panneaux déjà fournis. Ceci causerait une surcharge du régulateur de charge et annulerait le processus de charge.

Utilisation du régulateur et des panneaux

D'autres panneaux solaires, s'ils sont dotés d'un régulateur intégré, peuvent être reliés via les bornes de la batterie. Cependant, il est conseillé de ne pas faire dépasser la charge interne totale de 10 ampère lorsque l'interrupteur de déconnexion est ACTIVE.

Si vous utilisez des batteries externes, les panneaux solaires supérieurs à 300W et le régulateur peuvent être reliés via le Solar e Power Cube, si l'interrupteur de déconnexion est bien DÉSACTIVE (ouvert) afin de ne pas endommager la batterie interne.

MAINTENANCE

L'entretien du Solar e Power Cube se résume à un ensemble de tâches assez simples. Chargez entièrement la batterie et retirez toute la poussière/les saletés qui peuvent s'y accumuler.

Nettoyage

Lorsque le Solar e Power Cube est débranché de toutes les prises électriques et que tous les ventilateurs sont éteints, vous pouvez aspirer doucement l'intérieur des ouvertures afin de retirer la poussière.

Les panneaux solaires doivent être nettoyés périodiquement lorsque vous les utilisez régulièrement ou que vous les stockez sur une longue période. Vérifiez vos panneaux toutes les semaines ou après une tempête, afin de vous assurer qu'ils sont en bon état.

- Vérifiez que la poussière ne s'est pas trop accumulée ou qu'aucun oiseau n'est emprisonné.
- Au moyen d'une brosse à poils souples, retirez la poussière et les débris des panneaux.
- Nettoyez le verre et le cadre au moyen d'un chiffon doux et humide. Utilisez de l'eau savonneuse au besoin.
- Séchez les panneaux avec un chiffon doux et sec. Les panneaux solaires sont plus efficaces lorsqu'ils sont propres.
- Vérifiez que les câbles et les raccordements des panneaux solaires sont corrects. Ils peuvent devenir lâches à cause des changements climatiques extérieurs.
- Lorsque vous ne les utilisez pas, rangez les panneaux solaires à l'abri.

Changer les fusibles—Chargeur CC

Le chargeur CC est doté d'un fusible 15A à chaque extrémité. Pour remplacer un fusible, dévissez simplement le fusible et remplacez-le. Si le fusible est grillé, remplacez-le avec un fusible 15 ampères du même type et de même tension.

DÉPANNAGE

PROBLÈME	CAUSE POSSIBLE	SOLUTION
Aucune sortie CA, le voyant vert ne clignote pas, le voltmètre indique moins de 10 volts	Tension de la batterie trop faible	Réduisez la charge CA et chargez la batterie du Solar e Power Cube
	Charge CA excessive	
Aucune sortie CA, aucun affichage	L'interrupteur de déconnexion de la batterie est ÉTEINT.	ALLUMEZ l'interrupteur
Aucune sortie CA, les prises 12 volt ne fonctionnent pas, les ports USB fonctionnent. L'interrupteur de l'onduleur est ACTIVE	L'onduleur ne fonctionne pas	Contactez l'Assistance Technique de Wagan Tech
Extinction/Allumage des ports de sortie 12 Volts CC	La prise CC est surchargée.	Réduisez la charge CC.
Interférence avec un téléviseur	L'image est mauvaise (statique)	Placez le Solar e Power Cube aussi loin que possible de la télévision, de l'antenne et du câble coaxial
		Le poste de télévision est peut-être abîmé ?
Interférences sonores/ statiques avec les appareils audio	Le son est affaibli et est mal retransmis	N'utilisez pas l'onduleur avec des systèmes audio dont le filtrage CA est de mauvaise qualité.
		Remplacez le système audio par un système dont le filtrage est correct.
La durée de fonctionnement est plus courte que prévue	Le Solar e Power Cube n'est pas entièrement chargé	Chargez au moyen du chargeur CA.
	La consommation électrique est supérieure à celle prévue.	Vérifiez la tension ou le "wattage" et comparez-les avec les tableaux de la rubrique "Durée de fonctionnement de la batterie" e ce manuel
Le voyant lumineux de charge est ÉTEINT lorsque le chargeur CA est connecté	Aucune tension électrique au mur.	Vérifiez que la prise murale est bien connectée au courant.
Le chargeur CC ne fonctionne plus	Fusible grillé	Remplacez le fusible grillé.

RECYCLAGE/ MISE AU REBUS

Le Solar e Power Cube contient des substances dangereuses qui ne peuvent être libérées dans la nature et doivent être recyclées. Ces substances regroupent: les batteries remplies d'acide, différents composants des panneaux solaires et certains composants de l'onduleur. Contactez les autorités locales pour connaître les méthodes de recyclage/mise au rebus à votre disposition.

CARACTÉRISTIQUES

Les caractéristiques de l'unité peuvent être modifiées sans préavis.

Caractéristiques d'expédition

Dimensions (panneaux solaires rétractés/plies/ refermés)	20,9 x 20,9 x 14,7 pouces. (53 x 53 x 37 cm)
Poids	116,6 livres (53 kg)
Garantie —voir la garantie au dos de ce manuel	2 ans

Batterie et prises 12 Volt CC

Type de batterie interne	Batterie à acide AGM avec GEL
Tension interne de la batterie (nominale)	12V
Capacité de la batterie interne	100 Ah
Charge maximum via une prise 12 volt CC (alimentation en continu)	15A
Disjoncteur CC (interne, reconfiguration automatique)	15A
Courant de sortie maximum (USB)	2,0A

Onduleur

Article n° 2547

Article n° 2547-7

Tension de sortie CA (interne)	115V CA	220V CA
Fréquence de sortie CA	60 Hz ± 4 Hz	50 Hz ± 4 Hz
Alimentation électrique CA en continu (sortie)	1500W (3 minutes sans piles supplémentaires)	
Sonde CA temporaire	3600W	
Onde de sortie CA	Onde sinusoïdale modifiée	
Câble de batterie sans charge/sortie	Inférieur à 0,5A	
Température de stockage/rangement	32–104 °F (0–40 °C)	
Déclenchement de l'alarme (nominale)	10,5 V ± 0,5V	
Extinction de la batterie (nominale)	9,5 V ± 0,5V	

Chargeur CA

Tension d'entrée CA	100–240V CA
Fréquence d'entrée CA	50–60 Hz
Tension de sortie CC	Pour batteries 12 volts
Courant de sortie CC – courant maximum	5,0 ampères
Chargeur CC- voyant LED (rouge/vert)	Rouge—en charge Vert—charge terminée/poursuite de la charge
Raccordement de sortie	Prise CC (automobile)

Chargeur CC

Longueur du câble CC	100 cm (39 pouces.)
Fusible interne CC	15A

Panneaux solaires et régulateur de charge des panneaux solaires

Panneaux actifs (5 × 16 watts)	Monocristalline
Échelle de sortie	16–22 volts
Panneau/ Wattage maximum	80 watts
Efficacité des panneaux	17%
Régulateur intégré aux panneaux solaires	300W
Tension max. des panneaux	20A

Garantie Limitée de WAGAN Corporation

La garantie de WAGAN Corporation est limitée aux produits vendus uniquement aux États-Unis.

Durée de la garantie :

Le produit est garanti à l'acheteur original pour une période de deux (2) années à compter de la date d'achat originale, de toute défectuosité de matériau ou de main d'œuvre. WAGAN Corporation décline toute responsabilité pour tout dommage conséquent. En aucun cas, WAGAN Corporation ne sera responsable pour tout montant en dommage supérieur au montant payé pour le produit au prix de détail.

Garantie de performance:

Pendant la période de garantie, un produit défectueux sera remplacé par un modèle comparable lorsque le produit est retourné à WAGAN Corporation avec un reçu original du magasin. WAGAN Corporation remplacera ou réparera, à sa discrétion, la pièce défectueuse. Le produit de remplacement sera garanti pour le reste de la période originale de garantie. Cette garantie ne s'applique à aucune unité qui a été utilisée contrairement aux instructions écrites fournies.

Limitations de la garantie :

Cette garantie remplace toute garantie explicite ou implicite et aucun représentant ou personne n'est autorisé à assumer toute autre responsabilité en lien avec la vente ou les produits. Les réclamations ne sont pas valides pour la défectuosité ou la défaillance de fonctionnement ou la défaillance du produit sous tout autre principe de droit ou d'équité, contrat ou loi commerciale, incluant mais non limité, à la négligence, grossière négligence, responsabilité absolue, bris de garantie et bris de contrat.

Retours :

WAGAN Corporation n'est pas responsable pour tout article retourné sans un numéro de renvoi officiel (N° RA). Veuillez contacter notre service à la clientèle par téléphone ou par courriel pour obtenir un N° RA. Vous pouvez également visiter notre site Web et clavarder avec un membre de notre équipe pendant nos heures d'ouverture. Pour obtenir plus de détails et des instructions pour faire une réclamation couverte par la garantie, veuillez lire la section « Retour » dans la page « Contact » de notre site Web. WAGAN Corporation n'est pas responsable pour tout frais d'expédition pour le renvoi de tout article à notre entreprise pour réparation ou remplacement.

Enregistrez votre produit en ligne à : <http://tinyurl.com/wagan-registration> pour être ajouté à notre liste d'envoi. Vous recevrez les aperçus sur nos produits, promotions et événements.

©2015



www.wagan.com
customerservice@wagan.com
Tel: +1.510.471.9221
U.S.A. & Canada: 1.800.231.5806

31088 San Clemente Street
Hayward, CA 94544
U.S.A.

©2017 Wagan Corporation. All Rights Reserved
Wagan Tech and *wagan.com* are trademarks used by Wagan Corporation

© Corporación Wagan 2017. Todos los derechos reservados
Wagan Tech y *wagan.com* son marcas registradas de la Corporación Wagan

©2017 Wagan Corporation. Tous droits réservés
Wagan Tech et *wagan.com* sont des marques de commerce utilisées par Wagan Corporation

REV20171129-ESF