

# IMPORTANT INSTRUCTIONS & OPERATING MANUAL

## Luxey42,Luxey 50,Luxey 50 WH, Luxey 60,Luxey 72,Luxey 84,Luxey 95



 **WARNING**

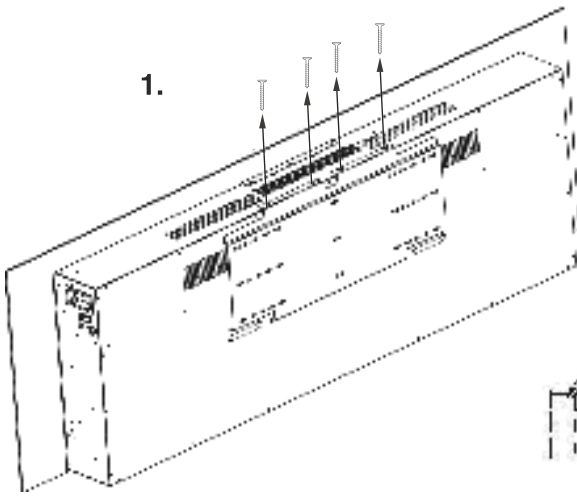
Read and understand this entire owner's manual, including all safety information, before plugging in or using this product. Failure to do so could result in fire, electric shock, or serious personal injury.

 **CAUTION**

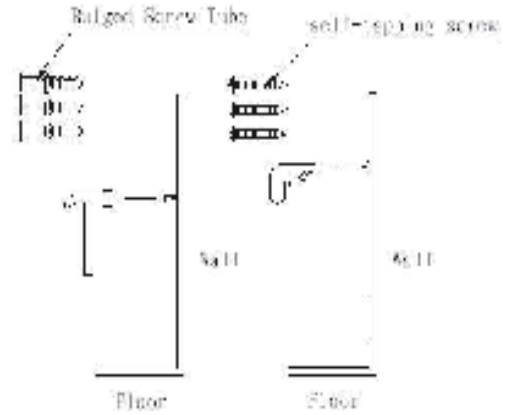
Keep this owner's manual for future reference. If you sell or give this product away, make sure this manual accompanies this product.

**NO VENTING REQUIRED**  
120V AC; 60 Hz; 1500 Watts

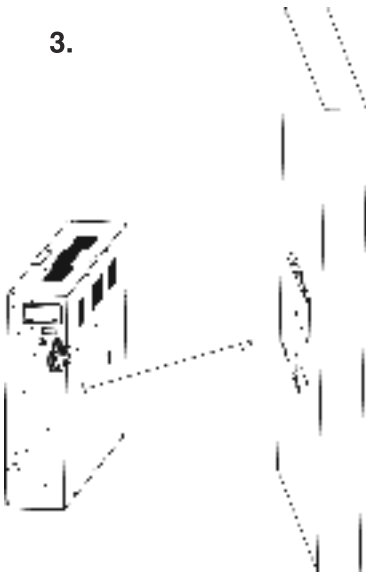




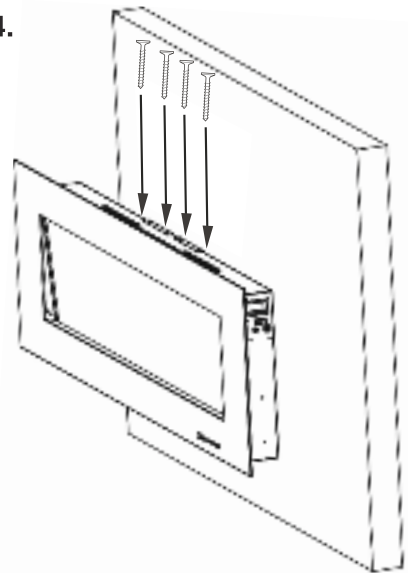
2. First make the bulged screw tube on the wall, second put the wall hanging on the wall, third fix the wall hanging by self-tapping screws.

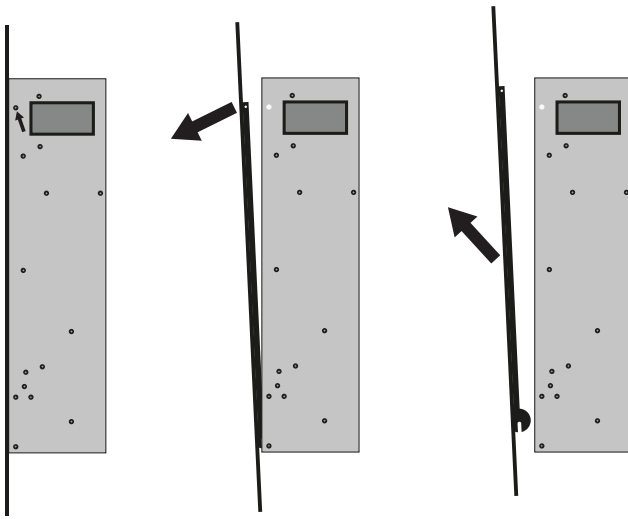


3.



4.

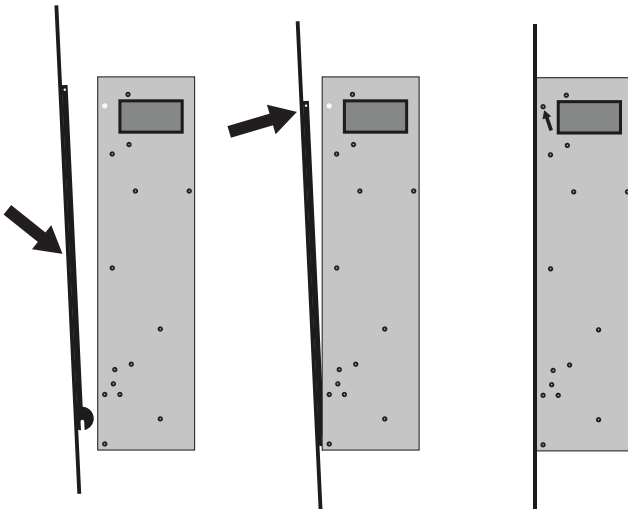
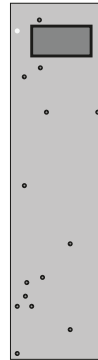




Used for Lexey 42, Lexey 60



Used for Lexey 72, Lexey 95





## GENERAL SAFETY INFORMATION

**When using this fireplace, basic precautions should always be taken to reduce the risk of fire, electric shock and injury to persons, including the following:**

**CAUTION** – Due to the high temperature, keep electrical cords, drapery and other furnishings at least 3 feet from the front, side and rear of the fireplace.

1. Carefully read all instructions before using the fireplace and retain for future reference.
2. Remove the unit from its packaging and check to make sure it is in good condition before use.
3. Do not let children play with any parts of the packing (such as plastic bags, etc.).
4. Check the household voltage to ensure that it matches the fireplace's rated specification.
5. Before using the fireplace, carefully check the power cord and plug for any damage.
6. Be sure that the room is equipped with a working smoke detector.
7. Before unplugging the power cord, turn off the power. When touching the unit, keep your hands dry to prevent electric shock.
8. Do not place the fireplace near curtains or other inflammable objects. Keep combustible materials, such as pillows, bedding, papers, clothes, and curtains at least 3 feet away from the front, side and rear of the fireplace.
9. Do not block air intakes or exhaust in any manner to prevent fire.
10. Do not use on soft or uneven surfaces, like a bed, where openings may become blocked.
11. Exhibit extreme caution when any fireplace is in the vicinity of children and infants.
12. Never leave children or infants unattended while the fireplace is on or plugged in.
13. When not in use, always unplug the fireplace.
14. Prevent water from entering the housing of the fireplace during operation or while in storage.
15. Always store the fireplace in a dry area free from any moisture. This fireplace is not intended for use in bathrooms, laundry areas, or similar indoor locations. Never place the fireplace where it may fall into a bath tub or get exposed to water in any way.
16. Do not use in places where gasoline, paint, or other inflammable liquids are used or stored.
17. Do not run the cord under carpets. Do not cover the cord with throw rugs, runners, or similar products. Arrange the cord away from traffic areas such that it will not be tripped over by anyone.
18. Do not operate any fireplace with a damaged cord, a damaged plug, after the fireplace malfunctions, or if it has been dropped or damaged in any manner. Return the fireplace to an authorized service facility for examination, electrical or mechanical adjustment, or repair.
19. Do not insert fingers or allow foreign objects to enter any ventilation or exhaust opening as this may lead to an electric shock or fire, or may even damage the fireplace.
20. This fireplace becomes hot during use. To avoid burning, do not let bare skin touch hot surfaces. If necessary, use the handles when moving this fireplace.
21. Use this fireplace only as described in this manual. Any other uses not recommended by the manufacture may cause fire, electric shock, or personal injure and may void warranty privileges.
22. Always plug fireplaces directly into a wall outlet. Never use an extension cord, power strip, surge protector, multiple outlet adapter, cord reel or outlet-type air freshener. The use of such devices creates a fire hazard.

23. Faulty wall outlet connections may cause the wall outlet to overheat. Be sure that the fireplace plug properly fits into the outlet before each use. During use, make sure the fireplace plug does not overheat. If necessary, have a qualified electrician check and / or replace the wall outlet.
24. Do not place the fireplace near a bed for objects such as pillows or blankets can fall from the bed and be ignited by the fireplace.
25. Never clean this fireplace while it is plugged in. To disconnect, turn off the control, then remove the plug from the outlet. Never pull the cord. Always hold the plug firmly and then remove from the outlet.
26. This fireplace is intended for supplemental heat and / or decorative purposes. Continuous use for several hours can impact the performance and life of the fireplace.
27. It is not intended to be used in commercial, industrial or agricultural settings.
28. Do not use outdoors.

### **Getting Started**

- Remove the fireplace from the box.
- Remove the packaging. Place it inside the box or safely dispose elsewhere.

### **Package Contents**

- Electric Fireplace
- Screws and Screw Anchors
- Remote Control
- Instruction Manual

### **Features**

- Wide screen wall mount fireplace
- LED technology for realistic flame effect
- Soothing, mesmerizing logwood flame effect
- Dual heat setting (750Watts / 1500Watts)
- Built-in timer
- Flames operate with & without heat
- Adjustable flame brightness
- Heat resistant tempered glass panel
- Built-in overheating protection, auto safety shut-off
- 1500 Watts

### **Quick Reference Guide**

- Prior to installation, please ensure that the voltage and capacity of your power outlet is compatible with your fireplace.
- Your fireplace may emit a slight, harmless odor during its first use. This odor is a normal reaction caused by the initial heating of internal fireplace parts and it will not occur again.
- It is normal for fireplace to make a rattling sound for a short duration of time during its first use.
- If your fireplace does not emit heat, please ensure the fireplace switch is on. For further information, please refer to the Troubleshooting section of this manual.

### **Helpful Advice Before Installation**

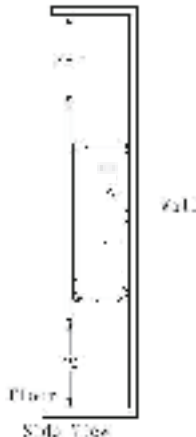
- Please retain all packaging until you have checked and counted all the parts and other package contents.
- The package contains small apparatus which should be kept away from young children and infants.
- We suggest that you move all the smaller parts into a container to reduce the risk of losing them.
- At least 2 people are required to install this fireplace.
- It is recommended to place your fireplace near an existing outlet, for ease of electric connection.
- Store your fireplace in a dry, safe and dust-free place while drilling, for fireplace installation.
- Do not attempt to wire new outlets or circuits. To reduce the risk of fire, electric shock or injury to persons, always have a licensed electrician perform maintenance and other repairs.
- Connect to properly grounded outlet only

### Tools Needed

- Power drill
- Screwdriver

### Installation

- Do not connect the fireplace to the power supply until properly fixed to the wall and the instructions are carefully read.
- Make sure the area to be drilled does not have any hidden electrical wires or water and gas pipes.
- The minimum distances must be observed as shown in the diagrams below.
- During installation of the fireplace, avoid any possible damage to concealed cables.
- Please be careful when drilling holes.
- This fireplace is designed to be permanently fixed to a wall. Choose a wall that is sturdy enough to hold the weight of the fireplace such as a brick or cinder block wall. If positioning on drywall, it must be fixed to studs. If you are not sure if the wall is stable enough, then consult a hardware expert. The wall bracket must be fixed horizontally with the cable routed to the bottom right of the fireplace.
- For optimum viewing of the fuel bed, it is recommended that there be a distance of 2 feet from the bottom of the fireplace relative to the floor (see figure for recommended fixed dimensions).



### Step One

- Keep the top of the fireplace at least 3 feet away from the ceiling or other objects for optimum heat ventilation.
- For optimum viewing, place four marks on the wall with respect to the recommended fixed dimensions for the top screws (see figure on next page).
- Note: use a level when marking the positions of the holes to ensure that the bracket is mounted horizontally.

## Step Two

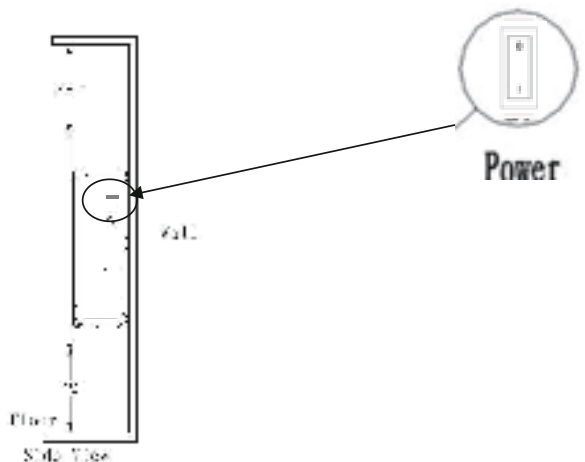
- Make sure the area to be drilled does not have any hidden electrical wires or water and gas pipes.
- The wall fixings provided is for concrete walls only; please use suitable fixings for your wall type. If in doubt, contact a qualified hardware expert.
- Place the three bulged screw tubes into the drilled holes and then screw in the self-tapping screws. Screw the extended wooden screws into the 0.20" screw anchors so they protrude out of the wall to angle the fireplace. Make sure that the screws are secured in place.
- Have 2 people lift the fireplace and hook it onto the mounted bracket.
- Check the fireplace for stability to see if it is securely mounted.

## Instructions for Use

This fireplace can be operated either by the switches located on the right side panel of the fireplace or the supplied remote control.

## Turning On

- Plug the fireplace into a power outlet.
- Turn on the power switch which is located on the right side of the fireplace.







### Remote Control

- The remote control requires 2 AAA batteries, which are not included.
- Point the remote control directly at the fireplace.
- The range is about 11.5 feet.

### Troubleshooting

Problem	Possible Solution
Unit does not work / does not heat	<ul style="list-style-type: none"> <li>• Check if the unit is plugged in the power outlet.</li> <li>• Check if the unit is in Standby mode. If so, turn the unit ON.</li> <li>• Check if the heat is turned OFF.</li> <li>• Check for safety cut-off operation.</li> </ul>
No flame effect	<ul style="list-style-type: none"> <li>• Check if the unit is plugged in the power outlet.</li> <li>• Check if the unit is in Standby mode. Turn the unit ON.</li> </ul>

## Cleaning

Warning: The unit must be unplugged from the power supply prior to any maintenance or cleaning in order to reduce the risk of electric shock or fire.

### General cleaning instructions

- The housing may be wiped with a slightly damp, lint-free cloth. Do not use any abrasive scouring pad or steel wool.
- Do not use detergents or cleaning products.
- If necessary, dust particles accumulated in the air outlet openings may be removed with a vacuum cleaner.

In order to preserve our environment and protect human health, the waste electrical and electronic equipment should be disposed of in accordance with specific rules with the implication of both suppliers and users. For this reason your appliance should not be disposed of as unsorted municipal waste. The user has the right to bring it to a municipal collection point performing waste recovery by means of reuse, recycling or use for other applications in accordance with the directions.

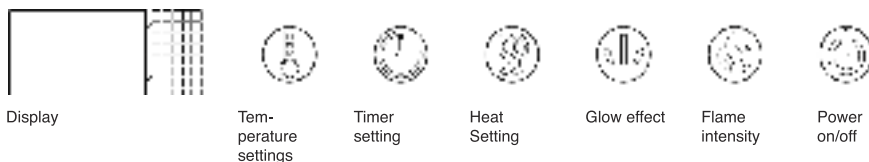
# Touch screen panel operation

The appliance can be operated either by the touchscreen located on the front of the fireplace heater or by the supplied remote control. All the functions of the remote are the same as on the touchscreen.

## Master switch

Master switch control the power supply to the appliance. Turn the switch to “I” to connect power and turn the switch to “O” to cut the power. There will be chiming sound when turning to “I”.

**NOTE: Holding the Temperature settings down for 10 seconds on the unit, will change the temperature from °C to °F.**



### Power on/off

Touch the button once (icon will be light up) to turn on power for all functions. Then touch the button once more to turn all functions off.



### Flame effect

Touch the button will show F1,F2,F3 to different colors option.



### Glow effect

Touch the button will show C1,C2,C3 to different colors option.



### Heat settings

This fireplace consist of a fan forced electric heater with two heat setting, 750W (“LO” shown in display) and 1500 W (“HI” shown in display). Touch the button once (the icon will light up) to activate the heater at low level (750W). Touch the button once more to active the heater at high level (1500W). When set in high level, touch the button once to deactivate the heater.

Note: The fan will continue to run for a short time and turn off automatically after the heater is turned off.



### Timer settings

This fireplace is equipped with a timer ranging from 1hr to 9hrs (1H, 2H....9H shown in display). Touch the button once for every 1hr increasement. Do not leave heater unattended.



### **Temperature settings / thermostat control**

Adjusts the temperature set point to your individual requirements.

Once the desired set temperature is reached the heater will turn off.

The heater will cycle on and off to maintain the desired set temperature.

## **Warranty**

You have 1 year warranty on your electric fireplace after time of purchase.

## LIMITED WARRANTY

This warrants to the original purchaser that this product is free from defects in material and workmanship as of the date of purchase and that it will, under normal use and proper care, remain so for one year from the date of purchase. Missing or initially defective parts will be replaced free of charge during the period of this limited warranty. If parts are unavailable, comparable replacement of refund will be given. **The original dated sales receipt is required for all warranty claims.** This warranty does not cover damage which has occurred during transport from the point of purchase to the consumer's home. This warranty does not cover glass, light bulbs, batteries, transportation, labor, or other issues not associated with the manufacture of the product.

**This product is for residential use only. Any and all commercial use of this product voids all warranties, and absolves the manufacturer from all liability.**

Read and understand all assembly and operating instructions, and all safety information and warnings, before use. The following will void this warranty: Damage caused by tampering, modifying, or altering the fireplace insert in any manner; Damage due to incorrect assembly, improper care, misuse, or abuse; Damage from being used with the wrong power source; Water damage; Damage caused from this insert being used outdoors; Damage caused by using for excessive periods of time; Damage caused by the insert being used in a commercial application; Damage from use as a primary heat source; Other misuse or abuse not specifically listed herein.

**This product is not intended to be used as a primary heat source. It is for supplemental heating purposes only.**

Model:Luxey 42,Luxey 50,Luxey 50 WH,Luxey 60,Luxey 72,Luxey 84,Luxey 95  
Power supply:120V-60Hz  
Power consumption: 1500W  
Protection class: I  
Light bulb: LED

Thank you for purchasing this product! If you have questions about assembly or operation of this product, are missing parts, or if the product is damaged, please e-mail us at:

**[customerservice@valuxhomeproducts.com](mailto:customerservice@valuxhomeproducts.com)**

Tel.: 302-887-0290

