



Retractable Cord Reel Operator's Manual



WARNING:

Read carefully and understand all **INSTRUCTIONS** before operating. Failure to follow the safety rules and other basic safety precautions may result in serious personal injury. Save these instructions in a safe place and on hand so that they can be read when required. Keep these instructions to assist in future servicing.



GENERAL SAFETY REGULATIONS

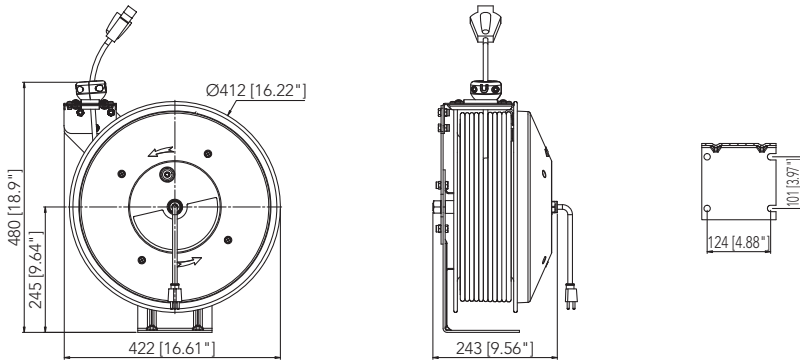


WARNING: The warnings, cautions, and instructions discussed in this instruction manual cannot cover all possible conditions or situations that could occur. It must be understood by the operator that common sense and caution are factors that cannot be built into this product, but must be supplied by the operator.

1. Ensure that only the qualified electrician can install/services this cable reel. And it must not be permitted by children or unskilled persons.
2. Ensure that power supply voltage does not exceed maximum voltage rating of reel.
3. Ensure that reel is properly installed before connecting to power supply.
4. Ensure that all electrical power is removed from reel before servicing.
5. Check for frayed and broken wires before each use.
6. When pull electrical cable from the reel always grasp the electrical cable itself, not the work device.
7. Remove power from the reel immediately when any malfunction occurs.
8. Never remove, tamper with or cut out the safety devices fitted by the manufacture.
9. Do not use the reel in damp or wet conditions. Keep the work area is clean. Avoid put in sundries in cable reel.
10. Nor for in hazardous location or above hazardous location use.

TECHNICAL DETAILS

Item No.	AWG	Cord Length	Volt.	Ampere	Cord Type	Lead-In Cord Length
GUR071	12	80ft.	125V	15A	SJTOW	5ft.



INSTALLATION

1. The reel must be installed in premises conforming to current regulation and standards covering electrical systems and work environments.
2. Secure the reel to the wall and the ceiling according to the installation diagrams. Using screw anchors or suitable screws which must be fitted in the holes in the brackets.
3. If it is necessary to adjust the position of the stopper, first pull the cable out of the guide frame for a distance and lock the drum. Loosen the stopper with wrench, adjust to the required position, and lock the screw.
4. The reel is supplied with a hose guide roller bracket. The bracket position may be changed depending on the reel mounting position. Figure 2 shows "Typical Mounting Positions". If bracket position needs to be changed, do the following:
 - (1) Pull out some cable and let reel latch.
 - (2) Remove the bolts that attach the guide roller bracket to the support post.
 - (3) Rotate guide roller bracket to correct position, replace bolts and tighten.

Typical installation of GUR071

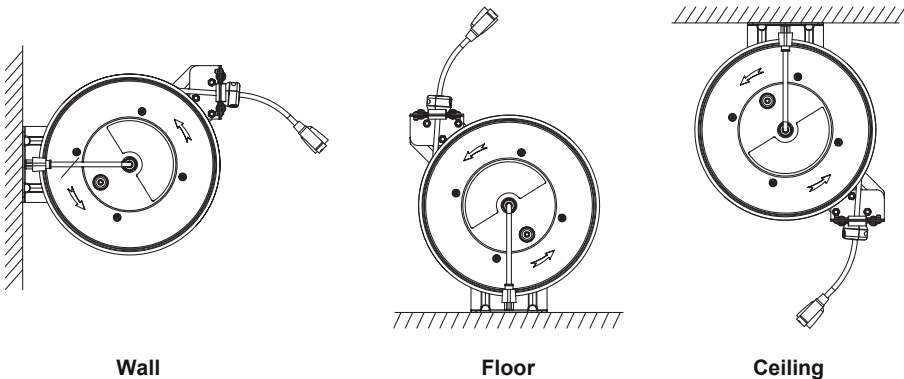


Fig.2

OPERATION

1. Check reel for correct operation by slowly pulling out cable. A “clicking” noise will be heard every half revolution of the drum.
2. To latch the reel, pull out the cable and allow it to retract after hearing the first second or third “click”.
3. To unlatch, slowly pull out the cable until the “clicking” noise stops, then let cable retract until the bumper block rests against the cable guide.
4. When over loading, the supplementary protector will cut off automatically, then push the button until restore.

Note: To avoid damage to the reel, always hold on to the cable while it is rewinding.

MAINTENANCE

1. Make sure the cable is in proper working order and that the insulation is not cut or worn as this could represent a hazard and jeopardize operation.
2. Clean the cable with a cloth dipped in warm water to remove dirt or deposits and ensure correct rewinding.
3. Do not use detergents or solvents which could prove incompatible with cable-winder materials.
4. If the event of having to perform maintenance on the electrical, mechanical parts or replace the cable, contact an authorized after-sale service center.
5. Dismantling of the unit by unskilled personal could prove hazardous; the risk involved mainly concern the preloaded springs.

LIMITED WARRANTY

1. The manufacturer warrants this cable reel against defects in material and craftsmanship, for a period of 12 months from date of purchase.
2. Manufacturer's liability is limited to replacement or repair of defective material within the warranty period, when returned freight prepaid to the distributor or their designated service depot.
3. The warranty does not cover damage caused by accident, misuse or faulty installation.
4. The reel must be installed and maintained in compliance with the instructions.

WARNING

Your risk from these exposures varies, depending on how often you do this type of work. To reduce your exposure to these chemicals: work in a well ventilated area, and work with approved safety equipment, such as those dust masks that are specially designed to filter out microscopic particles.

OTHERS

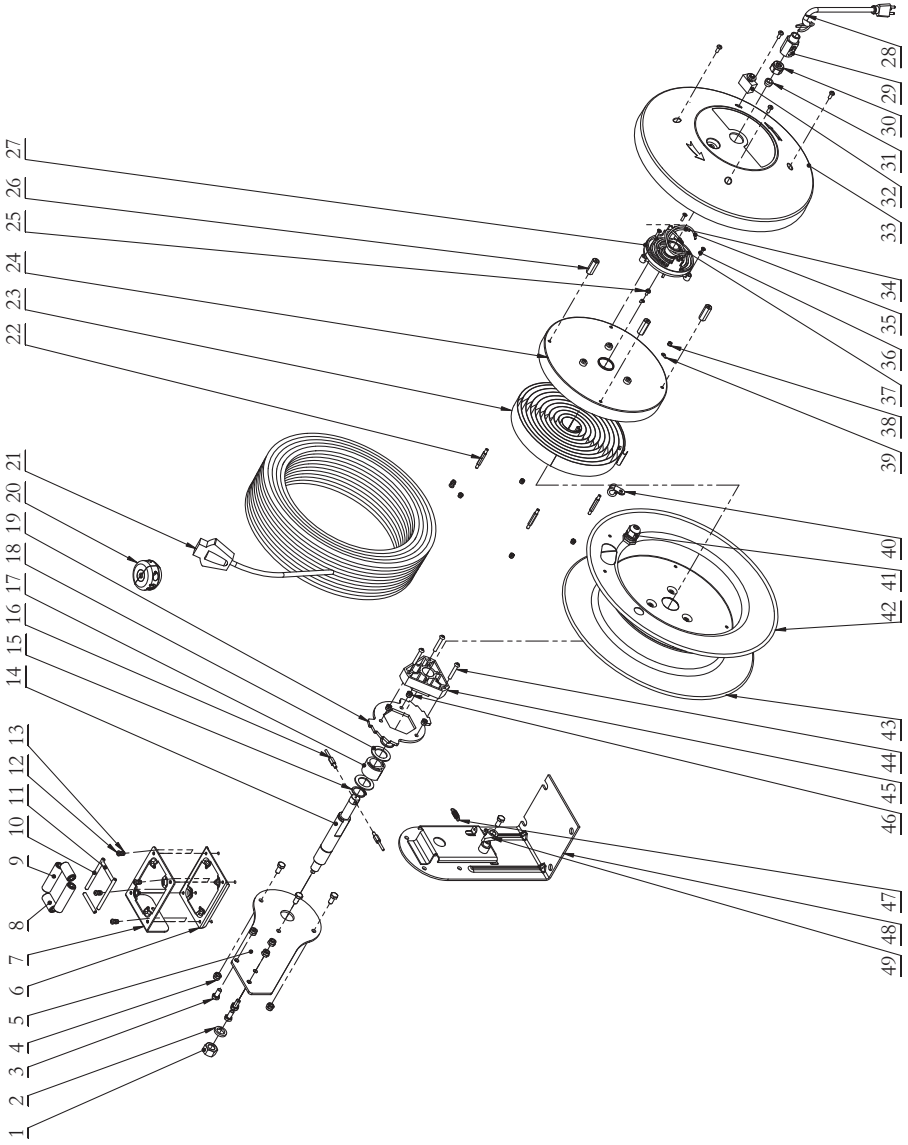
Transportation

During the transportation, the products should be protected from direct sunlight and rain. It is forbidden to contact with corrosive substances and mix loading.

Storage

1. Storage temperature range: - 4°F (- 20°C) to 140°F (60°C)
2. Storage period: 6 months.
3. Storage conditions: the warehouse shall be well ventilated, avoid direct sunlight and rain, and shall not contact with corrosive substances.

EXPLODED AND PARTS LIST



Part No.	Description	Q'ty	Part No.	Description	Q'ty
1	Nut	1	26	Connecting column	4
2	Washer	1	27	Plate assembly	1
3	Hexagon screw	8	28	Lead-in cord assembly	1
4	Nut	7	29	Cord connector	1
5	Guide arm	1	30	Locking nut	1
6	Guide platen	1	31	Compression plug	1
7	Guide frame	1	32	Protector	1
8	Short roller	2	33	Protecting cover	1
9	Long roller	2	34	Connecting cord	1
10	Long guide axle	2	35	Connecting cord	1
11	Short guide axle	2	36	Screw	3
12	Screw	9	37	Ground cord	1
13	Nut	9	38	Screw	1
14	Main axle	1	39	Grounding sign	1
15	Shaft ring	2	40	Hoop	1
16	Screw rod	2	41	Cord connector	1
17	Spring buckle	1	42	Drum(With holes)	1
18	Washer	2	43	Drum	1
19	Ratchet plate	1	44	Screw	3
20	Cord stopper assembly	1	45	Plastic triangle sleeve	1
21	Cord assembly	1	46	Nut	3
22	Double end stud	4	47	Tension spring	1
23	Spiral spring	1	48	Base assembly	1
24	Spring assembly	1	49	Ratchet	1
25	Screw assembly	2			



Great Circle USA
Support Line: 1-866-493-0524
help@greatcircleus.com
www.greatcircleus.com