

ReelWORKS[®] The Reel Expert

Professional Cord Reel Instruction Manual



WARNING:

Read carefully and understand all **INSTRUCTIONS** before operating. Failure to follow the safety rules and other basic safety precautions may result in serious personal injury. Save these instructions in a safe place and on hand so that they can be read when required. Keep these instructions to assist in future servicing.



GENERAL SAFETY REGULATIONS



WARNING: The warnings, cautions, and instructions discussed in this instruction manual cannot cover all possible conditions or situations that could occur. It must be understood by the operator that common sense and caution are factors that cannot be built into this product, but must be supplied by the operator.

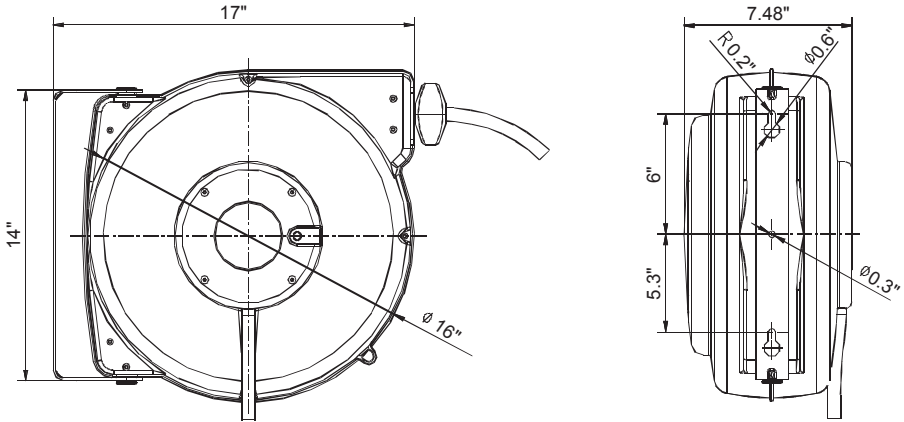
1. Keep the work area clean and dry. Damp or wet work areas can result in injury.
2. Keep children away from work area. Do not allow children to handle this product.
3. Use the right tool for the job. Do not attempt to force small equipment to do the work of larger industrial equipment. There are certain applications for which this equipment was designed. It will do the job better and more safely at the capacity for which it was intended. Do not modify this equipment, and do not use this equipment for a purpose for which it was not intended.
4. Check for damaged parts. Before using this product, carefully check that it will operate properly and perform its intended function. Check for damaged parts and any other conditions that may affect the operation of this product. Replace damaged or worn parts immediately.
5. Do not overreach. Keep proper footing and balance at all times to prevent tripping, falling, back injury, etc.
6. DO NOT use the equipment when tired or under the influence of drugs, alcohol, or medication. A moment of inattention while operating this equipment may result in serious personal injury

TECHNICAL DETAILS

SKU#	Type	Number of Core	Cord Length	Volt	AWG	Ampere
GUR022	SJTOW	3	80ft.	125V	12	15A

Notes:

1. Glow stripe in the dark, Socket display brightness when power on
2. Easy coiling cord, high flexibility (-58°F to 221°F / -50°C to 105°C)



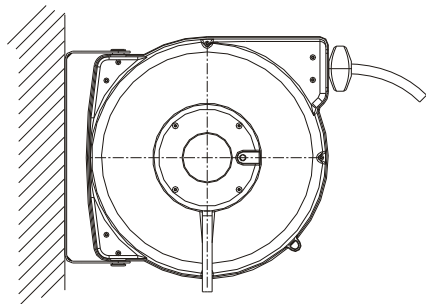
Before using this product, carefully read this general safety rules and instruction listed below. Before starting work, make sure that you know how to stop reel in the event of emergency. Any other use could damage the product or cause serious injury. Keep these instructions in a safe place and on hand so that they can be read when required.

SAFETY PRECAUTIONS

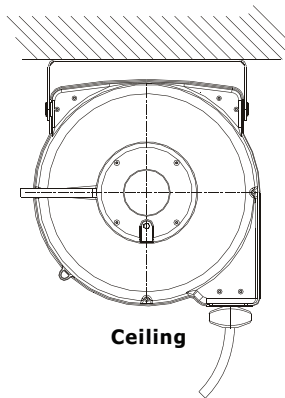
- 1) Ensure that only the qualified electrician can installs/services this cable reel. And it must be permitted by children or unskilled persons.
- 2) Ensure that power supply voltage does not exceed maximum voltage rating of reel.
- 3) Ensure that reel is properly installed before connecting to power supply.
- 4) Ensure that all electrical power is removed from reel before servicing.
- 5) Check for frayed and broken wires before each use.
- 6) When pull electrical cable from the reel always grasp the electrical cable itself, not the work device.
- 7) Remove power from the reel immediately when any malfunction occurs.
- 8) Never remove, tamper with or cut out the safety devices fitted by the manufacture.
- 9) Do not use the reel in damp or wet conditions. Keep the work area clean. Avoid sundries enter into the cable reel.

INSTALLATION

- 1) The cable reel must be installed in premises conforming to current regulation, standards covering electrical systems and work environments.
- 2) Secure the cable reel to the wall and the ceiling according to the installation diagrams. Using screw anchors or suitable screws must be fitted in the holes in the bracket.
- 3) Adjust the cable stopper to the suitable position when required.



Wall



Ceiling

OPERATION

1. Check reel for correct operation by slowly pulling out the hose. A “clicking” noise will be heard every half revolution of the drum.
2. To latch the reel, pull out the cable and allow it to retract after hearing the first second or third “click”.
3. To unlatch, slowly pull out the hose until the “clicking” noise stops, then let the cable retract until the cable stopper rests against the cable guide.
4. When over loading, the thermal cut-out will cut off automatically then push the red button until restore.

Note: To avoid damage to the reel, always hold on the cable while it is rewinding.

MAINTENANCE

Make sure the cable is in proper working order and that the insulation is not cut or worn as this could represent a hazard and jeopardize operation.

Clean the cable with a cloth dipped in warm water to remove dirt or deposits and ensure correct rewinding.

Do not use detergents or solvents which could prove incompatible with cable-winder materials. If the event of having to perform maintenance on the electrical, mechanical parts or replace the cable, contact an authorized after-sale service center.

Dismantling of the unit by unskilled personal could prove hazardous; the risk involved mainly concern the preloaded springs.

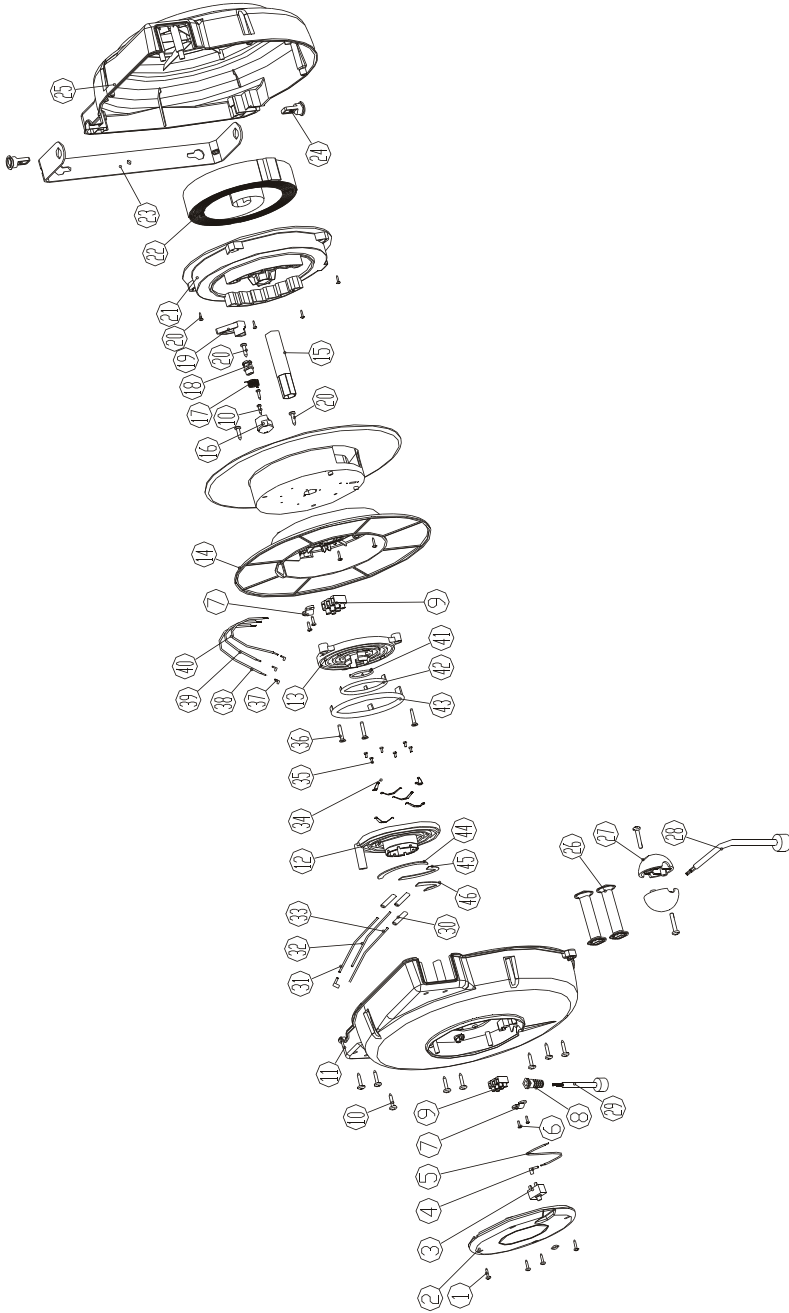
LIMITED WARRANTY

1. The manufacturer warrants this cable reel against defects in material and craftsmanship, for a period of 12 months from date of purchase.
2. Manufacturer's liability is limited to replacement or repair of defective material within the warranty period, when returned freight prepaid to the distributor or their designated service depot.
3. The warranty does not cover damage caused by accident, misuse or faulty installation.
4. The reel must be installed and maintained in compliance with the instructions.

TROUBLE SHOOTING

Problem(s)	Solution(s)
Cord will not fully retract.	Call an authorized technician for service to add tension to the reel's internal spring.
Cord will not retract at all.	Call an authorized technician for service.
No electrical power at output end of cord.	Check all connections ensuring they are properly wired. Press the reset button on the side of the reel case.

EXPLODED AND PARTS LIST



TECHNICAL
DETAILS

SAFETY
PRECAUTIONS

INSTALLATION

OPERATION

MAINTENANCE

LIMITED
WARRANTY

TROUBLE
SHOOTING

EXPLODED AND
PARTS LIST

TECHNICAL
DETAILSSAFETY
PRECAUTIONS

INSTALLATION

OPERATION

MAINTENANCE

LIMITED
WARRANTYTROUBLE
SHOOTINGEXPLODED AND
PARTS LIST

Part No.	Description	Q'ty	Part No.	Description	Q'ty
1	Screw ST4.2×33.5	8	24	Axle	2
2	Plastic cover	1	25	Outer Casing	1
3	Breaker	1	26	Roller	2
4	Termination 6.3	2	27	Stop block	2
5	Connect wire(black)	1	28	Inlet, flexible cord	1
6	Screw ST2.9×9.5	4	29	Outlet, flexible cord	1
7	Cable clamp	2	30	Shrinkable tube	3
8	Outlet, flexible cord	1	31	Connect wire(Black)	1
9	Terminal block	2	32	Connect wire(Green)	1
10	Screw, ST4.2*16	10	33	Connect wire(White)	1
11	Outer Casing	1	34	Touch slice	6
12	Fixed plate	1	35	Copper rivet	6
13	Movable plate	1	36	Screw ST4.2×22	3
14	Drum	2	37	Termination 4.8	3
15	Axle	1	38	Connect wire(Black)	1
16	Ratchet base	1	39	Connect wire(Green)	1
17	Spring dog	1	40	Connect wire(White)	1
18	Ratchet Axle	1	41	Slip ring	1
19	Ratchet Paw	1	42	Slip ring	1
20	Screw, ST4.2*19	5	43	Slip ring	1
21	Spring drum	1	44	Half copper ring	1
22	Main Spring	1	45	Half copper ring	1
23	Bracket	1	46	Half copper ring	1



Intradin (Shanghai) Machinery Co., Ltd.
iti-fluid@intradinchina.com
www.intradin.com