



## Mutifunction Air Hose Reel Instruction Manual

---



---

### **WARNING:**

Read carefully and understand all **INSTRUCTIONS** before operating. Failure to follow the safety rules and other basic safety precautions may result in serious personal injury. Save these instructions in a safe place and on hand so that they can be read when required. Keep these instructions to assist in future servicing.

---



## GENERAL SAFETY REGULATIONS

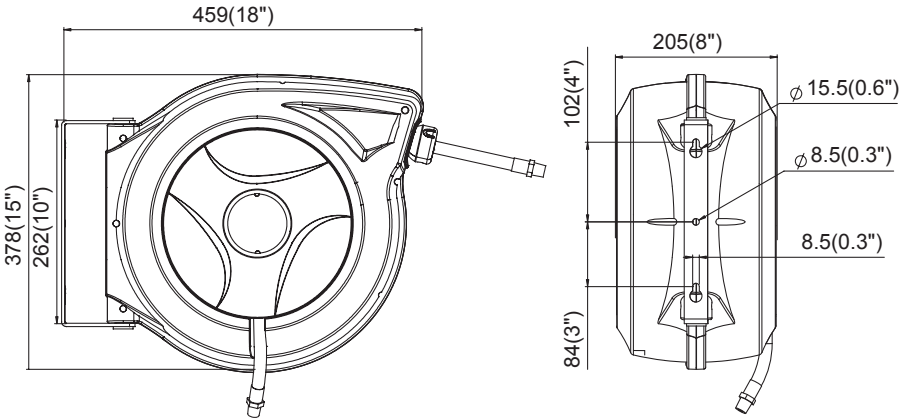


**WARNING:** The warnings, cautions, and instructions discussed in this instruction manual cannot cover all possible conditions or situations that could occur. It must be understood by the operator that common sense and caution are factors that cannot be built into this product, but must be supplied by the operator.

1. Keep the work area clean and dry. Damp or wet work areas can result in injury.
2. Keep children away from work area. Do not allow children to handle this product.
3. Use the right tool for the job. Do not attempt to force small equipment to do the work of larger industrial equipment. There are certain applications for which this equipment was designed. It will do the job better and more safely at the capacity for which it was intended. Do not modify this equipment, and do not use this equipment for a purpose for which it was not intended.
4. Check for damaged parts. Before using this product, carefully check that it will operate properly and perform its intended function. Check for damaged parts and any other conditions that may affect the operation of this product. Replace damaged or worn parts immediately.
5. Do not overreach. Keep proper footing and balance at all times to prevent tripping, falling, back injury, etc.
6. DO NOT use the equipment when tired or under the influence of drugs, alcohol, or medication. A moment of inattention while operating this equipment may result in serious personal injury

## TECHNICAL DETAILS

Item No.	Max Pressure	Hose Working Temperature	Hose Capacity		
			Material	I.D.	Length
27807153	300Psi (20Bar)	-20~60°C (-4~140°F)	Hybrid Polymer	3/8"/9.5mm	15m/50ft



Spring driven drum: for automatic retractable.

Locking ratchet: to maintain the desired length of hose in use.

## SAFETY PRECAUTIONS

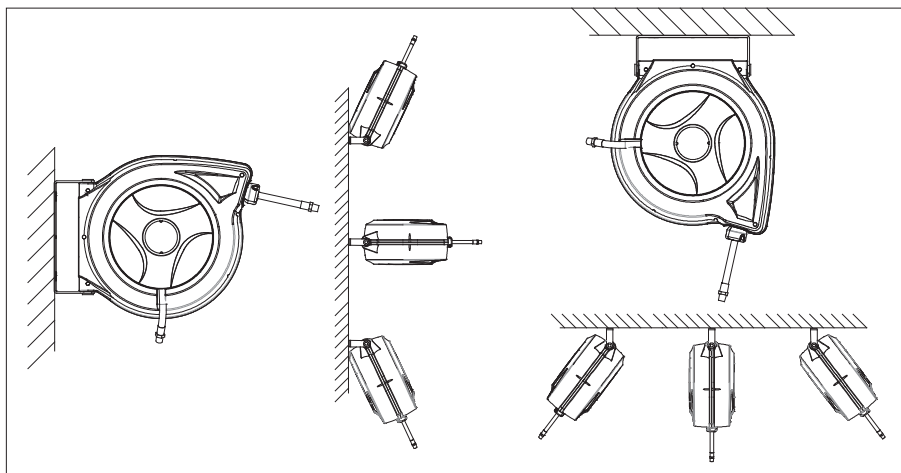
1. Use proper eye protection when assembling and using the hose reel.
2. Keep children away from the work area.
3. Personal injury and/or equipment damage may result if proper safety precautions are not observed.
4. Ensure that reel is properly installed before connecting input and output hoses.
5. Bleed fluid/gas pressure from system before servicing reel.
6. Before connecting reel to supply line ensure that pressure does not exceed maximum working pressure rating of reel.
7. Remember, even low pressure is very dangerous and can cause personal injury or death.
8. If a leak occurs in the hose or reel, remove system pressure immediately.
9. Ensure that reel, hose, and equipment being service are properly grounded.
10. If reel ceases to unwind or rewind, remove system pressure immediately.
11. Do not pull or jerk on hose.

## INSTALLATION OF HOSE REEL

You will need to purchase appropriate hardware for mounting your new reel.

- 1) For mounting: For air series, Install reel on the wall and ceiling at most 9feet / 3m above the floor. For water series, Install reel on the wall at most 4.5feet / 1.5m above the floor .
- 2) The reel base has two mounting holes for mounting on a suitable flat surface for air series (four mounting holes for water series). Below figures is a template showing the correct location of the mounting holes in the base.
- 3) Using the mounting holes in the base, mount the reel in the desired location. Be sure to use appropriate hardware and tighten securely.

## On the wall & ceiling



- 4) The end of incoming hose can be connected to desired supply source.
- 5) Outlet fittings on reel hose attach to desired tool, or nozzle. Check connection for leakage, also check hose reel for correct operation. See: Operation section.
- 6) If hose stopper adjustment is required, pull hose from reel and allow to latch at desired length. Loosen stopper bolts, and slide stopper to a position close to the hose guide. Tighten stopper bolts, and unlatch the reel.

## OPERATION

1. Check reel for correct operation by slowly pulling out the hose. A “clicking” noise will be heard every half revolution of the drum.
2. To latch the reel, Latching Mode Switch, when reel is in free run state, pull out the hose and allow it to retract after hearing the first second or third “click”, Note: it can not exceed the back end mark When the hose is pulled out
3. To unlatch the reel, slowly pull out the hose about 1 feet/0.3 m then let hose retract until the hose stopper rests against the hose guide opening NOT: To avoid damage to the reel, always hold on to the hose while it is rewinding

## MAINTENANCE

Make sure the hose is in proper working order.

Clean the hose with a cloth dipped in warm water to remove dirt or deposits and ensure correct rewinding.

Do not use detergents or solvents which could prove incompatible with cable-winder materials. Dismantling of the unit by unskilled personal could prove hazardous; the risk involved mainly concern the preloaded springs.

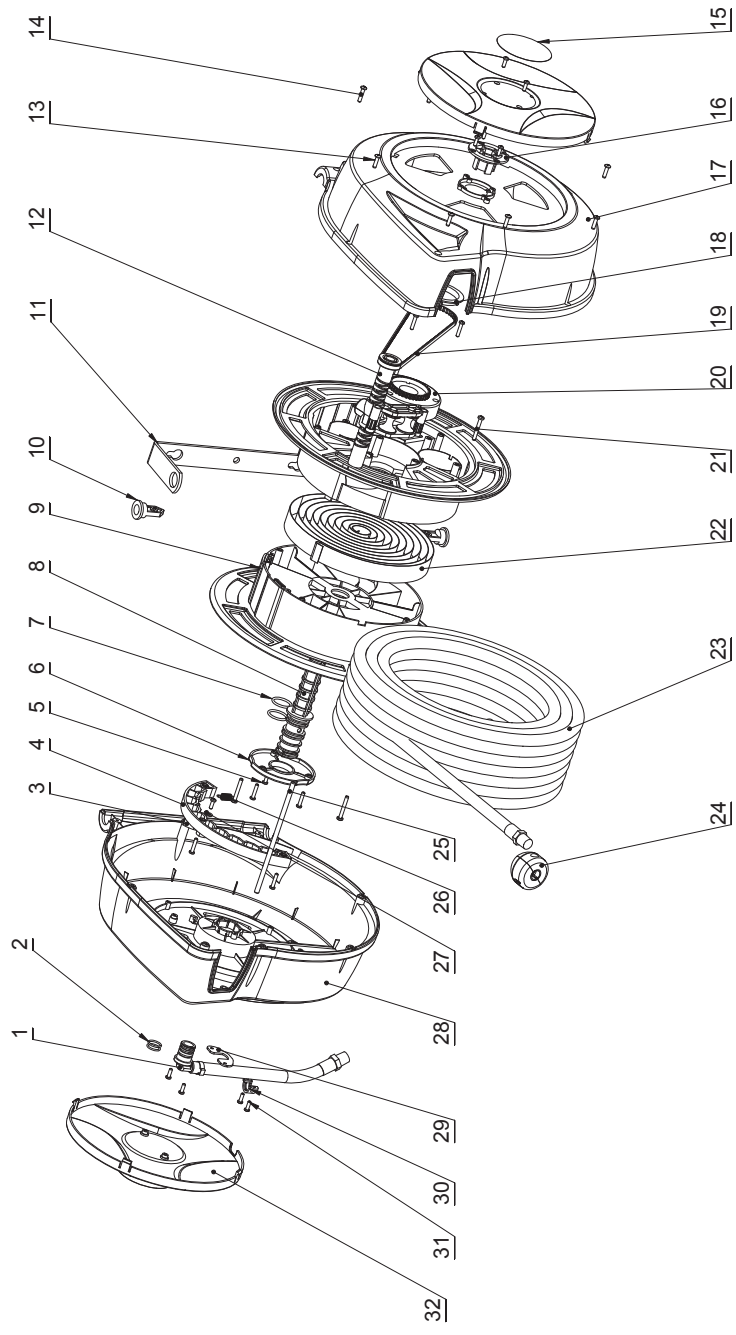
## LIMITED WARRANTY

1. The manufacturer warrants this hose reel against defects in material and craftsmanship, for a period of 24 months from date of purchase, but not including hose and O-ring parts.
2. Manufacturer's liability is limited to replacement or repair of defective material within the warranty period, when returned freight prepaid to the distributor or their designated service depot.
3. The warranty does not cover damage caused by accident, misuse or faulty installation.
4. The reel must be installed and maintained in compliance with the instructions.

## TROUBLE SHOOTING

Problem(s)	Possible Cause	Corrective Action
Fluid path (plumbing and/or Swivel) is leaking or damaged	<ol style="list-style-type: none"> <li>a) Maximum pressure rating for reel has been exceeded</li> <li>b) Application is not compatible with plumbing and/or swivel seal materials.</li> </ol>	<ol style="list-style-type: none"> <li>a) Replace or repair damaged components. Consult factory. Check maximum pressure rating of reel.</li> <li>b) Contact factory to determine chemical compatibility or environmental issues (i.e. temperature rating).</li> </ol>
Hose will not fully retract	<ol style="list-style-type: none"> <li>a) Outlet nozzle, gun or tool is too heavy.</li> <li>b) Spring is fatigued.</li> <li>c) Field installed hose is too long.</li> </ol>	<ol style="list-style-type: none"> <li>a) Add spring tension. See "Spring Tension Adjustment".</li> <li>b) Add spring tension. See "Spring Tension Adjustment". Replace Spring Canister if required.</li> <li>c) Call local distributor for correct specified hose length.</li> </ol>
Hose will not retract at all	Spring has lost all tension or has possibly broken	Reinstall Spring Tension
Reel will not latch	<ol style="list-style-type: none"> <li>a) Incorrect operation</li> <li>b) Dog spring or locking cam is broken or worn</li> </ol>	<ol style="list-style-type: none"> <li>a) To latch the reel, pull out the hose and allow it to retract after hearing the first second or third "click".</li> <li>b) Replace dog spring or locking cam.</li> </ol>
Fluid leaks from swivel	<ol style="list-style-type: none"> <li>a) Swivel seals are damaged or worn</li> <li>b) Inlet hose is not flexible</li> </ol>	Replace swivel seals. See "Swivel Seal Replacement". Caution: Be sure leak is not at Hose Fitting!
Swivel assembly in not moving freely or locking up	Inlet hose is not flexible causing side force on swivel	Properly tighten inlet hose. Hand tighten fitting, plus 1/2 turn with wrench.

# EXPLODED AND PARTS LIST



Part No.	Description	Q'ty	Part No.	Description	Q'ty
1	Hose Assembly	1	17	Right Casing	1
2	O-ring	2	18	Baffle	1
3	Ratchet Paw	1	19	Synchronous Belt	1
4	Ratchet	1	20	Synchronous Wheel	1
5	Screws	9	21	Screws	4
6	Support Cover	1	22	Spring	1
7	O-ring	2	23	Hose Assembly	1
8	Spool	1	24	Guide Bar	1
9	Drum	2	25	Reduction Assembly	1
10	Fixed Pin	2	26	Spring	1
11	Base	1	27	Gasket	1
12	Hose Compositor Assembly	1	28	Left Shell	1
13	Screws	8	29	Fixed Film	1
14	Screws	11	30	Hose Clamp	2
15	Label	2	31	Screws	2
16	Pre Tightening Cover	1	32	Side Cover	2

TECHNICAL  
DETAILS

SAFETY  
PRECAUTIONS

INSTALLATION

OPERATION

MAINTENANCE

LIMITED  
WARRANTY

TROUBLE  
SHOOTING

EXPLODED AND  
PARTS LIST



Intradin (Shanghai) Machinery Co., Ltd.  
iti-fluid@intradinchina.com  
www.intradin.com