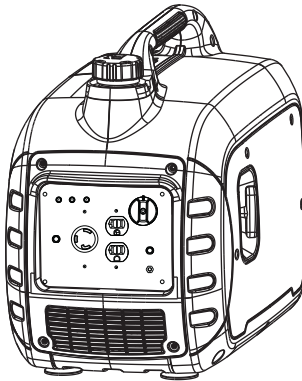


POWERMATE.

PM3000i Portable Generator
Owner's Manual



MODEL: _____

SERIAL: _____

DATE PURCHASED: _____



⚠WARNING

Loss of life. This product is not intended to be used in a critical life support application. Failure to adhere to this warning could result in death or serious injury. (000209b)

Register your Powermate product at:

www.powermate.com/register.php

1-888-922-8482

SAVE THIS MANUAL FOR FUTURE REFERENCE

Table of Contents

Section 1 Introduction and Safety 1

Introduction	1
Safety Rules	1
Safety Symbols and Meanings	1
Exhaust and Location Hazards	2
Electrical Hazards	3
Fire Hazards	3
Standards Index	3

Section 2 General Information and Setup 4

Know Your Generator	5
Emissions	5
Connection Plugs	6
Off/Run/Choke Switch	6
RPM+	6
Generator Status Lights	6
Circuit Protectors	7
Remove Contents from Carton	7
Add Engine Oil	7
Fuel	8

Section 3 Operation9

Operation and Use Questions	9
Before Starting Engine	9
Prepare Generator for Use	9
Grounding the Generator When In Use 9	
Know Generator Limits	9
Transporting/Tipping of the Unit	10
Starting Pull Start Engines	10
Starting Hot Engines	11
Low Oil Level Shutdown System ...	11

Section 4 Maintenance and Troubleshooting12

Maintenance	12
Maintenance Schedule	12
Preventive Maintenance	12
Engine Maintenance	12
Storage	15
Troubleshooting	16

 **WARNING**

CANCER AND REPRODUCTIVE HARM
www.P65Warnings.ca.gov

(000393a)

Section 1 Introduction and Safety

Introduction

Read This Manual Thoroughly



WARNING
Consult Manual. Read and understand manual completely before using product. Failure to completely understand manual and product could result in death or serious injury. (000100a)

If any section of this manual is not understood, contact the nearest Independent Authorized Service Dealer (IASD) or Powermate Customer Service at 1-800-445-1805, or www.powermate.com for starting, operating, and servicing procedures. The owner is responsible for proper maintenance and safe use of the unit.

SAVE THESE INSTRUCTIONS for future reference. This manual contains important instructions that must be followed during placement, operation, and maintenance of the unit and its components. Always supply this manual to any individual that will use this unit.

The information in this manual is accurate based on products produced at the time of publication. The manufacturer reserves the right to make technical updates, corrections, and product revisions at any time without notice.

Safety Rules

The manufacturer cannot anticipate every possible circumstance that might involve a hazard. The alerts in this manual, and on tags and decals affixed to the unit, are not all inclusive. If using a procedure, work method, or operating technique that the manufacturer does not specifically recommend, verify that it is safe for others and does not render the equipment unsafe.

Throughout this publication, and on tags and decals affixed to the unit, DANGER, WARNING, CAUTION, and NOTE blocks are used to alert personnel to special instructions about a particular operation that may be hazardous if performed incorrectly or carelessly. Observe them carefully. Alert definitions are as follows:



Indicates a hazardous situation which, if not avoided, will result in death or serious injury.

(000001)



Indicates a hazardous situation which, if not avoided, could result in death or serious injury.

(000002)



Indicates a hazardous situation which, if not avoided, could result in minor or moderate injury.

(000003)

NOTE: Notes contain additional information important to a procedure and will be found within the regular text of this manual.

These safety alerts cannot eliminate the hazards that they indicate. Common sense and strict compliance with the special instructions while performing the action or service are essential to preventing accidents.

Safety Symbols and Meanings

DANGER	
Using a generator indoors CAN KILL YOU IN MINUTES. Generator exhaust contains carbon monoxide. This is a poison you cannot see or smell.	
 NEVER use inside a home or garage, EVEN IF doors and windows are open.	 Only use OUTSIDE and far away from windows, doors, and vents.

000657



Asphyxiation. Running engines produce carbon monoxide, a colorless, odorless, poisonous gas. Carbon monoxide, if not avoided, will result in death or serious injury. (000103)

- If you start to feel sick, dizzy, or weak after the generator has been running, move to fresh air IMMEDIATELY. See a doctor, as you could have carbon monoxide poisoning.



Asphyxiation. The exhaust system must be properly maintained. Do not alter or modify the exhaust system as to render it unsafe or make it noncompliant with local codes and/or standards. Failure to do so will result in death or serious injury. (000179b)



⚠ DANGER

Electrocution. Water contact with a power source, if not avoided, will result in death or serious injury.

(000104)



⚠ DANGER

Electrocution. Turn utility and emergency power supplies to OFF before connecting power source and load lines. Failure to do so will result in death or serious injury.

(000116)

⚠ WARNING

Equipment and property damage. Do not alter construction of, installation, or block ventilation for generator. Failure to do so could result in unsafe operation or damage to the generator.

(000146)



⚠ WARNING

Asphyxiation. Always use a battery operated carbon monoxide alarm indoors and installed according to the manufacturer's instructions. Failure to do so could result in death or serious injury.

(000178a)

⚠ WARNING

Equipment and property damage. Do not operate unit on uneven surfaces, or areas of excessive moisture, dirt, dust or corrosive vapors. Doing so could result in death, serious injury, property and equipment damage.

(000250)



⚠ WARNING

Moving Parts. Keep clothing, hair, and appendages away from moving parts. Failure to do so could result in death or serious injury.

(000111)



⚠ WARNING

Hot Surfaces. When operating machine, do not touch hot surfaces. Keep machine away from combustibles during use. Hot surfaces could result in severe burns or fire.

(000108)

⚠ WARNING

Personal injury. Do not insert any object through the air cooling slots. Generator can start at any time and could result in death, serious injury, and unit damage.

(000142a)

⚠ WARNING

Risk of injury. Do not operate or service this machine if not fully alert. Fatigue can impair the ability to service this equipment and could result in death or serious injury.

(000215)

⚠ WARNING

Injury and equipment damage. Do not use generator as a step. Doing so could result in falling, damaged parts, unsafe equipment operation, and could result in death or serious injury.

(000216)

⚠ WARNING

Equipment damage. Do not attempt to start or operate a unit in need of repair or scheduled maintenance. Doing so could result in serious injury, death, or equipment failure or damage.

(000291)

- For safety reasons, it is recommended that the maintenance of this equipment be performed by an IASD. Inspect the generator regularly, and contact the nearest IASD for parts needing repair or replacement.

	⚠ CAUTION
	Hearing protection recommended.
	PRECAUCIÓN
	Se recomienda protección auditiva.
	MISE EN GARDE
	Protection auditive recommandée.

000406

Exhaust and Location Hazards



⚠ DANGER

Asphyxiation. Running engines produce carbon monoxide, a colorless, odorless, poisonous gas. Carbon monoxide, if not avoided, will result in death or serious injury.

(000103)



⚠ DANGER

Asphyxiation. The exhaust system must be properly maintained. Do not alter or modify the exhaust system as to render it unsafe or make it noncompliant with local codes and/or standards. Failure to do so will result in death or serious injury.

(000179b)



⚠ WARNING

Asphyxiation. Always use a battery operated carbon monoxide alarm indoors and installed according to the manufacturer's instructions. Failure to do so could result in death or serious injury.

(000146a)

⚠ WARNING

Equipment and property damage. Do not alter construction of, installation, or block ventilation for generator. Failure to do so could result in unsafe operation or damage to the generator.

(000146)

- If you start to feel sick, dizzy, or weak after the generator has been running, move to fresh air IMMEDIATELY. See a doctor, as you could have carbon monoxide poisoning.
- NEVER run a generator indoors or in a partly enclosed area such as garages.
- ONLY use outdoors and far away from windows, doors, vents, crawl spaces and in an area where adequate ventilation is available and will not accumulate deadly exhaust gas.
- Using a fan or opening a door will not provide sufficient ventilation.

- Point muffler exhaust away from people and occupied buildings.

Electrical Hazards



⚠ DANGER

Electrocution. Contact with bare wires, terminals, and connections while generator is running will result in death or serious injury.

(000144)



⚠ DANGER

Electrocution. Water contact with a power source, if not avoided, will result in death or serious injury.

(000104)



⚠ DANGER

Electrocution. In the event of electrical accident, immediately shut power OFF. Use non-conductive implements to free victim from live conductor. Apply first aid and get medical help. Failure to do so will result in death or serious injury.

(000145)

- The National Electric Code (NEC) requires the frame and external electrically conductive parts of the generator be properly connected to an approved earth ground. Local electrical codes may also require proper grounding of the generator. Consult with a local electrician for grounding requirements in the area.
- Use a ground fault circuit interrupter in any damp or highly conductive area (such as metal decking or steel work).
- Once generator has been started outside, connect electrical loads to extension cord(s) inside.

Fire Hazards



⚠ DANGER

Explosion and Fire. Fuel and vapors are extremely flammable and explosive. Add fuel in a well ventilated area. Keep fire and spark away. Failure to do so will result in death or serious injury. (000105)



⚠ DANGER

Explosion and Fire. Do not fill fuel tank past full line. Allow for fuel expansion. Overfilling may cause fuel to spill onto engine causing fire or explosion, which will result in death or serious injury.

(000214)



⚠ DANGER

Risk of fire. Allow fuel spills to completely dry before starting engine. Failure to do so will result in death or serious injury.

(000174)



⚠ WARNING

Fire risk. Fuel and vapors are extremely flammable. Do not operate indoors. Doing so could result in death, serious injury, or property or equipment damage. (000281)



⚠ WARNING

Explosion and fire risk. Do not smoke near unit. Keep fire and spark away. Failure to do so could result in death, serious injury, or property or equipment damage. (000282)



⚠ WARNING

Explosion and Fire. Do not smoke while refueling unit. Failure to do so could result in death, serious injury, or property or equipment damage. (000284a)

- Allow at least 5 feet of clearance on all sides of the generator when operating to prevent overheating and fire.
- Do not operate the generator if connected electrical devices overheat, if electrical output is lost, if engine or generator sparks, or if flames or smoke are observed while unit is running.
- Keep a fire extinguisher near the generator at all times.

Standards Index

1. National Fire Protection Association (NFPA) 70: The NATIONAL ELECTRIC CODE (NEC) available from www.nfpa.org
2. National Fire Protection Association (NFPA) 5000: BUILDING CONSTRUCTION AND SAFETY CODE available from www.nfpa.org
3. International Building Code available from www.iccsafe.org
4. Agricultural Wiring Handbook available from www.rerc.org, Rural Electricity Resource Council P.O. Box 309 Wilmington, OH 45177-0309
5. ASAE EP-364.2 Installation and Maintenance of Farm Standby Electric Power available from www.asabe.org, American Society of Agricultural & Biological Engineers 2950 Niles Road, St. Joseph, MI 49085
6. CSA C22.2 100-14 Electric motors and generators for installation and use, in accordance with the Rules of the Canadian Electrical Code
7. ANSI/PGMA G300 Safety and Performance of Portable Generators. Portable Generator Manufacturer's Association, www.pgmaonline.com

IMPORTANT NOTE: This list is not all inclusive. Check with the Authority Having Jurisdiction (AHJ) for any local codes or standards which may be applicable to your jurisdiction.

Section 2 General Information and Setup

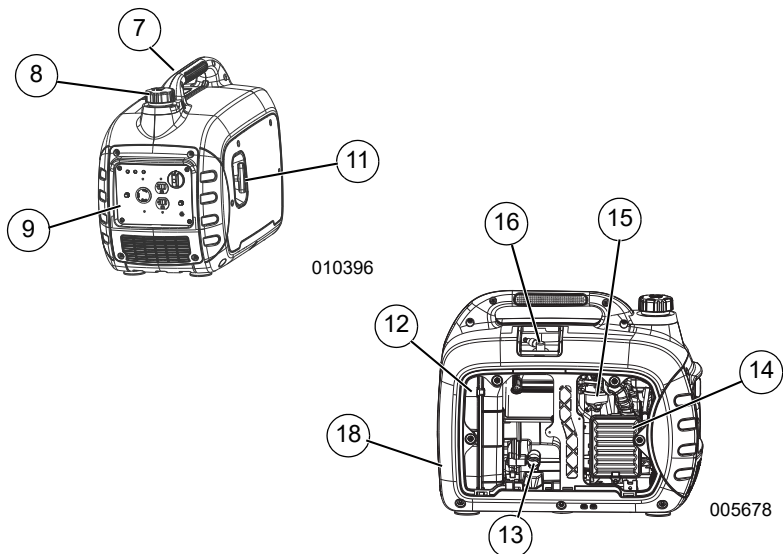


Figure 2-1. Features and Controls

Generator Components

1	Low Oil LED (Yellow)
2	Overload LED (Red)
3	AC Power LED (Green)
4	AC Breaker
5	Grounding Location
6	120V, 20A Receptacle
7	Handle
8	Fuel Tank Cap
9	Control Panel
10	Off/Run/Choke Switch
11	Recoil Starter
12	Muffler
13	Oil Fill/Drain
14	Air Cleaner
15	Carburetor
16	Spark Plug
17	120V, 30A Receptacle (NEMA L5-30R)
18	Spark Arrestor

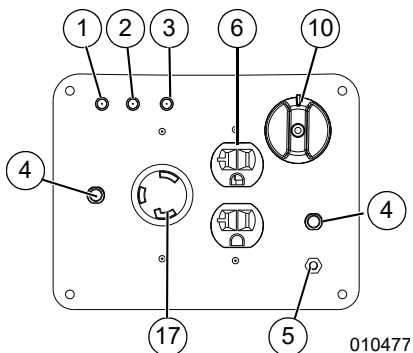


Figure 2-2. Control Panel

Know Your Generator



⚠WARNING

Consult Manual. Read and understand manual completely before using product. Failure to completely understand manual and product could result in death or serious injury. (000100a)

Replacement owner's manuals are available at www.powermate.com.

Emissions

The United States Environmental Protection Agency (US EPA) (and California Air Resources Board (CARB), for engines/equipment certified to California standards) requires this engine/equipment to comply with exhaust and evaporative emissions standards. Locate the emissions compliance decal on the engine to determine applicable standards. See the included emissions warranty for emissions warranty information. Follow the maintenance specifications in this manual to ensure the engine complies with applicable emissions standards for the duration of the product's life.

Product Specifications

Generator Specifications	PM3000i
Rated Power	2300 W**
Surge Power	3000 VA
Rated AC Voltage	120V
Rated AC Load at 120V	19.2 Amps**
Rated Frequency	60 Hz
Dimensions L x W x H (in/mm)	22.25 x 13.35 x 18.4 (565 x 339 x 467)
Weight (dry)	59.5 lb. (27 kg)
** Operating Temperature Range: -6.7° C (20° F) to 40° C (104° F). When operated above 25° C (77° F) there may be a decrease in power.	
** Maximum wattage and current are subject to, and limited by, such factors as fuel Btu content, ambient temperature, altitude, engine condition, etc. Maximum power decreases about 3.5% for each 1,000 feet above sea level; and will also decrease about 1% for each 6° C (10° F) above 16° C (60° F) ambient temperature.	
Engine Specifications	
Engine Type	Single Cylinder, 4-stroke
Displacement	149 cc
Spark Plug Part Number	0K95530157
Spark Plug Type	F7TC or equivalent
Spark Plug Gap (in/mm)	0.024-0.028 (0.6-0.7)
Fuel Capacity / Type	4.3 L (1.14 U.S. gallons) / Unleaded
Oil Type	See Add Engine Oil section
Oil Capacity	0.6 L (0.6 qt.)
Run Time at 50% Load	4.5 Hours
* Go to www.powermate.com or contact an Independent Authorized Service Dealer (IASD) for replacement parts.	

Connection Plugs

120 VAC, Duplex Receptacle

The 120 Volt outlet is overload protected by the 20 Amp push button circuit protector. See [Figure 2-3](#).



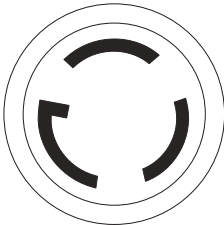
001630

Figure 2-3. 120 VAC, Duplex Receptacle

120 VAC, 30 Amp Receptacle

Use a NEMA L5-30R plug with this receptacle. Connect a suitable 3-wire cord set to the plug and to desired load. The cord set should be rated for 125 Volts AC at 30 Amps (or greater). See [Figure 2-4](#).

Use this receptacle to operate 120 Volt AC, 60Hz, single phase loads requiring up to 3000 watts, 25 Amps starting power and 2300 watts of continuous power at 19.2 Amps. The outlet is protected by a 20 Amp push-to-reset circuit breaker.



000844

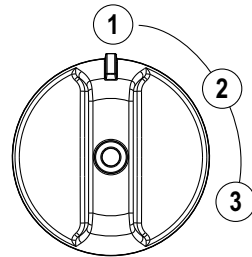
**Figure 2-4. 120 VAC, 30 Amp Receptacle
NEMA L5-30R**

Off/Run/Choke Switch

This controls the ON/OFF functions, choke and fuel valve operation. See [Figure 2-5](#).

- The OFF position (1) stops the engine and shuts off fuel flow.
- The RUN position (2) is for normal operation and to gradually reduce the use of the choke.
- The CHOKE position (3) switches the fuel valve on to start the engine.

NOTE: The CHOKE is not required to start a warm engine.



010490

Figure 2-5. Switch (example)

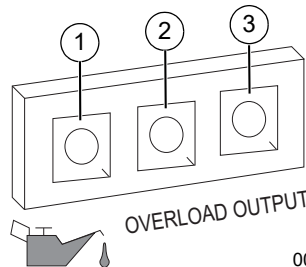
RPM+

Engine RPM is optimized to reduce fuel consumption and noise.

Generator Status Lights

See [Figure 2-6](#).

- **Overload LED (red):** Indicates system overload (2). During motor starting it is normal for the overload LED to illuminate for a few seconds. If LED stays illuminated and the ready LED turns off, the engine will continue to run without output power. Remove all applied loads and determine if attached devices exceed recommended output power. Check for faulty or shorted connections. To restore electrical output, turn dial OFF to reset. Start engine. If condition was corrected, the orange LED will not illuminate and electrical output will be restored. Loads can be applied once the green LED illuminates. If the orange LED returns, contact an IASD.
- **Low Oil Level LED (yellow):** Illuminates when oil level is below safe operating level. Engine shuts down (1).
- **Power LED (green):** Indicates output from generator (3) (unless there is a low oil or overload condition).



005483

Figure 2-6. Status Indicators

Circuit Protectors

The AC receptacles are protected by an AC circuit protector. If the generator is overloaded or an external short circuit occurs, the circuit protector will trip. If this occurs, disconnect all electrical loads to determine the cause of the problem before using the generator again. Reduce the load if the circuit protector is tripped.

NOTE: Continuous tripping of the circuit protector may cause damage to generator or equipment.

Push the button of the protector to reset the circuit protector.

Remove Contents from Carton

1. Open carton completely by cutting each corner from top to bottom.
2. Remove and verify carton contents prior to assembly. Carton contents should contain the following:

Accessories

Item	Qty.
Main Unit	1
Owner's Manual	1
Engine Oil	1
Oil Funnel	1
Tool Kit	1
Service Warranty	1
Emissions Warranty	1

3. Call Powermate Customer Service at 1-800-445-1805 with the unit model and serial number for any missing carton contents.
4. Record model, serial number, and date of purchase on front cover of this manual.

Add Engine Oil

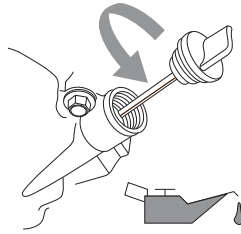


Engine damage. Verify proper type and quantity of engine oil prior to starting engine. Failure to do so could result in engine damage.

(000135)

NOTE: The generator is shipped without oil in the engine. Add oil slowly and verify oil level often during filling process to ensure overfilling does not occur.

1. Place generator on a level surface.
2. Remove screws and side cover.
3. Verify oil fill area is clean.
4. Remove oil fill cap/dipstick and wipe dipstick clean. See [Figure 2-7](#).

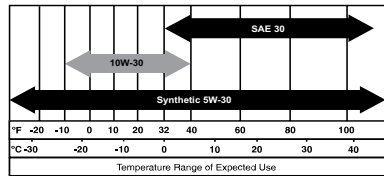


000115

Figure 2-7. Remove Dipstick

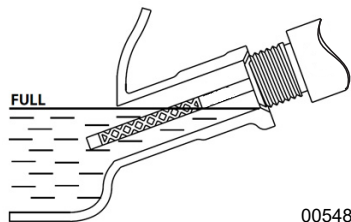
5. Insert funnel into oil fill opening. Add recommended engine oil as necessary. Climate determines proper engine oil viscosity. See chart below to select correct viscosity.

NOTE: Use petroleum based oil (supplied) for engine break-in before using synthetic oil.



000399

6. To check oil level, remove funnel and insert dipstick into oil filler neck without screwing it in. See [Figure 2-8](#).



005484

Figure 2-8. Safe Operating Range

7. Remove dipstick and verify oil level is within safe operating range.

NOTE: Verify oil level often during filling process to ensure overfilling does not occur.

8. Install oil fill cap/dipstick and hand-tighten.
9. Install side panel and screws.

Fuel



▲ DANGER

Explosion and Fire. Fuel and vapors are extremely flammable and explosive. Add fuel in a well ventilated area. Keep fire and spark away. Failure to do so will result in death or serious injury. (000105)



▲ DANGER

Explosion and Fire. Do not fill fuel tank past full line. Allow for fuel expansion. Overfilling may cause fuel to spill onto engine causing fire or explosion, which will result in death or serious injury. (000214)

Fuel requirements are as follows:

- Clean, fresh, unleaded gasoline.
 - Minimum rating of 87 octane/87 AKI (91 RON).
 - Up to 10% ethanol (gasohol) is acceptable.
 - DO NOT use E85.
 - DO NOT use a gas oil mix.
 - DO NOT modify engine to run on alternate fuels. Stabilize fuel prior to storage.
1. Verify unit is OFF and cooled entirely prior to fueling.
 2. Place unit on level ground in a well ventilated area.
 3. Clean area around fuel cap.
 4. Turn cap slowly to remove.
 5. Slowly add recommended fuel. Do not overfill.
 6. Install fuel cap.

NOTE: Allow spilled fuel to evaporate before starting unit.

IMPORTANT NOTE: It is important to prevent gum deposits from forming in fuel system parts such as the carburetor, fuel hose or tank during storage. Alcohol-blended fuels (called gasohol, ethanol or methanol) can attract moisture, which leads to separation and formation of acids during storage. Acidic gas can damage the fuel system of an engine while in storage. To avoid engine problems, the fuel system should be emptied before storage of 30 days or longer. See the [Storage](#) section. Never use engine or carburetor cleaner products in the fuel tank as permanent damage may occur.

Section 3 Operation

Operation and Use Questions

Call Powermate Customer Service at 1-800-445-1805 with questions or concerns about equipment operation and maintenance.

Before Starting Engine

1. Verify engine oil level is correct.
2. Verify fuel level is correct.
3. Verify unit is secure on level ground, with proper clearance and is in a well ventilated area.

Prepare Generator for Use



▲ DANGER

Asphyxiation. Running engines produce carbon monoxide, a colorless, odorless, poisonous gas. Carbon monoxide, if not avoided, will result in death or serious injury.

(000103)



▲ DANGER

Asphyxiation. The exhaust system must be properly maintained. Do not alter or modify the exhaust system as to render it unsafe or make it noncompliant with local codes and/or standards. Failure to do so will result in death or serious injury.

(000179b)



▲ WARNING

Risk of fire. Do not use generator without spark arrestor installed. Failure to do so could result in death or serious injury.

(000118a)



▲ WARNING

Asphyxiation. Always use a battery operated carbon monoxide alarm indoors and installed according to the manufacturer's instructions. Failure to do so could result in death or serious injury.

(000178a)



▲ WARNING

Risk of Fire. Hot surfaces could ignite combustibles, resulting in fire. Fire could result in death or serious injury.

(000110)



▲ WARNING

Hot Surfaces. When operating machine, do not touch hot surfaces. Keep machine away from combustibles during use. Hot surfaces could result in severe burns or fire.

(000108)

▲ CAUTION

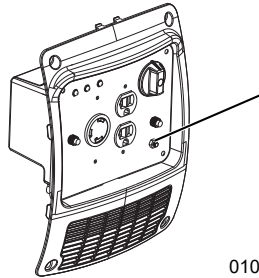
Equipment and property damage. Disconnect electrical loads prior to starting or stopping unit. Failure to do so could result in equipment and property damage.

(000136)

Grounding the Generator When In Use

The generator is equipped with an equipment ground connecting the generator frame and the ground terminals on the AC output receptacles (see NEC 250.34 (A)). This allows the generator to be used as a portable without grounding the frame of the generator as specified in NEC 250.34. See [Figure 3-1](#).

- Neutral Floating



010481

Figure 3-1. Grounding the Generator

The generator (stator winding) is isolated from the frame and from the AC receptacle ground pin. Electrical devices that require a grounded receptacle pin connection will not function if the receptacle ground pin is not functional.

Know Generator Limits

Overloading a generator can result in damage to the generator and connected electrical devices. Observe the following to prevent overload:

- Add the total wattage of all electrical devices to be connected at one time. This total should NOT be greater than the generator's wattage capacity.
 - The rated wattage of lights can be taken from light bulbs. The rated wattage of tools, appliances, and motors can be found on a data label or decal affixed to the device.
 - If the appliance, tool, or motor does not give wattage, multiply volts times amperage rating to determine watts (volts x amps = watts).
 - Some electric motors, such as induction types, require approximately three times more watts of power for starting than for running. This surge of power lasts only a few seconds when starting such motors. Make sure to allow for high starting wattage when selecting electrical devices to connect to the generator:
1. Calculate the watts needed to start the largest motor.
 2. Add to that figure the running watts of all other connected loads.

The [Wattage Reference Guide](#) is provided to assist in determining how many items the generator can operate at one time.

NOTE: All figures are approximate. See data label on appliance for wattage requirements.

Wattage Reference Guide

Device	Running Watts
*Air Conditioner (12,000 Btu)	1700
*Air Conditioner (24,000 Btu)	3800
*Air Conditioner (40,000 Btu)	6000
Battery Charger (20 Amp)	500
Belt Sander (3")	1000
Chain Saw	1200
Circular Saw (7-1/4")	1250 to 1400
*Clothes Dryer (Electric)	5750
*Clothes Dryer (Gas)	700
*Clothes Washer	1150
Coffee Maker	1750
*Compressor (1 HP)	2000
*Compressor (3/4 HP)	1800
*Compressor (1/2 HP)	1400
Curling Iron	700
*Dehumidifier	650
Disc Sander (9")	1200
Edge Trimmer	500
Electric Blanket	400
Electric Nail Gun	1200
Electric Range (per element)	1500
Electric Skillet	1250
*Freezer	700
*Furnace Fan (3/5 HP)	875
*Garage Door Opener	500 to 750
Hair Dryer	1200
Hand Drill	250 to 1100
Hedge Trimmer	450
Impact Wrench	500
Iron	1200
*Jet Pump	800
Lawn Mower	1200
Light Bulb	100
Microwave Oven	700 to 1000
*Milk Cooler	1100
Oil Burner on Furnace	300
Oil Fired Space Heater (140,000 Btu)	400
Oil Fired Space Heater (85,000 Btu)	225

Oil Fired Space Heater (30,000 Btu)	150
*Paint Sprayer, Airless (1/3 HP)	600
Paint Sprayer, Airless (hand-held)	150
Radio	50 to 200
*Refrigerator	700
Slow Cooker	200
*Submersible Pump (1-1/2 HP)	2800
*Submersible Pump (1 HP)	2000
*Submersible Pump (1/2 HP)	1500
*Sump Pump	800 to 1050
*Table Saw (10")	1750 to 2000
Television	200 to 500
Toaster	1000 to 1650
Weed Trimmer	500
* Allow 3 times the listed watts for starting these devices.	

Transporting/Tipping of the Unit

Do not store or transport the unit at an angle greater than 15 degrees.

Starting Pull Start Engines



WARNING

Recoil Hazard. Recoil could retract unexpectedly. Kickback could result in death or serious injury.

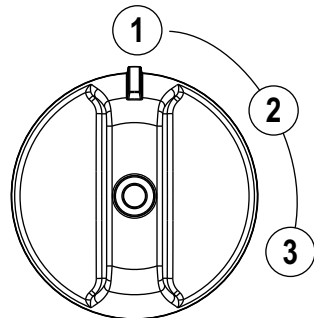
(000183)

CAUTION

Equipment and property damage. Disconnect electrical loads prior to starting or stopping unit. Failure to do so could result in equipment and property damage.

(000136)

1. See [Figure 3-2](#). Rotate the Off/Run/Choke switch to CHOKE (3).
2. Firmly grasp recoil handle and pull slowly until increased resistance is felt. Pull rapidly up and away.



010490

Figure 3-2. Off/Run/Choke Positions

- See [Figure 3-2](#). When engine starts, rotate Off/Run/Choke dial to RUN (2). Choke operation is reduced as Off/Run/Choke dial is rotated towards RUN.

NOTE: If engine fires, but does not continue to run, rotate the Off/Run/Choke dial to OFF and repeat starting instructions.

IMPORTANT NOTE: Do not overload generator or individual panel receptacles. See [Figure 3-3](#). If an overload occurs, the overload LED (A) will illuminate and AC output ceases. To correct, see [Generator Status Lights](#). Read [Know Generator Limits](#) carefully.

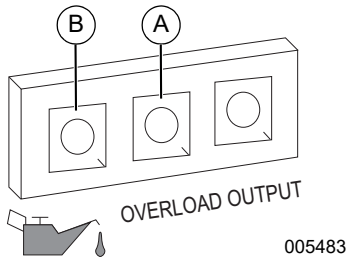


Figure 3-3. Shutdown Fault

Generator Shut Down

⚠ CAUTION

Equipment and property damage. Disconnect electrical loads prior to starting or stopping unit. Failure to do so could result in equipment and property damage.

(000136)

- Shut off all loads and unplug electrical loads from generator panel receptacles.
- Let engine run at no-load for several minutes to stabilize internal temperatures of engine and generator.
- See [Figure 3-2](#) Rotate Off/Run/Choke dial to OFF (3).

Starting Hot Engines

⚠ CAUTION

Equipment and property damage. Disconnect electrical loads prior to starting or stopping unit. Failure to do so could result in equipment and property damage.

(000136)

- See [Figure 3-2](#). Turn Off/Run/Choke dial from OFF to RUN. This will open the fuel valve and permit starting.
- Firmly grasp recoil handle and pull slowly until increased resistance is felt. Pull rapidly up and away.

Low Oil Level Shutdown System

The engine is equipped with a low oil level sensor that shuts down the engine automatically when the oil level drops below a specified level to prevent engine damage. See [Figure 3-3](#) (B). The engine will not run until the oil has been filled to the proper level.

IMPORTANT NOTE: Verify proper engine oil and fuel levels before use.

Section 4 Maintenance and Troubleshooting

Maintenance

Regular maintenance will improve performance and extend engine/equipment life. The manufacturer recommends that all maintenance work be performed by an Independent Authorized Service Dealer (IASD). Regular maintenance, replacement or repair of the emissions control devices and systems may be performed by any repair shop or person of the owner's choosing. However, to obtain emissions control warranty service free of charge, the work must be performed by an IASD. See the emissions warranty.

NOTE: Call Powermate Customer Service at 1-800-445-1805 with questions about component replacement.

Maintenance Schedule

Follow maintenance schedule intervals, whichever occurs first according to use.

NOTE: Adverse conditions will require more frequent service.

NOTE: All required service and adjustments should be completed as detailed in the following chart.

At Each Use
Check engine oil level
Every 100 Hours or Every 6 Months
Clean/Replace Air Filter**
Change oil †
Muffler Screen
Clean/Replace Spark Arrestor
Every 300 Hours or Every Year*
Replace Spark Plug
Replace Fuel Filter +
Valve Clearance Adjustment
Check/Replace Crankcase Breather Hose
Check Fittings/Fasteners +
† Change oil after first month or 20 hours of operation. + To be performed by an IASD. * Change oil every month when operating under heavy load or in high temperatures. ** Clean more often under dirty or dusty operating conditions. Replace air filter parts if they cannot be adequately cleaned. *** Check valve clearance and adjust if necessary after first 50 hours of operation and every 300 hours thereafter.

Preventive Maintenance

Dirt or debris can cause improper operation and equipment damage. Clean generator daily or before each use. Keep area around and behind muffler free from combustible debris. Inspect all cooling air openings on generator.

WARNING

Personal injury. Do not insert any object through the air cooling slots. Generator can start at any time and could result in death, serious injury, and unit damage.

(000142a)

- Use a damp cloth to wipe exterior surfaces clean.
- Use a soft bristle brush to loosen caked on dirt, oil, etc.
- Use a vacuum to pick up loose dirt and debris.
- Low pressure air (not to exceed 25 psi) may be used to blow away dirt. Inspect cooling air slots and openings on generator. These openings must be kept clean and unobstructed.

NOTE: DO NOT use a garden hose to clean generator. Water can enter engine fuel system and cause problems. If water enters generator through cooling air slots, some water will be retained in voids and crevices of rotor and stator winding insulation. Water and dirt buildup on generator internal windings will decrease insulation resistance of windings.

Engine Maintenance

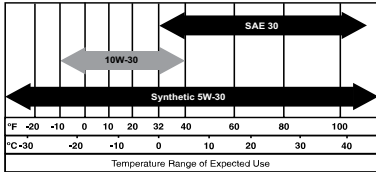
WARNING

Accidental start-up. Disconnect spark plug wires when working on unit. Failure to do so could result in death or serious injury.

(000141)

Engine Oil Recommendations

To maintain the product warranty, the engine oil should be serviced in accordance with the recommendations of this manual. For your convenience, maintenance kits designed and intended for use on this product are available from the manufacturer that include engine oil, oil filter, air filter, spark plug(s), a shop towel and funnel. These kits can be obtained from an Independent Authorized Service Dealer (IASD).



000399

Inspect Engine Oil Level



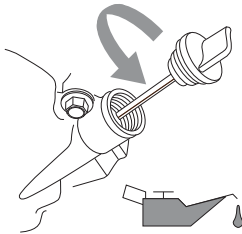
WARNING

Risk of burns. Allow engine to cool before draining oil or coolant. Failure to do so could result in death or serious injury.

(000139)

Inspect engine oil level prior to each use, or every 8 hours of operation.

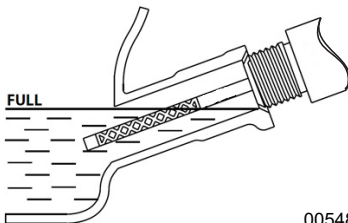
1. Place generator on a level surface.
2. Remove screws and side cover.
3. Clean area around oil fill.
4. Remove oil fill cap and wipe dipstick clean. See [Figure 4-1](#).



000115

Figure 4-1. Engine Oil Fill

5. To check oil level, insert dipstick into oil filler neck without screwing it in. See [Figure 4-2](#).



005484

Figure 4-2. Safe Operating Range

6. Remove dipstick and verify oil level is within safe operating range.
7. Add recommended engine oil as necessary.

NOTE: Verify oil level often during filling process to ensure overfilling does not occur.

8. Install oil fill cap/dipstick and hand-tighten.

NOTE: Some units have more than one oil fill location. It is only necessary to use one oil fill point.

9. Install side panel and screws.

Change Engine Oil

WARNING

Accidental start-up. Disconnect spark plug wires when working on unit. Failure to do so could result in death or serious injury.

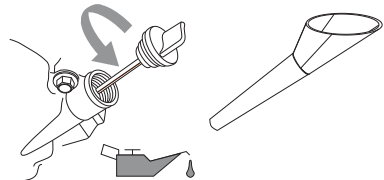
(000141)

When using generator under extreme, dirty, dusty conditions, or in extremely hot weather, change oil more frequently.

NOTE: Don't pollute. Conserve resources. Return used oil to collection centers.

Change oil while engine is still warm from running, as follows:

1. Place generator on a level surface.
2. Remove screws, side cover and spark plug cover.
3. Disconnect the spark plug wire from the spark plug and place the wire where it cannot contact spark plug.
4. Clean area around oil fill and oil drain plug.
5. Remove oil fill cap and wipe dipstick clean.
6. Tip unit and drain oil completely into a suitable container.
7. Once oil is sufficiently drained from unit, install oil drain plug and tighten securely.
8. Insert funnel into oil fill opening. See [Figure 4-3](#). Add recommended engine oil as necessary.



002404

Figure 4-3. Oil Fill Opening With Funnel

9. To check oil level, remove funnel and insert dipstick into oil filler neck without screwing it in. See [Figure 4-2](#).
10. Remove dipstick and verify oil level is within safe operating range.

NOTE: Verify oil level often during filling process to ensure overfilling does not occur.

11. Install oil fill cap/dipstick and hand-tighten.
12. Wipe up any spilled oil.
13. Install side panel, screws and spark plug cover.
14. Properly dispose of oil in accordance with all applicable regulations.

Air Filter

Engine will not run properly and may be damaged if run with a dirty air filter. Service air filter more frequently in dirty or dusty conditions.

To service air filter:

1. Unscrew bolt (A) and remove air filter cover. See [Figure 4-4](#).
2. Wash filter (B) in soapy water. Squeeze dry in clean cloth (DO NOT TWIST).
3. Clean air filter cover before installation.
4. Replace side cover and screws.

NOTE: To order a new air filter, contact the nearest authorized service center at 1-800-445-1805.

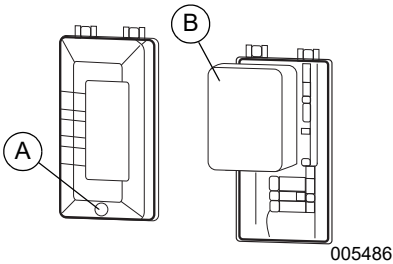


Figure 4-4. Air Filter Assembly

Service Spark Plug

To service spark plug:

1. Remove spark plug cover and disconnect spark plug wire. See [Figure 2-1](#).
2. Clean area around spark plug.
3. Remove and inspect spark plug.
4. Inspect electrode gap with feeler gauge and reset spark plug gap to 0.6 - 0.7mm (0.024 - 0.028 in). See [Figure 4-5](#).

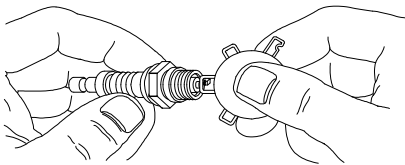


Figure 4-5. Spark Plug

NOTE: Replace spark plug if electrodes are pitted, burned or porcelain is cracked. Use ONLY recommended replacement plug. See [Product Specifications](#).

5. Install spark plug finger tight, and tighten an additional 3/8 to 1/2 turn using spark plug wrench.

Inspect Muffler and Spark Arrestor

NOTE: It is a violation of California Public Resource Code, Section 4442, to use or operate the engine on any forest-covered, brush-covered, or grass-covered land unless the exhaust system is equipped with a spark arrestor, as defined in Section 4442, maintained in effective working order. Other states or federal jurisdictions may have similar laws.

Contact original equipment manufacturer, retailer, or dealer to obtain a spark arrestor designed for exhaust system installed on this engine.

NOTE: Use ONLY original equipment replacement parts.

Inspect muffler for cracks, corrosion, or other damage. Remove spark arrestor, if equipped, inspect for damage or carbon blockage. Replace parts as required.

Inspect Spark Arrestor Screen



WARNING

Hot Surfaces. When operating machine, do not touch hot surfaces. Keep machine away from combustibles during use. Hot surfaces could result in severe burns or fire. (000108)

Clean Spark Arrestor Screen

The engine exhaust muffler has a spark arrestor screen. Inspect and clean the screen every 100 hours of operation or every six months, whichever comes first.

To service spark arrestor:

1. See [Figure 4-6](#). Remove the clamp to remove retainer.
2. Slide spark arrestor screens out from the muffler outlet tube.
3. Inspect screens and replace if torn, perforated or otherwise damaged. Do NOT use a defective screen. If screen is not damaged, clean with a commercial solvent.
4. Replace the screens, and retainer, and secure with clamp.

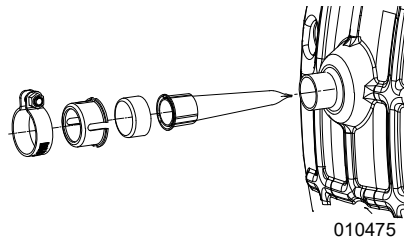


Figure 4-6. Spark Arrestor Screen

Valve Clearance

Important: Please contact an Independent Authorized Service Dealer for service assistance. Proper valve clearance is essential for prolonging the life of the engine.

Check valve clearance after the first fifty-hours of operation. Adjust as necessary.

- Intake — $0.10 \pm 0.02\text{mm}$ (cold), $(0.004" \pm 0.001"$ inches)
- Exhaust — $0.10 \pm 0.02\text{mm}$ (cold) $(0.004" \pm 0.001"$ inches)

Storage

General

**⚠ DANGER**

Explosion and Fire. Fuel and vapors are extremely flammable and explosive. Store fuel in a well ventilated area. Keep fire and spark away. Failure to do so will result in death or serious injury.

(000143)

**⚠ WARNING**

Risk of Fire. Verify machine has properly cooled before installing cover and storing machine. Hot surfaces could result in fire.

(000109)

It is recommended to start and run the generator for 30 minutes, every 30 days. If this is not possible, refer to the following list to prepare unit for storage.

- DO NOT place a storage cover on a hot generator. Allow unit to cool to room temperature before storage.
- DO NOT store fuel from one season to another unless properly treated.
- Replace fuel container if rust is present. Rust in fuel will cause fuel system problems.
- Cover unit with a suitable protective, moisture resistant cover.
- Store unit in a clean, dry area.
- Always store generator and fuel away from heat and ignition sources.

Prepare Fuel System/Engine for Storage

Fuel stored over 30 days can go bad and damage fuel system components. Keep fuel fresh, use fuel stabilizer.

If fuel stabilizer is added to fuel system, prepare and run engine for long term storage. Run engine for 10-15 minutes to circulate stabilizer throughout fuel system. Adequately prepared fuel can be stored up to 24 months.

NOTE: If fuel has not been treated with fuel stabilizer, it must be drained into an approved container. Run engine until it stops from lack of fuel. Use of fuel stabilizer in fuel storage container is recommended to keep fuel fresh.

1. Change engine oil.

2. Remove spark plug.
3. Pour tablespoon (5-10cc) of clean engine oil or spray a suitable fogging agent into cylinder.

**⚠ WARNING**

Vision Loss. Eye protection is required to avoid spray from spark plug hole when cranking engine. Failure to do so could result in vision loss.

(000181)

4. Pull starter recoil several times to distribute oil in cylinder.
5. Install spark plug.
6. Pull recoil slowly until resistance is felt. This will close valves so moisture cannot enter engine cylinder. Gently release recoil.

Change Oil

Change engine oil before storage. See, [Change Engine Oil](#).

Troubleshooting

PROBLEM	CAUSE	CORRECTION
Engine won't start.	<ol style="list-style-type: none"> 1. Dial turned off. 2. Out of fuel. 3. Defective spark plug. 4. Plugged fuel filter. 5. Defective or stuck Dial assembly. 6. Incorrect engine oil level. 7. Defective ignition coil. 8. Carb is flooded. 9. Throttle plate closed. 	<ol style="list-style-type: none"> 1. Turn on Dial. 2. Fill fuel tank. 3. Replace spark plug. 4. Replace fuel and fuel filter. 5. Contact IASD. 6. Check/fill engine oil. 7. Contact IASD. 8. Drain carb. 9. Open throttle plate (push toward back of unit).
Engine starts, then shuts down.	<ol style="list-style-type: none"> 1. Out of fuel. 2. Incorrect engine oil level. 3. Contaminated fuel. 4. Defective low oil level switch. 	<ol style="list-style-type: none"> 1. Fill fuel tank. 2. Check engine oil level. 3. Contact IASD. 4. Contact IASD.
Engine will not start; or starts and runs rough.*	<ol style="list-style-type: none"> 1. Choke is stuck or left on. 2. Dirty or clogged air filter. 3. Defective or dirty spark plug. 4. Dirty fuel filter. 5. Dirty or gummed up carburetor. 6. Unit not warmed up. 7. Spark arrestor clogged. 	<ol style="list-style-type: none"> 1. Turn choke off. 2. Clean or replace air filter. 3. Replace spark plug. 4. Replace fuel and fuel filter. 5. Clean carburetor. 6. Gradually adjust Dial and reduce choke until engine runs smoothly in RUN position. 7. Clean spark arrestor.
No AC output.	<ol style="list-style-type: none"> 1. Generator is overloaded. 2. Inverter module is overheated. 3. Short circuit in electrical device. 4. Defective inverter assembly. 	<ol style="list-style-type: none"> 1. Disconnect all loads. Shut down generator to reset module. Reduce loads, restart generator. 2. Verify service door is ON. Let cool 15 minutes by running engine without AC output. Press and hold Reset button on control panel, restart generator. 3. Verify condition of extension cords and items being powered. Press and hold Reset button on control panel. 4. Contact IASD.
Fuel leaks from drain hoses.	<ol style="list-style-type: none"> 1. Carburetor drain in bowl is not closed. 	<ol style="list-style-type: none"> 1. Turn valve clockwise to close.
* Engine speed increases and decreases — This is normal as generator starts up and loads vary.		

Part No. A0000136735 Rev. B 05/21/2020
©2020 Powermate, LLC. All rights reserved.
Specifications are subject to change without
notice.

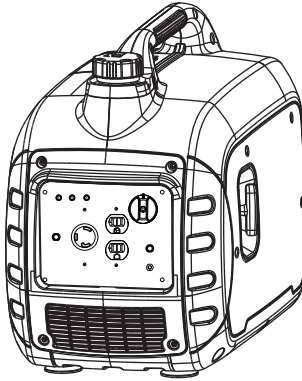
No reproduction allowed in any form without
prior written consent from Powermate, LLC.

POWERMATE.

Powermate, LLC
S45 W29290 Hwy. 59
Waukesha, WI 53189
1-800-445-1805
www.powermate.com

POWERMATE.

Generador portátil PM3000i
Manual del propietario



MODELO: _____

SERIE: _____

FECHA DE COMPRA: _____



⚠ ADVERTENCIA

Fallecimiento. Este producto no se ha diseñado para que se utilice en aplicaciones de apoyo vital crítico. En caso de hacerlo, podría provocar la muerte o lesiones graves.

(000209b)

Registre su producto Powermate en:

www.powermate.com/register.php

1-888-922-8482

GUARDE ESTE MANUAL PARA CONSULTARLO EN EL FUTURO

Índice

Sección 1 Introducción y seguridad

Introducción	1
Normas de seguridad	1
Símbolos de seguridad y significados	1
Peligros de gases de escape y ubicación	2
Peligros eléctricos	3
Peligros de incendio	3
Índice de normas	3

Sección 2 Información general y configuración

Conozca su generador	6
Emisiones	6
Clavijas de conexión	7
Interruptor Apagado/ Funcionamiento/Estrangulador	7
RPM+	7
Luces de estado del generador	7
Protectores de circuito	8
Retire el contenido de la caja	8
Adición de aceite del motor	8
Combustible	9

Sección 3 Operación

Preguntas sobre la operación y el uso	10
Antes de arrancar el motor	10
Preparación del generador para su uso	10
Conexión a tierra del generador durante su uso	10
Conozca los límites del generador	10
Transporte/inclinación de la unidad	11
Arranque de motores de arranque retráctil	11
Arranque de motores calientes	12
Sistema de desconexión por bajo nivel de aceite	12

Sección 4 Mantenimiento y solución de problemas

Mantenimiento	13
Programa de mantenimiento	13
Mantenimiento preventivo	13
Mantenimiento del motor	14
Almacenamiento	16
Solución de problemas	18

 **ADVERTENCIA**

**PRODUCE CÁNCER Y
DAÑOS REPRODUCTIVOS**

www.P65Warnings.ca.gov (000393a)

Sección 1 Introducción y seguridad

Introducción

Lea este manual cuidadosamente



⚠️ ADVERTENCIA
Consulte el manual. Lea y comprenda completamente el manual antes de usar el producto. No comprender completamente el manual puede provocar la muerte o lesiones graves.

(000100a)

Si no comprende alguna sección de este manual, llame a su IASD (Independent Authorized Service Dealer, concesionario independiente de servicio autorizado) más cercano o al Servicio al Cliente de Powermate al 1-800-445-1805, o visite www.powermate.com para conocer los procedimientos de arranque, operación y mantenimiento. El propietario es responsable del mantenimiento adecuado y uso seguro de la unidad.

GUARDE ESTAS INSTRUCCIONES para referencia futura. Este manual contiene instrucciones importantes que se deben seguir durante la instalación, operación y mantenimiento de la unidad y sus componentes. Siempre entregue este manual a cualquier persona que vaya a usar esta unidad.

La información que aparece en este manual es precisa y está basada en productos fabricados en el momento en el que se editó esta publicación. El fabricante se reserva el derecho de hacer las actualizaciones técnicas, las correcciones y las revisiones de los productos que considere necesarias sin previo aviso.

Normas de seguridad

El fabricante no puede prever todas las posibles circunstancias que pueden suponer un peligro. Las alertas que aparecen en este manual, y en las etiquetas y los adhesivos pegados en la unidad no incluyen todos los peligros. Si se utiliza un procedimiento, método de trabajo o técnica de funcionamiento no recomendados específicamente por el fabricante, compruebe que sean seguros para otros usuarios y que no pongan en peligro el equipo.

En esta publicación y en las etiquetas y adhesivos pegados en la unidad, los bloques PELIGRO, ADVERTENCIA, PRECAUCIÓN y NOTA se utilizan para alertar al personal sobre instrucciones especiales relacionadas con un funcionamiento que puede ser peligroso si se realiza de manera incorrecta o

imprudente. Léalos atentamente y respete sus instrucciones. Las definiciones de alertas son las siguientes:

⚠️ PELIGRO

Indica una situación peligrosa que, si no se evita, ocasionará la muerte o lesiones graves.

(000001)

⚠️ ADVERTENCIA

Indica una situación peligrosa que, si no se evita, podría ocasionar la muerte o lesiones graves.

(000002)

⚠️ PRECAUCIÓN

Indica una situación riesgosa que, si no se evita, puede producir lesiones leves o moderadas.

(000003)

NOTA: Las notas incluyen información adicional importante para un procedimiento y se incluyen en el texto normal de este manual.

Estos avisos de seguridad no pueden eliminar los peligros que indican. Para evitar accidentes, es importante el sentido común y el seguimiento estricto de las instrucciones especiales cuando se realice la acción o la operación de mantenimiento.

Símbolos de seguridad y significados

⚠️ ¡PELIGRO!

Usar un generador en interiores LO PUEDE MATAR EN MINUTOS.
Los gases de escape del generador contienen monóxido de carbono. Este es un veneno que no se puede ver u oler.

--	--

NUNCA lo use dentro de una casa o garaje, AUN si la puerta y las ventanas se encuentran abiertas.

Use únicamente en EXTERIORES, y alejado de ventanas, puertas y ventilaciones.

000657



⚠️ PELIGRO

Asfixia. Los motores funcionando producen monóxido de carbono, un gas incoloro, inodoro, y venenoso. El monóxido de carbono, si no se evita, ocasionará la muerte o lesiones graves.

(000103)

- Si siente náuseas, mareos o debilidad después del funcionamiento del generador, salga INMEDIATAMENTE al aire fresco.

Busque atención médica ya que podría estar intoxicado con monóxido de carbono.



PELIGRO

Asfixia. El sistema de escape debe mantenerse adecuadamente. No altere ni modifique el sistema de escape ya que podría hacer que su funcionamiento sea inseguro o que no cumpla con los códigos y/o normativas locales. En caso de hacerlo, podría provocarse la muerte o lesiones graves.

(000179b)



PELIGRO

Electrocución. Si no se evita el contacto del agua con una fuente de alimentación, ocasionará la muerte o lesiones graves.

(000104)



PELIGRO

Electrocución. APAGUE el suministro de alimentación de emergencia y de la red eléctrica antes de conectar la fuente de alimentación y las líneas de carga. En caso de no hacerlo, podría provocar la muerte o lesiones graves.

(000116)

ADVERTENCIA

Daños a los equipos y la propiedad. No altere la construcción, instalación, o bloquee la ventilación para el generador. No hacer esto puede provocar el funcionamiento inseguro o dañar el generador.

(000146)



ADVERTENCIA

Asfixia. En interiores, utilice siempre una alarma de monóxido de carbono alimentada por pilas e instalada de acuerdo con las instrucciones de los fabricantes. En caso de no hacerlo, podría provocarse la muerte o lesiones graves.

(000178a)

ADVERTENCIA

Daños a los equipos y a la propiedad. No use la unidad sobre superficies desparejas, o en zonas con exceso de humedad, suciedad, polvo, o vapores corrosivos. Hacerlo puede ocasionar la muerte, lesiones graves y daños al equipo.

(000250)



ADVERTENCIA

Piezas en movimiento. Mantenga la ropa, cabello, y extremidades alejados de las piezas en movimiento. No hacerlo puede ocasionar la muerte o lesiones graves.

(000111)



ADVERTENCIA

Superficies calientes. Al usar la máquina, no toque las superficies calientes. Mantenga la máquina alejada de los combustibles durante el uso. Las superficies calientes pueden ocasionar quemaduras graves o incendio.

(000108)

ADVERTENCIA

Lesiones personales. No inserte objetos a través de las ranuras de enfriamiento de aire. El generador puede arrancar en cualquier momento y provocar la muerte, lesiones graves y daños en la unidad.

(000142a)

ADVERTENCIA

Riesgo de lesión. No opere ni realice tareas de reparación en esta máquina si no está completamente alerta. La fatiga puede desvirtuar la capacidad para proporcionar servicio a este equipo y puede ocasionar la muerte o lesiones graves.

(000215)

ADVERTENCIA

Lesiones o daños al equipo. No use el generador como un escalón. Hacerlo puede ocasionar caídas, piezas dañadas, funcionamiento inseguro del equipo, la muerte o lesiones graves.

(000216)

ADVERTENCIA

Daños al equipo. No intente poner en marcha u operar una unidad que necesita reparación o mantenimiento programado. Hacerlo podría producir lesiones graves, la muerte o fallos o daños del equipo.

(000291)

- Por motivos de seguridad, se recomienda que un IASD realice el mantenimiento de este equipo. Inspeccione regularmente el generador y comuníquese con el IASD más cercano en el caso de piezas que requieran reparación o reemplazo.



000406

Peligros de gases de escape y ubicación



PELIGRO

Asfixia. Los motores funcionando producen monóxido de carbono, un gas incoloro, inodoro, y venenoso. El monóxido de carbono, si no se evita, ocasionará la muerte o lesiones graves.

(000103)



PELIGRO

Asfixia. El sistema de escape debe mantenerse adecuadamente. No altere ni modifique el sistema de escape ya que podría hacer que su funcionamiento sea inseguro o que no cumpla con los códigos y/o normativas locales. En caso de hacerlo, podría provocarse la muerte o lesiones graves.

(000179b)



ADVERTENCIA

Asfixia. En interiores, utilice siempre una alarma de monóxido de carbono alimentada por pilas e instalada de acuerdo con las instrucciones de los fabricantes. En caso de no hacerlo, podría provocarse la muerte o lesiones graves.

(000178a)

⚠️ ADVERTENCIA

Daños a los equipos y la propiedad. No altere la construcción, instalación, o bloquee la ventilación para el generador. No hacer esto puede provocar el funcionamiento inseguro o dañar el generador.

(000146)

- Si siente náuseas, mareos o debilidad después del funcionamiento del generador, salga **INMEDIATAMENTE** al aire fresco. Busque atención médica ya que podría estar intoxicado con monóxido de carbono.
- **NUNCA** haga funcionar un generador en interiores o en un área parcialmente cerrada como los garajes.
- **SOLO** úselos en exteriores y lejos de ventanas, puertas, ventilaciones, sótanos de poca altura y en áreas con ventilación adecuada y donde no se acumulen gases de escape mortales.
- El uso de un ventilador o abrir una puerta no proporcionará una ventilación adecuada.
- Oriente el escape del silenciador lejos de los edificios habitados y las personas.

Peligros eléctricos



⚠️ PELIGRO

Electrocución. El contacto con cables, terminales, y conexiones desnudas mientras el generador está funcionando provocará la muerte o lesiones graves.

(000144)



⚠️ PELIGRO

Electrocución. Si no se evita el contacto del agua con una fuente de alimentación, ocasionará la muerte o lesiones graves.

(000104)



⚠️ PELIGRO

Electrocución. En caso de un accidente eléctrico, **APAGUE** de inmediato la alimentación eléctrica. Use implementos no conductores para liberar a la víctima del conductor alimentado. Aplique primeros auxilios y obtenga ayuda médica. No hacerlo ocasionará la muerte o lesiones graves.

(000145)

- El NEC (National Electric Code, Código Eléctrico Nacional) exige que el bastidor y las piezas externas conductoras de electricidad del generador estén conectados correctamente a un punto de tierra autorizado. Los códigos eléctricos locales también pueden exigir una conexión a tierra adecuada del generador. Consulte los requisitos de conexión a tierra del área a un electricista local.
- Utilice interruptores de protección contra fallas de conexión a tierra en áreas húmedas o de alta conductividad (tales como cubiertas metálicas o estructuras de acero).
- Después de arrancar el generador en el exterior, conecte las cargas eléctricas a los cables de extensión al interior.

Peligros de incendio



⚠️ PELIGRO

Explosión e incendio. El combustible y los vapores son extremadamente inflamables y explosivos. Añada combustible en una zona bien ventilada. Mantenga alejados el fuego y las chispas. No hacerlo puede ocasionar la muerte o lesiones graves.

(000105)



⚠️ PELIGRO

Explosión e incendio. No llene el depósito de combustible por encima de la línea de combustible. Deje que el combustible se expanda. Si lo llena en exceso puede hacer que el combustible se derrame en el motor provocando un incendio o explosión, lo cual podría provocar la muerte o lesiones graves.

(000214)



⚠️ PELIGRO

Riesgo de incendio. Deje que los derrames de combustible se sequen completamente antes de poner en marcha el motor. No hacerlo ocasionará la muerte o lesiones graves.

(000174)



⚠️ ADVERTENCIA

Riesgo de incendio. El combustible y los vapores son extremadamente inflamables. No ponga en funcionamiento la unidad en espacios interiores. Si lo hace, puede ocasionar daños en el equipo, en la propiedad, lesiones graves o incluso la muerte.

(000281)



⚠️ ADVERTENCIA

Peligro de explosión e incendio. No fume cerca de la unidad. Mantenga alejados el fuego y las chispas. No respetar esta recomendación puede ocasionar la muerte, lesiones graves o daños a la propiedad o los equipos.

(000282)



⚠️ ADVERTENCIA

Explosión e incendio. No fume mientras reposa la unidad. Si lo hace, puede ocasionar daños en el equipo, en la propiedad, lesiones graves o incluso la muerte.

(000284a)

- Deje una separación de al menos 5 pies (1,5 metros) en todos los costados del generador durante el funcionamiento para evitar sobrecalentamiento e incendios.
- No opere el generador si los dispositivos eléctricos conectados se sobrecalientan, si se pierde la potencia eléctrica, si el motor o el generador producen chispas o si se observan llamas o humo durante el funcionamiento de la unidad.
- Mantenga siempre un extintor cerca del generador.

Índice de normas

1. National Fire Protection Association (Asociación Nacional de Protección contra Incendios, NFPA) 70: NATIONAL ELECTRIC CODE (Código Eléctrico Nacional, NEC) disponible en www.nfpa.org
2. National Fire Protection Association (Asociación Nacional de Protección contra Incendios, NFPA) 5000: BUILDING CONSTRUCTION AND SAFETY CODE

(Código de Construcción y Seguridad en Edificios) disponible en www.nfpa.org

3. International Building Code (Código de Construcción Internacional) disponible en www.iccsafe.org
4. Agricultural Wiring Handbook (Manual de cableado agrícola) disponible en www.rerc.org, Rural Electricity Resource Council P.O. Box 309 Wilmington, OH 45177-0309
5. ASAE EP-364.2 Installation and Maintenance of Farm Standby Electric Power (Instalación y mantenimiento de alimentación eléctrica rural de reserva) disponible en www.asabe.org, American Society of Agricultural & Biological Engineers 2950 Niles Road, St. Joseph, MI 49085
6. CSA C22.2 100-14 Electric motors and generators for installation and use (Motores eléctricos y generadores para instalación y uso), de acuerdo con las reglas de Canadian Electrical Code (Código Eléctrico Canadiense)
7. ANSI/PGMA G300 Safety and Performance of Portable Generators (Seguridad y rendimiento de generadores portátiles). Portable Generator Manufacturer's Association (Asociación de Fabricantes de Generadores Portátiles), www.pgmaonline.com

NOTA IMPORTANTE: Esta lista no es exhaustiva. Consulte a la AHJ (Authority Having Jurisdiction, autoridad con jurisdicción) si existen normas o códigos locales que puedan corresponder a su jurisdicción.

Sección 2 Información general y configuración

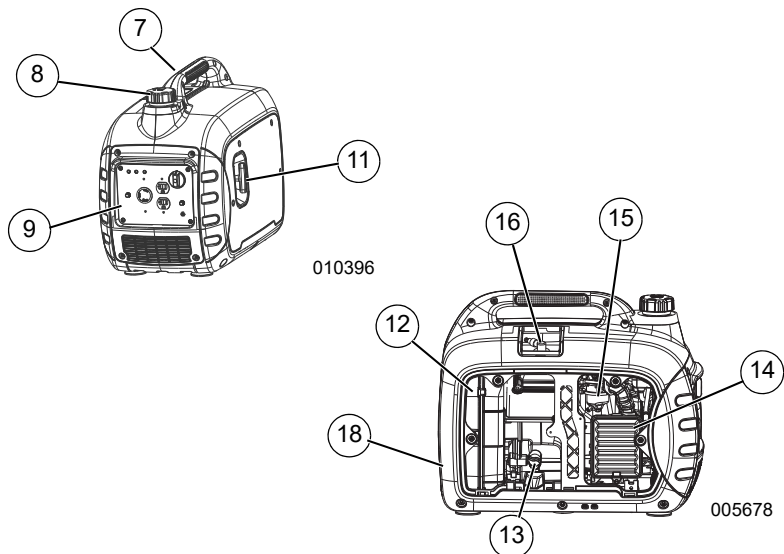


Figura 2-1. Controles y funciones

Componentes del generador

1	LED de aceite bajo (amarillo)
2	LED de sobrecarga (rojo)
3	LED de alimentación de CA (verde)
4	Disyuntor de CA
5	Ubicación de conexión a tierra
6	Receptáculo de 120 V, 20 A
7	Manillar
8	Tapa del tanque de combustible
9	Panel de control
10	Interruptor Apagado/Funcionamiento/ Estrangulador
11	Arrancador retráctil
12	Silenciador
13	Llenado/Drenaje de aceite
14	Filtro de aire
15	Carburador
16	Bujía
17	Receptáculo de 120 V, 30 A (NEMA L5-30R)
18	Parachispas

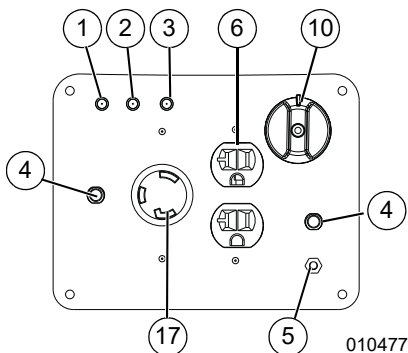


Figura 2-2. Panel de control

Conozca su generador



⚠ ADVERTENCIA
Consulte el manual. Lea y comprenda completamente el manual antes de usar el producto. No comprender completamente el manual puede provocar la muerte o lesiones graves.

(000100a)

Hay manuales del propietario de repuesto disponibles en www.powermate.com.

Emisiones

La US EPA (United States Environmental Protection Agency, Agencia de Protección Ambiental de los Estados Unidos) (y CARB [California Air Resources Board, Junta de Recursos del Aire de California], para motores y equipos certificados según las normas de California) requiere que este motor o equipo cumpla con las normas de emisiones de escape y evaporación. Ubique la calcomanía de cumplimiento de emisiones en el motor para determinar las normas aplicables. Consulte la garantía de emisiones incluida para obtener información al respecto. Siga las especificaciones de mantenimiento en este manual para garantizar que el motor cumpla con las normas de emisiones aplicables durante toda la vida útil del producto.

Especificaciones del producto

Especificaciones del generador	PM3000i
Potencia nominal	2300 W**
Potencia de sobrevoltaje transitorio	3000 VA
Voltaje de CA nominal	120 V
Carga de CA nominal a 120 V	19,2 amperios**
Frecuencia nominal	60 Hz
Dimensiones largo x ancho x alto (pulg./mm)	22,25 x 13,35 x 18,4 (565 x 339 x 467)
Peso (seco)	59,5 lb (27 kg)
** Rango de temperatura de funcionamiento: 20 °F (-6,7 °C) a 104 °F (40 °C). Si funciona a más de 77 °F (25 °C) puede que haya una disminución de la potencia.	
** La corriente y vataje máximos están sujetos y limitados por factores como contenido de Btu del combustible, temperatura ambiente, altitud, condición del motor, etc. La potencia máxima disminuye cerca de 3,5 % por cada 1.000 pies (305 metros) sobre el nivel del mar y también disminuirá cerca de 1 % por cada 10 °F (6 °C) sobre una temperatura ambiente de 60 °F (16 °C).	
Especificaciones del motor	
Tipo de motor	Un solo cilindro, 4 carreras
Desplazamiento	149 cc
Número de pieza de la bujía	0K95530157
Tipo de bujía	F7TC o equivalente
Separación de las bujías (pulg./mm)	0,024 a 0,028 (0,6 a 0,7)
Capacidad / Tipo de combustible	1,14 galones de EE. UU. (4,3 L) / Sin plomo
Tipo de aceite	Consulte la sección Adición de aceite del motor
Capacidad de aceite	0,6 qt (0,6 L)
Tiempo de funcionamiento al 50 % de la carga	4,5 horas
* Visite www.powermate.com o comuníquese con un IASD para obtener repuestos.	

Clavijas de conexión

Receptáculo doble de 120 V CA

El tomacorriente de 120 voltios tiene protección contra sobrecargas mediante un protector de circuitos de botón pulsador de 20 A. Consulte la [Figura 2-3](#).

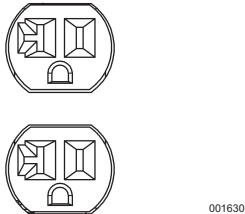


Figura 2-3. Receptáculo doble de 120 V CA

Receptáculo de 120 V CA, 30 A

Use un enchufe NEMA L5-30R con este receptáculo. Conecte un juego de cables de 3 hilos adecuado a la clavija y carga deseada. El juego de cables debe tener una clasificación para 125 V CA a 30 A (o superior). Consulte la [Figura 2-4](#).

Use este receptáculo para operar cargas monofásicas de 120 V CA, 60 Hz, que requieran hasta 3000 vatios, 25 A de potencia de arranque y 2300 vatios de potencia continua a 19,2 A. El tomacorriente está protegido con un disyuntor de tipo presionar para restablecer de 20 A.

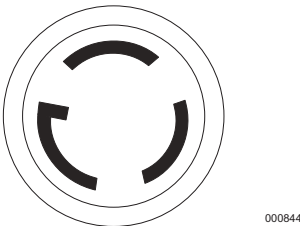


Figura 2-4. Receptáculo de 120 V CA, 30 A NEMA L5-30R

Interruptor Apagado/ Funcionamiento/Estrangulador

Controla las funciones de arranque, detención, estrangulamiento y el funcionamiento de la válvula de combustible. Consulte la [Figura 2-5](#).

- La posición APAGADO (1) detiene el motor y cierra el paso de combustible.

- La posición FUNCIONAMIENTO (2) se usa para el funcionamiento normal y para reducir gradualmente el uso del estrangulador.
- La posición ESTRANGULADOR (3) abre la válvula de combustible para arrancar el motor.

NOTA: La posición ESTRANGULADOR no es necesaria para arrancar un motor caliente.

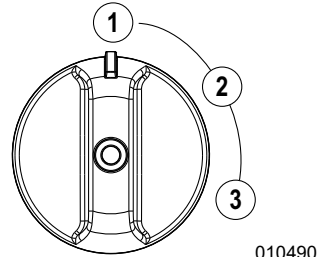


Figura 2-5. Interruptor (ejemplo)

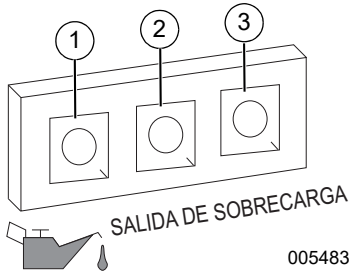
RPM+

Las RPM del motor están optimizadas para reducir el consumo de combustible y el ruido.

Luces de estado del generador

Consulte la [Figura 2-6](#).

- **LED de sobrecarga (rojo):** Indica una sobrecarga del sistema (2). Durante el arranque del motor, es normal que se encienda el LED de sobrecarga por algunos segundos. Si el LED se queda encendido y el LED Listo se apaga, el motor seguirá en funcionamiento sin suministrar potencia de salida. Retire todas las cargas aplicadas y determine si los dispositivos conectados superan la potencia de salida recomendada. Revise si hay conexiones defectuosas o cortocircuitadas. Para restablecer la potencia eléctrica, gire el dial a la posición APAGADO. Arranque el motor. Si se corrigió la condición, el LED naranja no se encenderá y se restablecerá la potencia eléctrica. Las cargas se pueden aplicar una vez que se encienda el LED verde. Si vuelve a encenderse el LED naranja, comuníquese con un IASD.
- **LED de bajo nivel de aceite (amarillo)** Se enciende cuando el nivel de aceite está por debajo del nivel de funcionamiento seguro. Se apaga el motor (1).
- **LED de encendido (verde):** Indica salida desde el generador (3) (a menos que haya una condición de nivel bajo de aceite o sobrecarga).



005483

Figura 2-6. Indicadores de estado

Protectores de circuito

Los receptáculos de CA están protegidos con un protector de circuito de CA. Si el generador está sobrecargado u ocurre un cortocircuito externo, se activará el protector de circuito. Si esto ocurre, desconecte todas las cargas eléctricas para determinar la causa del problema antes de volver a usar el generador. Reduzca la carga si es que se activa el protector de circuito.

NOTA: La activación continua del protector de circuito puede provocar daños al generador o a los equipos.

Presione el botón del protector para restablecerlo.

Retire el contenido de la caja

1. Corte cada esquina de la caja desde arriba hasta abajo para abrirla.
2. Retire y verifique el contenido de la caja antes del montaje. El contenido de la caja debería ser el siguiente:

Accesorios

Elemento	Cant.
Unidad principal	1
Manual del propietario	1
Aceite de motor	1
Embudo de aceite	1
Kit de herramientas	1
Garantía de mantenimiento	1
Garantía de emisiones	1

3. Llame a Servicio al Cliente de Powermate al 1-800-445-1805 con el número de modelo y de serie de la unidad si falta algo del contenido de la caja.
4. Registre el modelo, el número de serie y la fecha de compra en la portada de este manual.

Adición de aceite del motor

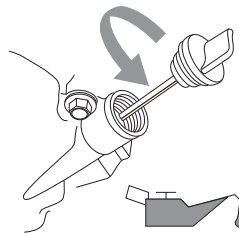
PRECAUCIÓN

Daño al motor. Verifique el tipo y la cantidad apropiados del aceite del motor antes de poner en marcha el motor. No hacer esto puede provocar daños al motor.

(000135)

NOTA: El generador se envía sin aceite en el motor. Agregue el aceite lentamente y verifique constantemente el nivel de aceite durante el proceso de llenado para asegurarse de que no se rebese.

1. Coloque el generador en una superficie nivelada.
2. Retire los tornillos y la cubierta lateral.
3. Verifique que el área de llenado de aceite esté limpia.
4. Retire la tapa de la abertura de llenado de aceite y limpie la varilla de nivel. Consulte la [Figura 2-7](#).

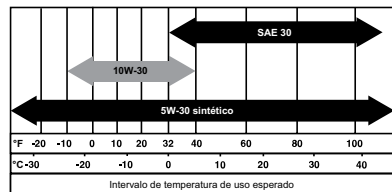


000115

Figura 2-7. Retiro de la varilla del nivel

5. Introduzca el embudo en la abertura de llenado de aceite. Agregue el aceite de motor recomendado según sea necesario. El clima determina la viscosidad adecuada del aceite del motor. Consulte el gráfico a continuación para seleccionar la viscosidad correcta.

NOTA: Use aceite a base de petróleo (que incluye) para la prueba de funcionamiento del motor antes de usar aceite sintético.



000399

6. Para revisar el nivel de aceite, retire el embudo e introduzca la varilla de nivel de aceite en el cuello de llenado de aceite sin enroscarla. Consulte la [Figura 2-8](#).

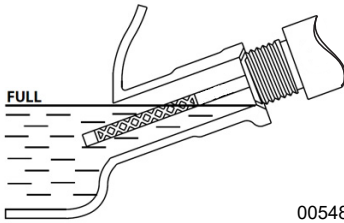


Figura 2-8. Rango de funcionamiento seguro

7. Retire la varilla de nivel de aceite y verifique que el nivel de aceite se encuentre dentro del rango de funcionamiento seguro.

NOTA: Verifique constantemente el nivel de aceite durante el proceso de llenado para asegurarse de que no se rebose.

8. Instale la varilla de nivel y la tapa de la abertura de llenado de aceite y apriete manualmente.
9. Instale el panel lateral y los tornillos.

Combustible



PELIGRO

Explosión e incendio. El combustible y los vapores son extremadamente inflamables y explosivos. Añada combustible en una zona bien ventilada. Mantenga alejados el fuego y las chispas. No hacerlo puede ocasionar la muerte o lesiones graves.

(000105)



PELIGRO

Explosión e incendio. No llene el depósito de combustible por encima de la línea de combustible. Deje que el combustible se expanda. Si lo llena en exceso puede hacer que el combustible se derrame en el motor provocando un incendio o explosión, lo cual podría provocar la muerte o lesiones graves.

(000214)

Los requisitos de combustible son los siguientes:

- Gasolina limpia, nueva y sin plomo.
 - Clasificación mínima de 87 octanos/87 AKI (91 RON).
 - Hasta un 10 % de etanol (gasohol) es aceptable.
 - NO use E85.
 - NO use una mezcla de gas y aceite.
 - NO modifique el motor para que funcione con combustibles alternativos. Establece el combustible antes del almacenamiento.
1. Verifique que la unidad esté APAGADA y completamente fría antes de colocarle combustible.
 2. Coloque la unidad en un terreno nivelado y en un área bien ventilada.
 3. Limpie el área alrededor de la tapa de combustible.
 4. Gire la tapa lentamente para retirarla.
 5. Agregue lentamente el combustible recomendado. No llene en exceso.
 6. Instale la tapa de combustible.

NOTA: Deje que el combustible derramado se evapore antes de arrancar la unidad.

NOTA IMPORTANTE: Es importante evitar que se formen depósitos de goma en las piezas del sistema de combustible, como el carburador, la manguera de combustible o el tanque durante el almacenamiento. Los combustibles mezclados con alcohol (llamados gasohol, etanol o metanol) pueden atraer humedad, lo que llevará a la separación y formación de ácidos durante el almacenamiento. El gas ácido puede dañar el sistema de combustible de un motor mientras está en almacenamiento. Para evitar problemas del motor, se debe vaciar el sistema de combustible antes de almacenarlo por 30 días o más. Consulte la sección [Almacenamiento](#). Nunca use productos limpiadores de motor o carburador en el tanque de combustible, ya que se pueden producir daños permanentes.

Sección 3 Operación

Preguntas sobre la operación y el uso

Llame a Servicio al Cliente de Powermate al 1-800-445-1805 si tiene preguntas o inquietudes acerca de la operación y el mantenimiento del equipo.

Antes de arrancar el motor

1. Verifique que el nivel de aceite del motor sea correcto.
2. Verifique que el nivel de combustible sea correcto.
3. Verifique que la unidad esté en un terreno nivelado, con la separación adecuada y que se encuentre en un área bien ventilada.

Preparación del generador para su uso



PELIGRO

Asfixia. Los motores funcionando producen monóxido de carbono, un gas incoloro, inodoro, y venenoso. El monóxido de carbono, si no se evita, ocasionará la muerte o lesiones graves.

(000103)



PELIGRO

Asfixia. El sistema de escape debe mantenerse adecuadamente. No altere ni modifique el sistema de escape ya que podría hacer que su funcionamiento sea inseguro o que no cumpla con los códigos y/o normativas locales. En caso de hacerlo, podría provocarse la muerte o lesiones graves.

(000179b)



ADVERTENCIA

Riesgo de incendio. No use el generador sin el supresor de chispas. No hacerlo puede ocasionar la muerte o lesiones graves.

(000118a)



ADVERTENCIA

Asfixia. En interiores, utilice siempre una alarma de monóxido de carbono alimentada por pilas e instalada de acuerdo con las instrucciones de los fabricantes. En caso de no hacerlo, podría provocarse la muerte o lesiones graves.

(000178a)



ADVERTENCIA

Riesgo de incendio. Las superficies calientes pueden encender combustibles, produciendo un incendio. El incendio puede ocasionar la muerte o lesiones graves.

(000110)



ADVERTENCIA

Superficies calientes. Al usar la máquina, no toque las superficies calientes. Mantenga la máquina alejada de los combustibles durante el uso. Las superficies calientes pueden ocasionar quemaduras graves o incendio.

(000108)

PRECAUCIÓN

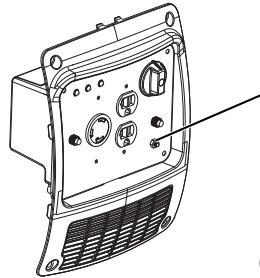
Daños a los equipos y la propiedad. Desconecte las cargas eléctricas antes de poner en marcha o parar la unidad. No hacer esto puede provocar daños al equipo y la propiedad.

(000136)

Conexión a tierra del generador durante su uso

El generador está equipado con una conexión a tierra del equipo que conecta su bastidor y los terminales de conexión a tierra en los receptáculos de salida de CA (consulte NEC 250.34 [A]). Esto permite que el generador se utilice como equipo portátil sin conectar a tierra su bastidor como se especifica en NEC 250.34. Consulte la [Figura 3-1](#).

- Neutro flotante



010481

Figura 3-1. Conexión a tierra del generador

El generador (devanado del estator) está aislado del bastidor y de la clavija de tierra del receptáculo de CA. Los dispositivos eléctricos que requieren una conexión de clavija de receptáculo conectada a tierra no funcionarán si la clavija de tierra del receptáculo no funciona.

Conozca los límites del generador

La sobrecarga de un generador puede provocar daños en él y en los dispositivos eléctricos conectados. Respete lo siguiente para evitar sobrecargas:

- Sume el vataje total de todos los dispositivos eléctricos que se van a conectar a la vez. Este total NO debe ser superior a la capacidad de vataje del generador.
- El vataje nominal de las luces se puede obtener en las bombillas. El vataje nominal de las herramientas, artefactos y motores se puede encontrar en una calcomanía o etiqueta de datos adherida al dispositivo.

- Si el artefacto, herramienta o motor no entrega vataje, multiplique los voltios por la clasificación de amperaje para determinar los vatios (voltios x amperios = vatios).
 - Algunos motores eléctricos, como los de inducción, requieren aproximadamente tres veces más vatios de potencia para arrancar que para funcionar. Este sobrevoltaje transitorio de potencia solo dura unos pocos segundos durante el arranque de dichos motores. Asegúrese de permitir un alto vataje de arranque cuando seleccione los dispositivos eléctricos que se van a conectar al generador.
1. Calcule los vatios necesarios para arrancar el motor más grande.
 2. Agregue a dicho cálculo los vatios de funcionamiento de todas las otras cargas conectadas.

La **Guía de referencia de vataje** se proporciona para facilitar la determinación de la cantidad de elementos que el generador puede operar a la vez.

NOTA: Todas las cifras son aproximadas. Consulte la etiqueta de datos en el artefacto para conocer los requisitos de vataje.

Guía de referencia de vataje

Dispositivo	Vatios de funcionamiento
*Climatizador (12.000 BTU)	1700
*Climatizador (24.000 BTU)	3800
*Climatizador (40.000 BTU)	6000
Cargador de batería (20 A)	500
Lijadora de correa (3 pulg.)	1000
Sierra de cadena	1200
Sierra circular (7-1/4 pulg.)	1250 a 1400
*Secadora de ropa (eléctrica)	5750
*Secadora de ropa (a gas)	700
*Lavadora de ropa	1150
Cafetera	1750
*Compresor (1 HP)	2000
*Compresor (3/4 HP)	1800
*Compresor (1/2 HP)	1400
Plancha rizador	700
*Deshumidificador	650
Lijadora de disco (9 pulg.)	1200
Orilladora	500
Manta eléctrica	400
Pistola de clavos eléctrica	1200
Cocina eléctrica (por elemento)	1500
Sartén eléctrico	1250
*Congelador	700
*Ventilador de caldera (3/5 HP)	875
*Abridor de puertas de garaje	500 a 750
Secador de pelo	1200

Taladro manual	250 a 1100
Cortasetos	450
Llave de impacto	500
Plancha	1200
*Bomba de chorro	800
Cortacésped	1200
Bombilla	100
Horno microondas	700 a 1000
*Enfriador de leche	1100
Quemador de aceite en caldera	300
Calentador ambiental a aceite (140.000 BTU)	400
Calentador ambiental a aceite (85.000 BTU)	225
Calentador ambiental a aceite (30.000 BTU)	150
*Pulverizador de pintura, sin aire (1/3 HP)	600
Pulverizador de pintura, sin aire (manual)	150
Radio	50 a 200
*Refrigerador	700
Olla de cocción lenta	200
*Bomba sumergible (1-1/2 HP)	2800
*Bomba sumergible (1 HP)	2000
*Bomba sumergible (1/2 HP)	1500
*Bomba de sumidero	800 a 1050
*Sierra de mesa (10 pulg.)	1750 a 2000
Televisor	200 a 500
Tostadora	1000 a 1650
Desbrozadora	500
* Permita que haya 3 veces los vatios señalados para arrancar estos dispositivos.	

Transporte/inclinación de la unidad

No almacene o transporte la unidad en un ángulo superior a 15 grados.

Arranque de motores de arranque retráctil



⚠ ADVERTENCIA

Riesgo del arranque con cuerda. El arranque con cuerda puede reaccionar inesperadamente. El contragolpe puede ocasionar la muerte o lesiones graves.

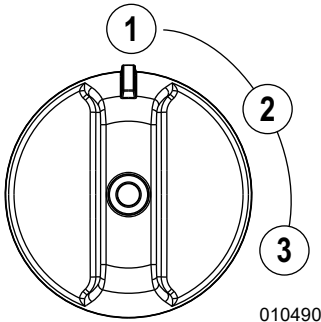
(000183)

⚠ PRECAUCIÓN

Daños a los equipos y la propiedad. Desconecte las cargas eléctricas antes de poner en marcha o parar la unidad. No hacer esto puede provocar daños al equipo y la propiedad.

(000136)

1. Consulte la **Figura 3-2**. Gire el interruptor Apagado/Funcionamiento/Estrangulador a la posición ESTRANGULADOR (3).
2. Sujete firmemente la manilla retráctil y jale lentamente hasta sentir una mayor resistencia. Jale rápidamente hacia arriba y hacia afuera.



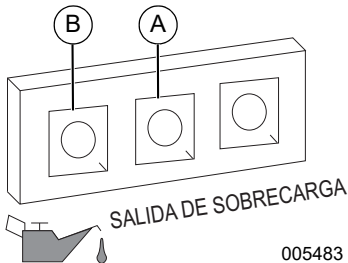
010490

Figura 3-2. Posiciones Apagado/Funcionamiento/Estrangulador

3. Consulte la **Figura 3-2**. Cuando el motor arranque, gire el dial Apagado/Funcionamiento/Estrangulador a FUNCIONAMIENTO (2). La función de estrangulamiento se va reduciendo a medida que se gira el dial Apagado/Funcionamiento/Estrangulador hacia FUNCIONAMIENTO.

NOTA: Si el motor se enciende, pero no sigue funcionando, gire el dial Apagado/Funcionamiento/Estrangulador a la posición APAGADO y repita los pasos de arranque.

NOTA IMPORTANTE: No sobrecargue el generador ni los receptáculos individuales del panel. Consulte la **Figura 3-3**. Si ocurre una sobrecarga, se encenderá el LED de sobrecarga (A) y se cortará la salida de CA. Para corregir esta situación, consulte **Luces de estado del generador**. Lea **Conozca los límites del generador** detenidamente.



005483

Figura 3-3. Falla de desconexión

Desconexión del generador

PRECAUCIÓN

Daños a los equipos y la propiedad. Desconecte las cargas eléctricas antes de poner en marcha o parar la unidad. No hacer esto puede provocar daños al equipo y la propiedad.

(000136)

1. Apague todas las cargas y desconecte las cargas eléctricas de los receptáculos del panel del generador.
2. Deje que el motor funcione sin carga varios minutos para estabilizar las temperaturas internas del motor y el generador.
3. Consulte la **Figura 3-2**. Gire el dial Apagado/Funcionamiento/Estrangulador a APAGADO (3).

Arranque de motores calientes

PRECAUCIÓN

Daños a los equipos y la propiedad. Desconecte las cargas eléctricas antes de poner en marcha o parar la unidad. No hacer esto puede provocar daños al equipo y la propiedad.

(000136)

1. Consulte la **Figura 3-2**. Gire el dial Apagado/Funcionamiento/Estrangulador de la posición APAGADO a FUNCIONAMIENTO. Esto abrirá la válvula de combustible y permitirá el arranque.
2. Sujete firmemente la manilla retráctil y jale lentamente hasta sentir una mayor resistencia. Jale rápidamente hacia arriba y hacia afuera.

Sistema de desconexión por bajo nivel de aceite

El motor está equipado con un sensor de nivel bajo de aceite que apaga automáticamente el motor cuando el nivel de aceite disminuye a menos de un nivel determinado, para evitar daños al motor. Consulte la **Figura 3-3** (B). El motor no funcionará hasta que el aceite se llene hasta un nivel adecuado.

NOTA IMPORTANTE: Verifique los niveles correctos de combustible y aceite del motor antes de usar.

Sección 4 Mantenimiento y solución de problemas

Mantenimiento

El mantenimiento regular mejorará el rendimiento y prolongará la vida útil del motor/equipo. El fabricante recomienda que todo el trabajo de mantenimiento sea efectuado por un IASD. El mantenimiento regular, sustitución o reparación de los dispositivos y sistemas de control de emisiones puede ser efectuado por cualquier taller de reparaciones o mecánico elegido por el propietario. Sin embargo, para obtener servicio de garantía gratuito, el trabajo debe ser efectuado por un IASD. Vea la garantía de emisiones.

NOTA: Llame a Servicio al Cliente de Powermate al 1-800-445-1805 si tiene preguntas acerca del reemplazo de los componentes.

Programa de mantenimiento

Siga los intervalos del programa de mantenimiento, lo que ocurra primero según el uso.

NOTA: Las condiciones adversas requerirán un mantenimiento más frecuente.

NOTA: Todos los mantenimientos y ajustes necesarios se deben realizar como se detalla en la siguiente tabla.

En cada uso
Revise el nivel del aceite del motor
Cada 100 horas o cada 6 meses
Limpie o reemplace el filtro de aire**
Cambie el aceite ‡
Rejilla del silenciador
Limpie/reemplace el parachispas
Cada 300 horas o cada año*
Reemplazo de la bujía
Reemplace el filtro de combustible +
Ajuste de la separación de la válvula
Revise o reemplace la manguera del respiradero del cárter
Revise los conectores y sujetadores +

- ‡ Cambie el aceite después del primer mes o 20 horas de funcionamiento.
- + Esto lo debe realizar un IASD.
- * Cambie el aceite cada mes cuando el funcionamiento sea bajo carga pesada o en altas temperaturas.
- ** Limpie con mayor frecuencia en condiciones de funcionamiento sucias o polvorientas. Reemplace las piezas del filtro de aire si no se pueden limpiar adecuadamente.
- *** Revise la separación de la válvula y ajústela si es necesario después de las primeras 50 horas de funcionamiento y cada 300 horas posteriormente.

Mantenimiento preventivo

La suciedad y los residuos pueden provocar un funcionamiento inadecuado y daños en el equipo. Limpie el generador diariamente o antes de cada uso. Mantenga sin residuos combustibles el área alrededor y detrás del silenciador. Inspeccione todas las aberturas de aire de enfriamiento en el generador.

ADVERTENCIA

Lesiones personales. No inserte objetos a través de las ranuras de enfriamiento de aire. El generador puede arrancar en cualquier momento y provocar la muerte, lesiones graves y daños en la unidad.

(000142a)

- Use un paño húmedo para limpiar las superficies exteriores.
- Use un cepillo de cerdas suaves para soltar las costras de suciedad, el aceite, etc.
- Use una aspiradora para recoger la suciedad y los residuos sueltos.
- Se puede usar un soplador a baja presión (que no sobrepase los 25 psi [172 kPa]) para retirar la suciedad. Inspeccione las ranuras y aberturas de aire de ventilación en el generador. Estas aberturas se deben mantener limpias y sin obstrucciones.

NOTA: NO use una manguera de jardín para limpiar el generador. El agua puede entrar al sistema de combustible del motor y provocar problemas. Si entra agua al generador a través de las ranuras de aire de enfriamiento, parte de esta puede quedar en los huecos y las grietas del aislamiento del devanado del estator y el rotor. La acumulación de agua y suciedad en los devanados internos del generador disminuirá la resistencia del aislamiento de los devanados.

Mantenimiento del motor

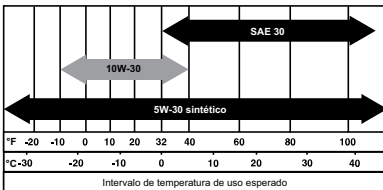
⚠ ADVERTENCIA

Arranque accidental. Desconecte los cables de las bujías al trabajar en la unidad. No hacerlo puede ocasionar la muerte o lesiones graves.

(000141)

Recomendaciones de aceite del motor

Para mantener la garantía del producto, el aceite de motor se debe mantener conforme a las recomendaciones de este manual. Para su comodidad, hay disponibles kits de mantenimiento para usar en este producto que incluyen aceite de motor, filtro de aceite, bujía(s), una toalla de taller y embudo. Estos kits se pueden obtener de un IASD.



000399

Inspeccione el nivel de aceite del motor



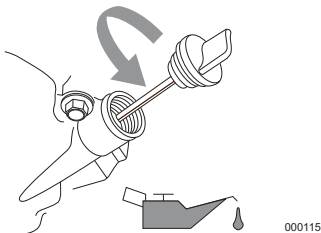
⚠ ADVERTENCIA

Riesgo de quemaduras. Espere a que el motor se enfríe antes de vaciar el aceite o el refrigerante. No hacerlo puede ocasionar la muerte o lesiones graves.

(000139)

Inspeccione el nivel de aceite del motor antes de cada uso o cada 8 horas de funcionamiento.

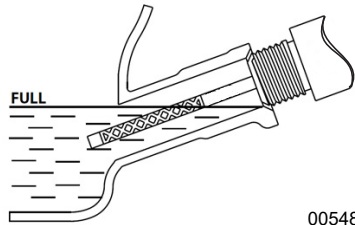
1. Coloque el generador en una superficie nivelada.
2. Retire los tornillos y la cubierta lateral.
3. Limpie el área alrededor de la tapa de la abertura de llenado de aceite.
4. Retire la tapa de la abertura de llenado de aceite y limpie la varilla de nivel. Consulte la [Figura 4-1](#).



000115

Figura 4-1. Llenado de aceite del motor

5. Para revisar el nivel de aceite, introduzca la varilla de nivel de aceite en el cuello de llenado de aceite sin enroscarla. Consulte la [Figura 4-2](#).



005484

Figura 4-2. Rango de funcionamiento seguro

6. Retire la varilla de nivel de aceite y verifique que el nivel de aceite se encuentre dentro del rango de funcionamiento seguro.
 7. Agregue el aceite de motor recomendado según sea necesario.
- NOTA:** Verifique constantemente el nivel de aceite durante el proceso de llenado para asegurarse de que no se rebose.
8. Instale la varilla de nivel y la tapa de la abertura de llenado de aceite y apriete manualmente.
 9. Instale el panel lateral y los tornillos.

NOTA: Algunas unidades tienen más de una ubicación de llenado de aceite. Solo se requiere usar un punto de llenado de aceite.

Cambio de aceite del motor

⚠ ADVERTENCIA

Arranque accidental. Desconecte los cables de las bujías al trabajar en la unidad. No hacerlo puede ocasionar la muerte o lesiones graves.

(000141)

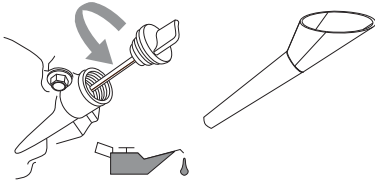
Cuando el generador se use en condiciones extremas de suciedad y polvo o en climas sumamente calurosos, debe cambiar el aceite con mayor frecuencia.

NOTA: No contamine. Conserve los recursos. Devuelva el aceite usado a los centros de recolección.

Cambie el aceite mientras el motor aún está tibio por el funcionamiento de la siguiente manera:

1. Coloque el generador en una superficie nivelada.
2. Retire los tornillos, la cubierta lateral y la cubierta de la bujía.
3. Desconecte el hilo de la bujía y colóquelo en un lugar donde no pueda tener contacto con la bujía.
4. Limpie el área alrededor de la tapa de la abertura de llenado de aceite y el tapón de drenaje de aceite.

5. Retire la tapa de la abertura de llenado de aceite y limpie la varilla de nivel.
6. Incline la unidad y drene el aceite completamente en un recipiente adecuado.
7. Una vez que se haya vaciado suficiente aceite de la unidad, instale el tapón de drenaje de aceite y apriete firmemente.
8. Introduzca el embudo en la abertura de llenado de aceite. Consulte la [Figura 4-3](#). Agregue el aceite de motor recomendado según sea necesario.



002404

Figura 4-3. Abertura de llenado de aceite con embudo

9. Para revisar el nivel de aceite, retire el embudo e introduzca la varilla de nivel de aceite en el cuello de llenado de aceite sin enroscarla. Consulte la [Figura 4-2](#).
10. Retire la varilla de nivel de aceite y verifique que el nivel de aceite se encuentre dentro del rango de funcionamiento seguro.

NOTA: Verifique constantemente el nivel de aceite durante el proceso de llenado para asegurarse de que no se rebose.

11. Instale la varilla de nivel y la tapa de la abertura de llenado de aceite y apriete manualmente.
12. Limpie el aceite derramado.
13. Instale el panel lateral los tornillos y la cubierta de la bujía.
14. Elimine adecuadamente el aceite de acuerdo con todos los reglamentos pertinentes.

Filtro de aire

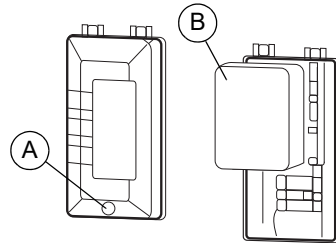
El motor no funcionará adecuadamente y puede resultar dañado si se hace funcionar con un filtro de aire sucio. Realice el mantenimiento del filtro de aire con mayor frecuencia en condiciones polvorientas y sucias.

Para realizar el mantenimiento del filtro de aire:

1. Destornille el perno (A) y retire la cubierta del filtro de aire. Consulte la [Figura 4-4](#).
2. Lave el filtro (B) en agua con jabón. Apriételo en un paño limpio para secarlo (NO LO TUERZA).
3. Limpie la cubierta del filtro de aire antes de instalarla.

4. Vuelva a colocar la cubierta lateral y los tornillos.

NOTA: Para solicitar un filtro de aire nuevo, comuníquese con el Centro de Servicio autorizado más cercano en el número 1-800-445-1805.



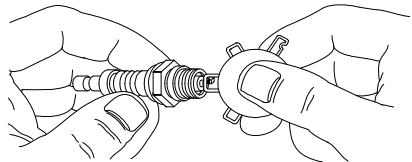
005486

Figura 4-4. Conjunto de filtro de aire

Realice mantenimiento a la bujía

Para realizarle mantenimiento a la bujía:

1. Retire la cubierta de la bujía y desconecte el hilo de la bujía. Consulte la [Figura 2-1](#).
2. Limpie el área alrededor de la bujía.
3. Retire e inspeccione la bujía.
4. Compruebe la separación de los electrodos con una galga de espesores y ajuste la separación de las bujías a un rango de 0,024 a 0,028 pulg. (0,6 a 0,7 mm). Consulte la [Figura 4-5](#).



000211

Figura 4-5. Bujía

NOTA: Reemplace la bujía si los electrodos están picados, quemados o si la porcelana está agrietada. SOLO use la bujía de repuesto recomendada. Consulte [Especificaciones del producto](#).

5. Instale la bujía con la mano, y luego apriétela entre 3/8 y 1/2 vuelta más con la llave para bujías.

Inspeccione el silenciador y el parachispas

NOTA: Constituye un incumplimiento del Código de Recursos Públicos de California, Sección 4442, usar u operar un motor en cualquier terreno cubierto de césped, maleza o bosques salvo que el sistema de escape

esté equipado con un parachispas, tal como se define en la Sección 4442, que se mantenga en condiciones de funcionamiento eficaces. Otros estados o jurisdicciones federales pueden tener leyes similares.

Comuníquese con el fabricante del equipo original, con la tienda minorista o el concesionario para obtener un parachispas diseñado para el sistema de escape instalado en este motor.

NOTA: Use SOLO repuestos originales del equipo.

Inspeccione si hay grietas, corrosión u otros daños en el silenciador. Retire el parachispas, si está equipado, e inspeccione si tiene daños u obstrucciones de carbono. Reemplace las piezas según se requiera.

Inspeccione la rejilla del parachispas



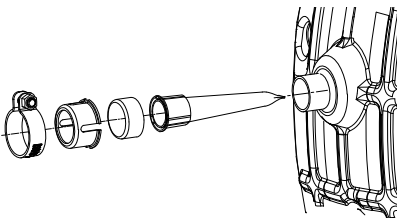
ADVERTENCIA
Superficies calientes. Al usar la máquina, no toque las superficies calientes. Mantenga la máquina alejada de los combustibles durante el uso. Las superficies calientes pueden ocasionar quemaduras graves o incendio. (000108)

Limpieza de la rejilla del parachispas

El silenciador del motor tiene una rejilla en el parachispas. Inspeccione y limpie la rejilla cada 100 horas de funcionamiento o cada seis meses, lo que ocurra primero.

Para realizarle mantenimiento al parachispas:

1. Consulte la **Figura 4-6**. Retire la abrazadera para sacar el retén.
2. Deslice las rejillas del parachispas para sacarlas del tubo de salida del silenciador.
3. Inspeccione las rejillas y reemplácelas si están rotas, perforadas o dañadas de alguna manera. NO use una rejilla defectuosa. Si la rejilla no está dañada, límpiela con un solvente comercial.
4. Reemplace las rejillas y el retén y fíjelas con una abrazadera.



010475

Figura 4-6. Rejilla del parachispas

Separación de la válvula

Importante: Comuníquese con un Concesionario de servicio autorizado independiente para obtener ayuda de servicio. La luz de válvulas correcta es esencial para prolongar la vida útil del motor.

Revise la separación de la válvula después de las primeras cincuenta horas de funcionamiento. Ajuste según sea necesario.

- Entrada: 0,004 ± 0,001 pulg. (0,10 ± 0,02 mm) (fría)
- Escape: 0,004 ± 0,001 pulg. (0,10 ± 0,02 mm) (fría)

Almacenamiento

General



PELIGRO

Explosión e incendio. El combustible y los vapores son extremadamente inflamables y explosivos. Almacene el combustible en una zona bien ventilada. Mantenga alejados el fuego y las chispas. No hacerlo ocasionará la muerte o lesiones graves. (000143)



ADVERTENCIA

Riesgo de incendio. Verifique que la máquina se haya enfriado apropiadamente antes de instalar una cubierta y almacenar la máquina. Las superficies calientes pueden ocasionar un incendio. (000109)

Se recomienda arrancar y hacer funcionar el generador durante 30 minutos cada 30 días. Si no es posible, consulte la siguiente lista para preparar la unidad para el almacenamiento.

- NO coloque una cubierta de almacenamiento sobre un generador caliente. Deje que la unidad se enfríe a temperatura ambiente antes del almacenamiento.
- NO almacene combustible de una estación a otra, salvo que tenga el tratamiento adecuado.
- Reemplace el recipiente de combustible si tiene óxido. El óxido en el combustible puede provocar problemas en el sistema de combustible.
- Cubra la unidad con una cubierta protectora adecuada y resistente a la humedad.
- Almacene la unidad en un área limpia y seca.
- Siempre almacene el generador y el combustible lejos de fuentes de encendido y calor.

Preparación del motor y el sistema de combustible para el almacenamiento

El combustible almacenado por más de 30 días puede estar en mal estado y dañar los componentes del sistema de combustible. Mantenga el combustible fresco; utilice un estabilizador de combustible.

Si se agrega estabilizador al sistema de combustible, prepare y haga funcionar el motor para almacenamiento a largo plazo. Hágalo funcionar de 10 a 15 minutos para que el estabilizador circule a través del sistema de combustible. El combustible preparado adecuadamente se puede almacenar por hasta 24 meses.

NOTA: Si no se ha tratado con estabilizador de combustible, se debe vaciar en un recipiente aprobado. Haga funcionar el motor hasta que se detenga por la falta de combustible. Se recomienda usar estabilizador de combustible en el recipiente de almacenamiento del combustible para mantenerlo fresco.

1. Cambie el aceite del motor.
2. Retire la bujía.
3. Vierta una cucharada (5 a 10 cc) de aceite de motor limpio o rocíe un agente humidificador adecuado dentro del cilindro.



ADVERTENCIA

Pérdida de la visión. Es obligatorio llevar protección ocular para evitar las salpicaduras procedentes de la cavidad de la bujía al girar el motor. De lo contrario, se puede provocar la pérdida de la visión.

(000181)

4. Jale el arrancador retráctil varias veces para distribuir aceite en el cilindro.
5. Instale la bujía.
6. Jale lentamente la manilla retráctil hasta sentir resistencia. Esto cerrará las válvulas para que la humedad no pueda ingresar al cilindro del motor. Suelte suavemente la manilla retráctil.

Cambio de aceite

Cambie el aceite del motor antes del almacenamiento. Consulte [Cambio de aceite del motor](#).

Solución de problemas

PROBLEMA	CAUSA	CORRECCIÓN
El motor no arranca.	<ol style="list-style-type: none"> 1. Dial en posición de apagado. 2. No hay combustible. 3. La bujía está defectuosa. 4. Filtro de combustible obstruido. 5. Dial defectuoso o atascado. 6. Nivel incorrecto del aceite del motor. 7. La bobina de encendido está defectuosa. 8. El carburador está inundado. 9. La placa del estrangulador está cerrada. 	<ol style="list-style-type: none"> 1. Gire el dial a posición de marcha. 2. Llene el tanque de combustible. 3. Reemplace la bujía. 4. Revise el combustible y el filtro de combustible. 5. Comuníquese con un IASD. 6. Revise o llene el aceite del motor. 7. Comuníquese con un IASD. 8. Vacíe el carburador. 9. Abra la placa del estrangulador (empuje hacia la parte trasera de la unidad).
El motor arranca y luego se apaga.	<ol style="list-style-type: none"> 1. No hay combustible. 2. Nivel incorrecto del aceite del motor. 3. El combustible está contaminado. 4. El interruptor de nivel bajo de aceite está defectuoso. 	<ol style="list-style-type: none"> 1. Llene el tanque de combustible. 2. Revise el nivel del aceite del motor. 3. Comuníquese con un IASD. 4. Comuníquese con un IASD.
El motor no arranca o arranca y tiene un funcionamiento dificultoso.*	<ol style="list-style-type: none"> 1. El estrangulador está atascado o quedó encendido. 2. El filtro de aire está sucio u obstruido. 3. La bujía está defectuosa o sucia. 4. El filtro de combustible está sucio. 5. Carburador sucio o con depósitos de oleoresinas. 6. La unidad no está caliente. 7. Parachispas obstruido. 	<ol style="list-style-type: none"> 1. Apague el estrangulador. 2. Limpie o reemplace el filtro de aire. 3. Reemplace la bujía. 4. Revise el combustible y el filtro de combustible. 5. Limpie el carburador. 6. Ajuste el dial gradualmente y reduzca el estrangulamiento hasta que el motor funcione de manera estable en la posición FUNCIONAMIENTO. 7. Limpie el parachispas.
No hay salida de CA.	<ol style="list-style-type: none"> 1. El generador está sobrecargado. 2. El módulo del inversor está sobrecalentado. 3. Hay un cortocircuito en el dispositivo eléctrico. 4. El conjunto de inversor está defectuoso. 	<ol style="list-style-type: none"> 1. Desconecte todas las cargas. Apague el generador para restablecer el módulo. Reduzca las cargas y reinicie el generador. 2. Verifique que esté ENCENDIDA la puerta de mantenimiento. Arranque el motor sin salida de CA por 15 minutos para enfriarlo. Mantenga presionado el botón de restablecimiento en el panel de control, reinicie el generador. 3. Verifique la condición de los cables de extensión y elementos que reciben alimentación. Mantenga presionado el botón de restablecimiento en el panel de control. 4. Comuníquese con un IASD.
Hay fugas de combustible en las mangueras de drenaje.	<ol style="list-style-type: none"> 1. El drenaje del carburador en la cuba no está cerrado. 	<ol style="list-style-type: none"> 1. Gire la válvula hacia la derecha para cerrarlo.
* La velocidad del motor aumenta y disminuye. Esto es normal, ya que varían los arranques y cargas del generador.		

N.º de pieza A0000136735 Mod. B 21/05/2020
©2020 Powermate, LLC. Todos los derechos reservados.

Las especificaciones están sujetas a cambios sin previo aviso.

No se permite la reproducción de ninguna forma sin el consentimiento previo por escrito de Powermate, LLC.

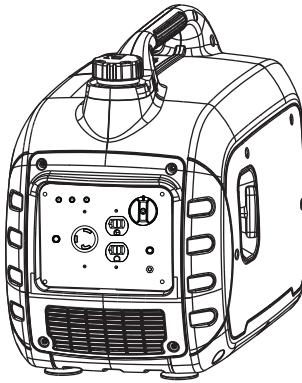
POWERMATE.

Powermate, LLC
S45 W29290 Hwy. 59
Waukesha, WI 53189
1-800-445-1805

www.powermate.com

POWERMATE®

Génératrice portable PM3000i
Manuel de l'utilisateur



MODÈLE : _____

N° DE SÉRIE : _____

DATE D'ACHAT : _____



AVERTISSEMENT

Danger de mort. Ce produit ne doit pas être utilisé dans une application critique de support de vie. Le non-respect de cet avertissement peut entraîner la mort ou des blessures graves.

(000209b)

Enregistrez votre produit Powermate à :

www.powermate.com/register.php

1-888-922-8482

CONSERVER CE MANUEL POUR TOUTE CONSULTATION ULTÉRIEURE

Table des matières

Section 1 Introduction et

sécurité	1
Introduction	1
Règles de sécurité	1
Symboles de sécurité et significations	1
Dangers liés à l'échappement et à l'emplacement	2
Risques électriques	3
Risques d'incendie	3
Index des normes	3

Section 2 Généralités et configuration

.....	5
Connaître sa génératrice	6
Émissions	6
Prises de raccordement	7
Commutateur d'arrêt/marche/étranglement	7
RPM+	7
Voyants d'état de la génératrice	7
Protège-circuits	8
Sortir le contenu de l'emballage	8
Ajouter de l'huile moteur	8
Carburant	9

Section 3 Fonctionnement

.....	10
Questions concernant le fonctionnement et l'utilisation	10
Avant de démarrer le moteur	10
Préparer la génératrice à l'utilisation	10
Mise à la terre de la génératrice durant son utilisation	10
Connaître les limites de la génératrice	10
Transport et inclinaison de la machine	11
Démarrer un moteur à lanceur à rappel	11
Démarrer un moteur chaud	12
Système de mise à l'arrêt en cas de bas niveau d'huile	12

Section 4 Entretien et

dépannage	13
Entretien	13
Calendrier d'entretien	13
Entretien préventif	13
Entretien du moteur	14
Entreposage	16
Dépannage	18

 **AVERTISSEMENT**

**CANCER ET EFFET NOCIF SUR
LA REPRODUCTION**

www.P65Warnings.ca.gov. (000393a)

Section 1 Introduction et sécurité

Introduction

Lire attentivement ce manuel



⚠ AVERTISSEMENT

Consultez le manuel. Lisez complètement le manuel et assurez-vous d'en comprendre le contenu avant d'utiliser l'appareil. Une mauvaise compréhension du manuel ou de l'appareil consigné pourrait entraîner la mort ou des blessures graves.

(000100a)

Si une quelconque partie de ce manuel n'est pas comprise, adresser toute question ou préoccupation à l'IASD (Independent Authorized Service Dealer, fournisseur de services d'entretien agréé indépendant) le plus proche ou au Service après-vente Powermate au 1-800-445-1805 ou visiter www.powermate.com concernant les procédures de démarrage, d'exploitation et d'entretien. Le propriétaire est responsable du bon entretien et de la sécurité d'utilisation de l'appareil.

CONSERVER CE MANUEL pour toute consultation ultérieure. Le présent manuel contient des instructions importantes qui doivent être respectées durant le placement, le fonctionnement et l'entretien de l'appareil et de ses composants. Toujours fournir ce manuel à toute personne devant utiliser cet appareil.

Les informations contenues dans ce manuel décrivent avec exactitude les produits fabriqués au moment de la publication du manuel. Le fabricant se réserve le droit de procéder à des mises à jour techniques, à des corrections et à des révisions des produits à tout moment et sans préavis.

Règles de sécurité

Le fabricant ne peut pas prévoir toutes les circonstances possibles susceptibles d'impliquer un danger. Les avertissements fournis dans ce manuel, ainsi que sur les étiquettes et autocollants apposés sur l'appareil, ne sont pas exhaustifs. Si vous recourez à une procédure, méthode de travail ou technique d'exploitation qui n'est pas spécifiquement recommandée par le fabricant, assurez-vous qu'elle est sûre pour autrui et n'entrave pas la sécurité de fonctionnement du générateur.

Tout au long de ce manuel, ainsi que sur les étiquettes et autocollants apposés sur l'appareil, des encadrés DANGER, AVERTISSEMENT, MISE EN GARDE et REMARQUE sont utilisés pour alerter le personnel d'instructions d'utilisation spéciales dont le non-respect peut s'avérer dangereux.

Respectez scrupuleusement ces instructions. La signification des différentes mentions d'alerte est la suivante :

⚠ DANGER

Indique une situation dangereuse qui, si elle n'est pas évitée, entraînera la mort ou des blessures graves.

(000001)

⚠ AVERTISSEMENT

Indique une situation dangereuse qui, si elle n'est pas évitée, pourrait entraîner la mort ou des blessures graves.

(000002)

⚠ MISE EN GARDE

Indique une situation dangereuse qui, si elle n'est pas évitée, pourrait entraîner des blessures légères ou moyennement graves.

(000003)

REMARQUE : Les remarques fournissent des informations complémentaires importantes sur une opération ou une procédure. Elles sont intégrées au texte ordinaire du manuel.

Ces alertes de sécurité ne sauraient à elles seules éliminer les dangers qu'elles signalent. Afin d'éviter les accidents, il est fondamental de faire preuve de bon sens et de respecter strictement les instructions spéciales dans le cadre de l'utilisation et de la maintenance de l'appareil.

Symboles de sécurité et significations

⚠ DANGER	
L'utilisation d'une génératrice à l'intérieur PEUT CAUSER LA MORT EN QUELQUES MINUTES.	
L'échappement de la génératrice contient du monoxyde de carbone. C'est un poison qui est invisible et inodore.	
 NE JAMAIS utiliser à l'intérieur d'une maison ou d'un garage, MÊME Si les portes ou les fenêtres sont ouvertes.	 Utiliser uniquement À L'EXTÉRIEUR et très loin des fenêtres, portes et événements.

000657



⚠ DANGER

Asphyxie. Le moteur en marche produit du monoxyde de carbone, un gaz inodore, incolore et toxique. Le monoxyde de carbone, s'il n'est pas évité, entraînera la mort ou des blessures graves.

(000103)

- En cas de malaise, de vertige ou de sensation de faiblesse après que la génératrice a fonctionné, sortir à l'air frais IMMÉDIATEMENT. Consulter un médecin parce qu'il peut s'agir d'une intoxication au monoxyde de carbone.



⚠ DANGER

Risques d'asphyxie. Le système d'échappement doit être correctement entretenu. N'apportez aucune modification au système d'échappement, vous risqueriez de le rendre dangereux ou non conforme aux codes et/ou normes applicables au niveau local. Le non-respect de cette consigne provoquerait des blessures graves, voire mortelles. (000179b)



⚠ DANGER

Décharge électrique. Le contact de l'eau avec une source d'alimentation, s'il n'est pas évité, entraînera la mort ou des blessures graves. (000104)



⚠ DANGER

Décharge électrique. Coupez l'alimentation du réseau public et du générateur avant de connecter les câbles d'alimentation et les lignes de charge. Le non-respect de cette consigne entraînera la mort ou des blessures graves. (000116)

⚠ AVERTISSEMENT

Domages à l'équipement et aux biens. Ne modifiez pas la construction ni l'installation du générateur et ne bloquez pas la ventilation. Le non-respect de cette consigne pourrait endommager le générateur ou le rendre dangereux. (000146)



⚠ AVERTISSEMENT

Asphyxie. Toujours utiliser à l'intérieur une alarme à monoxyde de carbone fonctionnant sur pile, installée selon les instructions du fabricant. Sinon, cela pourrait entraîner la mort ou des blessures graves. (000178a)

⚠ AVERTISSEMENT

Domages à l'équipement et aux biens. Ne faites pas fonctionner l'appareil sur des surfaces inégales ou dans des zones où il serait exposé à une humidité excessive, à de la poussière ou à des vapeurs corrosives. Le non-respect de cette consigne pourrait entraîner la mort ou des blessures graves, ainsi que des dommages aux biens et à l'équipement. (000250)



⚠ AVERTISSEMENT

Pièces mobiles. Gardez les vêtements, les cheveux et les accessoires loin des pièces mobiles. Le non-respect de cette consigne pourrait entraîner la mort ou des blessures graves. (000111)



⚠ AVERTISSEMENT

Surfaces chaudes. Lorsque vous utilisez l'appareil, ne touchez pas aux surfaces chaudes. Gardez l'appareil loin des matériaux combustibles lorsqu'il fonctionne. Le contact avec des surfaces chaudes pourrait entraîner des brûlures graves ou un incendie. (000108)

⚠ AVERTISSEMENT

Risques de blessure. Attention à ne jamais introduire d'objets via les fentes de refroidissement. Le générateur peut démarrer à tout moment, et ainsi provoquer des blessures sérieuses, voire mortelles, et endommager considérablement l'appareil. (000142a)

⚠ AVERTISSEMENT

Risque de blessures. Il faut être parfaitement vigilant pour utiliser cet appareil et en faire l'entretien. La fatigue peut nuire à votre capacité à entretenir cet équipement et pourrait entraîner la mort ou des blessures graves. (000215)

⚠ AVERTISSEMENT

Blessures et dommages à l'équipement. N'utilisez pas le générateur en guise de marchepied. Cela peut entraîner une chute, des dommages de pièces, un fonctionnement non fiable du matériel et un danger de mort ou de blessures graves. (000216)

⚠ AVERTISSEMENT

Domage à l'appareil. Ne démarrez pas et n'utilisez pas un appareil nécessitant des réparations ou un entretien programmé. Cela risque de provoquer des blessures graves voire mortelles, ou des pannes ou des dommages aux équipements. (000291)

- Pour des raisons de sécurité, il est conseillé de confier l'entretien de ce matériel à un IASD. Contrôler la génératrice à intervalles réguliers et s'adresser à l'IASD le plus proche concernant les pièces à réparer ou à changer.

	⚠ CAUTION
	Hearing protection recommended.
	PRECAUCIÓN
	Se recomienda protección auditiva.
	MISE EN GARDE
	Protection auditive recommandée.

000406

Dangers liés à l'échappement et à l'emplacement



⚠ DANGER

Asphyxie. Le moteur en marche produit du monoxyde de carbone, un gaz inodore, incolore et toxique. Le monoxyde de carbone, s'il n'est pas évité, entraînera la mort ou des blessures graves. (000103)



⚠ DANGER

Risques d'asphyxie. Le système d'échappement doit être correctement entretenu. N'apportez aucune modification au système d'échappement, vous risqueriez de le rendre dangereux ou non conforme aux codes et/ou normes applicables au niveau local. Le non-respect de cette consigne provoquerait des blessures graves, voire mortelles. (000179b)



⚠ AVERTISSEMENT

Asphyxie. Toujours utiliser à l'intérieur une alarme à monoxyde de carbone fonctionnant sur pile, installée selon les instructions du fabricant. Sinon, cela pourrait entraîner la mort ou des blessures graves. (000178a)

AVERTISSEMENT

Domages à l'équipement et aux biens. Ne modifiez pas la construction ni l'installation du générateur et ne bloquez pas la ventilation. Le non-respect de cette consigne pourrait endommager le générateur ou le rendre dangereux.

(000146)

- En cas de malaise, de vertige ou de sensation de faiblesse après que la génératrice a fonctionné, sortir à l'air frais IMMÉDIATEMENT. Consulter un médecin parce qu'il peut s'agir d'une intoxication au monoxyde de carbone.
- NE JAMAIS faire fonctionner une génératrice l'intérieur ou dans un endroit partiellement fermé, tel qu'un garage.
- L'utiliser UNIQUEMENT à l'extérieur à l'écart des portes, fenêtres, évents et vides sanitaires et dans un endroit suffisamment aéré où des gaz d'échappement toxiques ne peuvent pas s'accumuler.
- L'utilisation d'un ventilateur ou l'ouverture d'une porte ne fournit pas une aération suffisante.
- Diriger la sortie de l'échappement à l'écart des personnes et des bâtiments occupés.

Risques électriques



DANGER

Décharge électrique. Tout contact avec des fils nus, des bornes ou des branchements pendant que le générateur fonctionne causera la mort ou des blessures graves.

(000144)



DANGER

Décharge électrique. Le contact de l'eau avec une source d'alimentation, s'il n'est pas évité, entraînera la mort ou des blessures graves.

(000104)



DANGER

Décharge électrique. En cas d'accident électrique, COUPEZ immédiatement l'alimentation. Utilisez des outils non conducteurs pour libérer la victime du conducteur sous tension. Administrez-lui les premiers soins et allez chercher de l'aide médicale. Le non-respect de cette consigne entraînera la mort ou des blessures graves.

(000145)

- Le NEC (National Electric Code) (États-Unis) exige que le bâti et les parties conductrices externes de la génératrice soient physiquement raccordées à une mise à la terre homologuée. Les codes électriques en vigueur peuvent également exiger une mise à la terre correcte de la génératrice. Se renseigner sur les exigences de mise à la terre auprès d'un électricien local.
- Utiliser un disjoncteur différentiel dans tout endroit humide ou très conducteur (tel qu'un plancher métallique ou une structure en acier).
- Une fois que la génératrice a été démarrée à l'extérieur, raccorder les charges électriques à des cordons de rallonge à l'intérieur.

Risques d'incendie



DANGER

Explosion et incendie. Le carburant et ses vapeurs sont extrêmement inflammables et explosifs. Ajoutez du carburant dans un endroit bien aéré. Gardez l'appareil loin du feu et des étincelles. Le non-respect de cette consigne entraînera la mort ou des blessures graves.

(000105)



DANGER

Risque d'explosion et d'incendie. Ne remplissez pas le réservoir de carburant au-delà du repère maximal. Laissez une certaine marge. Tout remplissage excessif risque de provoquer des déversements de carburant, avec un risque de formation d'incendie ou d'explosion, et de blessures sérieuses, voire mortelles.

(000214)



DANGER

Risque d'incendie. Laissez les déversements d'essence sécher complètement avant de démarrer le moteur. Le non-respect de cette consigne entraînera la mort ou des blessures graves.

(000174)



AVERTISSEMENT

Risque d'incendie. Le carburant et ses vapeurs sont très inflammables. Ne pas faire fonctionner à l'intérieur. Cela peut entraîner la mort, des blessures graves ou des dégâts matériels.

(000281)



AVERTISSEMENT

Risque d'explosion et incendie. Ne fumez pas près de l'appareil. Gardez-le loin du feu et des étincelles. Le non-respect de cette consigne pourrait entraîner la mort ou des blessures graves, ainsi que des dommages aux biens et à l'équipement.

(000282)



AVERTISSEMENT

Risque d'explosion et d'incendie. Ne fumez pas au moment de faire le plein de l'unité. Le non-respect de cette consigne peut provoquer des blessures graves, voire mortelles.

(000284a)

- Prévoir un dégagement d'au moins 5 pi (1,5 m) sur tous les côtés de la génératrice durant la marche pour écarter le risque de surchauffe et d'incendie.
- Ne pas faire fonctionner la génératrice si les appareils électriques raccordés surchauffent, si la sortie de courant est perdue, si le moteur ou la génératrice produit des étincelles ou si des flammes ou de la fumée sont observées durant la marche de la machine.
- Garder en permanence un extincteur d'incendie à proximité de la génératrice.

Index des normes

1. National Fire Protection Association (NFPA) 70 : NATIONAL ELECTRIC CODE (NEC, code national de l'électricité) disponible à www.nfpa.org
2. National Fire Protection Association (NFPA) 5000 : BUILDING CONSTRUCTION AND SAFETY CODE (code de construction et de sécurité des bâtiments) disponible à www.nfpa.org

-
3. International Building Code disponible à www.iccsafe.org
 4. Agricultural Wiring Handbook (guide de câblage pour l'agriculture) disponible à www.rerc.org, Rural Electricity Resource Council P.O. Box 309 Wilmington, OH 45177-0309 USA
 5. ASAE EP-364.2 Installation and Maintenance of Farm Standby Electric Power (installation et entretien des alimentations de secours pour l'agriculture) disponible à www.asabe.org, American Society of Agricultural & Biological Engineers 2950 Niles Road, St. Joseph, MI 49085
 6. CSA C22.2 100-14 Moteurs et génératrices électriques, pour l'installation et l'utilisation en conformité avec les règles du Code canadien de l'électricité
 7. ANSI/PGMA G300 Safety and Performance of Portable Generators (sécurité et fonctionnement des génératrices portables). Portable Generator Manufacturer's Association, www.pgmaonline.com

REMARQUE IMPORTANTE : Cette liste n'est pas exhaustive. Vérifier auprès de l'autorité compétente s'il y a d'autres codes ou normes en vigueur dans la juridiction considérée.

Section 2 Généralités et configuration

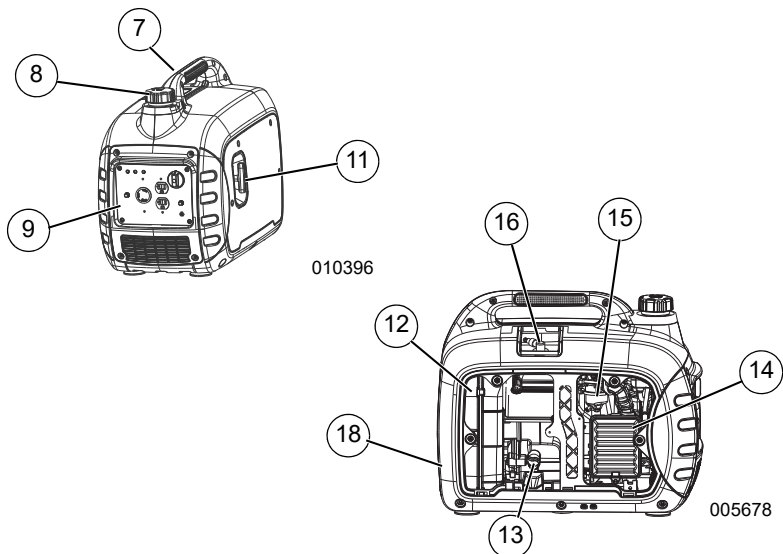


Figure 2-1. Caractéristiques et commandes

Éléments de la génératrice

1	Voyant de bas niveau d'huile (jaune)
2	Voyant de surcharge (rouge)
3	Voyant d'alimentation c.a. (vert)
4	Disjoncteur c.a.
5	Contact de terre
6	Prise de courant 120 V, 20 A
7	Poignée
8	Bouchon du réservoir de carburant
9	Tableau de commande
10	Commutateur d'arrêt/marche/étranglement
11	Lanceur à rappel
12	Silencieux
13	Bouchon/vidange d'huile
14	Épurateur d'air
15	Carburateur
16	Bougie d'allumage
17	Prise de courant 120 V, 30 A (NEMA L5-30R)
18	Pare-étincelles

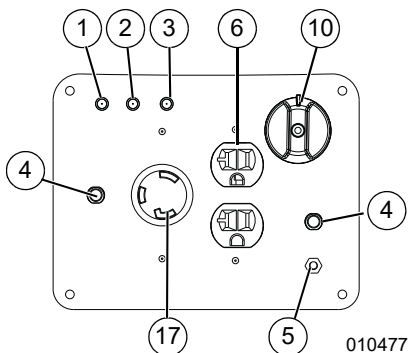


Figure 2-2. Tableau de commande

Connaître sa génératrice



⚠ AVERTISSEMENT

Consultez le manuel. Lisez complètement le manuel et assurez-vous d'en comprendre le contenu avant d'utiliser l'appareil. Une mauvaise compréhension du manuel ou de l'appareil consigne pourrait entraîner la mort ou des blessures graves.

(000100a)

Des manuels de l'utilisateur de recharge sont disponibles à www.powermate.com.

Émissions

L'United States Environmental Protection Agency (US EPA) (et le California Air Resource Board [CARB] pour le matériel certifié aux normes de Californie) exige que ce moteur/matériel soit conforme aux normes sur les émissions d'échappement et par évaporation. Voir l'autocollant de conformité antipollution sur le moteur pour déterminer les normes applicables. Voir les informations de garantie sur le système antipollution dans la garantie sur les émissions jointe. Respecter les exigences d'entretien figurant dans ce manuel pour s'assurer que le moteur reste conforme aux normes sur les émissions en vigueur pendant la durée de service du produit.

Caractéristiques du produit

Caractéristiques de la génératrice		PM3000i
Puissance nominale		2300 W**
Puissance de crête		3000 VA
Tension c.a. nominale		120 V
Charge c.a. nominale à 120 V		19,2 A**
Fréquence nominale		60 Hz
Dimensions L x l x H (po/mm)		22,25 x 13,35 x 18,4 (565 x 339 x 467)
Poids (sec)		59,5 lb (27 kg)
** Plage de température d'exploitation : 20 °F (-6,7 °C) à 104 °F (40 °C). L'exploitation au-dessus de 77 °F (25 °C) peut se traduire par une baisse de puissance.		
** La puissance et le courant maximum dépendent de facteurs limitatifs tels que le pouvoir calorifique du carburant, la température ambiante, l'altitude, l'état du moteur, etc. La puissance moteur diminue d'environ 3,5 % tous les 1000 pi (305 m) supplémentaires au-dessus du niveau de la mer et de 1 % tous les 10 °F (6 °C) au-dessus de 60 °F (16 °C) de température ambiante.		
Caractéristiques du moteur		
Type de moteur		Monocylindre quatre temps
Cylindrée		149 cc
Référence de la bougie		0K95530157
Type de bougie		F7TC ou équivalent
Écartement de bougie (po/mm)		0,024-0,028 (0,6-0,7)
Capacité / type de carburant		1,14 gal. É.U. (4,3 L) / sans plomb
Type d'huile		Voir la section <i>Ajouter de l'huile moteur</i>
Capacité d'huile		0,6 pte (0,6 L)
Autonomie à 50 % de charge		4,5 h
* Pour les pièces de rechange, aller à www.powermate.com ou s'adresser à un IASD.		

Prises de raccordement

Prise de courant double 120 V c.a.

La prise de 120 V est protégée contre les surcharges par le disjoncteur à bouton-poussoir de 20 A. Voir [Figure 2-3](#).

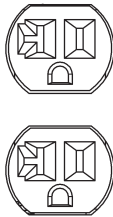


Figure 2-3. Prise de courant double 120 V c.a.

Prise 120 V c.a. 30 A

Utiliser une fiche NEMA L5-30R dans cette prise. Raccorder un câble à 3 conducteurs adapté entre cette prise et la charge souhaitée. Le cordon doit être classé 125 V c.a. et 30 A (ou plus). Voir [Figure 2-4](#).

Utiliser cette prise pour alimenter des charges monophasées sous 120 V 60 Hz jusqu'à une puissance de démarrage de 3000 W à 25 A et une puissance continue de 2300 W à 19,2 A. La prise est protégée par un disjoncteur de 20 A à bouton poussoir de réarmement.

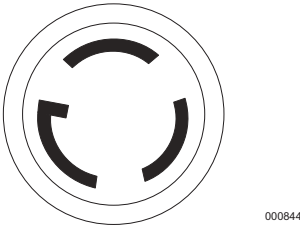


Figure 2-4. Prise de courant 120 V c.a 30 A NEMA L5-30R

Commutateur d'arrêt/marche/étranglement

Ce bouton commande les fonctions de marche/arrêt, le volet de départ et la vanne de carburant. Voir [Figure 2-5](#).

- La position ARRÊT (1) arrête le moteur et coupe l'arrivée de carburant.
- La position MARCHÉ (2) s'utilise pour la marche normale et pour réduire progressivement l'utilisation du volet de départ.

- La position ÉTRANGLEMENT (3) active la vanne de carburant pour démarrer le moteur.

REMARQUE : Le mode ÉTRANGLEMENT n'est pas nécessaire pour démarrer un moteur chaud.

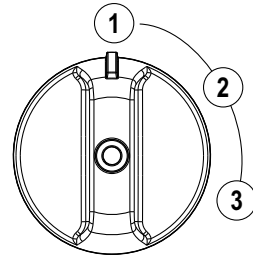


Figure 2-5. Commutateur (exemple)

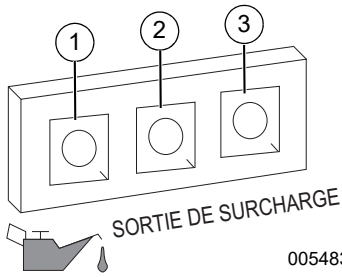
RPM+

Le régime du moteur est optimisé pour réduire la consommation de carburant et le bruit.

Voyants d'état de la génératrice

Voir [Figure 2-6](#).

- **Voyant de surcharge (rouge) :** Indique une surcharge du système (2). Lors du démarrage de moteurs, il est normal que le voyant de surcharge s'allume durant quelques secondes. Si le voyant reste allumé et que le voyant Ready (prêt) s'éteint, le moteur de génératrice reste en marche mais la tension de sortie est coupée. Débrancher toutes les charges et déterminer si les appareils raccordés dépassent la puissance de sortie recommandée. Vérifier qu'il n'y a pas de raccordement fautif ou de court-circuit. Pour rétablir la tension de sortie, mettre le bouton sur ARRÊT pour réinitialiser le système. Démarrer le moteur. Si la surcharge a été éliminée, le voyant orange ne s'allume pas et la tension de sortie est rétablie. Les charges peuvent être appliquées une fois que le voyant vert est allumé. Si le voyant orange se rallume, s'adresser à un IASD.
- **Voyant de bas niveau d'huile (jaune) :** S'allume si le niveau d'huile est inférieur au niveau de fonctionnement sécuritaire. Le moteur s'arrête alors (1).
- **Voyant d'alimentation (vert) :** Indique la présence de tension à la sortie de la génératrice (3) (sauf en situation de bas niveau d'huile ou de surcharge).



005483

Figure 2-6. Indicateurs d'état

Protège-circuits

Les prises c.a. sont protégées par un protège-circuit c.a. En cas de surcharge de la génératrice ou de un court-circuit externe, le protège-circuit se déclenche. Si cela se produit, débrancher toutes les charges pour déterminer la cause du problème avant de réutiliser la génératrice. Si le protège-circuit s'est déclenché, réduire la charge sur le circuit.

REMARQUE : Un déclenchement répétitif du protège-circuit peut endommager la génératrice ou le matériel.

Pour réarmer le protège-circuit, appuyer sur son bouton poussoir.

Sortir le contenu de l'emballage

1. Pour ouvrir l'emballage, le couper de haut en bas aux quatre coins.
2. Sortir et vérifier le contenu de l'emballage avant l'assemblage. L'emballage doit contenir les articles suivants :

Accessoires

Article	Qté
Machine principale	1
Manuel de l'utilisateur	1
Huile moteur	1
Entonnoir d'huile	1
Trousse d'outillage	1
Garantie de service après-vente	1
Garantie sur les émissions	1

3. Appeler le Service après-vente Powermate au 1-800-445-1805 en ayant le modèle et le numéro de série de l'appareil à disposition s'il manque quoi que ce soit dans l'emballage.
4. Consigner le modèle, le numéro de série et la date d'achat sur la couverture de ce manuel.

Ajouter de l'huile moteur

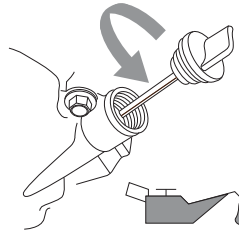
⚠ MISE EN GARDE

Domages au moteur. Vérifiez que le type et la quantité de l'huile à moteur sont adéquats avant de démarrer le moteur. Le non-respect de cette consigne pourrait causer des dommages au moteur.

(000135)

REMARQUE : La génératrice est livrée sans huile dans le moteur. Ajouter l'huile lentement en vérifiant le niveau fréquemment pour ne pas déborder.

1. Placer la génératrice sur une surface de niveau.
2. Retirer les vis et le capot latéral.
3. Vérifier que la zone de remplissage d'huile est propre.
4. Retirer le bouchon de remplissage et essuyer la jauge d'huile. Voir [Figure 2-7](#).

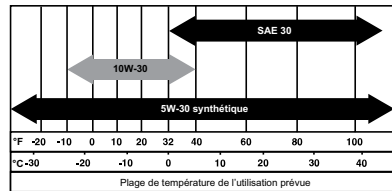


000115

Figure 2-7. Sortir la jauge à huile

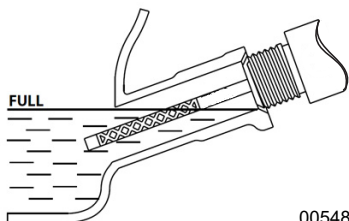
5. Placer l'entonnoir dans l'orifice de remplissage. Compléter avec l'huile recommandée s'il y a lieu. Le climat détermine la viscosité d'huile qui convient. Pour choisir la bonne viscosité, consulter le tableau ci-dessous.

REMARQUE : Utiliser de l'huile minérale (fournie) pendant le rodage du moteur, avant d'utiliser de l'huile synthétique.



000399

6. Pour vérifier le niveau d'huile, retirer l'entonnoir et insérer la jauge dans l'orifice de remplissage sans la visser. Voir [Figure 2-8](#).



005484

Figure 2-8. Plage de niveau sécuritaire

- Retirer la jauge et vérifier que le niveau est dans la plage de fonctionnement sécuritaire.

REMARQUE : Vérifier le niveau d'huile fréquemment durant le remplissage pour ne pas déborder.

- Remettre le bouchon à jauge en place et le serrer à la main.
- Monter le panneau latéral et les vis.

Carburant



▲DANGER

Explosion et incendie. Le carburant et ses vapeurs sont extrêmement inflammables et explosifs. Ajoutez du carburant dans un endroit bien aéré. Gardez l'appareil loin du feu et des étincelles. Le non-respect de cette consigne entraînera la mort ou des blessures graves.

(000105)



▲DANGER

Risque d'explosion et d'incendie. Ne remplissez pas le réservoir de carburant au-delà du repère maximal. Laissez une certaine marge. Tout remplissage excessif risque de provoquer des déversements de carburant, avec un risque de formation d'incendie ou d'explosion, et de blessures sérieuses, voire mortelles.

(000214)

Les caractéristiques requises du carburant sont les suivantes :

- Essence sans plomb propre et fraîche.
 - Indice d'octane de 87 minimum / 87 AKI (91 RON).
 - Une teneur en éthanol (essence-alcool) jusqu'à 10 % est acceptable.
 - NE PAS utiliser d'E85.
 - NE PAS utiliser un mélange d'essence et d'huile.
 - NE PAS modifier le moteur pour le faire fonctionner avec d'autres types de carburant. Stabiliser le carburant préalablement à son entreposage.
- Vérifier que l'appareil est à l'arrêt et a complètement refroidi avant de faire le plein d'essence.
 - Placer l'appareil sur une surface de niveau dans un endroit bien aéré.
 - Nettoyer la zone autour du bouchon d'essence.
 - Tourner le bouchon lentement pour l'ouvrir.
 - Verser lentement l'essence recommandée. Ne pas trop remplir.
 - Remettre le bouchon de réservoir en place.

REMARQUE : En cas de déversement, laisser l'essence s'évaporer avant de démarrer l'appareil.

REMARQUE IMPORTANTE : Pour l'entreposage, il est important d'empêcher le gommage de pièces du circuit de carburant telles que le carburateur, le flexible à carburant ou le réservoir. Les mélanges essence-alcool (aussi appelés éthanol ou méthanol) peuvent attirer l'humidité, ce qui provoque leur séparation et la formation d'acides durant l'entreposage. Une essence acide peut endommager le circuit de carburant du moteur durant l'entreposage. Pour éviter les problèmes de moteur, le circuit de carburant doit être vidangé avant tout entreposage de plus de 30 jours. Voir la section [Entreposage](#). Ne jamais utiliser de produits détergents pour carburateur ou moteur dans le réservoir d'essence car cela peut provoquer des dommages irréversibles.

Section 3 Fonctionnement

Questions concernant le fonctionnement et l'utilisation

Appeler le Service après-vente Powermate au 1-800-445-1805 pour toute question ou préoccupation concernant le fonctionnement et l'entretien du matériel.

Avant de démarrer le moteur

1. Vérifier que le niveau d'huile moteur est correct.
2. Vérifier que le niveau d'essence est correct.
3. Vérifier que la machine repose fermement sur un sol de niveau, avec des dégagements suffisants et dans un endroit bien aéré.

Préparer la génératrice à l'utilisation



▲ DANGER

Asphyxie. Le moteur en marche produit du monoxyde de carbone, un gaz inodore, incolore et toxique. Le monoxyde de carbone, s'il n'est pas évité, entraînera la mort ou des blessures graves.

(000103)



▲ DANGER

Risques d'asphyxie. Le système d'échappement doit être correctement entretenu. N'apportez aucune modification au système d'échappement, vous risqueriez de le rendre dangereux ou non conforme aux codes et/ou normes applicables au niveau local. Le non-respect de cette consigne provoquerait des blessures graves, voire mortelles.

(000179b)



▲ AVERTISSEMENT

Risque d'incendie. N'utilisez pas le générateur sans le pare-étincelles. Le non-respect de cette consigne pourrait entraîner la mort ou des blessures graves.

(000118a)



▲ AVERTISSEMENT

Asphyxie. Toujours utiliser à l'intérieur une alarme à monoxyde de carbone fonctionnant sur pile, installée selon les instructions du fabricant. Sinon, cela pourrait entraîner la mort ou des blessures graves.

(000178a)



▲ AVERTISSEMENT

Risque d'incendie. Les surfaces chaudes peuvent enflammer des matériaux combustibles, ce qui pourrait causer un incendie. Un incendie pourrait entraîner la mort ou des blessures graves.

(000110)



▲ AVERTISSEMENT

Surfaces chaudes. Lorsque vous utilisez l'appareil, ne touchez pas aux surfaces chaudes. Gardez l'appareil loin des matériaux combustibles lorsqu'il fonctionne. Le contact avec des surfaces chaudes pourrait entraîner des brûlures graves ou un incendie.

(000108)

▲ MISE EN GARDE

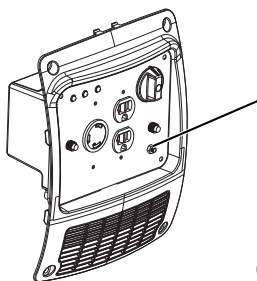
Domages à l'équipement et aux biens. Débranchez les charges électriques avant de démarrer ou d'arrêter l'appareil. Le non-respect de cette consigne pourrait causer des dommages à l'équipement et aux biens.

(000136)

Mise à la terre de la génératrice durant son utilisation

La génératrice est équipée d'une mise à la terre de sa carrosse et de la broche de terre de sa prise de courant c.a. (voir NEC 250.34 [A]). Cela permet d'utiliser la génératrice en mode portable sans devoir mettre son châssis à la terre comme cela est prévu par NEC 250.34. Voir **Figure 3-1**.

- Neutre flottant



010481

Figure 3-1. Mise à la terre de la génératrice

La génératrice (enroulement de la stator) est isolé de sa carrosse et de la broche de terre de sa prise de courant c.a. Les appareils électriques exigent une prise de courant avec mise à la terre ne fonctionnent pas si la borne de terre de la prise n'est pas opérationnelle.

Connaître les limites de la génératrice

La surcharge d'une génératrice peut endommager la génératrice et les appareils électriques raccordés. Pour éviter les surcharges, respecter ce qui suit :

- Additionner les puissances (en watts) de toutes les charges électriques à raccorder en même temps. Le total ne doit PAS être supérieur à la puissance nominale de la génératrice.
- La puissance nominale des ampoules d'éclairage figure sur les ampoules. La puissance des appareils et moteurs se trouve sur leur plaque ou étiquette signalétique apposée dessus.

- Si l'information de puissance n'est pas fournie, multiplier la tension par le courant nominal (volts x ampères = watts).
 - Certains moteurs électriques, comme les moteurs à induction, demandent environ trois fois plus de puissance au démarrage que la puissance consommée en marche. Cet appel de puissance ne dure que quelques secondes durant le démarrage de ces moteurs. Veiller à prévoir une puissance de démarrage suffisante lors du choix des appareils électriques à raccorder à la génératrice.
1. Calculer la puissance requise pour le démarrage du plus gros moteur.
 2. Y ajouter les puissances de marche de toutes les autres charges raccordées.

Le **Guide de référence des puissances** est fourni pour faciliter la détermination du nombre d'appareils pouvant être alimentés en même temps par la génératrice.

REMARQUE : Toutes les données sont approximatives. Voir la puissance consommée sur l'étiquette signalétique des appareils.

Guide de référence des puissances

Appareil	Puissance de marche (W)
*Conditionneur d'air (12 000 BTU)	1700
*Conditionneur d'air (24 000 BTU)	3800
*Conditionneur d'air (40 000 BTU)	6000
Chargeur de batterie (20 A)	500
Ponceuse à courroie (3 po)	1000
Scie à chaîne	1200
Scie circulaire (7-1/4 po)	1250 à 1400
*Sécheuse de linge (électrique)	5750
*Sécheuse de linge (gaz)	700
*Laveuse de linge	1150
Machine à café	1750
*Compresseur (1 HP)	2000
*Compresseur (3/4 HP)	1800
*Compresseur (1/2 HP)	1400
Fer à friser	700
*Déshumidificateur	650
Ponceuse à disque (9 po)	1200
Coupe-bordure	500
Couverture électrique	400
Pistolet cloueur électrique	1200
Cuisinière électrique (par élément)	1500
Poêle à frêle électrique	1250
*Congélateur	700
*Ventilateur de chaudière (3/5 hp)	875

*Ouvre-porte de garage	500 à 750
Sèche-cheveux	1200
Perceuse à main	250 à 1100
Taille-haie	450
Clé à chocs	500
Fer à repasser	1200
*Pompe à jet	800
Tondeuse à gazon	1200
Ampoule d'éclairage	100
Four à micro-ondes	700 à 1000
*Réfrigérateur de lait	1100
Brûleur à mazout de chaudière	300
Radiateur autonome au mazout (140 000 Btu)	400
Radiateur autonome au mazout (85 000 Btu)	225
Radiateur autonome au mazout (30 000 Btu)	150
*Pulvérisateur de peinture sans air (1/3 hp)	600
Pulvérisateur de peinture sans air (manuel)	150
Radio	50 à 200
*Réfrigérateur	700
Mijoteuse	200
*Pompe submersible (1-1/2 hp)	2800
*Pompe submersible (1 hp)	2000
*Pompe submersible (1/2 hp)	1500
*Pompe de puisard	800 à 1050
*Banc de scie (10 po)	1750 à 2000
Téléviseur	200 à 500
Grille-pain	1000 à 1650
Tondeuse à fil	500
* Compter trois fois la puissance indiquée pour le démarrage de ces appareils.	

Transport et inclinaison de la machine

Ne pas entreposer ni transporter cette machine à un angle supérieur à 15 degrés.

Démarrer un moteur à lanceur à rappel



AVERTISSEMENT

Risque lié au lanceur à rappel. Le cordon du lanceur à rappel pourrait se rétracter de façon inattendue. Un effet de rebond pourrait entraîner la mort ou des blessures graves.

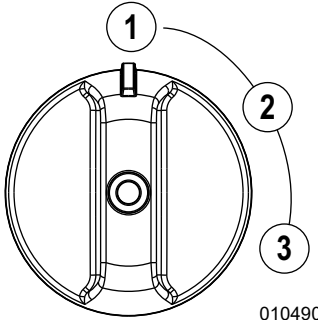
(000183)

⚠ MISE EN GARDE

Domages à l'équipement et aux biens. Débranchez les charges électriques avant de démarrer ou d'arrêter l'appareil. Le non-respect de cette consigne pourrait causer des dommages à l'équipement et aux biens.

(000136)

1. Voir **Figure 3-2**. Mettre le commutateur ARRÊT/MARCHE/ÉTRANGLEMENT en position ÉTRANGLEMENT (3).
2. Saisir fermement la poignée de lanceur et tirer lentement jusqu'à sentir une résistance. Tirer vivement vers le haut.



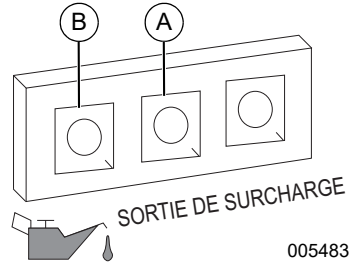
010490

Figure 3-2. Position du bouton ARRÊT/MARCHE/ÉTRANGLEMENT

3. Voir **Figure 3-2**. Lorsque le moteur démarre, mettre le bouton ARRÊT/MARCHE/ÉTRANGLEMENT sur MARCHE (2). L'utilisation du volet de départ est réduite lorsque le bouton ARRÊT/MARCHE/ÉTRANGLEMENT est placé en position MARCHE.

REMARQUE : Si le moteur se lance puis s'arrête, ramener le bouton ARRÊT/MARCHE/ÉTRANGLEMENT en position ARRÊT et répéter la procédure de démarrage.

REMARQUE IMPORTANTE : Ne pas surcharger la génératrice ni les prises individuelles. Voir **Figure 3-3**. En cas de surcharge, le voyant de surcharge (A) s'allume et la tension de sortie est coupée. Pour corriger la situation, voir **Voyants d'état de la génératrice**. Lire attentivement la section **Connaître les limites de la génératrice**.



005483

Figure 3-3. Erreur avec arrêt

Mise à l'arrêt de la génératrice

⚠ MISE EN GARDE

Domages à l'équipement et aux biens. Débranchez les charges électriques avant de démarrer ou d'arrêter l'appareil. Le non-respect de cette consigne pourrait causer des dommages à l'équipement et aux biens.

(000136)

1. Arrêter tous les appareils et les débrancher des prises de la génératrice.
2. Laisser tourner la génératrice à vide durant quelques minutes pour stabiliser les températures internes du moteur et de la génératrice.
3. Voir **Figure 3-2**. Mettre le bouton ARRÊT/MARCHE/ÉTRANGLEMENT en position ARRÊT (3).

Démarrer un moteur chaud

⚠ MISE EN GARDE

Domages à l'équipement et aux biens. Débranchez les charges électriques avant de démarrer ou d'arrêter l'appareil. Le non-respect de cette consigne pourrait causer des dommages à l'équipement et aux biens.

(000136)

1. Voir **Figure 3-2**. Mettre bouton ARRÊT/MARCHE/ÉTRANGLEMENT en position MARCHE. Cela ouvre la vanne de carburant et permet le démarrage.
2. Saisir fermement la poignée de lanceur et tirer lentement jusqu'à sentir une résistance. Tirer vivement vers le haut.

Système de mise à l'arrêt en cas de bas niveau d'huile

Le moteur est équipé d'un capteur de bas niveau d'huile qui l'arrête automatiquement si l'huile passe en-dessous d'un niveau donné afin d'éviter de l'endommager. Voir **Figure 3-3** (B). Le moteur ne redémarre pas tant que le niveau d'huile n'a pas été complété.

REMARQUE IMPORTANTE : Vérifier les niveaux d'huile moteur et de carburant avant utilisation.

Section 4 Entretien et dépannage

Entretien

Un entretien régulier permet d'améliorer les performances et de prolonger la durée de vie du moteur/de l'équipement. Le fabricant préconise que tous les travaux d'entretien soient menés par un IASD. Pour l'entretien régulier, le remplacement ou la réparation des appareils et des systèmes de contrôle des émissions, le propriétaire peut faire appel à la personne ou à l'atelier de réparation de son choix. Toutefois, pour obtenir un service de garantie relatif au contrôle des émissions sans frais, cette tâche doit être confiée à un IASD. Consultez la garantie en matière d'émissions.

REMARQUE : Pour toute question concernant le remplacement de pièces, appeler le Service après-vente Powermate au 1-800-445-1805.

Calendrier d'entretien

Respecter les intervalles du calendrier d'entretien, à la première des échéances en fonction de l'utilisation.

REMARQUE : Les conditions adverses nécessitent des intervalles plus rapprochés.

REMARQUE : Tous les réglages et opérations d'entretien requis doivent être effectués comme indiqué dans le tableau suivant.

À chaque utilisation
Vérifier le niveau d'huile moteur
Toutes les 100 heures ou tous les 6 mois
Nettoyer/changer le filtre à air**
Changer l'huile ‡
Tamis du silencieux
Nettoyer/changer le pare-étincelles
Toutes les 300 heures ou chaque année*
Changer la bougie
Changer le filtre à carburant +
Réglage du jeu des soupapes
Vérifier/changer le tuyau de reniflard du carter
Vérifier les raccords/attaches +

- ‡ Changer l'huile au bout du premier mois ou 20 heures de fonctionnement.
- + À être effectué par un IASD.
- * En cas d'utilisation sous des charges importantes ou à des températures élevées, changer l'huile à tous les mois.
- ** Dans des conditions sales ou poussiéreuses, nettoyer plus fréquemment. Changer les éléments du filtre à air s'ils ne peuvent être suffisamment nettoyés.
- *** Au bout des premières 50 heures de fonctionnement et toutes les 300 heures par la suite, vérifier le jeu des soupapes et le régler s'il y a lieu.

Entretien préventif

La saleté ou les débris peuvent provoquer un mauvais fonctionnement et des dommages matériels. Nettoyer la génératrice tous les jours ou avant chaque utilisation. Maintenir la zone autour et à l'arrière du silencieux exempt de matières combustibles. Contrôler toutes les ouvertures d'air de refroidissement de la génératrice.

AVERTISSEMENT

Risques de blessure. Attention à ne jamais introduire d'objets via les fentes de refroidissement. Le générateur peut démarrer à tout moment, et ainsi provoquer des blessures sérieuses, voire mortelles, et endommager considérablement l'appareil.
(000142a)

- Utiliser un chiffon humide pour essuyer les surfaces extérieures.
- Utiliser une brosse à poils souples pour détacher la saleté séchée, l'huile, etc.
- Utiliser un aspirateur pour éliminer la saleté et les débris.
- De l'air comprimé à basse pression (ne dépassant pas 25 psi) peut être utilisé pour souffler la saleté. Contrôler les fentes et ouvertures d'air de refroidissement de la génératrice. Elles doivent être maintenues propres et sans obstruction.

REMARQUE : NE PAS utiliser de tuyau d'arrosage pour nettoyer la génératrice. L'eau peut pénétrer dans le circuit de carburant et provoquer des problèmes. Si de l'eau pénètre par les fentes d'air de refroidissement de la génératrice, de l'humidité est retenue dans les espaces et les creux de l'isolation des enroulements du rotor et du stator. L'accumulation d'eau et de saleté sur les enroulements internes de la génératrice diminue la résistance d'isolement des enroulements.

Entretien du moteur

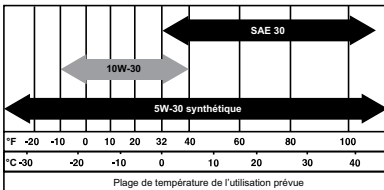
AVERTISSEMENT

Démarrage accidentel. Débranchez les câbles de bougie lorsque vous travaillez sur l'appareil. Le non-respect de cette consigne pourrait entraîner la mort ou des blessures graves.

(000141)

Huiles moteur recommandées

Afin que la garantie du produit reste en vigueur, l'entretien de l'huile à moteur doit être fait conformément aux recommandations du présent manuel. Pour un entretien facile, des trousse d'entretien conçues pour cet appareil sont offertes par le fabricant. Elles comprennent de l'huile à moteur, un filtre à huile, un chiffon et un entonnoir. Ces trousse sont disponibles auprès d'un IASD.



000399

Vérifier le niveau d'huile moteur



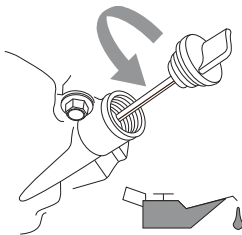
AVERTISSEMENT

Risque de brûlures. Laissez refroidir le moteur avant de vidanger l'huile ou le liquide de refroidissement. Le non-respect de cette consigne pourrait entraîner la mort ou des blessures graves.

(000139)

Vérifier le niveau d'huile avant chaque utilisation ou toutes les 8 heures de fonctionnement.

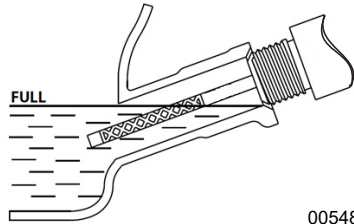
1. Placer la génératrice sur une surface de niveau.
2. Retirer les vis et le capot latéral.
3. Nettoyer la zone autour du bouchon de remplissage d'huile.
4. Retirer le bouchon de remplissage et essuyer la jauge d'huile. Voir [Figure 4-1](#).



000115

Figure 4-1. Remplissage d'huile moteur

5. Pour vérifier le niveau d'huile, insérer la jauge dans l'orifice de remplissage sans visser le bouchon. Voir [Figure 4-2](#).



005484

Figure 4-2. Plage de niveau sécuritaire

6. Retirer la jauge et vérifier que le niveau est dans la plage de fonctionnement sécuritaire.
7. Compléter avec l'huile recommandée s'il y a lieu.

REMARQUE : Vérifier le niveau d'huile fréquemment durant le remplissage pour ne pas déborder.

8. Remettre le bouchon en place et le serrer à la main.

REMARQUE : Certains modèles comportent plusieurs orifices de remplissage d'huile. L'utilisation d'un seul d'entre eux suffit.

9. Monter le panneau latéral et les vis.

Changer l'huile moteur

AVERTISSEMENT

Démarrage accidentel. Débranchez les câbles de bougie lorsque vous travaillez sur l'appareil. Le non-respect de cette consigne pourrait entraîner la mort ou des blessures graves.

(000141)

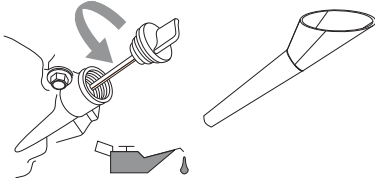
Si la génératrice est utilisée dans des conditions extrêmes, sales ou poussiéreuses ou par temps très chaud, changer l'huile plus fréquemment.

REMARQUE : Ne pas polluer. Économiser les ressources. Ramener l'huile usagée à un centre de collecte.

Vidanger l'huile alors que le moteur est encore chaud d'avoir fonctionné, de la façon suivante :

1. Placer la génératrice sur une surface de niveau.
2. Retirer les vis, le capot latéral et le capuchon de bougie.
3. Débrancher le câble de bougie et le placer de façon à empêcher tout contact avec la bougie.
4. Nettoyer la zone autour des bouchons de remplissage et de vidange d'huile.
5. Retirer le bouchon de remplissage et essuyer la jauge d'huile.
6. Incliner l'appareil et vider toute son huile dans un récipient adapté.

7. Une fois l'huile complètement vidangée, remonter le bouchon de vidange d'huile et le serrer fermement.
8. Placer l'entonnoir dans l'orifice de remplissage. Voir [Figure 4-3](#). Compléter avec l'huile recommandée s'il y a lieu.



002404

Figure 4-3. Orifice de remplissage d'huile avec entonnoir

9. Pour vérifier le niveau d'huile, retirer l'entonnoir et insérer la jauge dans l'orifice de remplissage sans la visser. Voir [Figure 4-2](#).
 10. Retirer la jauge et vérifier que le niveau est dans la plage de fonctionnement sécuritaire.
- REMARQUE :** Vérifier le niveau d'huile fréquemment durant le remplissage pour ne pas déborder.
11. Remettre le bouchon à jauge en place et le serrer à la main.
 12. Essuyer tout débordement d'huile.
 13. Remonter le panneau latéral, les vis et le capuchon de bougie.
 14. Éliminer l'huile comme il se doit conformément à toutes les réglementations en vigueur.

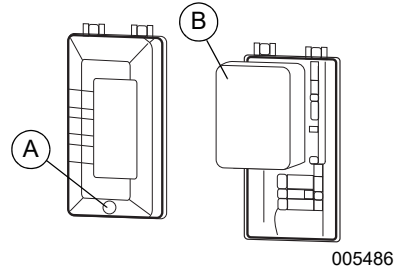
Filtre à air

S'il est utilisé avec un filtre à air encrassé, le moteur ne fonctionne pas correctement et peut s'endommager. Dans des conditions poussiéreuses et sales, effectuer un entretien plus fréquent du filtre à air.

Pour effectuer l'entretien du filtre à air :

1. Dévisser la vis (A) et déposer le couvercle du filtre. Voir [Figure 4-4](#).
2. Laver le filtre (B) dans une eau savonneuse. Presser le filtre dans une serviette propre pour l'essorer (NE PAS LE VRILLER).
3. Nettoyer le couvercle du filtre avant de le remonter.
4. Remonter le capot latéral et les vis.

REMARQUE : Pour commander un filtre à air neuf, appeler le centre de service après-vente autorisé le plus proche au 1-800-445-1805.



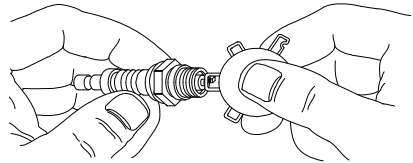
005486

Figure 4-4. Filtre à air

Entretien de la bougie

Pour effectuer l'entretien de la bougie :

1. Retirer le capuchon de bougie et débranche le câble de bougie. Voir [Figure 2-1](#).
2. Nettoyer le pourtour de la bougie.
3. Retirer et contrôler la bougie.
4. Vérifier l'écartement de la bougie à l'aide d'une jauge d'épaisseur et le régler entre 0,024 à 0,028 po (0,6 et 0,7 mm). Voir [Figure 4-5](#).



000211

Figure 4-5. Bougie d'allumage

REMARQUE : Si les électrodes sont piquées, brûlées ou que la porcelaine est fendillée, changer la bougie. Utiliser UNIQUEMENT une bougie de rechange recommandée. Voir [Caractéristiques du produit](#).

5. Serrer d'abord la bougie à la main puis de 3/8 à 1/2 tour supplémentaire à l'aide d'une clé à bougie.

Contrôler le silencieux et le pare-étincelles

REMARQUE : L'utilisation ou l'exploitation de tout moteur thermique dans un lieu couvert de forêt, de broussailles ou d'herbes est une infraction à la section 4442 du California Public Resource Code, sauf si le système d'échappement est équipé d'un dispositif pare-étincelles, tel que défini dans la section 4442, en bon état de fonctionnement. D'autres juridictions fédérales ou provinciales peuvent avoir des lois semblables.

Pour obtenir un pare-étincelles conçu pour le système d'échappement de ce moteur, s'adresser au constructeur d'origine, au revendeur ou à un concessionnaire.

REMARQUE : Utiliser UNIQUEMENT des pièces de rechange d'origine.

Vérifier l'absence de fissures, corrosion ou autres dommages du silencieux. Le cas échéant, déposer le pare-étincelles et vérifier l'absence de dommages ou d'encrassement. Changer les pièces s'il y a lieu.

Contrôler le tamis pare-étincelles



⚠ AVERTISSEMENT

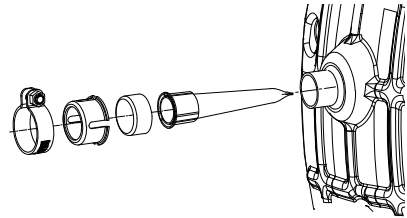
Surfaces chaudes. Lorsque vous utilisez l'appareil, ne touchez pas aux surfaces chaudes. Gardez l'appareil loin des matériaux combustibles lorsqu'il fonctionne. Le contact avec des surfaces chaudes pourrait entraîner des brûlures graves ou un incendie. (000108)

Nettoyer le tamis pare-étincelles

Le silencieux d'échappement du moteur comporte un tamis pare-étincelles. Contrôler et nettoyer ce tamis toutes les 100 heures de fonctionnement ou tous les six mois, à la première de ces éventualités.

Pour effectuer l'entretien du pare-étincelles :

1. Voir **Figure 4-6**. Déposer la bague de serrage pour retirer la pièce de retenue.
2. Extraire les tamis pare-étincelles du tube d'échappement du silencieux.
3. Contrôler les tamis et les changer s'ils sont déchirés, perforés ou autrement endommagés. Ne JAMAIS utiliser de tamis défectueux. S'ils sont en bon état, les nettoyer avec un solvant du commerce.
4. Remettre les tamis en place et les attacher avec la bague de serrage.



010475

Figure 4-6. Tamis pare-étincelles

Jeu des soupapes

IMPORTANT : Veuillez communiquer avec un fournisseur de services d'entretien agréé indépendant pour de l'assistance. Un jeu de soupape approprié est essentiel pour prolonger la durée de vie du moteur.

Vérifier le jeu des soupapes au bout des premières cinquante heures de fonctionnement. Le régler s'il y a lieu.

- Admission — 0,004 po ± 0,001 po (à froid) (0,10 ± 0,02 mm)
- Échappement — 0,004 po ± 0,001 po (à froid) (0,10 ± 0,02 mm)

Entreposage

Généralités



⚠ DANGER

Explosion et incendie. Le carburant et ses vapeurs sont extrêmement inflammables et explosifs. Entreposez le carburant dans un endroit bien aéré. Gardez-le loin du feu et des étincelles. Le non-respect de cette consigne entraînera la mort ou des blessures graves. (000143)



⚠ AVERTISSEMENT

Risque d'incendie. Vérifiez que l'appareil a bien refroidi avant d'installer une protection de rangement et d'entreposer l'appareil. Le contact avec des surfaces chaudes pourrait entraîner un incendie. (000109)

Il est conseillé de faire fonctionner la génératrice pendant 30 minutes tous les 30 jours. Si ce n'est pas possible, se référer à la liste ci-dessous pour les préparatifs d'entreposage de la machine.

- NE PAS placer de housse sur une génératrice chaude. Laisser la machine refroidir jusqu'à la température ambiante avant de l'entreposer.
- NE PAS entreposer d'essence d'une saison à l'autre à moins de l'avoir traitée comme il se doit.
- Changer le bidon d'essence s'il y a de la rouille. La présence de rouille dans l'essence entraîne des problèmes de circuit de carburant.
- Recouvrir la machine d'une housse protectrice résistant à l'humidité.

-
- Entreposer la machine dans un endroit propre et sec.
 - Toujours entreposer la génératrice et le carburant à l'écart de sources de chaleur et d'inflammation.

Préparer le circuit de carburant et le moteur pour l'entreposage

L'essence entreposée plus de 30 jours peut se détériorer et endommager les éléments du circuit de carburant. Garder l'essence fraîche, utiliser un stabilisateur d'essence.

Si un stabilisateur d'essence est ajouté au circuit de carburant, préparer le moteur et le faire fonctionner en vue d'un entreposage de longue durée. Faire fonctionner le moteur durant 10 à 15 minutes pour faire circuler le stabilisateur dans le circuit de carburant. Une essence bien préparée peut être entreposée jusqu'à 24 mois.

REMARQUE : Si l'essence n'a pas été traitée avec un stabilisateur, elle doit être vidée dans un récipient homologué. Garder le moteur en marche jusqu'à ce qu'il s'arrête par manque de carburant. Il est conseillé d'utiliser un stabilisateur dans le récipient d'entreposage de l'essence pour la garder fraîche.

1. Changer l'huile moteur.
2. Démonter la bougie.
3. Verser une cuillère à soupe (5 à 10 cc) d'huile moteur propre ou vaporiser une huile à brumiser dans le cylindre.



AVERTISSEMENT

Perte de la vision. Une protection oculaire est requise pour éviter les projections provenant du trou de bougie d'allumage pendant le lancement du moteur. Ne pas porter de protection oculaire pourrait entraîner la perte de la vision. (000181)

4. Tirer le cordon de lanceur plusieurs fois pour répartir l'huile dans le cylindre.
5. Remonter la bougie.
6. Tirer le cordon lentement jusqu'à sentir une résistance. Cela ferme les soupapes pour empêcher l'humidité d'entrer dans le cylindre. Ramener lentement le cordon.

Changer l'huile

Changer l'huile moteur avant l'entreposage. Voir [Changer l'huile moteur](#).

Dépannage

PROBLÈME	CAUSE	CORRECTION
Le moteur ne démarre pas.	<ol style="list-style-type: none"> 1. Bouton de marche en position ARRÊT. 2. Panne de carburant. 3. Bougie défectueuse. 4. Filtre à carburant obstrué. 5. Bouton de marche défectueux ou coincé. 6. Mauvais niveau d'huile moteur. 7. Bobine d'allumage défectueuse. 8. Carburateur noyé. 9. Papillon des gaz fermé. 	<ol style="list-style-type: none"> 1. Mettre le bouton sur MARCHÉ. 2. Remplir le réservoir d'essence. 3. Changer la bougie. 4. Changer l'essence et le filtre à essence. 5. S'adresser à un IASD. 6. Vérifier/compléter le niveau d'huile. 7. S'adresser à un IASD. 8. Vider le carburateur. 9. Ouvrir le papillon (le pousser vers l'arrière).
Le moteur démarre puis s'arrête.	<ol style="list-style-type: none"> 1. Panne de carburant. 2. Mauvais niveau d'huile moteur. 3. Essence contaminée. 4. Contacteur de bas niveau d'huile défectueux. 	<ol style="list-style-type: none"> 1. Remplir le réservoir de carburant. 2. Vérifier le niveau d'huile moteur. 3. S'adresser à un IASD. 4. S'adresser à un IASD.
Le moteur ne démarre pas ou il démarre et a des ratés.*	<ol style="list-style-type: none"> 1. Volet de départ coincé ou laissé engagé. 2. Filtre à air sale ou obstrué. 3. Bougie défectueuse ou encrassée. 4. Filtre à carburant sale. 5. Carburateur sale ou engommé. 6. Moteur par encore chaud. 7. Pare-étincelles obstrué. 	<ol style="list-style-type: none"> 1. Couper le volet de départ. 2. Nettoyer ou changer le filtre à air. 3. Changer la bougie. 4. Changer l'essence et le filtre à essence. 5. Nettoyer le carburateur. 6. Modifier progressivement le bouton de marche et réduire le volet de départ jusqu'à ce que le moteur tourne normalement en position MARCHÉ. 7. Nettoyer le pare-étincelles.
Pas de tension de sortie c.a.	<ol style="list-style-type: none"> 1. Génératrice surchargée. 2. Surchauffe du module onduleur. 3. Court-circuit dans un appareil raccordé. 4. Module onduleur défectueux. 	<ol style="list-style-type: none"> 1. Débrancher toutes les charges. Arrêter la génératrice pour réinitialiser le module. Réduire la charge, redémarrer la génératrice. 2. S'assurer que la porte d'entretien est en place. Laisser refroidir pendant 15 minutes en faisant tourner le moteur à vide. Tenir le bouton de réinitialisation (Reset) enfoncé sur le tableau de commande, redémarrer la génératrice. 3. Vérifier l'état du cordon de rallonge et des appareils raccordés. Tenir le bouton de réinitialisation (Reset) enfoncé sur le tableau de commande. 4. S'adresser à un IASD.
Fuite d'essence par les flexibles de vidange.	<ol style="list-style-type: none"> 1. Le robinet de vidange du bol de carburateur n'est pas fermé. 	<ol style="list-style-type: none"> 1. Tourner le robinet dans sens des aiguilles d'une montre pour le fermer.
* Le régime moteur augmente et diminue — C'est normal lorsque la génératrice démarre et que les charges varient.		

Réf. A0000136735 Rév. B 21/05/20
©2020 Powermate, LLC. Tous droits réservés.
Toutes les caractéristiques sont sujettes à
modification sans préavis.
Aucune reproduction n'est autorisée sous
quelque forme que ce soit sans le
consentement écrit préalable de
Powermate, LLC.

POWERMATE.

Powermate, LLC
S45 W29290 Hwy. 59
Waukesha, WI 53189
1-800-445-1805
www.powermate.com