



ANAFI™

ANYTIME. ANYWHERE

The flying 4K HDR camera that you can take with you everywhere on the go.

Parrot®

EVERYDAY LIFE.ELEVATED



BREATHTAKING IMAGING SYSTEM

4K Cinema & 21MP sensor / 4K HDR 100 Mbps videos.
Unique 180° tilt gimbal with 3-axis hybrid image stabilization / Up to 2.8X lossless digital zoom.
RAW & P-LOG post-production formats.



4K HDR
21 MP



180° TILT
GIMBAL



3-AXIS
IMAGE STABILIZATION



2.8X LOSSLESS
ZOOM

ULTRA-PORTABLE DESIGN

Ultra-compact / Robust carbon design / Fast & easy to unfold (less than 3s).
USB-C on-the-go charging system (Compatible with Powerbanks).
Easy to pilot with a smartphone / Camera resistant to extreme temperatures (-10°C to +40°C).



FAST & EASY
TO UNFOLD



ULTRA
COMPACT



FOLDABLE
CONTROLLER



USB-C ON-THE-GO
CHARGING SYSTEM



SMART & POWERFUL

25 minutes of flight time (Smart battery) / Super quiet flights.
Omnidirectional transmission system (4km range).
50km/h wind resistance / 55km/h top speed in Sport mode.



25 MIN
FLIGHT TIME



SUPER QUIET
FLIGHTS



4KM
RANGE



50 KM/H
WIND RESISTANCE



EASY TO USE

New FreeFlight 6 application for an intuitive and ergonomic experience.
Advanced visual tracking powered by A.I. / SmartDronies for easy aerial selfies.
CineShots for automatic landscape videos / Slow-motion & Hyperlapse modes.



FREEFLIGHT 6
INTUITIVE APP



SMARTDRONIES
FOR AERIAL SELFIES



CINESHOTS FOR
LANDSCAPE VIDEOS



SLOW-MOTION &
HYPERLAPSE

TECHNICAL SPECIFICATIONS

DRONE

- Size folded: 244x67x65mm
- Size unfolded: 175x240x65mm
- Weight: 320g
- Max transmission range: 4km with controller
- Max flight time: 25min
- Max horizontal speed: 15m/s
- Max vertical speed: 4m/s
- Max wind resistance: 50km/h
- Service ceiling: 4500m above sea level
- Operating temperature range: -10°C to 40°C
- Satellite Positioning Systems: GPS & GLONASS

SMART BATTERY

- Type: High density Lipo (2 cells)
- Battery capacity: 2700mAh
- Battery life: 25min
- Charging port: USB-C
- Weight: 126g
- Voltage: 7.6V
- Max charging power: 24W

CONTROLLER

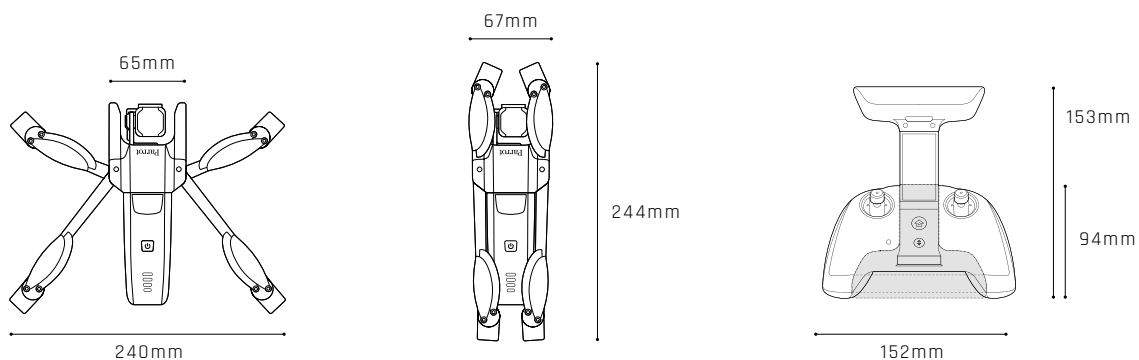
- Size folded: 94x152x72mm
- Size unfolded: 153x152x116mm
- Weight: 386g
- Transmission system: Wi-Fi 802.11a/b/g/n
- Operating frequencies: 2.4 GHz - 5.8 GHz
- Max transmission range: 4Km
- Live streaming resolution: HD 720p
- Battery capacity: 2500mAh 3,6V
- Battery life: 2h30 (Android) / 5h30 (iOS)
- Supported mobile devices: screen size up to 6"
- USB ports: USB-C (Charge), USB-A (Connection)

IMAGING SYSTEM

- Sensor: 1/2.4" CMOS
- Lens:
 - ASPH (Sharper images)
 - Aperture: f/2.4
 - Focal length (35mm format equivalent): 23-69mm (photo), 26-78mm (video)
 - Depth of field: 1.5m - ∞
- Shutter speed: electronic shutter 1 to 1/10000s
- ISO range: 100-3200
- Video resolution:
 - 4K Cinema 4096x2160 24fps
 - 4K UHD 3840x2160 24/25/30fps
 - FHD 1920x1080 24/25/30/48/50/60fps
- Video HFOV: 69°
- Max video bitrate: 100 Mbps
- Video format: MP4 (H264)
- Digital zoom:
 - Lossless: up to 2.8x (FHD) & 1.4x (4K UHD)
 - Standard: up to 3x (4K Cinema, 4K UHD, FHD)
- Photo resolution:
 - Wide: 21MP (5344x4016) / 4:3 / 84° HFOV
 - Rectilinear: 16MP (4608x3456) / 4:3 / 75.5° HFOV
- Photo formats: JPEG, DNG (RAW)
- HDR: 4K UHD video

IMAGE STABILIZATION

- Stabilization:
 - 3-axis hybrid
 - Mechanical: 2-axis Roll/Tilt angles
 - Electronic (EIS): 3-axis Roll/Pan/Tilt angles
- Controllable tilt range: - 90° to +90° (180° total)



PACK CONTENT

ANAFI DRONE / SMART BATTERY / PARROT SKYCONTROLLER 3 / CARRYING CASE / 16GB MICROSD CARD
USB-A TO USB-C CABLE / 8 ADDITIONAL PROPELLER BLADES / MOUNTING TOOL

PARROT DRONES SAS - RCS PARIS 808 408 704
174 quai de Jemmapes 75010 Paris - FRANCE - WWW.PARROT.COM

Parrot and Parrot logo are trademarks or registered trademarks of Parrot SA, used under license therefrom.
Anafi and its logo are trademarks or registered trademarks of Parrot Drones SAS.

Parrot®

EVERYDAY LIFE.ELEVATED