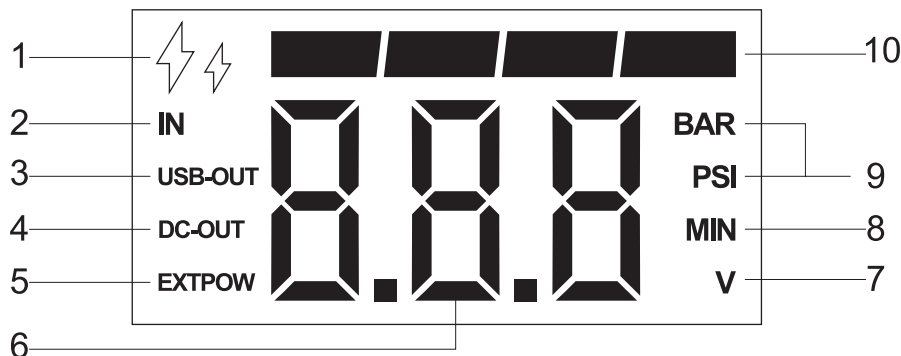




## 1. Operation Process

### 1.1 Display Interface Description



NO.	Description	NO.	Description
1	Fast charge indicator	6	Digital display area
2	Charging indicator	7	Voltage indicator
3	USB-A/USB-C output indicator	8	Time unit indicator
4	DC output indicator	9	Pressure unit indicator
5	External input indicator	10	Battery indicator

### 1.2 How to Wake up the Product

Short press  button or LED light power button  to wake up the product.

### 1.3 How to Use the Car Jumpstart Function



#### a. Method one: Normal jumpstart

- ① Connect the positive and negative of the product clamps to the positive and negative of the car battery respectively, and make sure the connection is good;
- ② Wake up the product, short press the "LED light" button or short press the "Switch" button, if the connection is good, the green light on the display panel will be on and flashing, and the positive and negative voltages of the startup power supply in parallel with the car will be displayed at the same time. The car can be started at this time;
- ③ If the car starts successfully, short press the switch button to exit the jump starter function, and pull out the jump starter clamp.

- ④ In most cases, the vehicle will start successfully at the first start operation. Some vehicles may need to be connected to the Jumpstarter for 30~120 seconds (At this time, the product will recharge the car battery) to start the operation. If the vehicle does not start immediately , please wait 20-30 seconds, then try again, no more than 5 consecutive starts within 15 minutes;
- ⑤ After use, please remove the clamps, long press the "Power" button for 2 seconds to shut down. The product will shut down automatically without operation for 60 seconds.

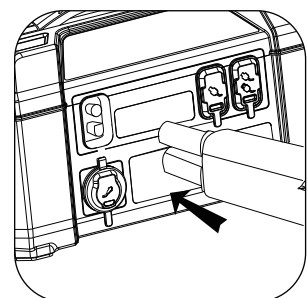
### b.Method two: Force Start

(Safety reminder: Some safety protection mechanisms in this mode are invalid and need to be used with caution. Be sure to prevent the positive and negative from being connected together to cause a short circuit, otherwise it will lead to product damage, sparks, and other more serious consequences. You must check before operation manual)

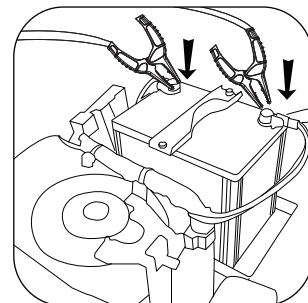
- ① When the normal start function fails, for example: the voltage of the car battery is very low (the voltage is less than 1V), you can use the forced emergency start function after checking the operating manual.
- ② Step 1: Insert the Clamps cable connector into the EC8 jumpstart output port of the product.
- ③ Step 2: In the power-on state, long press the "BAR/PSI" button for 5 seconds to enter the forced start mode. At this time, the green light on the main interface will be on, indicating that the jumpstart output is turned on. At this time, prevent the positive and negative from being connected together to cause a short circuit; (In this mode, it is required to turn on the forced start function first, and then connect the clamps to the car battery, otherwise the output cannot be turned on)
- ④ Step 3: Connect the positive and negative of the clamps to the positive and negative of the car battery respectively (there will be a slight spark during the connection process, which is normal), and make sure that the connection is good. At this time, the product display screen will display the voltage of the jumpstarter in parallel with the car battery, and the car can be started;
- ⑤ Short press the "Power" button  or the "BAR/PSI" button  to exit force start mode.

## 1.4 How to Use the Voltmeter Function

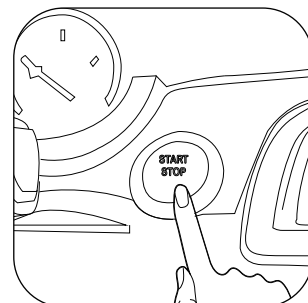
a. Connect the clamps to the product EC8 jumpstart output port.



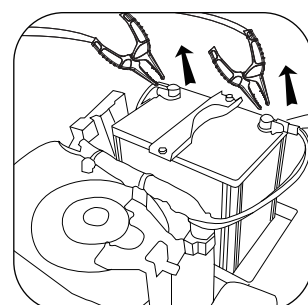
b. Connect the positive and negative of the clamps to the positive and negative of the car battery respectively, and make sure the connection is good;



c. At this time, the green light on the main interface will flash, and the voltage of the Jumpstarter in parallel with the car battery will be displayed. After entering the start mode, if you want to only check the voltage of the car battery, short press the "Power" button to exit the start mode, the Jumpstarter will enter the measurement mode, and then the "green light" will go out, and the display only shows the voltage value of the car battery.

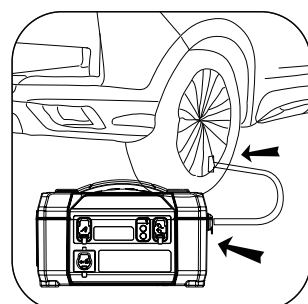


d. Disconnect the jumpstarter clamps from the car battery and exit the voltmeter function mode.

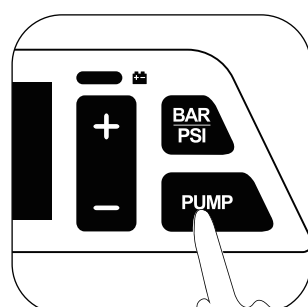


### 1.5 How to use the air compressor function

a. Please connect the air pipe to the output port of the air pump, tighten the nut, and connect the other end to the car tire;



b. Wake up the product first by short press the LED light button or the power, then hold the pump button for 2 seconds to turn on the function.



c. BAR、PSI; Short press BAR/PSI button to switch the tire pressure unit

Tire pressure unit converting chart	Unit	Bar	KPa	PSI	Kgf/cm2
	Value	1	100	14.5	1.02

d. Set the target tire pressure value, be sure to confirm the tire pressure requirements first;

(For the standard tire pressure value of the tire, you can check the air pressure

value marked on the tire, or check the instruction manual of the inflated product). Set the target tire pressure value by the "+/-" button. After the setting is completed, the value flashes for 3 seconds and exits setting state, the product will enter the real-time monitoring tire pressure state; (Safety reminder: if the air pump was turned on without pre-setting the tire pressure value, the air pump will not automatically charge and stop, and it needs to be manually turned off. If the tire pressure is not checked in real time monitoring, there is a risk of over-inflated tires or tire blowouts)

e. Long press "PUMP" button for 2 seconds, the air pump will be turned on, when the tire pressure reaches the set value, the air pump will be automatically turned off. How to turn off the air pump manually : short press the "PUMP" button or short press the "Switch" button;

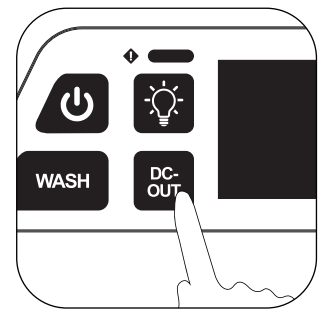
f. Remove the tire pipe

(Safety reminder: During the inflation process, heat will be generated by the air pump which will cause high temperature of sectional machine body. Please set the product aside for 10 minutes to dissipate heat to prevent burns, then disassemble the inflation tube)

## 1.6 How to Operate the DC Output

a. In the power-on state, long press the DC-OUT button for 3 seconds, the DC output is turned on.

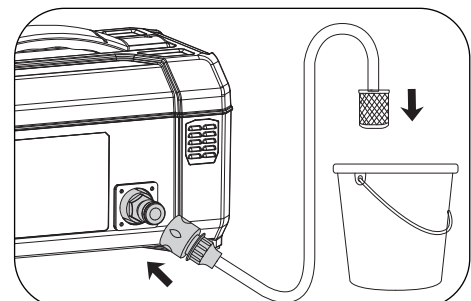
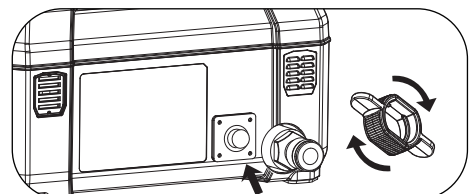
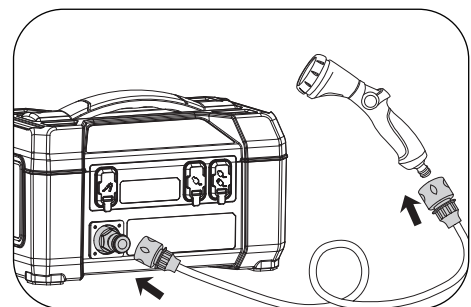
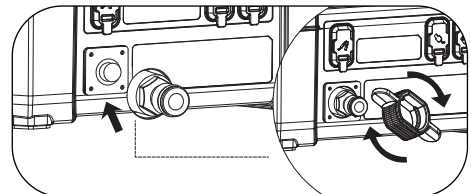
b. Short press the DC-OUT button to turn off.



## 1.7 How to Operate the Water Pump

**How to connect:**

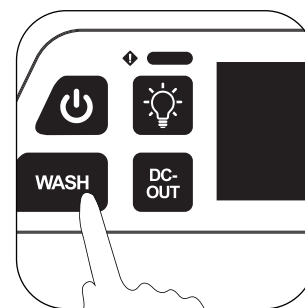
- ① Connect the nipple connector (male) to the water outlet, use the provided wrench to rotate and tighten it, and connect the water pipe connector (female) to the nipple connector (male) .
- ② Connect the connector (female) of the water outlet pipe to the (male) of the water pipe connector.
- ③ Connect the high pressure water gun to the other end of the high pressure water pipe.
- ④ Connect the nipple connector (male) to the water inlet, use the provided wrench to tighten it, and connect the water pipe connector (female) to the nipple connector (male).
- ⑤ Connect the inlet high-pressure water pipe connector (female) to the water pipe connector (male).
- ⑥ Connect the filter of the high-pressure



water pipe to the bucket.

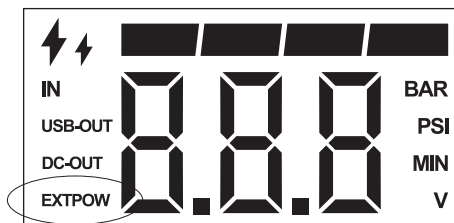
### How to turn on the water pump

- ① In the power-on state, long press the WASH button for 3 seconds, the water pump is turned on.
- ② Short press the WASH button to turn off the water pump.



## 1.8 External Power Supply Function

Connect the car cigarette lighter with the product's DC output port to supply power to the product, at this time the EXTPOW icon will be light on.



After the EXTPOW icon is on, the following functions are available but the functions cannot be used at the same time.

LED function	USB-C output	Air pump function
Water pump function	USB-A output	/

## 2. Product Charging Method

**Ready to charge: power adapter that supports PD protocol, USB-C To USB-C cable, Cigarette lighter plug to DC wires;**

**Two Charging Ways :**

- ① Using the USB cable to connect the power adapter with USB-C charging port of the product
- ② Using the cigarette lighter plug to DC wires to connect the **car cigarette lighter** and **DC input** port of the product

The battery indicator on the screen is on in marquee, the IN icon is on, indicating that the product is charging normally, if the two lightning symbols are on means fast charging.

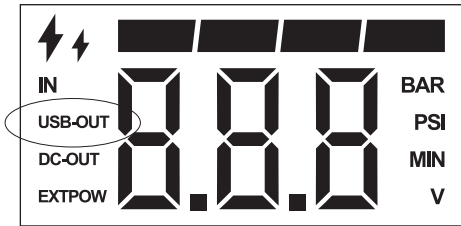
When the power of the product is exhausted or in the case of low power, please charge it in time to prevent abnormal battery undervoltage. Long-term zero battery state may cause the product to fail to charge.

## 3. Charge Your Phone with USB-A

**Ready to charge your phone: USB-A To USB-C cable,**

mobile phone (if the mobile phone supports 9V2A or QC3.0 protocol, it can support 9V2A fast charge)

Connect the A port of the USB cable to the product, and the C port to the Type-C charging port of the mobile phone. After the charging is successful, the "OUT" icon of the product flashes (Note: When the USB-C output is used alone to charge the electrical device successfully, the OUT icon flashes, When USB-C and USB-A are outputting at the same time, the OUT icon will light up).



## 4. LED Light Function

- ① Press the "LED light control" button for 1 second, the LED light will turn on.
- ② Short press the "LED light control" button to switch modes: light, strobe, SOS, off.
- ③ Press the "LED light control" button for 2 seconds to turn the LED light off.

