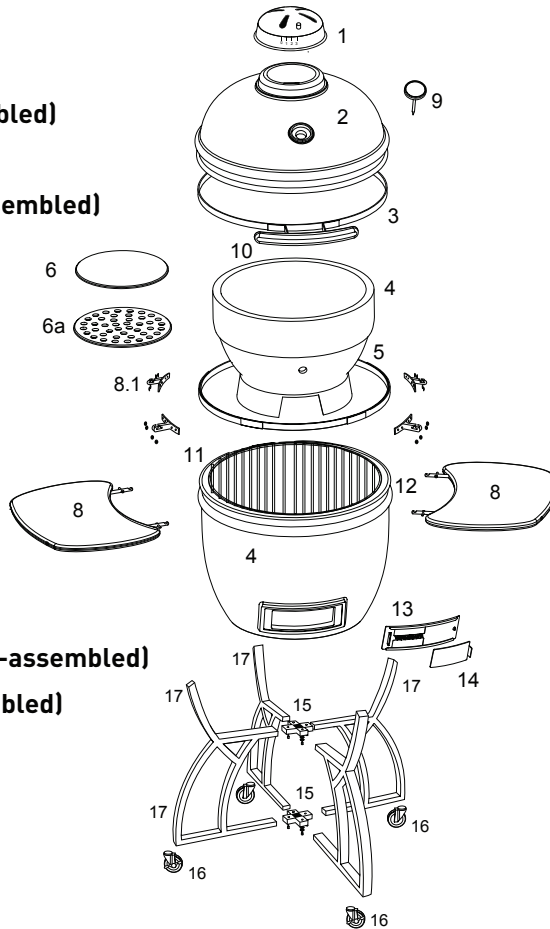


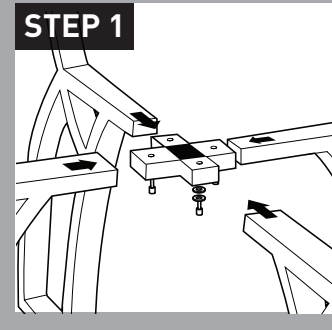
PART NAMES

1. Top Vent
2. Ceramic Dome Top
3. Top Ring Assembly (pre-assembled)
4. Fire Bowl
5. Bottom Ring Assembly (pre-assembled)
6. Deflector / Pizza Stone
- 6a. Charcoal Grate
7. Ceramic Dome Bottom
8. Side Boards
- 8.1 Side Board Bracket and Bolts
9. Thermometer (pre-assembled)
10. Handle
11. Cooking Grid
12. Felt Gasket (pre-assembled)
13. Bottom Draft Door Frame (pre-assembled)
14. Bottom Draft Door (pre-assembled)
15. X-Bracket (x2)
16. Caster Wheels (4x)
17. Cart Legs(x4)



Questions, problems, missing parts? Contact technical support department at 657-341-0362, 9:00 a.m. - 5 p.m., PST, Monday - Friday or email us cs@scsources.com

STEP 1



Step 1: Cart Assembly

Assemble the cart by securing the two cross legs. While assembling, do not tighten until all adjustments of the cart have been made. After aligning for proper fit, lift the Kamado and set into the cart with the bottom vent centered between both legs.

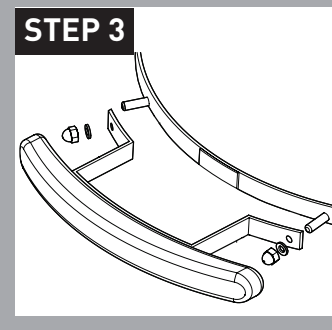
STEP 2



Step 2: Grill Assembly

Take all parts out of the grill before lifting it out of the box. Place the fire bowl inside the Kamado. Place the cast iron grate into the fire bowl. Place the cooking grate onto the grill and hang the deflector stone on the cooking grate brackets. Or use the stone above the grate for pizza.

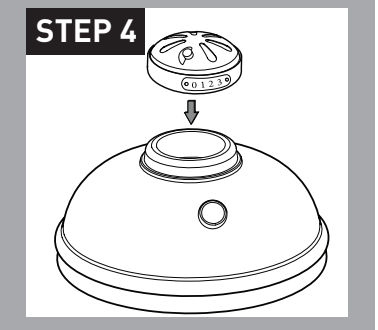
STEP 3



Step 3: Handle Mounting

Remove the nuts and washers from the bolts welded on the top banding carefully. Remove the paper washers, place the handle on the bolts and tightly screw the handle down using the nuts and washers. Attach the handle by placing handle bracket over studs, opposite the hinge. On each stud use flat washer, then screw on acorn nut and tighten.

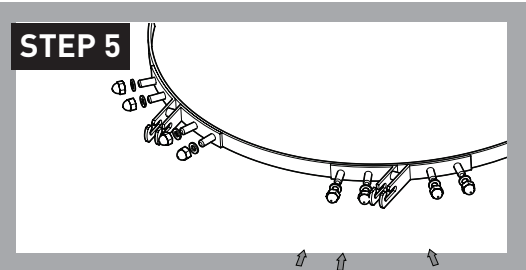
STEP 4



Step 4: Top Vent Mounting

Close the lid and press the top vent onto the top of the Kamado so the spring clips are fully engaged, with calibrations facing the front of the grill.

STEP 5



Step 5: Shelf Mounting

Mount shelf brackets over studs with bracket slots facing up. Bracket alignment is important as they are individually made for each side. Mount flat washer then acorn nut on each stud and tighten with wrench provided.

Long-Term Maintenance Tips

Routinely check the Spring Assist Band to make sure the 2 5/8" bolts are tight and secure.