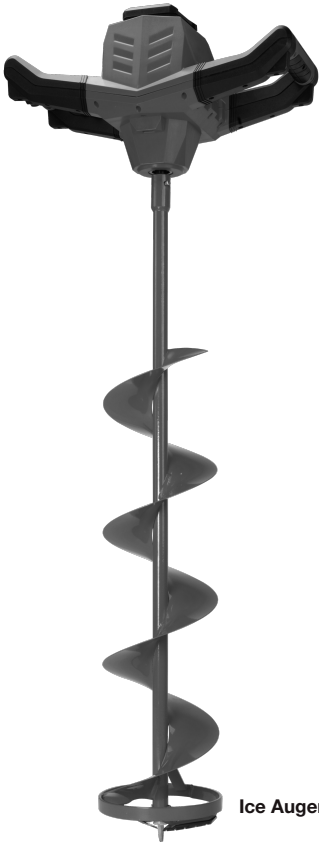




48V Electric Earth/Ice Auger Instruction Manual



Earth Auger



Ice Auger



WARNING:

Read carefully and understand all INSTRUCTIONS before operating. Failure to follow the safety rules and other basic safety precautions may result in serious personal injury. Save these instructions in a safe place and on hand so that they can be read when required. Keep these instructions to assist in future servicing.



IMPORTANT SAFEGUARDS

For your own safety, always follow these basic precautions when using this appliance.

1. Read the user Manual carefully for operating instructions. Read all instructions in this manual before use.
2. DO NOT use this product for anything other than its intended purpose.
3. DO NOT use attachments other than those available from the manufacturer.
4. DO NOT alter this product in any manner; doing so is dangerous and will void all warranties.
5. DO NOT allow children or adults weighing under 100 lbs. to operate this unit.
6. DO NOT allow your body, loose clothing, drawstrings, scarves, hats or other materials to touch the power head, or auger (drill) unit at any time.
7. DO NOT operate under the influence of drugs or alcohol.
8. DO NOT continue to use this product in the event of mechanical or electrical failure.
9. The blades are very sharp. Use extreme caution when drilling a hole or replacing the blades. Put the blade guard on after each use.
10. This product produces considerable cutting force that is felt by the operator. Make sure your feet are firmly planted and the handles are firmly held while operating this product.
11. During operation, the auger unit could possibly stop. Be prepared at any time to release the buttons.
12. Check cutting blades and auger shaft screws before and after each use to make sure they are tight.
13. The battery must be removed before any repairs.
14. When drilling the holes, do not push down on the unit. If auger begins to drill slowly, blades may need to be sharpened or replaced.
15. When drilling, do not push down too hard. It may bring great load to the unit and the overload protector will work to stop the unit.
16. In case of getting stuck during the drilling, it may hit big rocks or roots. Do not continue drilling. Take out rocks or roots, or drill in another place.
17. DO NOT discard the battery into trash can. Discard the battery according to your local, state, federal or country's regulations.

SPECIFICATIONS

Item No.	Description	Dimension	Net/Gross Weight
LAB01	Power head (2Ah battery included)	20.7"x12.8"x13.6"	15/18 lbs
BL482	4Ah Lithium Ion Battery	6.5"x7"x5"	3/4 lbs
BL481	2Ah Lithium Ion Battery	6.5"x7"x3.5"	1.8/2.5 lbs
LAB01-040	4" Earth Auger	30"x4.7"x4.7"	5.5/7.5 lbs
LAB01-030	6" Earth Auger	30"x6.7"x6.7"	7.7/10 lbs
LAB01-032	8" Earth Auger	30"x8.7"x8.7"	10/12 lbs
LAB01-031	6" Ice Auger	41"x6.7"x6.7"	7.7/10 lbs
LAB01-029	8" Ice Auger	41"x8.7"x8.7"	10/12 lbs
LAB01-041	10" Ice Auger	41"x10.6"x10.6"	12/14.5 lbs

READY FOR OPERATION

To Charge the Battery for First Use

1. Connect the charger to standard 110 - 240 volt outlet; a red light should appear on the charger.

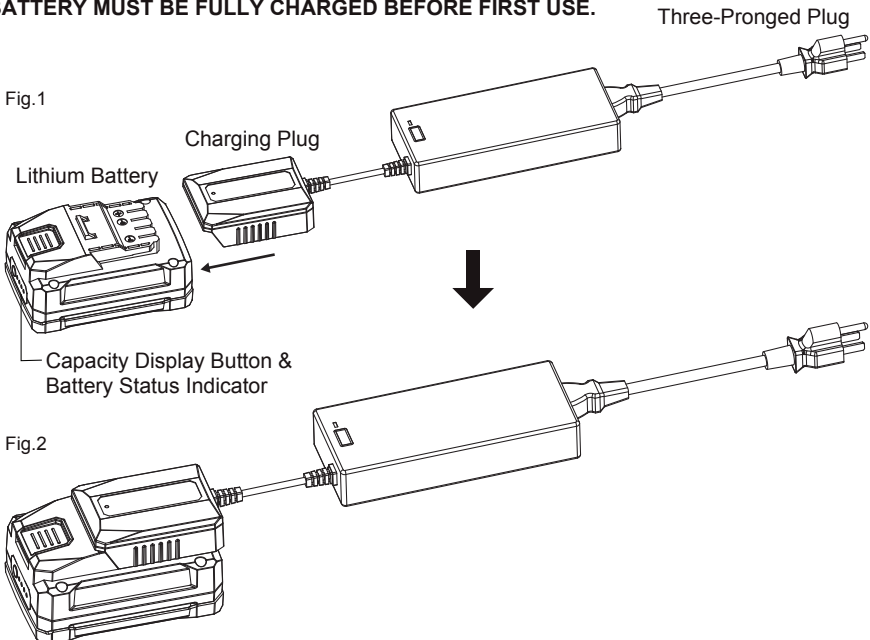
NOTE: Always connect charger to standard 110 - 240 volt outlet before connecting battery.

2. Fully insert the charging plug into the battery card slot until you hear a click or see the battery button toggle back to a flat position. (See Fig. 1 & Fig. 2)
3. Charge the battery until the light on the charger turns solid green.
4. Press the battery button, pull out the charging plug, remove the three-pronged plug from the outlet, and then disconnect the battery from charger.
5. Press the battery capacity display button, check the battery capacity through LED light.

NOTE: Do not leave the battery on the charger after the charge is completed. Unplug the charger from the outlet, and then remove the battery.

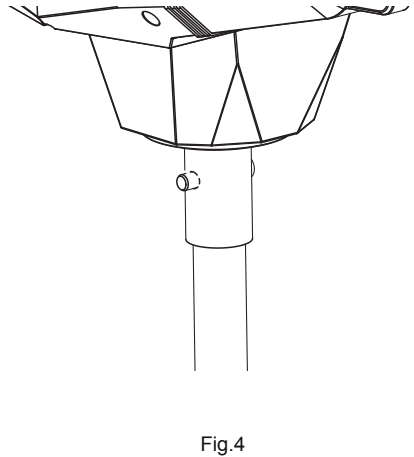
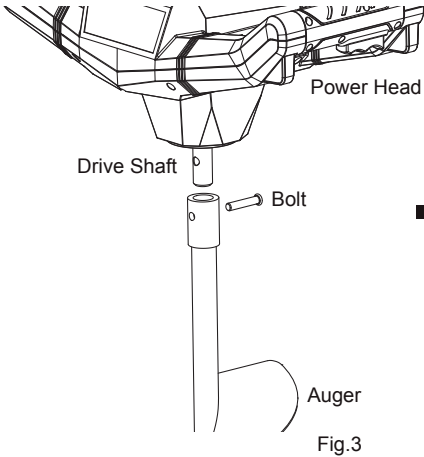
IMPORTANT

BATTERY MUST BE FULLY CHARGED BEFORE FIRST USE.



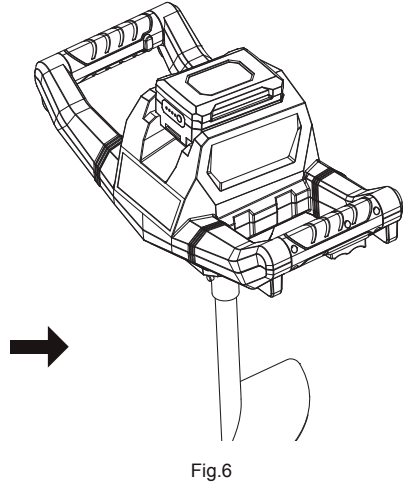
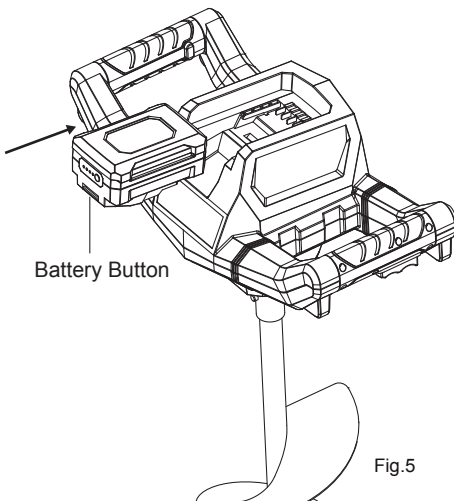
To Assemble the Auger to the Power Head

Insert the drive shaft of the power head into the collar of the auger assembly. Align the hole in the auger shaft with the hole in the power head shaft, completely insert the bolt into the holes. (See Fig. 3 & Fig. 4)



Installation and Removal of the Battery

1. Completely insert the battery into the power head along the card slot until the battery button bounces up. (See Fig. 5 & Fig. 6)



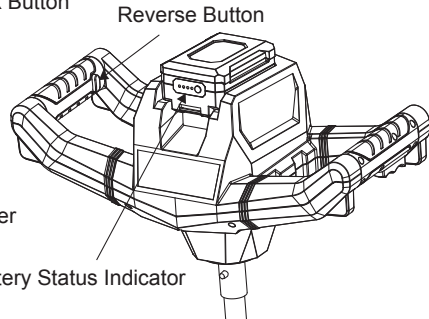
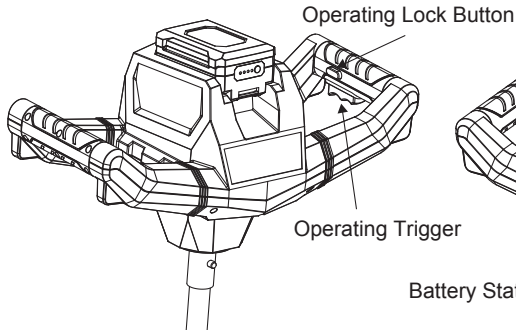
2. To remove the battery, press the battery button with the thumb, grab other sides of battery with other four fingers, and then pull the battery out.

OPERATION

The Landworks Earth Auger or Ice Auger is operated using the 48 volt lithium ion battery supplied with the unit.

1. Make sure your footing is secure and that you have the unit in the vertical position firmly in your hands.

2. Press the operating lock button, then squeeze the operating trigger. Following a one-second safety delay, the auger will then start drilling. (See Fig. 7)
3. To stop the auger, release the operating trigger.
4. If the auger is stuck or hard to be pulled out, try the reverse function. Press the Reverse Button, then press the operating lock button and the trigger. The auger will turn in reverse. After the auger is pulled out, release the operating trigger. (See Fig. 8)
5. When the auger is not in use, remove the battery.



Note: When using the ice auger, before breaking through the bottom of the ice (or if your power head locks up), use the reverse button and pull up. Then drill down and proceed to punch through the ice.

IMPORTANT

DO NOT LEAVE BATTERY ON POWER HEAD WHEN AUGER IS NOT IN USE. ALWAYS DETACH BATTERY WHEN NOT USING THE AUGER.

Battery Charging and Monitoring

1. Battery must be fully charged before first use.
2. Plug the charger into a 110-240AC outlet.
3. Always charge the battery at room temperature. If the battery is used in a cold environment, allow it to warm up for at least an hour before charging. Cold batteries will not be charged completely and battery components may be damaged.
4. Only charge battery in well ventilated area away from flammable materials such as cloth or carpeting.
5. During the charging phase, the light on the charger will be red. When the battery is completely charged, the light will turn to green.
6. To disconnect charger, remove the three-pronged plug from outlet, then disconnect the charger from the battery.
7. DO NOT leave the charger being connected to the battery for more than 24 hours.
8. The battery status indicator is mounted on the top of the battery to allow you to observe the level of the battery power while in use. When all the 3 green lights and 1 red light are lit, it means the power is sufficient. When only the red light is lit, it means it needs to be charged immediately. To check the charge level, simply press the indicator button. The lights on the status indicator show the charge level of the battery.
9. When battery power becomes insufficient to drill through ice, turn off the power switch, disconnect the battery from power head, and re-charge the battery. Do not further discharge the battery beyond the point it cannot power the auger through the ice. Completely draining the battery may damage the battery components and increase the likelihood of battery malfunction, battery fire, or even explosion.
10. If battery becomes warm or hot during charging procedure, disconnect it from charger. Allow battery to return to room temperature, and attempt to charge again. If this persists a second time, disconnect battery from charger and contact customer service.

MAINTENANCE AND STORAGE

1. Charge the battery and leave it off of the unit. DO NOT leave the battery on the charger.
2. Remove the auger from the power head and apply a thin layer of grease to the drive shaft.
3. Remove all debris from auger and power head.
4. Attach the blade guard to bottom of auger.
5. When storing the battery for the off season, fully charge the battery, and store in a dry location that maintains a temperature of 60-75 degrees F. To help maintain battery life, charge battery for 10-15 minutes every two months. (Charger may show red after 15 minutes of charging. This is normal.)

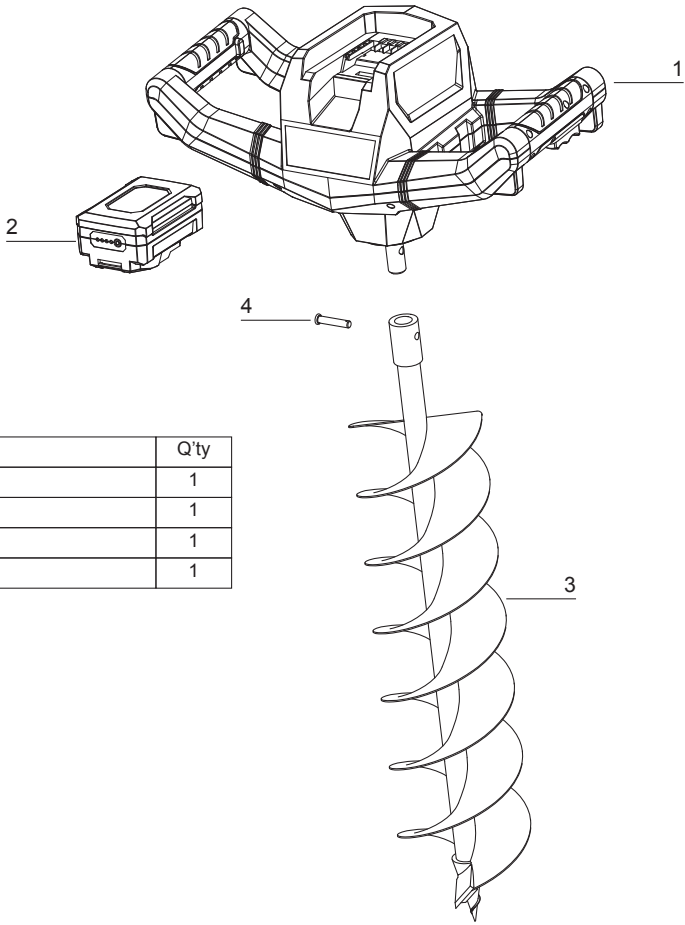
NOTE: REMEMBER TO FULLY CHARGE BATTERY BEFORE FIRST USE OF THE SEASON.

Lithium ion batteries can reach a point where they can no longer hold a charge and need to be disposed of. Please recycle the battery at your nearest recycling center.

TROUBLE SHOOTING

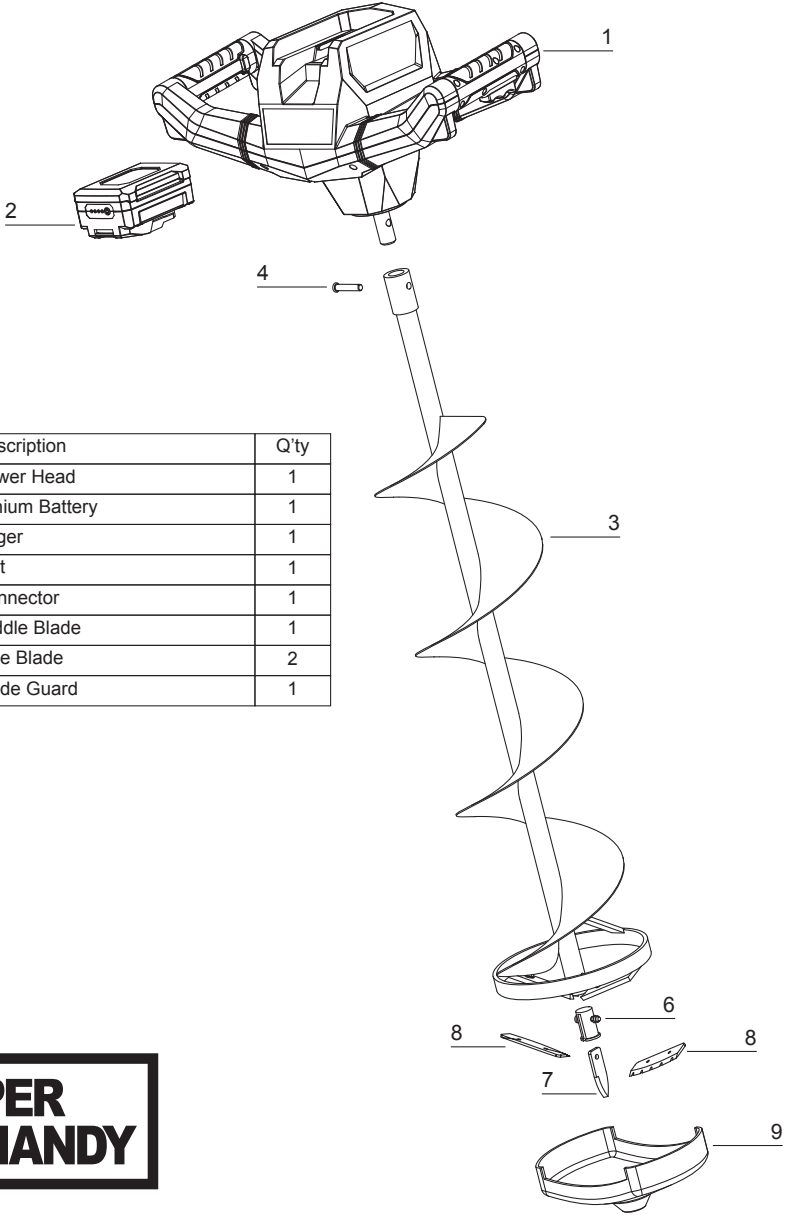
Problem	Possible Cause	Solution
Power head will not run	1. Operating trigger is not pressed completely.	1. Press the operating trigger and hold for 1-3 seconds.
Power head will not start and the battery indicates a full charge	1. Battery too cold.	1. Remove the battery from the unit and place it in a warm location (inside a jacket pocket, vehicle or a small cooler with a warmer).
Power head starts, then stops	1. Battery low on power 2. Battery may be slightly under temperature	1. Charge battery. 2. Remove the battery from the unit and place it in a warm location (inside a jacket pocket, vehicle or a small cooler with a warmer).
Auger jumps on ice	1. Blades damaged or sharpened incorrectly.	1. Replace with new blades.
Auger cuts slowly	1. Dull blades	1. Replace with new blades.
Auger head gets stuck when drilling.	1. It may hit big stocks or roots. 2. The load is too big when pushing down too hard, so that the overload protector works to stop the unit.	1. Take the rock or root out, or drill in another place. 2. Reduce the downward pressure and let the head spiral drill down naturally.
When drilling, the unit stops working after the beep.	1. The load is too big when pushing down, so that the overload protector works to stop the unit.	1. Release all the triggers and buttons, and try to operate after 3 seconds. 2. Reduce the downward pressure and let the head spiral drill down naturally.
When drilling, the unit suddenly stops workings without any warning.	1. The overload protector works. 2. If only the red light is lit, it means the battery capacity is too low.	1. Pull out the battery, wait for 3 seconds and insert it to try again. 2. Charge the battery.

EXPLODED AND PARTS LIST FOR EARTH AUGER



Part No.	Description	Q'ty
1	Power Head	1
2	Lithium Battery	1
3	Auger	1
4	Bolt	1

EXPLODED AND PARTS LIST FOR ICE AUGER



Part No.	Description	Q'ty
1	Power Head	1
2	Lithium Battery	1
3	Auger	1
4	Bolt	1
6	Connector	1
7	Middle Blade	1
8	Side Blade	2
9	Blade Guard	1



Great Circle USA
 Support Line: 1-866-493-0524
 help@greatcircleus.com
 www.greatcircleus.com