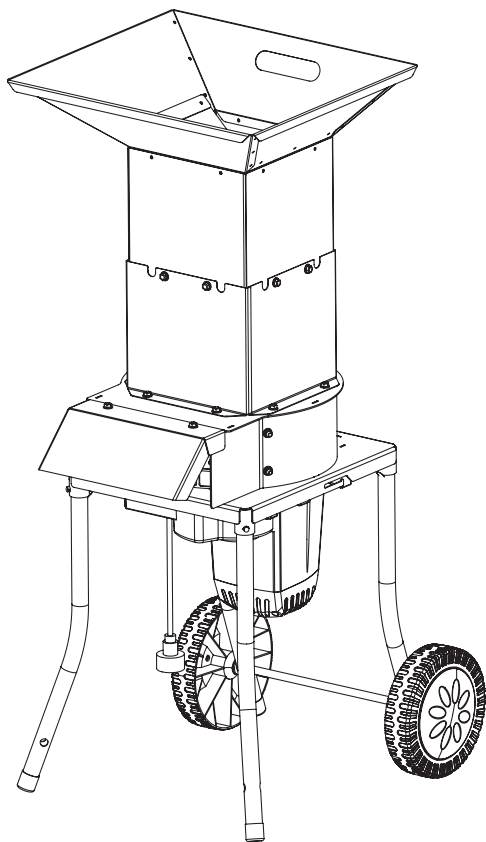




## Electric Shredder & Mulcher Operator's Manual

---



**WARNING:**

Read carefully and understand all **INSTRUCTIONS** before operating. Failure to follow the safety rules and other basic safety precautions may result in serious personal injury. Save these instructions in a safe place and on hand so that they can be read when required. Keep these instructions to assist in future servicing.

---



## IMPORTANT SAFEGUARDS

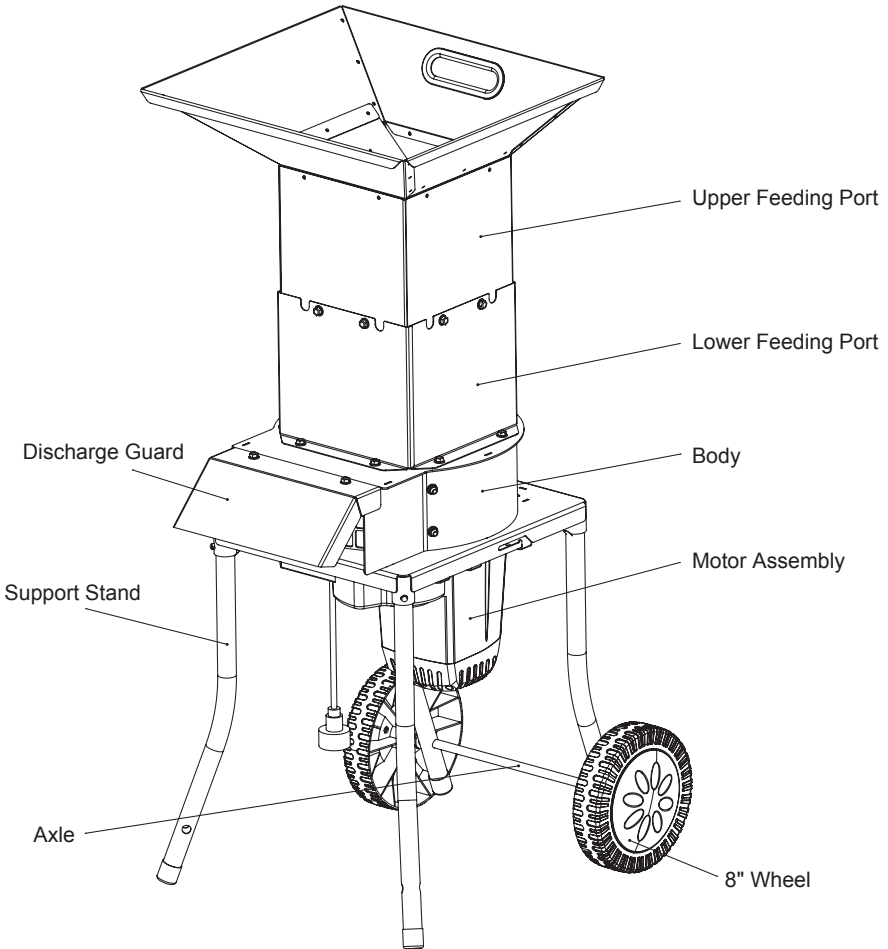
**For your own safety, always follow these basic precautions when using this appliance.**

1. Read the user Manual carefully for operating instructions. Read all instructions in this manual before use.
2. DO NOT use this product for anything other than its intended purpose.
3. DO NOT use attachments other than those available from the manufacturer.
4. DO NOT alter this product in any manner; doing so is dangerous and will void all warranties.
5. DO NOT allow children or adults weighing under 100 lbs. to operate this unit.
6. DO NOT operate under the influence of drugs or alcohol.
7. DO NOT continue to use this product in the event of mechanical or electrical failure.

## TECHNICAL DETAILS

Item No.	GUO049
Electrical Rating	120VAC / 60Hz / 15A
Wheel	8"
Blade	11" (280mm)
Blade Speed	4100RPM

## PARTS LIST AND DIAGRAM



## WARNING SYMBOLS AND DEFINITIONS

This is the safety alert symbol. It is used to alert you to potential personal injury hazards. Obey all safety messages that follow this symbol to avoid possible injury or death.



Indicates a hazardous situation which, if not avoided, will result in death or serious injury.



Indicates a hazardous situation which, if not avoided, could result in death or serious injury.

## IMPORTANT SAFETY INSTRUCTIONS



When using electric gardening appliances, basic safety precautions should always be followed to reduce the risk of fire, electric shock, and personal injury, including the following:

### READ ALL INSTRUCTIONS

#### Power Cord Safety

To reduce the risk of electric shock, use only with an extension cord intended for outdoor use, such as an extension cord of cord type SW-A, SOW-A, STW-A, STOW-A, SJW-A, SJOW-A, SJTW-A. or SJTOW-A.

1. Ground Fault Circuit Interrupter (GFCI) protection should be provided on the circuit(s) or outlet(s) to be used for the gardening appliance. Receptacles are available having built-in GFCI protection and may be used for this measure of safety.
2. Do not Abuse Cord - Do not carry appliance by cord or yank it to disconnect from receptacle. Keep cord from heat, oil, and sharp edges.
3. To reduce the risk of electric shock, this appliance has a polarized plug (one blade is wider than the other) and will require the use of a polarized extension cord. The appliance plug will fit into a polarized extension cord only one way. If the plug does not fit fully into the extension cord, reverse the plug. If the plug still does not fit, obtain a correct polarized extension cord. A polarized extension cord will require the use of a polarized wall outlet. This plug will fit into the polarized wall outlet only one way. If the plug does not fit fully into the wall outlet, reverse the plug. If the plug still does not fit, contact a qualified electrician to install the proper wall outlet. Do not change the equipment plug, extension cord receptacle, or extension cord plug in any way. This design is referred to as double-insulated, indicated by.
4. WARNING: The cord of this product contains lead, a chemical known to the State of California to cause cancer, and birth defects or other reproductive harm. Wash hands after handling. (California Health & Safety Code § 25249.5, et seq.)
5. Extension Cord - Make sure your extension cord is in good condition. When using an extension cord, be sure to use one heavy enough to carry the current your product will draw. An undersized extension cord will cause a drop in line voltage resulting in loss of power and overheating.

#### Extension Cord Size

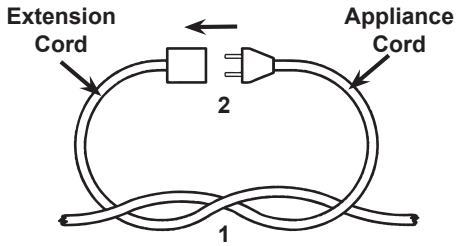
The following table shows the correct cord size to use depending on cord length and nameplate ampere rating. In if doubt, use the next heavier gauge. The smaller the gauge number, the heavier the cord.

TABLE A – MINIMUM WIRE GAUGE FOR XTENSION CORDS (120 VOLT)				
Ampere Rating (at full load)	EXTENSION CORD LENGTH			
	25'	50'	100'	150'
0 – 6	18	16	16	14
6 – 10	18	16	14	12
10 – 12	16	16	14	12
12 – 16	14	12	Not recommended	

**Connecting Cords**

To reduce the risk of the cords pulling apart during operation, do one of the following:

1. Make a knot as shown below then connect the cords:
2. Or, use a plug-receptacle retaining strap or connector designed to hold extension cords to appliance cords.



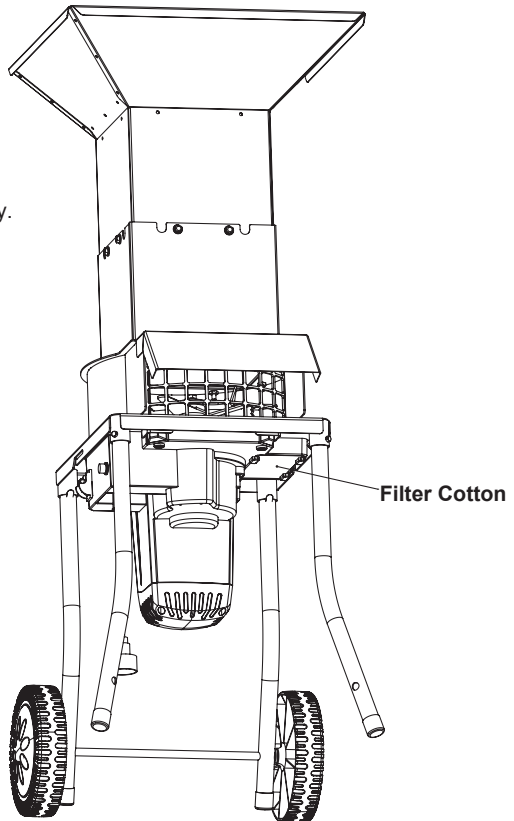
**Personal Safety**

1. Dress Properly - Do not wear loose clothing or jewelry. They can be caught in moving parts. Use of rubber gloves and substantial footwear is recommended when working outdoors. Wear protective hair covering to contain long hair.
2. Wear ANSI-approved safety goggles and heavy-duty work gloves. Use face or dust mask if operation is dusty.
3. Avoid Unintentional Starting - Do not carry plugged-in appliance with finger on switch. Be sure switch is off when plugging in.
4. Do not Overreach - Keep proper footing and balance at all times.
5. Stay Alert - Watch what you are doing. Use common sense. Do not operate appliance when you are tired.
6. People with pacemakers should consult their physician(s) before use. Electromagnetic fields in close proximity to heart pacemaker could cause pacemaker interference or pacemaker failure. In addition, people with pacemakers should:
  - Avoid operating alone.
  - Don't use with power switch locked on.
  - Properly maintain and inspect to avoid electrical shock.
  - Any power cord must be properly grounded. Ground Fault Circuit Interrupter (GFCI) should also be implemented – it prevents sustained electrical shock.

**Gardening Appliance Use and Care**

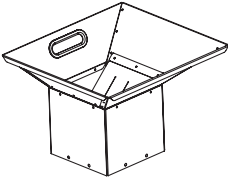
1. Avoid Dangerous Environment - Do not use appliances in damp or wet locations.
2. Do not use in rain.
3. Keep Children Away - All visitors should be kept at a distance from work area.
4. When servicing use only identical replacement parts.
5. Before Starting the Shredder, make sure that the hopper inlet is empty.
6. Keep your face and body away from the Hopper opening.
7. Stay clear of the discharge area. Keep body and hands away from the discharge chute.

8. Do not put your hands into the hopper opening while the unit is running. Use the paddle to push objects into the hopper.
9. Before feeding material into the shredder, remove any metal, rocks, bottles, cans or other foreign objects that may damage blades.
10. Use Right Appliance - Do not use appliance for any job except that for which it is intended.
11. Do not Force Appliance - It will do the job better and with less likelihood of injury at the rate for which it was designed.
12. Store Idle Appliances Indoors - When not in use, appliances should be stored indoors in dry, and high or locked-up place - out of reach of children.
13. Maintain Appliance With Care - Keep cutting edge sharp and clean for best performance and to reduce the risk of injury. Follow instructions for lubricating and changing accessories. Inspect appliance cord periodically, and if damaged, have it repaired by an authorized service facility. Inspect extension cords periodically and replace if damaged. Keep handles dry, clean, and free from oil and grease.
14. Check Damaged Parts - Before further use of the appliance, a guard or other part that is damaged should be carefully checked to determine that it will operate properly and perform its intended function. Check for alignment of moving parts, binding of moving parts, breakage of parts, mounting, and any other condition that may affect its operation. A guard or other part that is damaged should be properly repaired or replaced by a qualified technician unless indicated elsewhere in this manual.
15. Disconnect Appliance - Disconnect the appliance from the power supply when not in use, before servicing, when changing accessories such as blades, and the like.
16. Keep guards in place and in working order.
17. Keep blades sharp.
18. Keep clear of intake and discharge chute. Use included push paddle. Unplug unit and allow it to stop before unclogging.
19. In order to reduce dust entering the motor, clean the filter cotton frequently. It is better to clean it after each use. The steps are: Take out the filter cotton from the air inlet, after cleaning the filter cotton, install it back.

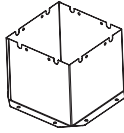


# PACKAGE INCLUDES

Upper Feeding Port #4    Lower Feeding Port #7

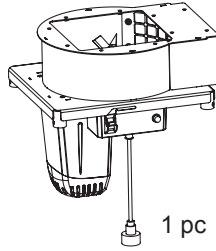


1 pc



1 pc

Body #20



1 pc

Support Stand #22



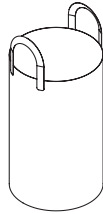
4 pcs

Wheel #27



2 pcs

Wheel #37



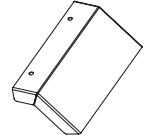
1 pc

Axle #25



1 pc

Discharge Guard #16



1 pc

Flat Washer #28



(24\*2.5mm)  
4 pcs

Pin #26



(2.5\*25mm)  
2 pcs

Flange Bolt #5



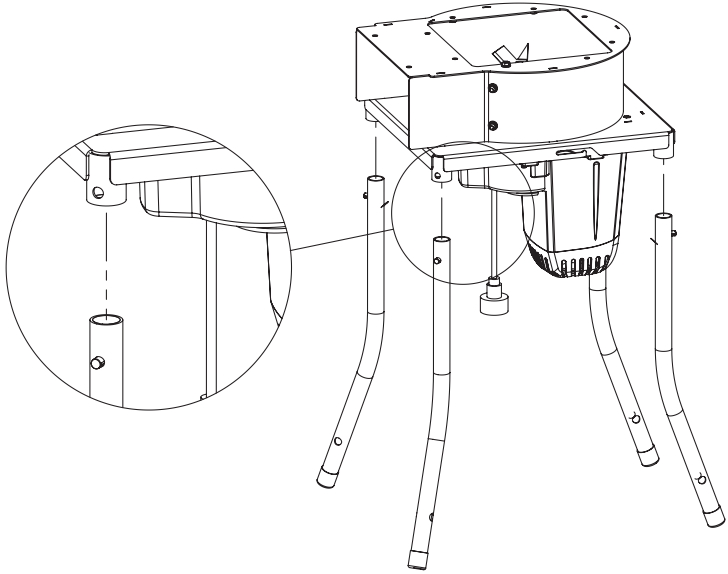
(M6\*16mm)  
18 pcs

Flange Nut #6

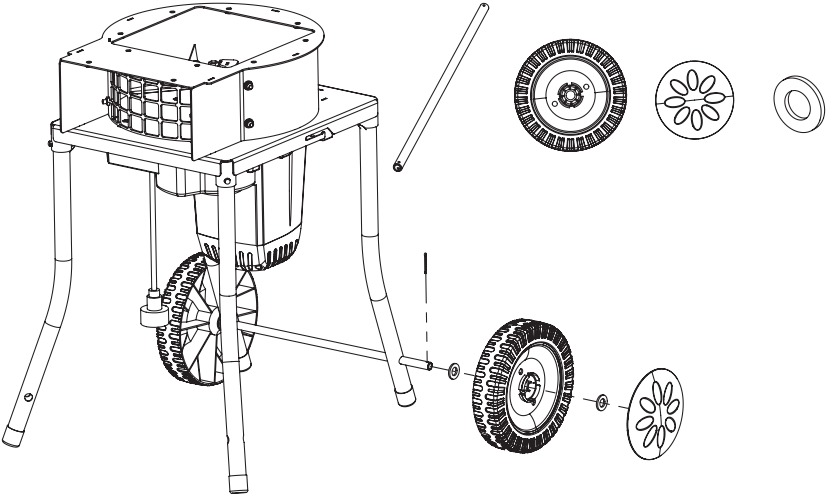


M6  
8 pcs

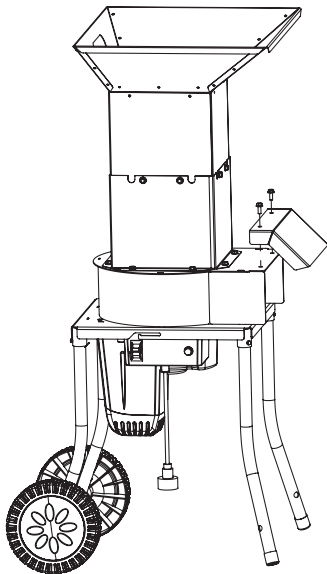
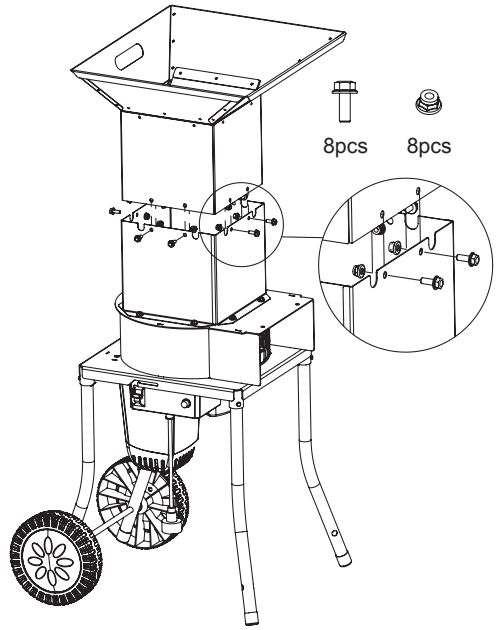
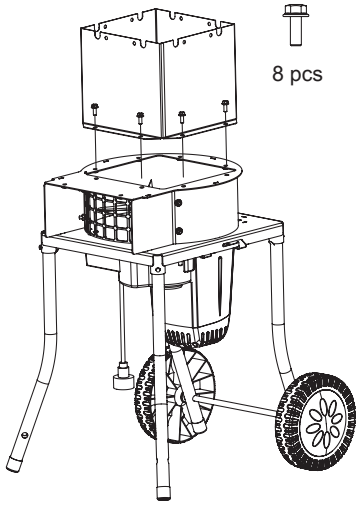
# INSTALLATION STEPS



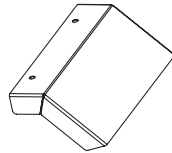
1pc      2pcs      2pcs      4pcs      2pcs







2 pcs



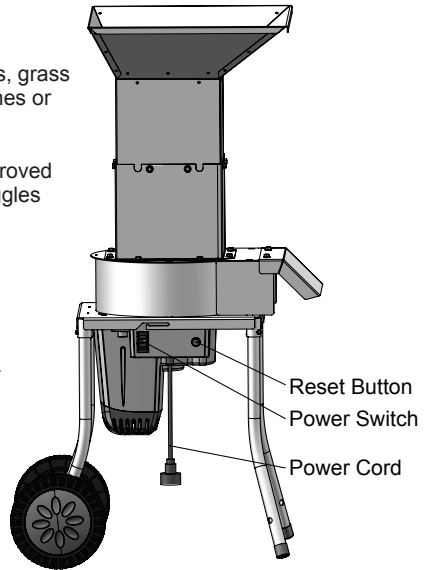
1 pc

## OPERATION

### **▲WARNING**

This leaf shredder is only used for shredding leaves, grass clippings, etc. It is not suitable for shredding branches or long fiber plants which above 0.5".

1. Before operating the Shredder, put on ANSI-approved safety goggles and other safety gear. Safety goggles and other safety gear are sold separately.
2. If an extension cord is used, ensure that it is an outdoor type extension cord and that it is the correct design to accept this appliance's plug.
3. Check that the Power Switch is OFF.
4. Check that the feed inlet is empty.
5. Plug the Power Cord into a 120VAC/60Hz outlet.
6. Turn on the Power Switch.
7. Do not shred soft, damp leaves it may clog the Shredder. Let damp garden waste dry for a few days before shredding.
8. Use the push paddle to feed leaves and other small material into the Hopper.
9. Feed material into the Shredder at the rate that the machine pulls the material. Do not force material into the machine.
10. Wait for all material to pass through the Shredder before turning the unit off.
11. To prevent accidents, turn the power off, and disconnect the power supply after use. Clean, then store the appliance indoors out of children's reach.



## OVERLOAD PROTECTION

This Shredder is equipped with an overload protection system. If the unit clogs while running, the overload protection system will shut the power off. Wait at least one minute before restarting. Press the Reset Button then turn the Power Switch on.

## MAINTENANCE AND SERVICING

Procedures not specifically explained in this manual must be performed only by a qualified technician.

### **▲WARNING**

#### **TO PREVENT SERIOUS INJURY FROM ACCIDENTAL OPERATION OR ELECTRIC SHOCK:**

Turn the Power Switch of the appliance to its "OFF" position and unplug the appliance from its electrical outlet before performing any inspection, maintenance, or cleaning procedures.

#### **TO PREVENT SERIOUS INJURY FROM TOOL FAILURE:**

Do not use damaged equipment. If abnormal noise or vibration occurs, have the problem corrected before further use.

1. **BEFORE EACH USE**, inspect the general condition of the tool. Check for:
  - Loose hardware
  - Misalignment or binding of moving parts
  - Cracked or broken parts
  - Damaged cord/electrical wiring
  - Any other condition that may affect its safe operation
2. **AFTER USE**, clean external surfaces of the appliance with clean, moist cloth.
3. Replace or sharpen the Blades as needed.
4. If the motor turns but the appliance does not function, the belt may be broken. Have the belt replaced by a qualified technician.

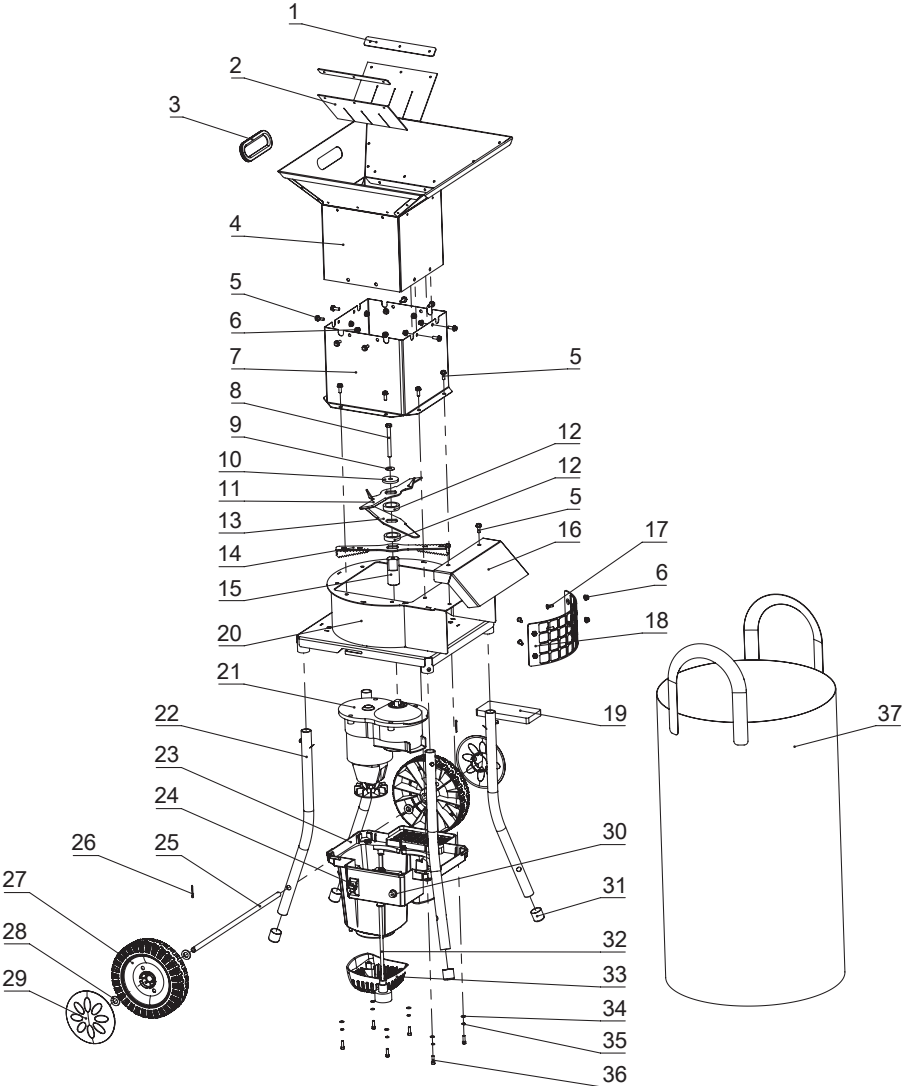
## TROUBLE SHOOTING

1. Normal and regular maintenance will extend the service life of the equipment.

2. The following troubleshooting guide lists the most common problems, causes and solutions.

PROBLEM	POSSIBLE CAUSE	SOLUTIONS
Engine won't start.	<ol style="list-style-type: none"> <li>1. The cutting blade is stuck.</li> <li>2. The motor is overheated.</li> <li>3. The extension cord is too long.</li> <li>4. The device is not connected to power.</li> <li>5. The overload protector starts.</li> <li>6. The motor or electrical components is malfunction.</li> </ol>	<ol style="list-style-type: none"> <li>1. Remove the blockage.</li> <li>2. Operate the equipment in the area with air circulation.</li> <li>3. Select extension wire reasonably. (high power loss due to resistance).</li> <li>4. Connect the power supply.</li> <li>5. Reset the overload protector.</li> <li>6. Repair or replacement by professional technicians.</li> </ol>
Engine stops suddenly.	<ol style="list-style-type: none"> <li>1. Turn off the power switch unexpectedly.</li> <li>2. Disconnect the power plug.</li> <li>3. The motor is overheated.</li> <li>4. The overload protector starts due to the blockage.</li> <li>5. The motor or electrical components is malfunction.</li> </ol>	<ol style="list-style-type: none"> <li>1. Restart the power switch.</li> <li>2. Reconnect the power plug.</li> <li>3. Run after cooling the motor.</li> <li>4. Reset the overload protector after removing the blockage.</li> <li>5. Repair or replacement by professional technicians.</li> </ol>
Cutting ability reduced.	<ol style="list-style-type: none"> <li>1. The blade edge is worn.</li> <li>2. The blade is not installed correctly.</li> <li>3. The discharge port is blocked.</li> <li>4. The extension cord is too long.</li> <li>5. There are other electrical loads connected to the power supply.</li> </ol>	<ol style="list-style-type: none"> <li>1. Replaced by professional technicians.</li> <li>2. Installed by professional technicians.</li> <li>3. Remove the blockage.</li> <li>4. Select extension wire reasonably. (high power loss due to resistance).</li> <li>5. The device should connect to the power supply separately. (Other electrical loads will reduce power)</li> </ol>
Abnormal vibration of equipment. Note: Stop the motor immediately and disconnect the power.	<ol style="list-style-type: none"> <li>1. The blade is loose or unstable.</li> <li>2. The equipment fastener is loose.</li> </ol>	<ol style="list-style-type: none"> <li>1. Check blades and replace as necessary.</li> <li>2. Tighten bolts and nuts.</li> </ol>

# PARTS BREAKDOWN



Part No.	Description	Q'ty	Part No.	Description	Q'ty
1	Pressing Plate	2	20	Body	1
2	Rubber Curtain	2	21	Motor	1
3	Handle	1	22	Support Stand	4
4	Upper Feeding Port	1	23	Motor Cover	1
5	Hexagon Flange Bolts M6*16	18	24	Switch	1
6	Flange Lock Nut M6	10	25	Axle	1
7	Lower Feeding Port	1	26	Pin	2
8	Hexagon Head Bolt M8*80	1	27	8" Wheel	2
9	Large washer 8	1	28	Flat Washer 12	4
10	Pressing Plate	1	29	Wheel Cover	2
11	Upper Blade	1	30	Overload Protector	1
12	Bushing	2	31	Foot Pad	4
13	Bottom Blade	1	32	Power Cord	1
14	Blade	1	33	Motor Upper Cover	1
15	Transmission Shaft	1	34	Flat Washer 5	6
16	Discharge Guard	1	35	Elastic Ring	6
17	Countersunk Head Screw M6*16	4	36	Cylindrical Head Screw M5*16	6
18	Screen Plate	1	37	Woven Bag	1
19	Filter Cotton	1			







Great Circle USA  
Support Line: 1-866-493-0524  
[help@greatcircleus.com](mailto:help@greatcircleus.com)  
[www.greatcircleus.com](http://www.greatcircleus.com)