



Cordless Portable Pulling Tool Instruction Manual



WARNING:

Read carefully and understand all INSTRUCTIONS before operating. Failure to follow the safety rules and other basic safety precautions may result in serious personal injury. Save these instructions in a safe place and on hand so that they can be read when required. Keep these instructions to assist in future servicing.



IMPORTANT SAFEGUARDS

For your own safety, please always follow the following basic precautions when using this product. Failure to observe these instructions could lead to serious injury or death.

WARNING

CHEMICAL AND FIRE HAZARD

1. Always Know Your Pulling Tool. Take time to fully read the Installation and Operator's Guide, in order to understand your pulling tool and its operations.
2. Always wear gloves, eye and ear protection.
3. Never store battery pack in a tool box or pocket with nails, screws, keys, etc. Shorting of battery terminal may cause fire.
4. Always avoid contact with battery leakage, which may occur under extreme usage or temperature conditions.
5. Always dispose or recycle battery according to local ordinances I regulations.
6. Always protect terminals with insulating tape, prior to disposal, to prevent shorting.
7. Never attempt to disassemble the battery. No user serviceable parts are inside.
8. Never charge damaged battery packs, replace damaged pack immediately. Battery short or fire may result.
9. Never incinerate the battery pack even if it is severely damaged or is completely worn out.
10. Never operate pulling tool in an environment containing explosive or combustible material.
11. Always remove the battery when the unit is not in use.
12. Never charge damaged battery packs, replace damaged battery pack immediately. Battery short or fire may result.

CHARGER USE

1. Always fully charge battery before use.
2. Always use Landworks charger to charge Landworks type battery pack, Other types of batteries may burst causing damage and injury to person.
3. Never operate charger with damaged cord or plug. Replace them immediately.
4. Never use Landworks charger to charge other batteries.

ELECTRICAL HAZARD

1. Always use properly grounded single phase receptacle protected by a ground fault circuit interrupter (GFCI).
2. Never remove ground pin from plug.
3. Never route electrical cables across sharp edges.
4. Never route electrical cables through or near moving parts.
5. Never route electrical cables near parts that become hot.
6. Never remove electrical cover from battery charger.
7. Never leave the puling tool power cord plugged in when installing, rigging, servicing or when the puling tool is not being used.

8. Never disconnect ground bond.
9. Never operate AC pulling tool in a damp or wet environment.
10. Always power pulling tool with only the recommended electrical system voltage. See the pulling tool specification sheet for details.
11. Never operate charger if it has received a sharp blow, been dropped or otherwise damaged in any way.
12. Never charge battery in damp or wet environment.
13. Always charge battery at temperatures between 32°F-120°F (0°C-49°).
14. Always store battery at temperatures between 32°F-86°F (0°C-30°C).
15. Always disconnect charger when battery is fully charged.
16. Never probe with conductive object.
17. Always fully charge battery before use.
18. Never completely discharge battery.
19. Always charge battery every six months if not in use.

CUT AND BURN HAZARD

To avoid injury to hands and fingers:

1. Always wear gloves, eye and ear protection.
2. Never short battery terminals because it may cause sparks or burns.

FALLING OR CRUSHING HAZARD

1. Never use pulling tool to secure a load.
2. Never shock load rope. Shock load can damage, overload and break rope.
3. Never use the pulling tool's rope to tow another vehicle or object. Impact loading during towing can exceed rope strength.
4. Always be certain the anchor you select will withstand the load and the strap or chain will not slip.
5. Always take time to use appropriate rigging techniques for pulling/lifting.
6. Never spool out past length of red rope.
7. Never exceed pulling tool or rope capacity listed on product data sheet.
8. Never exceed the maximum pulling capacity as 1000 lb. (454 kg).
9. Always use suitable anchor point capable of handling load.
10. Always use factory approved mounting hardware, components, and accessories.
11. Always re-spool under tension load after use.
Tightly wound rope reduces chances of "binding", which can damage the rope.
12. Always spool the rope onto the drum in the direction specified by the product warning Label on the product and/or documentation.
13. Always avoid on/off cycles (jogging or plugging) pulling tool This can damage motor controls and rope.
14. Never attach a recovery strap to the pulling tool hook to increase the length of a pull.
15. Always use a hook with a latch.
16. Always ensure hook latch is closed and not supporting load.
17. Never apply load to hook tip or latch. Apply load only to the center of hook.
18. Never use a hook whose throat opening has increased, or whose tip is bent or twisted.
19. Never attempt to tow a vehicle or object with the recovery strap attached directly to the pulling tool hook.
20. Never use bungee straps that develop tremendous and potentially dangerous amounts of force when stretched.

21. Always avoid side pulls which can pile up rope at one end of the drum. This can damage rope or pulling tool.
22. Never hook rope back onto itself This damages the rope,
23. Always use a choker chain, choker rope, or strap.
24. Never use puling tool to lift or move persons.

MOVING PARTS ENTANGLEMENTHAZARD

GENERAL SAFETY

1. Always Know Your Pulling Tool. Take time to fully read the Instructions and/or Operations Guide, in order to understand your pulling tool and its operations.
2. Always keep hands clear of wire rope, hook loop, hook and fairlead opening during installation, operation and when spooling in or out.
3. Always keep hands and clothing clear of the rope, hook and fairlead opening during operation and when spooling.
4. Never let rope slip through your hands.
5. Never operate this puling tool when under the influence of drugs, alcohol or medication.

PULLING SAFETY

1. Always keep pulling tool and pulling/lifting load in sight during pulling/lifting operation.
2. Always require operators and bystanders to be aware of rope and load.
3. Always be aware of stability of load during pulling lifting, keep others away. Alert all bystanders of any unstable condition.
4. Never touch rope or hook while someone else is at the control switch or during pulling/lifting operation.
5. Never touch rope or hook while in tension or under load.
6. Always inspect rope, hook, and slings before operating pulling tool, Frayed, kinked or damaged wire rope must be replaced immediately. Damaged components must be replaced before operation. Protect parts from damage.
7. Always tightly wind wire rope onto drum after each use, During spooling in or out,rope direction can unexpectedly switch if rope is in layers on drum. Tightly wound rope reduces chance of binding.

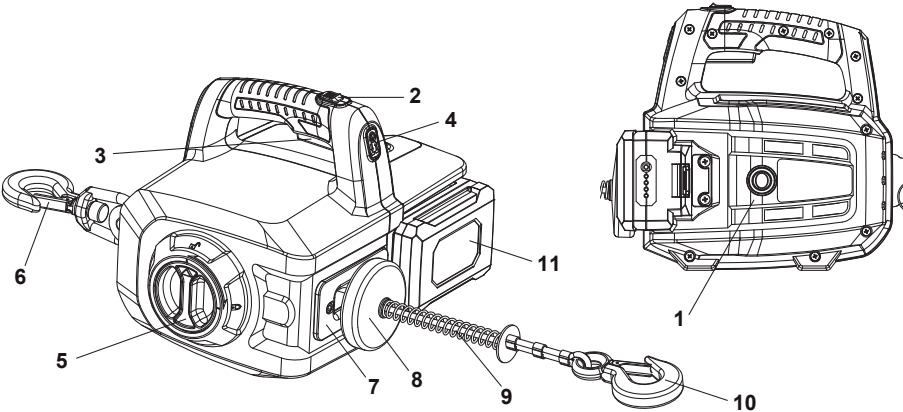
OPERATIONAL SAFETY



1. Always wear heavy leather gloves when handling rope.
2. Always stand clear of rope and load and keep others away while pulling/lifting.
3. Always remove any element or obstacle that may interfere with safe operation of the pulling tool.
4. Never leave the pulling tool power cord plugged in when installing, rigging, servicing or when the pulling tool is not being used.
5. Always use supplied hook strap whenever spooling rope in or out, during installation, assembling, repairing and operation. Do not connect power supply.
6. Always use extreme caution when handing hook and rope during spooling operations.
7. Never operate or install a pulling tool without reading or understanding the operator S manual.
8. Never operate this pulling unit if you are under 16 years of age.

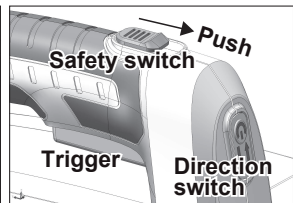
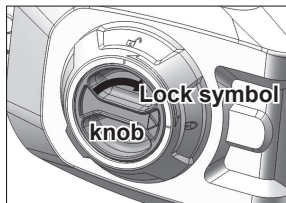
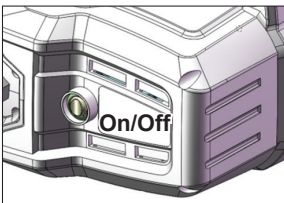
SPECIFICATIONS




Item No.	Description	Power	Volt	Max. Pulling force	Rope size	Size	Net/Gross weight
LWB0102	DC+ wire rope	DC48V,2Ah	550W	1000Lb 454kg	0.24in x 20ft 6mmx6000mm	12.7"x9.1"x9.8" 325x230x250mm	22/26 lbs 10/12kg
LWB0104	DC+ polyethylene rope	DC48V,2Ah	550W	1000Lb 454kg	0.24in x 20ft 6mmx6000mm	12.7"x9.1"x9.8" 325x230x250mm	19/23 lbs 8.6/10.5kg
LWB0105	DC+ wire rope	DC48V,4Ah	550W	1000Lb 454kg	0.24in x 20ft 6mmx6000mm	12.7"x9.1"x9.8" 325x230x250mm	23.2/27.5lbs 10.6/12.6kg
LWB0106	DC+ polyethylene rope	DC48V,4Ah	550W	1000Lb 454kg	0.24in x 20ft 6mmx6000mm	12.7"x9.1"x9.8" 325x230x250mm	20.2/24.5lbs 9.2/11.1kg
BL481	2Ah 48V Lithium Battery	-	-	-	-	6.5"x7"x3.5" 165x178x89mm	1.8/2.5lbs 0.8/1.2kg
BL482	4Ah 48V Lithium Battery	-	-	-	-	6.5"x7"x5" 165x178x89mm	3/4lbs 1.4/1.8kg

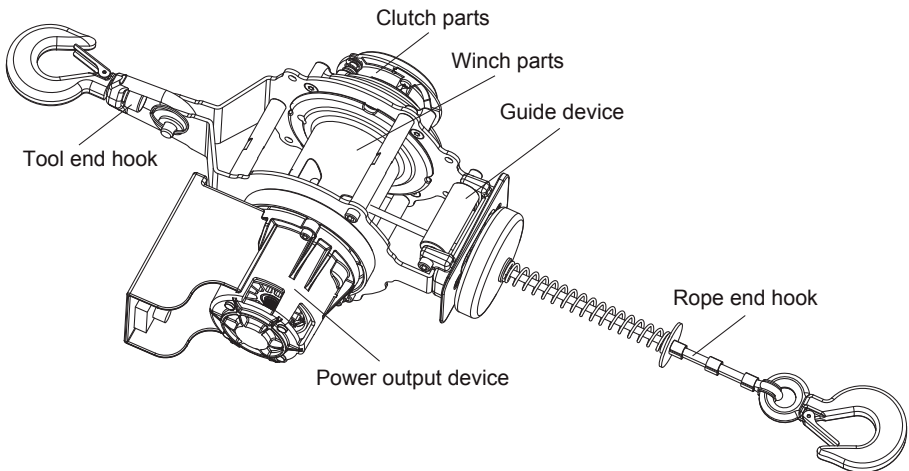
STRUCTURES



- 1. On/Off :** press  the on/off button for power supply of traction tools. The power supply will automatically disconnect without operation over 10 minutes, to restart the tool, press the main power switch again.
- 2. Safety switch:**  It is a protective mechanism, which can prevent misoperation. Push the switch to the end, then press the trigger to start the work of the traction tool. During working you can release the finger on the safety switch and the switch can be automatically reset when releasing the trigger.
- 3. Trigger:** Press/release the control traction tool to start/stop. Do not press this trigger incase the safety switch is not in place.



4. **Direction switch:**  used for switching rope out/in (winding forward/reverse). The downward arrow lights up for rope out and the upward arrow lights up for rope in. The direction of the rope should always be the same as the direction indicated by the arrow.
5. **Clutch knob:** switching the state of the clutch mechanism by rotation, turning the arrow of the knob to the  unlocking sign indicate that the clutch mechanism is disconnected and the winding is in free state. Turn the knob arrow to  locking sign indicate that the clutch mechanism is connected and can transmit power.
6. **Tool end hook:** Used to connect anchor point in horizontal traction and traction object in vertical traction.
7. **Guide:** Used to keep the rope is orderly wound on the winding.
8. **Stopper:** Fixed on the rope, keep a safe distance from the end of the hook, and stop in advance when the rope is rewound.
9. **Rope:** There are two kinds of wire rope/polyethylene rope. There is a warning sign of one meter at the end of winding, which indicates that the rope must stop at this position and stop continuing to pull out.
10. **Rope end hook:** To connect with the object in horizontal traction, and connected with anchor point in vertical traction.
11. **Battery pack:** Power supply for motor, 2Ah and 4Ah for optional.

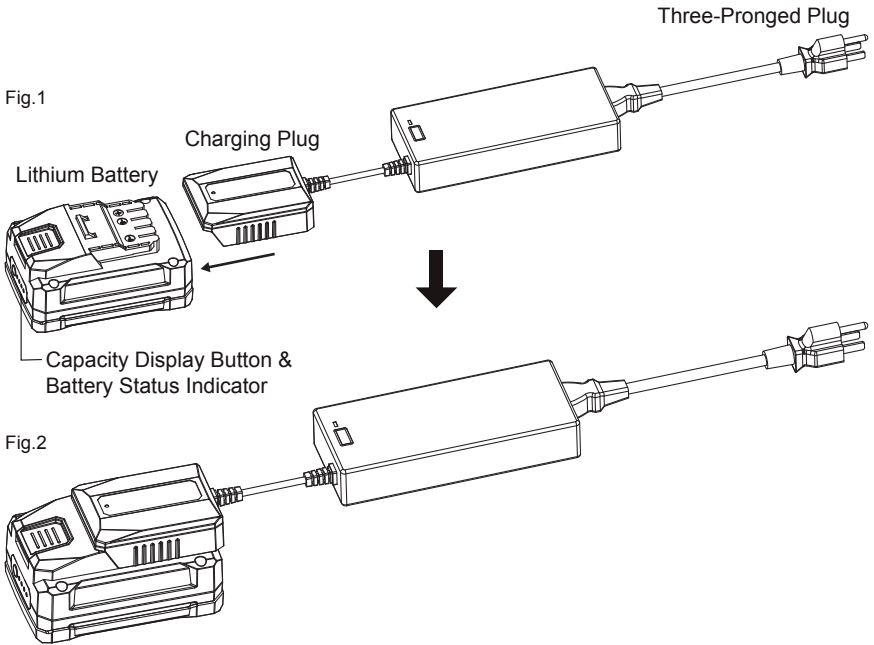


READY FOR OPERATION

To Charge the Battery for First Use

1. Connect the charger to standard 110 - 240 volt outlet; a red light should appear on the charger. NOTE: Always connect charger to standard 110 - 240 volt outlet before connecting battery.
2. Fully insert the charging plug into the battery card slot until you hear a click or see the battery button toggle back to a flat position. (See Fig. 1 & Fig. 2)
3. Charge the battery until the light on the charger turns stable green. (Depending on the battery capacity, the charging time usually takes 2 to 4 hours)
4. Press the battery button, pull out the charging plug, remove the three-pronged plug from the outlet, and then disconnect the battery from charger.
5. Press the battery capacity display button, check the battery capacity through LED light. NOTE: Do not leave the battery on the charger after the charge is completed. Unplug the charger from the outlet, and then remove the battery.

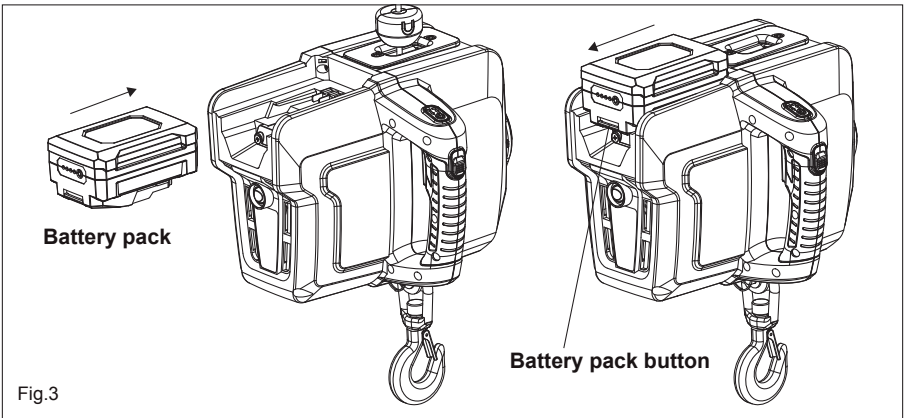
IMPORTANT
BATTERY MUST BE FULLY CHARGED BEFORE FIRST USE.




OPERATION

Horizontal traction:

1. Completely insert the battery into the power head along the card slot until the battery button bounces up. To remove the battery, press the battery button, grab other sides of battery with other four fingers, and then pull the battery out.(Fig.3)



2. Fixed the hook, turn the clutch knob to the position of unlock symbol , pull out the traction hook manually, the horizontal distance of the tracted object to be less than 5 meters. When the warning color on the rope is on, stop pulling out, and firmly connect the tracted object. (Fig.4)

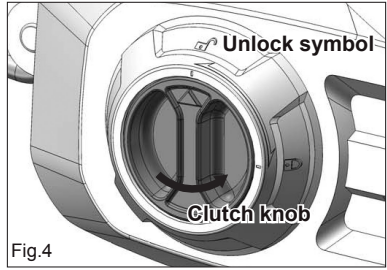
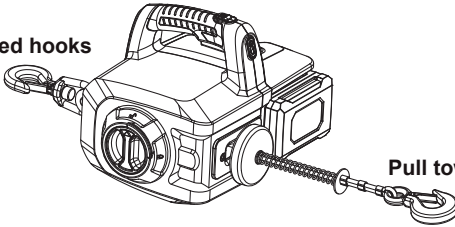




Fig.4

Fixed hooks



Pull towards the haulage

3. Turn the knob to the lock symbol  position (Fig. 5) and press the power switch (Fig. 6). Press the steering switch  to select the winding, make the indicator light up under the rope entry, push the safety switch the end, and then press the trigger to start the traction tool (Fig. 7). Noted that the maximum pulling force provided by the traction tool is 1000 pounds (454 kilograms), and the horizontal traction distance is less than 5 meters. When the pull force exceeds 1000 pounds (454 kilograms), the traction tool will be protected by the controller shutdown. At this time, reduce the loading weight and the traction tool can be restarted after power failure.

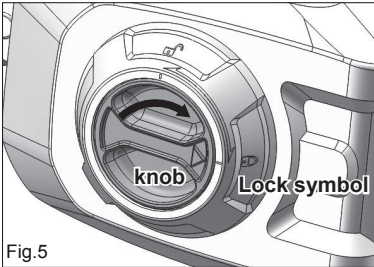


Fig.5

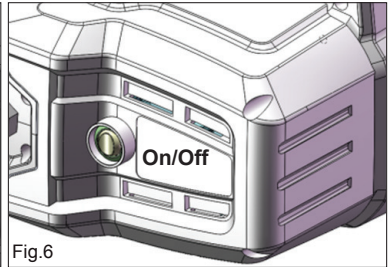


Fig.6

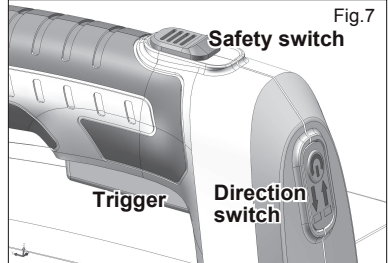
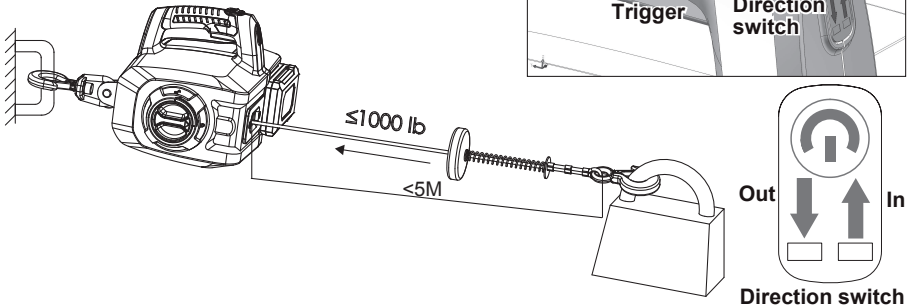
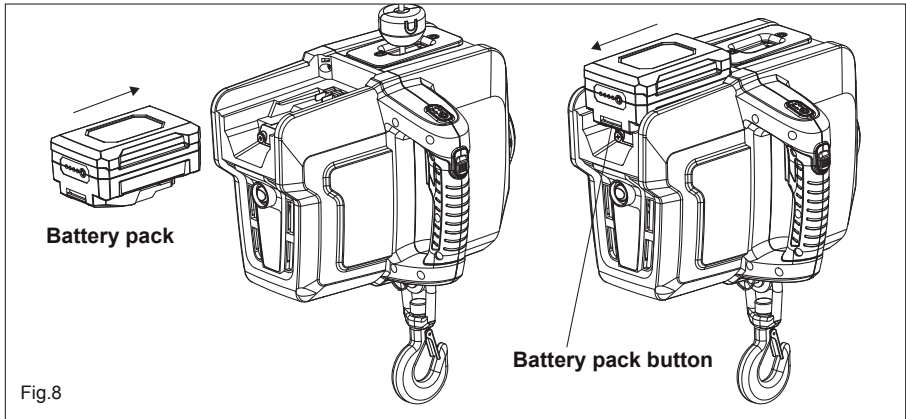


Fig.7



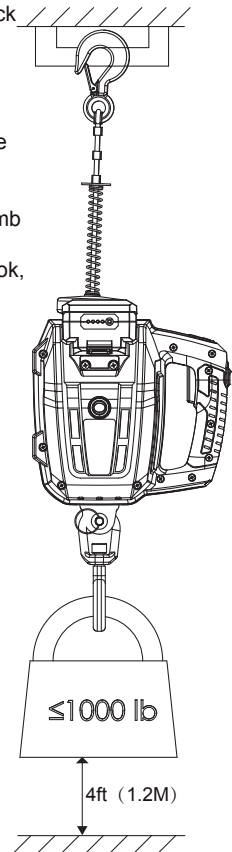
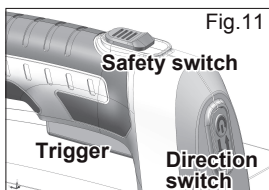
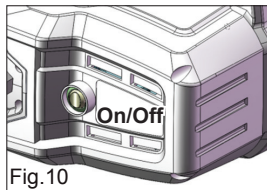
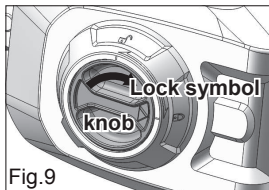
Vertical traction:

1. Completely insert the battery into the power head along the card slot until the battery button bounces up. To remove the battery, press the battery button with the thumb, grab other sides of battery with other four fingers, and then pull the battery out. (Fig.8)



2. Fix the hook at the end of the rope, turn the knob indicating to the lock symbol position (Fig.9) all the time, and turn on the power supply (Fig. 10) by pressing a power switch. Press the steering switch to select the winding, make the indicator lighting under the arrow of the exit rope, push the safety switch forward to the bottom to keep, then press the start button, the traction tool and the hook begin to fall. The tool end hook is lowered to the tracted object, and the tracted object is firmly connected. Then press the steering switch to light up the upward arrow indicator, push the safety switch forward with one thumb to the end, press the trigger to move the tractor upward (Fig. 12).

CAUTION that the vertical traction must be fixed by the rope end hook, and the operator must move the traction tool and the tractor up and down at the same time, while ensuring that the height of the tractor off the ground should not exceed 1.2 meters. When the pulling force exceeds 1000 pounds (454 kilograms), the traction tool will be protected by the controller downtime. At this time, the load will be reduced and the traction tool can resume work by restarting after power failure.



Battery Charging and Monitoring

1. Battery must be fully charged before first use.
2. Plug the charger into a 110-240AC outlet.
3. Always charge the battery at room temperature. If the battery is used in a cold environment, allow it to warm up for at least an hour before charging. Cold batteries will not be charged completely and battery components may be damaged.
4. Only charge battery in well ventilated area away from flammable materials such as cloth or carpeting.
5. During the charging phase, the light on the charger is red. When the battery is completely charged, the light will turn to green.
6. To disconnect charger, remove the three-pronged plug from outlet, then disconnect the charger from the battery.
7. DO NOT leave the charger being connected to the battery for more than 24 hours.
8. The battery status indicator is mounted on the top of the battery to allow you to observe the level of the battery power while in use. When all the 3 green lights and 1 red light are lit, it means the power is sufficient. When only the red light is lit, it means it needs to be charged immediately. To check the charge level, simply press the indicator button. The lights on the status indicator show the charge level of the battery.
9. When battery power becomes insufficient to drill through ice, turn off the power switch, disconnect the battery from power head, and re-charge the battery. Do not further discharge the battery beyond the point it cannot power the auger through the ice. Completely draining the battery may damage the battery components and increase the likelihood of battery malfunction, battery fire, or even explosion.
10. If battery becomes warm or hot during charging procedure, disconnect it from charger. Allow battery to return to room temperature, and attempt to charge again. If this persists a second time, disconnect battery from charger and contact customer service

Notes:

The traction tool has power switch and steering switch trigger controller control.

The steering switch provides control of the forward and reverse rotation of the winding.

Maintaining the tension of the rope when going up or down, need to winding in order, there by damaging the rope and traction tools. When you see the red paint on the wire rope or the black sheath on the polyethylene rope, the warning rope is close to the critical position. Do not pull the rope further in the original direction. Otherwise, the rope will be wrapped around the drum in the wrong direction, which may damage the rope and the guide rail device. Choose the direction switch to make sure that the arrow above the light is always aligned with the actual direction of the incoming and outgoing rope.

Overload protection

Exceeding traction load will lead to controller protection, thus interrupting the power supply of the motor. This prevents overheating and potential motor damage. When load-exceeding controller trips, do not attempt to impose the same load. The weight of the load should be reduced and the traction tool can be restarted after power failure.

MAINTENANCE

Please check whether the wire rope and hook have signs of wear or damage before and after each operation. Wear and damaged parts must be replaced. Do not attempt to pulling out or repair damaged ropes.

Keep wire ropes and hooks free from contamination and use clean towels to remove dirt and debris. Usage of grease on wire ropes and hooks can prevent corrosion. Always keep the electrical terminals on the battery pack clean and make sure that the battery is not broken or damaged.

If there are twists, incisions, worn parts and broken strands in the traction rope, please stop using them.

TROUBLE SHOOTING

Problem	Possible Cause	Solution
The no-load reactions for the pulling tool.	1. Power supply is not connected.	1. Check battery whether there is electricity. 2. Whether the power switch is on or not. 3. The downtime is more than 10 minutes and need to be restarted.
Motor idle and winding does not rotate.	1. Whether the clutch knob is in the lock position.	1. Turn the clutch knob to the lock position.
Stop working.	1. Power shortage for the battery pack. 2. The tractor exceeds the upper limit of the pull force.	1. Ensure the full electricity. 2. Reduce the weight of the tractor and restart it.
The start button cannot be pushed down.	1. The safety slide button is not pushed in place.	1. Push the safety slide button forward to the bottom before pressing the start button.
Rope winding disordered.	1. Not winding in sequence.	1. Pull all the ropes out and winding in sequence.



Intradin (Shanghai) Machinery Co., Ltd.
OPE@intradinchina.com
www.intradin.com