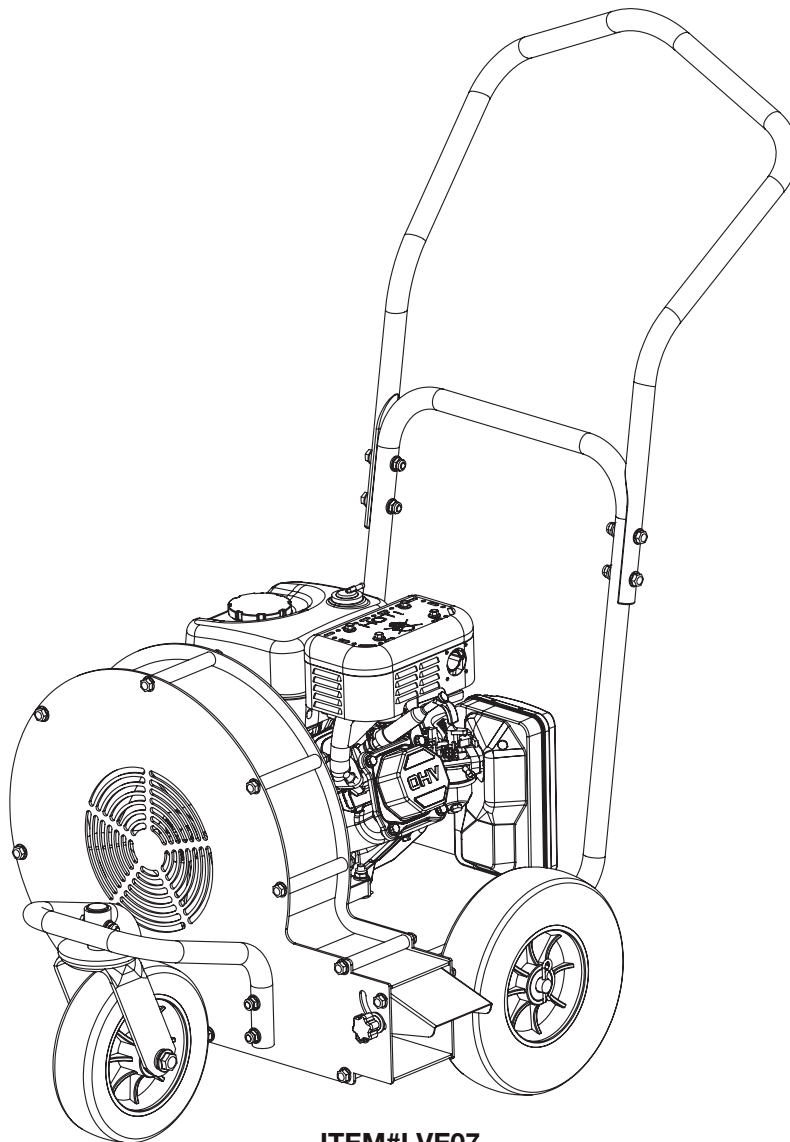




# LEAF BLOWER

## Instruction Manual

---



ITEM#LVE07



**WARNING:**

Read carefully and understand all **INSTRUCTIONS** before operating. Failure to follow the safety rules and other basic safety precautions may result in serious personal injury. Save these instructions in a safe place and on hand so that they can be read when required. Keep these instructions to assist in future servicing.

---



## WARNING SYMBOL



**WARNING:** This is the warning symbol to get your high attention for the instruction notice, which should be followed to avoid any potential serious personal injury. Anyone to use this equipment should read all the instructions of this manual. Keep this instruction manual for future reference.

Do not allow children to operate this leaf blower. Keep small children away from the area while leaf blower is in use. Do not allow adults to operate the leaf blower without proper instruction.

## WARNING SYMBOLS AND DEFINITIONS

|  |                  |   |
|--|------------------|---|
|  | <b>DANGER</b>    | DANGER INDICATES A SERIOUS INJURY OR FATALITY WILL RESULT IF THE SAFETY INSTRUCTIONS THAT FOLLOW THIS SIGNAL WORD ARE NOT OBEYED. |
|  | <b>WARNING</b>   | WARNING INDICATES A HAZARD WHICH, IF NOT AVOIDED, COULD RESULT IN DEATH OR SERIOUS INJURY AND/OR PROPERTY DAMAGE.                 |
|  | <b>CAUTION</b>   | CAUTION INDICATES YOU CAN OR YOUR EQUIPMENT CAN BE HURT IF THE SAFETY INSTRUCTIONS THAT FOLLOW THIS SIGNAL WORD ARE NOT OBEYED.   |
|  | <b>IMPORTANT</b> | IMPORTANT INDICATES HELPFUL INFORMATION FOR PROPER ASSEMBLY, OPERATION, OR MAINTENANCE OF YOUR EQUIPMENT.                         |

### Intended Use

This unit is intended for vacuuming leaves, clippings and other similar sized organic material from the ground into a truck or trailer. Large sized or long stringy material will tend to clog.

Vacuuming sand, rocks, and hard litter will shorten the life of this machine and may damage the machine or parts of it.



### WARNING

1. You must read, understand and comply with all safety and operating instructions in this manual before attempting to setup and operate your leaf blower.
2. Failure to comply with all safety and operating instructions can result in loss of machine control, serious personal injury to you and/or bystanders, and risk of equipment and property damage. The triangle in the text signifies important cautions or warnings which must be followed.



### WARNING

1. Engine exhaust, wood dust, and gasoline vapors from this product contains chemicals known to the State of California
2. To cause cancer, birth defects, or other reproductive harm.

# INDEX

Specifications ----- 1

Parts Drawing ----- 1

Safety labels ----- 1

Operating Safety In General ----- 2

Maintenance Safety In General ----- 2

Engine Specific Safety ----- 3

Assembling ----- 4

Operation Check List ----- 4-6

Storage ----- 6

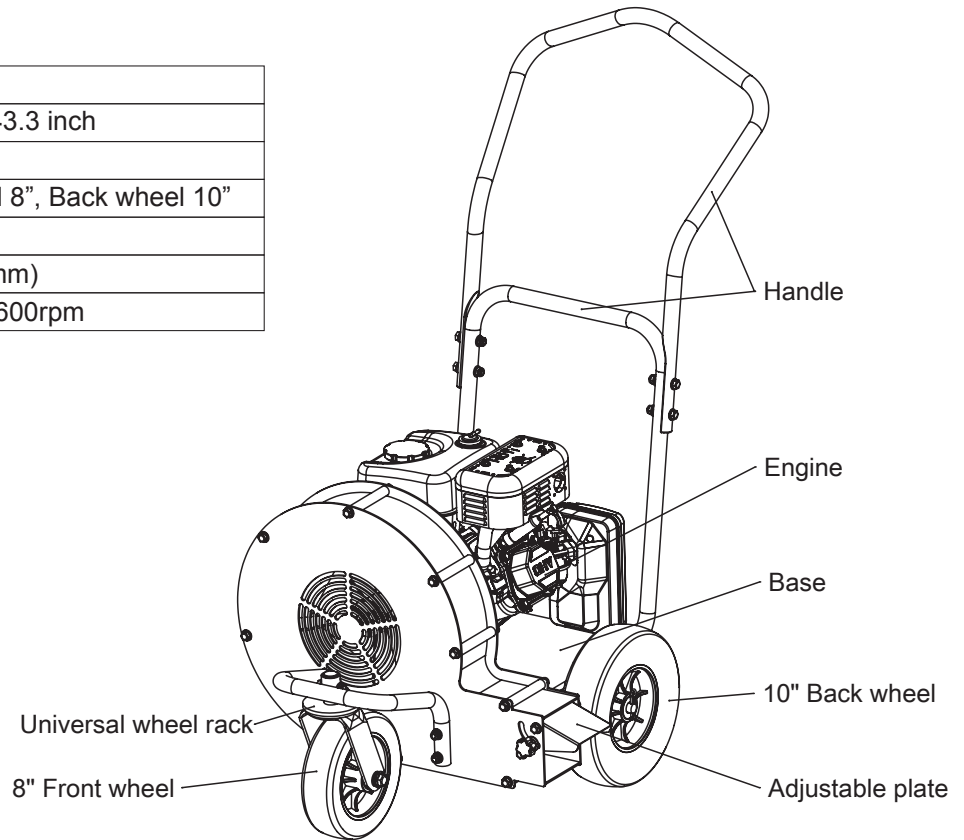
Troubleshooting Chart ----- 6

Exploded And Parts List ----- 7

## SPECIFICATION

|                |                                |
|----------------|--------------------------------|
| Item No.       | LVE07                          |
| Size (L*W*H)   | 40.2*22.9*43.3 inch            |
| Weight         | 51KGS                          |
| Wheel Size     | Front wheel 8", Back wheel 10" |
| Wheel Material | Rubber                         |
| Impeller Size  | 13.5" (340mm)                  |
| Noise          | 95.9db @3600rpm                |

## PARTS DRAWING



## SAFETY LABELS

**⚠ DANGER**

**Amputation Hazard**  
High speed rotation impeller!  
To avoid sereious injury from the running machine, please keep hands out of discharge area when it's working.

**LandWORKS™**

**LEAF BLOWER**  
Item No.: LVE07

---

Engine Power **7HP**      Impeller **13.5" (340mm)**

Series No.:

**⚠ WARNING**

**Discharge Objects Hazard**  
To avoid the serious personal injury.  
**DON'T** look straight and wear eye protector.  
**DON'T** put your hands and feet close during operating.

**⚠ WARNING**

Read carefully and understand all **INSTRUCTIONS** before operating. Failure to follow the safety rules and other basic safety precautions may result in serious personal injury.

**⚠ WARNING**

**Engine is shipped from factory without oil. You must add engine oil before starting engine.**

## **OPERATING SAFETY IN GENERAL**

1. Be very careful when loading or unloading the leaf blower.
2. Slow down and use caution when making turns and crossing roads and sidewalks.
3. Do not run the engine in an enclosed area where dangerous carbon monoxide fumes can collect.
4. Always maintain secure base and solid balance while starting or operating the machine. Never lean directly over the machine. Machine should be installed completely before operating, ensure the adjustable plate and wheel are installed well per instruction. Keep a safe distance between two or more operators when working together simultaneously.
5. Be sure the area is clear of other people before operating. Stop the unit if anyone enters the area.
6. Do not look into the Air Outlet when the machine is running.
7. Operate the machine only in daylight or good artificial light.
8. Do not operate the unit while under the influence of alcohol or drugs.
9. Always wear eye and hearing protection when operating this unit.
10. Keep in mind the operator is responsible for accidents occurring to other people or property.
11. Never operate the machine without proper guards, plates, or other safety protective devices in place.
12. Thoroughly inspect where equipment is to be used and remove all foreign objects.

### **Starting**

1. Start only according to instructions in this manual or on the machine.
2. When starting the engine, make sure hands and feet are away from the intake or discharge of blower.
3. Do not change engine governor settings or overspeed the engine. Operating the engine at excessive speed can increase the hazard of personal injury.

### **Interrupting operation**

1. Never attempt to reposition or machine while it is running. Doing so could cause the machine to tip over, and cause unexpected injury.
2. Never leave the machine running unattended.
3. Please park the equipment on the flat ground and turn off the engine.
4. Never continue to operate the machine if it starts making unusual noise or vibration. Shut the engine off immediately, allow the impeller to stop, disconnect the spark plug wire and secure the wire away from the spark plug. Inspect the unit for any signs of damage or foreign material
5. When equipment is not used, always turn off the engine, wait for the impeller to come to complete stop, and disconnect the spark plug before leaving the area. Always move the unit to a safe storage area when not in use.

## **MAINTENANCE SAFETY IN GENERAL**

1. Only allow professional and technical personnel to repair the equipment.
2. Never attempt to perform any maintenance, repairs, or attachment of accessories while the unit is running. Always shut the engine off, allow the impeller to come to complete stop, and remove the spark plug wire from the spark plug before removing excess materials.
3. Always make sure that the intake and discharge are empty before starting the unit after it has spark plug been idle. Attempting to start the unit with material in these areas could cause the engine starting cord to stop
4. Use only attachments and accessories approved of by the manufacturer of the machine.
5. Never attempt to make any adjustments while the engine is running.
6. After striking a foreign object, stop the engine, remove spark plug wire, and wait for all moving parts to come to a complete stop. Thoroughly inspect the machine for any damage, repair the damage before restarting and operating the machine.

### **Rotating Impeller**

1. Don't attempt to remove materials from intake or discharge when unit is running or impeller is rotating.
2. Fan coasts after the engine is turned off.
3. Only replace impeller. Never straighten or weld them.
4. Keep other persons away from impeller.
5. Caution should be used when clearing debris from inside the housing. Gloves should be worn as sharp edges on.

## ENGINE SPECIFIC SAFETY

Before cleaning, repairing, or inspecting, shut off the engine and make certain that all moving parts have come to a complete stop. Disconnect the spark plug wire and secure the wire away from the spark plug to prevent accidental starting.

### Handle fuel with care; it is highly flammable.

1. Use an approved fuel container.
2. Never add fuel to a running engine or hot engine.
3. Fill fuel tank outdoors with extreme care. Never fill fuel tank indoors.
4. Before restarting the engine, please clean up spilled fuel before restarting.

### Gasoline Fires and Handling Fuel Safely

Use extra care in handling gasoline and other fuels. They are flammable and vapors are explosive.

1. When storing extra fuel be sure that it is in an appropriate container and away from any fire hazards.
2. Prevent fire and explosion caused by static electric discharge. Use only nonmetal, portable fuel containers.
3. If necessary, the fuel in the engine tank should be discharged outdoors. The discharged fuel should be handled carefully and stored in professional non-metallic fuel containers. Please store the fuel tank in the area with good ventilation conditions. Do not store the fuel tank indoors.
4. Never remove the fuel cap or add fuel with the engine running. Stop engine and allow to cool before filling.
5. Do not smoke while refueling or operating engine.
6. Never drain fuel from the engine in an enclosed area.
7. Always wipe up excess (spilled) fuel from engine before starting. Clean up spilled fuel immediately. If fuel is spilled, do not start the engine.
8. Test the fuel cap for proper installation before starting and using engine.
9. Never siphon fuel by mouth to drain fuel tank.
10. Always have an adult fill the fuel tank and never allow children to fill the tank
11. Never allow an adult or anyone under the influence of drugs or alcohol to fill tank
12. When storing gasoline or equipment with fuel in the tank, store away from furnaces, stoves, water heaters or other appliances that have a pilot light or other ignition source because they can ignite gasoline vapors.

### Prevention of Burns and Fires

1. Never remove the muffler guard from the engine.
2. Never touch the muffler guard because it is extremely hot and will cause severe burns.
3. Never touch parts of the engine that become hot after operation.
4. Always keep materials and debris away from muffler guard and other hot parts of the engine to avoid fires.

### Adding Fuel

To add fuel:

1. Remove the fuel cap.
2. Fill the tank. Do not overfill. Leave room in the tank for fuel expansion. Refer to your engine manual for specific fuel recommendations.
3. Install and hand tighten the fuel cap.

### Starting the Engine

1. See engine manual for starting up instructions.
2. Ensure engine is running full throttle before beginning operation.  
Notes: For some engines, there may not be throttle .

### Stopping the Engine

1. See engine manual for shut down procedure.
2. With engines equipped with an adjustable throttle, move the throttle to the SLOW position and wait for engine to be running a slow RPM. Then switch to STOP ENGINE as shown in the engine manual.  
Notes: Stopping the engine is the only way to stop the rotor from turning.

# ASSEMBLING

## Installation of Universal Wheel Frame

1. Insert the rotating shaft of the universal wheel frame (A) into the sleeve of the support frame (B).
2. Fix with M8x45 flange bolt (C) and M8 flange nut (D). (see Figure 1).

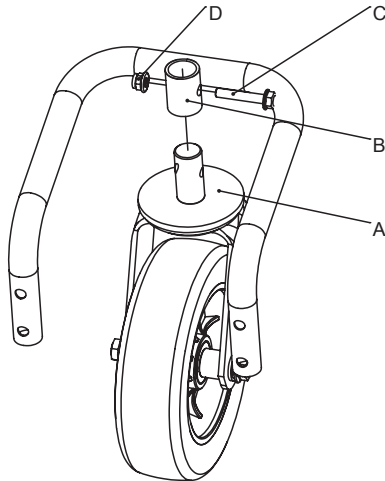


Figure 1

## Install 10 " back wheels

1. Install the 10 " back wheel (A) on both sides of the axle (B), then insert the R pin (C) into the axle (B) and fix it. (See Figure 3).

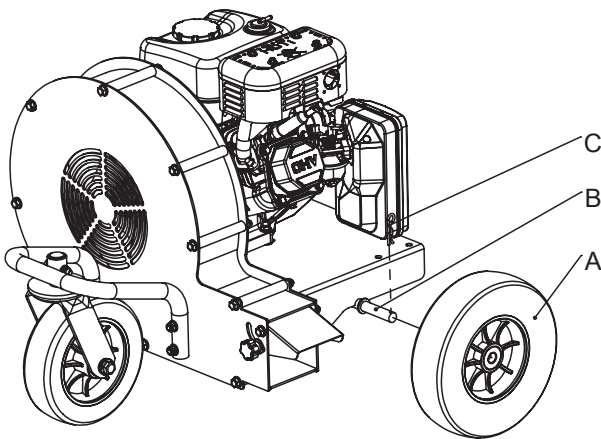


Figure 3

## Installation bracket

1. Fix bracket (B) and M8 flange face loosening nut (A) on side plate (C). (see Figure 2).

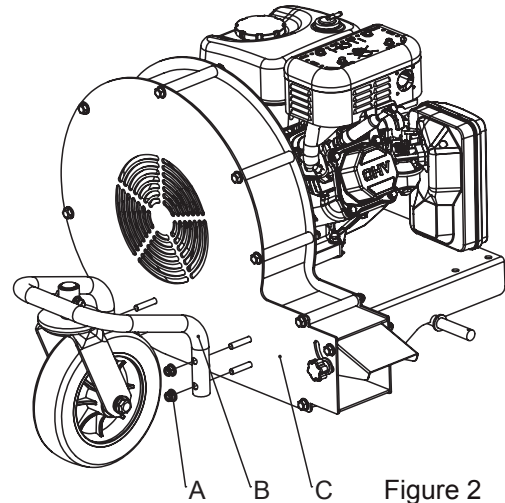


Figure 2

## Install handle bar

1. Fix the handle rod (A) and (B) with M8x45 flange bolt (D) and M8 flange loosening nut (C).
2. Fix the assembled handle rod (A & B) and base (E) with M8x45 flange bolt (D) and M8 flange loosening nut (C). (see Figure 4).

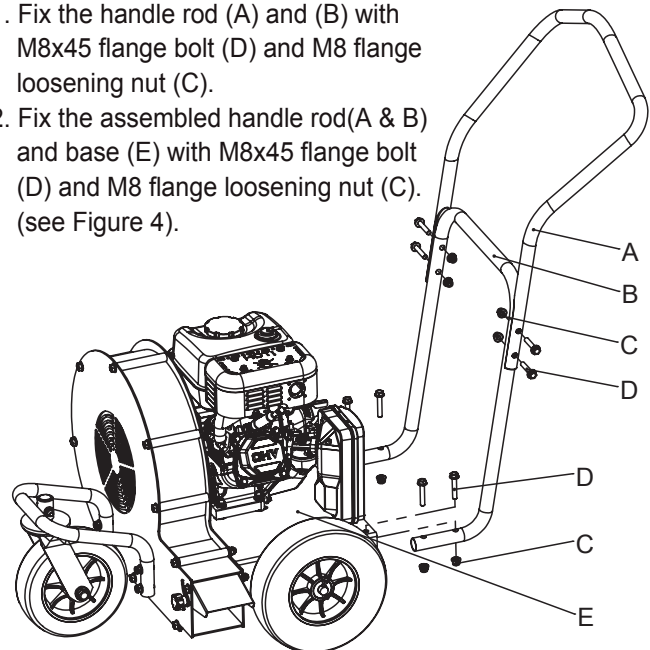


Figure 4

# OPERATION CHECK LIST

1. Review and follow all safety rules and safety decal instructions.
2. Check whether the guard, impeller and housing are damaged. Replace or repair them before operation.
3. Check to make sure all parts are properly installed and in good condition.
4. Check the cooling device on the engine, governor components and mufflers are working well. Please check the air filter and replace it if necessary.
5. When filling the fuel, please don't be too full. Please refer to the engine manual.

## **BEFORE STARTING THE ENGINE**

1. Be familiar with the controls, how each functions, and what each operates.
2. Check engine oil level. Add oil if necessary, following the engine manufacturer's recommendations. Refer to engine manual included with literature packet.
3. Check the air cleaner for dirty, loose, or damaged parts. Clean or replace if necessary.
4. Check the air intake and cooling area for dirt or debris and clean as necessary.

**Notes: Fill fuel tank with good quality, clean, unleaded regular gasoline to the level recommended by the engine manufacturer. BE SURE to install fuel cap after refueling.**

## **TO CHECK OR ADD FUEL**

1. Use a funnel to avoid spilling.
2. Do it outdoors.
3. Do not smoke.
4. Stop the engine; allow to cool.
5. Do not overfill.
6. Clean up spilled fuel.

## **STARTING THE ENGINE**

1. Turn the fuel on and move the throttle to the half open position.
2. Set the engine switch to the ON or RUN position.
3. Open the fuel valve.
4. Move the choke to the ON position for cold starts. For warm starts, attempt to start without the choke first to avoid flooding.
4. Pull the recoil starter handle firmly to start the engine.
5. When the engine starts, gradually back off the choke until the engine runs with no choke.

## **STOPPING THE ENGINE**

When operation is complete or the unit needs to be checked or a clog needs to be cleared:

1. Move the throttle to SLOW.
2. Set the engine switch to the OFF position.
3. Close fuel valve.

**Note: Impeller will continue to rotate for several seconds after engine is stopped.**

## **EXCESSIVE VIBRATION**

Shut off the engine immediately if abnormal/excessive vibration occurs. Remove spark plug wire. Find the cause of vibration and repair it.

1. Damaged impeller
2. Loose impeller bolt
3. Loose impeller key
4. Lodged objects

## **Daily maintenance**

1. Check all wearing parts, replace worn parts or repair them.
2. Tighten loose fasteners.

## **ENGINE OIL**

1. Check the oil level daily.
2. See the engine manual for oil specifications and checking procedure.

## **ENGINE AIR CLEANER**

1. Check and clean according to the engine manuals.
2. It is recommended daily inspection and cleaning due to the extreme environment.

## CLEANING

1. Keep the area around the muffler and engine recoil cover cooling air intake free of debris, accumulate to prevent fires and keep the engine from overheating. These areas need to be monitored.

## STORAGE

1. Stop the engine and allow it to cool sufficiently before storage.
2. Discharge the fuel from the tank only outdoors.
3. Store fuel in approved non-metallic containers in a cool, dry place.
4. Place storage equipment and fuel containers in areas that children cannot touch.
5. Make sure that there are no flammable objects in the container area where the fuel is discharged in order to reduce fire hazards.  
To prevent possible explosion or ignition of vaporized fuel, do not store equipment with fuel in tank or carburetor in an enclosure or enclosed area with an open flame

### Before the equipment is put into storage for any period exceeding 30 days, the following steps should be completed.

1. Discharge all the fuel from the engine fuel tank, store it in the non-metallic fuel container and place it in the area with good ventilation conditions.
2. Start the engine and run until all the fuel is used from the carburetor float bowl and the engine stops.
3. Store the unit and all of its components in a clean, dry, well ventilated, non-child accessible, sheltered area that is out of sun light and high ambient temperatures.

### To put the equipment into service after an extended period of storage.

1. Check for loose parts and tighten if necessary.
2. Fill the fuel tank and then check the engine oil level. Top off if necessary. See engine manual for details.
3. Start the engine and check for fuel leaks. Repair any leaks before operating the unit.

## TROUBLESHOOTING CHART

1. While normal care and regular maintenance will extend the life of your equipment.
2. The troubleshooting guide below lists the most common problems, the causes, and remedies.



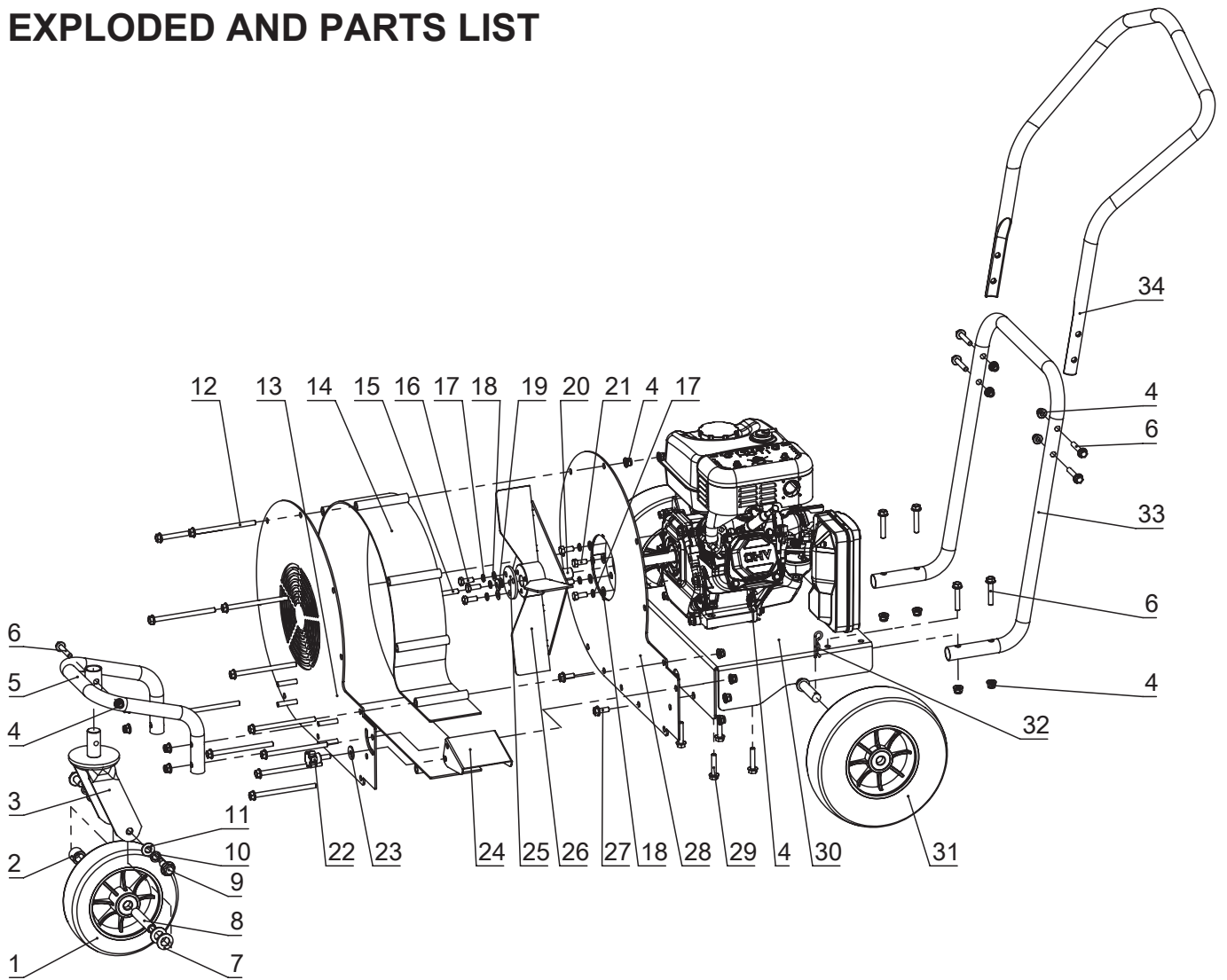
### WARNING

1. In order to avoid serious injury, the equipment can be maintained only after the engine stops running.
2. Always disconnect the spark plug to prevent the engine from accidentally starting.

| Problem(s)                                    | Possible Cause  | Corrective Action  |
|---|---|--|
| Engine won't start.                           | <ol style="list-style-type: none"> <li>1. No fuel.</li> <li>2. Choke not in START position.</li> <li>3. Low quality or deteriorated, old gasoline.</li> <li>4. Dirty fuel passageways.</li> <li>5. Spark plug cap not connected securely.</li> <li>6. Spark plug fouled.</li> <li>7. Low engine oil.</li> </ol> | <ol style="list-style-type: none"> <li>1. Add fuel.</li> <li>2. Turn choke to START position.</li> <li>3. Use fresh unleaded gasoline.</li> <li>4. Clean out passageways using fuel additive. Heavy deposits may require further cleaning.</li> <li>5. Connect spark plug cap properly.</li> <li>6. Remove spark plug. Clean/replace as recommended in engine manual.</li> <li>7. Add engine oil to proper level.</li> </ol> |
| Engine stops suddenly.                        | <ol style="list-style-type: none"> <li>1. Fuel tank empty or full of impure or low quality gasoline.</li> <li>2. Low oil shutdown.</li> <li>3. Disconnected or improperly connected sparkplug cap.</li> </ol>   | <ol style="list-style-type: none"> <li>1. Add fuel tank with fresh unleaded gasoline.</li> <li>2. Fill engine oil to proper level.</li> <li>3. Secure spark plug cap.</li> </ol>   |
| The engine runs but the outlet does not vent. | <ol style="list-style-type: none"> <li>1. Discharge chute clogged.</li> <li>2. Engine not running at full speed.</li> </ol>   | <ol style="list-style-type: none"> <li>1. Clean out debris.</li> <li>2. Set throttle control to FAST if equipped.</li> </ol>   |
| Abnormal vibration of equipment.              | <ol style="list-style-type: none"> <li>1. Looseness or instability of impeller.</li> <li>2. Engine loosening.</li> </ol>  | <ol style="list-style-type: none"> <li>1. Check the impeller and replace it as needed.</li> <li>2. Check the engine and tighten the bolts.</li> </ol>  |



# EXPLODED AND PARTS LIST



| Part No. | Description                    | Q'ty | Part No. | Description                    | Q'ty |
|----------|--------------------------------|------|----------|--------------------------------|------|
| 1        | 8" Front wheel                 | 1    | 18       | Flat Washer 8                  | 7    |
| 2        | Block                          | 1    | 19       | Large washer                   | 1    |
| 3        | Universal Wheel Shaft          | 1    | 20       | Block                          | 1    |
| 4        | Flange Nut M8                  | 30   | 21       | Hexagonal bolts5/16-24UNFx0.75 | 4    |
| 5        | Support frame                  | 1    | 22       | Star grip handle               | 1    |
| 6        | Flange Bolt M8x45              | 9    | 23       | Large washer 8                 | 1    |
| 7        | Flat Washer 16                 | 2    | 24       | Baffle                         | 1    |
| 8        | Wheel Shaft                    | 1    | 25       | Block                          | 1    |
| 9        | Flange Bolt M12x25             | 2    | 26       | Impeller                       | 1    |
| 10       | Spring washer                  | 2    | 27       | Flange Bolt M8x20              | 2    |
| 11       | Flat Washer 12                 | 2    | 28       | Side panel back                | 1    |
| 12       | Flange Bolt M8x120             | 11   | 29       | Flange Bolt M8x40              | 4    |
| 13       | Side panel cover               | 1    | 30       | Base                           | 1    |
| 14       | Side panel                     | 1    | 31       | 10" back wheel                 | 2    |
| 15       | Hexagonal bolts5/16-24UNFx1.75 | 1    | 32       | R Pin                          | 2    |
| 16       | Hexagon bolt M8x20             | 3    | 33       | Handle rod bottom              | 1    |
| 17       | Spring washer 8                | 7    | 34       | Handle rod top                 | 1    |





