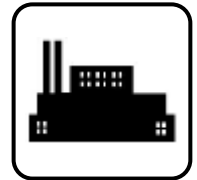


Operation

Industrial Generator Set



Models:

10-1000 kW

Controller:

APM402/Decision-Maker® 3000

KOHLER®

TP 6694 9/20m

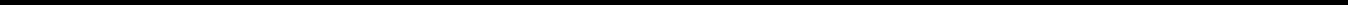
⚠ WARNING: This product can expose you to chemicals, including carbon monoxide and benzene, which are known to the State of California to cause cancer and birth defects or other reproductive harm. For more information go to www.P65warnings.ca.gov

⚠ WARNING: Breathing diesel engine exhaust exposes you to chemicals known to the State of California to cause cancer and birth defects or other reproductive harm.

- Always start and operate the engine in a well-ventilated area.
- If in an enclosed area, vent the exhaust to the outside.
- Do not modify or tamper with the exhaust system.
- Do not idle the engine except as necessary.

For more information go to www.P65warnings.ca.gov/diesel

Product Identification Information



Product identification numbers determine service parts. Record the product identification numbers in the spaces below immediately after unpacking the products so that the numbers are readily available for future reference. Record field-installed kit numbers after installing the kits.

Generator Set Identification Numbers

Record the product identification numbers from the engine nameplate(s).

Model Designation _____

Specification Number _____

Serial Number: _____

Controller Identification

Record the controller description from the generator set operation manual, spec sheet, or sales invoice.

Controller Description _____

Engine Identification

Record the product identification information from the engine nameplate.

Manufacturer _____

Model Designation _____

Serial Number _____

Accessory Number	Accessory Description

Accessory Number	Accessory Description

Table of Contents

Safety Precautions and Instructions	7
Introduction	13
Service Assistance	15
Section 1. Specifications and Features	17
1.1 Introduction	17
1.2 Controller Features.....	17
1.2.1 Switches and Controls	18
1.2.2 Annunciator Lamps	19
1.2.3 Digital Display	21
1.2.4 Controller Fault Diagnostics	28
1.2.5 Digital Display Circuit Board and Connections.....	30
1.2.6 Main Logic Circuit Board	31
1.2.7 Terminal Jumper	32
1.2.8 Communication Ports.....	33
1.2.9 Fuses	33
1.3 Controller Logic Specifications	34
1.3.1 Status Event and Fault Specifications.....	35
1.3.2 Voltage Regulator and Calibration Specifications	41
1.3.3 Voltage Regulator Adjustments.....	41
Section 2. Operation	43
2.1 Prestart Checklist	43
2.2 Exercising Generator Set	44
2.3 Operations in Cold Weather Climates	44
2.4 Controller Operation	44
2.4.1 Starting.....	45
2.4.2 Stopping (User Stopping and Fault Shutdown)	46
2.4.3 Emergency Stop Switch Resetting.....	46
2.4.4 System Status Lamps	46
2.4.5 System Fault Warning Lamp with Digital Displays	46
2.4.6 System Fault Shutdown Lamp with Digital Displays	49
2.4.7 Status and Notice Digital Displays	52
2.4.8 Controller Resetting (Following System Shutdown or Warning).....	54
2.4.9 Powering up the Engine Control Module (ECM)	55
2.5 Menu Displays.....	57
2.6 Monitoring and Programming Setup.....	59
2.6.1 PC Communications	59
2.6.2 Modbus® Communications.....	60
2.7 Reviewing Menu Displays	60
2.7.1 Error Messages.....	62
2.7.2 Overview	63
2.7.3 Engine Metering.....	64
2.7.4 Generator Metering (and Calibration)	64
2.7.5 GenSet Information.....	67
2.7.6 GenSet Run Time	67
2.7.7 GenSet System.....	67
2.7.8 GenSet Calibration.....	68
2.7.9 Voltage Regulator	70
2.7.10 Digital Inputs	71

2.7.11	Digital Outputs	72
2.7.12	Analog Inputs	75
2.7.13	Battery Charger 1 and 2.....	76
2.7.14	Event Log.....	77
2.7.15	Volt Select.....	77
Section 3.	Scheduled Maintenance	79
3.1	Alternator Service.....	79
3.2	Engine Service	79
3.3	Service Schedule	80
3.4	Alternator Bearing Service	82
3.4.1	20-300 kW Models	82
3.4.2	300-1000 kW Models with 4M/5M/7M Single-Bearing Alternator	82
3.5	Diesel Fuel Systems.....	82
3.5.1	Bleeding Air from Fuel System.....	82
3.6	Gaseous Fuel Systems	83
3.6.1	Gaseous Fuel System Concept (Single Fuel)	84
3.6.2	LPG Liquid Withdrawal Fuel System Concept	84
3.6.3	Natural Gas and LPG Conversion.....	85
3.6.4	Fuel System Changeover Kits (Dual Fuel).....	85
3.6.5	Fuel Conversion Connections	86
3.7	Crankcase Ventilation (CCV) Heater Kit GM78171-KP1	101
3.8	Air Cleaner Restrictor Indicator (if equipped)	101
3.9	Cooling System	102
3.9.1	Coolant Level Check	102
3.9.2	Cooling System Component Inspection	102
3.9.3	Procedure to Drain Cooling System.....	103
3.9.4	Procedure to Flush and Clean Cooling System	103
3.9.5	Procedure to Refill Cooling System	103
3.10	Battery.....	104
3.10.1	Clean the Battery	106
3.10.2	Electrolyte Level Inspection	106
3.10.3	Specific Gravity Check.....	107
3.10.4	Charge Battery.....	108
3.11	Storage Procedure	108
3.11.1	Lubrication System	109
3.11.2	Cooling System.....	109
3.11.3	Diesel Fuel System Storage.....	109
3.11.4	Gaseous Fuel System Storage	109
3.11.5	Exterior.....	110
3.11.6	Alternator	110
3.11.7	Battery	111
Section 4.	General Troubleshooting	113
4.1	General Troubleshooting Chart	114
4.2	Controller Display and Voltage Regulation Troubleshooting Chart	119
Section 5.	Voltage Reconnection	121
5.1	Introduction	121
5.2	Voltage Reconnection Procedure.....	122
5.3	Voltage Reconnection Procedure.....	123

Section 6.	Accessories	129
6.1	Accessories and Connections	129
6.1.1	Battery Chargers.....	130
6.1.2	Battery Charger Kit with Alarm Option	130
6.1.3	Common Fault/Failure (32A) Relay.....	132
6.1.4	Four-Input/Fifteen-Output Module.....	133
6.1.5	Gas Fuel Valve Kit	137
6.1.6	Two-Input/Five-Output Module.....	138
6.1.7	Manual Key Switch	139
6.1.8	Low Fuel (Level/Pressure) Switch.....	140
6.1.9	Manual Speed Adjust (Engine RPM Menu).....	141
6.1.10	Prime Power Switch Kit.....	141
6.1.11	Remote Emergency Stop Kit.....	142
6.1.12	Remote emergency stop kit.	142
6.1.13	Lockable Emergency Stop Switch.....	142
6.1.14	Remote Reset Feature.....	144
6.1.15	Remote Serial Annunciator	145
6.1.16	Run Relay Kit.....	147
6.1.17	Shunt-Trip Line Circuit Breaker.....	148
6.2	Accessory Connections.....	149
Appendix A.	Abbreviations	155
Appendix B.	Programmer-Defined Settings	159
Appendix C.	Voltage Regulator Definitions and Adjustments	166
Appendix D.	Alternator Protection	169
Appendix E.	Controller Displays from the Engine ECM	170

Safety Precautions and Instructions

IMPORTANT SAFETY INSTRUCTIONS. Electromechanical equipment, including generator sets, transfer switches, switchgear, and accessories, can cause bodily harm and pose life-threatening danger when improperly installed, operated, or maintained. To prevent accidents be aware of potential dangers and act safely. Read and follow all safety precautions and instructions. **SAVE THESE INSTRUCTIONS.**

This manual has several types of safety precautions and instructions: Danger, Warning, Caution, and Notice.



DANGER indicates a hazardous situation which, if not avoided, will result in death or serious injury.



WARNING indicates a hazardous situation which, if not avoided, could result in death or serious injury.



CAUTION indicates a hazardous situation which, if not avoided, could result in minor or moderate injury.

NOTICE

NOTICE is used to address practices not related to physical injury.

Safety decals affixed to the equipment in prominent places alert the operator or service technician to potential hazards and explain how to act safely. The decals are shown throughout this publication to improve operator recognition. Replace missing or damaged decals.



Accidental Starting

WARNING	<p>Accidental starting. Can cause severe injury or death.</p> <p>Disconnect the battery cables before working on the generator set. Remove the negative (-) lead first when disconnecting the battery. Reconnect the negative (-) lead last when reconnecting the battery.</p>

Disabling the generator set. Accidental starting can cause severe injury or death. Before working on the generator set or equipment connected to the set, disable the generator set as follows: (1) Press the generator set off/reset button to shut down the generator set. (2) Disconnect the power to the battery charger, if equipped. (3) Remove the battery cables, negative (-) lead first. Reconnect the negative (-) lead last when reconnecting the battery. Follow these precautions to prevent the starting of the generator set by the remote start/stop switch.

Battery

WARNING	<p>Sulfuric acid in batteries. Can cause severe injury or death.</p> <p>Wear protective goggles and clothing. Battery acid may cause blindness and burn skin.</p>

 WARNING	<p>Explosion. Can cause severe injury or death. Relays in the battery charger cause arcs or sparks.</p> <p>Locate the battery in a well-ventilated area. Isolate the battery charger from explosive fumes.</p>
	



Battery electrolyte is a diluted sulfuric acid. Battery acid can cause severe injury or death. Battery acid can cause blindness and burn skin. Always wear splashproof safety goggles, rubber gloves, and boots when servicing the battery. Do not open a sealed battery or mutilate the battery case. If battery acid splashes in the eyes or on the skin, immediately flush the affected area for 15 minutes with large quantities of clean water. Seek immediate medical aid in the case of eye contact. Never add acid to a battery after placing the battery in service, as this may result in hazardous spattering of battery acid.

Battery acid cleanup. Battery acid can cause severe injury or death. Battery acid is electrically conductive and corrosive. Add 500 g (1 lb.) of bicarbonate of soda (baking soda) to a container with 4 L (1 gal.) of water and mix the neutralizing solution. Pour the neutralizing solution on the spilled battery acid and continue to add the neutralizing solution to the spilled battery acid until all evidence of a chemical reaction (foaming) has ceased. Flush the resulting liquid with water and dry the area.

Battery gases. Explosion can cause severe injury or death. Battery gases can cause an explosion. Do not smoke or permit flames or sparks to occur near a battery at any time, particularly when it is charging. Do not dispose of a battery in a fire. To prevent burns and sparks that could cause an explosion, avoid touching the battery terminals with tools or other metal objects. Remove all jewelry before servicing the equipment. Discharge static electricity from your body before touching batteries by first touching a grounded metal surface away from the battery. To avoid sparks, do not disturb the battery charger connections while the battery is charging. Always turn the battery charger off before disconnecting the battery connections. Ventilate the compartments containing batteries to prevent accumulation of explosive gases.

Battery short circuits. Explosion can cause severe injury or death. Short circuits can cause bodily injury and/or equipment damage. Disconnect the battery before generator set installation or maintenance. Remove all jewelry before servicing the equipment. Use tools with insulated handles. Remove the negative (-) lead first when disconnecting the battery. Reconnect the negative (-) lead last when reconnecting the battery. Never connect the negative (-) battery cable to the positive (+) connection terminal of the starter solenoid. Do not test the battery condition by shorting the terminals together.

Engine Backfire/Flash Fire

 WARNING	<p>Risk of fire. Can cause severe injury or death.</p> <p>Do not smoke or permit flames or sparks near fuels or the fuel system.</p>
	



Servicing the fuel system. A flash fire can cause severe injury or death. Do not smoke or permit flames or sparks near the carburetor, fuel line, fuel filter, fuel pump, or other potential sources of spilled fuels or fuel vapors. Catch fuels in an approved container when removing the fuel line or carburetor.

Servicing the air cleaner. A sudden backfire can cause severe injury or death. Do not operate the generator set with the air cleaner removed.

Combustible materials. A fire can cause severe injury or death. Generator set engine fuels and fuel vapors are flammable and explosive. Handle these materials carefully to minimize the risk of fire or explosion. Equip the compartment or nearby area with a fully charged fire extinguisher. Select a fire extinguisher rated ABC or BC for electrical fires or as recommended by the local fire code or an authorized agency. Train all personnel on fire extinguisher operation and fire prevention procedures.

Combustible materials. A fire can cause severe injury or death. If using generator heaters during storage, remove combustible materials such as covers from contact with the heater or from areas where heat could potentially cause a fire.

Exhaust System

 WARNING	Carbon monoxide. Can cause severe nausea, fainting, or death. The exhaust system must be leakproof and routinely inspected.
	




Generator set operation. Carbon monoxide can cause severe nausea, fainting, or death. Carbon monoxide is an odorless, colorless, tasteless, nonirritating gas that can cause death if inhaled for even a short time. Avoid breathing exhaust fumes when working on or near the generator set. Never operate the generator set inside a building unless the exhaust gas is piped safely outside. Never operate the generator set where exhaust gas could accumulate and seep back inside a potentially occupied building.

Carbon monoxide symptoms. Carbon monoxide can cause severe nausea, fainting, or death. Carbon monoxide is a poisonous gas present in exhaust gases. Carbon monoxide is an odorless, colorless, tasteless, nonirritating gas that can cause death if inhaled for even a short time. Carbon monoxide poisoning symptoms include but are not limited to the following:

- Light-headedness, dizziness
- Physical fatigue, weakness in joints and muscles
- Sleepiness, mental fatigue, inability to concentrate or speak clearly, blurred vision
- Stomachache, vomiting, nausea

If experiencing any of these symptoms and carbon monoxide poisoning is possible, seek fresh air immediately and remain active. Do not sit, lie down, or fall asleep. Alert others to the possibility of carbon monoxide poisoning. Seek medical attention if the condition of affected persons does not improve within minutes of breathing fresh air.

Fuel System

 WARNING	Explosive fuel vapors. Can cause severe injury or death. Use extreme care when handling, storing, and using fuels.
 	

The fuel system. Explosive fuel vapors can cause severe injury or death. Vaporized fuels are highly explosive. Use extreme care when handling and storing fuels. Store fuels in a well-ventilated area away from spark-producing equipment and out of the reach of children. Never add fuel to the tank while the engine is running because spilled fuel may ignite on contact with hot parts or from sparks. Do not smoke or permit flames or sparks to occur near sources of spilled fuel or fuel vapors. Keep the fuel lines and connections tight and in good condition. Do not replace flexible fuel lines with rigid lines. Use flexible sections to avoid fuel line breakage caused by vibration. Do not operate the generator set in the presence of fuel leaks, fuel accumulation, or sparks. Repair fuel systems before resuming generator set operation.

Explosive fuel vapors can cause severe injury or death. Take additional precautions when using the following fuels:

Propane (LPG)—Adequate ventilation is mandatory. Because propane is heavier than air, install propane gas detectors low in a room. Inspect the detectors per the manufacturer's instructions.

Natural Gas—Adequate ventilation is mandatory. Because natural gas rises, install natural gas detectors high in a room. Inspect the detectors per the manufacturer's instructions.



Fuel tanks. Explosive fuel vapors can cause severe injury or death. Gasoline and other volatile fuels stored in day tanks or subbase fuel tanks can cause an explosion. Store only diesel fuel in tanks.

Draining the fuel system. Explosive fuel vapors can cause severe injury or death. Spilled fuel can cause an explosion. Use a container to catch fuel when draining the fuel system. Wipe up spilled fuel after draining the system.

Gas fuel leaks. Explosive fuel vapors can cause severe injury or death. Fuel leakage can cause an explosion. Check the LPG vapor or natural gas fuel system for leakage by using a soap and water solution with the fuel system test pressurized to 6–8 ounces per square inch (10–14 inches water column). Do not use a soap solution containing either ammonia or chlorine because both prevent bubble formation. A successful test depends on the ability of the solution to bubble.



LPG liquid withdrawal fuel leaks. Explosive fuel vapors can cause severe injury or death. Fuel leakage can cause an explosion. Check the LPG liquid withdrawal fuel system for leakage by using a soap and water solution with the fuel system test pressurized to at least 90 psi (621 kPa). Do not use a soap solution containing either ammonia or chlorine because both prevent bubble formation. A successful test depends on the ability of the solution to bubble.




Hazardous Noise



 CAUTION	<p>Hazardous noise. Can cause hearing loss.</p> <p>Never operate the generator set without a muffler or with a faulty exhaust system.</p>
	

Engine noise. Hazardous noise can cause hearing loss. Generator sets not equipped with sound enclosures can produce noise levels greater than 105 dBA. Prolonged exposure to noise levels greater than 85 dBA can cause permanent hearing loss. Wear hearing protection when near an operating generator set.

Hazardous Voltage/Moving Parts

 DANGER	<p>Hazardous voltage. Will cause severe injury or death.</p> <p>Disconnect all power sources before opening the enclosure.</p>
	

 DANGER	<p>Hazardous voltage. Moving parts. Will cause severe injury or death.</p> <p>Operate the generator set only when all guards and electrical enclosures are in place.</p>
 	

 WARNING	<p>Hazardous voltage. Backfeed to the utility system. Can cause property damage, severe injury, or death.</p> <p>If the generator set is used for standby power, install an automatic transfer switch to prevent inadvertent interconnection of standby and normal sources of supply.</p>
	

Grounding electrical equipment. Hazardous voltage will cause severe injury or death. Electrocution is possible whenever electricity is present. Ensure you comply with all applicable codes and standards. Electrically ground the generator set, transfer switch, and related equipment and electrical circuits. Turn off the main circuit breakers of all power sources before servicing the equipment. Never contact electrical leads or appliances when standing in water or on wet ground because these conditions increase the risk of electrocution.

High voltage test. Hazardous voltage will cause severe injury or death. Follow the instructions of the test equipment manufacturer when performing high-voltage tests on the rotor or stator. An improper test procedure can damage equipment or lead to generator set failure.

Installing the battery charger. Hazardous voltage will cause severe injury or death. An ungrounded battery charger may cause electrical shock. Connect the battery charger enclosure to the ground of a permanent wiring system. As an alternative, install an equipment grounding conductor with circuit conductors and connect it to the equipment grounding terminal or the lead on the battery charger. Install the battery charger as prescribed in the equipment manual. Install the battery charger in compliance with local codes and ordinances.



Connecting the battery and the battery charger. Hazardous voltage will cause severe injury or death. Reconnect the battery correctly, positive to positive and negative to negative, to avoid electrical shock and damage to the battery charger and battery(ies). Have a qualified electrician install the battery(ies).

Short circuits. Hazardous voltage/current will cause severe injury or death. Short circuits can cause bodily injury and/or equipment damage. Do not contact electrical connections with tools or jewelry while making adjustments or repairs. Remove all jewelry before servicing the equipment.

Engine block heater. Hazardous voltage will cause severe injury or death. The engine block heater can cause electrical shock. Remove the engine block heater plug from the electrical outlet before working on the block heater electrical connections.



Electrical backfeed to the utility. Hazardous backfeed voltage can cause severe injury or death. Install a transfer switch in standby power installations to prevent the connection of standby and other sources of power. Electrical backfeed into a utility electrical system can cause severe injury or death to utility personnel working on power lines.

Testing live electrical circuits. Hazardous voltage or current will cause severe injury or death. Have trained and qualified personnel take diagnostic measurements of live circuits. Use adequately rated test equipment with electrically insulated probes and follow the instructions of the test equipment manufacturer when performing voltage tests. Observe the following precautions when performing voltage tests: (1) Remove all jewelry. (2) Stand on a dry, approved electrically insulated mat. (3) Do not touch the enclosure or components inside the enclosure. (4) Be prepared for the system to operate automatically. (600 volts and under)



 WARNING	<p>Airborne particles. Can cause severe injury or blindness.</p> <p>Wear protective goggles and clothing when using power tools, hand tools, or compressed air.</p>
	



Servicing the generator set when it is operating. Exposed moving parts will cause severe injury or death. Keep hands, feet, hair, clothing, and test leads away from the belts and pulleys when the generator set is running. Replace guards, screens, and covers before operating the generator set.

Heavy Equipment

 WARNING	<p>Unbalanced weight. Improper lifting can cause severe injury or death and equipment damage.</p> <p>Do not use lifting eyes. Lift the generator set using lifting bars inserted through the lifting holes on the skid.</p>
	

Hot Parts

 WARNING	<p>Hot coolant and steam. Can cause severe injury or death.</p> <p>Before removing the pressure cap, stop the generator set and allow it to cool. Then loosen the pressure cap to relieve pressure. Fill system before starting unit.</p>
	

 WARNING	Hot engine and exhaust system. Can cause severe injury or death. Do not work on the generator set until it cools.
	

Servicing the alternator. Hot parts can cause severe injury or death. Avoid touching the alternator field or exciter armature. When shorted, the alternator field and exciter armature become hot enough to cause severe burns.

Servicing the exhaust system. Hot parts can cause severe injury or death. Do not touch hot engine parts. The engine and exhaust system components become extremely hot during operation.

Notice

NOTICE
This generator set has been rewired from its nameplate voltage to: <div style="border: 1px solid black; height: 20px; width: 100%; margin-top: 5px;"></div>
246242

NOTICE

Voltage reconnection. Affix a notice to the generator set after reconnecting the set to a voltage different from the voltage on the nameplate. Order voltage reconnection decal 246242 from an authorized service distributor/dealer.

NOTICE

Canadian installations only. For standby service connect the output of the generator set to a suitably rated transfer switch in accordance with Canadian Electrical Code, Part 1.

This manual provides operation instructions for 10 kW and larger generator sets equipped with the following controllers:

- APM402 generator set controller
- Decision-Maker® 3000 generator set controller

Note:

In 2018, Kohler adopted a global controller naming convention. To support this, the name of the Decision-Maker® 3000 controller has transitioned to APM402. The APM402 has the same form, fit and function as the Decision-Maker® 3000 and supports the same accessories.

Wiring diagram manuals are available separately. Refer to the engine operation manual for generator set engine scheduled maintenance information.

Information in this publication represents data available at the time of print. Kohler Co. reserves the right to change this publication and the products represented without notice and without any obligation or liability whatsoever.

Read this manual and carefully follow all procedures and safety precautions to ensure proper equipment operation and to avoid bodily injury. Read and follow the Safety Precautions and Instructions section at the beginning of this manual. Keep this manual with the equipment for future reference.

The equipment service requirements are very important to safe and efficient operation. Inspect the parts often and perform required service at the prescribed intervals. Maintenance work must be performed by appropriately skilled and suitably trained maintenance personnel familiar with generator set operation and service.

Abbreviations

This publication makes use of numerous abbreviations. Typically, the word(s) are spelled out along with the abbreviation in parentheses when shown for the first time in a section. Appendix A: Abbreviations, also includes many abbreviation definitions.

SiteTech™ Software

Several instances in this manual refer to SiteTech™ software, which can be used for programming the APM402 or Decision-Maker® 3000 controller. SiteTech™ software is required for updating the controller application code (firmware), loading personality profiles, and saving or loading controller configuration files. Contact your local distributor/dealer for assistance.

Note:

The APM402 controller uses different firmware than the Decision-Maker® 3000 controller. Do not attempt to load Decision-Maker® 3000 firmware on an APM402 controller, or vice-versa.

To determine the generator set controller software version, go to the Overview menu.

List of Related Materials

Separate literature contains communication and software information not provided in this manual. Figure 1 lists the available literature part numbers.

Literature Description	Literature Part No.
APM402 Controller Spec Sheet	G6-161
Decision-Maker [®] 3000 Controller Spec Sheet	G6-100
Generator Set/Controller Wiring Diagram Manual	Multiple Part Numbers Contact your Distributor/Dealer
Modbus [®] Communications Protocol Operation Manual	TP-6113
SiteTech [™] Software Operation Manual	TP-6701
Remote Serial Annunciator (RSA III)	TT-1625
Remote Serial Annunciator (RSA II)	TT-1485
Converters, Connections, and Controller Setup for Network Communication	TT-1405

Figure 1 Related Literature

Several engine manufacturers provide engines with electronic controls. These electronic controls indicate engine fault codes in addition to the generator set controller. The engine operation and service literature provide information for identifying engine fault codes. For the latest literature part numbers, see the respective Parts Catalog.

Service Assistance

For professional advice and conscientious service, please contact your nearest Kohler distributor or dealer.

- Visit the Kohler Co. website at KOHLERPower.com.
- Look at the labels and decals on your Kohler product or review the appropriate literature or documents included with the product.
- Call toll free in the US and Canada 1-800-544-2444.
- Outside the US and Canada, call the nearest regional office.

Headquarters Europe, Middle East, Africa (EMEA)

Kohler EMEA Headquarters
Netherlands B.V.
Kristallaan 1
4761 ZC Zevenbergen
The Netherlands
Phone: (31) 168 331630
Fax: (31) 168 331631

Asia Pacific

Kohler Asia Pacific Headquarters
Singapore, Republic of Singapore
Phone: (65) 6264-6422
Fax: (65) 6264-6455

China

North China Regional Office, Beijing
Phone: (86) 10 6518 7950
(86) 10 6518 7951
(86) 10 6518 7952
Fax: (86) 10 6518 7955

East China Regional Office, Shanghai
Phone: (86) 21 6288 0500
Fax: (86) 21 6288 0550

India, Bangladesh, Sri Lanka

India Regional Office
Bangalore, India
Phone: (91) 80 3366208
(91) 80 3366231
Fax: (91) 80 3315972

Japan, Korea

North Asia Regional Office
Tokyo, Japan
Phone: (813) 3440-4515
Fax: (813) 3440-2727

Section 1. Specifications and Features

1.1 Introduction

The spec sheets for each generator set provide model-specific generator and engine information. The controller spec sheet provides specifications for this controller. Refer to the respective spec sheet for data not supplied in this manual. Refer to the generator set service manual, installation manual, engine operation manual, and engine service manual for additional specifications.

1.2 Controller Features

The controller features include the annunciator lamp, digital display and pushbutton/rotary selector dial, switches and controls, and fuses and terminal strip. The following paragraphs detail the features by general topics.

See Figure 2 for an illustration of the controller front panel.

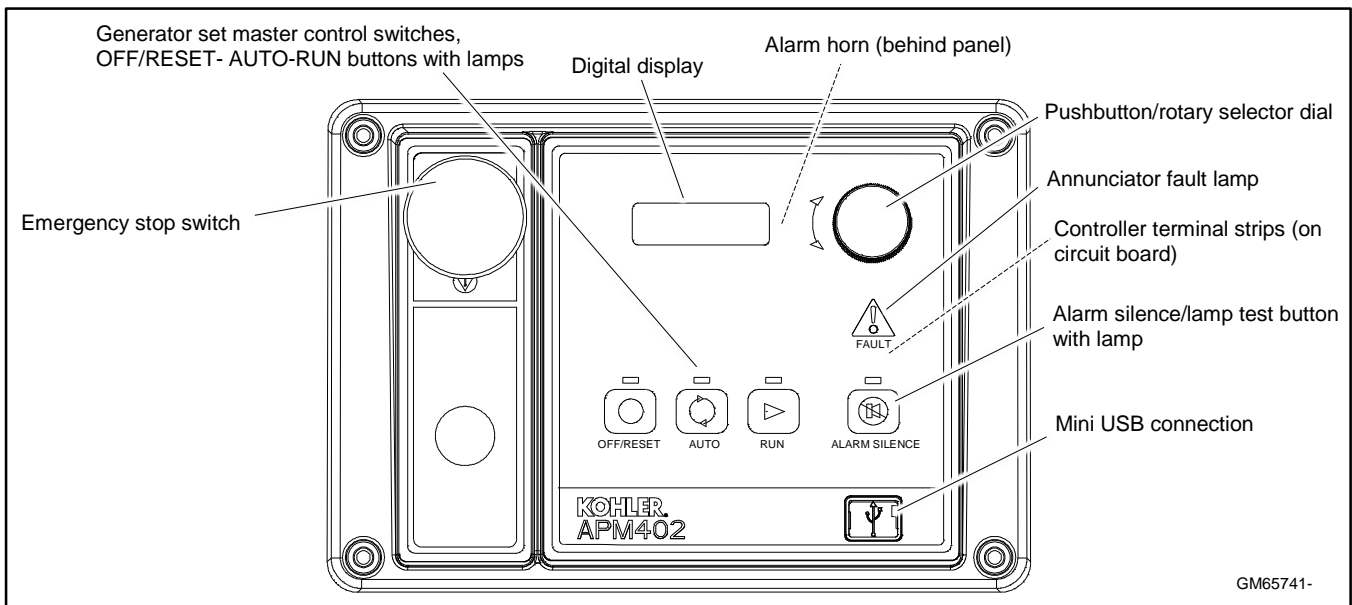


Figure 2 Controller with Digital Display and Pushbutton/Rotary Selector Dial

The controller features, accessories, and menu displays depend upon the engine electronic control module (ECM) setup and features. Controller features apply to generator set models with ECM and non-ECM engines unless otherwise noted.

Note:

Press the pushbutton/rotary selector dial to turn on the controller lights and display. The lights and display turn off 60 minutes after the last entry when in the AUTO mode.

Note:

After about 5 minutes of no user input (pushbutton/rotary selector dial or buttons), the menu is reset to the top of the main menus and auto-paging activates for the Overview submenus.

Note:

Measurements display in metric or English units. Use the Generator Set System menu to change the measurement display.

1.2.1 Switches and Controls

Note:

US/Metric Display is selectable in the Generator Set System Menu. See the section titled: Digital Display-Generator Set System Menu.

Alarm Horn. The alarm horn alerts the operator or other attendants that a shutdown or warning condition exists.

Alarm (Horn) Silence. The alarm silence/lamp test switch silences the alarm horn at the operator's discretion. Press the master control switch AUTO button *before* pressing the alarm silence/lamp test button. The alarm horn cannot be silenced unless the master control switch AUTO button is pressed.

Note:

Additional alarm silencing options are shown in the section titled: Digital Display-Generator Set System Menu.

Restore alarm horn switches at all locations including those on remote annunciator kits after correcting the fault shutdown to avoid reactivating the alarm horn. See the section titled: Controller Resetting for resetting the controller.

Emergency Stop. The operator-activated pushbutton immediately shuts down the generator set in emergency situations. Reset the emergency stop switch after shutdown by pulling the emergency stop switch outward. *Use the emergency stop switch for emergency shutdowns only.* Use the master control switch OFF/RESET button for normal shutdowns.

Generator Set Master Control Switches (OFF/RESET-AUTO-RUN). These switches reset the controller fault lamps and start/stops the generator set. Additional information is shown in the section titled: Operation.

Lamp Test. Press and hold the Alarm Silence/Lamp Test button for two seconds to test the controller indicator lamps, alarm horn, and digital display.

Manual Speed Adjust (Engine RPM). The control allows varying the engine speed for applications using closed transition ATS. The user can set the nominal running frequency slightly above or below the utility frequency to ensure that synchronization occurs. Additional information is shown in the section titled: GenSet System. Available as a factory-installed option or requires a new factory personality profile.

Pushbutton/Rotary Selector Dial. This control provides access to the menus for monitoring. Press the selector dial to activate the digital display and to select choices shown on the display. Rotate the dial to navigate through the menus.

The pushbutton/rotary selector dial has several features and functions:

- Momentarily press the dial to activate the digital display if dark.
- Rotate the dial to navigate through the main menus—turn clockwise to go forward (down) and counterclockwise to go back (up). The menus do not wrap to the beginning.
- Press the dial at a given main menu to access the submenus within the selected main menu.
- When in the submenu, rotate the dial to navigate through the submenu—clockwise to go forward (down) and counterclockwise to go back (up). The menus do not wrap to the beginning.
- Momentarily press the dial when in the submenu to make a user selection choice (if available) or to go back to the respective main menu.
- Press the dial for at least 3 seconds to return to the top of the main menus (Overview) regardless if you are in the main menus or submenus.
- After about 5 minutes of no user input (pushbutton/ rotary selector dial or buttons), the menu resets to the top of the main menus and auto-paging activates for the Overview submenus.

1.2.2 Annunciator Lamps

The controller has a single annunciator fault lamp providing visual generator set status. In addition, each button has a corresponding lamp. See Figure 3.

Lamp/Button	Lamp color
Alarm (Fault) Lamp	Yellow (Warning) or Red (Shutdown)
Off/Reset Button	Red
Auto Button	Green (System Ready)
Run Button	Yellow
Alarm Silence/Lamp Test Button	Yellow

Figure 3 Annunciator Lamps

System Status Lamps (Master Control Switches)

The green lamp illuminates on the master control switch AUTO (automatic start) button indicating the system senses no faults and the unit is ready to start by remote command.

The red lamp illuminates on the master control switch OFF/RESET button indicating the generator set is stopped.

The yellow lamp illuminates on the master control switch RUN button indicating the generator set is cranking or running from a local command.

Only one of the three master control switch lamps will illuminate at any given time.

Alarm Silence Lamp. Yellow lamp illuminates indicating the alarm horn was silenced.

(System) Fault Lamp. Yellow lamp illuminates indicating a warning condition or red lamp illuminates indicating a shutdown condition. See System Warning Fault Lamp and System Shutdown Fault Lamp following for system fault conditions.

System Warning Fault Lamp. Yellow lamp identifies an existing fault condition that does not shut down the generator set. A continuing system warning fault condition may cause a system shutdown. Correct all system warnings as soon as practical.

See the section titled: System Fault Warning Lamp with Digital Displays, for definitions of the items listed. The following conditions cause a system warning:

- AC sensing loss
- Auxiliary input (analog or digital)
- Battery charger communication loss
- Battery charger fault †*

Note:

Optional input sensors not required with charger GM87448.

- Battery charger identity conflict
- Battery charger parameter mismatch
- Battery fault
- Common warning
- Critical high fuel level (diesel-powered models only) *
- Default parameters loaded
- ECM diagnostics (multiple engine inputs)
- Fuel tank leak (diesel-powered models only) *
- Ground fault *
- High battery voltage
- High coolant temperature

- High fuel level (diesel-powered models only) *
- Input/output communication loss
- Low battery voltage
- Low coolant temperature
- Low cranking voltage
- Low engine oil level *
- Low fuel (level for diesel-powered models) *
- Low fuel (pressure for gas-powered models) *
- Low oil pressure
- Not-in-auto (master control switch)
- Speed sensor fault

* Requires optional input sensors

† Requires optional input sensors with all battery chargers except battery charger GM87448.

System Shutdown Fault Lamp. Red lamp indicates that the generator set has shut down because of a fault condition. The unit will not start without resetting the controller, see the section titled: Controller Resetting procedure.

See the section titled: System Fault Shutdown Lamp with Digital Displays, for definitions of the items listed. The following conditions cause a system shutdown:

- AC sensing loss
- Alternator protection
- Auxiliary input (analog or digital)
- Common fault
- ECM address conflict
- ECM communications loss
- ECM diagnostics (multiple engine inputs)
- ECM model mismatch
- Emergency stop
- Enclosure temperature: high shutdown (available on select Telecom units only)
- Engine over speed
- Engine under speed
- File system error (controller firmware fault)
- Fuel tank leak (diesel-powered models only)*
- High coolant temperature
- Internal failure
- kW overload
- Locked rotor (failed to crank)
- Loss of fuel
- Low coolant level*
- Low engine oil level*
- Low fuel level (diesel-powered models only) *

- Low oil pressure
- Megajector communications loss
(GM/PSI and Doosan gas-powered models only)
- Metering communication loss
- No coolant temperature signal
- No oil pressure signal
- Overcrank
- Overfrequency
- Overvoltage (each phase)
- Run relay overload
- Underfrequency
- Undervoltage (each phase)
- (Voltage) regulator communication loss
- * Requires optional input sensors

1.2.3 Digital Display

Press the pushbutton/rotary selector dial to turn on the controller lamps and display. The lamps and display turn off 60 minutes after the last entry.

Note:

The APM402 controller takes about 5-10 seconds to power on.

The generator set must be running for some displays to indicate values. If the generator set is not running some values will display zero or N/A (not available).

Some displays are engine dependent. Refer to the Appendix titled: Controller Displays from the Engine ECM.

The 12-character, 2-line backlit heated display provides generator set and engine data, system status, and fault information. See the figure titled: Controller with Digital Display and Pushbutton/Rotary Selector Dial. The digital display shows abbreviations in some instances. Refer to the section titled: Status Event and Fault Specifications for the abbreviations and their full descriptions.

Note:

US/Metric Unit Display is selectable in Generator Set System.

Note:

Display Contrast is selectable in Generator Set System. The contrast display adjustment allows user selected resolution values to improve digital display clarity.

Note:

After about 5 minutes of no user input (pushbutton/rotary selector dial or buttons), the menu resets to the top of the main menus and auto-paging activates for the Overview submenus.

The main menus are listed below. Within each main menu are multiple submenus with descriptions following.

- Overview
- Engine Metering
- Generator Metering
- GenSet Information
- GenSet Run Time
- GenSet System

- GenSet Calibration (Decision-Maker® 3000 controllers before Version 3.0.25)
- Voltage Regulation
- Digital Inputs
- Digital Outputs
- Analog Inputs
- Event Log
- Volt Select

Overview Menu

When a new shutdown or warning fault occurs, the auto-paging display feature activates.

Active **Shutdowns** display if any are present. This alerts the user to single or multiple shutdown fault conditions. See the section titled: Annunciator Lamps—System Shutdown Fault Lamp for a list of possible shutdown faults.

Active **Warnings** display if any are present. This alerts the user to single or multiple warning fault conditions. See the section titled: Annunciator Lamps—System Warning Fault Lamp for a list of possible warning faults.

Generator Set State displays the generator set status:

- Off
- Standby
- Running
- Cooldown
- Stopping

Average Volts Line-to-Line value displays. For three-phase configurations the average line-to-line voltage of L1, L2, and L3 is displayed. Single-phase configurations show the L1-L2 voltage.

Frequency (Hz) value displays for the output AC voltage.

Current value displays as the average for three-phase configurations or the current value for L1-L2 with single-phase configurations.

Average kW displays. For three-phase configurations the average line-to-line kilowatts of L1, L2, and L3 is displayed. Single-phase configurations show the L1-L2 kilowatts.

Coolant Temperature displays for the engine coolant temperature.

Oil Pressure displays the engine oil pressure.

Fuel Level % displays the fuel tank level for diesel-powered models when so equipped.

Fuel Pressure displays fuel pressure for some engines. Refer to the Appendix, Controller Displays from the Engine ECM.

Battery displays the DC voltage of the engine starting battery(ies).

CHG1 and CHG2 display battery charger voltage and current (amps) if one or two CAN-enabled 10 Amp battery chargers (GM87448 only) have been connected. Shows N/A if charger GM87448 was connected and then removed. (DEC3000 version 4.11 or higher, and APM402).

Engine Run Time displays the total run time hours.

Software Version displays in the Overview menu. Use the version number to determine if an upgrade is needed and/or when troubleshooting the controller.

Engine Metering Menu

Note:

The Engine Metering Menu may vary depending upon if the selector dial is rotated clockwise or counterclockwise.

Engine Speed (Tachometer) displays the engine speed in RPM.

Oil Pressure displays the engine oil pressure. This value also shows in the Overview Menu.

Coolant Temperature displays the engine coolant temperature. This value also shows in the Overview Menu.

Fuel Level % displays the fuel tank level for diesel-powered models if so equipped. This value also shows in the Overview Menu.

Battery displays the DC voltage of the engine starting battery(ies). This value also shows in the Overview Menu.

Fuel Pressure displays fuel pressure for some engines. Refer to the Appendix, Controller Displays from the Engine ECM. This value also shows in the Overview Menu.

Generator Metering Menu

Total Power kVA and kW displays alternator output as actual output values.

Rated Power displays alternator output as a percentage of the entered data value.

Volts displays the alternator output AC voltages. The display shows all line-to-line and line-to-neutral voltage combinations for three-phase or single-phase configurations.

Current displays the alternator output AC amps. The display shows each line (L1-L2-L3) of three-phase models or L1-L2 current for single-phase models.

Frequency (Hz) value displays for the output AC voltage. This value also shows in the Overview Menu.

Reset Calibration providing the means to reset the configuration values is available in this menu.

The calibration values are reviewable at all times and provide the calibration of the voltage and current sensing logic. Changing the system voltage or replacing the circuit board requires a calibration adjustment.

To enable calibration, start the generator set and select the *Volts L1-L2* display. Then push and hold the pushbutton/rotary selector dial until the *Calibration Enabled* popup appears. Calibration of each display is now available. The display will show the following values for three-phase generator sets. Single-phase generator sets will only display items marked (*).

- Volts L1-L2 *
- Volts L2-L3
- Volts L3-L1
- Volts L1-N *
- Volts L2-N *
- Volts L3-N
- Current L1 *
- Current L2 *
- Current L3

The user can change individual values or can select *Reset Calib?-Yes* to reset all values. The *Reset Calib?* display will only show if calibration is enabled. Refer to the requirements shown with Generator Set Calibration in the section titled: Status and Notice Digital Displays.

To disable calibration, rotate the pushbutton/rotary selector dial until the *<-Return* popup appears. Momentarily press the pushbutton/rotary selector dial. Stop the generator set if not already done.

Generator Set Information Menu

GenSet M/N displays the generator set model number.

GenSet S/N displays the generator set serial number.

Controller S/N displays the controller serial number.

Generator Set Run Time Menu

Engine Run Time displays the total run time hours. This value also shows in the Overview Menu.

Engine Loaded displays the total loaded hours.

Engine Starts displays the total number of generator set startup events.

Total Energy displays the total kW hours.

Generator Set System Menu

The values in this menu are user-entered for the generator set configuration and are NOT measured values of the generator set.

Changes to the Generator Set System menu require the use of SiteTech™ software except for Measure System and Contrast selections.

System Frequency displays the programmer-entered L1-L2-L3 output voltage frequency for three-phase or the L1-L2 output voltage frequency for single-phase.

System Phase displays the programmer-entered configuration as Single Phase, Single Phase Dog Leg, Three Phase Wye, or Three Phase Delta.

System Voltage displays the programmer-entered L1-L2-L3 output voltage for three-phase or the L1-L2 output voltage for single-phase.

Power Rating displays the programmer entered kW value for the generator set.

Amp Rating displays the programmer entered current value for the generator set.

Power Type displays the programmer entered generator set application configuration as Standby or Prime.

Battery Voltage displays the engine electrical system 12 or 24 volts.

Measurement System displays the user selected unit of measure as Metric or English.

Contrast displays user selected resolution values to improve digital display clarity.

Alarm (Horn) Silence displays the programmer selected alarm silence method as Always or Auto Only using SiteTech™ software. The Always selection allows the alarm to be silenced in any of the OFF/RESET- AUTO- RUN modes. The Auto Only selection allows silencing of the alarm only while in the Auto mode.

Note:

Press the Alarm Silence/Lamp Test button to silence the alarm horn.

Manual Speed Adjust (Engine RPM) is available as a user selectable adjustment. The user can set the nominal running frequency slightly above or below the utility frequency to ensure that synchronization occurs. Refer to the section titled: GenSet System for more information. Available as a factory-installed option or requires a new factory personality profile.

Generator Set (Reset) Calibration Menu

This menu is only available in Decision-Maker® 3000 controller firmware versions before 3.0.25. On Decision-Maker® 3000 controllers with later firmware versions, or on APM402 controllers, go to Generator Metering Menu—Reset Calibration.

The calibration values are reviewable at all times and provide the calibration of the voltage and current sensing logic. Changing the system voltage or replacing the circuit board requires a calibration adjustment. In order to review the values when the generator set is NOT running, enter Yes when the *Enter Calib?* is displayed. The user can review the values but attempting to change the values will cause a *Cannot calibrate* error message.

If the unit is NOT running and No is entered when the *Enter Calib?* is shown, the display returns to the Generator Set Calibration main menu and entry to the Generator Set Calibration menu is denied.

If the unit is running and Yes is entered when the *Enter Calib?* is shown, the display will show the following values for three-phase generator sets. Single-phase generator sets will only display items marked (*).

- Volts L1-L2 *
- Volts L2-L3
- Volts L3-L1
- Volts L1-N *
- Volts L2-N *
- Volts L3-N
- Current L1 *
- Current L2 *
- Current L3

The user can change individual values or can enter Yes when *Reset all Calib?* is displayed. At the end of the Generator Set Calibration menu, *Exit calibration* is shown. Press the pushbutton/rotary selector dial to exit this menu. Refer to the requirements shown with Generator Set Calibration in the section titled: Status and Notice Digital Displays.

Voltage Regulator Menu

Decision-Maker® 3000 Controller firmware before 3.0.25:

The voltage regulator value is reviewable at all times. In order to review the value when the generator set is NOT running, enter Yes when the *Enter volt reg?* is displayed. The user can review the value but attempting to change the value will cause a *Cannot edit when stopped* error message.

If the unit is NOT running and No is entered when the *Enter volt reg?* is shown, the display returns to the Voltage Regulator main menu and entry to the Voltage Regulator menu is denied.

If the unit is running and Yes is entered when the *Enter volt reg?* is shown, the display will show the value.

The user can change the value at this time. At the end of the Voltage Regulator menu, *Exit voltage reg* is shown - - press the pushbutton/rotary selector dial to exit this menu.

Decision-Maker® 3000 Controller firmware 3.0.25 and higher, or APM402 Controller:

The voltage regulator value is reviewable at all times and provides the ability to fine adjust voltage. Changing the system voltage or replacing the circuit board typically requires a voltage adjustment.

To enable calibration, start the generator set and select the *VR Volt Adj* display. Then push and hold the pushbutton/rotary selector dial until the *Editing Enabled* popup appears. Editing of the voltage adjustment is now available.

The user can change the individual value or can select *Reset VR?*- Yes to reset to the default value. The *Reset VR Settings* display will only show if editing is enabled.

To disable calibration, Rotate the pushbutton/rotary selector dial until the <- *Return* popup appears. Momentarily press the pushbutton/rotary selector dial. Stop the generator set if not already done.

Digital Inputs Menu

This menu allows the user to review the settings. There are up to three digital inputs that are programmer selectable if not reserved by factory options.

The displays for digital inputs appear as shown below with Values true or false. Items shown in the digital display as True are active.

- DIn A1 (digital input A1) standard
- DIn A2 (digital input A2) standard
- DIn A3 (digital input A3) standard (see note below)
- DIn B1 (digital input B1) with I/O module board
- DIn B2 (digital input B2) with I/O module board

Changes to the Digital Inputs menu requires the use of SiteTech™ software. The digital input can either open or close the circuit to activate.

Note:

DIn A3 digital input is factory reserved for Enclosure Temperature: High Shutdown on select Telecom units.

Digital Outputs Menu

This menu allows the user to review the settings. There is one digital output standard with the controller that is programmer selectable. The one SPDT switch has 2 amps. contacts at 32 VDC or 0.5 amp. contacts at 120 VAC max.

There is an optional 2 input/5 output (I/O) module board available that can provide five digital outputs. The standard digital output on the controller is used to drive the optional I/O Module board and becomes factory reserved and no longer available as programmer selectable.

The displays for digital outputs appear as shown in the following list with Values as True or False. Items shown in the digital display as True are active.

- DOut A1 (digital output A1) standard
- DOut B1 (digital output B1) with I/O module board
- DOut B2 (digital output B2) with I/O module board
- DOut B3 (digital output B3) with I/O module board
- DOut B4 (digital output B4) with I/O module board
- DOut B5 (digital output B5) with I/O module board

Changes to the Digital Outputs menu requires the use of SiteTech™ software. The digital output can either open or close the circuit to activate.

Analog Inputs Menu

This menu allows the user to review the settings. There is one analog input that is programmer selectable if not reserved by factory options.

There is an optional 2 input/5 output (I/O) module board available that can provide two additional analog inputs.

The displays for analog inputs appear as shown below with Values of 0-5 volts.

- AIn A1 (analog input A1) standard (reserved and not user programmable)
- AIn A2 (analog input A2) standard
- AIn B1 (analog input B1) with I/O module board
- AIn B2 (analog input B2) with I/O module board

Changes to the Analog Inputs menu requires the use of SiteTech™ software.

Event Log Menu

This menu allows the user to review up to 1000 entries of system events including shutdown faults, warning faults, and status events. See the section titled: Controller Fault Diagnostics for a list of the items that appear on the Event Log.

Volt Select Menu

Note:

The generator set must be stopped before changing the voltage selection.

This menu allows the user to readily change controller voltage settings. The volt select feature is typically used in towable or temporary applications.

Note:

The volt select menu requires initial activation by SiteTech™ software. In SiteTech™ software, select True to activate the volt select menu.

Note:

The generator set output leads require voltage reconnection if the generator set does not have a voltage selector switch installed.

With the generator set stopped, go to the Volt Select menu. Then push and hold the pushbutton/rotary selector dial until the voltage selection starts to flash. Volt selection is now available. Scroll to the desired voltage and momentarily press the pushbutton/rotary selector dial to confirm the voltage selection.

The displays for *Volt Select* appear as shown in the following list.

- 120/240 V 1 Ph
- 120/208 V 3 Ph
- 139/240 V 3 Ph
- 277/480 V 3 Ph
- 120/240 V 3 Ph

1.2.4 Controller Fault Diagnostics

This table provides descriptions of the system events and their types—warning, shutdown, status, and notice.

Warnings show yellow fault lamp and signal an impending problem. **Shutdowns** show red fault lamp and stop the generator set. **Status** is an event that is not an alert but is part of the event history. **Notice** is an alert that is NOT part of the event history. System events are available as a **Relay Output** as shown.

Throughout this manual there are examples of the display text. In some cases, the message words and phrases are abbreviated or shortened to accommodate the number of characters in the 12 x 2 digital display. See the following table for a full description of the system event display messages.

System Events Display Message List

Description	Display Message	Warning Function	Shutdown Function	Status/ Notice	Relay Output
Engine Functions					
Critically high fuel level (diesel-powered models only)*	Fuel Level Critically High	X			X
ECM communications loss	ECM Comm Err Shutdwn		X		X
ECM diagnostics (multiple inputs) †	ECM xxxxxx Warning	X			X
ECM diagnostics (multiple inputs) †	ECM xxxxxx Shutdwn		X		X
ECM faults (address conflict)	ECM Addr Err Shutdwn		X		X
ECM faults (model mismatch)	ECM Mismatch Shutdwn		X		X
Engine over speed	Eng Speed High Shutdwn		X‡		X
Engine start aid active	Starting Aid Notice			N	X
Engine under speed	Eng Speed Low Shutdwn		X		X
Fuel tank leak *	Fuel Leak Warning	X			X
Fuel tank leak *	Fuel Leak Shutdwn		X		X
High battery voltage	Battery High Warning	X			X
High coolant (engine) temperature	Coolnt Temp High Warning	X			X
High coolant (engine) temperature	Coolnt Temp High Shutdwn		X‡		X
High fuel level (diesel-powered models only) *	Fuel Level High Warning	X			X
Loss of fuel	Loss of fuel		X		X
Low battery voltage	Battery Low Warning	X			X
Low coolant level *	Coolant Lvl Low Shutdwn		X		X
Low coolant temperature	Coolant Temp Low Warning	X			X
Low cranking voltage	Lo Crank Vlt Warning	X			X
Low engine oil level *	Oil Level Low Warning	X			X
Low engine oil level *	Oil Level Low Shutdwn		X		X
Low fuel level (diesel models) *	Fuel Level Low Warning	X			X
Low fuel level (diesel models) *	Fuel Level Low Shutdwn		X		X
Low fuel pressure (gas models) *	Fuel Press Low Warning	X			X
Low oil pressure	Oil Press Low Warning	X			X
Low oil pressure	Oil Press Low Shutdwn		X‡		X
No coolant temperature signal	Temp Sig Loss Shutdwn		X		X
No oil pressure signal	Press Sig Loss Shutdwn		X		X
Overcrank	Over Crank Shutdwn		X‡		X
Speed sensor fault	Spd Sens Flt Warning	X			X

Description	Display Message	Warning Function	Shutdown Function	Status/ Notice	Relay Output
General Functions					
Alarm horn silenced	(Alarm Silence LED only)				X
Alarm silence, auto only (NFPA 110) or always	AlrmSilence: Auto Only or AlrmSilence: Always			S	No
Aux. inputs 0- 5 VDC, 1 analog (2 additional inputs available with I/O module option)	Aux Input Warning	X			X
Aux. inputs 0- 5 VDC, 1 analog (2 additional inputs available with I/O module option)	Aux Input Shutdwn		X		X
Auxiliary inputs, up to 3 digital (2 additional inputs available with I/O module option)	Aux Input Warning	X			X
Auxiliary inputs, up to 3 digital (2 additional inputs available with I/O module option)	Aux Input Shutdwn		X		X
Backup parameters loaded	Backup Pars Status			S	No
Battery charger 1 communication loss	Bat1CommLoss	X			
Battery charger 2 communication loss	Bat2CommLoss	X			
Battery charger fault * (* does not apply to charger GM87448)	Batt Chg Flt	X			X
Battery charger identity conflict	BatIdErr	X			
Battery charger parameter mismatch	Param Mismatch	X			
Battery Fault	Battery Flt	X			
Chicago code active	Chicago Code Active			N	X
Common fault (includes ‡)	Common Fault Shutdwn		X	N	X
Common warning fault	Common Warng	X		N	X
Default parameters loaded	Default Pars Warning	X			X
Emergency stop	Emerg Stop Shutdwn		X‡		X
Enclosure temperature: high shutdown	Enclsr Temp: High Shutdwn		X		X
Engine cooldown (delay) active	Eng Cooldown Notice			N	X
Engine started	Engine Start Status			S	X
Engine stopped	Engine Stop Status			S	X
EPS supplying load	Emerg Pwr On Notice			N	X
File system error (controller fault)	File Error Shutdwn		X		X
Generator running	Gen Running Notice			N	X
Input/output (module option board) communication loss	OB1 Com Loss	X			X
Internal failure	Intern Error Shutdwn		X		X
Metering communication loss	MeterCommLos Shutdwn		X		X
NFPA 110 alarm active	NFPA Alarm Notice			N	X
Not in auto (master switch)	Not In Auto Warning	X			X
Remote start	Remote Start Status			S	X
System ready	System Ready Status			S	X
System timer failed	Timer Error Notice			N	X
Generator Functions					
AC sensing loss	AC Sens Loss Warning	X			X
AC sensing loss	AC Sens Loss Shutdwn		X		X
Alternator protection	Alt Protect Shutdwn		X		X
Ground fault input *	Ground Fault Warning	X			X
kW overload	Total Power High Shutdwn		X		X
Locked rotor (failed to crank)	Locked Rotor Shutdwn		X		X
Overfrequency	Freq High Shutdwn		X		X
Overvoltage (each phase)	Volts xx- xx High Shutdwn		X		X
Underfrequency	Frequency Low Shutdwn		X		X
Undervoltage (each phase)	Volts xx- xx Low Shutdwn		X		X
(Voltage) regulator communication loss	RegCommLoss Shutdwn		X		X

* Function requires optional input sensors or kits or is engine ECM dependent on some generator set models.

† ECM inputs are engine manufacturer dependent.

‡ The Common Fault Shutdown includes the items marked X‡ in the Shutdown Function column.

1.2.5 Digital Display Circuit Board and Connections

The digital display circuit board provides:

- The backlit LCD (liquid crystal display) for monitoring the generator set functions and output values
- Master control switches with status lights
- Fault lamp
- Pushbutton/rotary selector dial to navigate the generator set displays
- Alarm horn and alarm silence/lamp test switch/light
- Mini USB connector for PC setup using SiteTech™ software

See Figure 4 Digital Display Circuit Board Connectors

Figure 4 for the circuit board connections.

Circuit Board Connections

P9 Connector the 24-pin connector attaches directly to the main logic circuit board.

P10 Connector mini USB for PC upgrades located on the front panel using SiteTech™ software.

P11 Connector is a 20-pin connector (not used).

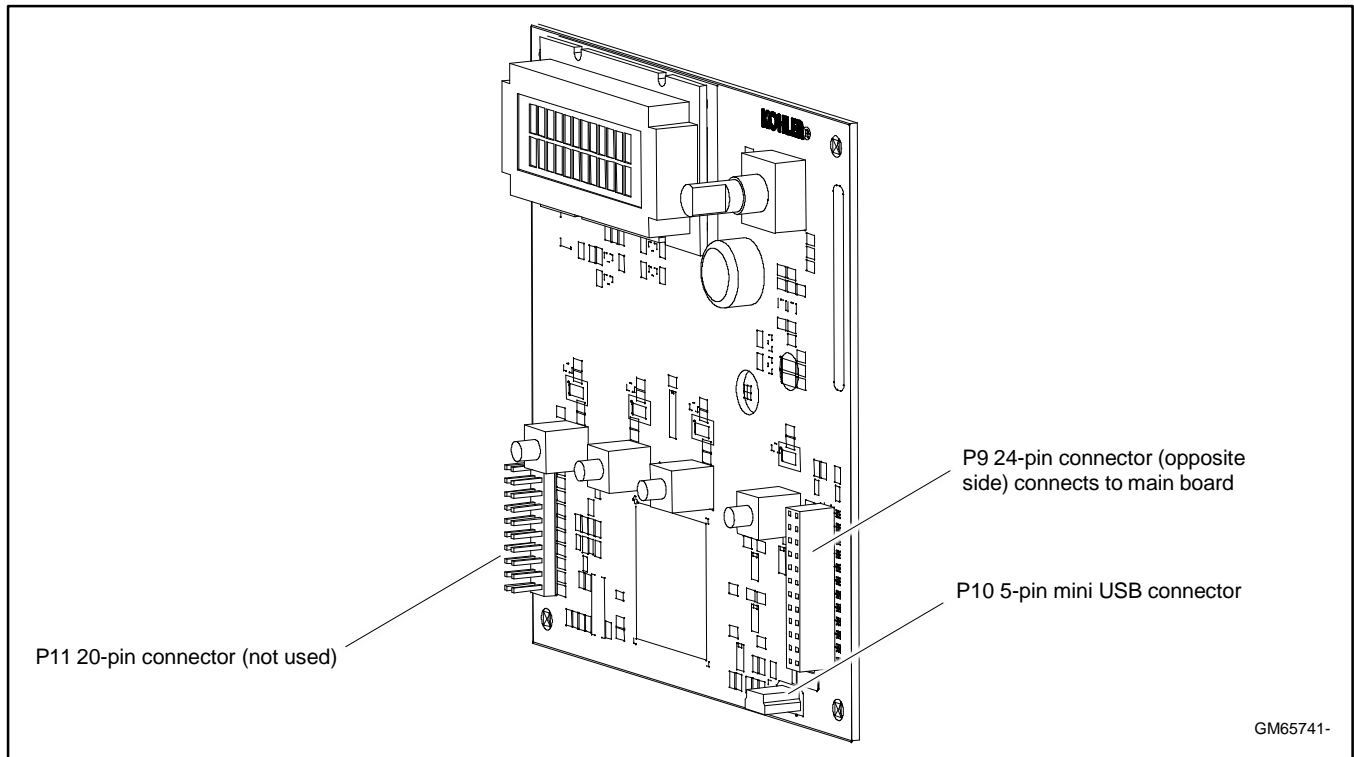


Figure 4 Digital Display Circuit Board Connectors

1.2.6 Main Logic Circuit Board

The main logic circuit board provides the terminal strips and connection sockets to connect the controller to the engine/generator, input/output connections, optional I/O module kit, and circuit protection fuses. See Figure 5 and Figure 6 for the circuit board connections. See the section titled: Accessories for more information.

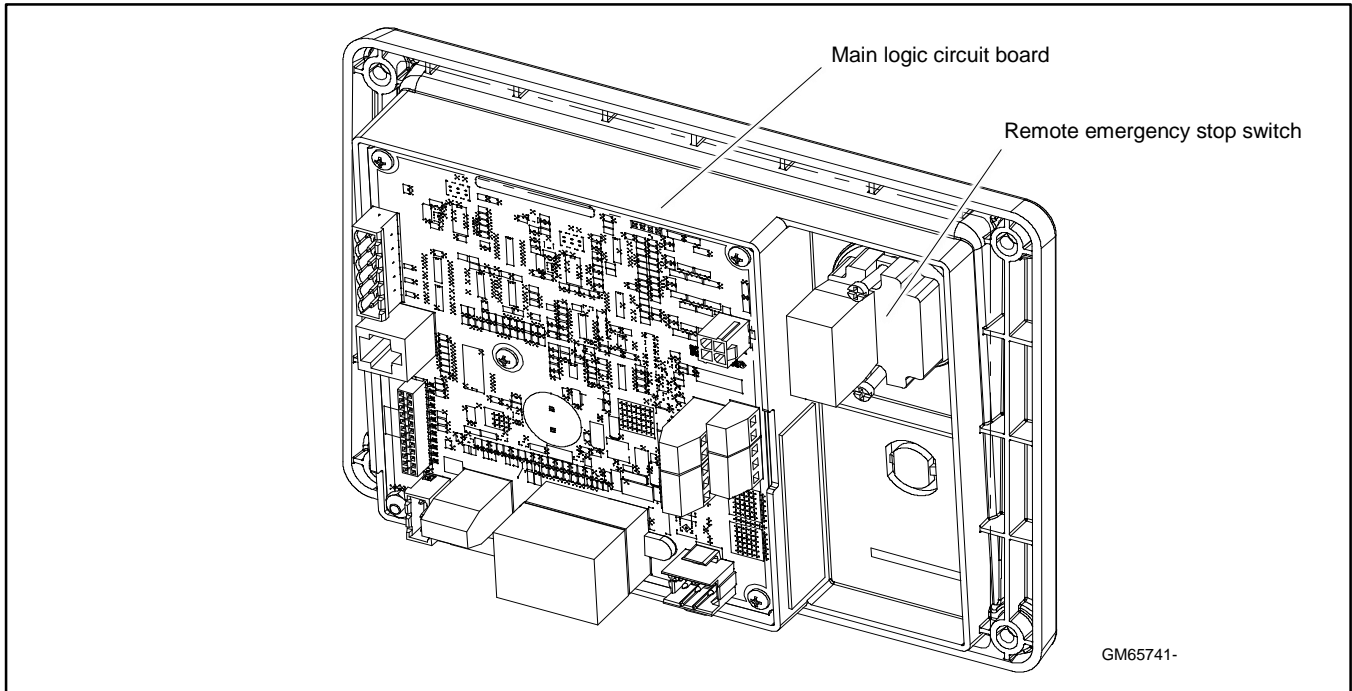
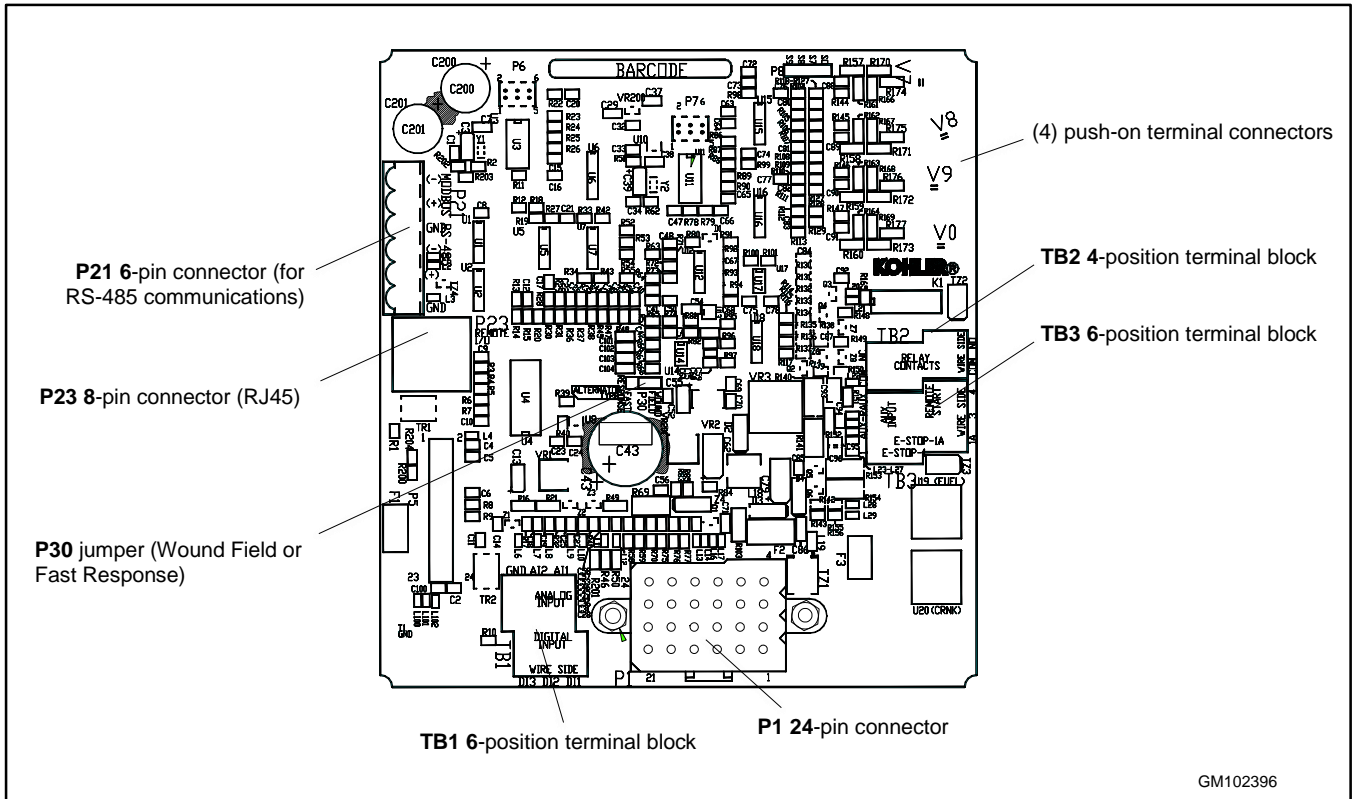


Figure 5 Main Circuit Board and Emergency Stop Switch

Circuit Board Connections

P1 (24-Pin) Connector for engine/generator wiring harness.

(4) Push-on Connectors for V7/V8/V9/V0 for generator set output voltage connection.



GM102396

Figure 6 Main Circuit Board Connectors

P21 (6-Pin) Connector for (RS-485) connection of optional RSA or Modbus® communication.

P23 (8-Pin) Connector (RJ45) for optional input/output (I/O) module circuit board.

Refer to the section titled: Accessory Connections for specific connections of the following terminal block connections.

TB1 (6-Position) Terminal Block for analog and digital inputs.

TB2 (4-Position) Terminal Block for K1 relay outputs.

TB3 (6-Position) Terminal Block for E-stop, remote start contacts, and aux. input connections.

1.2.7 Terminal Jumper

A circuit board P30 jumper is set based on alternator type—Wound Field (300 kW and larger) or Fast Response (less than 350 kW). The jumper is factory set and needs no further adjustment. See the figure titled: Main Circuit Board Connectors for location of the P30 jumper.

Modbus® is a registered trademark of Schneider Electric.

1.2.8 Communication Ports

The main logic circuit board contains a single mini USB communication port for PC connections, see Figure 7. For Modbus® communication using RS-485, see the figure titled: Main Circuit Board Connectors (P21). Refer to the List of Related Materials in the Introduction for corresponding SiteTech™ software and/or communication installation information.

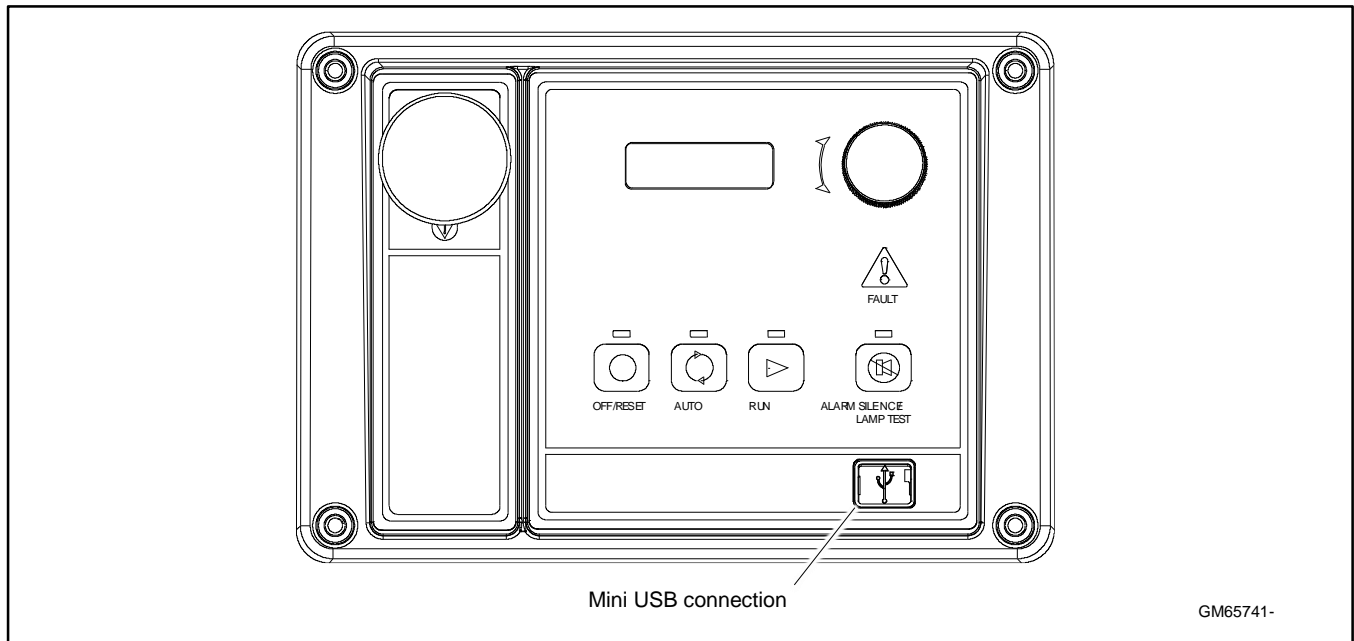


Figure 7 Communication Port

1.2.9 Fuses

AC Circuit Fuses (TB5). Fuses are located inside the generator set control box. See Figure 8.

- **1.5-Amp (V7)** fuse protects L1 sensing input to interconnection circuit board.
- **1.5-Amp (V8)** fuse protects L2 sensing input to interconnection circuit board.
- **1.5-Amp (V9)** fuse protects L3 sensing input to interconnection circuit board.

DC Circuit Fuses are located on the controller circuit board. See Figure 9.

- **1-Amp (F1)** auto-resettable, fuse protects the controller circuits.
- **1-Amp (F2)** auto-resettable fuse protects the controller circuits.
- **12-Amp (F3)** non-replaceable fuse protects the engine/starting circuitry and accessories.

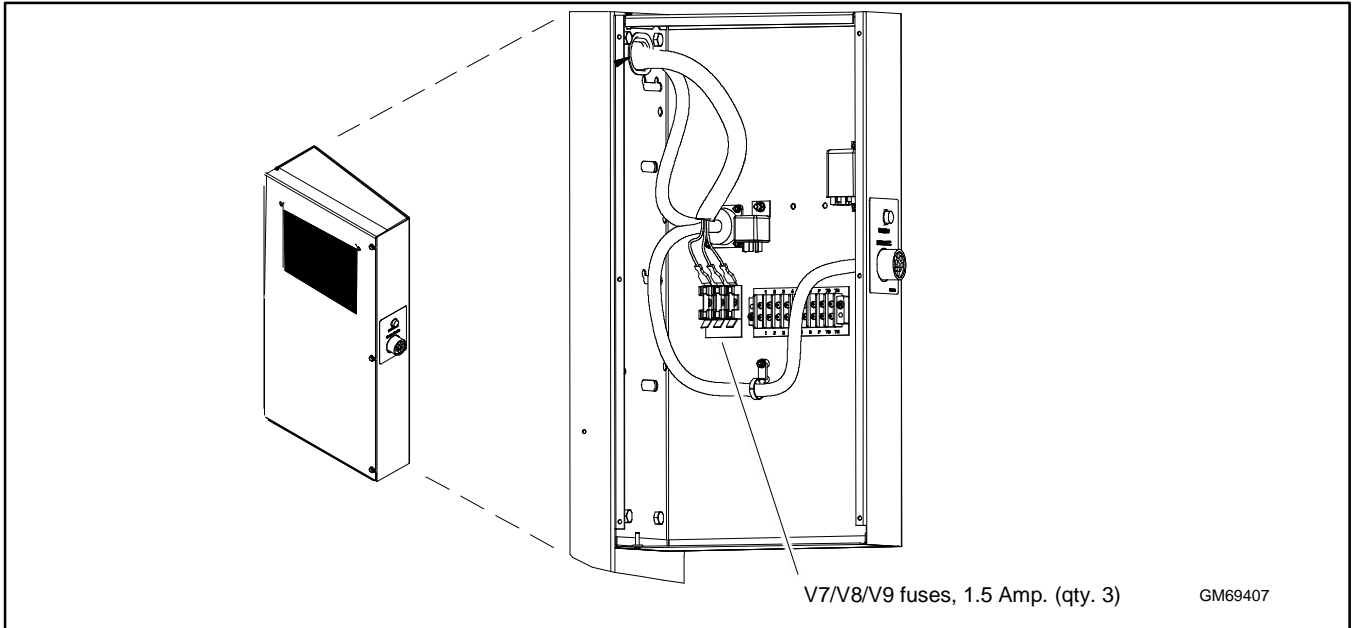


Figure 8 AC Circuit Fuses in Control Box

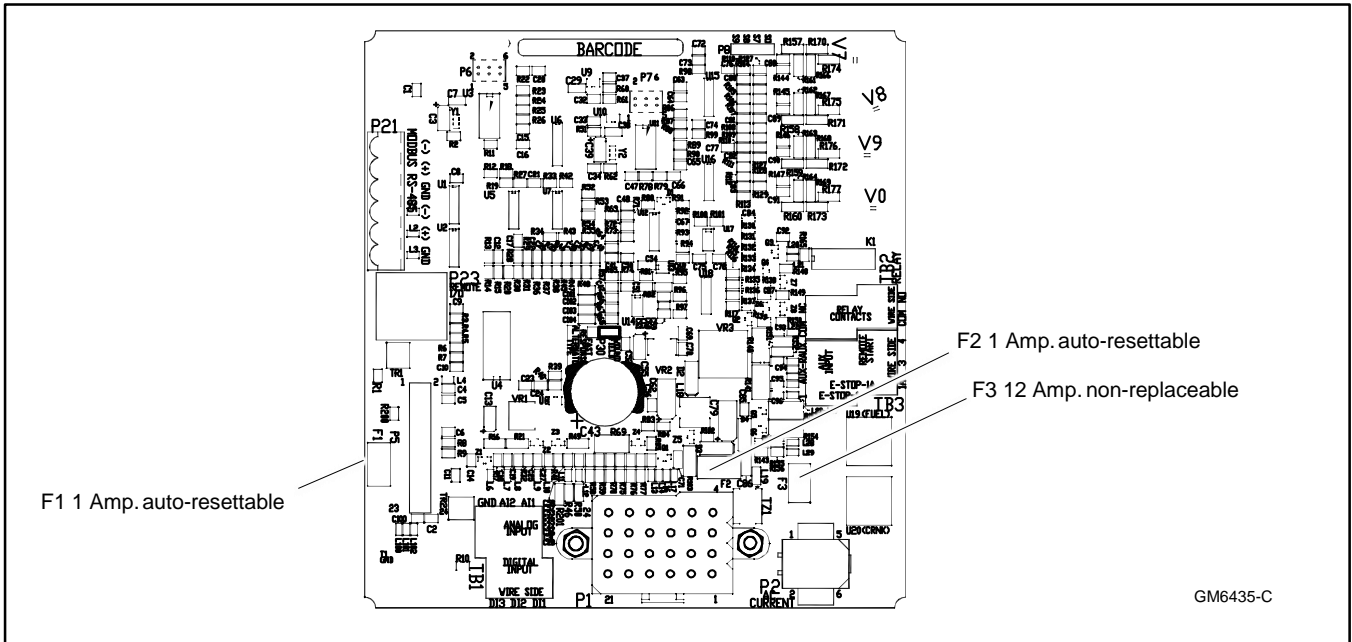


Figure 9 Controller DC Fuses

1.3 Controller Logic Specifications

The controller logic specifications section is an overview of the various features and functions of the controller. Certain features function only when optional accessories are connected. See the section titled: Operation, for details.

The default selection time delays and digital outputs are factory set and adjustable. Data entries require using a PC and SiteTech™ software. See the SiteTech™ software operation manual for details.

Inhibit Time Delay. The inhibit time delay is the time period following crank disconnect during which the generator set stabilizes and the controller does not detect a fault or status event. Select the desired inhibit time delay from 0 to 60 seconds.

Time Delay (Shutdown or Warning). The time delay follows the inhibit time delay. The time delay is the time period between when the controller first detects a fault or status event and the controller warning or shutdown lamp illuminates. The delay prevents nuisance alarms. Select the desired time delay from 0 to 60 seconds.

1.3.1 Status Event and Fault Specifications

The Factory-Defined Settings List contains all status events and faults with ranges and time delays including items that do not have user adjustments.

Note:

The engine ECM may limit the crank cycle even if the controller is set to a longer time period.

Factory-Defined Settings List

Description	Controller Display Message	Alarm Horn	Fault Lamp Warning Shutdown	Write Access Display SiteTech	GenSet Mode Always Running Stopped	Range Setting	Default Selection	Time Delay Range (sec.)	Default Time Delay (sec.)
Engine Functions									
Critically high fuel level (diesel-powered models only)*	Fuel Level Critically High	On	W			0-100%	95%	0-10	5
ECM communications loss	ECM Comm Err Shutdwn	On	S					Fixed	10
ECM diagnostics (multiple inputs) †	ECM xxxxxx Warning	On	W						
ECM diagnostics (multiple inputs) †	ECM xxxxxx Shutdwn	On	S						
ECM faults (address conflict)	ECM Addr Err Shutdwn	On	S						
ECM faults (model mismatch)	ECM Mismatch Shutdwn	On	S			0-255	0		
Engine over speed	Eng Speed High Shutdwn	On	S	S	A	105-120%	115%		
Engine start aid active	Starting Aid Notice								
Engine under speed	Eng Speed Low Shutdwn	On	S	S	A	75-95%	85%		
Fuel tank leak *	Fuel Leak Warning	On	W						
Fuel tank leak *	Fuel Leak Shutdwn	On	S						
High battery voltage	Battery High Warning	On	W	S	A	110-135%	125%	Fixed	10
High coolant temperature	Coolnt Temp High Warning	On	W					0-10 (0-30 inhibit)	0 (5 FAA) (0 inhibit)
High coolant temperature	Coolnt Temp High Shutdwn	On	S					0-10 (0-30 inhibit)	0 (0 inhibit)
High fuel level (diesel-powered models only) *	Fuel Level High Warning	On	W			0-100%	90%	0-10	5
Loss of fuel	Loss of Fuel	On	S						
Low battery voltage	Battery Low Warning	On	W	S	A	80-105%	100%	Fixed	90
Low coolant level *	Coolant Lvl Low Shutdwn	On	S					Fixed	5
Low coolant temperature	Coolant Temp Low Warning	On	W			Fixed	16°C (60°F)	0-10 (0-30 inhibit)	5 (0 inhibit)

* Function requires optional input sensors or is engine ECM dependent on some generator set models.

† ECM inputs are engine-manufacturer dependent.

‡ Changeable only by resetting the controller with a personality profile (SiteTech 1.4 or higher).

** Denotes the default parameter range. Typically, ranges for the NiCad battery topology are slightly wider. For more details, refer to the battery charger operation manual.

ST- Short Term, LT- Long Term

Description	Controller Display Message	Alarm Horn	Fault Lamp Warning Shutdown	Write Access Display SiteTech	GenSet Mode Always Running Stopped	Range Setting	Default Selection	Time Delay Range (sec.)	Default Time Delay (sec.)
Low cranking voltage	Lo Crank Vlt Warning	On	W			Fixed	60%	Fixed	6
Low engine oil level *	Oil Level Low Warning	On	W						
Low engine oil level *	Oil Level Low Shutdwn	On	S						
Low fuel level (diesel models) *	Fuel Level Low Warning	On	W			0-100%	35%	0-10	10
Low fuel level (diesel models) *	Fuel Level Low Shutdwn	On	S			0-100%	5%	0-10	0
Low fuel pressure (gas models) *	Fuel Press Low Warning	On	W						
Low oil pressure	Oil Press Low Warning	On	W					Fixed (Fixed inhibit)	0 (30 inhibit)
Low oil pressure	Oil Press Low Shutdwn	On	S					Fixed (Fixed inhibit)	5 (30 inhibit)
No coolant temperature signal	Temp Sig Loss Shutdwn	On	S						
No oil pressure signal	Press Sig Loss Shutdwn	On	S					Fixed	5
Overcrank	Over Crank Shutdwn	On	S					Fixed	(30 inhibit)
Speed sensor fault	Spd Sens Flt Warning	On	W						
General Functions									
Alarm silence, 0- Auto only (NFPA 110), 1- Always	Alarm Silence Mode			S	A	0-1	1		
Aux. inputs 0- 5 VDC, 1 analog	Aux Input Warning	On	W			0-100%	100%	0-10	0
Aux. inputs 0- 5 VDC, 1 analog	Aux Input Shutdwn	On	S			0-100%	100%	0-10	0
Auxiliary inputs, up to 3 digital (2 additional digital inputs available with I/O module option)	Aux Input Warning	On	W					0-10 (0-30 inhibit)	0 (0 inhibit)
Auxiliary inputs, up to 3 digital (2 additional digital inputs available with I/O module option)	Aux Input Shutdwn	On						0-10 (0-30 inhibit)	0 (0 inhibit)
Backup parameters loaded	Backup Pars Status								
Battery charger 1 communication loss	Bat1CommLoss	On	W						
Battery charger 2 communication loss	Bat2CommLoss	On	W						
Battery charger fault * (does not apply to charger GM87448)	Batt Chg Flt	On	W						
Battery charger identity conflict	BatIdErr	On	W						
Battery charger parameter mismatch	ParMisatch	On	W						
Battery fault	Battery Flt	On	W						
* Function requires optional input sensors or is engine ECM dependent on some generator set models. † ECM inputs are engine-manufacturer dependent. ‡ Changeable only by resetting the controller with a personality profile (SiteTech 1.4 or higher). ** Denotes the default parameter range. Typically, ranges for the NiCad battery topology are slightly wider. For more details, refer to the battery charger operation manual. ST- Short Term, LT- Long Term									

Description	Controller Display Message	Alarm Horn	Fault Lamp Warning Shutdown	Write Access Display SiteTech	GenSet Mode Always Running Stopped	Range Setting	Default Selection	Time Delay Range (sec.)	Default Time Delay (sec.)
Chicago code active *	Chicago Code Active								
Common fault	Common Fault Shutdwn	On	S						
Common warning	Common Warnng	On	W						
Default parameters loaded	Default Pars Warning	On	W						
Emergency stop	Emerg Stop Shutdwn	On	S						
Enclosure temperature: high shutdown	Enclsr Temp: High Shutdwn	On	S			Fixed	Active	Fixed	5 (20 inhibit)
Engine cooldown (delay) active	Eng Cooldown Notice								
Engine start delay active	Start Delay Notice								
Engine started	Engine Start Status								
Engine stopped	Engine Stop Status								
EPS supplying load	Emerg Pwr On Notice								
File system error (controller fault)	File Error Shutdwn	On	S						
Generator running	Gen Running Notice								
Input/output (optional module board) communication loss	OB1 Com Loss	On	W						
Internal failure	Intern Error Shutdwn	On	S						
Measurement Units, 0-English, 1-Metric	Measurement Display			DS	A	0-1	1		
Metering communication loss	MeterComm Loss Shutdwn	On	S						
NFPA 110 alarm active	NFPA Alarm Notice								
Not in auto (master control buttons)	Not In Auto Warning	On	W						
Prime power application, 0-Standby, 1-Prime	Power Type			DS	A	0-1	0		
Remote start	Remote Start Status								
System ready	System Ready Status								
System timer failed	Timer Error Notice								
Generator Functions									
AC sensing loss	AC Sens Loss Warning	On	W						
AC sensing loss	AC Sens Loss Shutdwn	On	S					Fixed	3
* Function requires optional input sensors or is engine ECM dependent on some generator set models. † ECM inputs are engine-manufacturer dependent. ‡ Changeable only by resetting the controller with a personality profile (SiteTech 1.4 or higher). ** Denotes the default parameter range. Typically, ranges for the NiCad battery topology are slightly wider. For more details, refer to the battery charger operation manual. ST- Short Term, LT- Long Term									

Description	Controller Display Message	Alarm Horn	Fault Lamp Warning Shutdown	Write Access Display SiteTech	GenSet Mode Always Running Stopped	Range Setting	Default Selection	Time Delay Range (sec.)	Default Time Delay (sec.)
Alternator protection	Alt Protect Shutdwn	On	S						
Ground fault input *	Ground Fault Warning	On	W						
kW overload	Total Power High Shutdwn	On	S			Fixed	102% standby, 112% prime	Fixed	60
Locked rotor (failed to crank)	Locked Rotor Shutdwn	On	S	S	A			1-5	5
Overfrequency	Freq High Shutdwn	On	S			102-140%	110%	Fixed	10
Overvoltage (each phase)	Volts (L1- L2, L2- L3, or L3- L1) High Shutdwn	On	S	S	A	105-135%	120%	2-10	
Power rating	Pwr Rating			DS	S	10-5000	275		
System frequency	System Freq			DS	S	50-60	60		
System voltage	System Volt			DS	S	110-600	208		
Underfrequency	Frequency Low Shutdwn	On	S			80-95%	90%	Fixed	10 ST 60 LT
Undervoltage (each phase)	Volts (L1- L2, L2- L3, or L3- L1) Low Shutdwn	On	S		A	0-95%	80%	5-30	10
Voltage/phase configuration, 0- Single phase, 1- Single phase dogleg, 2- three phase wye, 3- three phase delta	SystemPhase			DS	S	0-3	2		
Voltage regulator average voltage adjustment	VR Volt Adj			DS	R	108-600	208		
(Voltage) regulator communication loss	RegCommLoss Shutdwn	On	S						
SiteTech Read/Write Display Only									
Charger Absorption Current Termination Target (A)				S	A	1-5	2		
Charger Automatic Equalize Enable Note: Equalize is only available with FLA/VRLA topology selected.				S	A	Active Inactive	Inactive		
Charger Charge Cycles Between Auto Equalize Cycles Note: Equalize is only available with FLA/VRLA topology selected.				S	A	0-99			
Charger Custom Profile Enable				S	A	Active Inactive	Inactive		
Charger Depleted Battery Current Limit				S	A	1-5	2		
* Function requires optional input sensors or is engine ECM dependent on some generator set models. † ECM inputs are engine-manufacturer dependent. ‡ Changeable only by resetting the controller with a personality profile (SiteTech 1.4 or higher). ** Denotes the default parameter range. Typically, ranges for the NiCad battery topology are slightly wider. For more details, refer to the battery charger operation manual. ST- Short Term, LT- Long Term									

Description	Controller Display Message	Alarm Horn	Fault Lamp Warning Shutdown	Write Access Display SiteTech	GenSet Mode Always Running Stopped	Range Setting	Default Selection	Time Delay Range (sec.)	Default Time Delay (sec.)
Charger Depleted Battery Voltage Target				S		4–12 (12 V) 18–24 (24 V)	10 (12 V) 20 (24 V)		
Charger Equalize Stage Duration (Min) Note: Equalize is only available with FLA/VRLA topology selected.				S	A	60–480			
Charger Manual Equalize Cycle Activation Note: Equalize is only available with FLA/VRLA topology selected.				S	A	Active Inactive	Inactive		
Charger Maximum Absorption Time Threshold (Min.)				S	A	60–360 60–600 (NiCad only)	240		
Charger Maximum Bulk Time Threshold (Min)				S	A	6–600	480		
Charger Refresh Charge Cycle Time (Hr)				S	A	0, 23–672	335		
Charger Return To Bulk State Voltage Threshold (V)				S	A	10–13 (12 V)** 20–26 (24 V)**	12.8 (12 V) 25.6 (24 V)		
Charger Starter Battery Topology Note: Verify that the battery topology is set correctly for the battery type that is used. Incorrect charger output system voltage may cause irreversible damage to the battery and abnormal out gassing.				S	A	Default FLA/ VRLA AGM Gel NiCad	Default		
Charger System Battery Voltage Note: Verify that the system voltage is set correctly for the battery type that is used. Incorrect charger output system voltage may cause irreversible damage to the battery and abnormal out gassing.				S	A	System 12 VDC System 24 VDC	12 VDC		
Charger Temperature Compensation Enable				S	A	Active Inactive	Inactive		
Charger Temperature Compensation Slope (mV/ C)				S	A	-40–0 (12 V) -80–0 (24 V)	-30 (12 V) - 60 (24 V)		
<p>* Function requires optional input sensors or is engine ECM dependent on some generator set models. † ECM inputs are engine-manufacturer dependent. ‡ Changeable only by resetting the controller with a personality profile (SiteTech 1.4 or higher). ** Denotes the default parameter range. Typically, ranges for the NiCad battery topology are slightly wider. For more details, refer to the battery charger operation manual.</p>									
ST- Short Term, LT- Long Term									

Description	Controller Display Message	Alarm Horn	Fault Lamp Warning Shutdown	Write Access Display SiteTech	GenSet Mode Always Running Stopped	Range Setting	Default Selection	Time Delay Range (sec.)	Default Time Delay (sec.)
Charger Voltage Absorption (V)				S	A	13-15 (12 V)** 26-30 (24 V)**	14.25 (12 V) 28.5 (24 V)		
Charger Voltage Bulk (V)				S	A	13-15 (12 V)** 26-30 (24 V)**	14.25 (12 V) 28.5 (24 V)		
Charger Voltage Equalize (V) Note: Equalize is only available with FLA/VRLA topology selected.					A	14-16 (12 V) 28-32 (24 V)			
Charger Voltage Float (V)				S	A	13-14 (12 V)** 26-28 (24 V)**	13.25 (12 V) 26.5 (24 V)		
Current transformer ratio ‡				S	S	1-	1200		
ECM power				S	S	0-1	0		
Engine cooldown delay				S	A			0-600	300
Engine (cyclic) crank on				S	A			10-30	15
Engine (cyclic) crank pause				S	A			1-60	15
Engine ECM start delay				S	A			0-300	0
Engine idle duration				S	A			0-60	60
Engine no. of (cyclic) crank cycles				S	S	1-6	3		
Engine restart delay				S	A			1-10	10
Engine start aid delay				S	A			0-10	0
Engine start delay				S	A			0-300	0
Equalize Current Limit (A) Note: Equalize is only available with FLA/VRLA topology selected.				S	A	1-5			
Forced Charge Cycle Reset				S	A	Active Inactive	Inactive		
Output Enable						Fixed	Active		
System battery voltage ‡				S	S	12-24	12		
Voltage regulator gain				S	R	1-255	128		
Voltage regulator stability adjust				S	R	1-255	128		
Voltage regulator, volts per Hertz slope				S	R	1-10	5		
Voltage regulator, volts per Hertz cut in frequency				S	R	42-62	57.5		
<p>* Function requires optional input sensors or is engine ECM dependent on some generator set models. † ECM inputs are engine-manufacturer dependent. ‡ Changeable only by resetting the controller with a personality profile (SiteTech 1.4 or higher). ** Denotes the default parameter range. Typically, ranges for the NiCad battery topology are slightly wider. For more details, refer to the battery charger operation manual.</p>									
ST- Short Term, LT- Long Term									

1.3.2 Voltage Regulator and Calibration Specifications

The controller has a voltage regulation function that is internal to the processor. This means that no external voltage regulator is necessary. The voltage regulation of the controller uses root mean square (rms) sensing for fast response to changes in indicated and regulated voltages resulting in excellent regulation accuracy.

1.3.3 Voltage Regulator Adjustments

The descriptions of the voltage regulator adjustments and features follow. Refer to the Factory-Defined Settings List shown in the section titled: Status Event and Fault Specifications for voltage regulator adjustments. See Appendix titled: Voltage Regulator Definitions and Adjustments, for additional information and to customize adjustments for specific applications.

Voltage Adjustment. The voltage adjustment allows the user to enter the desired generator set output level. This regulated level setting is the average of the three line-to-line voltages in three-phase configurations or L1-to-L2 in single phase configurations.

Submenus display the individual line-to-line voltages. These voltages are for reference only and are relevant in unbalanced load conditions. The voltage adjust setpoint can be changed to accommodate an important phase in an unbalanced system.

Underfrequency Unload Frequency Setpoint. This adjustment affects the voltage droop (volts per Hz) when load is applied and underfrequency occurs. The underfrequency unload setting defines the setpoint where underfrequency starts. Any frequency below the setpoint causes the voltage to drop thus reducing the load allowing the engine speed to recover according to the underfrequency unload slope setting.

Engine speed recovery depends upon characteristics such as engine make, fuel type, load types, and operating conditions. The underfrequency unload setting should match the engine speed recovery characteristics for the application.




Underfrequency Unload Slope. This setting determines how much the voltage drops during an underfrequency condition. Typically, applying a large electrical load causes a dip in engine speed and frequency. The voltage regulator reduces voltage, allowing engine speed recovery. The volts-per-Hz setting determines the amount of voltage drop.

Regulator Gain. Regulator gain refers to the gain of the control system. Generally, the higher the gain the faster the system responds to changes and the lower the gain, the more stable the system.

If the voltage is slow to recover when loads are applied or removed, increase the regulator gain. If the voltage is unstable, decrease the regulator gain.

2.1 Prestart Checklist

To ensure continued satisfactory operation, perform the following checks or inspections before or at each startup, as designated, and at the intervals specified in the service schedule. In addition, some checks require verification after the unit starts.

 DANGER	Hazardous voltage. Moving parts. Will cause severe injury or death. Operate the generator set only when all guards and electrical enclosures are in place.
 	

Air Cleaner. Check for a clean and installed air cleaner element to prevent unfiltered air from entering engine.

Air Inlets. Check for clean and unobstructed air inlets.

Battery. Check for tight battery connections. Consult the battery manufacturer's instructions regarding battery care and maintenance.

Coolant Level. Check the coolant level according to the cooling system maintenance information.

Note:

Block Heater Damage. The block heater will fail if the energized heater element is not immersed in coolant. Fill the cooling system before turning on the block heater. Run the engine until it is warm, and refill the radiator to purge the air from the system before energizing the block heater.

Drive Belts. Check the belt condition and tension of the radiator fan, water pump, and battery charging alternator belt(s) according to the drive belt system maintenance information.

Exhaust System. Check for exhaust leaks and blockages. Check the silencer and piping condition and check for tight exhaust system connections.

Inspect the exhaust system components (exhaust manifold, exhaust line, flexible exhaust, clamps, silencer, and outlet pipe) for cracks, leaks, and corrosion.




- Check for corroded or broken metal parts and replace them as needed.
- Check for loose, corroded, or missing clamps and hangers. Tighten or replace the exhaust clamps and/or hangers as needed.
- Check that the exhaust outlet is unobstructed.
- Visually inspect for exhaust leaks (*blowby*). Check for carbon or soot residue on exhaust components. Carbon and soot residue indicates an exhaust leak. Seal leaks as needed.

Fuel Level. Check the fuel level and keep the tank(s) full to ensure adequate fuel supply.

Oil Level. Maintain the oil level at or near, not over, the full mark on the dipstick.

Operating Area. Check for obstructions that could block the flow of cooling air. Keep the air intake area clean. Do not leave rags, tools, or debris on or near the generator set.

2.2 Exercising Generator Set

 DANGER	Hazardous voltage. Moving parts. Will cause severe injury or death. Operate the generator set only when all guards and electrical enclosures are in place.
 	

Operate the generator set under load once each week for one hour. Perform the exercise in the presence of an operator when the generator set does not have an automatic transfer switch with an exercise option.

During the exercise period, apply a minimum of 35% load based on the nameplate standby rating, unless otherwise instructed in the engine operation manual.

The operator should perform all of the prestart checks before starting the manual exercise procedure. Start the generator set according to the starting procedure in the section titled: Controller Operation. While the generator set is operating, listen for a smooth-running engine and visually inspect generator set for fluid or exhaust leaks.

The generator set controller does not provide weekly scheduled exercise periods. For scheduled exercise periods, refer to the automatic transfer switch (if equipped) literature.

2.3 Operations in Cold Weather Climates

Cold weather operation is generally considered ambient temperatures below freezing 0°C (32°F). The following items are recommended for cold weather starting and/or operation when the unit is located in an enclosure or unheated structure. Have a licensed electrician install 120 VAC, 15 amp outlets as needed if not already in the immediate area.

Refer to the engine operation manual regarding engine oil viscosity, fuel composition, and coolant mixture recommendations.

- The **engine block heater** is generally recommended for most units when operated below 0°C (32°F) and required as part of NFPA 110. Refer to the respective spec sheet for temperature recommendations in available options.
- A **battery heater** is generally recommended for most units when operated below 0°C (32°F). Refer to the respective spec sheet for model availability.
- An **alternator strip heater** is available for most generator sets providing a heat source to prevent moisture and frost buildup.
- The **crankcase ventilation (CCV) heater kit** provides a controlled heating source to the crankcase ventilation system preventing freezing water buildup during cold weather. The thermostat turns on at 4°C (40°F) and turns off at 16°C (60°F). Refer to the section titled: Scheduled Maintenance for more information. (Applies to 125/150 kW, 8.1 L GM-and 8.8 L PSI- powered generator set models only.)
- **Heater tape** is recommended when the generator set is equipped with a closed crankcase ventilation system and operated at or below 50% of rated load. Wrap the UL/CSA compliant heater tape around the crankcase canister/breather system hose that runs from the crankcase to the air intake and use cable ties as needed to secure the heater tape. If the heater tape is within 152 mm (6 in.) of the exhaust system, use thermal insulation material to protect the heater tape.

40- 60REOZK Models only. When the ambient temperature drops below - 15°C (5°F) a turbocharger pre-lube sequence begins when the crank cycle is initiated. During the first 10 seconds of cranking, the fuel system is disabled to ensure engine oil is present at the turbocharger. This is necessary for the longevity of the turbocharger on the KDI 3404TM engine. The fuel system is then enabled for the next 5 seconds of cyclic cranking and the engine will start as normal.

2.4 Controller Operation

The controller operation includes several types of starting and stopping functions as detailed in the following paragraphs. The controller master control switch buttons, lamps, and alarm horn functions are summarized in the figure titled: Master Control Button Function Summary.

2.4.1 Starting

Local Starting

Press the master control RUN button to start the generator set at the controller.

Note:

The alarm horn sounds and the Not-In-Auto Warning display appears whenever the generator set master control button is not in the AUTO mode.

Button Mode	Generator Set Status	Button Lamp	Fault Lamp	Alarm Horn	Alarm Silence Button *	Alarm Silence Lamp	Controller Display
AUTO	Off	Green	—	Off	—	—	Scrolling Overview Menu Only
	On (or Cranking)		—	Off	—	—	
	Running and then Off		Red	On	—	—	Shutdown Message
		Off	Pressed	Yellow			
OFF/RESET	Off	Red	Yellow	On	—	—	Not in Auto Warning
				Off	Pressed	Yellow	
RUN (unit fails to start)	Off (or Cranking)	Yellow	Yellow	On	—	—	Not in Auto Warning
				Off	Pressed	Yellow	
	Off		Red	On	—	—	Locked Rotor Shutdown (or other shutdown message)
				Off	Pressed	Yellow	
RUN (unit starts)	Off (or Cranking)	Yellow	Yellow	On	—	—	Not in Auto Warning
				On	Pressed	Yellow	
	Running and then Off	Yellow	Red	On	—	—	Shutdown Message
				Off	Pressed	Yellow	

* Alarm silence only works when in the Auto mode unless the Always selection is made using SiteTech™. Refer to the section titled: GenSet System for more information

Figure 10 Master Control Button Function Summary

Note:

The transient start/stop function of the controller prevents accidental cranking of the rotating engine. The generator set stops and recranks when the OFF/RESET button is momentarily pressed and then the RUN button is pressed.

Auto Starting

Press the master control AUTO button to allow startup by the automatic transfer switch or remote start/stop switch (connected to controller terminals 3 and 4).

Terminals 3 and 4 connect to a circuit that automatically starts the generator set crank cycle when an external source closes the circuit.

Note:

The controller provides up to 30 seconds of programmable cyclic cranking and up to 60 seconds rest with up to 6 cycles. The default setting is 15 seconds cranking and 15 seconds rest for 3 cycles. Make cyclic cranking adjustments using SiteTech™ software.

Prime Power Switch

The controller has an optional prime power mode of operation. The prime power mode requires installation of an optional prime power switch kit. See the section titled: Accessories, for instructions on how to install the optional prime power switch kit. The prime power switch kit prevents engine starting battery drain when the generator set is shut down and no external battery charging is available.

Move the prime power switch located on the junction box to the CONTROLLER ON position before attempting to start the generator set. When the prime power mode is off, all controller functions including the digital display, LEDs, and alarm horn are operative.

Stop the generator set using the stopping procedures in the section titled: Stopping (User Stopping and Fault Shutdown) before placing the generator set in the prime power mode. Move the prime power switch located on the junction box to the

CONTROLLER OFF position. When the generator set is the prime power mode, all controller functions including the digital display, LEDs, alarm horn, and communications are inoperative.

2.4.2 Stopping (User Stopping and Fault Shutdown)

Normal Stopping

Run the generator set without load for 5 minutes to ensure adequate engine cooldown.

The controller has a programmable cooldown timer that functions only when the master control button is in the AUTO mode. To stop the generator set, press the generator set master control OFF/RESET button and wait until the generator set comes to a complete stop.

Note:

The cooldown cycle times out before the generator set stops when a remote switch or automatic transfer switch initiates the generator set start/stop sequence.

Emergency Stopping

Use the controller emergency stop switch or optional remote emergency stop for immediate shutdown.

The emergency stop switch bypasses the time delay engine cooldown and immediately shuts down the generator set.

Note:

Use the emergency stop switch(es) for emergency shutdowns only. Use the generator set master control OFF/RESET button for normal shutdowns.

The controller fault lamp lights and the unit shuts down when the local or remote emergency stop switch activates.

2.4.3 Emergency Stop Switch Resetting

Use the following procedure to reset the generator set after shutdown by a local or remote emergency stop switch. Refer to the section titled: Controller Resetting procedure, to restart the generator set following a fault shutdown.

1. Investigate and correct the cause of the emergency stop.
2. Reset the optional remote emergency stop switch by replacing the glass piece, when equipped. Additional glass rods are available as a service part. Reset the controller emergency stop switch by pulling the switch dial outward.
3. Press the generator set master control OFF/RESET button.
4. After resetting all faults using the controller reset procedure in the section titled: Controller Resetting, press the generator set master control RUN or AUTO button to restart the generator set. The generator set will not crank until the reset procedure completes.

2.4.4 System Status Lamps

The (OFF/RESET- AUTO- RUN) master control buttons indicate the status condition with an integrated lamp at the button.

The green lamp illuminates on the master control AUTO (automatic start) button indicating the system senses no faults and the unit is ready to start by remote command.

The red lamp illuminates on the master control OFF/RESET button indicating the generator set is stopped.

The yellow lamp illuminates on the master control RUN button indicating the generator set is cranking or running from a local command.

Only one of the three master control button lamps will illuminate at any given time.

2.4.5 System Fault Warning Lamp with Digital Displays

The system FAULT lamp glows yellow and the alarm horn sounds indicating a warning fault but does not shut down the generator set. The fault lamp illuminates yellow and the alarm horn sounds when the fuel tank level on diesel-fueled models approaches

empty. This fault requires an optional low fuel level switch for the lamp to function. The local display shows *Fuel Level Low Warning*. See the section titled: Controller Resetting procedure, for instructions on resetting a system warning.

When the system warning lamp is on and no message displays, rotate the selector dial to view messages. When the system warning continues, it may lead to a fault and cause a system shutdown.

Use the Silence Alarm button to silence the alarm horn at the operator's discretion.

If the controller is setup for an NFPA 110 application, press the AUTO button before silencing the alarm horn. The alarm horn cannot be silenced unless the master control button is in the AUTO mode. See the section titled: Status and Notice Digital Displays for more information.

Note:

Text shown in *italics* in this section of the manual represents digital display messages.

AC Sensing Loss. The fault lamp illuminates yellow and the alarm horn sounds when the controller does not detect the nominal generator set AC output voltage after crank disconnect. The controller displays *AC Sens Loss Warning*.

Auxiliary Input (Warning). The fault lamp illuminates yellow and the alarm horn sounds when an auxiliary digital or analog input signals the controller. The digital inputs do not function during first the 30 seconds after startup. Use SiteTech™ software to define inputs as shutdowns or warnings. The local display shows *Aux Input Warning*.

Battery Charger Communication Loss. The warning fault lamp on the controller illuminates yellow and the alarm horn sounds when CAN communication with the battery charger has been lost. Local display shows either *bat1CommLoss* or *bat2CommLoss*.

Note:

bat2CommLoss indicates communication loss for battery charger number 2. *bat2CommLoss* is only relevant for generator sets with more than one battery charger.

Battery Charger Fault. The warning lamp on controller illuminates yellow and the alarm horn sounds when the battery charger malfunctions. Local display shows *Batt Chg Flt*.

Battery Charger Identity Conflict. The warning lamp on the controller illuminates yellow and the alarm horn sounds when there is a CAN address communication error. The battery charger has the same CAN address as another generator set component. To correct a CAN address error, verify the address identification in the harness and power cycle the controller. Local display shows *BatIdErr*.

Battery Charger Parameter Mismatch. The warning lamp on controller illuminates yellow and the alarm horn sounds when the battery charger metering is not in range of the specified parameters. Local display shows *ParMisatch*.

Battery Fault. The warning lamp on controller illuminates yellow and the alarm horn sounds when there is an issue with the battery such as a connection problem or a dead battery. When the temperature compensation sensor is connected, whether active or inactive, and the temperature rises above 60°C (140°F) or below - 20°C (- 4°F), the battery failure warning will also be displayed indicating that the battery is unable to take charge due to temperature. Absorption timeout will also cause a failure since the battery was unable to accept the expected charge in the time frame given which indicates a potential battery issue. Local display shows *Battery Flt*.

Common Warning. The fault lamp illuminates yellow and the alarm horn sounds when the controller is signaled by a common warning. Use SiteTech™ software to activate the common warning. The local display shows *Common Warnng*. The common warning comprises all of the warnings under a single alert.

Critical High Fuel Level (diesel-powered models only). The fault lamp illuminates yellow and the alarm horn sounds when the fuel tank level on diesel models approaches full. This fault requires an optional critical high fuel switch and fuel tank for the lamp to function. The local display shows *Fuel Level Critically High*.

Default Parameters Loaded. The fault lamp illuminates yellow and the alarm horn sounds when the controller detects that the default parameter software was loaded using SiteTech™ software. The local display shows *Default Pars Warning*.

ECM Diagnostics (Multiple Engine Inputs). The fault lamp illuminates yellow and the alarm horn sounds when ECM diagnostics signals the controller. The local display shows *ECM xxxxx Warning*. The specific display (xxxxx) will be a brief message or fault code that is engine manufacturer dependent. The engine literature provides the fault code description and further information.

Fuel Tank Leak (diesel-powered models only). The fault lamp illuminates yellow and the alarm horn sounds when the fuel tank signals a leak of the inner tank. This fault requires an optional fuel tank leak switch for the lamp to function. The local display shows *Fuel Leak Warning*.

Ground Fault. The fault lamp illuminates yellow and the alarm horn sounds when a user-supplied ground fault detector signals the controller. The local display shows *Ground Fault Warning*.

High Battery Voltage. The fault lamp illuminates yellow and the alarm horn sounds when the battery voltage rises above the preset level for more than 10 seconds. The local display shows *Battery High Warning*. Figure 11 shows high battery voltage specifications. The high battery voltage feature monitors the battery and battery charging system in the generator set operating and off modes.

Engine Electrical System Voltage	High Battery Voltage Range	High Battery Voltage Default Setting
12	13.2- 16.2	15
24	26.4- 32.4	30

Figure 11 High Battery Voltage Specs

High Coolant Temperature. The fault lamp illuminates yellow and the alarm horn sounds when the engine coolant temperature approaches the shutdown range. The high coolant temperature warning does not function during the preset inhibit time delay period after startup. The local display shows *Coolant Temp High Warning*.

High Fuel Level (diesel-powered models only). The fault lamp illuminates yellow and the alarm horn sounds when the fuel tank level on diesel models approaches near full. This fault requires an optional high fuel switch and fuel tank for the lamp to function. The local display shows *Fuel Level High Warning*.

Input/Output Communication Loss. The fault lamp illuminates yellow and the alarm horn sounds when the controller loses the input/output communication signal from the optional I/O module board. The local display shows *OB1 Com Loss*.

Low Battery Voltage. The fault lamp illuminates yellow and the alarm horn sounds when the battery voltage drops below a preset level for more than 90 seconds. The local display shows *Low Battery Warning*. See Figure 12 for low battery voltage specifications.

Engine Electrical System Voltage	Low Battery Voltage Range	Low Battery Voltage Default Setting
12	9.6- 12.6	12
24	19.2- 25.2	24

Figure 12 Low Battery Voltage Specs

The low battery voltage feature monitors the battery and battery charging system in the generator set operating and off modes. The controller logic inhibits the low battery voltage warning during the crank cycle.

Low Coolant Temperature. The fault lamp illuminates yellow and the alarm horn sounds when the engine coolant temperature is low. The low coolant temperature warning does not function during the preset inhibit time delay period after startup. The local display shows *Coolant Temp Low Warning*.

Low Cranking Voltage. The fault lamp illuminates yellow and the alarm horn sounds when the battery voltage drops below 60% of the nominal voltage (12 VDC or 24 VDC) for more than 6 seconds during the crank cycle. The local display shows *Lo Crank Vlt Warning*.

Low Engine Oil Level. The fault lamp illuminates yellow and the alarm horn sounds because of low engine oil level. This fault feature requires an optional low engine oil level sensor for the lamp to function. Local display shows *Oil Level Low Warning*.

Low Fuel Level (diesel-powered models only). The fault lamp illuminates yellow and the alarm horn sounds when the fuel tank level on diesel-fueled models approaches empty. This fault requires an optional low fuel level switch for the lamp to function. The local display shows *Fuel Level Low Warning*.

Low Fuel Pressure (gas-powered models only). The fault lamp illuminates yellow and the alarm horn sounds when low fuel pressure on gaseous-fueled models occurs. This fault requires an optional low fuel pressure switch for the lamp to function. The local display shows *Fuel Press Low Warning*.

Low Oil Pressure. The fault lamp illuminates yellow and the alarm horn sounds when the engine oil pressure approaches the shutdown range. The low oil pressure warning does not function during first the 30 seconds after startup. The local display shows *Oil Press Low Warning*.

Not in Auto (Generator Master Control Switches). The fault lamp illuminates yellow and the alarm horn sounds when the generator set master control button is in the RUN or OFF/RESET mode. The local display shows *Not In Auto Warning*.

Speed Sensor Fault. The fault lamp illuminates yellow and the alarm horn sounds when the speed signal is absent for one second while the generator set runs. The local display shows *Spd Sens Flt Warning*.

2.4.6 System Fault Shutdown Lamp with Digital Displays

The system FAULT lamp glows red, the alarm horn sounds, and the unit shuts down to indicate a fault shutdown under the following conditions. See the section titled: Controller Resetting procedure, for information on resetting a system shutdown.

Use the Alarm Off button to silence the alarm horn at the operator's discretion.

If the controller is set up for an NFPA 110 application, press the AUTO button before silencing the alarm horn. The alarm horn cannot be silenced unless the master control button is in the AUTO mode. See the section titled: Status and Notice Digital Displays for more information.

Note:

Text shown in *italics* in this section of the manual represents digital display messages.

AC Sensing Loss. The fault lamp illuminates red, the alarm horn sounds, and the unit shuts down when the controller does not detect the nominal generator set AC output voltage for more than 3 seconds after crank disconnect. The controller displays *AC Sens Loss Shutdwn*.

Alternator Protection. The fault lamp illuminates red and the unit shuts down because of an alternator overload or short circuit. The local display shows *Alt Protect Shutdwn*. See Appendix titled: Alternator Protection for more information.

Auxiliary Input (Shutdown). The fault lamp illuminates red, the alarm horn sounds, and the unit shuts down when an auxiliary digital or analog inputs signals the controller. The digital inputs do not function during first the 30 seconds after startup. Use SiteTech™ software to define inputs as shutdowns or warnings. The local display shows *Aux Input Shutdwn*.

Common Fault. The fault lamp illuminates red, the alarm horn sounds, and the unit shuts down when the controller is signaled by a common fault. Use SiteTech™ software to activate the common fault shutdown. The local display shows *Common Fault Shutdwn*. The common fault comprises the following shutdowns under a single alert.

- Emergency stop
- Engine over speed
- High coolant temperature
- Low oil pressure
- Overcrank

ECM Address Conflict. The fault lamp illuminates red, the alarm horn sounds, and the unit shuts down when the controller detects an error with the ECM address. The local display shows *ECMAddr Err Shutdwn*.

ECM Communications Loss. The fault lamp illuminates red, the alarm horn sounds, and the unit shuts down when the ECM communication link is disrupted. The local display shows *ECM Comm Err Shutdwn*.

ECM Diagnostics (Multiple Engine Inputs). The fault lamp illuminates red, the alarm horn sounds, and the unit shuts down when ECM diagnostics signals the controller. The local display shows *ECM xxxxx Shutdwn*. The specific display (xxxxx) will be a brief message or fault code that is engine manufacturer dependent. The engine literature provides the fault code description and further information.

ECM Model Mismatch. The fault lamp illuminates red, the alarm horn sounds, and the unit shuts down when the controller detects an error with the ECM model. The local display shows *ECM Mismatch Shutdwn*.

Emergency Stop. The fault lamp illuminates red, the alarm horn sounds, and the unit shuts down when the local or optional remote emergency stop switch activates. The local display shows *Emerg Stop Shutdwn*.

Enclosure Temperature: High Shutdown (Available on select Telecom units only). The fault lamp illuminates red, the alarm horn sounds, and the unit shuts down when the enclosure reaches high temperature. The digital input does not function during first the 20 seconds after startup and has a 5 second delay. The local display shows *Enclsr Temp: High Shutdwn*.

Engine Over Speed. The fault lamp illuminates red, the alarm horn sounds, and the unit shuts down immediately when the governed frequency on 50 and 60 Hz models exceeds the over speed setting. The local display shows *Eng Speed High Shutdwn*.

Engine Under Speed. The fault lamp illuminates red, the alarm horn sounds, and the unit shuts down immediately when the governed frequency on 50 and 60 Hz models drops below the under speed setting. The local display shows *Eng Speed Low Shutdwn*.

File System Error. The fault lamp illuminates red, the alarm horn sounds, and the unit shuts down when the internal controller diagnostics detect a firmware file error. The local display shows *File Error Shutdwn*.

Fuel Tank Leak (diesel-powered models only). The fault lamp illuminates red, the alarm horn sounds, and the unit shuts down when the fuel tank signals a leak of the inner tank. This fault requires an optional fuel tank leak switch for the lamp to function. The local display shows *Fuel Leak Shutdwn*.

High Coolant Temperature. The fault lamp illuminates red, the alarm horn sounds, and the unit shuts down because of high engine coolant temperature. The high coolant temperature shutdown does not function during the preset inhibit time delay period after startup. The local display shows *Coolnt Temp High Shutdwn*.

Note:

The high engine temperature shutdown function and the low coolant level shutdown function are independent. A low coolant level condition may not activate the high engine temperature switch.

Internal Fault. The fault lamp illuminates red, the alarm horn sounds, and the unit shuts down when the internal diagnostics detect a controller malfunction. The local display shows *Intern Error Shutdwn*.

kW Overload. The fault lamp illuminates red, the alarm horn sounds, and the unit shuts down when the generator set supplies more than 102% of the rated standby output kW (or 112% of the rated prime power output kW) for more than 60 seconds. The local display shows *Total Power High Shutdwn*.

Locked Rotor (failed to crank). If none of the speed sensing inputs show engine rotation within the preset time delay of initiating engine cranking, the ignition and crank circuits turn off for the preset period and the cycle repeats. The fault lamp illuminates red, the alarm horn sounds, and the unit shuts down after the second cycle of the preset period of cranking. The local display shows *Locked Rotor Shutdown*.

Loss of Fuel. The fault lamp illuminates red and the alarm horn sounds when the unit shuts down without receiving a signal from the controller to do so. On diesel-fueled units this condition includes fuel pump failure, loss of fuel prime, and/or an empty fuel tank. On gaseous-fueled units this condition includes loss of fuel pressure and/or an empty fuel tank. The local display shows *Loss of Fuel*.

Low Coolant Level. The fault lamp illuminates red, the alarm horn sounds, and the unit shuts down because of low coolant level. Shutdown occurs 5 seconds after low coolant level is detected. Local display shows *Coolant Lvl Low Shutdwn*.

Low Engine Oil Level. The fault lamp illuminates red, the alarm horn sounds, and the unit shuts down because of low engine oil level. This fault feature requires an optional low engine oil level sensor for the lamp to function. Local display shows *Oil Level Low Shutdwn*.

Low Fuel Level (diesel-powered models only). The fault lamp illuminates red, the alarm horn sounds, and the unit shuts down when the fuel tank level on diesel-fueled models approaches empty. This fault requires an optional low fuel level switch for the lamp to function. The local display shows *Fuel Level Low Shutdwn*.

Low Oil Pressure. The fault lamp illuminates red, the alarm horn sounds, and the unit shuts down because of low oil pressure. The shutdown occurs 5 seconds after the low pressure condition is detected. The low oil pressure shutdown does not function during first the 30 seconds after startup. The local display shows *Oil Press Low Shutdwn*.

MegaJector Communications Loss (GM/PSI and Doosan gas-powered models only). The fault lamp illuminates red, the alarm horn sounds, and the unit shuts down when the communication link is disrupted. The local display shows *MJ Comm Loss*.

Metering Communications Loss. The fault lamp illuminates red, the alarm horn sounds, and the unit shuts down when the metering to controller communication link is disrupted. The local display shows *MeterCommLos Shutdwn*.

No Coolant Temperature Signal. The fault lamp illuminates red, the alarm horn sounds, and the unit shuts down when the engine coolant temperature sender circuit is open. The local display shows *Temp Sig Loss Shutdwn*.

No Oil Pressure Signal. The fault lamp illuminates red, the alarm horn sounds, and the unit shuts down when the engine oil pressure sender circuit is open for more than 5 seconds. The local display shows *Press Sig Loss Shutdwn*.

Overcrank. The fault lamp illuminates red, the alarm horn sounds, and cranking stops when the unit does not start within the defined cranking period. The local display shows *Over Crank Shutdwn*. See the section titled: Auto Starting, and the section titled: Status Event and Fault Specifications for cyclic crank specifications.

Note:

The controller is equipped with an automatic restart function. When speed drops below 25 Hz (750 rpm) while the engine is running, the unit attempts to re crank. The unit then follows the cyclic cranking cycle and, when the engine fails to start, will shut down on an overcrank fault condition.

Overfrequency. The fault lamp illuminates red, the alarm horn sounds, and the unit shuts down when the frequency is above the overfrequency setting. The local display shows *Freq High Shutdwn*. See Figure 13.

Overfrequency Setting Range	Time Delay	Overfrequency Default Setting
102%- 140% of nominal	10 sec.	110% of nominal

Figure 13 Overfrequency Specs

Overvoltage (Each Phase). The fault lamp illuminates red, the alarm horn sounds, and the unit shuts down when the voltage exceeds the overvoltage setting for the preset time delay period. The local display shows *Volts (L1- L2, L2- L3, or L3- L1) High Shutdwn*. See Figure 142 for overvoltage specifications.

Note:

Overvoltage can damage sensitive equipment in less than one second. Install separate overvoltage protection on online equipment requiring faster than 2-second shutdown.

Overvoltage Setting Range	Time Delay	Overvoltage Default Setting
105%- 135% of nominal	2- 10 sec.	120% at 2 sec.

Figure 14 Overvoltage Specs

Run Relay Overload. The fault lamp illuminates red, the alarm horn sounds, and the unit shuts down when the controller smart switch that operates generator set wire number 70 (Run) is overloaded. The local display shows *Run Relay Overload*.

Underfrequency. The fault lamp illuminates red, the alarm horn sounds, and the unit shuts down when the frequency drops below the underfrequency setting. The local display shows *Frequency Low Shutdwn*. See Figure 15 for underfrequency specifications.

Underfreq. Setting Range	Time Delay	Underfrequency Default Setting
80%- 95% of nominal	10 sec. (short term)	90% of nominal

Figure 15 Underfrequency Specs

Note:

The long-term shutdown occurs if the frequency is 1 Hz or more below the system frequency for 60 sec. The long-term shutdown is not adjustable.

Undervoltage. The fault lamp illuminates red, the alarm horn sounds, and the unit shuts down when the voltage drops below the undervoltage setting for the time delay period. The local display shows *Volts (L1- L2, L2- L3, or L3- L1) Low Shutdwn*. See Figure 16 for undervoltage specifications

Undervoltage Setting Range	Time Delay Range	Undervoltage Default Setting
70%- 95% of nominal	5- 30 sec.	80% of nominal at 10 sec.

Figure 16 Undervoltage Specs

(Voltage) Regulator Communications Loss. The fault lamp illuminates red, the alarm horn sounds, and the unit shuts down when the voltage regulator to controller communication link is disrupted. The local display shows *RegCommLos Shutdwn*.

2.4.7 Status and Notice Digital Displays

Warnings and shutdown faults appear on the digital display and become part of the event history. Beyond the warnings and shutdowns there are several events which also appear on the digital display. Status is an event that is not an alert but is part of the event history. Notice is an alert that is not part of the event history.

The controller allows a selected number of changes by the user for setting up the controller application which are covered in this section.

Note:

Text shown in italics in this section of the manual represents digital display messages.

Alarm Silence. This status message indicates whether the alarm horn can be silenced in any button mode (OFF/RESET- AUTO-RUN) or requires the AUTO button be pressed first compliant per NFPA 110. Use SiteTech™ software to change this setting. See the section titled: Controller Resetting procedure, for information on resetting the system.

The local display shows *AlrmSilence: Always* when the alarm horn can be silenced with the master control buttons in any position (default setting).

The local display shows *AlrmSilence: Auto Only* when the alarm horn can be silenced only when in the AUTO mode.

Backup Parameters Loaded. This status message indicates that backup parameter firmware is now loaded on the controller using SiteTech™ software. The local display shows *Backup Pars Status*.

Chicago Code Active. This notice message indicates that the controller is locked in AUTO mode. This feature requires a digital input assigned to Chicago Code Active. A Kohler authorized distributor or dealer can use SiteTech™ software to assign a digital input to Chicago Code Active. When the digital input is active, the local display shows *Chicago Code Active*.

Emergency Power System (EPS) Supplying Load. This notice message indicates when the generator set supplies more than 1% of the rated standby output current. The local display shows *Emerg Pwr On Notice*.

Engine Cooldown (Delay) Active. This notice message indicates that the delay for engine cooldown is active where the generator set will continue to run after the OFF/RESET button is pressed. The unit will continue to run until the time delay times out. The local display shows *Eng Cooldown Notice*.

Engine Start Aid Active. This notice message indicates that the start aid is active and will energize an engine equipped preheat or ether system during the crank cycle. Use SiteTech™ software to set up this feature. The local display shows *Starting Aid Notice*.

Engine Start Delay Active. This notice message indicates that the delay for engine start is active where the generator set will not start right after the RUN button is pressed. The unit will start cranking after the time delay times out. The local display shows *Start Delay Notice*.

Engine Started. This status indicates that the generator set start circuit is closed allowing the engine to crank and run. The local display shows *Engine Start Status*.

Engine Stopped. This status indicates that the generator set start circuit is open causing the engine to shut down. The local display shows *Engine Stop Status*.

Generator Running. This notice indicates that the generator set has started and is running. The local display shows *Gen Running Notice*.

Generator Set Calibration (User Defined). This selectable display is in the GenSet Calibration Menu allowing the user to calibrate the controller and generator set. Use the Pushbutton/Rotary Selector Dial to navigate and select this feature.

Changes to this display must be done with the generator set running. The local display shows *Enter calib? No or Yes*. Select No to make no change. Select Yes to calibrate the following values:

- Volts L1- L2: x.x V
- Volts L2- L3: x.x V
- Volts L3- L1: x.x V
- Volts L1- N: x.x V
- Volts L2- N: x.x V

- Volts L3- N: x.x V
- Current L1: x.x A
- Current L2: x.x A
- Current L3: x.x A

The user can individually calibrate the values above or reset all of them. The local display *Reset all calib? No or Yes*. Select No to make no changes and exit GenSet Calibration. Select Yes to reset all of the values.

When calibrating voltage, the metered value and the number being entered as the calibrated value must be within 10% of the system operating voltage.

When calibrating current, the metered value must be at least 25% of the rated current on units smaller than 100 kW and at least 50 amps on units rated larger than 100 kW. The number being entered as the calibrated value must be within 10% of the metered value.

Measurement Units (User Defined). This selectable display is in the GenSet System Menu allowing the user to choose between Metric and English displays. Use the Pushbutton/Rotary Selector Dial to navigate and select this feature. Changes to this display can be done with the generator set running or stopped. The local display shows *Meas Units: Metric or Meas Units: English*.

NFPA 110 Alarm Active. This notice message indicates that the alarm for NFPA 110 is active. The fault lamp illuminates yellow (warning) or red (shutdown), the alarm horn sounds, and the units shuts down (if a shutdown fault is detected) when the NFPA 110 fault signals the controller. The local display shows the respective fault message. The NFPA 110 faults include:

- Battery charger fault
- EPS supplying load
- High battery voltage
- High coolant temperature shutdown
- High coolant temperature warning
- High engine speed
- Low battery voltage
- Low coolant level
- Low coolant temperature warning
- Low fuel (level or pressure)
- Low oil pressure shutdown
- Low oil pressure warning
- Master switch not in auto
- Overcrank

Remote Start. This status indicates that the generator set start circuit was closed from a remote location allowing the engine to crank and run. The remote location is typically a set of contacts on a transfer switch or remote start switch. The local display shows *Remote Start Status*.

System Ready. This status indicates that the generator set is in the AUTO mode and available to start if the start circuit is closed. The local display shows *System Ready*.

System Timer Failed. This notice indicates that the controller timer logic has failed to time out a designated function. The local display shows *Timer Error Notice*.

Voltage Regulator Adjustment (User Defined). This feature is in the Voltage Regulator Menu allowing the user to fine adjust the output voltage. Use the Pushbutton/Rotary Selector Dial to navigate and select this feature. Changes to this display must be done with the generator set running. The local display shows *Enter volt reg? No or Yes*. Select No to exit the voltage regulator menu. Select Yes to change the local display *VR Volt Adj: xxx.x V*.

2.4.8 Controller Resetting (Following System Shutdown or Warning)

Use the following procedure to restart the generator set after a system shutdown or to clear a warning lamp condition. This procedure includes the resetting of the optional remote annunciator.

Refer to the section titled: Emergency Stop Switch Reset Procedure, to reset the generator set after an emergency stop.

1. Disconnect the generator set load using the line circuit breaker or automatic transfer switch.
2. Correct the cause of the fault shutdown or warning. See the Safety Precautions and Instructions section of this manual before proceeding.
3. Start the generator set by pressing the generator set master control OFF/RESET button and then press the RUN button.
When equipped, the remote annunciator alarm horn sounds. Press the ALARM SILENCE/LAMP TEST button to stop the alarm horn. The lamp turns off.
4. Test operate the generator set to verify correction of the shutdown cause.
5. Press the generator set master control OFF/RESET button to stop the generator set.
6. Press the generator set master control AUTO button.
7. Reconnect the generator set load via the line circuit breaker or automatic transfer switch.

2.4.9 Powering up the Engine Control Module (ECM)

Adapted from Service Bulletin SB-724 10/12.

The Decision-Maker® 3000 controller (with firmware version 3.10 and higher) and the APM402 controller have the capability to power up the engine ECM. On generator sets with John Deere engines, the engine ECM power-up feature allows service technicians to access fault codes and other troubleshooting data using their John Deere Diagnostic tools *without* the need to start the generator set. Refer to Procedure for Powering Up the Engine ECM on the following pages.

If the Decision-Maker® 3000 generator set controller has a firmware version earlier than 3.10, there are two ways to power up the engine ECM without starting the generator set:

- Use SiteTech™ to power up the engine ECM. Refer to Procedure for Powering Up the Engine ECM using SiteTech™ for Firmware Versions Before 3.10 following.
- Update the firmware to version 3.10 or higher using a PC with SiteTech™ software. Access Service Support on the Kohler Power Resource Center (KPRC) for the firmware update. Refer to the SiteTech™ Software Operation Manual TP-6701 as needed.

Use the following information to determine the controller firmware version and perform the engine ECM power up procedure.

Procedure for Checking the Firmware Version

1. Confirm that a fully charged battery is connected to the generator set.
2. Press the generator set controller OFF/RESET key.
3. Momentarily press the selector dial to activate the digital display if dark.
4. Rotate the selector dial counterclockwise to navigate through the main menus to the Overview Menu as shown in Figure 17.



Figure 17 Overview Menu

5. Press the selector dial at the Overview Menu in order to access the Overview submenus.
6. Rotate the selector dial clockwise to navigate to the (firmware) SW Version submenu as shown in Figure 18



Figure 18 SW Version Submenu

7. For Decision-Maker® 3000 controllers, if the firmware version is earlier than 3.10, go to the Procedure for Powering Up the Engine ECM using SiteTech™. For Decision-Maker® 3000 controllers with firmware version 3.10 or higher, or for APM402 controllers, continue to Procedure for Powering Up the Engine ECM.

Procedure for Powering Up the Engine ECM

This procedure applies to Decision-Maker® 3000 controllers with firmware version 3.10 and higher and to APM402 controllers with firmware versions 1.0 and higher.

1. Navigate to the SW Version menu (Figure 19) as described in the previous procedure. Press and hold the selector dial until the display screen confirms that the ECM is powered as shown in Figure 20.

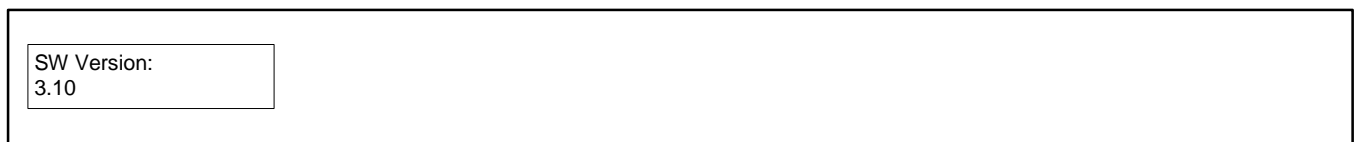


Figure 19 SW Version Submenu



Figure 20 ECM Powered Display

2. After several seconds, the display will change to provide the option to power down the controller. See Figure 21.



Figure 21 ECM Power Down Display

3. If desired, press the selector dial to power down the engine ECM.

OR

Rotate the selector dial to navigate to any of the available menus.

Procedure for Powering Up the Engine ECM using SiteTech™ (for Decision-Maker® 3000 controllers with Firmware Versions Before 3.10)

Connect a PC with SiteTech™ software to the generator set controller. Refer to the SiteTech™ Software Operation Manual TP-6701 as needed.

Follow the instructions shown in Figure 22.

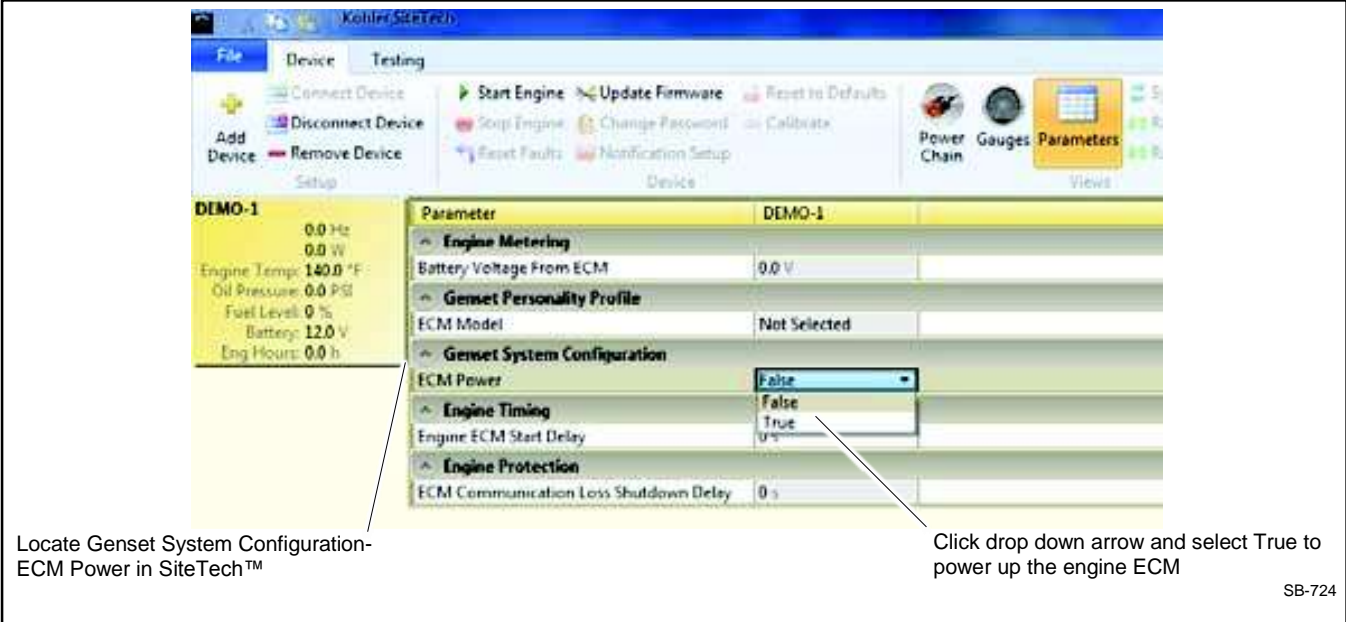


Figure 22 SiteTech™ Software Display Screen

2.5 Menu Displays

Use the Menu Summary List section after reading and understanding the features of the pushbutton/rotary selector dial. See the section titled: Graphical Display.

The Menu Summary List provide a quick reference to the digital display data. Some digital display data may not be identical to your display due to generator set application differences. The closed bullet items represent main level data and the open bullet items are sub-level data. The Menu Summary List indicates items that are user selectable. Use SiteTech™ software for changing programmable information.

Some displays are engine dependent; refer to the Appendix, Controller Displays from the Engine ECM.

See the section titled: Reviewing the Menu Displays, provides a digital display menu overview and explains the navigation using the pushbutton/rotary selector dial.

Menu Summary List (Legend: ● First level submenu, ○ second level submenu)

Overview Menu (DEC3000 before version 4.11)	Overview Menu (DEC3000 version 4.11 and APM402)	Generator Metering Menu	GenSet System Menu
Available as scrolling or fixed display text <ul style="list-style-type: none"> ● Active Shutdowns (if present) ● Active Warnings (if present) ● Genset State Average Volts Line-to-Line ● Frequency ● Current ● Average kW ● Coolant Temperature ● Oil Pressure ● Fuel Level % (with diesel-powered models and optional fuel tank sender) ● Fuel Pressure (engine dependent) ● Battery DC Voltage ● Engine Run Time ● Software Version 	Available as scrolling or fixed display text <ul style="list-style-type: none"> ● Active Shutdowns (if present) ● Active Warnings (if present) ● Genset State Average Volts Line-to-Line ● Frequency ● Current ● Average kW ● Coolant Temperature ● Oil Pressure ● Fuel Level % (with diesel-powered models and optional fuel tank sender) ● Fuel Pressure (engine dependent) ● Battery DC Voltage ● Engine Run Time ● Battery Charger Volts and Amps, CHG1 and CHG2 (with charger GM87448 only) ● Software Version 	<ul style="list-style-type: none"> ● Total Power kVA (shown as actual output values) Total Power kW (shown as actual output values) Rated Power ● Volts, L1- L2 * ● Volts, L2- L3 * ● Volts, L3- L1 * ● Volts, L1- N * ● Volts, L2- N * ● Volts, L3- N * ● Current, L1 * ● Current, L2 * ● Current, L3 * ● Frequency ● Reset Calibration (User can reset individual volt and current values or reset all values) 	<ul style="list-style-type: none"> ● System Frequency ● System Phase (Single Phase, Single Phase Dogleg, Three Phase Wye, or Three Phase Delta) ● System Volts ● Power Rating ● Amp Rating ● Power Type (Standby or Prime) ● Battery DC Voltage ● Measurement System (Metric or English) * ● Contrast (display) * ● Alarm Silence (Always or Auto Only) ● Manual Speed Adjust (available option)
		GenSet Information Menu <ul style="list-style-type: none"> ● Generator Set Model No. ● Generator Set Serial No. ● Controller Serial No. 	GenSet Calibration Menu (DEC3000 before version 3.0.25) <ul style="list-style-type: none"> ● Enter Calibration (Yes or No) * <ul style="list-style-type: none"> ○ Volts, L1- L2 ○ Volts, L2- L3 ○ Volts, L3- L1 ○ Volts, L1- N ○ Volts, L2- N ○ Volts, L3- N ○ Current, L1 ○ Current, L2 ○ Current, L3 ○ Reset Calibration ○ Reset All Calibration (Yes or No) ○ Exit Calibration
	Engine Metering Menu <ul style="list-style-type: none"> ● Engine Speed (Tachometer) ● Oil Pressure ● Coolant Temperature ● Fuel Level (with diesel-powered models and optional fuel tank sender) ● Battery DC Voltage ● Fuel Pressure (engine dependent) 	GenSet Run Time Menu <ul style="list-style-type: none"> ● Engine Run Time ● Engine Loaded ● Engine Starts ● Total Energy kWh 	

* User-Defined (changeable) Menu Displays. Use SiteTech™ software to change other settings including User-Defined Menu Displays.

NOTE:

Some changes require activating the calibration or adjustment mode. Some displays may only appear when in the calibration or adjustment mode. Refer to the section titled: Reviewing Menu Displays to activate the calibration or adjustment mode.

Menu Summary List Continued (Legend: ● First level submenu, ○ second level submenu)

Voltage Regulator Menu (DEC3000 before Version 3.0.25)	Digital Inputs Menu	Analog Inputs Menu	Event Log Menu
<ul style="list-style-type: none"> ● Enter Voltage Regulator? (Yes or No) * <ul style="list-style-type: none"> ○ Voltage Regulator Adjust ○ Exit Voltage Regulator 	<ul style="list-style-type: none"> ● DIn A1 ● DIn A2 ● DIn A3 (Reserved for Enclosure Temperature: High Shutdown on select Telecom units only) 	<ul style="list-style-type: none"> ● AIn A1 (factory reserved and not user programmable) ● AIn A2 ● AIn B1 (with I/O Board) ● AIn B2 (with I/O Board) 	<ul style="list-style-type: none"> ● See the section titled: Controller Fault Diagnostics for a list of items that can appear in Event Log
<p>Voltage Regulator Menu (DEC3000 Version 3.0.25 or higher, and APM402)</p>	<ul style="list-style-type: none"> ● DIn B1 (with I/O Board) ● DIn B2 (with I/O Board) 		<p>Volt Select Menu (DEC3000 Version 2.8.22 or higher, and APM402)</p> <ul style="list-style-type: none"> ● Volt Select: * <ul style="list-style-type: none"> ○ 120/240 V 1 Ph ○ 120/208 V 3 Ph ○ 139/240 V 3 Ph ○ 277/480 V 3 Ph ○ 120/240 V 3 Ph
<ul style="list-style-type: none"> ● Voltage Regulator Voltage Adjust * ● Reset Voltage Regulator Settings * <ul style="list-style-type: none"> ○ Reset Voltage Regulator? 	<p>Digital Outputs Menu</p> <ul style="list-style-type: none"> ● DOut A1 ● DOut B1 (with I/O Board) ● DOut B2 (with I/O Board) ● DOut B3 (with I/O Board) ● DOut B4 (with I/O Board) ● DOut B5 (with I/O Board) 	<p>Battery Charger 1 Menu</p> <ul style="list-style-type: none"> ● Output Volts ● Output Amps ● Charger State ● Software Version ● Reduced Out ● Temperature Compensation <p>Battery Charger 2 Menu</p> <ul style="list-style-type: none"> ● Output Volts ● Output Amps ● Charger State ● Software Version ● Reduced Out ● Temperature Compensation 	

* User-Defined (changeable) Menu Displays. Use SiteTech™ software to change other settings including User-Defined Menu Displays.

NOTE:

Some changes require activating the calibration or adjustment mode. Some displays may only appear when in the calibration or adjustment mode. Refer to the section titled: Reviewing Menu Displays to activate the calibration or adjustment mode.

2.6 Monitoring and Programming Setup

The user programmer can access the controller data with the controller digital display or a personal computer (PC) with optional SiteTech™ software to monitor and/or program. Access the controller system with a PC using a USB cable with a mini USB plug. Refer to the Introduction, List of Related Materials for related software literature.

While this manual focuses on data access through the controller pushbutton/rotary selector dial and display, most data entries require input using a PC for initial setup. The PC entries typically include alpha characters such as digital input descriptions.

2.6.1 PC Communications

Communicate between a PC and the generator set controller logic using USB communication protocol. The PC connections require optional SiteTech™ software. Contact your authorized distributor/dealer for assistance.

Local Single Connection

A PC connects to the USB port of the generator set controller using a mini USB connector. See Figure 23.

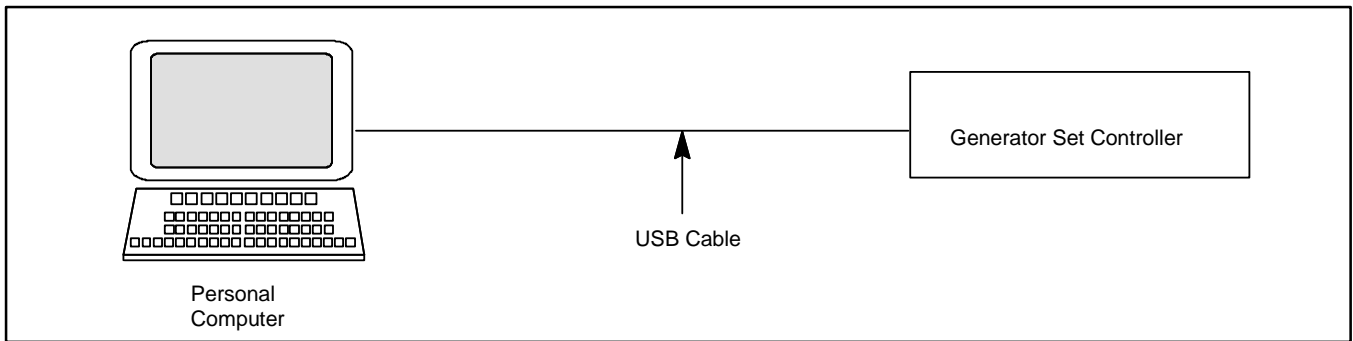


Figure 23 Local Single Connection

Remote Single Connection

A modem connects a PC to a single device. The PC communicates with the device via telephone line or an Ethernet network. See Figure 24.

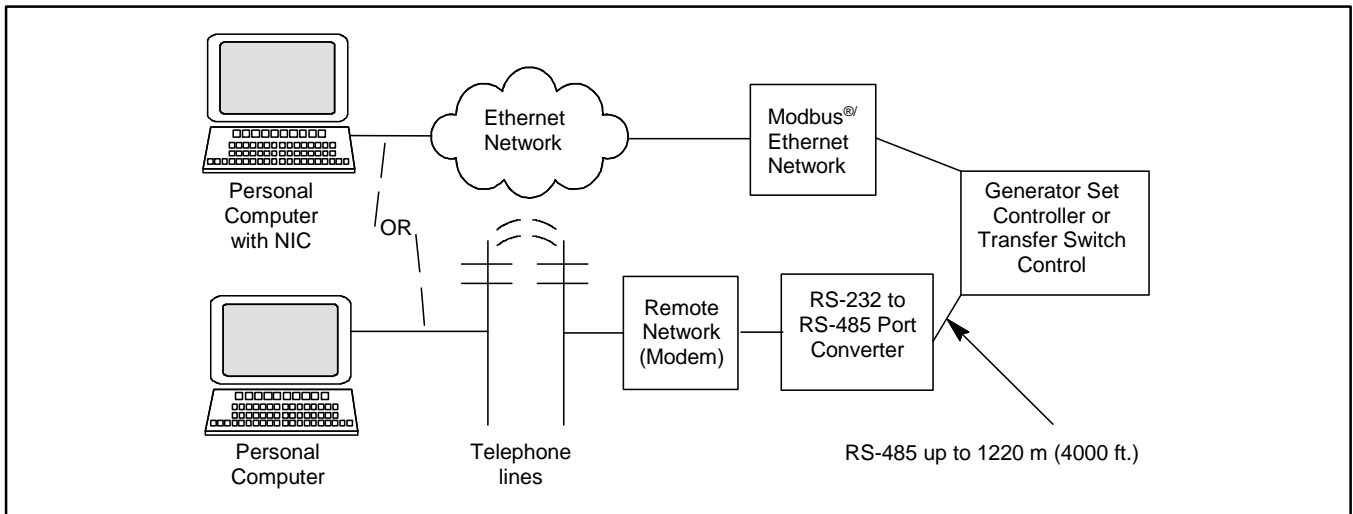


Figure 24 Remote Single Connection

2.6.2 Modbus® Communications

The controller communicates using Modbus® as a slave connection with the Modbus® master initiating the communication. The controller seeks the system and alternator parameters and diagnostic information then responds back to the Modbus® master. In addition, the controller accepts information to alter controller parameters including generator set starting and stopping. See Figure 25. Refer to the List of Related Materials for available Modbus® literature.

Note:

Only one Modbus® master can be connected to the controller. Examples include the remote serial annunciator and switchgear applications

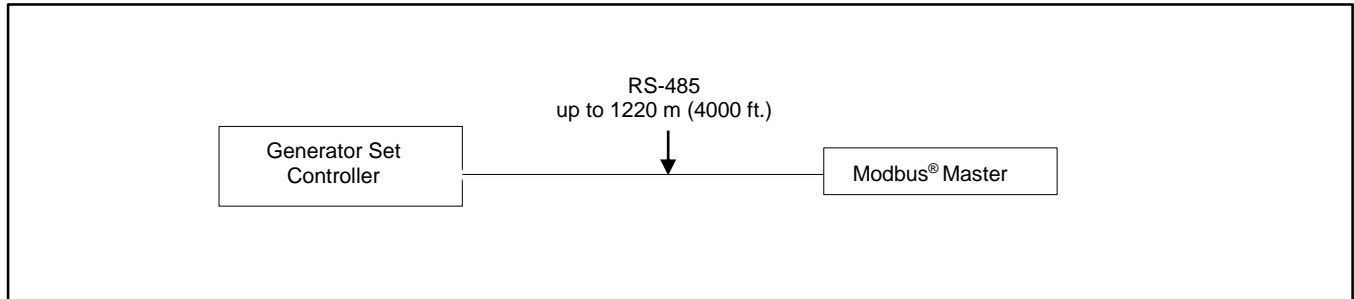


Figure 25 Modbus® Connections

2.7 Reviewing Menu Displays

Use this section to review a summary of the generator set controller data. See Figure 26 or Figure 27 for which menus provide data monitoring, data adjustments, or require SiteTech™ software to make data adjustments.

Use the pushbutton/rotary selector dial to navigate to the respective menus.

Menu Name	Controller Viewable	Controller Adjustable	SiteTech Adjustable
Overview	X		
Engine Metering	X		
Generator Metering	X		
GenSet Information	X		X
GenSet Run Time	X		
GenSet System	X	X	X
GenSet Calibration	X	X	
Voltage Regulation	X	X	X
Digital Inputs	X		X
Digital Outputs	X		X
Analog Inputs	X		X
Event Log	X		

Figure 26 Menu Displays for Viewing and Adjusting (DEC3000 Before Firmware Version 3.0.25)

Menu Name	Controller Viewable	Controller Adjustable	SiteTech Adjustable
Overview	X		
Engine Metering	X		
Generator Metering	X	X	
GenSet Information	X		X
GenSet Run Time	X		
GenSet System	X	X	X
Voltage Regulation	X	X	X
Digital Inputs	X		X
Digital Outputs	X		X
Analog Inputs	X		X
Event Log	X		
Volt Select	X	X	X*
* Requires initial activation using SiteTech™			

Figure 27 Displays for Viewing and Adjusting (DEC3000 Firmware Version 3.0.25 to 4.8.4)

Menu Name	Controller Viewable	Controller Adjustable	SiteTech Adjustable
Overview	X		
Engine Metering Menu	X		
Generator Metering	X	X	
GenSet Information	X		X
GenSet Run Time	X		
GenSet System	X	X	X
Voltage Regulation	X	X	X
Digital Inputs	X		X
Digital Outputs	X		X
Analog Inputs	X		X
Battery Charger 1	X		X
Battery Charger 2	X		X
Event Log	X		
Volt Select	X	X	X*
* Requires initial activation using SiteTech™			

Figure 28 Menu Displays for Viewing and Adjusting (DEC3000 Firmware Version 3.0.25 to 4.8.4)

See the section titled: Specifications and Features, to review set point ranges and default settings for comparison to the actual setup.

Menus displaying the # symbol represent one of the following data types:

- System-calculated data
- System-measured data
- User-entered data

Note:

The examples given on the following pages represent digital displays with the Measurement System set to English. Some displays are engine-dependent. Refer to the Appendix titled: Controller Displays from the Engine ECM.

2.7.1 Error Messages

Certain entries or attempted entries may cause the controller to display an error message. Some of the error messages shown here are also shown as part of the section titled: System Fault Warning Lamp with Digital Displays and the section titled: System Fault Shutdown Lamp with Digital Displays.

Cannot Calibrate appears when attempting to calibrate the voltage and current values in the GenSet Calibration menu with the unit stopped. The unit must be running in order to make adjustments.

Cannot Edit When Stopped appears in the Voltage Regulator menu when attempting to change the VR Volt Adj value when the unit is not running.

Default Parameters Loaded. The fault lamp illuminates yellow and the alarm horn sounds when the controller detects that the default parameter settings were loaded using SiteTech™ software. The local display shows *Default Pars Warning*.

ECM Address Conflict. The fault lamp illuminates red, the alarm horn sounds, and the unit shuts down when the controller detects an error with the ECM address. The local display shows *ECMAddr Err Shutdwn*.

ECM Model Mismatch. The fault lamp illuminates red, the alarm horn sounds, and the unit shuts down when the controller detects an error with the ECM model. The local display shows *ECM Mismatch Shutdwn*.

File System Error. The fault lamp illuminates red, the alarm horn sounds, and the unit shuts down when the internal controller diagnostics detect a firmware file error. The local display shows *File Error Shutdwn*.

Max Alternator Current Low. The current value listed in the maximum alternator current personality parameter is too low compared to the kW setting within the personality.

2.7.2 Overview

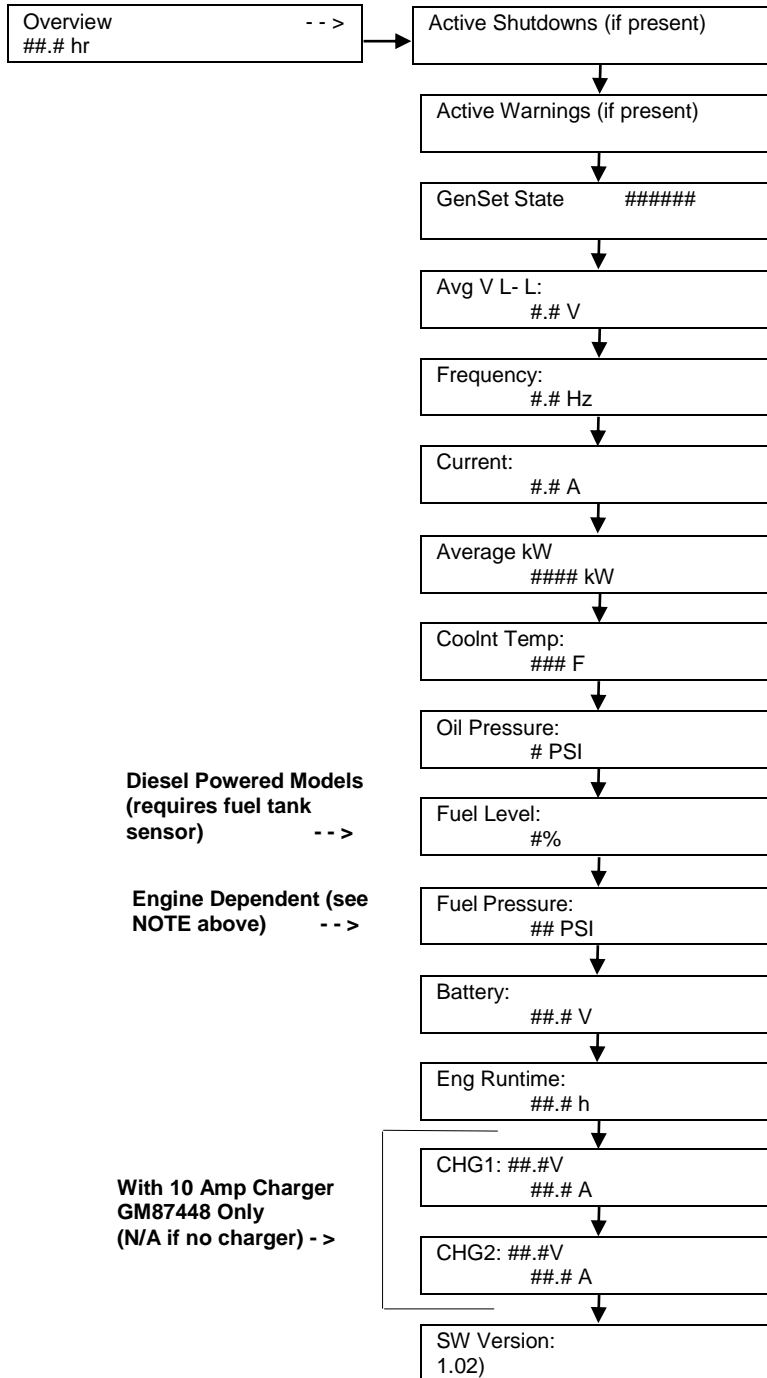
Displays basic and commonly sought after information about the generator set. This information scrolls automatically after about 5 minutes of no user input (pushbutton/rotary selector dial or button activity).

To change from auto scrolling to fixed display, press the rotary dial and the main menu will appear. Press the rotary dial again to select the first menu item Overview. Turn the rotary dial to select the desired fixed view.

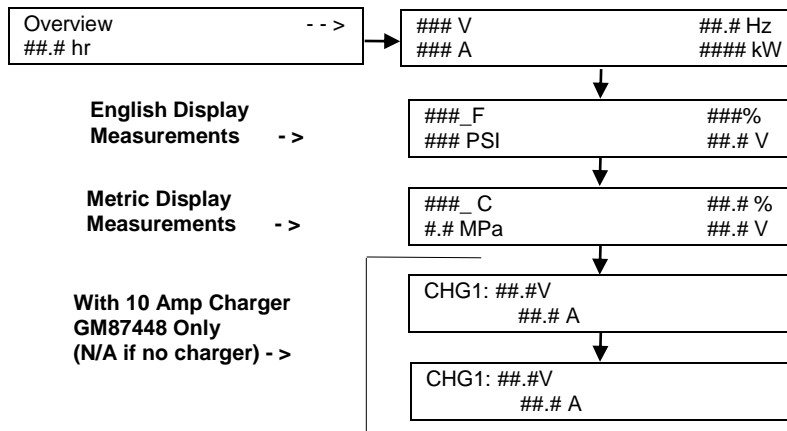
Note:

Some displays are engine dependent; refer to the Appendix titled: Controller Displays from the Engine ECM.

Overview (Auto Scrolling Display)



Overview (Fixed Display)



The battery charger displays appear only if the CAN-enabled 10 amp charger GM87448 has been connected. Charger displays will show N/A if the charger is connected and then removed.

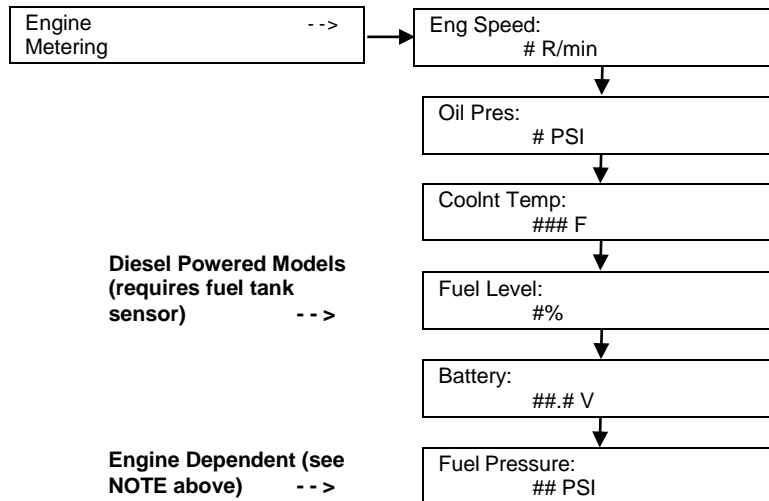
2.7.3 Engine Metering

Displays engine operating data as measured by the engine and other sensors.

Note:

Some displays are engine dependent, refer to the Appendix titled: Controller Displays from the Engine ECM.

Engine Metering



2.7.4 Generator Metering (and Calibration)

Displays generator output data including line-to-line and line-to-neutral voltages, current, frequency, total kilowatts, and total kVA. The menu displays three-phase voltage and current readings when applicable.

All menu displays apply to both single-phase or three-phase voltages on the menu overview. The phase designation does not appear in the controller menu displays. Some displays will show 0 values when single-phase connections are shown.

Note:

For Decision-Maker[®] 3000 controllers with firmware versions before 3.0.25, see the section titled: GenSet Calibration, for generator calibration.

Display also provides access to the calibration factors for metering (volts and amps). Changing the system voltage or replacing the main logic control circuit board requires calibration adjustment. Connect a meter with a minimum accuracy of 1% to the generator set output leads to calibrate the voltage-sensing logic.

To enable calibration, start the generator set and select the *Volts L1-L2 display*. Then push and hold the pushbutton/rotary selector dial until the *Calibration Enabled* popup appears. Calibration of each display is now available. The display will show the following values for three-phase generator sets. Single-phase generator sets will only display items marked (*).

- Volts L1-L2 *
- Volts L2-L3
- Volts L3-L1
- Volts L1-N *
- Volts L2-N *
- Volts L3-N
- Current L1 *
- Current L2 *
- Current L3

The user can change individual values or can select *Reset Calib?*- Yes to reset all voltage and current values. The *Reset Calib?* display will only show if calibration is enabled.

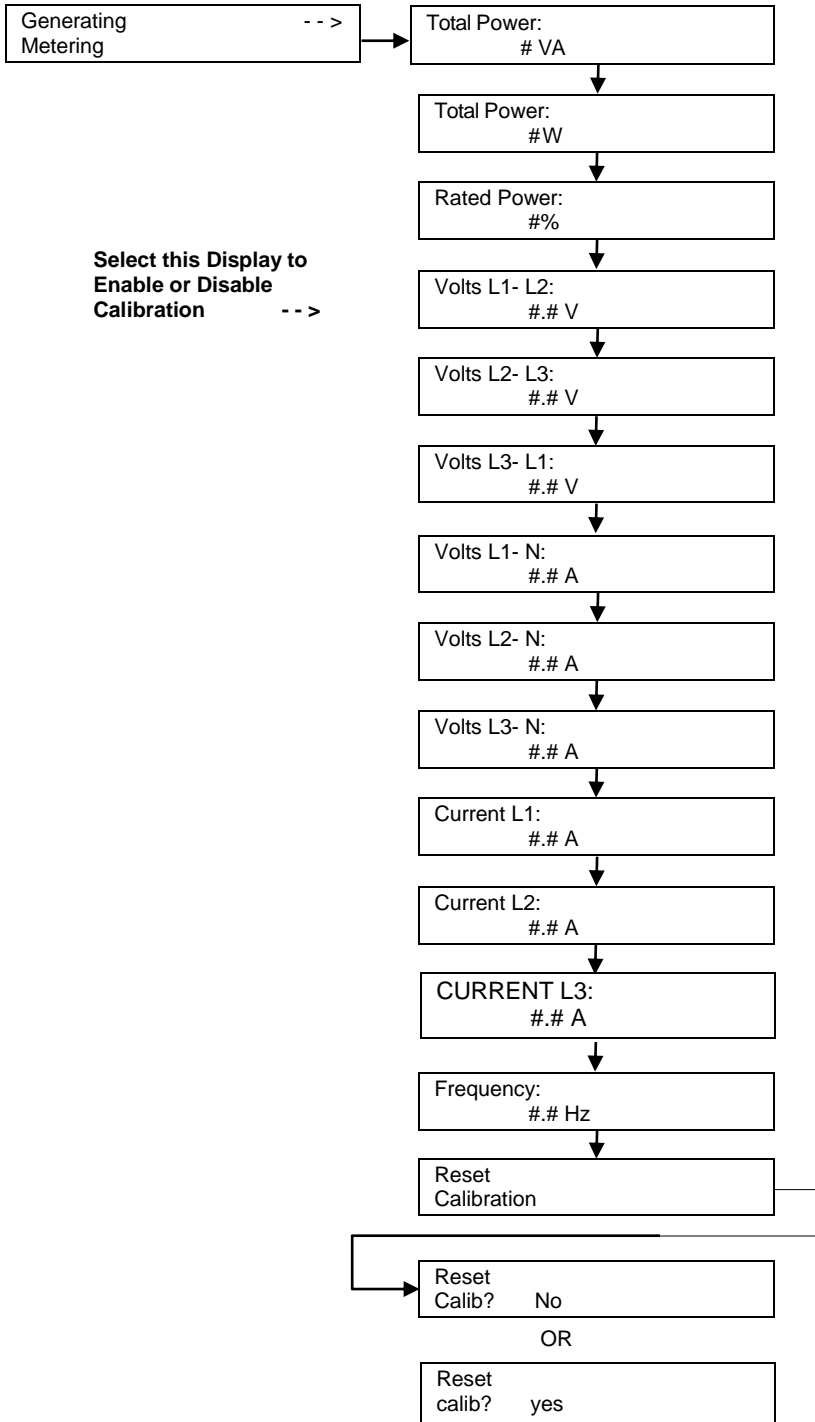
When calibrating voltage, the metered value and the number being entered as the calibrated value must be within 10% of the system operating voltage.

When calibrating current, the metered value must be at least 25% of the rated current on units smaller than 100 kW and at least 50 amps on units rated larger than 100 kW. The number being entered as the calibrated value must within 10% of the metered value.

To disable calibration, Rotate the pushbutton/rotary selector dial until the *<- Return* popup appears.

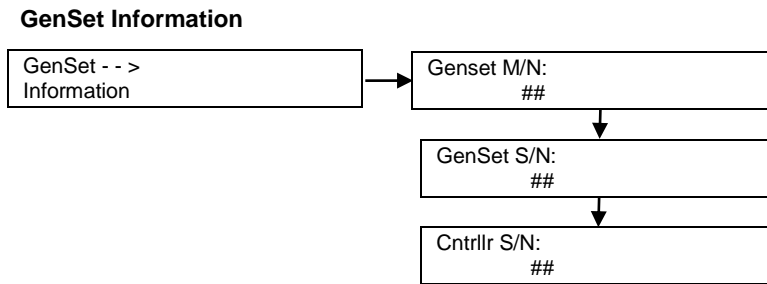
Momentarily press the pushbutton/rotary selector dial. Stop the generator set if not already done.

Generator Metering



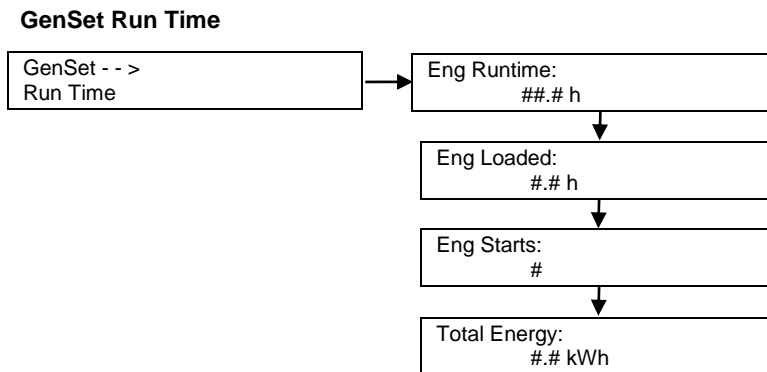
2.7.5 GenSet Information

Displays generator set and controller information. Displayed data is factory entered.



2.7.6 GenSet Run Time

Displays the generator set's operating record including total run time loaded and unloaded, number of starts, and total energy kW hours



2.7.7 GenSet System

Display shows the generator set system data including voltage, frequency, phase connection, etc. Use the values entered in this menu to help determine shutdown values and time delays.

The programming user defines the data shown in the GenSet System menu. It is NOT data measured by the controller and associated sensing devices. The programming user defines these values for purposes of calibrating the control.

Some alternators are designed to operate at limited voltage, frequency, or phase connections and as a result some settings may have limited parameters:

Display for Measurement System is user selectable as English or Metric.

Contrast display is user adjustable to help improve digital display visibility in dimly lit rooms or in direct sunlight.

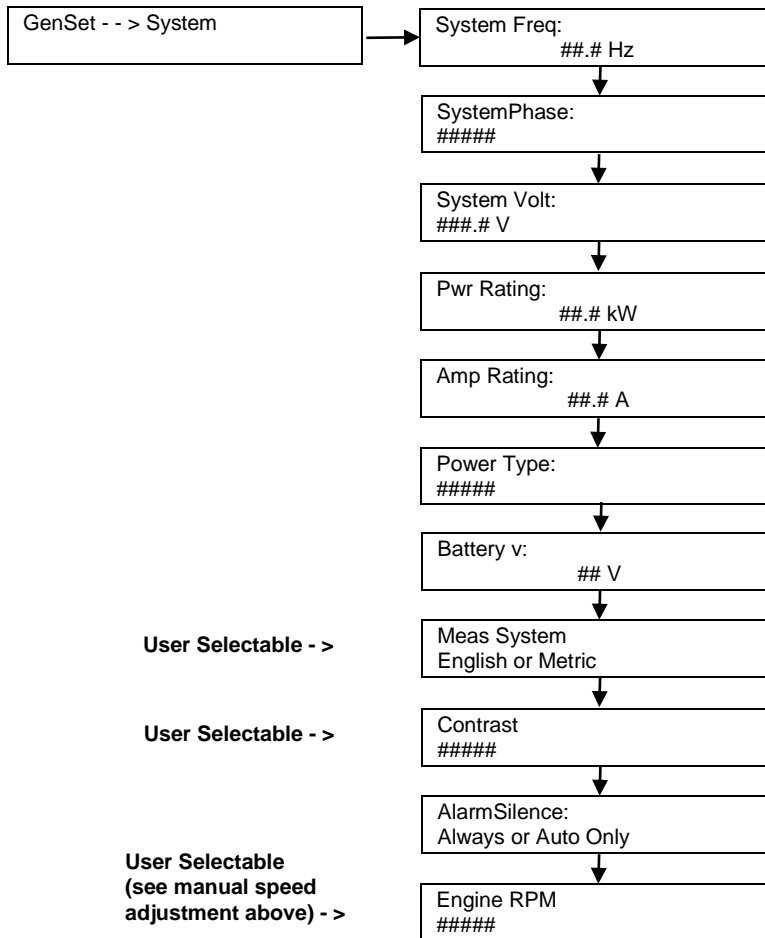
Note:

The contrast feature is a controller hardware change and may not be available on older units even if the firmware is updated.

The alarm (horn) silence display is programmer selectable to Always or Auto Only using SiteTech™ software. The Always selection allows the alarm to be silenced in any of the OFF/RESET- AUTO- RUN modes. The Auto Only selection allows silencing of the alarm only while in the Auto mode.

The **manual speed adjustment** is made using the Engine RPM menu. This feature is available as a factory-installed option or requires a new factory personality profile. Adjustments can be made while the unit is running or stopped. To make adjustments, press and hold the selector dial and the RPM display will start to flash. Then rotate the selector dial to the desired RPM and press and hold the selector dial until the RPM display stops flashing. The adjustment range is 1751-1849 RPM (58-62 Hz) for 60 Hz and 1451-1549 RPM (48-52 Hz) for 50 Hz.

GenSet System



2.7.8 GenSet Calibration

This menu is only available in Decision-Maker[®] 3000 controllers with firmware versions before 3.0.25. Go to Generator Metering Menu—Reset Calibration with controller firmware version 3.0.25 or higher.

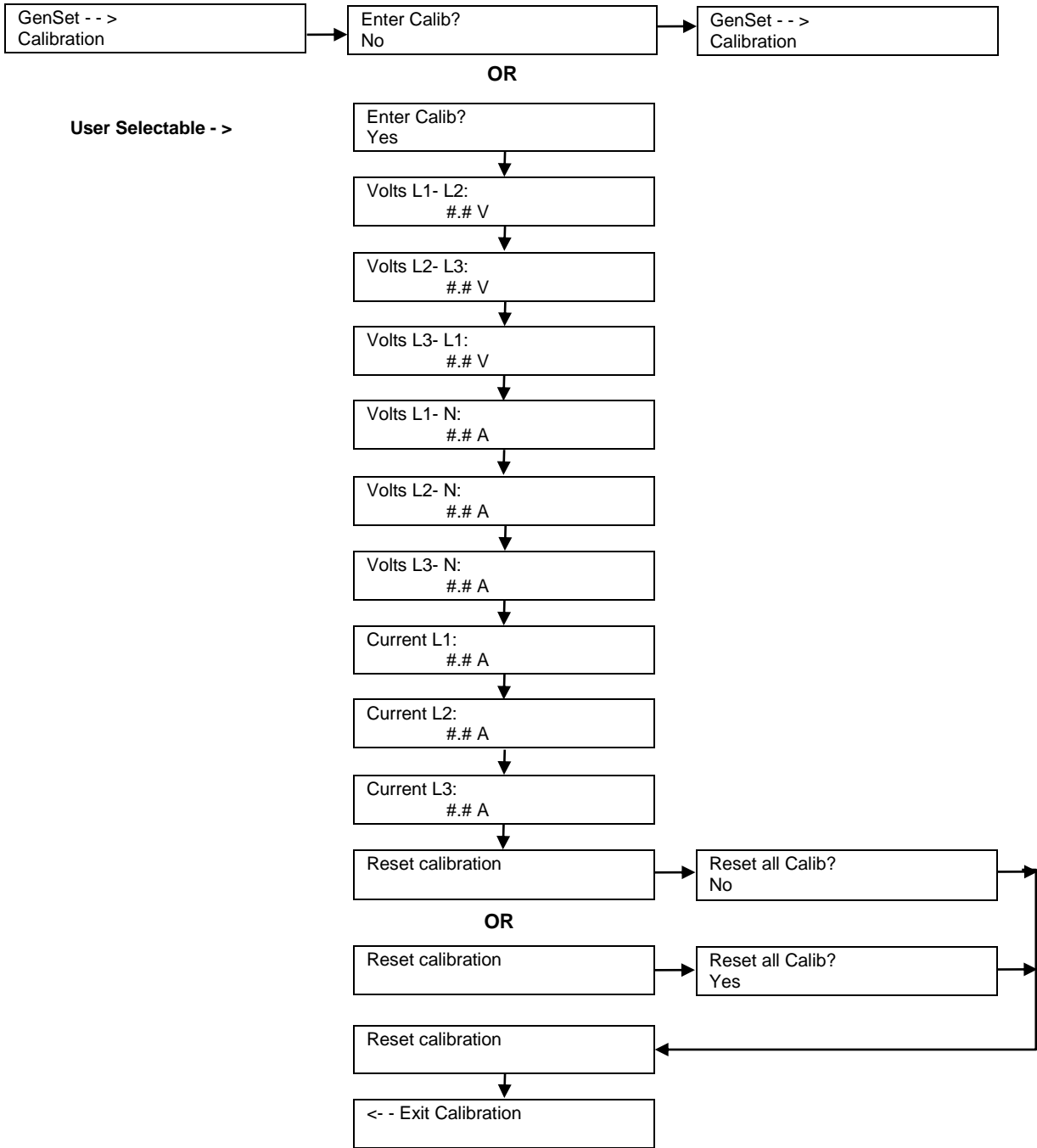
Display provides access to the calibration factors for metering (volts and amps). Changing the system voltage or replacing the main logic control circuit board requires calibration adjustment. Connect a meter with a minimum accuracy of 1% to the GenSet output leads to calibrate the voltage-sensing logic.

The user can individually calibrate the values or reset all of them. The local display Reset all calib? No or Yes. Select No to make no changes and exit GenSet Calibration. Select Yes to reset all of the values.

When calibrating voltage, the metered value and the number being entered as the calibrated value must be within 10% of the system operating voltage.

When calibrating current, the metered value must be at least 25% of the rated current on units smaller than 100 kW and at least 50 amps on units rated larger than 100 kW. The number being entered as the calibrated value must be within 10% of the metered value.

GenSet Calibration



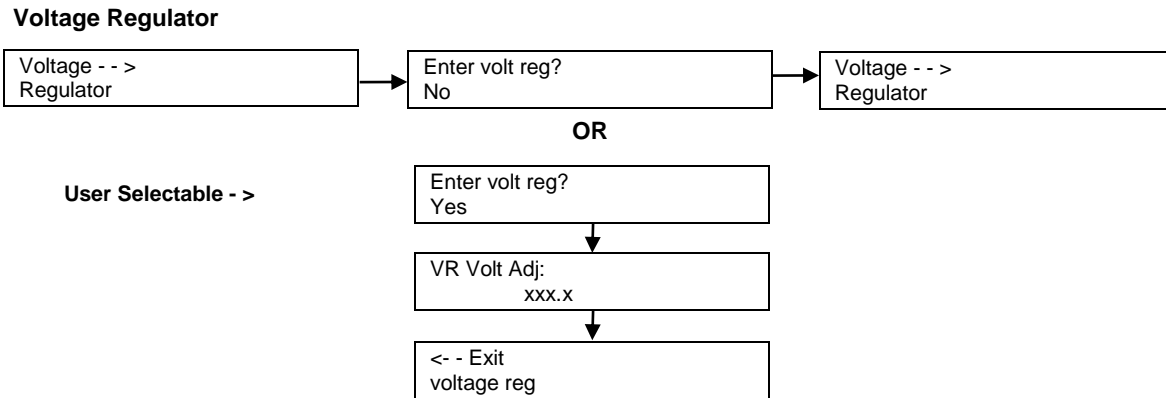
2.7.9 Voltage Regulator

Decision-Maker® 3000 Controllers with Firmware Versions Before 3.0.25.

Displays the voltage regulator adjustment value. All other voltage regulator adjustments are changed using SiteTech™ software.

The voltage regulator value is reviewable at all times. In order to review the value when the generator set is NOT running, enter Yes when the Enter volt reg? is displayed. The user can review the value but attempting to change the value will cause a Cannot edit when stopped error message.

If the unit is running and Yes is entered when the Enter volt reg? is shown, the display will show the value. The user can change the value at this time.



Decision-Maker® 3000 Controllers with Firmware Version 3.0.25 or Higher, or APM402 Controllers.

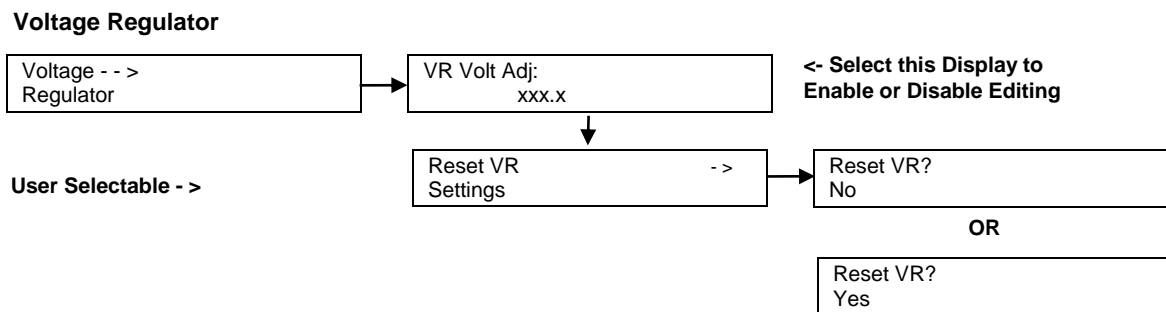
Displays the voltage regulator adjustment value. All other voltage regulator adjustments are changed using SiteTech™ software.

The voltage regulator value is reviewable at all times and provides the ability to fine adjust voltage. Changing the system voltage or replacing the circuit board typically requires a voltage adjustment.

To enable calibration, start the generator set and select the *VR Volt Adj display*. Then push and hold the pushbutton/rotary selector dial until the *Editing Enabled* popup appears. Editing of the voltage adjustment is now available.

The user can change the individual value or can select *Reset VR?*- Yes to reset to the default value. The *Reset VR Settings* display will only show if editing is enabled.

To disable calibration, Rotate the pushbutton/rotary selector dial until the <- *Return* popup appears. Momentarily press the pushbutton/rotary selector dial. Stop the generator set if not already done.



2.7.10 Digital Inputs

Displays the selected programming user-defined digital notice, warning, and shutdown inputs. These inputs provide a multitude of choices for configuring customized auxiliary inputs. See Figure 29 for a list of digital input choices. For descriptions of the inputs listed refer to the following sections:

- System Fault Warning Lamp with Digital Displays
- System Fault Shutdown Lamp with Digital Displays
- Status and Notice Digital Displays

There is an optional 2 input/5 output (I/O) module board available that can provide two additional digital (or analog) inputs.

The displays for digital inputs appear as shown below with Values true or false. Items shown in the display as True are active.

- DIn A1 (digital input A1) standard
- DIn A2 (digital input A2) standard
- DIn A3 (digital input A3) standard (see note below)
- DIn B1 (digital input B1) with I/O module board
- DIn B2 (digital input B2) with I/O module board

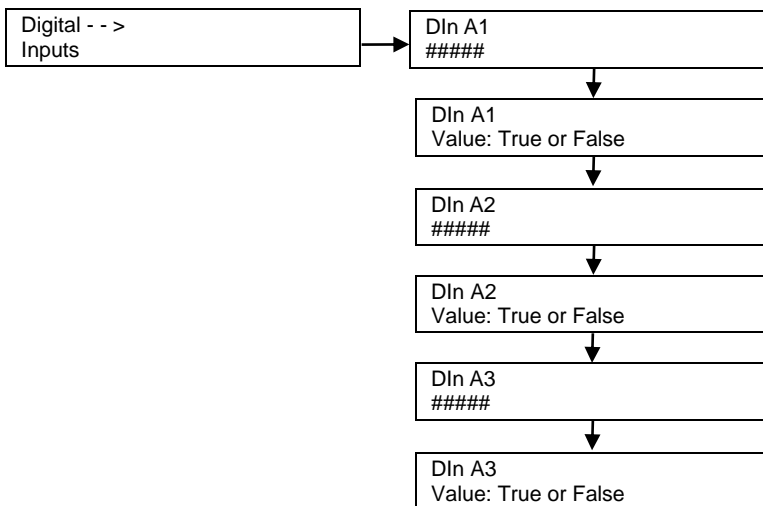
All digital input selection and setup adjustments are done using SiteTech™ software. The following terms and descriptions are part of the setup procedure.

Note:

DIn A3 digital input is factory reserved for Enclosure Temperature: High Shutdown on select Telecom units.

- **Enabled.** This menu indicates whether or not the input is enabled. If the input is not enabled, the controller will ignore this input signal
- **Inhibit Time Delay.** The inhibit time delay is the time period following crank disconnect during which the generator set stabilizes and the controller does not detect the fault or status event. The controller will ignore the input until the inhibit time expires. If the inhibit time is set to zero, the input is monitored at all times, even when the generator is not running. The inhibit time delay range is from 0 to 60 seconds.
- **Time Delay (shutdown or warning).** The time delay follows the inhibit time delay. The time delay is the time period between when the controller first detects the fault or status event and the controller warning or shutdown lamp illuminates. The delay prevents any nuisance alarms. The time delay range is from 0 to 60 seconds.

Digital Inputs



Analog and Digital Inputs	Notice	Warning	Low Warning	High Warning	Critical High Warning	Shutdown	Low Shutdown	High Shutdown
Auxiliary Input		AD				AD		
Battery Charger Fault		AD						
Chicago Code Active	AD							
Enclosure Temperature: High Shutdown (Din A3)						D		
Engine Fuel Level			AD	D	D		D	
Fuel Tank Leak		AD				D		
Ground Fault		AD						
Low Engine Oil Level			AD				D	
Low Fuel Pressure			AD					

Figure 29 Analog and Digital Inputs

2.7.11 Digital Outputs

Displays the selected programming user-defined digital notice, warning, and shutdown outputs. These outputs provide a multitude of choices for configuring customized auxiliary outputs. See Figure 29 for a list of digital output choices. For descriptions of the outputs listed refer to the following sections:

- System Fault Warning Lamp with Digital Displays
- System Fault Shutdown Lamp with Digital Displays
- Status and Notice Digital Displays

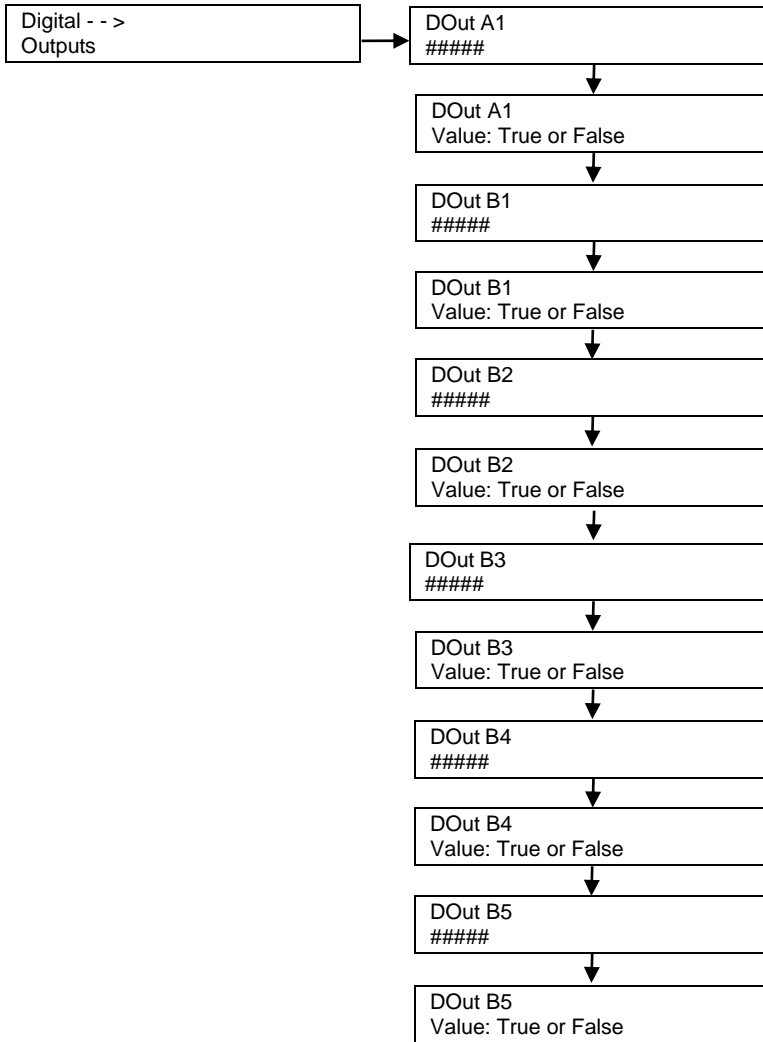
There is an optional 2 input/5 output (I/O) module board available that can provide five additional digital outputs.

The displays for digital outputs appear as shown below with Values true or false. Items shown in the display as True are active.

- DOut A1 (digital output A1) standard
- DOut B1 (digital output B1) with I/O module board
- DOut B2 (digital output B2) with I/O module board
- DOut B3 (digital output B3) with I/O module board
- DOut B4 (digital output B4) with I/O module board
- DOut B5 (digital output B5) with I/O module board

Use SiteTech™ software for digital output selection and setup adjustments. Each output is tied to a user-selectable function. The function can be a common fault, common warning, NFPA 110 alarm active, or a specific warning or shutdown.

Digital Outputs



Digital Outputs	Notice	Warning	Low Warning	High Warning	Critical High Warning	Shutdown	No Signal Shut-down	Low Shut-down	High Shut-down
AC Sensing Lost		X				X			
Alternator Protection						X			
Auxiliary Input		X				X			
Battery Charger Fault		X*							
Battery Voltage			X*	X*					
Chicago Code Active	X								
Common Fault	X								
Common Warning	X								
Cranking Voltage			X						
ECM Comm Loss						X			
Emergency Stop						X			
Engine Coolant Level								X*	
Engine Coolant Temperature			X*	X*			X*	X*	X*
Engine Cooldown Active	X								
Engine Fuel Level			X*	X*	X*			X*	
Engine Oil Level			X					X	
Engine Oil Pressure			X*				X*	X*	
Engine Speed								X	X*
Engine Start Aid Active	X								
Engine Start Delay Active	X								
EPS Supplying Load	X								
Fuel Pressure			X*						
Fuel Tank Leak		X				X			
Generator Frequency Average								X	X
Generator Running	X								
Generator True Total Power									X
Generator Voltage L1- L2								X	X
Generator Voltage L2- L3								X	X
Generator Voltage L3- L1								X	X
Ground Fault		X							
Locked Rotor						X			
NFPA 110 Alarm Active	X								
Not In Auto		X*							
Overcrank						X*			
Speed Sensor Fault		X							
System Ready	X								

* NFPA 110 Defined Common Alarms

Figure 30 Digital Outputs with NFPA 110 Defined Common Alarms

2.7.12 Analog Inputs

Displays the selected programming user-defined analog notice, warning, and shutdown inputs. These inputs provide a multitude of choices for configuring customized auxiliary inputs. See the figure titled: Analog and Digital Inputs for a list of analog input choices. For descriptions of the inputs listed refer to the following sections:

- System Fault Warning Lamp with Digital Displays
- System Fault Shutdown Lamp with Digital Displays
- Status and Notice Digital Displays

There is an optional 2 input/5 output (I/O) module board available that can provide two additional analog (or digital) inputs.

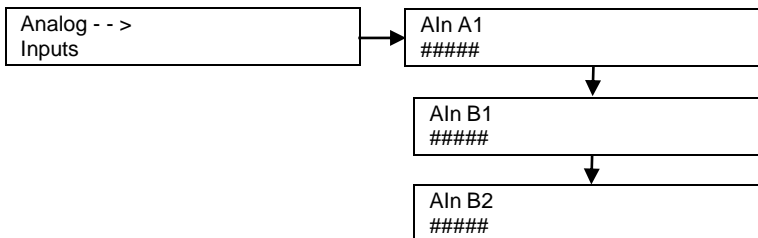
The displays for analog inputs appear as shown below and have an acceptable operating range (0-5 VDC). The analog input selection typically requires entering four values—low warning, high warning, low shutdown, and high shutdown.

- AIn A1 (analog input A1) standard (reserved and not user programmable)
- AIn A2 (analog input A2) standard (Identified as A1 on SiteTech™ software)
- AIn B1 (analog input B1) with I/O module board
- AIn B2 (analog input B2) with I/O module board



All analog input selection and setup adjustments are done using SiteTech™ software. The following terms and descriptions are part of the setup procedure.

- **Enabled.** This menu indicates whether or not the input is enabled. If the input is not enabled, the controller will ignore this input signal.
- **Inhibit Time Delay.** The inhibit time delay is the time period following crank disconnect during which the generator set stabilizes and the controller does not detect the fault or status event. The controller will ignore the input until the inhibit time expires. If the inhibit time is set to zero, the input is monitored at all times, even when the generator is not running. The inhibit time delay range is from 0 to 60 seconds.
- **Time Delay (shutdown or warning).** The time delay follows the inhibit time delay. The time delay is the time period between when the controller first detects the fault or status event and the controller warning or shutdown lamp illuminates. The delay prevents any nuisance alarms. The time delay range is from 0 to 60 seconds.

Analog Inputs



2.7.13 Battery Charger 1 and 2

 WARNING	<p>Explosion. Can cause severe injury or death. Relays in the battery charger cause arcs or sparks.</p> <p>Locate the battery in a well-ventilated area. Isolate the battery charger from explosive fumes.</p>
	

Battery gases. Explosion can cause severe injury or death. Incorrect use of the equalize charge state may lead to hazardous situations. Equalization is ONLY applicable for flooded lead acid (FLA) type batteries and will damage gel, absorbed glass mat (AGM), or nickel-cadmium (NiCad) type batteries. In the controller menu or SiteTech™ settings, verify that the battery topology is set correctly for the battery type used. Do not smoke or permit flames, sparks, or other sources of ignition to occur near a battery at any time.

Battery charger menus are available on Decision-Maker® 3000 Controllers with controller firmware version 4.8.4 and higher, and on APM402 controllers.

Battery Charger 1 and 2 menus provide battery charger information and metering. Use this menu to view the charger output metering and charger states.

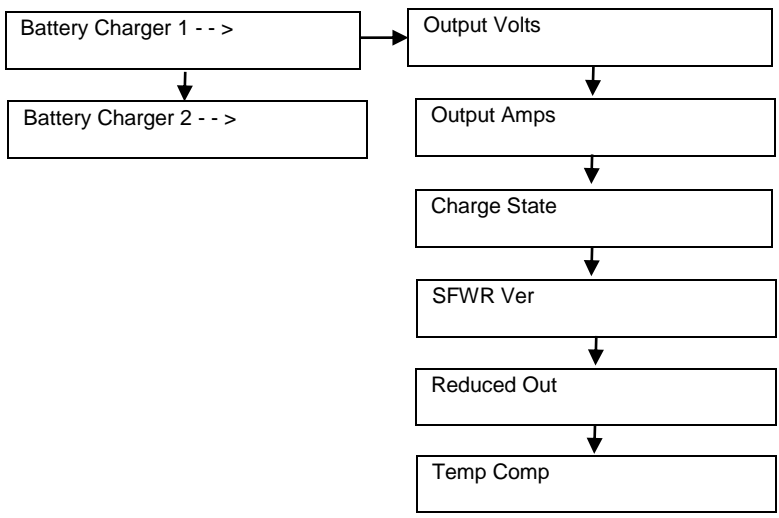
Note:

Incorrect charger output system voltage may cause irreversible damage to the battery and abnormal out gassing. Ensure that the battery charger parameters match the battery manufacturer’s specifications before using. In the controller user interface settings, verify that the battery topology and system voltage is set correctly for the battery type that is used.

Note:

The battery charger menus are designed to work with charger GM87448. Unless connected to charger GM87448 through CAN communication, the battery charger menus, although visible, have no effect on the battery charger.

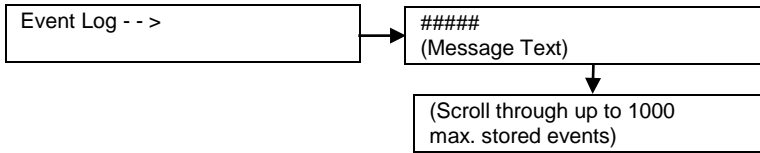
Battery Charger 1 and 2



2.7.14 Event Log

Displays up to 1000 stored status, warning, and shutdown events. After the first 1000 events, each additional new event replaces the oldest event. See the section titled: Controller Fault Diagnostics for a list of possible events.

Event Log



2.7.15 Volt Select

This menu is not available on Decision-Maker[®] 3000 Controllers with firmware versions before 2.8.22.

This menu allows the user to readily change controller voltage settings. The volt select feature is typically used in towable or temporary applications.

NOTICE

Voltage reconnection. Affix a notice to the generator set after reconnecting the set to a voltage different from the voltage on the nameplate. Order voltage reconnection decal 246242 from an authorized service distributor/dealer.

Note:

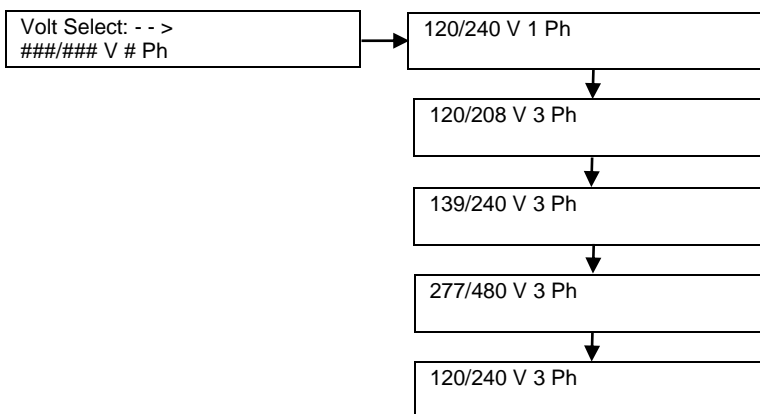
The volt select menu requires initial activation by SiteTech[™] software. In SiteTech[™] software, select True to activate the volt select menu.

Note:

The generator set output leads require voltage reconnection if the generator set does not have a voltage selector switch installed.

With the generator set stopped, go to the Volt Select menu. Then push and hold the pushbutton/rotary selector dial until the voltage selection starts to flash. Volt selection is now available. Scroll to the desired voltage and momentarily press the pushbutton/rotary selector dial to confirm the voltage selection.



Volt Select





Section 3. Scheduled Maintenance

Under normal operating conditions, the generator set's alternator requires no routine service.



Consult the section titled: Prestart Checklist, for a list of routine checks.

 WARNING	Accidental starting. Can cause severe injury or death.
	Disconnect the battery cables before working on the generator set. Remove the negative (-) lead first when disconnecting the battery. Reconnect the negative (-) lead last when reconnecting the battery.

Disabling the generator set. Accidental starting can cause severe injury or death. Before working on the generator set or equipment connected to the set, disable the generator set as follows: (1) Move the generator set master switch to the OFF position. (2) Disconnect the power to the battery charger. (3) Remove the battery cables, negative (-) lead first. Reconnect the negative (-) lead last when reconnecting the battery. Follow these precautions to prevent starting of the generator set by an automatic transfer switch, remote start/stop switch, or engine start command from a remote computer.

 WARNING	Hot engine and exhaust system. Can cause severe injury or death.
	Do not work on the generator set until it cools.

Servicing the exhaust system. Hot parts can cause severe injury or death. Do not touch hot engine parts. The engine and exhaust system components become extremely hot during operation.

 DANGER	Hazardous voltage. Moving parts. Will cause severe injury or death.
	Operate the generator set only when all guards and electrical enclosures are in place.

Servicing the generator set when it is operating. Exposed moving parts will cause severe injury or death. Keep hands, feet, hair, clothing, and test leads away from the belts and pulleys when the generator set is running. Replace guards, screens, and covers before operating the generator set.

3.1 Alternator Service

When operating the generator set under dusty or dirty conditions, use dry compressed air to blow dust out of the alternator while the generator set is running. Direct the stream of air through openings in the generator set end bracket.

3.2 Engine Service

Perform engine service at the intervals specified in the engine manufacturer's service literature. Contact an authorized service distributor/dealer to obtain service literature.

Note:

Have maintenance work, including battery service, performed by appropriately skilled and suitably trained maintenance personnel familiar with generator set operation and service.

Kohler recommends the use of Kohler Genuine oil and filters for maintenance and service.

3.3 Service Schedule

System—Component	Action					Interval
	Visually Inspect	Check	Change	Clean	Test	
Fuel System						
Day tank level	X	X				Weekly
Flexible lines and connections	X		R			Weekly
Fuel level switch	X				X	Weekly
Main tank supply level		X				Weekly
Solenoid valve operation	X				X	Weekly
Transfer pump operation	X				X	Weekly
Water in system, remove		•		•		Weekly
Filter(s)			•			Refer to engine operation manual.
Fuel piping	X					Yearly
Tank vents and return lines for obstructions		X				Yearly
Lubrication System						
Oil level	•	•				Weekly
Crankcase breather	•		•			Quarterly
Change oil			•			Refer to engine operation manual.
Replace filter(s)*			•			
Cooling System						
Air cleaner to room/enclosure		X				Weekly
Block heater operation		X				Weekly
Coolant level	•	•				Weekly
Flexible hoses and connectors	X	X				Weekly
Water pump(s)	•					Weekly
Fan and alternator belts	•	•	R			Monthly
Coolant temperature protection level					•	Six Months
Air ducts, louvers		X		X		Yearly
Coolant			•			Yearly
Heat exchanger				X		Yearly
Louver motors and controls	X			X	X	Yearly
Radiator exterior				X		Yearly
Water supply to heat exchanger		X				Yearly
Exhaust System						
Drain condensate trap		X				Weekly
Leakage	X	X				Weekly
Insulation, fire hazards	X					Quarterly
Flexible connector(s)	X					Six Months
Excessive back pressure					X	Yearly
Hangers and supports	X					Yearly
DC Electrical System						
Battery charger operation, charge rate	X					Monthly
Battery electrolyte level		X				Monthly
Battery specific gravity, charge state					X	Monthly
Recharge after engine start		X				Monthly
Remove corrosion, clean and dry battery and rack	X			X		Monthly
Clean and tighten battery terminals	X	X				Quarterly
Tighten DC electrical connections		X				Six Months
<ul style="list-style-type: none"> • Follow procedures and frequencies indicated in the engine manufacturer's maintenance manual. If not indicated, follow this service schedule. Some items may not apply to all generator sets. R Replace as necessary. X Action * Service more frequently if operated in dusty areas. 						

System—Component	Action					Interval
	Visually Inspect	Check	Change	Clean	Test	
AC Electrical System						
Controller lamp test	X				R	Weekly
General Inspection	X					Weekly
Circuit breakers, fuses†	X	X	R	X	X	Monthly
Wire abrasions where subject to motion	X	X				Quarterly
Safety and alarm operation		X			X	Six Months
Tighten control and power wiring connections		X				Yearly
Transfer switch main contacts†	X			X		Yearly
Voltage-sensing device/relay adjustment†		•			•	Yearly
Wire-cable insulation breakdown	X				X	3 Years or 500 Hrs.
Engine and Mounting						
General inspection	•					Weekly
Governor operation, lubricate moving parts	•	•				Refer to engine operation manual for service intervals and instructions.
Air cleaner service		•	•			
Choke, carburetor adjustment		•				
Governor oil (mechanical governor only)		•				
Ignition components	•			•		
Injector pump and injector flow rate, pressure, spray pattern		•			•	
Valve clearance		•				
Bolt torque		•			•	
Remote Control System, etc.						
Compartment condition	X			X		Weekly
Remote control					X	Monthly
Run generator set					X	Monthly
Alternator						
General inspection	X					Weekly
Rotor and stator	X			X		Yearly
Bearing condition	X	X	R			Yearly
Exciter	X	X		X		Yearly
Voltage regulator	X	X		X		Yearly
Measure and record resistance readings of windings with insulation tester (Megger®, with SCR assembly or rectifier disconnected)					X	Yearly
Blow dust out of alternator*	X			•		2 Years or 300 Hrs.
General Condition of Equipment						
Any condition of vibration, leakage, noise, temperature, or deterioration	X	X		X		Weekly
Ensure that system is set for automatic operation	X					Weekly
Interior of equipment room or outdoor weather housing	X			X		Weekly
<ul style="list-style-type: none"> • Follow procedures and frequencies indicated in the engine manufacturer's maintenance manual. If not indicated, follow this service schedule. Some items may not apply to all generator sets. R Replace as necessary. X Action * Service more frequently if operated in dusty areas. † Do not break manufacturer's seals or internally inspect these devices. 						

Megger® is a registered trademark of Biddle Instruments.

3.4 Alternator Bearing Service

Have an authorized service distributor/dealer perform service.

3.4.1 20-300 kW Models




Replace the end bracket bearing every 10,000 hours of operation. Service the bearing more frequently if the annual inspection indicates excessive rotor end play or bearing damage. The sealed end bracket bearing requires no additional lubrication.

3.4.2 300-1000 kW Models with 4M/5M/7M Single-Bearing Alternator

The alternator bearing requires lubrication at intervals specified in the alternator operation and maintenance manual. Use Chevron SRI or equivalent antifriction, high-quality grease with a lubrication temperature range of -30°C to 175°C (-22°F to 350°F).

Refer to the List of Related Literature for the alternator operation and maintenance manuals.

3.5 Diesel Fuel Systems

 WARNING	Explosive fuel vapors. Can cause severe injury or death. Use extreme care when handling, storing, and using fuels.
 	

The fuel system. Explosive fuel vapors can cause severe injury or death. Vaporized fuels are highly explosive. Use extreme care when handling and storing fuels. Store fuels in a well-ventilated area away from spark-producing equipment and out of the reach of children. Never add fuel to the tank while the engine is running because spilled fuel may ignite on contact with hot parts or from sparks. Do not smoke or permit flames or sparks to occur near sources of spilled fuel or fuel vapors. Keep the fuel lines and connections tight and in good condition. Do not replace flexible fuel lines with rigid lines. Use flexible sections to avoid fuel line breakage caused by vibration. Do not operate the generator set in the presence of fuel leaks, fuel accumulation, or sparks. Repair fuel systems before resuming generator set operation.

Draining the fuel system. Explosive fuel vapors can cause severe injury or death. Spilled fuel can cause an explosion. Use a container to catch fuel when draining the fuel system. Wipe up spilled fuel after draining the system.

3.5.1 Bleeding Air from Fuel System

Bleed air from the fuel system after fuel system maintenance, such as replacing the fuel filter(s). Use the hand prime pump kit, when equipped. The hand prime fuel pump eliminates the need for cranking the engine to bleed air from the fuel system.

Note:

Bleed air from the fuel system according to the engine manufacturer's instructions. Trapped air in the fuel system causes difficult starting and/or erratic engine operation.

Note:

Correct any fuel leaks encountered during the priming procedure.

1. Place the fuel valves in the fuel system prime position. Close the fuel valve located between the pipe tee and the engine. Open the fuel valves on each side of the fuel prime pump. See Figure 31.

Note:

The illustration shows a generator set without a fuel/water separator. The valve location and position for a generator set equipped with a fuel/water separator is similar.

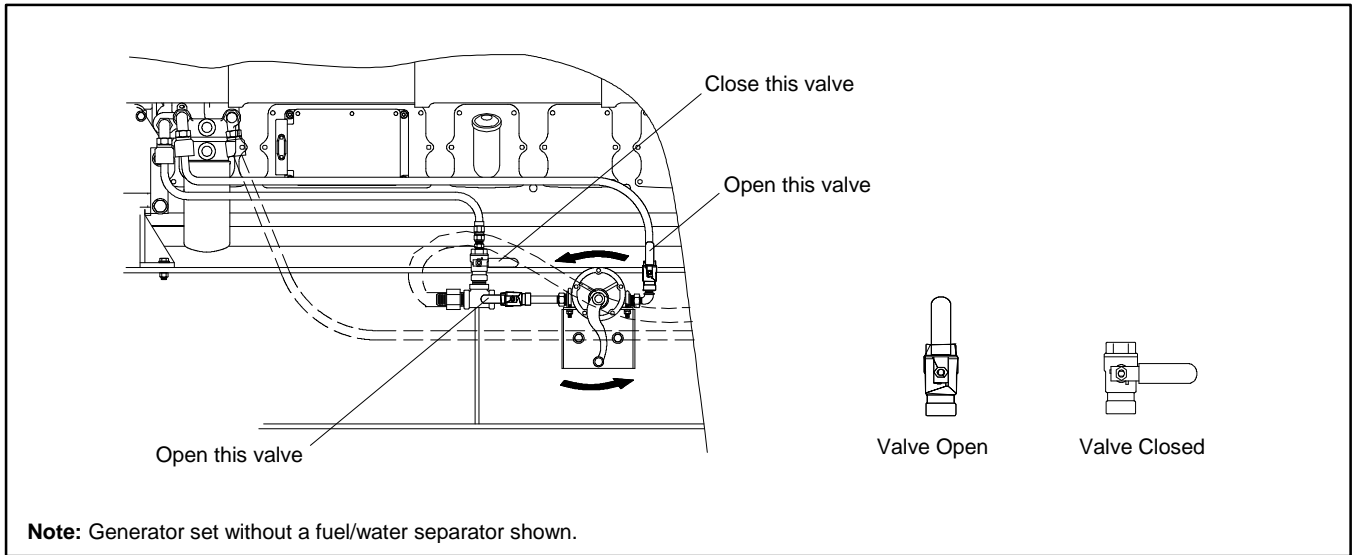





Figure 31 Hand Prime Pump with Valve Positions for Fuel Priming, Typical

2. Loosen the bleed screw at the engine. Refer to the engine operation manual for location of the bleed screw(s). The bleed screw allows air to be expelled from the fuel system when the hand prime pump is operated.
3. Rotate the hand prime pump handle counterclockwise until fuel flows from the bleed screw. Stop pumping.
4. Tighten the bleed screw. Wipe up any fuel leakage.
5. Place the fuel valves in the normal operation position. Open the fuel valve located between the pipe tee and the engine. Close the fuel valves on each side of the fuel prime pump.

3.6 Gaseous Fuel Systems

Gaseous fuel systems apply to KG_ (Kohler Powered), (REZG_/RZG_/ERES_ (GM/PSI Powered), REZX_/RZX_ (Doosan Powered) generator set models.

This section describes natural gas and liquified petroleum gas (LPG) fuel systems that are not covered in the engine operation manual or engine service manual.

 WARNING	<p>Explosive fuel vapors. Can cause severe injury or death. Use extreme care when handling, storing, and using fuels.</p>
 	

The fuel system. Explosive fuel vapors can cause severe injury or death. Vaporized fuels are highly explosive. Use extreme care when handling and storing fuels. Store fuels in a well-ventilated area away from spark-producing equipment and out of the reach of children. Never add fuel to the tank while the engine is running because spilled fuel may ignite on contact with hot parts or from sparks. Do not smoke or permit flames or sparks to occur near sources of spilled fuel or fuel vapors. Keep the fuel lines and connections tight and in good condition. Do not replace flexible fuel lines with rigid lines. Use flexible sections to avoid fuel line breakage caused by vibration. Do not operate the generator set in the presence of fuel leaks, fuel accumulation, or sparks. Repair fuel systems before resuming generator set operation.

Explosive fuel vapors can cause severe injury or death. Take additional precautions when using the following fuels:

Propane (LPG)—Adequate ventilation is mandatory. Because propane is heavier than air, install propane gas detectors low in a room. Inspect the detectors per the manufacturer's instructions.

Natural Gas—Adequate ventilation is mandatory. Because natural gas rises, install natural gas detectors high in a room. Inspect the detectors per the manufacturer's instructions.

3.6.1 Gaseous Fuel System Concept (Single Fuel)

The gaseous fuel system uses a fuel solenoid valve to control the fuel flow to the electronic-controlled pressure regulator (EPR) or direct acting electronic pressure regulator (DEPR). The generator set-mounted EPR or DEPR reduces the fuel pressure as fuel passes to the fuel mixer.

The fuel mixer controls the ratio of fuel to air under varying load and speed conditions. Because the fuel mixer receives fuel in a gaseous state, it does not have to vaporize the fuel.

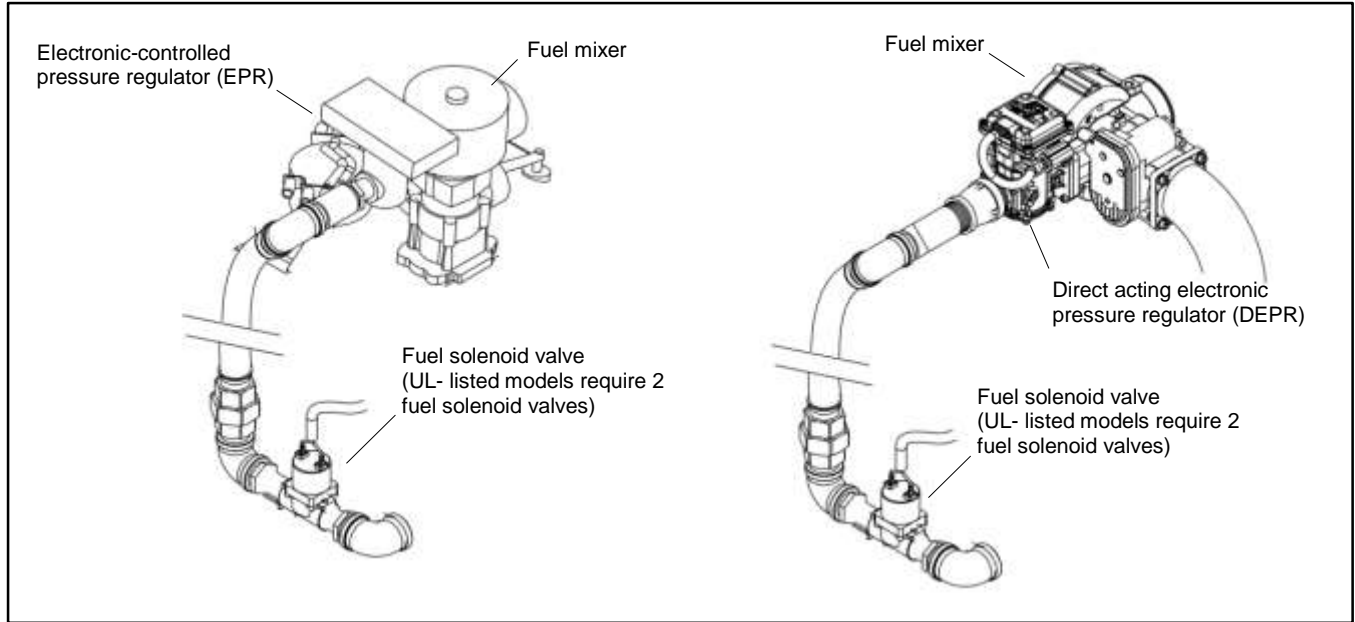


Figure 32 Fuel Regulator and Valve, Typical

3.6.2 LPG Liquid Withdrawal Fuel System Concept

With the LPG liquid withdrawal fuel system, pressurized liquid LPG fuel passes from the tank to a vaporizer. The vaporizer converts the liquid fuel to gas before sending it to the fuel EPR or DEPR. The system also includes a fuel solenoid valve that shuts off the fuel flow when the engine stops. Contact an authorized service distributor/dealer for availability.

3.6.3 Natural Gas and LPG Conversion

Most gaseous-fueled models can be converted to operate on either natural gas or LPG fuel. The engine ECM has fuel tables and spark advance curves programmed for both natural gas and LPG. To change the fuel type, change the electrical connections between the fuel system and the engine ECM as shown in the following instructions and connection diagrams. A hang tag on the fuel regulator may provide additional conversion setup information. Fuel conversion may decrease generator set output. Refer to the respective generator set spec sheet for ratings based on fuel selection. Changing fuel does not alter the emissions compliance of the generator set engine. Consult your local generator set distributor/dealer for additional information.

Note:

If a gaseous-fueled model has the fuel type changed (LPG to natural gas or natural gas to LPG), order a new nameplate from an authorized distributor/ dealer with the updated ratings and attach to the generator set.

Be sure to review the respective wiring diagram for your specific model for possible special applications.

3.6.4 Fuel System Changeover Kits (Dual Fuel)

A changeover fuel system kit provides automatic changeover from natural gas to LPG vapor. The primary and backup fuels each have a fuel solenoid valve. The primary fuel is natural gas; the backup fuel is LPG vapor. Before starting, both fuel solenoid valves are closed. When the generator set starts, the primary fuel solenoid valve opens. The primary fuel line has a pressure switch in series with a relay connected to the start/run circuit.

When the primary fuel pressure drops below 0.6 kPa (1.4 oz./in.2) or 6.4 cm (2.5 in.) water column, a relay opens the backup fuel solenoid valve and closes the primary fuel solenoid valve. When the primary fuel pressure rises above 0.6 kPa (1.4 oz./in.2) or 6.4 cm (2.5 in.) water column, the generator set uses the primary fuel. Contact an authorized service distributor/dealer for kit availability.

Emissions certified models use a single electronic-controlled pressure regulator (EPR) or direct acting electronic pressure regulator (DEPR) for both fuels. A tee fitting connects both fuels together upstream of the EPR or DEPR. During operation when using the secondary fuel, it is normal for a small amount of secondary fuel to seep back through the primary fuel solenoid valve. To counter this situation, one of two methods is used depending upon the generator set model: (1) a second solenoid valve (identical to the primary fuel solenoid valve) is installed in a reverse configuration on the primary fuel side or (2) a small vent line is installed between the primary fuel inlet and the air intake through a fuel solenoid valve.

Dual-fuel systems that include a fuel reset box allow an operator to switch back to the primary fuel. The system will change automatically to the primary fuel when the secondary source runs low or when the generator set stops and restarts.

3.6.5 Fuel Conversion Connections

To change the fuel type, change the wiring harness connections. The engine ECM has fuel tables and spark advance curves programmed for both natural gas and LPG. Use the following fuel connection tables and wiring diagrams to determine the applicable connections for your generator set model. Be sure to review the wiring diagram for special applications.

For typical models with PSI and GM engines, use the following:

See Figure 33 and Figure 34.

Natural Gas Operation

- Disconnect lead 65 from lead N5.
- Disconnect lead 73B from the fuel solenoid valve.
- Connect lead 73A to the fuel solenoid valve.

LPG Vapor Operation

- Disconnect lead 73A from the fuel solenoid valve.
- Connect lead 73B to the fuel solenoid valve (LPG vapor).
- Connect lead 65 to lead N5 (ground).

LPG Liquid Withdrawal Operation

- Disconnect lead 73A from the fuel solenoid valve.
- Connect lead 73B to the fuel solenoid valve (LPG liquid withdrawal).
- Connect lead 65 to lead N5 (ground).

Auto Changeover Natural Gas/LPG Vapor Operation

- Disconnect lead 65 from N5.
- Connect lead N5 to LFP2 relay common terminal.
- Connect lead 73A to the fuel solenoid valve (natural gas).
- Connect lead 73B to the fuel solenoid valve (LPG vapor).

Harness	Natural Gas	LPG Vapor	LPG Liquid	Auto Changeover
73A	QCON-7 (NG fuel solenoid valve)	not used		QCON-7 (NG fuel solenoid valve)
N5	not used	65	65	LFP2-COM
73B	not used	QCON-10 (LPG fuel solenoid valve)		
65	not used	N5	N5	not used
63	LFP1-NC low fuel pressure sensor (if used)			
70E2	P6- B (15 amp fuse)			

Figure 33 Gaseous Fuel Electrical Connections, Typical Models with PSI or GM Engine

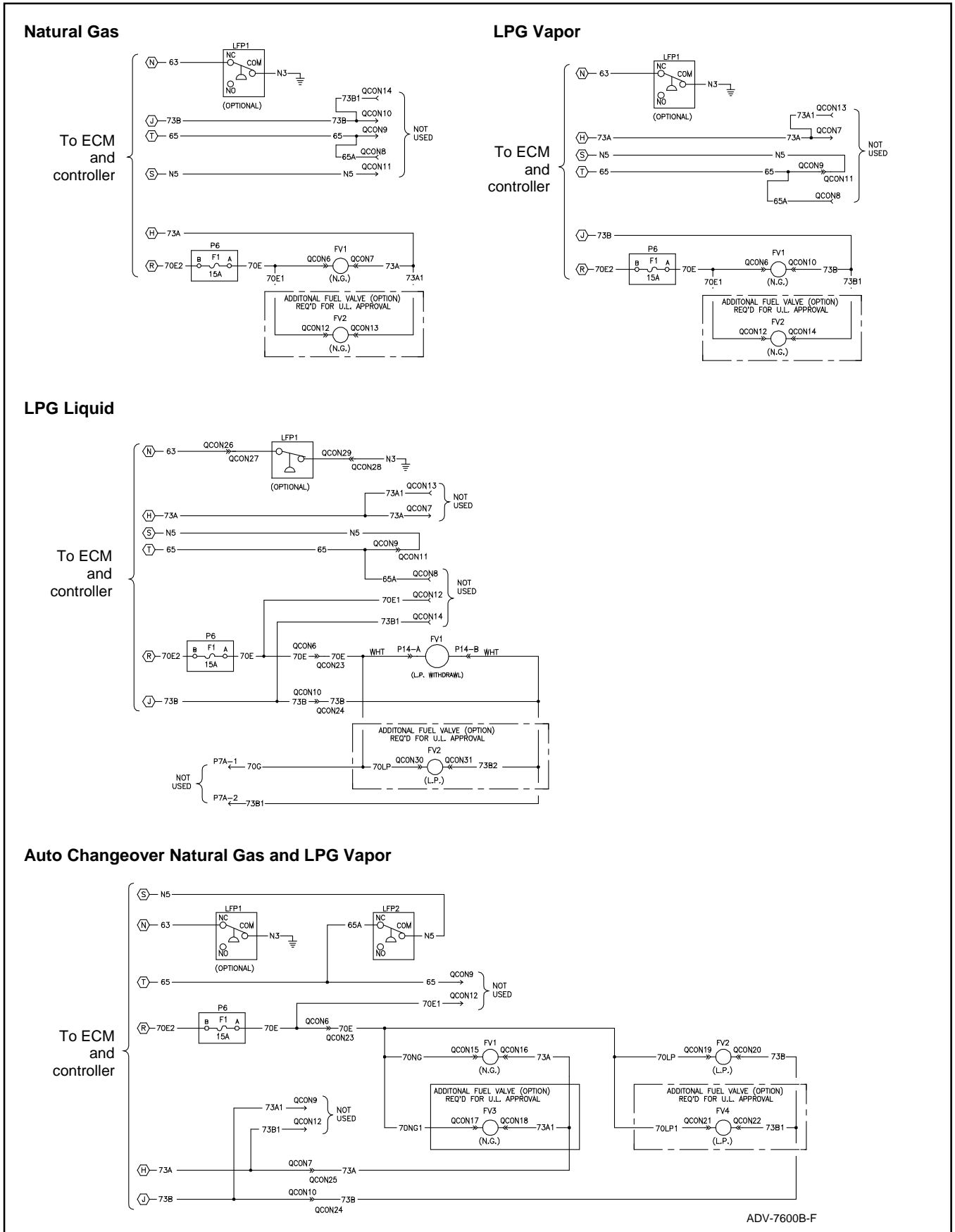


Figure 34 Gaseous Fuel Connections Wiring Diagram, Typical Models with PSI or GM Engines

For KG40, KG45, KG50, KG60 (Koher Engine KG6208), use the following:

See Figure 35 and Figure 36.

Natural Gas Operation

- Disconnect 78/78a and 70G/70R from the fuel valve.
- Disconnect 49 and N17.
- Connect 77/77a and 70H/70T to the fuel valve.

LPG Vapor Operation

- Disconnect 77/77a and 70H/70T from the fuel valves.
- Connect 78/78a and 70G/70R to the fuel valves.
- Connect 49 and N17.

Auto Changeover Natural Gas/LPG Vapor Operation

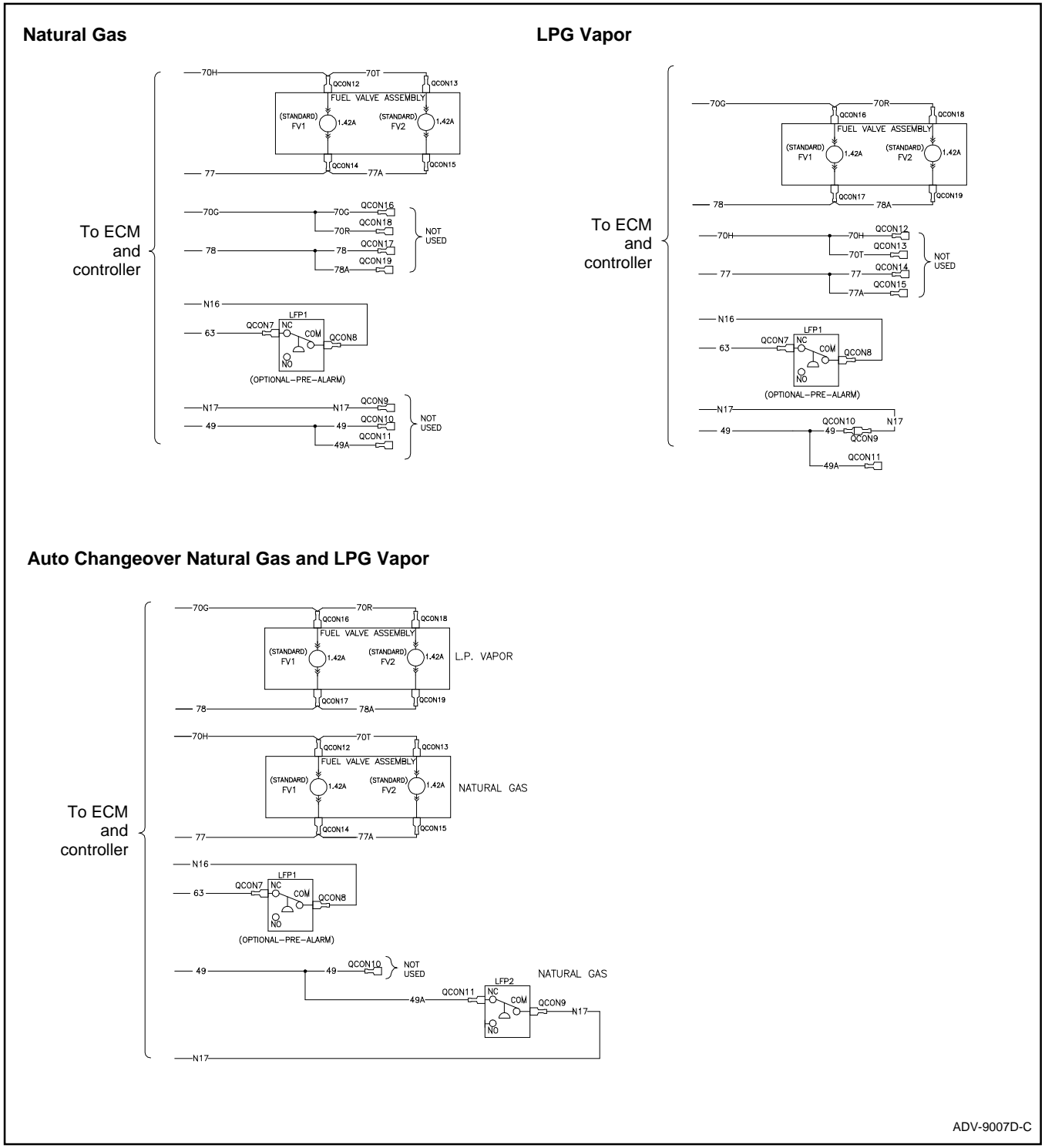
- Connect 78/78a and 70G/70R to LP Fuel Valve assembly.
- Connect 77/77a and 70H/70T to NG fuel valve assembly.
- Connect 49a to LFP2 normally closed terminal.
- Connect N17 to LFP2 common terminal.

Note:

Auto changeover natural gas/LPG vapor is not available on the 48RCLB and 60RCLA.

Harness	Natural Gas	LPG Vapor	Auto Changeover
77/77a	QCON-14, QCON-15 (NG fuel valve)	not used	QCON-14, QCON-15 (NG fuel valve)
70H/70T	QCON-12, QCON-13 (NG fuel valve)	not used	QCON-12, QCON-13 (NG fuel valve)
N17	not used	49, QCON-10	LFP2-COM
49	not used	N17, QCON-9	not used
49a	not used	not used	LFP2-NC
78/78a	not used	QCON- 17, QCON- 19 (LPG fuel valve)	
70G/70R	not used	QCON- 16, QCON- 18 (LPG fuel valve)	
63	LFP1- NC, Optional alarm		
N16	LFP1- COM, Optional alarm		

Figure 35 Gaseous Fuel Electrical Connections, KG40–KG60



ADV-9007D-C

Figure 36 Gaseous Fuel Connections Wiring Diagram, KG40-KG60 (KG6208)

For **KG80–KG125, KG80R–KG125R (Kohler Engines KG6208TSD and KG6208THD)**, use the following:

See Figure 37 and Figure 38.

Natural Gas Operation

- Disconnect the black fuel connector (J7).
- Disconnect 49 and N17.
- Connect the white fuel connector (J8).
- For UL applications, connect the optional UL fuel blocking valve (J30).

LPG Vapor Operation

- Disconnect the white fuel connector (J8).
- Connect the black fuel connector (J7).
- Connect 49 and N17.
- For UL applications, connect the optional UL fuel blocking valve (J30).

Auto Changeover Natural Gas/LPG Vapor Operation

- Connect the white fuel connector (P8 to J8)
- Connect the black fuel connectors together in series (P7 to J7, P7A to J7A).
- Connect 49 to 49B (QCON10).
- Connect 49B to LFP3, Normally Open terminal.
- Connect LP1 to LFP3, Common Terminal.
- Connect 49A to LFP2, Normally Closed terminal.
- Connect N17 to N17B (QCON9).
- Connect N17B and N17A to LFP2 Common terminal.
- Connect the UL fuel blocking valve (J30).

Harness	Natural Gas	LPG Vapor	Auto Changeover
White Connector (P8)	NG fuel valve (J8)	not used	NG fuel valve (J8)
N17	not used	49 (QCON 10)	N17B (QCON 9)
49	not used	N17 (QCON 9)	49B (QCON 10)
49a	not used	not used	LFP2-NC
Black Connector (P7)	not used	LPG fuel valve (J7)	LPG fuel valve (J7)
63	LFP1- NC, Optional alarm		LFP1-NC
N16	LFP1- COM, Optional alarm		LFP1-COM
White Connector (P30)	Optional blocking fuel valve for UL requirements		Required blocking fuel valve for UL requirements
49B	not used, Auto Changeover Only		49 (QCON 10), LFP3 (NO)
LP1	not used, Auto Changeover Only		LFP3-COM
N17A	not used, Auto Changeover Only		LFP2-COM
N17B	not used, Auto Changeover Only		N17 (QCON 9), LFP2-COM

Figure 37 Gaseous Fuel Electrical Connections, KG80–KG1250/KG80R–KG125R

KG80–KG125, KG80R–KG125R Dual Fuel Operation

The dual fuel system for the KG80–KG125 and KG80R–KG125R includes an LPG indicator light and a reset switch. This LPG indicator light turns on when the NG fuel valve closes and the LP fuel valve opens, indicating that the fuel source has switched. The reset switch resets the fuel source to natural gas. See the operation summary below.

When NG fuel is lost or insufficient

- NG fuel valve closes.
- LP fuel valve opens.
- Indicator light turns on indicating the unit is running on LPG vapor.
- Low fuel pressure warning activates (due to loss of primary fuel supply).

The unit will return to NG fuel if:

- The reset switch is activated (separate box with a switch and light).

Note:

The reset switch can be activated while the unit is running.

- LP fuel supply is lost or insufficient.

Note:

If NG fuel supply has still not returned, the unit will shut down due to not having an available fuel source.

- The generator set is shut down and restarted.
 - Utility returns.
 - Off button is manually pressed.
 - E-Stop is pressed.

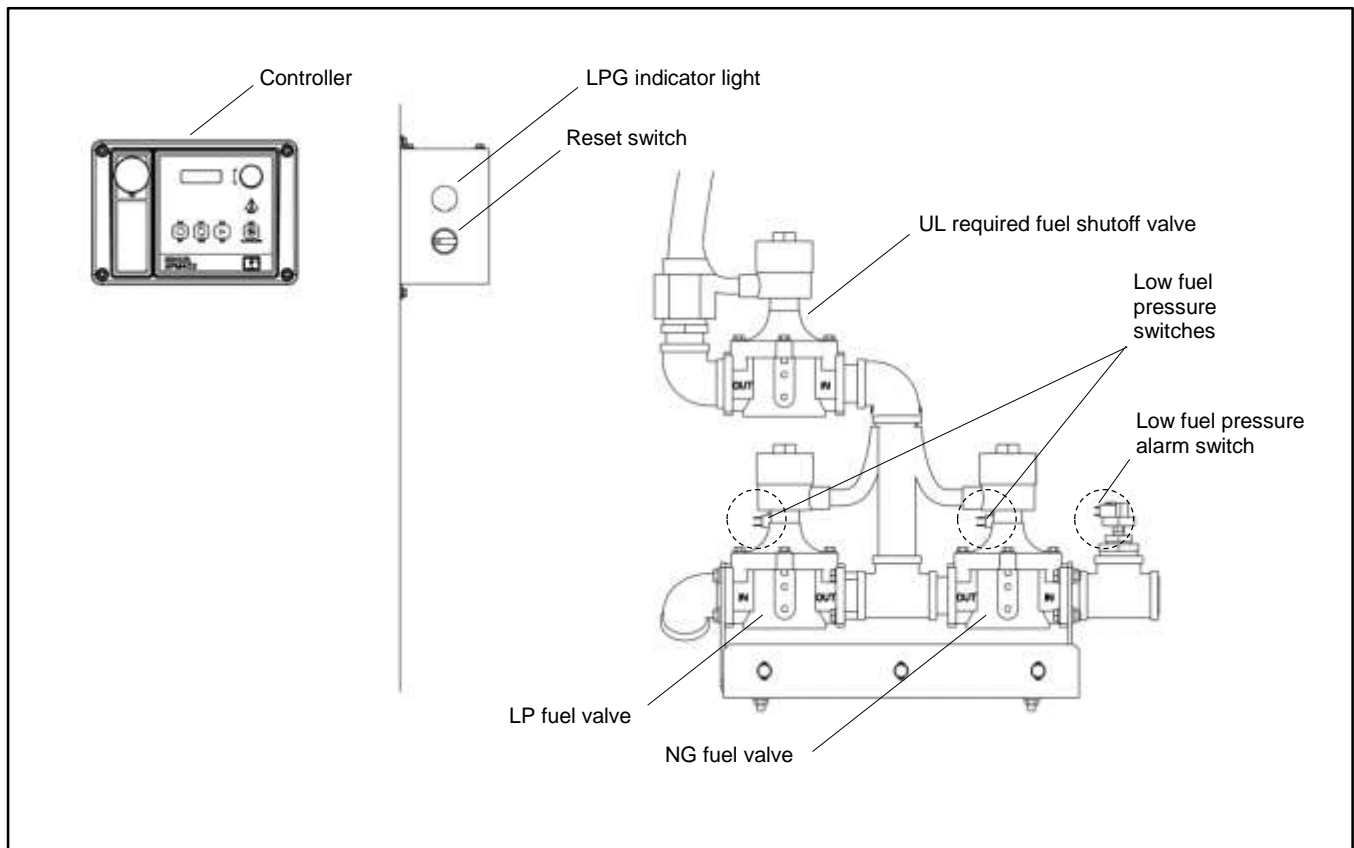


Figure 39 Dual Fuel System, KG80–KG125/KG80R–KG125R

For KG150, KG180, and KG200 (Kohler Engines KG10V08T-6CGS and KG10V08T-6DGS), use the following:

To change the fuel type, change the wiring harness connections. The engine ECM has fuel tables and spark advance curves programmed for both natural gas and LPG. Use the following fuel connection tables and wiring diagrams to determine the applicable connections for your generator set model. Be sure to review the wiring diagram for special applications.

Note:

KG150 engines ordered for use with natural gas cannot be converted to operate with LPG fuel.

For Single Fuel Connections, use the following:

See Figure 37 and Figure 38.

Natural Gas Operation

- Disconnect the black fuel connector (J7).
- Disconnect 49 and N17.
- Connect the white fuel connector (J8).
- For UL applications, connect the optional UL fuel blocking valve (J30).

LPG Vapor Operation

- Disconnect the white fuel connector (J8).
- Connect the black fuel connector (J7).
- Connect 49 and N17.
- For UL applications, connect the optional UL fuel blocking valve (J30).

Harness	Natural Gas	LPG Vapor
White Connector (P8)	NG fuel valve (J8)	not used
N17	not used	49 (QCON 10)
49	not used	N17 (QCON 9)
49a	not used	not used
Black Connector (P7)	not used	LPG fuel valve (J7)
63	LFP1- NC, Optional alarm	
N16	LFP1- COM, Optional alarm	
White Connector (P30)	Optional blocking fuel valve for UL requirements	
49B	not used, Auto Changeover Only	
LP1	not used, Auto Changeover Only	
N17A	not used, Auto Changeover Only	
N17B	not used, Auto Changeover Only	

Figure 40 Gaseous Fuel Electrical Connections, Single Fuel, , KG150, KG180, and KG200

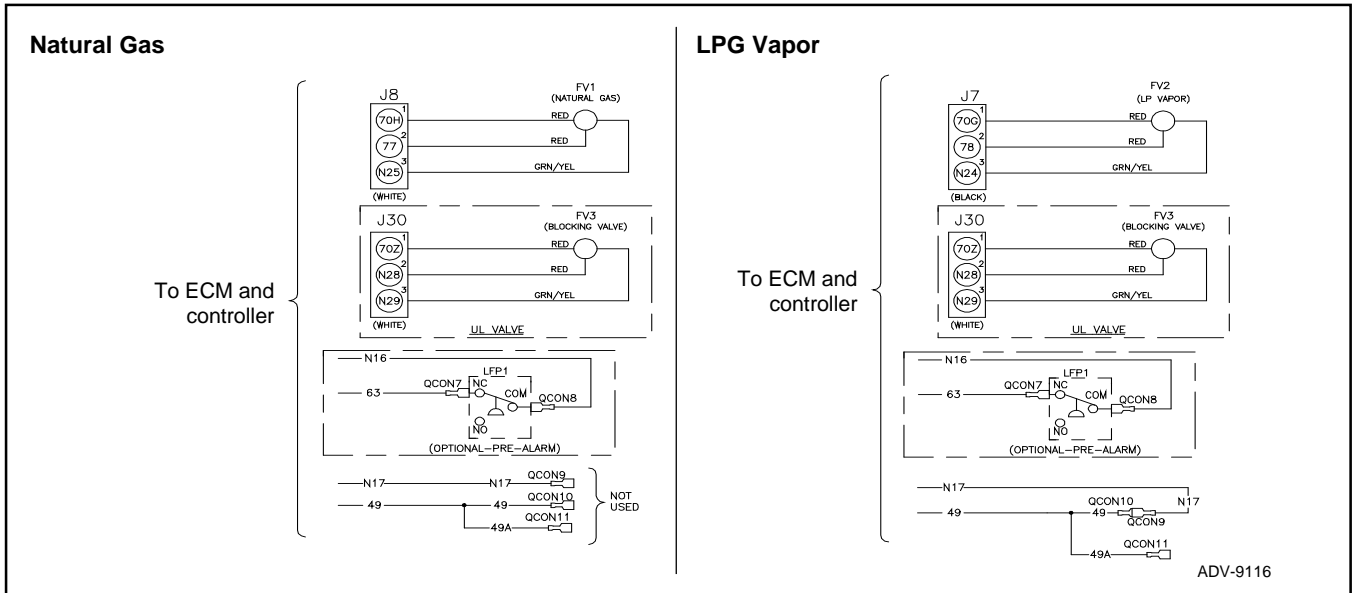


Figure 41 Gaseous Fuel Connections Wiring Diagram, Single Fuel, KG150, KG180, and KG200

For 180-500 RZXB/REZXB/REZXC/RZXD/REZXD (PSI/ Doosan 11.1L, 14.6L, 18.3L, and 21.9L Engines), use the following:

To change the fuel type, change the wiring harness connections. The engine ECM has fuel tables and spark advance curves programmed for both natural gas and LPG. Use the following fuel connection lists and wiring diagrams to determine the applicable connections for your generator set model. Be sure to review the wiring diagram for special applications.

Natural Gas with single fuel valve

See Figure 42.

- Disconnect lead 70E.
- Disconnect lead N6.
- Disconnect lead N11 (250 – 500 kW only).
- Disconnect lead N5.
- Disconnect lead 65.
- Disconnect lead 65A.
- Disconnect lead 73B.
- Connect lead 70B2 to fuel valve 1 (FV1), red/black wire.
 - **For 250 – 500 kW (14.6 L – 22 L engines),** connect lead 70B2 to fuel valve 1A (FV1A) and lead 70B2A to fuel valve 1B (FV1B), red/black wires.
- Connect lead 73A to fuel valve 1 (FV1), red/white wire.
 - **For 250 – 500 kW (14.6 L – 22 L engines),** connect lead 73A to fuel valve 1A (FV1A) and 73A1 to fuel valve 1B (FV1B), red/white wires.
- Connect lead N7 to fuel valve 1 (FV1), green wire.
 - **For 250 – 500 kW (14.6 L – 22 L engines),** connect lead N7 to fuel valve 1A (FV1A) and lead N10 to fuel valve 1B (FV1B), green wires.
- Connect lead 63 to normally closed (NC), low fuel pressure sensor 1.
- Connect lead N3 to common (COM), low fuel pressure sensor 1.

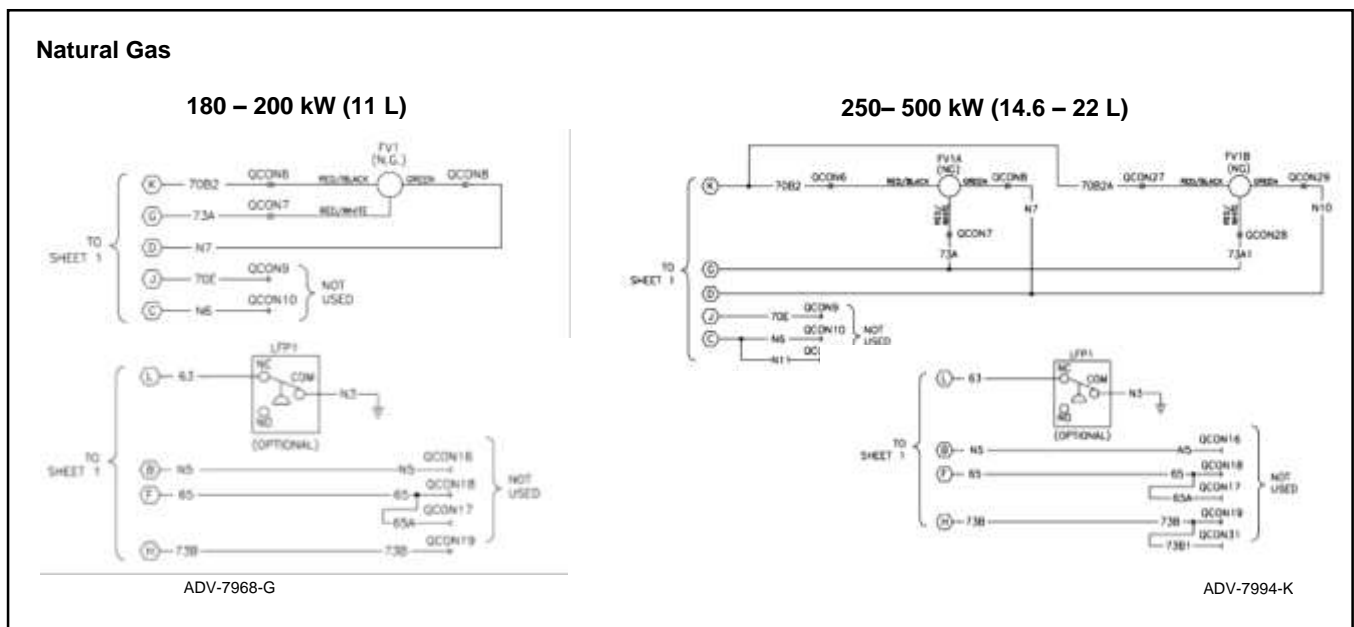


Figure 42 Natural Gas with Single Fuel Valve

180-500 RZXB/REZXB/REZXC/RZXD/REZXD (PSI/ Doosan 11.1L, 14.6L, 18.3L, and 21.9L Engines)

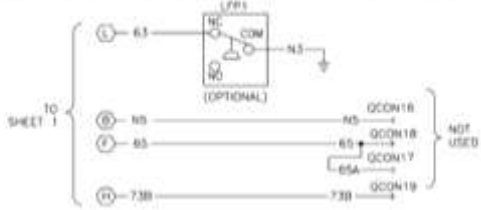
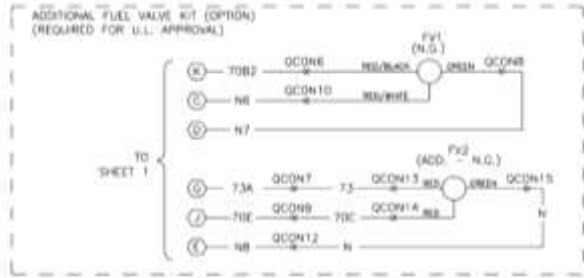
Natural Gas with Additional Fuel Valve, Required for UL Approval

See Figure 43.

- Disconnect lead N5.
- Disconnect lead 65.
- Disconnect lead 65A.
- Disconnect lead 73B.
- Connect lead 70B2 to fuel valve 1 (FV1), red/black wire.
 - **For 250 – 500 kW (14.6 L – 22 L engines),** connect lead 70B2 to fuel valve 1A (FV1A) and lead 70B2A to fuel valve 1B (FV1B), red/black wires.
- Connect lead N6 to fuel valve 1 (FV1), red/white wire.
 - **For 250 – 500 kW (14.6 L – 22 L engines),** connect lead N6 to fuel valve 1A (FV1A) and lead N11 to fuel valve 1B (FV1B), red/white wires.
- Connect lead N7 to fuel valve 1 (FV1), green wire.
 - **For 250 – 500 kW (14.6 L – 22 L engines),** connect lead N7 to fuel valve 1A (FV1A) and lead N10 to fuel valve 1B (FV1B), green wires.
- Connect lead 73A to 73 to fuel valve 2 (FV2), red wire.
 - **For 300 – 500 kW (18.1 L – 22 L engines),** connect lead 73A to 73C to fuel valve 2A (FV2A) and lead 73C1 to fuel valve 2B (FV2B), red wires.
- Connect lead 70E to 70C to fuel valve 2 (FV2), red wire.
 - **For 300 – 500 kW (18.1 L – 22 L engines),** connect lead 70E to 70C to fuel valve 2A (FV2A) and connect lead 70C1 to fuel valve 2B (FV2B), red wires.
- Connect lead N8 to N to fuel valve 2 (FV2), green wire.
 - **For 300 – 500 kW (18.1 L – 22 L engines),** connect lead N8 to N12, connect lead N12 to fuel valve 2A (FV2A) and N13 to fuel valve 2B (FV2B) green wires.
- Connect lead 63 to normally closed (NC), low fuel pressure sensor 1.
- Connect lead N3 to common (COM), low fuel pressure sensor 1.

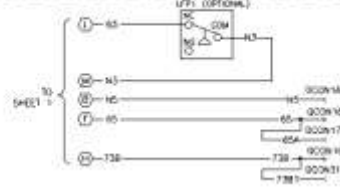
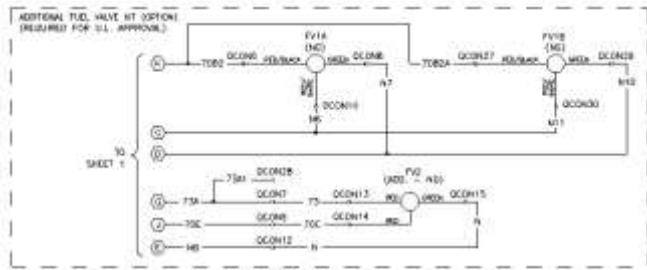
Natural Gas

180 – 200 kW (11 L)



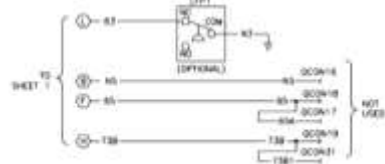
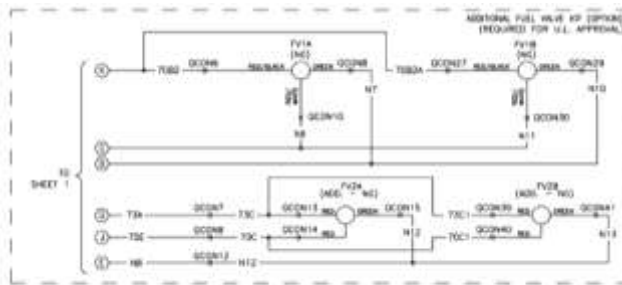
ADV-7968-G

250 – 300 kW (14.6 L)



ADV-7968-G

300 – 500 kW (18 – 22 L)



ADV-7994-K

Figure 43 Natural Gas with Additional UL Fuel Valve

180-500 RZXB/REZXB/REZXC/RZXD/REZXD (PSI/ Doosan 11.1L, 14.6L, 18.3L, and 21.9L Engines)

LPG Vapor or Liquid Withdrawal with Single Fuel Valve

See Figure 44.

- Disconnect lead 70E.
- Disconnect lead N6.
- Disconnect lead N11 (250 – 500 kW).
- Disconnect lead 73A (180 – 200 kW).
- Disconnect lead 73A and 73A1 (250 – 500 kW).
- Disconnect lead 65A.
- Connect lead 70B2 to fuel valve 1 (FV1), red/black wire.
 - **For 250 – 500 kW (14.6 L – 22 L engines),** connect lead 70B2 to fuel valve 1A (FV1A) and lead 70B2A to fuel valve 1B (FV1B), red/black wires.
- Connect lead 73B to fuel valve 1 (FV1), red/white wire.
 - **For 250 – 500 kW (14.6 L – 22 L engines),** connect lead 73B to fuel valve 1A (FV1A) and 73B1 to fuel valve 1B (FV1B), red/white wire.
- Connect lead N7 to fuel valve 1 (FV1), green wire.
 - **For 250 – 500 kW (14.6 L – 22 L engines),** connect lead N7 to fuel valve 1A (FV1A) and lead N10 to fuel valve 1B (FV1B), green wires.
- Connect lead 63 to normally closed (NC), low fuel pressure sensor 1.
- Connect lead N3 to common (COM), low fuel pressure sensor 1.
- Connect lead 65 to lead N5 (ground).

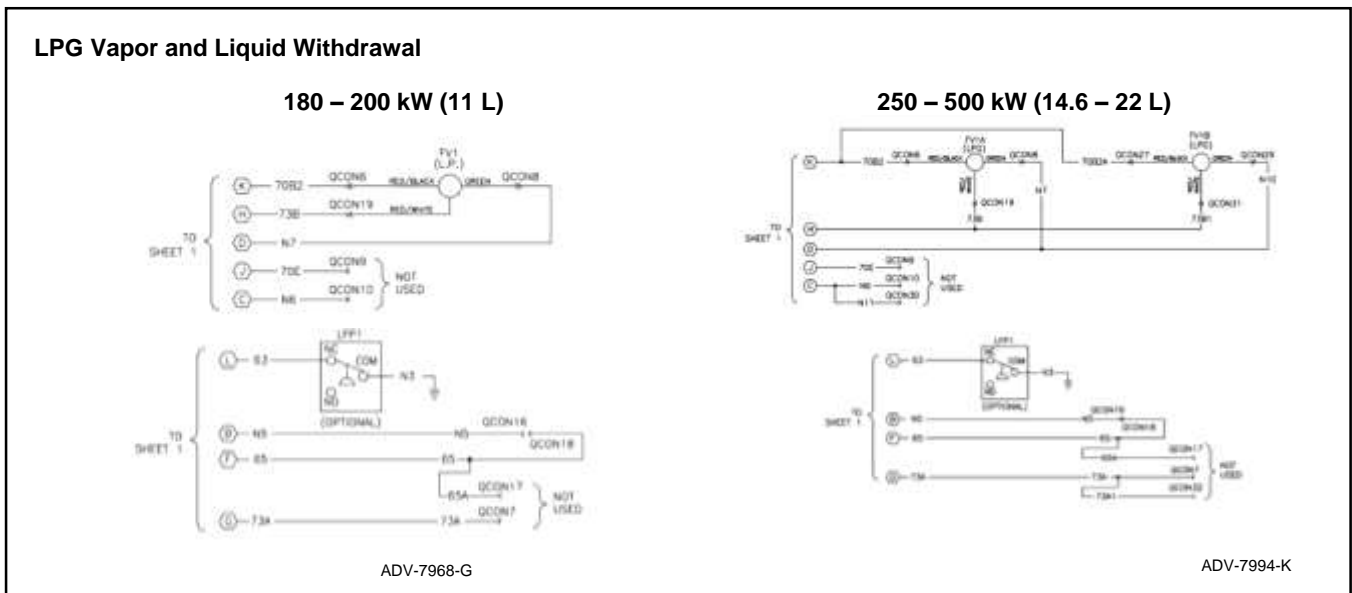


Figure 44 LPG Vapor or Liquid Withdrawal with Single Fuel Valve

180-500 RZXB/REZXB/REZXC/RZXD/REZXD (PSI/ Doosan 11.1L, 14.6L, 18.3L, and 21.9L Engines)

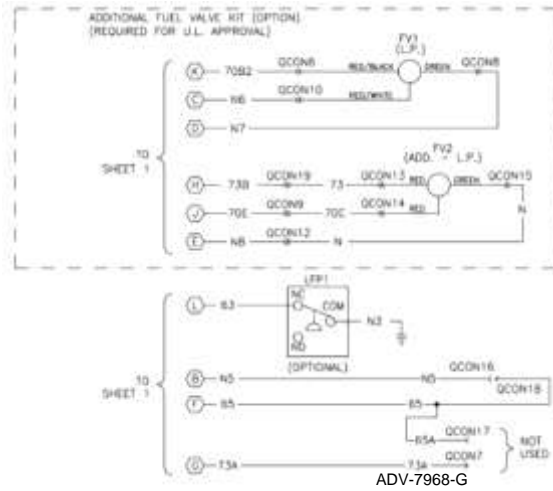
LPG Vapor or Liquid Withdrawal with Additional Fuel Valve, Required for UL Approval

See Figure 45.

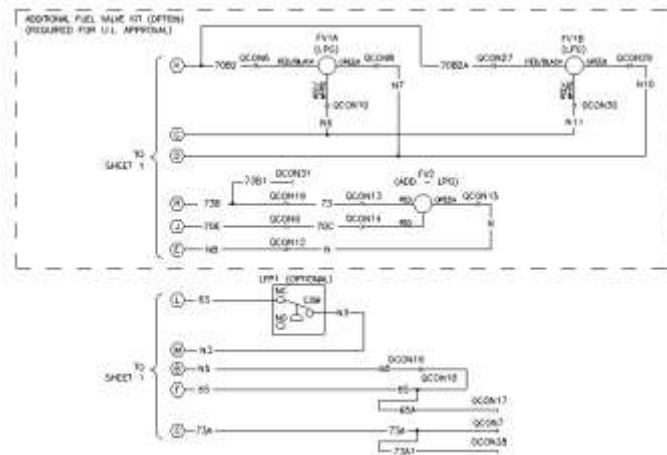
- Disconnect lead 73A (180 – 200 kW).
- Disconnect lead 73A and 73A1 (250 – 500 kW).
- Disconnect lead 65A.
- Connect lead 70B2 to fuel valve 1 (FV1), red/black wire.
 - **For 250 – 500 kW (14.6 L – 22 L engines)**, connect lead 70B2 to fuel valve 1A (FV1A) and lead 70B2A to fuel valve 1B (FV1B), red/black wires.
- Connect lead N6 to fuel valve 1 (FV1), red/white wire.
 - **For 250 – 500 kW (14.6 L – 22 L engines)**, connect lead N6 to fuel valve 1A (FV1A) and lead N11 to fuel valve 1B (FV1B), red/white wires.
- Connect lead N7 to fuel valve 1 (FV1), green wire.
 - **For 250 – 500 kW (14.6 L – 22 L engines)**, connect lead N7 to fuel valve 1A (FV1A) and lead N10 to fuel valve 1B (FV1B), green wires.
- Connect lead 73B to 73 to fuel valve 2 (FV2), red wire.
 - **For 300 – 500 kW (18.1 L – 22 L engines)**, connect lead 73B to 73C to fuel valve 2A (FV2A) and lead 73C1 to fuel valve 2B (FV2B), red wire.
- Connect lead 70E to 70C to fuel valve 2 (FV2), red wire.
 - **For 300 – 500 kW (18.1 L – 22 L engines)**, connect lead 70E to 70C to fuel valve 2A (FV2A) and lead 70C1 to fuel valve 2B (FV2B), red wires.
- Connect lead N8 to N to fuel valve 2 (FV2), green wire.
 - **For 300 – 500 kW (18.1 L – 22 L engines)**, connect N8 to N12, connect N12 to fuel valve 2A (FV2A) and N13 to fuel valve 2B (FV2B) green wires.
- Connect lead 63 to normally closed (NC), low fuel pressure sensor 1.
- Connect lead N3 to common (COM), low fuel pressure sensor 1.
- Connect lead 65 to lead N5 (ground).

LPG Vapor and Liquid Withdrawal UL Valve

180 – 200 kW (11 L)



250 – 300 kW (14.6 L)



300 – 500 kW (18 – 22 L)

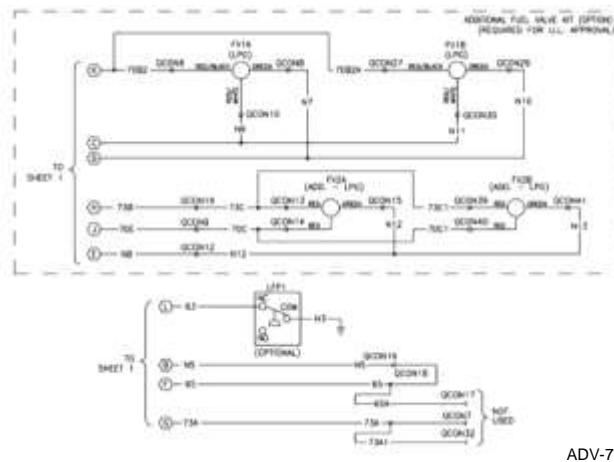


Figure 45 LPG Vapor or Liquid Withdrawal with Additional UL Fuel Valve

3.7 Crankcase Ventilation (CCV) Heater Kit GM78171-KP1

Applies to 125/150 kW, 8.1 L GM-powered and 8.8 L PSI-powered generator set models. Consult your local generator set distributor/dealer for additional information.

The crankcase ventilation (CCV) heater kit provides a controlled heating source to the crankcase ventilation system preventing freezing water buildup during cold weather. The thermostat turns on at 4°C (40°F) and turns off at 16°C (60°F) reducing energy consumption. See Figure 46.

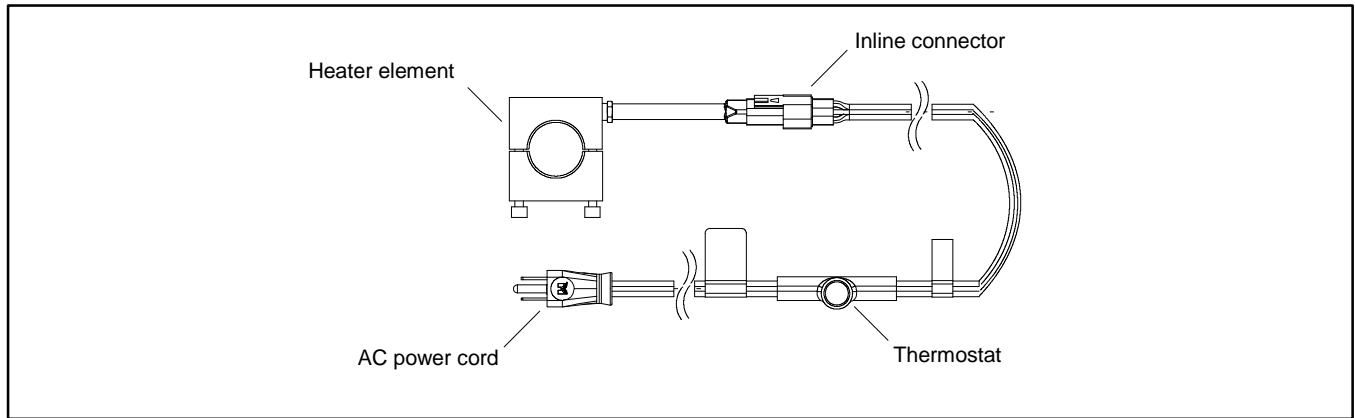


Figure 46 Crankcase Ventilation Heater Kit

3.8 Air Cleaner Restrictor Indicator (if equipped)

The air cleaner restriction gauge mounted on the air cleaner(s) helps determine the air cleaner change interval.

The air cleaner restriction gauge monitors air flow and continuously displays restriction readings indicated as vacuum (see Figure 47). Increased restriction indicates a clogged air cleaner element.

As maximum allowable restriction is reached, the gauge window turns red indicating the air cleaner element needs replacement. To reset the gauge, push the gauge top down and release.

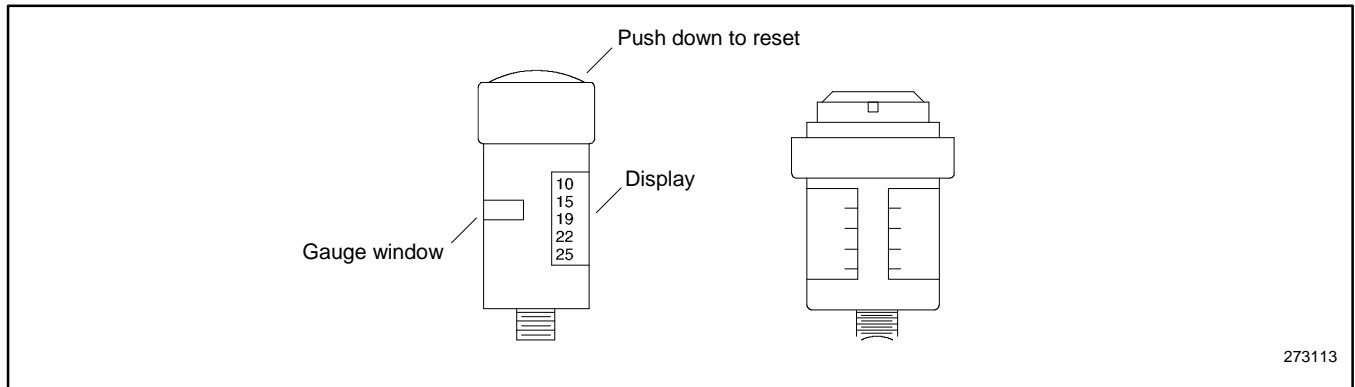




Figure 47 Restriction Indicators (styles vary)

3.9 Cooling System

The cooling system maintenance information applies to radiator-cooled models which have a radiator with a pressure cap and coolant recovery tank.

 WARNING	Hot coolant and steam. Can cause severe injury or death.
	Before removing the pressure cap, stop the generator set and allow it to cool. Then loosen the pressure cap to relieve pressure. Fill system before starting unit.

Allow the engine to cool. Release pressure from the cooling system before removing the pressure cap. To release pressure, cover the pressure cap with a thick cloth and then slowly turn the cap counterclockwise to the first stop. Remove the cap after pressure has been completely released and the engine has cooled. Check the coolant level at the tank if the generator set has a coolant recovery tank.

Note:

Engine damage. Bleed the air from the cooling system to prevent overheating and subsequent engine damage.

Note:

Block heater damage. The block heater will fail if the energized heater element is not immersed in coolant. Fill the cooling system before turning on the block heater. Run the engine until it is warm, and refill the radiator to purge the air from the system before energizing the block heater.

3.9.1 Coolant Level Check

Check the coolant level in the coolant recovery tank (if equipped). Maintain the coolant level between the high and low marks. Use the sight glass on the radiator to check the coolant level.

Note:

Periodically check the coolant level by removing the pressure cap. Do not rely solely on the level in the coolant recovery tank (if equipped). Add fresh coolant until the level is just below the overflow tube opening of the filler neck.

3.9.2 Cooling System Component Inspection

To prevent generator set shutdown or damage caused by overheating:

- Keep the cooling air inlets clean and unobstructed.
- Inspect the radiator's exterior for obstructions. Remove dirt and foreign material using a soft brush or cloth to avoid damaging the radiator fins.
- Check the hoses and connections for leaks. Replace any cracked, frayed, or spongy hoses.
- Check the condition and tension of the radiator fan and water pump belt(s). Follow the belt tension procedure in this manual and/or the engine operation manual.
- Check the pressure cap seal and replace a cracked or deteriorated cap. Remove dirt and other debris from the pressure cap and filler neck. The pressure cap raises the boiling point of the coolant, enabling higher operating temperatures. Replace a leaking pressure cap with one rated for the same pressure. The pressure cap rating usually appears on the pressure cap.

3.9.3 Procedure to Drain Cooling System

For optimum protection, drain, flush, and refill the cooling system at the intervals listed in the service schedule.

Note:

Dispose of all waste materials (oil, fuel, coolant, filters, and gaskets) in an environmentally safe manner.

1. Before removing the pressure cap, stop the generator set and allow it to cool.
2. Deenergize the block heater, if equipped.

Note:

Use a rag to cover the radiator cap during removal.

3. Remove the pressure cap to prevent air pockets from restricting coolant flow through the engine block.
4. Open the radiator and/or engine block coolant drain valve(s) and allow the system to drain.
5. If the inside of the radiator has mineral deposits or the used coolant contains dirt or grease, refer to the following section, Procedure to Flush and Clean the Cooling System. If the cooling system does not have mineral deposits, go to the following section, Procedure to Refill the Cooling System.

3.9.4 Procedure to Flush and Clean Cooling System

Use the instructions in the engine operation manual when available to flush and clean the cooling system. Otherwise, use the following procedure and the cooling system cleaner manufacturer's instructions.

1. Flush the cooling system with distilled or deionized water.
2. If the inside of the radiator still has mineral deposits, use a radiator cleaner to remove the remaining deposits following the manufacturer's instructions.
3. Drain, clean, and flush the coolant recovery tank.

3.9.5 Procedure to Refill Cooling System

See the generator set spec sheet for coolant capacity.

Note:

Do not add coolant to a hot engine. Adding coolant to a hot engine can cause the cylinder block or cylinder head to crack. Wait until the engine has cooled.

1. Remove the pressure cap.
2. Close the radiator and/or engine block coolant drain valve(s) and tighten the cooling system hose clamps.

Note:

If possible, fill the radiator from the bottom to avoid air pockets.

3. Open the air-bleed petcocks, if equipped. Close the air-bleed petcocks when coolant begins to flow from them.

Note:



Refer to the engine operation manual for air-bleed petcock locations.

4. Fill the cooling system with the recommended genuine Kohler coolant/antifreeze mixture based on the engine manufacturer's recommendation.
5. Replace the pressure cap.
6. Fill the coolant recovery tank (if equipped) to the low mark.
7. Operate generator set until the thermostat opens when the upper cooling system hose warms.
8. Stop the engine and allow it to cool.
9. Check and repair any coolant leaks.

10. Remove the pressure cap.
11. Add coolant to bring the coolant level to just below the overflow tube opening of the filler neck.
12. Replace the pressure cap.
13. Maintain the coolant level in the coolant recovery tank (if equipped) between the high and low marks. Check the coolant level at the radiator fill on models without a coolant recovery tank.

Air pockets often form in the engine water jacket when the coolant system is refilled. Check the coolant level in the coolant recovery tank (if equipped) after each generator set operation and add coolant as necessary until the coolant level stabilizes. Then check the coolant at the interval specified in the service schedule.
14. Reenergize the block heater, if equipped.

3.10 Battery

 WARNING	Sulfuric acid in batteries. Can cause severe injury or death. Wear protective goggles and clothing. Battery acid may cause blindness and burn skin.
	

Battery electrolyte is a diluted sulfuric acid. Battery acid can cause severe injury or death. Battery acid can cause blindness and burn skin. Always wear splashproof safety goggles, rubber gloves, and boots when servicing the battery. Do not open a sealed battery or mutilate the battery case. If battery acid splashes in the eyes or on the skin, immediately flush the affected area for 15 minutes with large quantities of clean water. Seek immediate medical aid in the case of eye contact. Never add acid to a battery after placing the battery in service, as this may result in hazardous spattering of battery acid.

Battery acid cleanup. Battery acid can cause severe injury or death. Battery acid is electrically conductive and corrosive. Add 500 g (1 lb.) of bicarbonate of soda (baking soda) to a container with 4 L (1 gal.) of water and mix the neutralizing solution. Pour the neutralizing solution on the spilled battery acid and continue to add the neutralizing solution to the spilled battery acid until all evidence of a chemical reaction (foaming) has ceased. Flush the resulting liquid with water and dry the area.

Battery gases. Explosion can cause severe injury or death. Battery gases can cause an explosion. Do not smoke or permit flames or sparks to occur near a battery at any time, particularly when it is charging. Do not dispose of a battery in a fire. To prevent burns and sparks that could cause an explosion, avoid touching the battery terminals with tools or other metal objects. Remove all jewelry before servicing the equipment. Discharge static electricity from your body before touching batteries by first touching a grounded metal surface away from the battery. To avoid sparks, do not disturb the battery charger connections while the battery is charging. Always turn the battery charger off before disconnecting the battery connections. Ventilate the compartments containing batteries to prevent accumulation of explosive gases.

Battery short circuits. Explosion can cause severe injury or death. Short circuits can cause bodily injury and/or equipment damage. Disconnect the battery before generator set installation or maintenance. Remove all jewelry before servicing the equipment. Use tools with insulated handles. Remove the negative (–) lead first when disconnecting the battery. Reconnect the negative (–) lead last when reconnecting the battery. Never connect the negative (–) battery cable to the positive (+) connection terminal of the starter solenoid. Do not test the battery condition by shorting the terminals together.

Refer to this section for general battery information and maintenance. All generator set models use a negative ground with a 12-volt or 24-volt engine electrical system. Consult the generator set nameplate for the engine electrical system voltage. Consult the generator set spec sheet for battery capacity recommendations for replacement purposes. The wiring diagrams provide battery connection information. See Figure 48 and Figure 49 for typical battery connections, including multiple battery configurations.

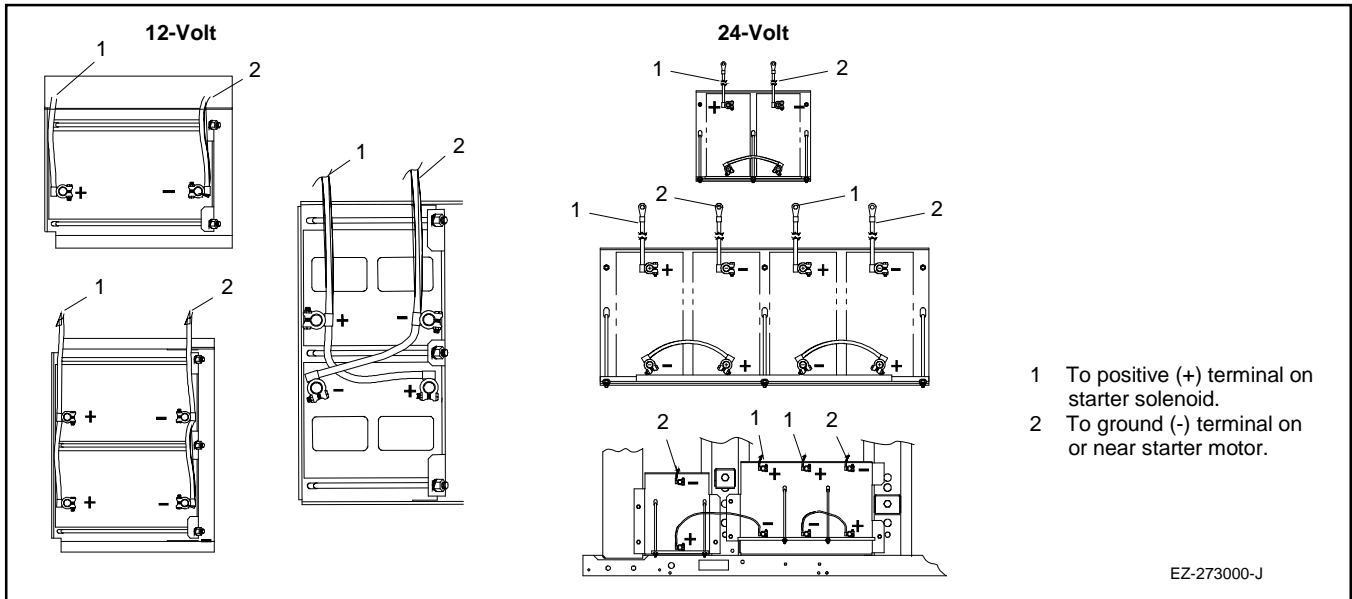


Figure 48 Engine Electrical System Single Starter Motor Typical Battery Connection

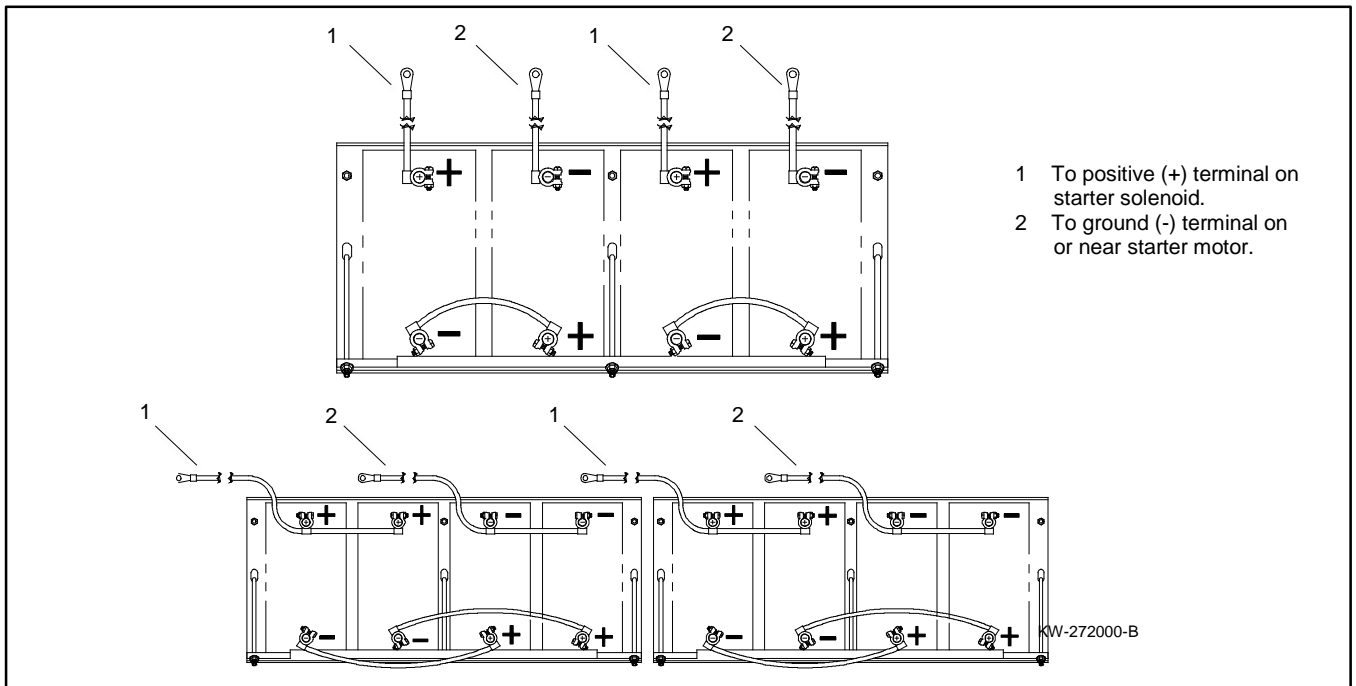


Figure 49 24-Volt Engine Electrical System Dual Starter Motors Typical Battery Connections

3.10.1 Clean the Battery

Clean the battery and cables and tighten the battery terminals according to the service schedule recommendations. Clean the battery by wiping it with a damp cloth. Keep the electrical connections dry and tight.

If corrosion exists, disconnect the cables from the battery and remove the corrosion with a wire brush. Clean the battery and cables with a solution of baking soda and water. Do not allow the cleaning solution to enter battery cells. Flush the battery and cables with clean water and wipe the battery with a dry cloth.

After reconnecting the battery cables, coat the terminals with petroleum jelly, silicon grease, or other nonconductive grease.

3.10.2 Electrolyte Level Inspection

Check the electrolyte level and specific gravity of batteries that have filler caps. Maintenance-free batteries do not require electrolyte level checking or specific gravity testing.

Check the electrolyte level at the specified interval. Remove the filler caps and verify that the electrolyte level reaches the bottom of each filler hole. See Figure 50. Refill as necessary with distilled water. Do not add fresh electrolyte. Tighten the filler caps. After adding water during freezing temperatures, run the generator set 20-30 minutes to mix the electrolyte and the water to prevent battery damage from freezing.

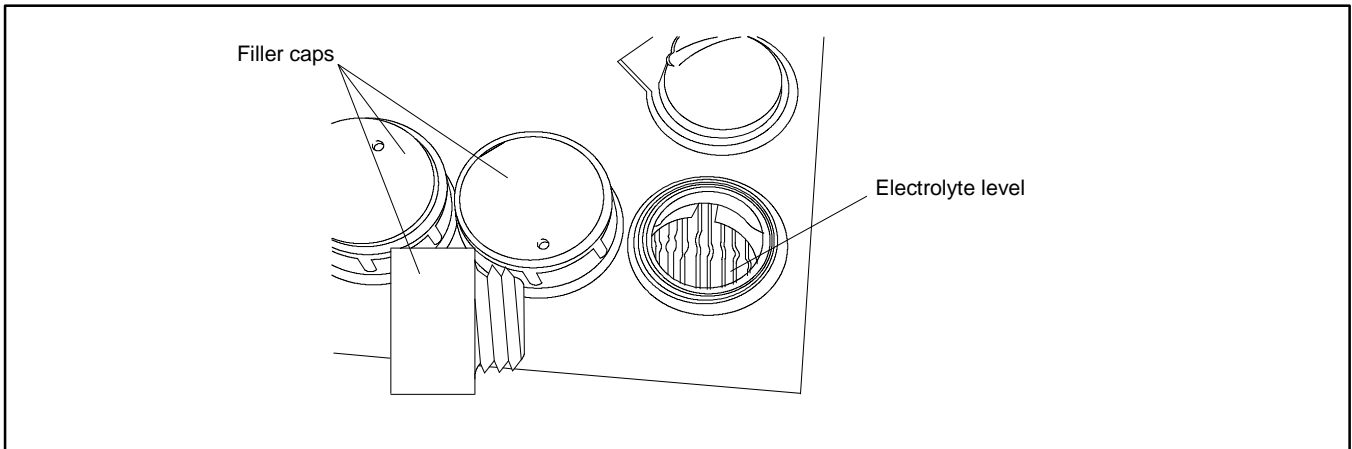


Figure 50 Battery Electrolyte Level Inspection

3.10.3 Specific Gravity Check

Use a battery hydrometer to check the specific gravity of the electrolyte in each battery cell of batteries with filler caps. Holding the hydrometer vertically, read the number on the glass bulb at the top of the electrolyte level or the number adjacent to the pointer. If the hydrometer used does not have a correction table, consult Figure 51.

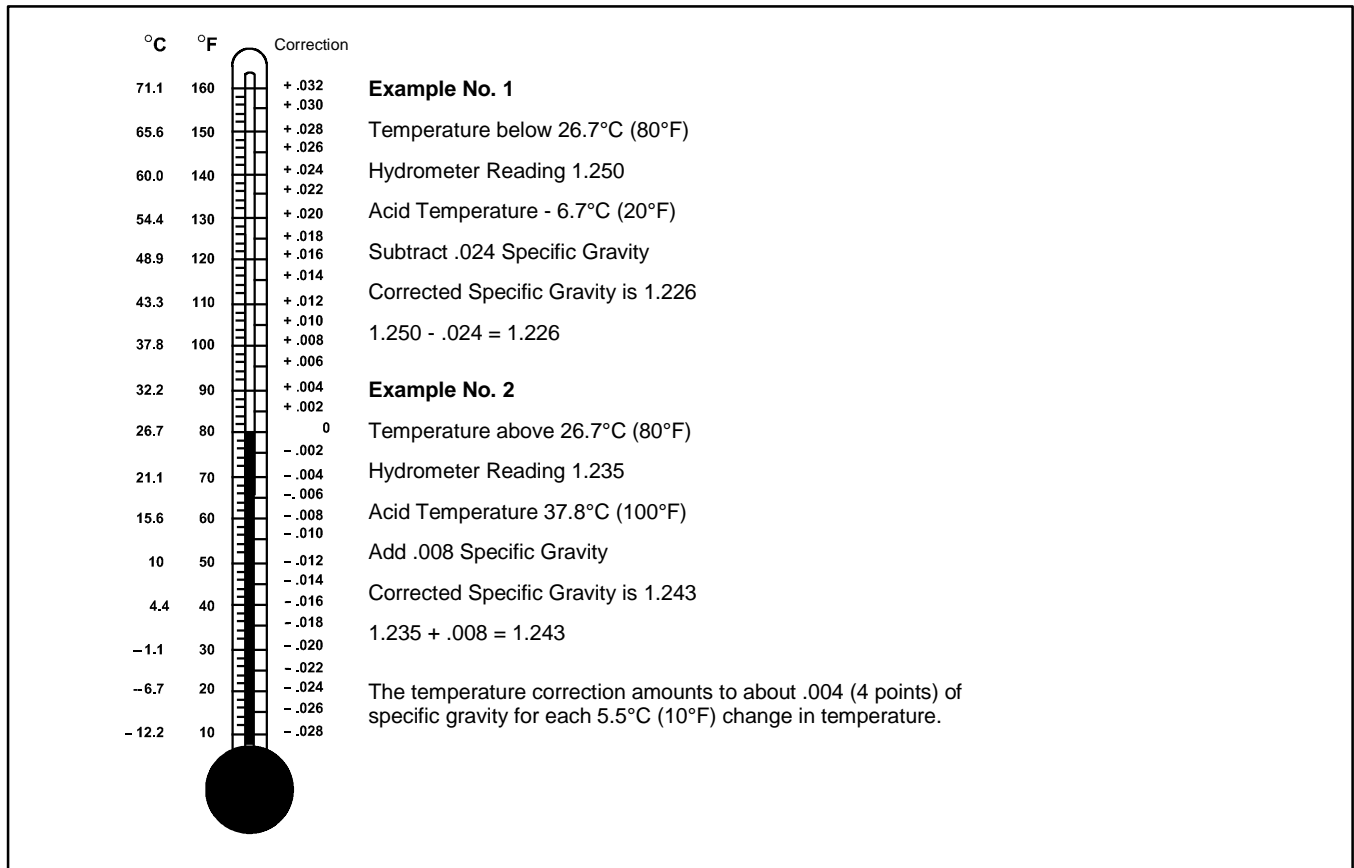


Figure 51 Specific Gravity Temperature Correction

Determine the specific gravity and electrolyte temperature of the battery cells. Locate the temperature in Figure 51 and correct the specific gravity by the amount shown. The battery is fully charged if the specific gravity is 1.260 at an electrolyte temperature of 26.7°C (80°F). Maintain the specific gravities between cells within ± 0.01 of each other. Charge the battery if the specific gravity is below 1.215 at an electrolyte temperature of 26.7°C (80°F).

Note:

Some battery testers have four or five beads in a test tube. Draw electrolyte into the tube as with the battery hydrometer described in this section or use the manufacturer's instructions. Use Figure 52 to interpret typical test results.

Number of Floating Beads	Battery Condition
5	Overcharged
4	Fully Charged
3	A good charge
1 or 2	A low charge
0	A dead charge

Figure 52 Bead-Type Test Interpretation

3.10.4 Charge Battery



Use a battery charger to maintain a fully charged battery when the generator set is used in a standby application. The engine battery-charging alternator charges the battery while the generator set is running. Refer to the battery charger operation manual for installation, operation, and service procedures.

Note:



If the generator set is in a temporary prime power application in which the generator set has periods of inactivity, the controller circuitry may drain the battery. If there is no power source for a battery charger, place the controller in the prime power mode, if equipped, or disconnect the battery from the generator set.

3.11 Storage Procedure



Perform the following storage procedure before taking a generator set out of service for three months or longer. Follow the engine manufacturer's recommendations, if available, for fuel system and internal engine component storage.

 WARNING	<p>Accidental starting. Can cause severe injury or death.</p> <p>Disconnect the battery cables before working on the generator set. Remove the negative (-) lead first when disconnecting the battery. Reconnect the negative (-) lead last when reconnecting the battery.</p>
	

Disabling the generator set. Accidental starting can cause severe injury or death. Before working on the generator set or equipment connected to the set, disable the generator set as follows: (1) Move the generator set master switch to the OFF position. (2) Disconnect the power to the battery charger. (3) Remove the battery cables, negative (-) lead first. Reconnect the negative (-) lead last when reconnecting the battery. Follow these precautions to prevent starting of the generator set by an automatic transfer switch, remote start/stop switch, or engine start command from a remote computer.

 WARNING	<p>Hot engine and exhaust system. Can cause severe injury or death.</p> <p>Do not work on the generator set until it cools.</p>
	

Servicing the exhaust system. Hot parts can cause severe injury or death. Do not touch hot engine parts. The engine and exhaust system components become extremely hot during operation.

 DANGER	<p>Hazardous voltage. Moving parts. Will cause severe injury or death.</p> <p>Operate the generator set only when all guards and electrical enclosures are in place.</p>
	

Servicing the generator set when it is operating. Exposed moving parts will cause severe injury or death. Keep hands, feet, hair, clothing, and test leads away from the belts and pulleys when the generator set is running. Replace guards, screens, and covers before operating the generator set.

3.11.1 Lubrication System

Prepare the engine lubricating system for storage as follows:

1. Run the generator set for a minimum of 30 minutes to bring it to normal operating temperature.
2. Stop the generator set.
3. With the engine still warm, drain the oil from the crankcase.
4. Remove and replace the oil filter.
5. Refill the crankcase with oil suited to the climate.
6. Run the generator set for two minutes to distribute the clean oil.
7. Stop the generator set.
8. Check the oil level and adjust, if needed.

3.11.2 Cooling System

Prepare the cooling system for storage as follows:

1. Check the coolant freeze protection using a coolant tester.
2. Add or replace coolant as necessary to ensure adequate freezing protection. Use the guidelines included in the engine operation manual.
3. Run the generator set for 30 minutes to redistribute added coolant.

3.11.3 Diesel Fuel System Storage

1. Fill the fuel tank with #2 diesel fuel.
2. Condition the fuel system with compatible additives to control microbial growth.
3. Change the fuel filter/separator and bleed the fuel system. See the engine owner's manual.

3.11.4 Gaseous Fuel System Storage

1. Start the generator set.
2. With the generator set running, shut off the gas supply.
3. Run the generator set until the engine stops.
4. Place the generator set master switch in the OFF/RESET position.

3.11.4.1 Internal Engine Components

If you have access to a fogging agent or SAE 10 oil prepare the pistons and cylinders for storage as follows:

1. While the engine is running, spray a fogging agent or SAE 10 engine oil into the air intake for about two minutes until the engine stops.
2. Place the generator set master switch in the OFF/RESET position.

If a fogging agent is not available perform the following:

1. Remove the spark plugs.
2. Pour 15 cc (0.5 oz.) of engine oil into each spark plug hole.



Ignition System Damage. Refer to the engine operation manual for ignition system precautions before cranking the engine while the spark plug wires are disconnected.

3. Toggle the generator set master switch to crank the engine two or three revolutions to lubricate the cylinders.
4. Reinstall the spark plugs and torque them to specifications.

3.11.5 Exterior

1. Clean the exterior surface of the generator set.
2. Seal all engine openings except for the air intake with non absorbent adhesive tape.
3. To prevent impurities from entering the air intake and to allow moisture to escape from the engine, secure a cloth over the air intake.
4. Mask electrical connections.
5. Spread a light film of oil over unpainted metallic surfaces to inhibit rust and corrosion.

3.11.6 Alternator

 WARNING	Risk of fire. Can cause severe injury or death. Do not smoke or permit flames or sparks near fuels or the fuel system.
	



Combustible materials. A fire can cause severe injury or death. If using generator heaters during storage, remove combustible materials such as covers from contact with the heater or from areas where heat could potentially cause a fire.

Humidity, moisture, and dust can damage the alternator during storage. Store the generator set in a clean, dry area and protect the alternator from inclement weather. Keep room temperatures relatively constant to prevent condensation on the windings. Cover ventilation and other entry points to prevent damage by rodents, birds, and insects.

Before returning the alternator to service, have an authorized service distributor/dealer, perform the following alternator service:

- Clean the ventilation circuit.
- Blow dust off the windings.
- Check the rotor and stator winding insulation.
- Check the rotor and stator winding resistance and continuity.
- On units with regreasable bearings, grease the bearings and rotate the shaft to distribute grease on the bearings.

3.11.7 Battery

 WARNING	Explosion. Can cause severe injury or death. Relays in the battery charger cause arcs or sparks.
	Locate the battery in a well-ventilated area. Isolate the battery charger from explosive fumes.

Perform battery storage after all other storage procedures.

1. Confirm that the generator set is stopped.
2. Disconnect the battery(ies), negative (-) lead first.
3. Clean the battery. Refer to the battery cleaning procedure.
4. Place the battery in a cool, dry location.
5. Connect the battery to a float/equalize battery charger or charge it monthly with a trickle battery charger. Refer to the battery charger manufacturer's recommendations.

Maintain a full charge to extend battery life.

Note:

If the battery is an absorbed glass mat (AGM) type, ensure that the battery charger is compatible with AGM type batteries before charging

Section 4. General Troubleshooting

This section contains generator set troubleshooting, diagnostic, and repair information.

Use the following charts to diagnose and correct common problems. First check for simple causes such as a dead engine starting battery or an open circuit breaker. The charts include a list of common problems, possible causes of the problem, recommended corrective actions, and references to detailed information or repair procedures.

Maintain a record of repairs and adjustments performed on the equipment. If the procedures in this manual do not explain how to correct the problem, contact an authorized distributor/dealer. Use the record to help describe the problem and repairs or adjustments made to the equipment.

4.1 General Troubleshooting Chart

Trouble Symptoms		Probable Causes	Recommended Actions	Section or Publication Reference*
Does not crank	x	Controller circuit board(s) inoperative	Replace the controller.	Gen. S/M
Cranks but does not start	x	Controller circuit board(s) wiring fault.	Check the wiring.	W/D
Starts hard		Controller fault.	Troubleshoot the controller.†	Gen. S/M
No or low output voltage	x	Controller fuse blown	Check for continuity across fuse. If fuse is blown, troubleshoot the controller wiring and replace circuit board.	See the Section titled: Specifications and Features, W/D
Stops suddenly	x	Controller master control buttons inoperative	Replace the controller master control button circuit board.	--
Lacks power	x	Controller master control button in the OFF/RESET mode.	Press the controller master control RUN or AUTO button.	See the Section titled: Operations
Overheats		Engine start circuit open.	Press the controller master control RUN button to test the generator set. Troubleshoot the auto start circuit and the time delays.	See the Section titled: Operations, W/D, Gen. S/M
High fuel consumption		Voltage regulation inoperative	Replace the junction box sensing fuses. If the fuse blows again, troubleshoot the controller.	W/D, Gen. S/M
Excessive or abnormal noise		Controller firmware error.	Review the controller display troubleshooting chart.	See the Section titled: General Troubleshooting Chart
Displays error message/locks up				
Exercise run time and/or event records inoperative				

* Sec./Section—numbered section of this manual; ATS—Automatic Transfer Switch; Eng.—Engine; Gen.—Generator Set; Alt.—Alternator; /M—Installation Manual; O/M—Operation Manual; S/M—Service Manual; S/S—Spec Sheet; O/S/M—Operation/Service Manual; W/D—Wiring Diagram
† Have an authorized service distributor/dealer perform this service.

Trouble Symptoms	Probable Causes										Recommended Actions	Section or Publication Reference*	
	Exercise run time and/or event records inoperative	Displays error message/locks up	Excessive or abnormal noise	High fuel consumption	Low oil pressure	Overheats	Lacks power	Stops suddenly	No or low output voltage	Starts hard			Cranks but does not start
Alternator													
								x				--	
												Reset the breaker and check for AC voltage at the generator set side of the circuit breaker.	
x												Move the transfer switch test switch to the AUTO position.	ATS O/M
												Move the ATS test switch to the AUTO position. Troubleshoot the transfer circuit and time delays.	ATS O/M, S/M
								x				Check for continuity.	Gen. S/M, W/D
								x				Test and/or replace the rotor. †	Gen. S/M
								x				Test and/or replace the rotor. †	Gen. S/M
												Tighten loose components. †	--
								x				Adjust the voltage regulator.	See the Section titled: Voltage Regulator Adjustments, Site Tech O/M
Electrical System (DC Circuits)													
x												Verify that the battery connections are correct, clean, and tight.	See the Section titled: Scheduled Maintenance
												Recharge or replace the battery. The spec sheet provides recommended battery CCA rating.	See the Section titled: Scheduled Maintenance, S/S
x												Replace the starter or starter solenoid.	Eng. S/M
x												Disconnect the engine harness connector(s) then reconnect it to the controller.	W/D
												Reset the fault switches and troubleshoot the controller.	See the Section titled: Operations
* Sec./Section—numbered section of this manual; ATS—Automatic Transfer Switch; Eng.—Engine; Gen.—Generator Set; Alt.—Alternator; I/M—Installation Manual; O/M—Operation Manual; S/M—Service Manual; S/S—Spec Sheet; O/S/M—Operation/Service Manual; W/D—Wiring Diagram													

Trouble Symptoms	Probable Causes											Recommended Actions	Section or Publication Reference*	
	Exercise run time and/or event records inoperative	Displays error message/locks up	Excessive or abnormal noise	High fuel consumption	Low oil pressure	Overheats	Lacks power	Stops suddenly	No or low output voltage	Starts hard	Cranks but does not start			Does not crank
Engine														
x			x			x			x				Clean or replace the filter element.	Eng. O/M
x			x		x								Check the compression. †	Eng. S/M
			x		x			x					Reduce the electrical load. See the generator set installation manual for wattage specifications.	S/S
									x				Inspect the exhaust system. Replace the inoperative exhaust system components. †	I/M
										x			Inspect the exhaust system. Tighten the loose exhaust system components. †	I/M
										x			Adjust the governor. †	Eng. S/M
													Adjust the valves. †	Eng. S/M
													Tighten all loose hardware.	--
x						x							Check the ignition system (spark plugs, spark plug wires, etc.).	Eng. O/M, Eng. S/M
x											x		Troubleshoot the engine ECM and/or sensors.	Eng. O/M, Eng. S/M

* Sec./Section—numbered section of this manual; ATS—Automatic Transfer Switch; Eng.—Engine; Gen.—Generator Set; Alt.—Alternator; I/M—Installation Manual; O/M—Operation Manual;
S/M—Service Manual; S/S—Spec Sheet; O/S/M—Operation/Service Manual; W/D—Wiring Diagram
† Have an authorized service dealer service this engine

Trouble Symptoms	Probable Causes							Recommended Actions	Section or Publication Reference*
	Exercise run time and/or event records inoperative	Displays error message/locks up	Excessive or abnormal noise	High fuel consumption	Low oil pressure	Overheats	Lacks power		
Cooling System									
Does not crank						x		Clean the air openings.	--
Cranks but does not start						x		Restore the coolant to normal operating level.	See the Section titled : Scheduled Maintenance
Starts hard						x		Tighten or replace the belt. Replace the water pump.	Eng. O/M or S/M
No or low output voltage							x	Allow the engine to cool down. Then troubleshoot the cooling system.	See the Section titled : Scheduled Maintenance, Eng. O/M
Stops suddenly							x	Restore the coolant to normal operating level.	See the Section titled : Scheduled Maintenance
Lacks power							x	Replace the thermostat.	Eng. S/M
Overheats									
High fuel consumption									
Excessive or abnormal noise									
Displays error message/locks up									
Exercise run time and/or event records inoperative									
Fuel System									
Does not crank								Bleed the diesel fuel system.	Eng. O/M
Cranks but does not start								Replace or repair the ether starting system.	Eng. O/M
Starts hard								Add fuel and move the fuel valve to the ON position.	--
No or low output voltage								Rebuild or replace the injection pump. †	Eng. S/M
Stops suddenly								Clean, test, and/or replace the inoperative fuel injector. †	Eng. S/M
Lacks power								Clean or replace the fuel filter. †	Eng. O/M
Overheats								Troubleshoot the fuel solenoid. †	Eng. S/M
High fuel consumption								Check the fuel supply and valves. †	S/S, Gen. O/M
Excessive or abnormal noise								Adjust the fuel injection timing. †	Eng. S/M
Displays error message/locks up									
Exercise run time and/or event records inoperative									

* Sec./Section—numbered section of this manual; ATS—Automatic Transfer Switch; Eng.—Engine; Gen.—Generator Set; Alt.—Alternator; I/M—Installation Manual; O/M—Operation Manual; S/M—Service Manual; S/S—Spec Sheet; O/S/M—Operation/Service Manual; W/D—Wiring Diagram
† Have an authorized service dealer perform this service

Trouble Symptoms	Probable Causes	Recommended Actions	Section or Publication Reference*
Exercise run time and/or event records inoperative			
Displays error message/locks up			
Excessive or abnormal noise	x		
High fuel consumption			
Low oil pressure	x		
Overheats			
Lacks power			
Stops suddenly			
No or low output voltage			
Starts hard	x		
Cranks but does not start	x		
Does not crank			
Lube System			
	Crankcase oil type incorrect for ambient temperature	Change the oil. Use oil with a viscosity suitable for the operating climate.	Eng. O/M
	Oil level low	Restore the oil level. Inspect the generator set for oil leaks.	Eng. S/M
	Low oil pressure shutdown	Check the oil level.	Eng. O/M

* Sec./Section—numbered section of this manual; ATS—Automatic Transfer Switch; Eng.—Engine; Gen.—Generator Set; Alt.—Alternator; I/M—Installation Manual; O/M—Operation Manual; S/M—Service Manual; S/S—Spec Sheet; O/S/M—Operation/Service Manual; W/D—Wiring Diagram
† Have an authorized service distributor/dealer perform this service.

4.2 Controller Display and Voltage Regulation Troubleshooting Chart

Trouble Symptoms	Probable Causes	Recommended Actions	Section or Publication Reference*
Controller Display and Voltage Regulator			
Display is black.	No/low battery charge.	Recharge/replace battery.	See the Section titled: Battery
Display shows single segment.	Low battery voltage.	Recharge battery.	See the Section titled: Battery
Display shows an error message.	Controller firmware fault has occurred or pushbutton/ rotary selector dial entry error.	Review the Error Message section.	See the Section titled: Error Messages
Display locks up.	No/low battery charge.	Recharge/replace battery.	See the Section titled: Battery
Output voltage ramps	Defective exciter winding.	Troubleshoot alternator components. †	Generator Service Manual
Output voltage unstable.	Voltage regulation calibration incorrect.	Readjust voltage regulation. †	See the Section titled: Voltage Regulator Adjustments SiteTech O/M
Unable to change voltage and current calibrations	Calibration not enabled.	Enable calibration in Generator Metering section.	See the Section titled: Digital Display
Unable to find volt select menu	Volt select not enabled	Volt select not enabled	SiteTech O/M

* Sec./Section—numbered section of this manual; ATS—Automatic Transfer Switch; Eng.—Engine; Gen.—Generator Set; Alt.—Alternator; I/M—Installation Manual; O/M—Operation Manual; S/M—Service Manual; S/S—Spec Sheet; O/S/M—Operation/Service Manual; W/D—Wiring Diagram

† Have an authorized service distributor/dealer perform this service.

Section 5. Voltage Reconnection

5.1 Introduction

Use the following voltage reconnection procedure to change the voltage of 10- and 12- lead generator sets. Frequency changes require voltage regulator *and* governor adjustments. Refer to the respective spec sheet to determine if frequency is fixed or field-convertible. If frequency is adjustable, refer to the engine service manual and/or governor literature for conversion information.





Refer to the following procedure and the connection schematics. Follow the safety precautions at the front of this manual and in the procedure text and observe National Electrical Code (NEC) guidelines.

NOTICE




Voltage reconnection. Affix a notice to the generator set after reconnecting the set to a voltage different from the voltage on the nameplate. Order voltage reconnection decal 246242 from an authorized service distributor/dealer.

Note:

Equipment damage. Verify that the voltage ratings of the transfer switch, line circuit breakers, and other accessories match the selected line voltage.

 WARNING	Accidental starting. Can cause severe injury or death. Disconnect the battery cables before working on the generator set. Remove the negative (-) lead first when disconnecting the battery. Reconnect the negative (-) lead last when reconnecting the battery.
  	

Disabling the generator set. Accidental starting can cause severe injury or death. Before working on the generator set or equipment connected to the set, disable the generator set as follows: (1) Press the generator set off/reset button to shut down the generator set. (2) Disconnect the power to the battery charger, if equipped. (3) Remove the battery cables, negative (-) lead first. Reconnect the negative (-) lead last when reconnecting the battery. Follow these precautions to prevent the starting of the generator set by the remote start/stop switch.

 DANGER	Hazardous voltage. Moving parts. Will cause severe injury or death. Operate the generator set only when all guards and electrical enclosures are in place.
 	

Grounding electrical equipment. Hazardous voltage will cause severe injury or death. Electrocutation is possible whenever electricity is present. Ensure you comply with all applicable codes and standards. Electrically ground the generator set, transfer switch, and related equipment and electrical circuits. Turn off the main circuit breakers of all power sources before servicing the equipment. Never contact electrical leads or appliances when standing in water or on wet ground because these conditions increase the risk of electrocution.

Short circuits. Hazardous voltage/current will cause severe injury or death. Short circuits can cause bodily injury and/or equipment damage. Do not contact electrical connections with tools or jewelry while making adjustments or repairs. Remove all jewelry before servicing the equipment.

5.2 Voltage Reconnection Procedure

Note:

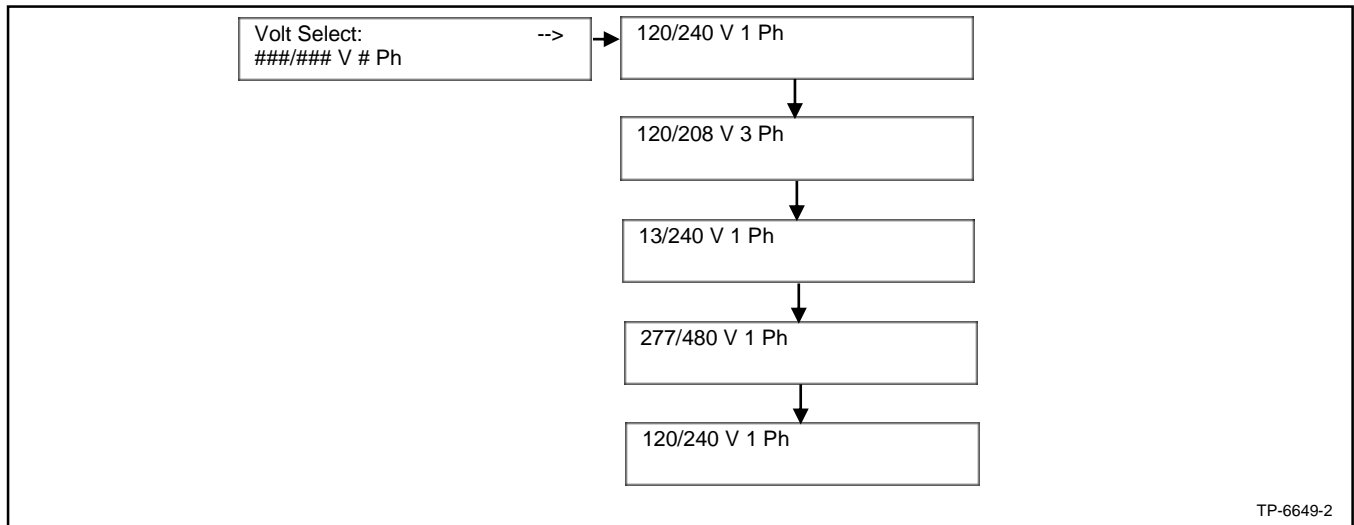
For Decision-Maker® 3000 Controllers with software versions before 2.8, go to the next Section.

Press the generator set master control OFF/RESET button

1. Turn the controller pushbutton/rotary selector dial until it stops at the Volt Select menu. See Figure 53

Note:

If the Volt Select menu does not appear, the controller voltage selection feature was not activated using SiteTech™ software.



TP-6649-2

Figure 53 Volt Select Menu

2. Press the selector dial and the voltage selection option (second line on the display) will start to flash.
3. Turn the selector dial clockwise or counterclockwise until the desired voltage selection option appears.
4. Press the selector dial. The second line on the display will stop flashing and the new voltage will appear.
5. Rotate the generator set voltage selector switch (if equipped) to match the desired voltage shown on the controller display. Skip steps 7-9 and go to step 10.

If the generator set does not have a voltage selection switch, continue to step 7

6. Disconnect the generator set engine starting battery, negative (-) lead first. Disconnect power to the battery charger (if equipped).
7. Use the figure titled: 20-150 kW Permanent Magnet Single-Phase Alternators, ADV-5875U-1, figure titled: 20-300 kW Permanent Magnet Alternators, ADV-5875U-2, or figure titled: 300 kW and Larger Pilot-Excited, Permanent Magnet 4M/5M/7M/10M Alternators, ADV-5875U-4 to determine the generator set voltage configuration. Note the original voltage and reconnect as needed. Route leads through current transformers (CTs) and connect them according to the diagram for the desired phase and voltage.

Note:

Position current transformers CT1, CT2, and CT3 with the dot or HI side CT marking toward the generator set.

8. Reconnect the battery, negative lead last.
9. Press the generator set master control RUN button to start the generator set. Check the digital display for correct voltages using the section titled: Generator Metering (and Calibration).
10. Press the generator set master control OFF/RESET button to stop the generator set after completing the voltage adjustments.

5.3 Voltage Reconnection Procedure

Note:

This procedure applies to Decision-Maker® 3000 Controllers with software versions before 2.8 only.

1. Press the generator set master control OFF/RESET button.
2. Disconnect the generator set engine starting battery, negative (-) lead first. Disconnect power to the battery charger (if equipped)
3. Use Figure 54, Figure 55, Figure 56, or Figure 57 to determine the generator set voltage configuration. Note the original voltage and reconnect as needed. Route leads through current transformers (CTs) and connect them according to the diagram for the desired phase and voltage.

Note:

Position current transformers CT1, CT2, and CT3 with the dot or HI side CT marking toward the generator set.

4. Reconnect the battery, negative lead last.
5. Use SiteTech™ software to update the information.
6. Refer to the section titled: GenSet Calibration for generator set calibration at the controller.
7. Press the generator set master control RUN button to start the generator set. Check the digital display for correct voltages using section titled: Generator Metering.
8. Press the generator set master control OFF/RESET button to stop the generator set after completing the voltage adjustments.

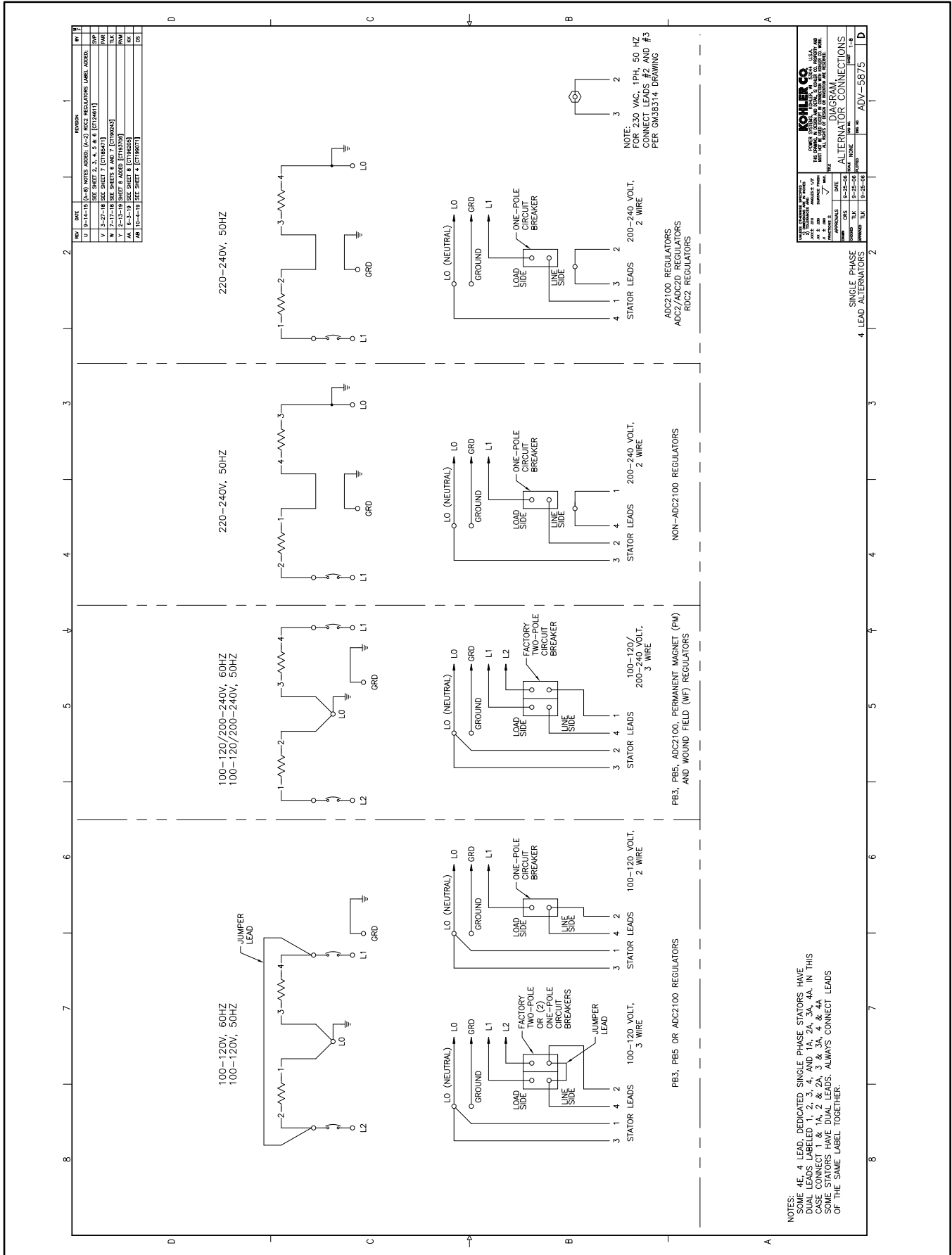


Figure 54 20- 150 kW Permanent Magnet Single-Phase Alternators, ADV-5875AB-1

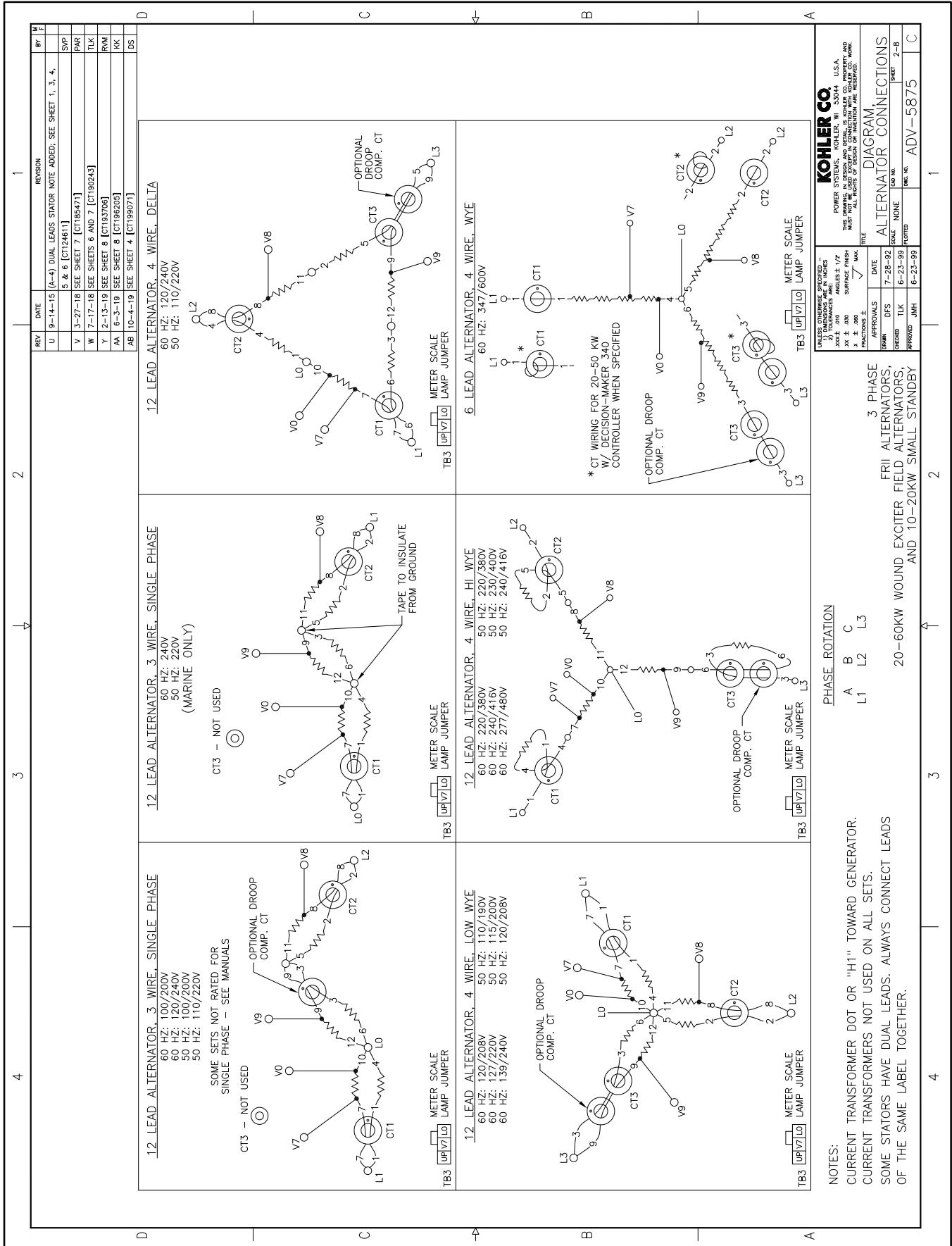


Figure 55 20- 300 kW Permanent Magnet Alternators, ADV-5875AB-2

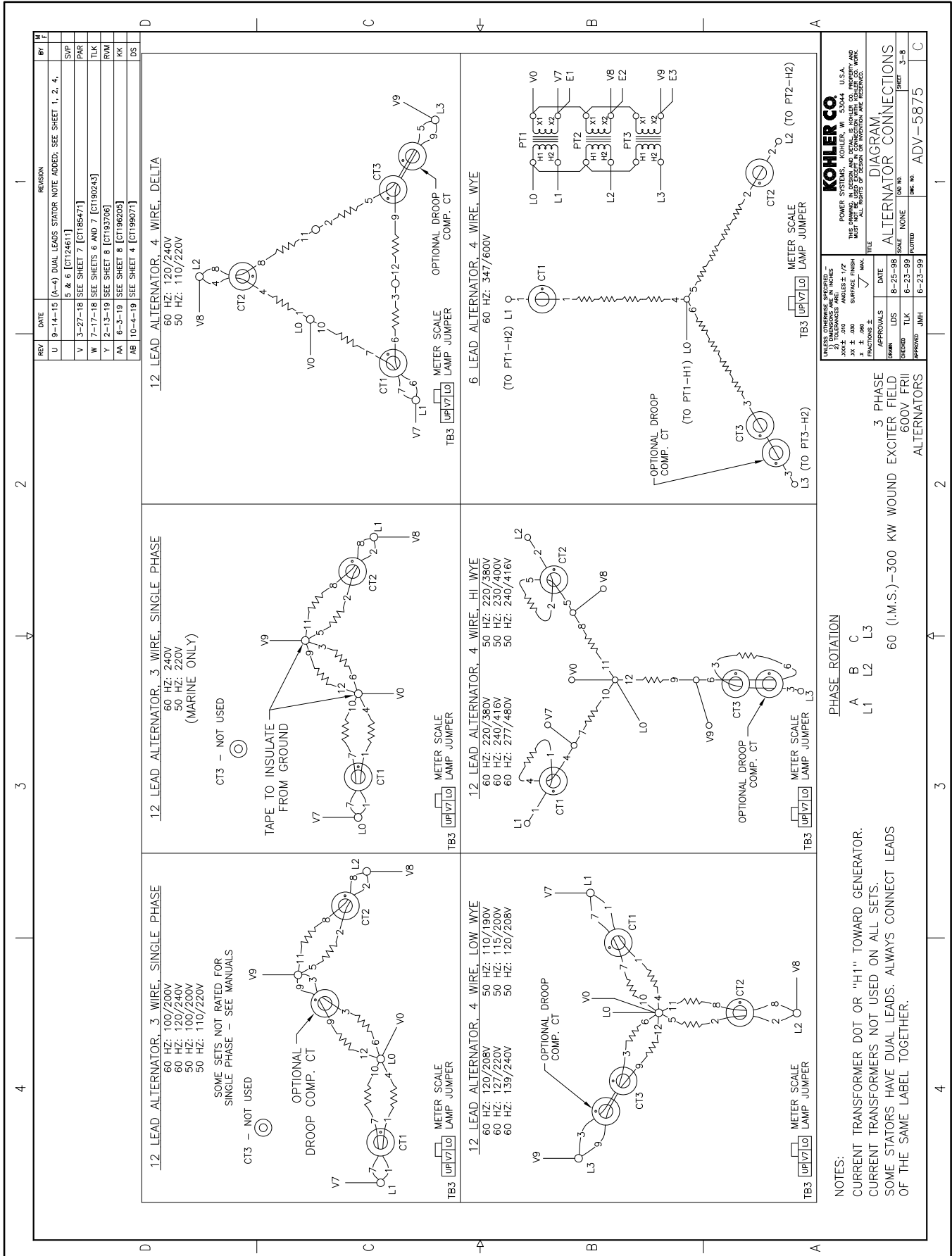
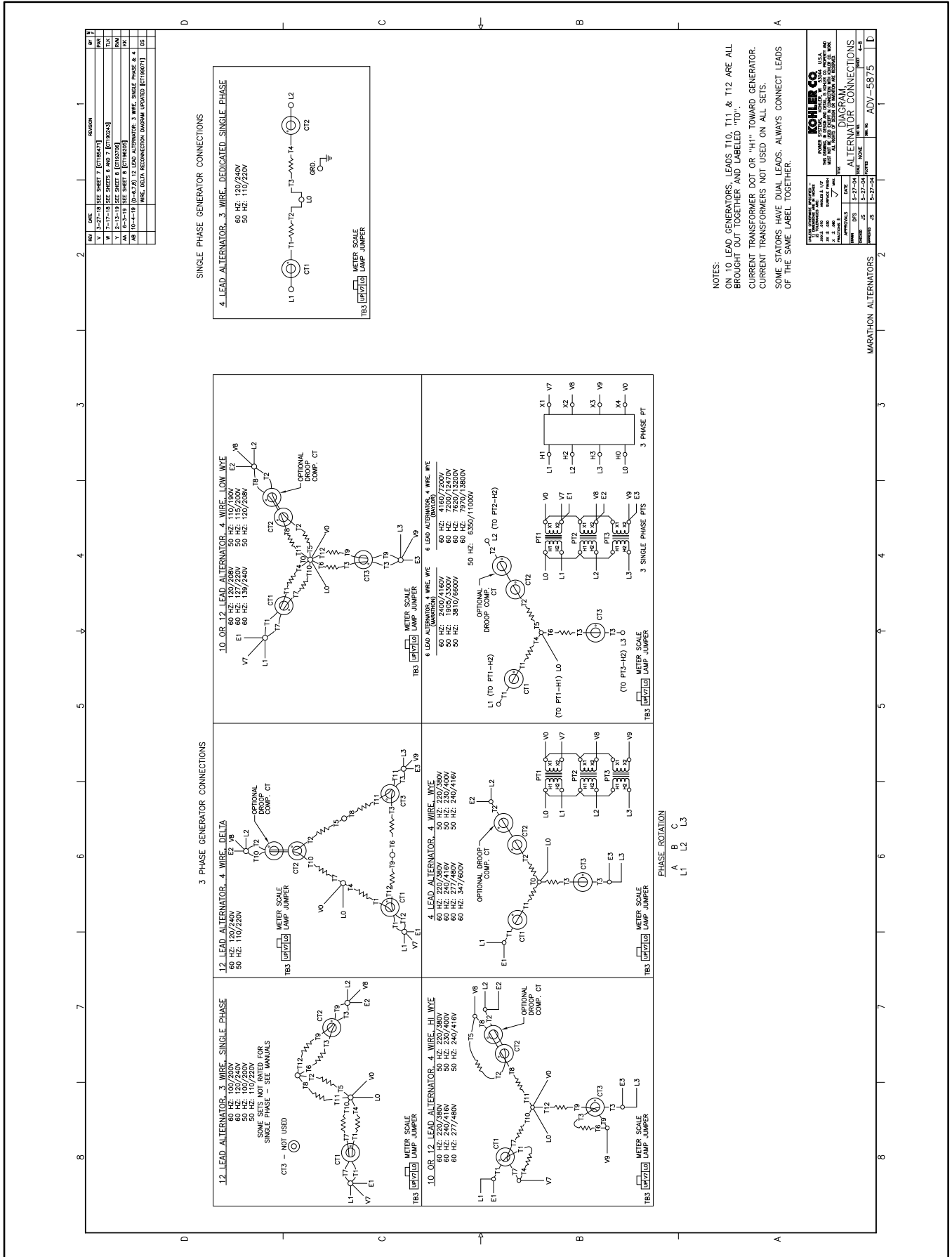


Figure 56 60 IMS- 300 kW Wound Exciter Field & 20- 300 kW, 600 V Perm. Magnet Alternators, ADV-5875AB-3

126 TP-6694 9/20



6.1 Accessories and Connections

Several accessories help finalize installation, add convenience to operation and service, and establish state and local code compliance.

Accessories vary with each generator set model and controller. Select factory-installed and/or shipped-loose accessories. See Figure 58 for a list of available kits. Obtain the most current accessory information from your local authorized service distributor/dealer.

This section illustrates several accessories available at print time of this publication. Accessory kits generally include installation instructions. See wiring diagrams manual for electrical connections not shown in this section. See the installation instructions and drawings supplied with kit for information on kit mounting location.

The instructions provided with the accessory kit supersede these instructions where there are differences. In general, run AC and DC wiring in separate conduit. Use shielded cable for all analog inputs. Observe all applicable national, state, and local electrical codes during accessory installation.

See the section titled: Accessory Connections for terminal identification.

Kit Description
Battery Charger (with alarms)
Common Fault/Failure (32A) Connections
Fifteen-Relay Dry Contact Board with NO and NC Contacts
Gas Fuel Valve
Input/Output Module Board
Key Switch
Low Fuel (Level) Switch
Low Fuel (Pressure) Switch
Manual Speed Adjust
Prime Power Switch
Remote Emergency Stop
Remote Reset Feature
Remote Serial Annunciator
Run Relay
Shunt-Trip Line Circuit Breaker

Figure 58 Optional Accessories

6.1.1 Battery Chargers

The following battery chargers are available for the generator sets covered in this manual:

- 6 amp, 12 volt battery charger
- 10 amp battery charger with alarms (meets NFPA requirements)

Refer to the documentation provided with the battery charger for installation and operation instructions.

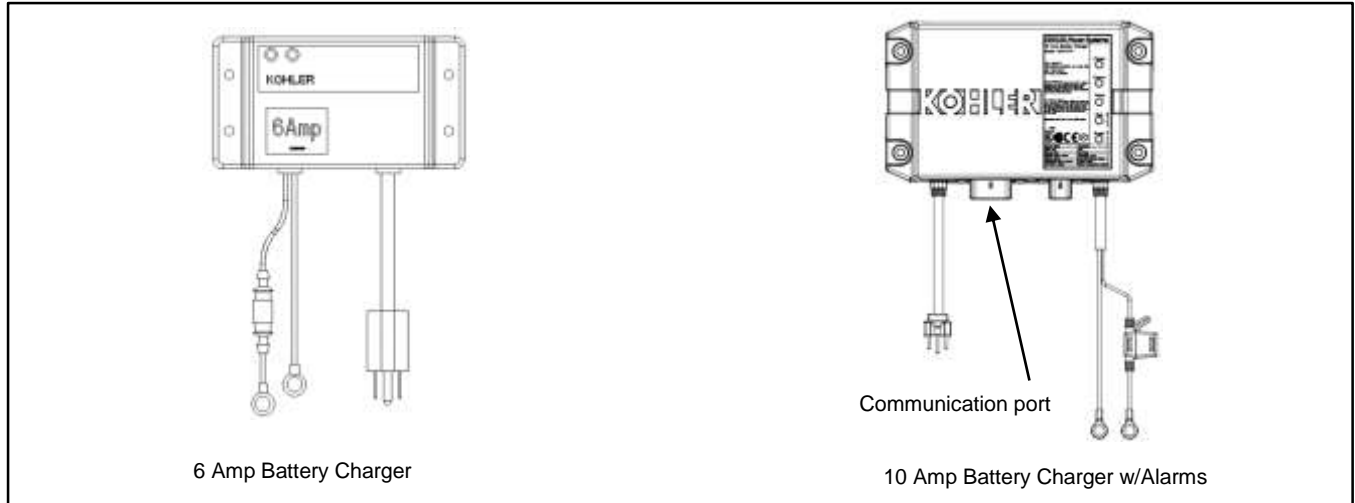


Figure 59 Battery Chargers

6.1.2 Battery Charger Kit with Alarm Option

The battery charger with alarm option provides battery charging to the engine starting battery(ies) and connects to the controller for fault detection. Battery chargers for 12- or 24-volt models are available as a generator set accessory. See Figure 60 and Figure 61 for battery connections.

Note:

On charger GM87448, the Battery Charger Fault is communicated through CAN communication and the connection on TB1 is not used.

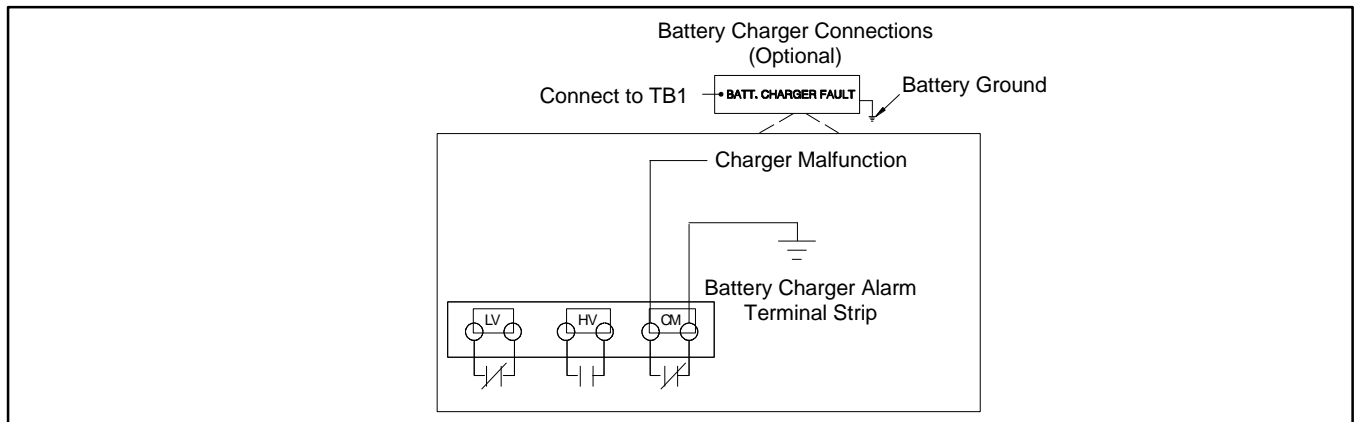


Figure 60 Battery Charger Connections

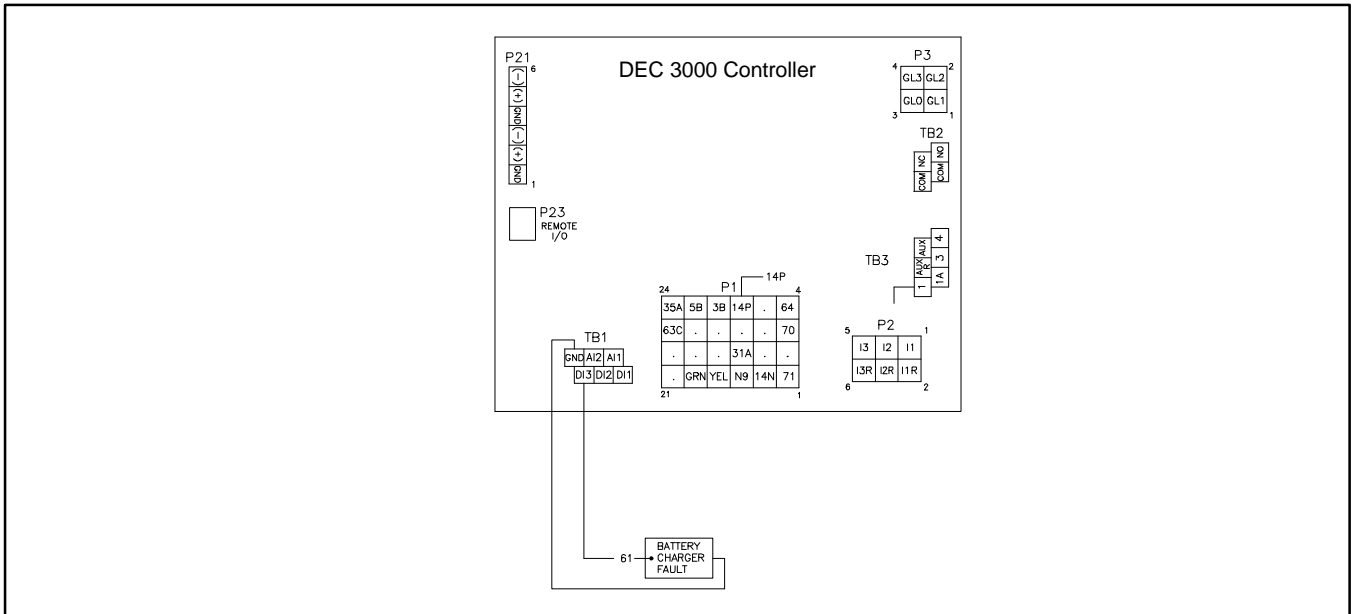


Figure 61 Battery Charger to Controller Connections

6.1.3 Common Fault/Failure (32A) Relay

The common fault relay is standard on the controller circuit board and located at the TB2 terminal strip connections. Contacts are rated at 2 amps at 32 VDC or 0.5 amps at 120 VAC max. See Figure 62 and Figure 63.

The optional common fault relay shown in Figure 63 as DCB2 has contacts rated at 10 amps at 28 VDC or 120 VAC and can be connected to user-supplied accessories.

The optional common fault relay shown in Figure 63 as DCB1 has contacts rated at 10 amps at 28 VDC or 120 VAC and is used to trigger the shunt-trip line circuit breaker kit (mentioned later in this section).

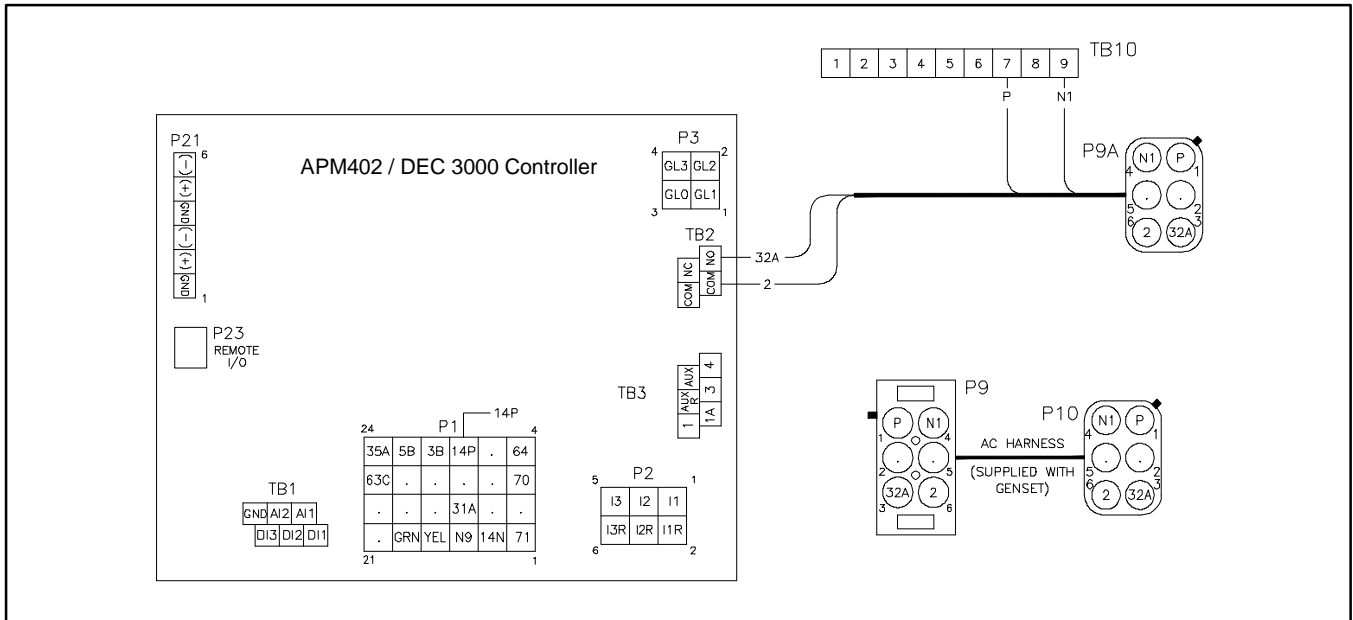


Figure 62 Common Fault Relay Wiring (Standard)

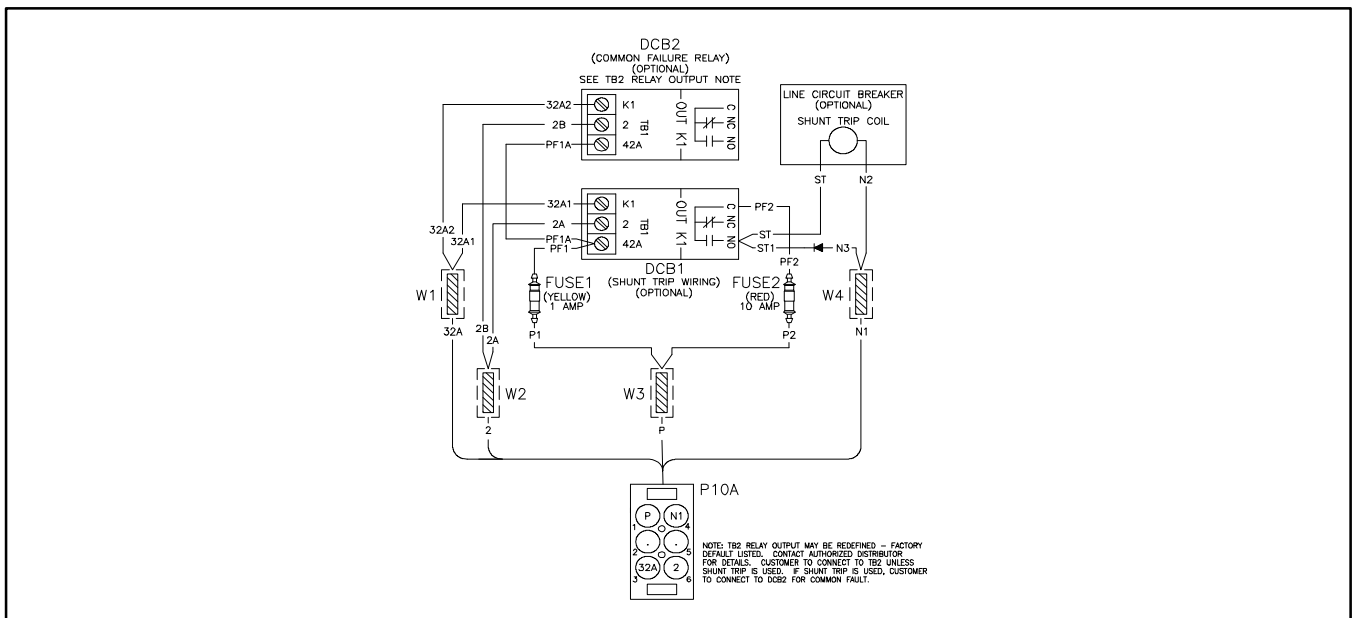


Figure 63 Common Fault Relay Kit and Shunt-Trip Relay Kit Wiring

6.1.4 Four-Input/Fifteen-Output Module

The optional 4-input/15-output module is available for selected models. The 4-input/15-output module is not available with the 2-input/5-output module.

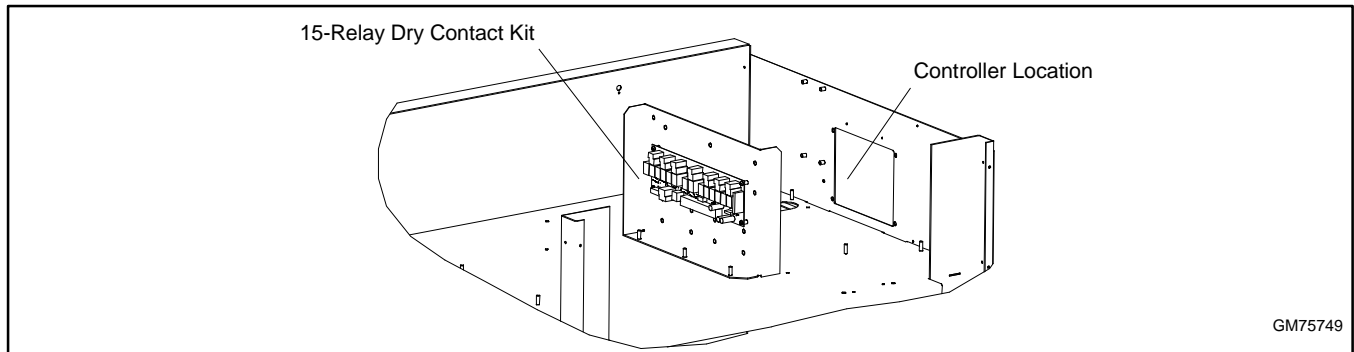


Figure 64 Optional 15-Relay Dry Contact Kit

The optional 4-input/15-output module (see Figure 64 and Figure 65) provides normally open and normally closed contacts to activate warning devices and other user-provided accessories allowing remote monitoring of the generator set. Connect any controller fault output to the module. Typically, lamps, audible alarms, or other devices signal the fault conditions.

The 4-input/15-output module is factory-installed and connected to the controller.

A personal computer with Kohler® SiteTech™ software is required to assign the inputs and outputs. SiteTech™ is available only to Kohler-authorized distributors and dealers.

The module has four digital inputs and two analog inputs. There are fourteen programmable relay outputs (K1 – K14) and one common fault relay output (K15).

When a generator fault condition occurs, the contact kit relay is energized. The relay energization corresponds to the controller output being activated.

Check the electrical requirements of the user-supplied accessories prior to installation of the relay dry contact kit. User-supplied accessories require their own electrical source and must not exceed the relay contact ratings.

Connect to the normally open (NO) or normally closed (NC) terminals as required for each accessory. The relay contacts (K1 to K14) are rated:

- 10 amp @ 120 VAC
- 10 amp @ 28 VDC (max.)
- 0.01 amp @ 28 VDC (min.)

The common fault relay contact (K15) is rated:

- 500 mA @ 125 VAC
- 2 amp @ 30 VDC

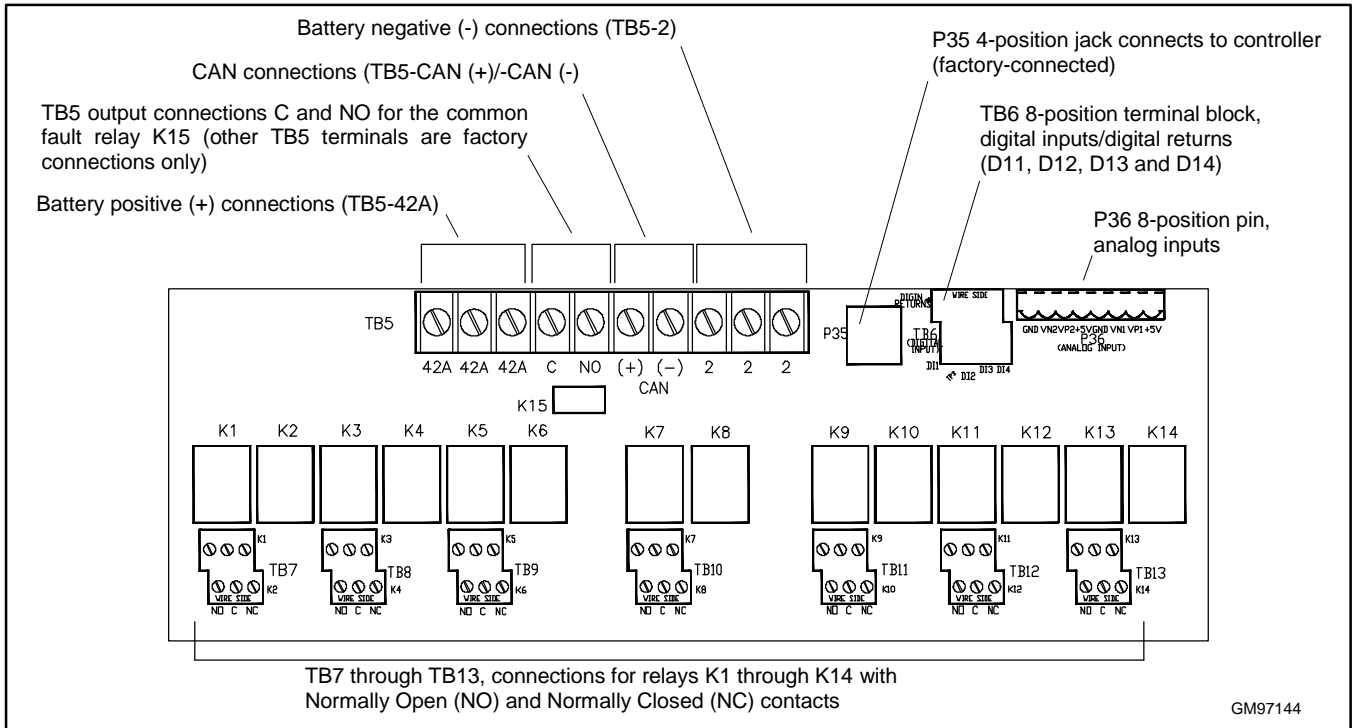


Figure 65 4-Input/15-Output Module Customer Connections

Connections





Leads 42A and 2 provide power to the relays. Do not use terminals 42A (+) or 2 (GND) on the controller connection kit terminal strip to supply voltage to user-supplied accessories. User-supplied DC accessories require separate leads connected directly to the battery for the voltage supply. Attach user-supplied 12/24-volt DC accessories to the battery positive (+) connection at the starter solenoid and to the battery negative (-) connection at the engine ground. The 120 VAC accessories require a user-supplied voltage source.

Note:

A maximum of three inputs may be connected to a single relay driver output. Inputs include dry contacts, remote annunciator, common failure alarm, A/V alarm, and shunt trip line circuit breaker.

Note:

Only one 4-input/15-output module can be connected to the controller.

 WARNING	Accidental starting. Can cause severe injury or death. Disconnect the battery cables before working on the generator set. Remove the negative (-) lead first when disconnecting the battery. Reconnect the negative (-) lead last when reconnecting the battery.
  	

Disabling the generator set. Accidental starting can cause severe injury or death. Before working on the generator set or equipment connected to the set, disable the generator set as follows: (1) Press the generator set off/reset button to shut down the generator set. (2) Disconnect the power to the battery charger, if equipped. (3) Remove the battery cables, negative (-) lead first. Reconnect the negative (-) lead last when reconnecting the battery. Follow these precautions to prevent the starting of the generator set by the remote start/stop switch.

Battery short circuits. Explosion can cause severe injury or death. Short circuits can cause bodily injury and/or equipment damage. Disconnect the battery before generator set installation or maintenance. Remove all jewelry before servicing the equipment. Use tools with insulated handles. Remove the negative (-) lead first when disconnecting the battery. Reconnect the negative (-) lead last when reconnecting the battery. Never connect the negative (-) battery cable to the positive (+) connection terminal of the starter solenoid. Do not test the battery condition by shorting the terminals together.

Electrical Connection Procedure

1. Press the generator set master control OFF/RESET button.
2. Disconnect the power to the battery charger, if equipped.
3. Disconnect the generator set engine starting battery(ies), negative (-) lead first.
4. Remove the top panel of the controller connection box.
 - a. 80 – 300 kW models: Remove the top panel of the controller connection box.
 - b. 350 – 500 kW models: Remove the front panel from the junction box below the controller.
5. See Figure 66 for connections of analog inputs.
6. Select the normally open (NO) contacts of the relay, Form A dry contact, depending upon the application. Use a two-wire harness for the NO connections.
7. Supply two lengths of stranded wire to make leads long enough to connect the user-supplied device to the dry contact terminals and power supply. Use color-coded wire for easy identification. Make leads long enough to allow for walls, ductwork, and other obstructions. Use separate conduit for the dry contact wiring.
8. **12/24-Volt DC Devices.**
 Attach the user-supplied 12/24-volt DC accessories to the starting battery positive (+) connection at the starter solenoid and to the battery negative (-) connection at the engine ground. Otherwise, use a separate 12/24-volt DC supply. Do not use terminals 42A and 2 on the controller connection kit terminal strip to supply the voltage to the relay contacts. Supply separate leads connected directly to the battery for the supply voltage. The circuit must include fuse or circuit breaker protection.
9. **120-Volt AC Devices.**
 Connect the user-supplied accessories to a separate 120-volt AC power supply. The circuit must include fuse or circuit breaker protection.
10. Connect the user-supplied device per the Instructions and/or schematic supplied with the device to a power source and to the dry contact terminals. Cut the user-supplied leads to length, strip lead ends, crimp on spade terminals (not supplied), and connect the leads to the relay contact screw terminals. Route the wiring for the relay dry contacts away from the generator set output leads.
11. Repeat Step 6 for the remaining dry contact relays.

12. Replace the cover on the controller connection box.
13. Check that the generator set is in the OFF mode.
14. Reconnect the generator set engine starting battery, negative (-) lead last.
15. Reconnect power to the battery charger, if equipped.

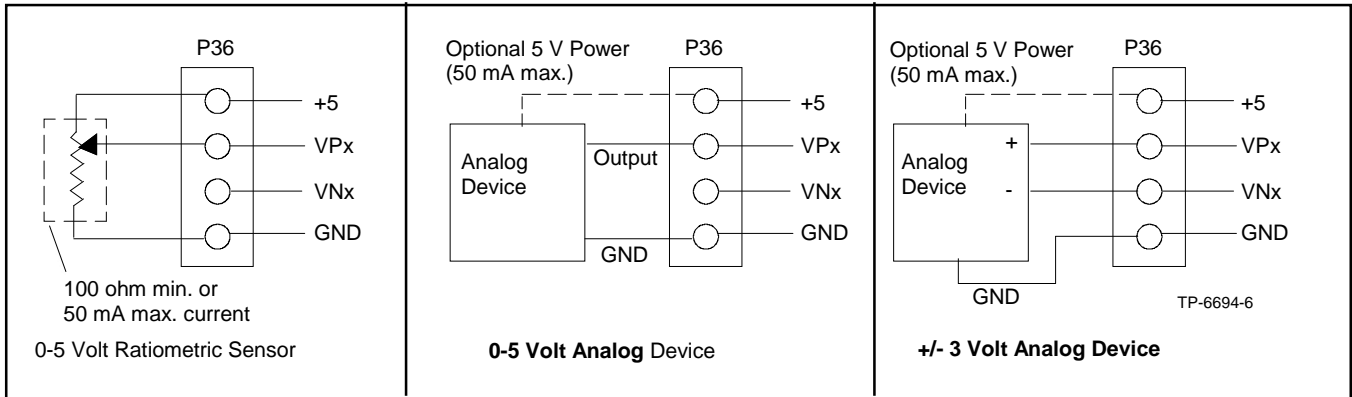


Figure 66 Dry Contact Kit Analog Input Connections P36

Program the inputs and outputs using SiteTech™

Use a computer with Kohler SiteTech™ software to assign functions to digital and analog inputs and outputs. Each input and output corresponds to a controller connection. Verify that the settings are appropriate for the connected sensor, switch, or equipment. Do not change factory-set inputs and outputs without verifying the input and output connections.

Refer to Introduction-List of Related Materials for the SiteTech™ Software Operation Manual part no.

SiteTech™ input and output parameters C1 through C14 are designated for use on the optional 15-relay dry contact board. See Figure 67.

Test Dry Contact Relays

Verify the dry contact relay function by using the following procedure when troubleshooting.

1. Remove the user-supplied device wiring from the relay dry contact terminals.
2. Test the relay operation by connecting an ohmmeter across the NO and C terminals on the relay terminal strip.
3. Use a jumper wire to ground the selected fault terminal on the controller connection terminal strip. The relay contacts should close and the ohmmeter should display a low resistance reading (continuity).
4. Install the user-supplied device wiring on the relay dry contact output terminals

SiteTech I/O Name	Optional Dry Contact Board Connection
Analog Input C1	P36 Analog Input VN1/VP1
Analog Input C2	P36 Analog Input VN2/VP2
Digital Input C1	TB6 DI1
Digital Input C2	TB6 DI2
Digital Input C3	TB6 DI3
Digital Input C4	TB6 DI4
Digital Output C1	TB7 K1
Digital Output C2	TB7 K2
Digital Output C3	TB8 K3
Digital Output C4	TB8 K4
Digital Output C5	TB9 K5
Digital Output C6	TB9 K6
Digital Output C7	TB10 K7
Digital Output C8	TB10 K8
Digital Output C9	TB11 K9
Digital Output C10	TB11 K10
Digital Output C11	TB12 K11
Digital Output C12	TB12 K12
Digital Output C13	TB13 K13
Digital Output C14	TB13 K14

Figure 67 Optional Inputs and Outputs with Dry Contact Kit

6.1.5 Gas Fuel Valve Kit

This section provides the wiring information for an additional gas fuel valve kit required for UL Approval. See the figure below. Refer to the respective generator set wiring diagrams for additional information and for LP liquid applications.

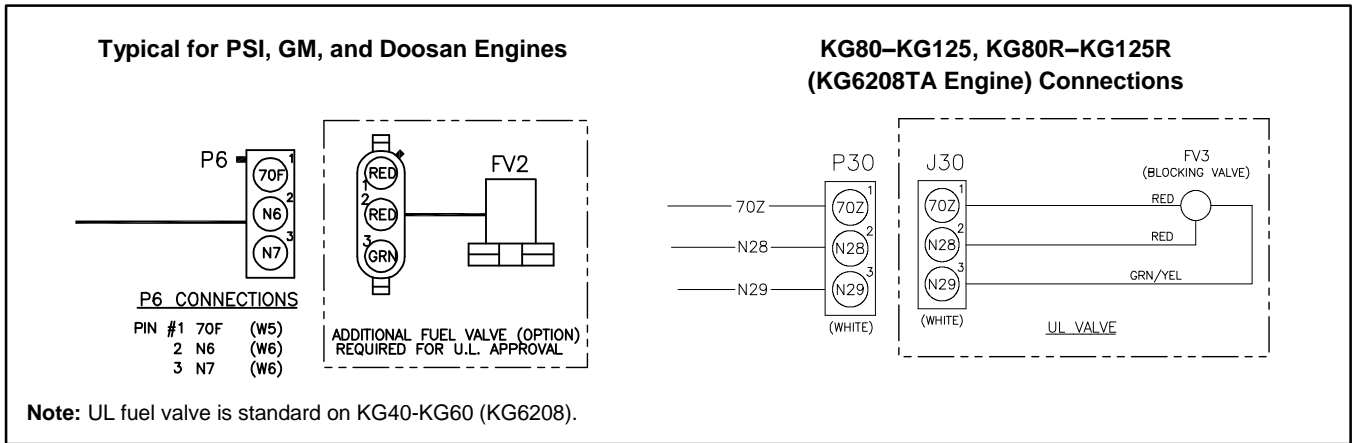


Figure 68 Gas Fuel Valve Kit Connections

6.1.6 Two-Input/Five-Output Module

The two-input/five-output module provides a generator set mounted panel with two analog or digital inputs and five digital outputs. See Figure 70 for circuit board components and electrical connections to the controller.

- See Figure 71 for connections of analog inputs.
- See the following subsection, Accessory Connections, for terminal identification.

Use a computer with Kohler SiteTech™ software to assign functions to digital outputs. Each input and output corresponds to a controller connection. Verify that the settings are appropriate for the connected sensor, switch, or equipment.

- Refer to Introduction—List of Related Materials for the SiteTech™ Software Operation Manual part no.

SiteTech™ analog inputs B1 and B2 and digital outputs B1 through B5 are designated for use on the optional two-input/five-output module. See Figure 69.

SiteTech I/O Name	Optional I/O Module Connection
Analog Input B1 Analog Input B2	P28 Analog Input VN1/VP1 P28 Analog Input VN2/VP2
Digital Output B1 Digital Output B2 Digital Output B3 Digital Output B4 Digital Output B5	P29 (K1) P30 (K2) P31 (K3) P32 (K4) P32 (K5)

Figure 69 Input/Output Assignments

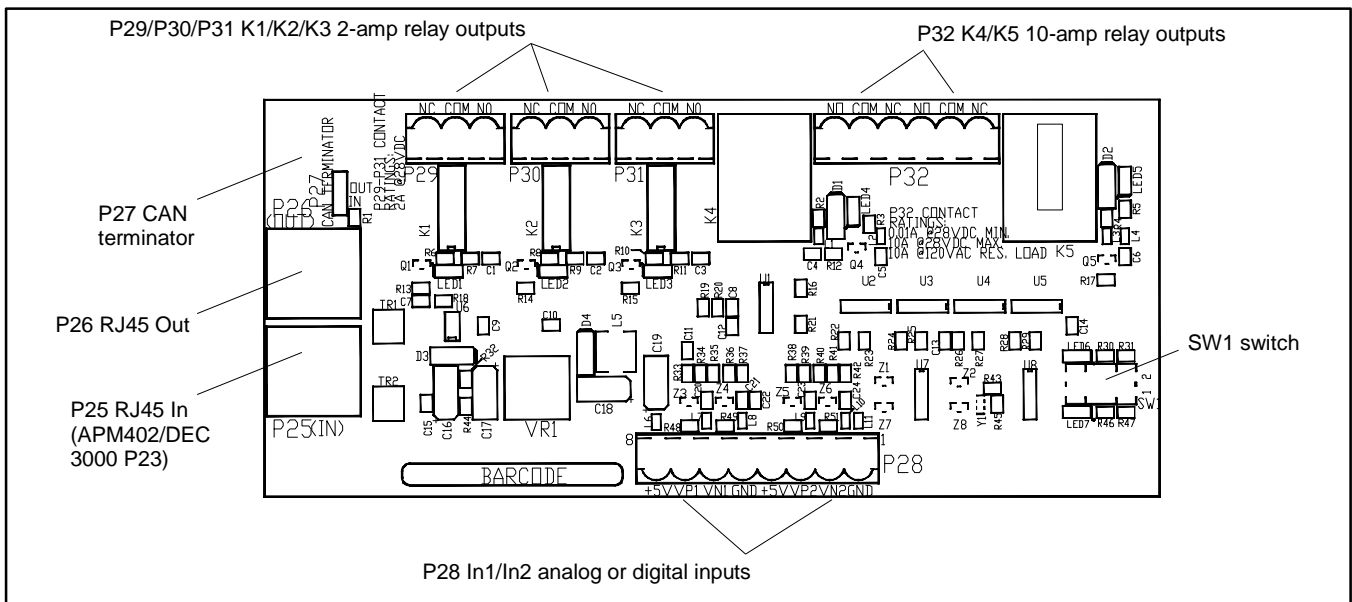


Figure 70 Two-Input/Five-Output Module Board

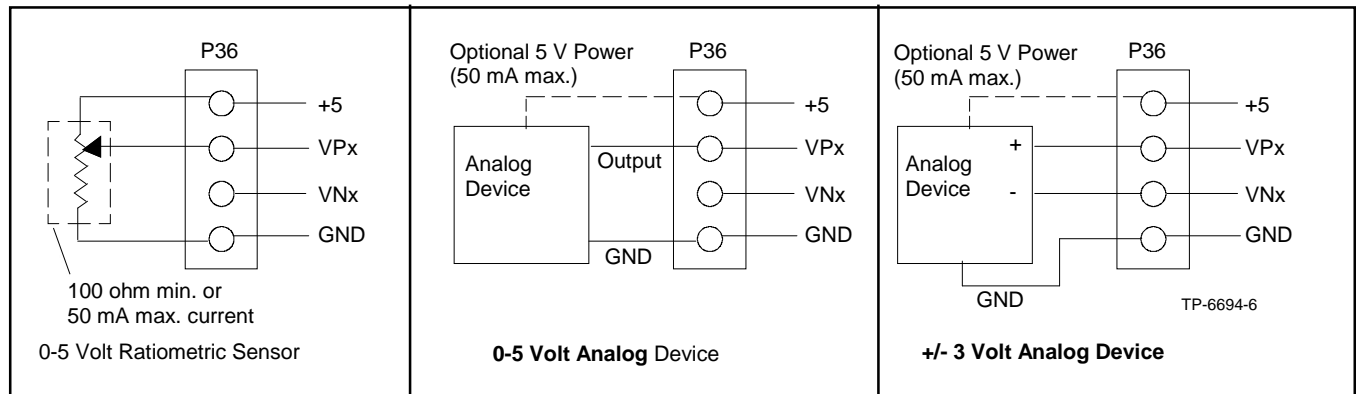


Figure 71 Analog Input Connections P28

6.1.7 Manual Key Switch

A two-position key switch is available for selected models. Turn the key to the ON position to lock the controller in AUTO mode. The key can be removed when the switch is in the ON position.

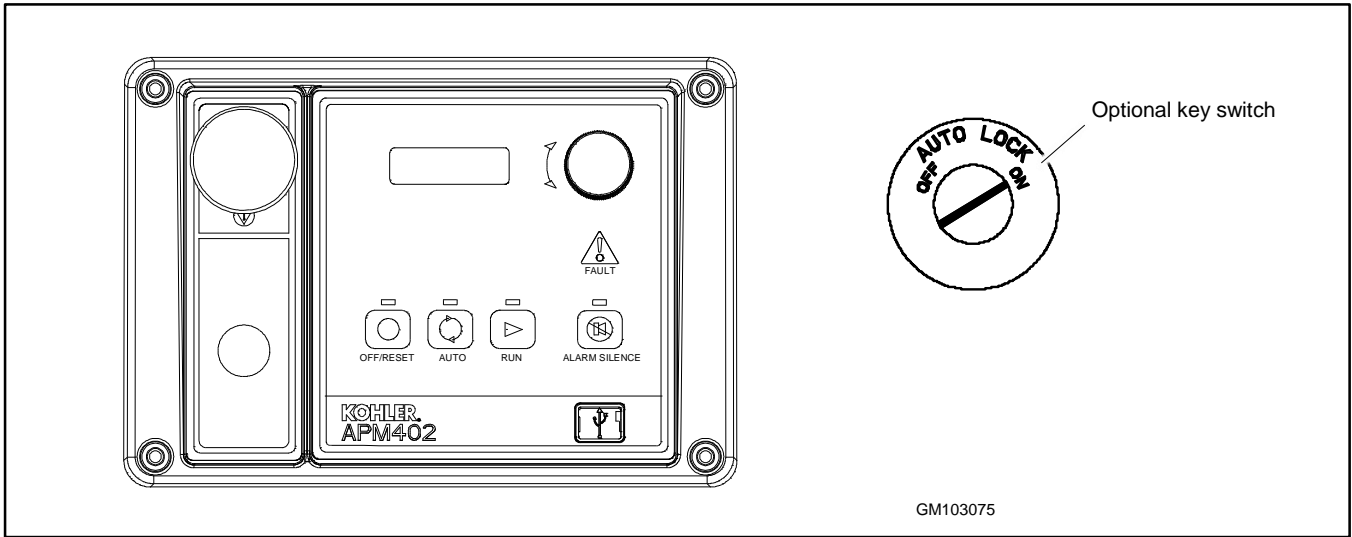


Figure 72 Optional Key Switch

6.1.8 Low Fuel (Level/Pressure) Switch

Some gaseous-fueled models offer a low fuel pressure switch. The low fuel pressure switch connects to the same controller terminal as the low fuel level switch on diesel-fueled models. See Figure 73, Figure 74, and Figure 75.

Note:

The main tank or the transfer/day tank includes the low fuel level switch. The fuel tank supplier typically provides the low fuel level switch.

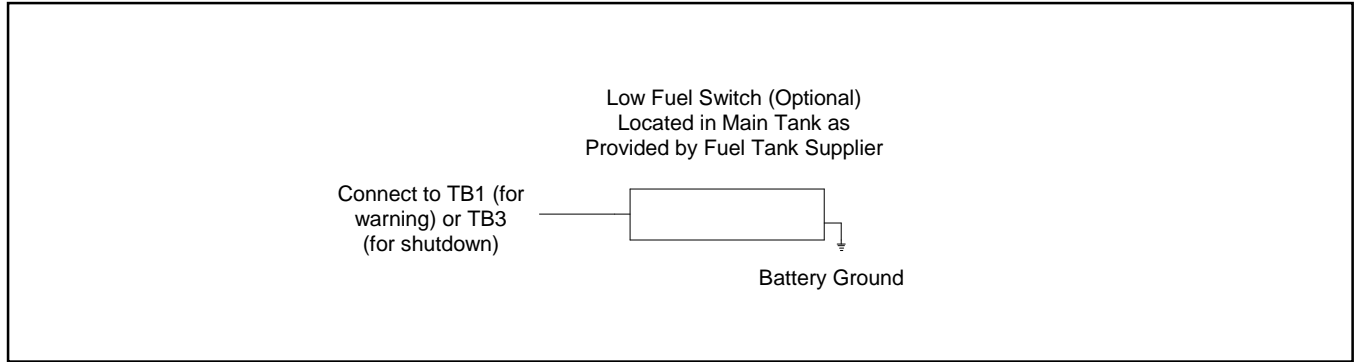


Figure 73 Low Fuel Switch (Level or Pressure)

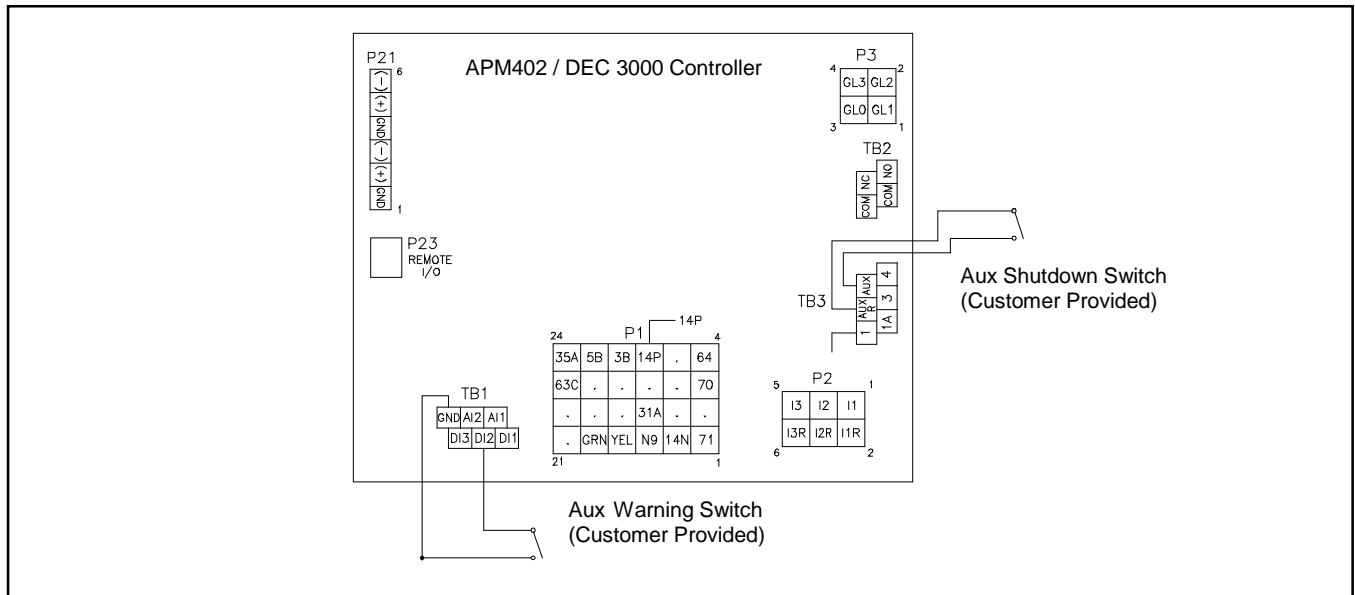


Figure 74 Low Fuel Switch Connection to Controller Connection

Switch Rating	12 volts DC minimum, 0.5 amp minimum
Wiring Recommendation	
Gauge	mm (ft.)
18-20	30.5 (100)
14	153 (500)
10	305 (1000)

Figure 75 Switch Rating & Wiring Recommendation

6.1.9 Manual Speed Adjust (Engine RPM Menu)

Note:

Not available for Decision-Maker® 3000 controllers with software versions before 3.10.3.

The control allows varying the engine speed for applications using closed transition ATS. The user can set the nominal running frequency slightly above or below the utility frequency to ensure that synchronization occurs. Available as a factory-installed option or requires a new factory personality profile. Additional information is shown in the section titled: GenSet System.

6.1.10 Prime Power Switch Kit

The prime power switch kit prevents battery drain during generator set no -operation periods and when the generator set battery cannot be maintained by an AC battery charger. See Figure 76 for an illustration of the kit and Figure 77 for the electrical connections.

Stop the generator set using the stopping procedures in respective operation manual before placing the generator set in the prime power mode. Move the prime power switch located on the junction box to the DOWN position. The controller including the digital display, LEDs, and alarm horn does not function when the generator set is in the prime power mode.

Move the prime power switch located on the junction box to the UP position. The generator set is now ready for starting.

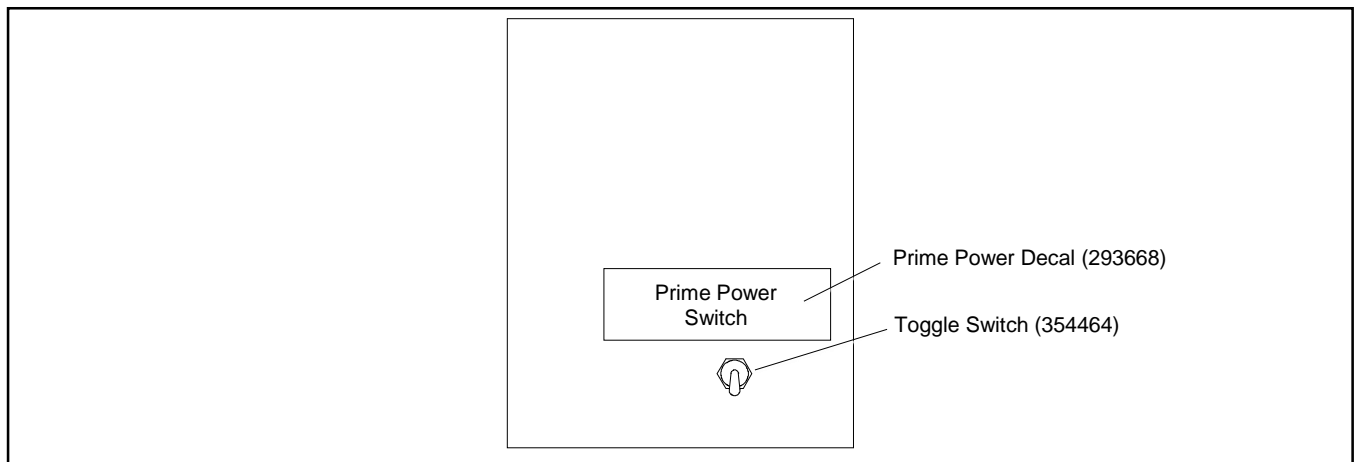


Figure 76 Prime Power Switch

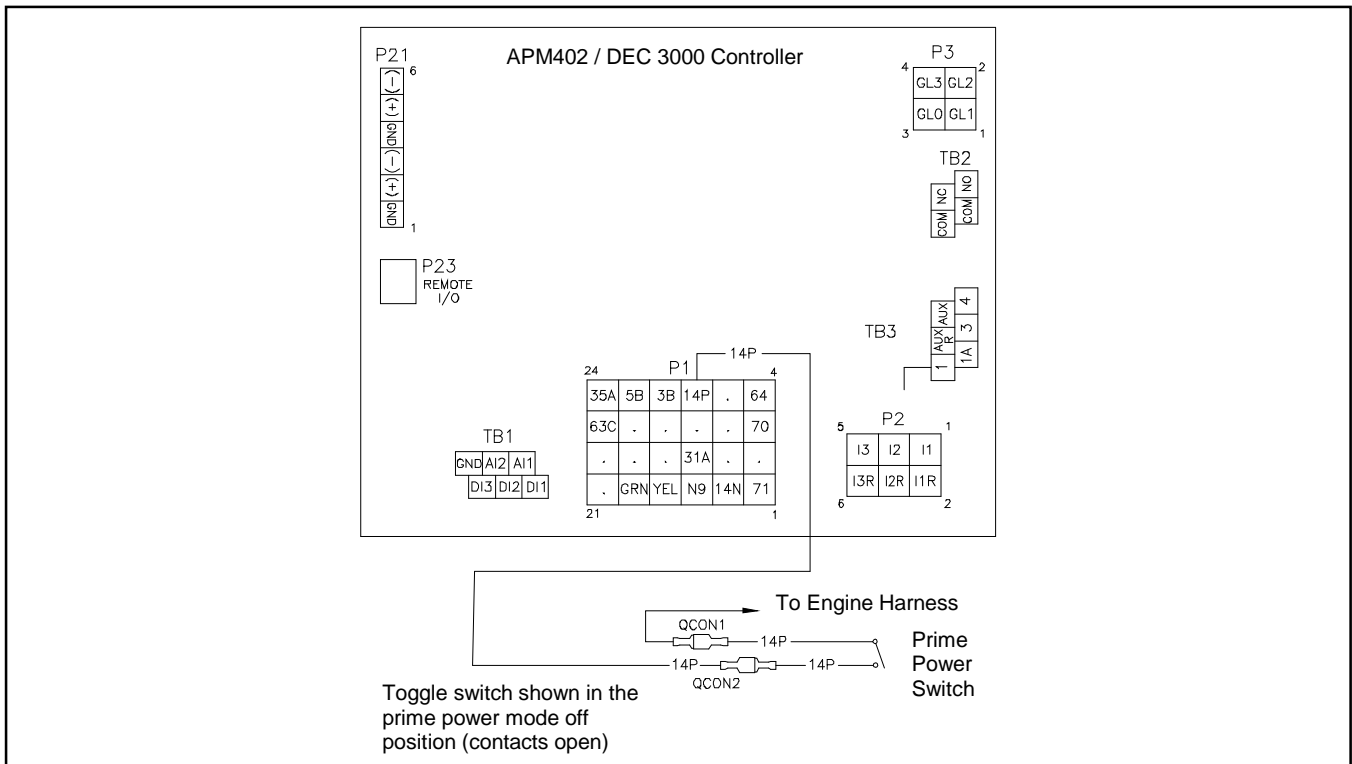


Figure 77 Prime Power Switch Connections

6.1.11 Remote Emergency Stop Kit

The emergency stop (E-stop) kit allows immediate shutdown of the generator set from a remote location. If the emergency stop switch is activated, the EMERGENCY STOP lamp lights and the unit shuts down immediately, bypassing the engine cooldown cycle. Before attempting to restart the generator set, reset the emergency stop switch and reset the generator set by pressing and holding the OFF/RESET button for 3 seconds.

Two emergency stop kits are available. See Figure 78 and the following instructions.

6.1.12 Remote emergency stop kit.

This switch uses a glass piece that must be replaced after activation.

1. To stop the generator set, pull down on the handle, breaking the glass piece.
2. To reset the emergency stop switch, return the handle to the original position and replace the glass piece with a new one.
3. Press and hold the controller's OFF/RESET button for 3 seconds.

Use the single glass piece located inside the switch for replacement and order additional glass pieces as service parts.

6.1.13 Lockable Emergency Stop Switch

This switch can be locked in the activated position to prevent generator set starting. Use a customer-provided locking device inserted into the holes in the shroud to lock the switch until the generator set can be operated safely.

Operation

Press the red STOP button to shut down the generator set in an emergency.

Using the emergency stop button bypasses the engine cooldown cycle, stopping the engine immediately. The emergency stop LED on the RSA III lights (if equipped) and the unit shuts down. The generator set cannot be restarted until the emergency stop switch(es) is/are reset.

Lockout/Tagout

The emergency stop button can be locked in the STOP position. Insert a lock through two openings in the yellow shroud to prevent the stop button from being pulled out. See Figure 78. Remove the lock for normal operation.

A lock is not required in order to keep the switch activated. The switch button will stay depressed until it is pulled out by the operator.

Resetting the Emergency Stop Switch

To reset the E-stop switch, remove the locking device and pull the button out. Reset the controller by pressing and holding the OFF/RESET button for 3 seconds.

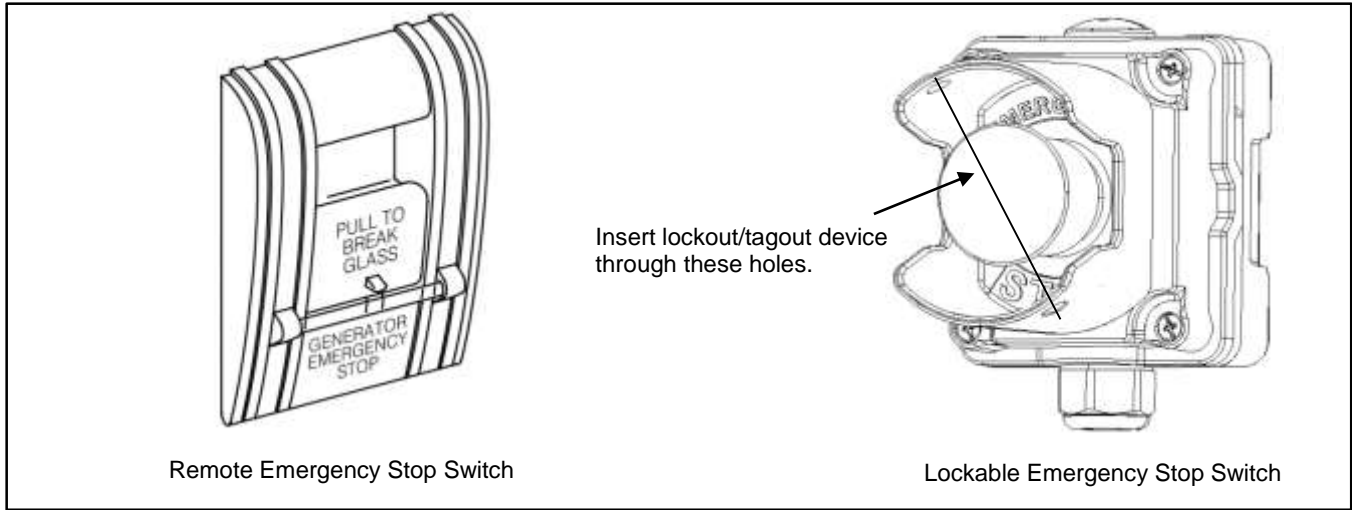


Figure 78 Remote Emergency Stop Switches

6.1.14 Remote Reset Feature

The remote reset switch provides generator set controller resetting after a fault shutdown at a remote location. See Figure 79 and Figure 80 for user-supplied switch connection.

Press and hold the switch for 2-3 seconds and release to reset the generator set controller.

See the following subsection, "Accessory Connections," for terminal identifications.

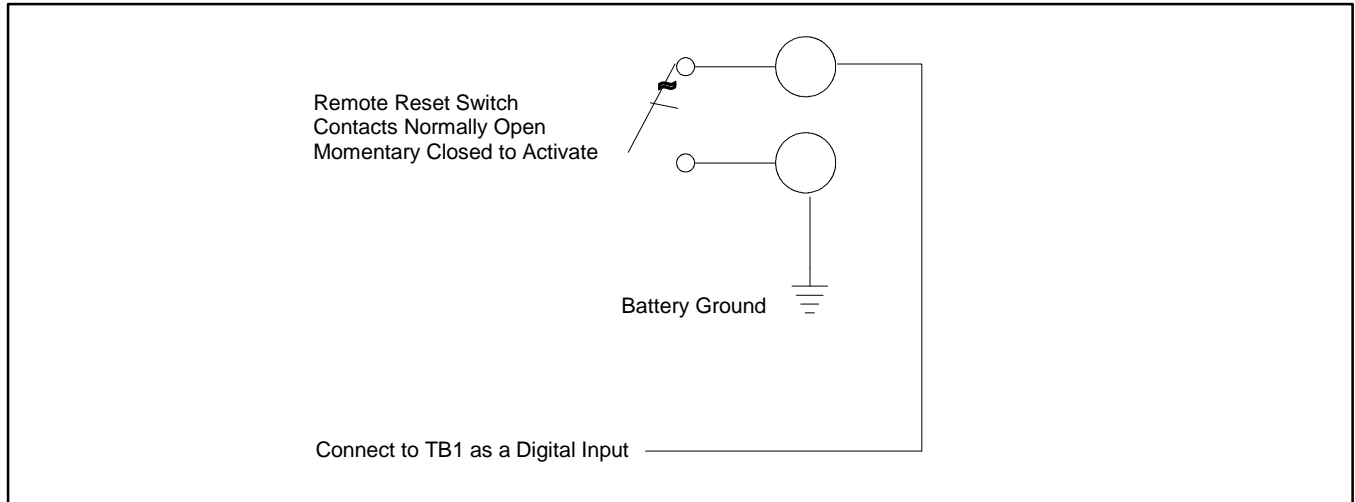


Figure 79 Remote Reset Switch Connections

Switch Rating	12 volts DC minimum, 1 amp minimum
Wiring Recommendation	
Gauge	m (ft.)
18-20	30.5 (100)
14	153 (500)
10	305 (1000)

Figure 80 Switch Rating & Wiring Recommendations

6.1.15 Remote Serial Annunciator

The RSA III is an annunciator panel offered in several kit configurations to support Kohler power equipment. See Figure 81. The RSA III is a remote serial annunciator that monitors the status of the generator set and/or ATS from a remote location. The RSA III alerts the operator through visual and audible signals using LED indication and a horn. An alarm silence / lamp test switch is included.

The RSA III meets NFPA 110, Level 1 (2005) applications that require remote controls and alarms be powered by a storage battery such as the engine starting battery. AC adaptor kit GM62466-KP1 is available when NFPA is not required.

The front panel decals include areas that can be used to identify user-selected fault inputs and identify associated power system equipment.

An RSA III annunciator can be used for a single generator set or with a combination of a generator set and automatic transfer switch. In systems using more than a single RSA III, one must be designated as the master device to broadcast to additional RSA III annunciators, designated as slave devices. Up to five RSA III slave devices can be used with an RSA III master device. All RSA III annunciators are factory set as the master device, but can be changed to a slave device using a PC and SiteTech™ software that connects to the RSA III front panel via a universal serial bus (USB) connection.

The RSA II and RSA 1000 can be connected with the RSA III provided that the master remote annunciator is an RSA III.

Refer to TT-1625 Remote Serial Annunciator (RSA III) Kits for operation and installation instructions.

A personal computer with SiteTech™ software is required to make the RSA III functional. SiteTech is available to Kohler authorized distributors and dealers. Refer to TP-6701, SiteTech Software Operation Manual, for more information.

The RSA III kits include components for surface mounting or flush mounting.

Figure 82 shows the status of the system ready LED, generator set running LED, communication status LED, common fault LED, common fault output, and horn for each fault or status condition.

If a fault occurs, the RSA III horn activates and the corresponding LED illuminates. The following paragraphs describe specific features of the RSA III.

If the RSA III is used with an Ethernet communication network, order Modbus® Ethernet converter GM41143-KP2 and refer to TT-1405 Converters, Connections, and Controller Setup for Network Communication for system installation.

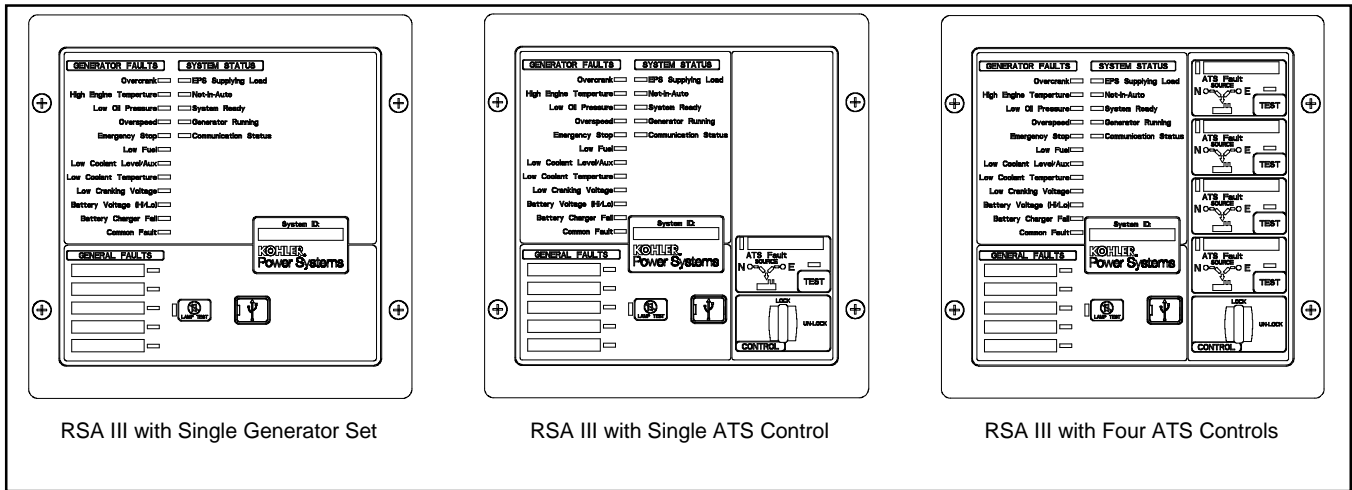


Figure 81 Remote Serial Annunciator (RSAIII)

Fault and Status Condition	Fault LED	System Monitoring LEDs and Functions					
		System Ready LED	Generator Running LED	Communications Status LED	Common Fault LED	Common Fault Output	Horn
Overcrank (Shutdown)	Red SF	Red SF	Off	Green	Red SF	On	On
High Engine Temperature (Warning)	Yellow SF	Red SF	Green	Green	Yellow SF	On	On
High Engine Temperature (Shutdown)	Red SF	Red SF	Off	Green	Red SF	On	On
Low Oil Pressure (Warning)	Yellow SF	Red SF	Green	Green	Yellow SF	On	On
Low Oil Pressure (Shutdown)	Red SF	Red SF	Off	Green	Red SF	On	On
Overspeed (Shutdown)	Red SF	Red SF	Off	Green	Red SF	On	On
Emergency Stop	Red SF	Red SF	Off	Green	Red SF	On	On
Low Coolant Level/Aux (Shutdown)	Red SF	Red SF	Off	Green	Red SF	On	On
Low Coolant Temperature	Yellow SF	Red SF	Green or Off	Green	Yellow SF	On	On
Low Fuel (Level or Pressure)	Yellow SF	Red SF	Green or Off	Green	Yellow SF	On	On
Low Cranking Voltage	Yellow SF	Red SF	Off	Green	Yellow SF	On	On
Battery Voltage (Hi)	Yellow	Red SF	Green or Off	Green	Yellow SF	On	On
Battery Voltage (Lo)	Yellow SF	Red SF	Green or Off	Green	Yellow SF	On	On
Battery Charger Fail	Yellow SF	Red SF	Green or Off	Green	Yellow SF	On	On
Common Fault (Warning)	Yellow SF	Green	Green or Off	Green	Yellow SF	On	Off
Common Fault (Shutdown)	Red SF	Green	Green or Off	Green	Red SF	On	On
User-Defined Digital Input 1 (Warning)	Yellow SF	Green	Green or Off	Green	Off	Off	Off
User-Defined Digital Input 1 (Shutdown)	Red FF	Green	Green or Off	Green	Off	On	On
User-Defined Digital Input 2 (Warning)	Yellow SF	Green	Green or Off	Green	Off	Off	Off
User-Defined Digital Input 2 (Shutdown)	Red FF	Green	Green or Off	Green	Off	On	On
User-Defined Digital Input 3 (Warning)	Yellow SF	Green	Green or Off	Green	Off	Off	Off
User-Defined Digital Input 3 (Shutdown)	Red FF	Green	Green or Off	Green	Off	On	On
User-Defined Digital Input 4 (Warning)	Yellow SF	Green	Green or Off	Green	Off	Off	Off
User-Defined Digital Input 4 (Shutdown)	Red FF	Green	Green or Off	Green	Off	On	On
User-Defined Digital Input 5 (Warning)	Yellow SF	Green	Green or Off	Green	Off	Off	Off
User-Defined Digital Input 5 (Shutdown)	Red FF	Green	Green or Off	Green	Off	On	On
ATS Position N (RSA III with ATS only)	Green	Green	Green or Off	Green	Off	Off	Off
ATS Position E (RSA III with ATS only)	Red	Red SF	Green or Off	Green	Off	Off	Off
ATS Available N (RSA III with ATS only)	Green	Green	Green or Off	Green	Off	Off	Off
ATS Available E (RSA III with ATS only)	Red	Red SF	Green or Off	Green	Off	Off	Off
ATS Test (RSA III with ATS only, Test initiated at ATS)	Yellow	Green	Green or Off	Green	Off	Off	On
ATS Test (RSA III with ATS only, Test initiated at RSA)	Green	Green	Green or Off	Green	Off	Off	On
ATS Fault (RSA III with ATS only, No fault)	Green	Green	Green or Off	Green	Off	Off	On
ATS Fault (RSA III with ATS only, With fault)	Red FF	Red SF	Green or Off	Green	Off	Off	On
EPS Supplying Load	Green	Green	Green or Off	Green	Off	Off	Off
Not-In-Auto	Red FF	Red SF	Off	Green	Yellow SF	On	On
Communication Status (Loss - Master)	Red FF	Off	Off	Red FF	Off	On	On
Communication Status (Loss - Slave)	Red SF	Off	Off	Red SF	Off	On	On

Note: SF = Slow Flash (once per second), FF = Fast Flash (five times per second)

Figure 82 RSA III System Monitoring LEDs and Functions

6.1.16 Run Relay Kit

The run relay kit energizes only when the generator set runs. Use the run relay kit to control air intake and radiator louvers, alarms, and/or other signalling devices. See Figure 83 and Figure 84.

See the section titled: Accessory Connections, for terminal identifications.

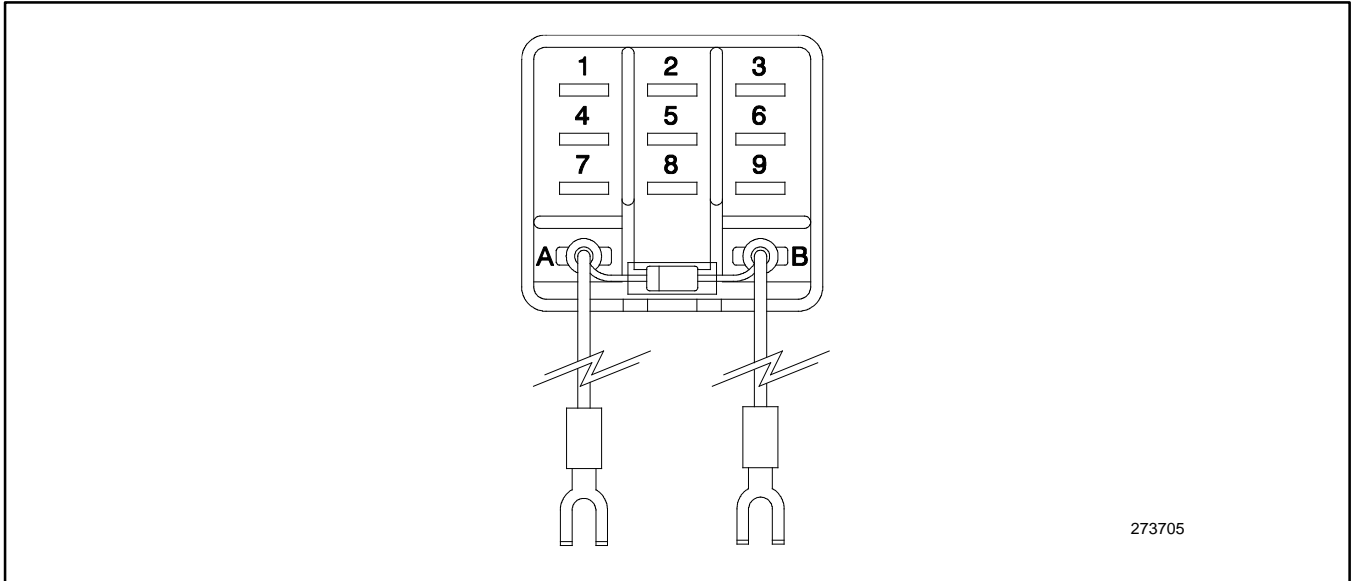


Figure 83 Run Relay Kit

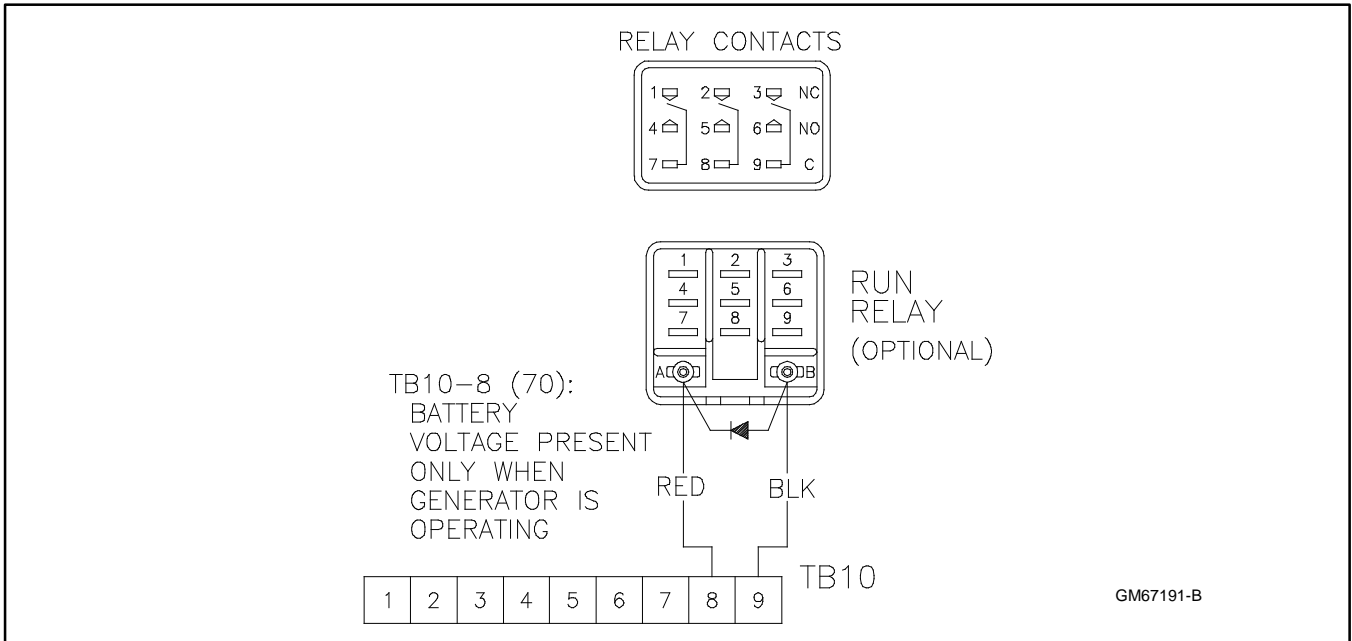


Figure 84 Run Relay Connections

6.1.17 Shunt-Trip Line Circuit Breaker

A shunt-trip line circuit breaker provides a 12- or 24-DC volt solenoid within the line circuit breaker case that can energize the trip mechanism. This feature allows the circuit breaker to be tripped by the common fault (32A). Connection requires a shunt-trip wiring kit and a dry contact kit. See Figure 85 and Figure 86.

The optional common fault relay shown in Figure 86 as DCB1 has contacts rated at 10 amps at 28 VDC or 120 VAC and is used to trigger the shunt-trip line circuit breaker kit.

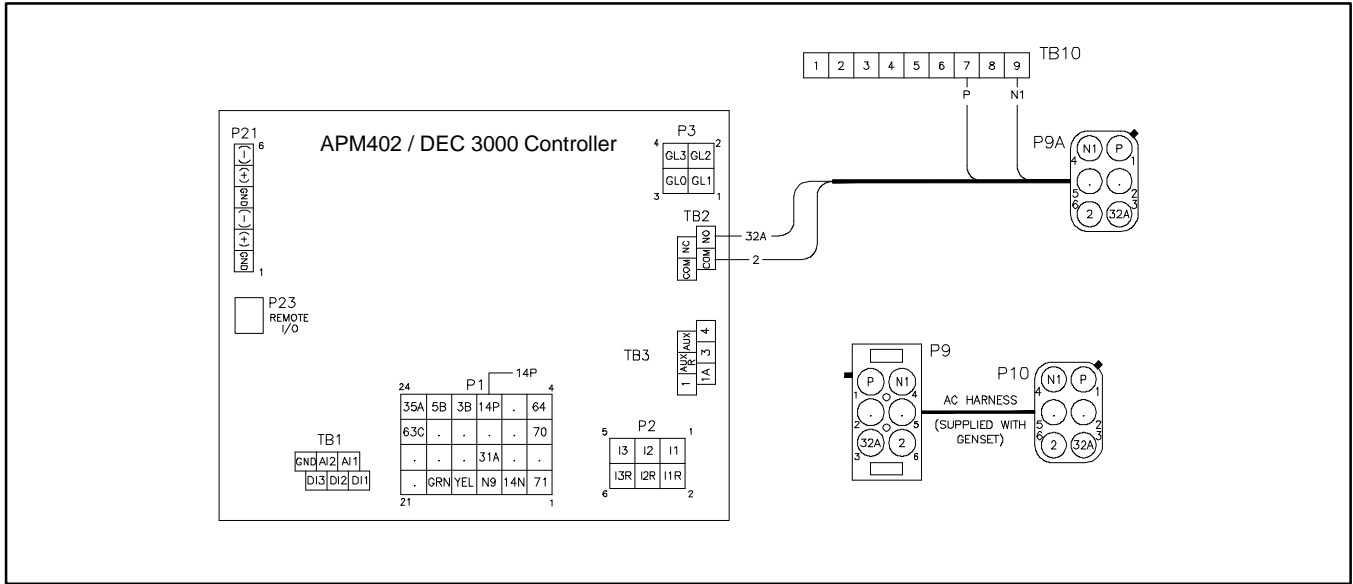


Figure 85 Shunt-Trip Wiring (Standard)

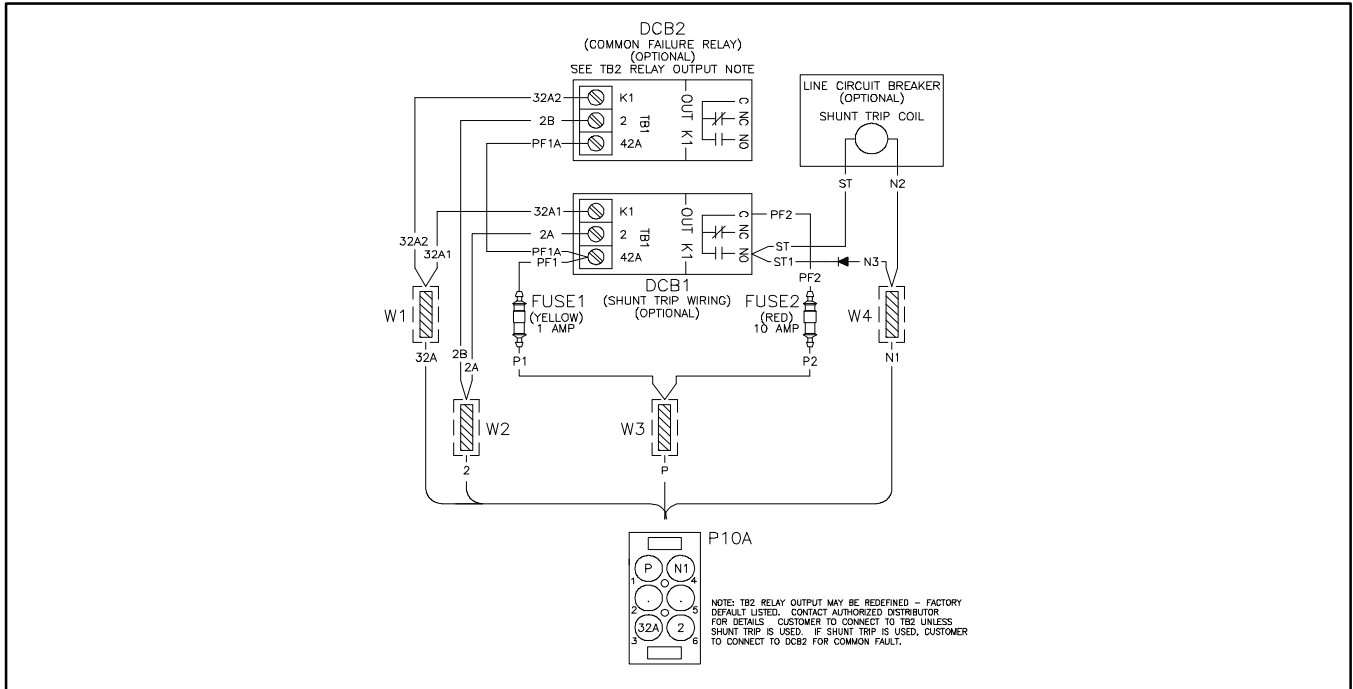


Figure 86 Shunt-Trip Relay Kit and Line Circuit Breaker Wiring (Shown with Common Fault/Failure Relay Kit)

6.2 Accessory Connections

The controller contains a circuit board equipped with terminal strip(s) for use in connecting external optional accessories including alarms, battery chargers, and remote switches. The optional I/O board provides an additional two analog or digital inputs and five digital outputs.

For specific information on accessory connections, refer to the accessory wiring diagrams in the wiring diagram manual and the instruction sheet accompanying the kit. See Figure 87, Figure 88, and Figure 90 for controller circuit board connections.

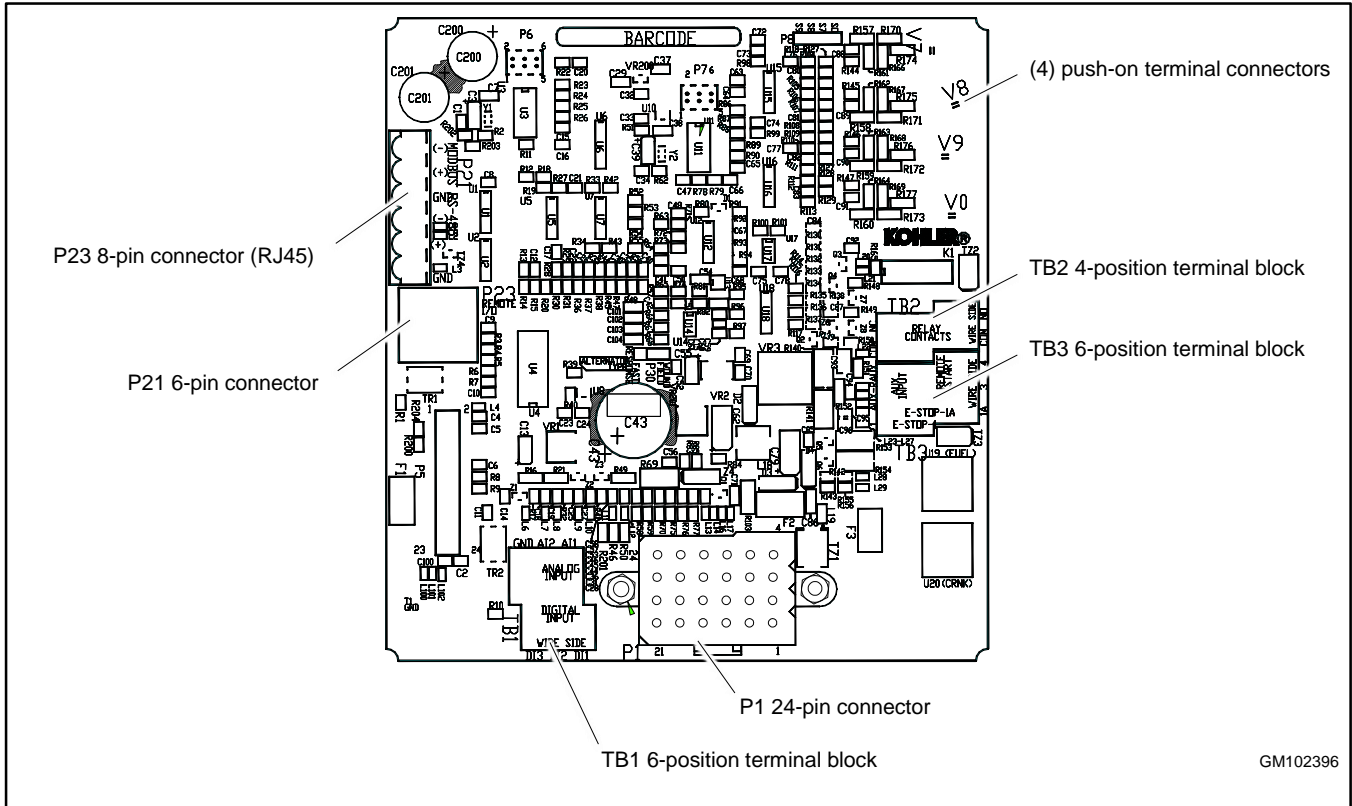


Figure 87 Controller Circuit Board Connections

TB1 Terminal Strip		
Analog and Digital Input Connections		
Terminal	Description	Connection
TB1-DI 1	DCH1	No Function
TB1-DI 2	DCH2	Aux. Warning Switch
TB1-DI 3	DCH3	(see Note below)
TB1-AI 1	ACH1	No Function
TB1-AI 2	ACH2	No Function
TB1-GND	Ground	Common A/D Ground
TB2 Terminal Strip		
KI Relay Outputs		
Terminal	Description	Connection
TB2-COM	Common	User- Defined
TB2-COM	Common	Common Fault (2)
TB2-NO	Normally Open	Common Fault (32A)
TB2-NC	Normally Closed	User- Defined

TB3 Terminal Strip		
Accessory Power Output Connections		
Terminal	Description	Connection
TB3-1	E-Stop	E- Stop Ground
TB3-1A	E-Stop	E- Stop
TB3-3	Remote Start	Remote Start
TB3-4	Remote Start	Remote Start
TB3-AUX	Auxiliary	Aux. Shutdown Sw.
TB3-AUXR	Auxiliary-R	Aux. Shutdown Sw.
P1 24-Pin Connector		
Engine Wiring Harness		
Terminal	Description	Connection
P1-12	14P+12VDC	Prime Power Switch
P21 6-Pin Connector		
RS-485 (RSA II)		
Terminal	Description	Connection
P21-1	GND	Shield
P21-2	(+)	Red
P21-3	(-)	Black
P21-4	GND	Shield
P21-5	(+)	Red
P21-6	(-)	Black
TB1 Terminal Strip Designations		
Analog and Digital Input Connections		
Terminals on Board	Controller Designation	SiteTech Designation
TB1-DI 1	DIn A1	A1
TB1-DI 2	DIn A2	A2
TB1-DI 3	DIn A3	A3
TB1-AI 1	AIn A1	—
TB1-AI 2	AIn A2	A1
TB1-GND	—	—

Figure 88 Controller Connections

Note:

When battery charger GM87448 is used, the Battery Charger Fault is communicated through CAN communication and the connection on TB1 is not used. Also, this connection is factory reserved for Enclosure Temperature: High Shutdown on select Telecom units.

P25 Connector
RJ45 Remote I/O In
Connects to controller P23
P25 Connector
RJ45 Remote I/O In
Connects to controller P23
P27 Connector
CAN Terminator
Place the P27 jumper on the IN pins


P28 Connector	
Single-Ended (0-5 V) Analog Input Connections	
Terminal	Description
P28-GND	AGND Analog Return
P28-VN1	NO Connection
P28-VP1	ACH1 Signal
P28-+5V	Supply (.05 amp max.)
P28-GND	AGND Analog Return
P28-VN2	NO Connection
P28-VP2	ACH2 Signal
P28-+5V	Supply (0.05 amp max.)
P28 Connector	
Differential (+/- 3 V) Analog Input Connections	
Terminal	Description
P28-GND	AGND Analog Reference
P28-VN1	ACH1 Negative Differential Signal
P28-VP1	ACH1 Positive Differential Signal
P28- +5V	Supply (.05 amp max.)
P28-GND	AGND Analog Reference
P28-VN2	ACH2 Negative Differential Signal
P28-VP2	ACH2 Positive Differential Signal
P28- +5V	Supply (0.05 amp max.)
P29 Connector	
2 Amp. K1 Relay Output (2.1) Connections	
Terminal	Description
P29-NC	Normally Closed
P29-COM	Common
P29-NO	Normally Open
P30 Connector	
2 Amp. K2 Relay Output (2.2) Connections	
Terminal	Description
P30-NC	Normally Closed
P30-COM	Common
P30-NO	Normally Open
P31 Connector	
2 Amp. K3 Relay Output (2.3) Connections	
Terminal	Description
P31-NC	Normally Closed
P31-COM	Common
P31-NO	Normally Open
P32 Connector	
10 Amp. K4 Relay Output (2.4) Connections	
Terminal	Description
P32-NC	Normally Closed
P32-COM	Common
P32-NO	Normally Open
10 Amp. K5 Relay Output (2.5) Connections	
Terminal	Description
P32-NC	Normally Closed
P32-COM	Common
P32-NO	Normally Open

P28 Connector Designations		
Terminals on Board	Controller Designation	SiteTech Designation
P28-GND	DIn B1	B1
P28-VN1		
P28-VP1		
P28- +5V		
P28-GND	Din B2	B2
P28-VN2		
P28-VP2		
P28- +5V		

Figure 89 Input/Output Module Board Connections

Appendix A. Abbreviations

A, amp	ampere	blk.	black (paint color), block (engine)	D/A	digital to analog
ABDC	after bottom dead center	blk. htr.	block heater	DAC	digital to analog converter
AC	alternating current	BMEP	brake mean effective pressure	dB	decibel
A/D	analog to digital	bps	bits per second	dB(A)	decibel (A weighted)
ADC	advanced digital control; analog to digital converter	br.	Brass	DC	direct current
adj.	adjust, adjustment	BTDC	before top dead center	DCR	direct current resistance
ADV	advertising dimensional drawing	Btu	British thermal unit	DEF	diesel exhaust fluid
AGM	absorbent glass mat	Btu/min.	British thermal units per minute	deg., °	degree
Ah	amp-hour	C	Celsius, centigrade	dept.	department
AHWT	anticipatory high water temperature	cal.	Calorie	dia.	Diameter
AISI	American Iron and Steel Institute	CAN	controller area network	DI/EO	dual inlet/end outlet
ALOP	anticipatory low oil pressure	CARB	California Air Resources Board	DIN	Deutsches Institut für Normung e. V. (also Deutsche Industrie Normenausschuss)
alt.	alternator	CAT5	Category 5 (network cable)	DIP	dual inline package
Al	aluminum	CB	circuit breaker	DPDT	double-pole, double-throw
ANSI	American National Standards Institute (formerly American Standards Association, ASA)	CC	crank cycle	DPST	double-pole, single-throw
AO	anticipatory only	cc	cubic centimeter	DS	disconnect switch
APDC	Air Pollution Control District	CCA	cold cranking amps	DVR	digital voltage regulator
API	American Petroleum Institute	ccw.	Counterclockwise	E ² PROM, EEPROM	electrically-erasable programmable read-only memory
approx.	approximate, approximately	CEC	Canadian Electrical Code	E, emer.	emergency (power source)
APU	Auxiliary Power Unit	cert.	certificate, certification, certified	ECM	electronic control module, engine control module
AQMD	Air Quality Management District	cfh	cubic feet per hour	EDI	electronic data interchange
AR	as required, as requested	cfm	cubic feet per minute	EFR	emergency frequency relay
AS	as supplied, as stated, as suggested	CG	center of gravity	e.g.	for example (exempli gratia)
ASE	American Society of Engineers	CID	cubic inch displacement	EG	electronic governor
ASME	American Society of Mechanical Engineers	CL	centerline	EGSA	Electrical Generating Systems Association
assy.	Assembly	cm	centimeter	EIA	Electronic Industries Association
ASTM	American Society for Testing Materials	CMOS	complementary metal oxide substrate (semiconductor)	EI/EO	end inlet/end outlet
ATDC	after top dead center	com	communications (port)	EMI	electromagnetic interference
ATS	automatic transfer switch	coml	commercial	emiss.	Emission
auto.	Automatic	Coml/Rec	Commercial/Recreational	eng.	Engine
aux.	auxiliary	conn.	Connection	EPA	Environmental Protection Agency
avg.	average	cont.	continued	EPS	emergency power system
AVR	automatic voltage regulator	CPVC	chlorinated polyvinyl chloride	ER	emergency relay
AWG	American Wire Gauge	crit.	Critical	ES	engineering special, engineered special
AWM	appliance wiring material	CSA	Canadian Standards Association	ESD	electrostatic discharge
bat.	Battery	CT	current transformer	est.	estimated
BBDC	before bottom dead center	Cu	copper	E-Stop	emergency stop
BC	battery charger, battery charging	cUL	Canadian Underwriter's Laboratories	etc.	et cetera (and so forth)
BCA	battery charging alternator	cu. in.	cubic inch	exh.	exhaust
BCI	Battery Council International	cw.	Clockwise	ext.	external
BDC	before dead center	CWC	city water-cooled	F	Fahrenheit, female
BHP	brake horsepower	cyl.	Cylinder	FHM	flat head machine (screw)

fl. oz.	fluid ounce	in.	inch	Lph	liters per hour
flex.	flexible	in. H ₂ O	inches of water	Lpm	liters per minute
freq.	frequency	in. Hg	inches of mercury	LOP	low oil pressure
FS	full scale	in. Lb.	inch pounds	LP	liquefied petroleum
ft.	foot, feet	Inc.	incorporated	LPG	liquefied petroleum gas
ft. lb.	foot pounds (torque)	ind.	Industrial	LS	left side
ft./min.	feet per minute	int.	internal	L _{wa}	sound power level, A weighted
ftp	file transfer protocol	int./ext.	internal/external	LWL	low water level
g	gram	I/O	input/output	LWT	low water temperature
ga.	gauge (meters, wire size)	IP	internet protocol	m	meter, milli (1/1000)
gal.	gallon	ISO	International Organization for Standardization	M	mega (10 ⁶ when used with SI units), male
gen.	generator	J	joule	m ³	cubic meter
genset	generator set	JIS	Japanese Industry Standard	m ³ /hr.	cubic meters per hour
GFI	ground fault interrupter	k	kilo (1000)	m ³ /min.	cubic meters per minute
GND, 	ground	K	kelvin	mA	milliampere
gov.	governor	kA	kiloampere	man.	manual
gph	gallons per hour	KB	kilobyte (2 ¹⁰ bytes)	max.	maximum
gpm	gallons per minute	KBus	Kohler communication protocol	MB	megabyte (2 ²⁰ bytes)
gr.	grade, gross	kg	kilogram	MCCB	molded-case circuit breaker
GRD	equipment ground	kg/cm ²	kilograms per square centimeter	MCM	one thousand circular mils
gr. wt.	gross weight	kgm	kilogram-meter	meggar	megohmmeter
H x W x D	height by width by depth	kg/m ³	kilograms per cubic meter	MHz	megahertz
HC	hex cap	kHz	kilohertz	mi.	mile
HCHT	high cylinder head temperature	kJ	kilojoule	mil	one one-thousandth of an inch
HD	heavy duty	km	kilometer	min.	minimum, minute
HET	high exhaust temp., high engine temp.	kOhm, kΩ	kilo-ohm	misc.	miscellaneous
hex	hexagon	kPa	kilopascal	MJ	megajoule
Hg	mercury (element)	kph	kilometers per hour	mJ	millijoule
HH	hex head	kV	kilovolt	mm	millimeter
HHC	hex head cap	kVA	kilovolt ampere	mOhm, mΩ	milliohm
HP	horsepower	kVAR	kilovolt ampere reactive	MOhm, MΩ	megohm
hr.	hour	kW	kilowatt	MOV	metal oxide varistor
HS	heat shrink	kWh	kilowatt-hour	MPa	megapascal
hsg.	Housing	kWm	kilowatt mechanical	mpg	miles per gallon
HVAC	heating, ventilation, and air conditioning	kWth	kilowatt-thermal	mph	miles per hour
HWT	high water temperature	L	liter	MS	military standard
Hz	hertz (cycles per second)	LAN	local area network	ms	millisecond
IBC	International Building Code	L x W x H	length by width by height	m/sec.	meters per second
IC	integrated circuit	lb.	pound, pounds	mtg.	mounting
ID	inside diameter, identification	lbm/ft ³	pounds mass per cubic feet	MTU	Motoren-und Turbinen-Union
IEC	International Electrotechnical Commission	LCB	line circuit breaker	MW	megawatt
IEEE	Institute of Electrical and Electronics Engineers	LCD	liquid crystal display	mW	milliwatt
IMS	improved motor starting	LED	light emitting diode	μF	microfarad

N, norm.	normal (power source)	PMG	permanent magnet generator	SCR	silicon controlled rectifier (electrical), selective catalytic reduction (exhaust emissions)
NA	not available, not applicable	pot	potentiometer, potential	s, sec.	second
nat. gas	natural gas	ppm	parts per million	SI	<i>Systeme international d'unites</i> , International System of Units
NBS	National Bureau of Standards	PROM	programmable read-only memory	SI/EO	side in/end out
NC	normally closed	psi	pounds per square inch	sil.	Silencer
NEC	National Electrical Code	psig	pounds per square inch gauge	SMTP	simple mail transfer protocol
NEMA	National Electrical Manufacturers Association	pt.	pint	SN	serial number
NiCd	nickel cadmium	PTC	positive temperature coefficient	SNMP	simple network management protocol
NFPA	National Fire Protection Association	PTO	power takeoff	SPDT	single-pole, double-throw
Nm	newton meter	PVC	polyvinyl chloride	SPST	single-pole, single-throw
NO	normally open	PVC	polyvinyl chloride	spec	specification
no., nos.	number, numbers	PWM	pulse width modulated, pulse width modulation	specs	specification(s)
NPS	National Pipe, Straight	qt.	quart, quarts	sq.	square
NPSC	National Pipe, Straight-coupling	qty.	quantity	sq. cm	square centimeter
NPT	National Standard taper pipe thread per general use	R	replacement (emergency) power source	sq. in.	square inch
NPTF	National Pipe, Taper-Fine	rad.	radiator, radius	SMS	short message service
NR	not required, normal relay	RAM	random access memory	SS	stainless steel
Ns	nanosecond	RDO	relay driver output	std.	standard
OC	overcrank	ref.	reference	stl.	Steel
OD	outside diameter	rem.	Remote	tach.	Tachometer
OEM	original equipment manufacturer	Res/Co ml	Residential/Commercial	TB	terminal block
OF	overfrequency	RFI	radio frequency interference	TCP	transmission control protocol
opt.	option, optional	RH	round head	TD	time delay
OS	oversize, overspeed	RHM	round head machine (screw)	TDC	top dead center
OSHA	Occupational Safety and Health Administration	rly.	Relay	TDEC	time delay engine cooldown
OSHPD	Office of Statewide Health Planning and Development (California)	rms	root mean square	TDEN	time delay emergency to normal
OV	overvoltage	rnd.	Round	TDES	time delay engine start
oz.	ounce	RO	read only	TDNE	time delay normal to emergency
p., pp.	page, pages	ROM	read only memory	TDOE	time delay off to emergency
PC	personal computer	rot.	rotate, rotating	TDON	time delay off to normal
PCB	printed circuit board	rpm	revolutions per minute	temp.	temperature
pF	picofarad	RS	right side	term.	Terminal
PF	power factor	RTDs	resistance temperature detectors	THD	total harmonic distortion
ph., ø	phase	RTU	remote terminal unit	TIF	telephone influence factor
PHC	Phillips® head Crimptiter (screw)	RTV	room temperature vulcanization	tol.	Tolerance
PHH	Phillips® hex head (screw)	RW	read/write	turbo.	Turbocharger
PHM	pan head machine (screw)	SAE	Society of Automotive Engineers	typ.	typical (same in multiple locations)
PLC	programmable logic control	scfm	standard cubic feet per minute	UF	underfrequency

UHF	ultrahigh frequency
UIF	user interface
UL	Underwriter's Laboratories, Inc.
UNC	unified coarse thread (was NC)
UNF	unified fine thread (was NF)
univ.	universal
URL	uniform resource locator (web address)
US	undersize, underspeed
UV	ultraviolet, undervoltage
V	volt
VAC	volts alternating current
VAR	voltampere reactive
VDC	volts direct current
VFD	vacuum fluorescent display
VGA	video graphics adapter
VHF	very high frequency
W	watt
WCR	withstand and closing rating
w/	with
WO	write only
w/o	without
wt.	weight
xfmr	transformer

Appendix B. Programmer-Defined Settings

Use the table below to record programmer-defined settings during the generator set controller setup and calibration. The controller default settings and ranges provide guidelines. The table contains all faults with ranges and time delays including items that do not have adjustments. Some notices give the programmer a choice to make them active. Not adjustable programmer-defined settings result when the controller logic does not allow changes or the values are engine limited.

SiteTech™ software is required for programming the APM402 controller. Contact your local distributor/dealer for assistance.

Note:

Inhibit time delay is the time delay period after crank disconnect.

Note:

The engine ECM may limit the crank cycle even if the controller is set to a longer time period.

Programmer-Defined Settings

Description	Controller Display Message	Write Access Display SiteTech	GenSet Mode Always Running Stopped	Range Setting	Default Selection	Time Delay Range (sec.)	Default Time Delay (sec.)	Programmer-Defined Settings
Engine Functions								
Critically high fuel level (diesel-powered models only) *	Fuel Level Critically High			0-100%	95%	0-10	5	
ECM communications loss	ECM Comm Err Shutdwn					Fixed	10	Not adjustable
ECM diagnostics (multiple inputs) #	ECM xxxxxx Warning							Not adjustable
ECM diagnostics (multiple inputs) #	ECM xxxxxx Shutdwn							Not adjustable
ECM faults (address conflict)	ECM Addr Err Shutdwn							Not adjustable
ECM faults (model mismatch)	ECM Mismatch Shutdwn			0-255	0			
Engine over speed	Eng Speed High Shutdwn	S	A	105-120%	115%			
Engine RPM (manual speed adjust) Version 3.10.3 or higher	Engine RPM Display	DS	A	60 Hz: 1751-1849 50Hz: 1451-1549	60 Hz: 1800 50 Hz: 1500			
Engine start aid active	Starting Aid Notice							
Engine under speed	Eng Speed Low Shutdwn	S	A	75-95%	85%			
Fuel tank leak *	Fuel Leak Warning							Not adjustable
Fuel tank leak *	Fuel Leak Shutdwn							Not adjustable
High battery voltage	Battery High Warning	S	A	110-135%	125%	Fixed	10	Not adjustable
High coolant temperature	Coolnt Temp High Warning					0-10 (0-30 inhibit)	5 (0 inhibit)	
High coolant temperature	Coolnt Temp High Shutdwn					0-10 (0-30 inhibit)	5 (0 inhibit)	
High fuel level (diesel-powered models only) *	Fuel Level High Warning			0-100%	90%	0-10	5	
Loss of fuel	Loss of fuel							Not adjustable

Description	Controller Display Message	Write Access Display SiteTech	GenSet Mode Always Running Stopped	Range Setting	Default Selection	Time Delay Range (sec.)	Default Time Delay (sec.)	Programmer-Defined Settings
Low battery voltage	Battery Low Warning	S	A	80-105%	100%	Fixed	90	Not adjustable
Low coolant level *	Coolant Lvl Low Shutdwn					Fixed	5	Not adjustable
Low coolant temperature	Coolant Temp Low Warning			Fixed	16°C (60°F)	0-10 (0-30 inhibit)	5 (0 inhibit)	
Low cranking voltage	Lo Crank Vlt Warning			Fixed	60%	Fixed	6	Not adjustable
Low engine oil level *	Oil Level Low Warning							Not adjustable
Low engine oil level *	Oil Level Low Shutdwn							Not adjustable
Low fuel level (diesel models) *	Fuel Level Low Warning			0-100%	35%	0-10	10	
Low fuel level (diesel models) *	Fuel Level Low Shutdwn			0-100%	5%	0-10	0	
Low fuel pressure (gas models) *	Fuel Press Low Warning							Not adjustable
Low oil pressure	Oil Press Low Warning					Fixed (Fixed inhibit)	5 (5 inhibit)	Not adjustable
Low oil pressure	Oil Press Low Shutdwn					Fixed (Fixed inhibit)	5 (5 inhibit)	Not adjustable
No coolant temperature signal	Temp Sig Loss Shutdwn							Not adjustable
No oil pressure signal	Press Sig Loss Shutdwn					Fixed	5	Not adjustable
Overcrank	Over Crank Shutdown					Fixed	(30 inhibit)	Not adjustable
Speed sensor fault	Spd Sens Flt Warning							Not adjustable
General Functions								
Alarm silence, 0-Auto only (NFPA 110), 1-Always	Alarm Silence Mode	S	A	0-1	1			
Aux. inputs 0-5 VDC, 1 analog	Aux Input Warning			0-100%	100%	0-10	0	
Aux. inputs 0-5 VDC, 1 analog	Aux Input Shutdown			0-100%	100%	0-10	0	
Auxiliary inputs, up to 3 digital (2 additional digital inputs available with I/O module option)	Aux Input Warning					0-10 (0-30 inhibit)	0 (0 inhibit)	
Auxiliary inputs, up to 3 digital (2 additional digital inputs available with I/O module option)	Aux Input Shutdown					0-10 (0-30 inhibit)	0 (0 inhibit)	
Backup parameters loaded	Backup Pars Status							Not adjustable
Battery charger 1 communication loss	Bat1CommLoss							Not adjustable
Battery charger 2 communication loss	Bat2CommLoss							Not adjustable
Battery charger fault * (* does not apply to charger GM87448)	Batt Chg Flt Warning							Not adjustable

Description	Controller Display Message	Write Access Display SiteTech	GenSet Mode Always Running Stopped	Range Setting	Default Selection	Time Delay Range (sec.)	Default Time Delay (sec.)	Programmer-Defined Settings
Battery charger identity conflict	BatldErr							Not adjustable
Battery charger parameter mismatch	ParMisatch							Not adjustable
Battery fault	Battery Fit							Not adjustable
Chicago code active	Chicago Code Active							
Common fault	Common Fault Shutdown							Not adjustable
Common warning	Common Warng							Not adjustable
Contrast (see GenSet System menu)	Contrast Display	D	A	1-10	5			
Default parameters loaded	Default Pars Warning							Not adjustable
Emergency stop	Emerg Stop Shutdown							Not adjustable
Enclosure temperature: high shutdown	Enclsr Temp: High Shutdown	S	R	Fixed	Active	Fixed	5 (20 inhibit)	Not adjustable
Engine cooldown (delay) active	Eng Cooldown Notice							Not adjustable
Engine start delay active	Start Delay Notice							Not adjustable
Engine started	Engine Start Status							Not adjustable
Engine stopped	Engine Stop Status							Not adjustable
EPS supplying load	Emerg Pwr On Notice							Not adjustable
File system error (controller fault)	File Error Shutdown							Not adjustable
Generator running	Gen Running Notice							Not adjustable
Input/output (optional module board) communication loss	OB1 Com Loss							Not adjustable
Internal failure	Intern Error Shutdown							Not adjustable
Measurement Units, 0-English, 1-Metric	Measurement Display	DS	A	0-1	1			
Metering communication loss	MeterCommLos Shutdown							Not adjustable
NFPA 110 alarm active	NFPA Alarm Notice							
Not in auto (master control buttons)	Not In Auto Warning							Not adjustable
Prime power application, 0-Standby, 1-Prime	Power Type	DS	A	0-1	0			
Remote start	Remote Start Status							Not adjustable
System ready	System Ready Status							Not adjustable
System timer failed	Timer Error Notice							Not adjustable
AC sensing loss	AC Sens Loss Warning							Not adjustable

Description	Controller Display Message	Write Access Display SiteTech	GenSet Mode Always Running Stopped	Range Setting	Default Selection	Time Delay Range (sec.)	Default Time Delay (sec.)	Programmer-Defined Settings
Generator Functions								
AC sensing loss	AC Sens Loss Shutdwn					Fixed	3	Not adjustable
Alternator protection	Alt Protect Shutdwn							Not adjustable
Ground fault input *	Ground Fault Warning							Not adjustable
kW overload	Total Power High Shutdwn			Fixed	102% standby, 112% prime	Fixed	60	Not adjustable
Locked rotor (failed to crank)	Locked Rotor Shutdwn	S	A			1--5	5	
Overfrequency	Freq High Shutdwn			102-140%	110%	Fixed	10	Not adjustable
Overvoltage (each phase)	Volts (L1-L2, L2-L3, or L3-L1) High Shutdwn	S	A	105-135%	120%	2-10	2	
Power rating	Pwr Rating	DS	S	10-5000	275			
System frequency	System Freq	DS	S	50-60	60			
System voltage	System Volt	DS	S	110-600	208			
Underfrequency	Frequency Low Shutdwn			80-95%	90%	Fixed	10 ST 60 LT	Not adjustable
Undervoltage (each phase)	Volts (L1-L2, L2-L3, or L3-L1) Low Shutdwn	S	A	70-95%	80%	5-30	10	
Voltage/phase configuration, 0-Single phase, 1-Single Phase dogleg, 2-three phase wye, 3-three phase delta	SystemPhase	DS	S	0-3	2			
Voltage regulator average voltage adjustment	VR Volt Adj	DS	R	108-600	208			
Voltage) regulator communication loss	RegCommLoss Shutdwn							Not adjustable
SiteTech Read/Write Display Only								
Charger Absorption Current Termination Target (A)		S	A	1-5	2			
Charger Automatic Equalize Enable Note: Equalize is only available with FLA/VRLA topology selected.		S	A	Active Inactive	Inactive			
Charger Charge Cycles Between Auto Equalize Cycles Note: Equalize is only available with FLA/VRLA topology selected.		S	A	0-99				Adjustable with Charger Custom Profile enabled.
Charger Custom Profile Enable		S	A	Active Inactive	Inactive			

Description	Controller Display Message	Write Access Display SiteTech	GenSet Mode Always Running Stopped	Range Setting	Default Selection	Time Delay Range (sec.)	Default Time Delay (sec.)	Programmer-Defined Settings
Charger Depleted Battery Current Limit		S	A	1-5	2			
Charger Depleted Battery Voltage Target		S	A	4-12 (12 V) 18-24 (24 V)	10 (12 V) 20 (24 V)			Adjustable with Charger Custom Profile enabled.
Charger Equalize Stage Duration (Min) Note: Equalize is only available with FLA/VRLA topology selected.		S	A	60-480				
Charger Manual Equalize Cycle Activation Note: Equalize is only available with FLA/VRLA topology selected.		S	A	Active Inactive	Inactive			
Charger Maximum Absorption Time Threshold (Min.)		S	A	60-360 60-600 (NiCad only)	240			Adjustable with Charger Custom Profile enabled.
Charger Maximum Bulk Time Threshold (Min)		S	A	60-600	480			Adjustable with Charger Custom Profile enabled.
Charger Refresh Charge Cycle Time (Hr)		S	A	0, 23-672	335			Adjustable with Charger Custom Profile enabled.
Charger Return To Bulk State Voltage Threshold (V)		S	A	10-13 (12 V)** 20-26 (24 V)**	12.8 (12 V) 25.6 (24 V)			
Charger Starter Battery Topology Note: Verify that the battery topology is set correctly for the battery type that is used. Incorrect charger output system voltage may cause irreversible damage to the battery and abnormal out gassing.		S	A	Default FLA/VRLA AGM Gel NiCad	Default			
Charger System Battery Voltage Note: Verify that the system voltage is set correctly for the battery type that is used. Incorrect charger output system voltage may cause irreversible damage to the battery and abnormal out gassing.		S	A	System 12 VDC System 24 VDC	12 VDC			
Charger Temperature Compensation Enable		S	A	Active Inactive	Inactive			

Description	Controller Display Message	Write Access Display SiteTech	GenSet Mode Always Running Stopped	Range Setting	Default Selection	Time Delay Range (sec.)	Default Time Delay (sec.)	Programmer-Defined Settings
Charger Temperature Compensation Slope (mV/°C)		S	A	-40-0 (12 V) -80-0 (24 V)	-30 (12 V) -60 (24 V)			Adjustable with Charger Custom Profile enabled.
Charger Voltage Absorption (V)		S	A	13-15 (12 V)** 26-30 (24 V)**	14.25 (12 V) 28.5 (24 V)			Adjustable with Charger Custom Profile enabled.
Charger Voltage Bulk (V)		S	A	13-15 (12 V)** 26-30 (24 V)**	14.25 (12 V) 28.5 (24 V)			Adjustable with Charger Custom Profile enabled.
Charger Voltage Equalize (V) Note: Equalize is only available with FLA/VRLA topology selected.		S	A	14-16 (12 V) 28-32 (24 V)				Adjustable with Charger Custom Profile enabled.
Charger Voltage Float (V)		S	A	13-14 (12 V)** 26-28 (24 V)**	13.25 (12 V) 26.5 (24 V)			Adjustable with Charger Custom Profile enabled.
Current transformer ratio]		S	S	1-	1200			
ECM power		S	S	0-1	0	0-600	300	
Engine cooldown delay		S	A			10-30	15	
Engine (cyclic) crank on		S	A			1-60	15	
Engine (cyclic) crank pause		S	A			0-300	0	
Engine ECM start delay		S	A			0-60	60	
Engine idle duration		S	A					
Engine no. of (cyclic) crank cycles		S	S	1-6	3			
Engine restart delay		S	A			1-10	10	
Engine start aid delay		S	A			0-10	0	
Engine start delay		S	A			0-300	0	
Equalize Current Limit (A) Note: Equalize is only available with FLA/VRLA topology selected.		S	A	1-5				Adjustable with Charger Custom Profile enabled.
Forced Charge Cycle Reset		S	A	Active Inactive	Inactive			
Output Enable	Reduced Out	S	A	Fixed	Active			
Voltage regulator gain		S	R	1-255	128			
Voltage regulator stability adjust		S	R	1-255	128			

Description	Controller Display Message	Write Access Display SiteTech	GenSet Mode Always Running Stopped	Range Setting	Default Selection	Time Delay Range (sec.)	Default Time Delay (sec.)	Programmer-Defined Settings
Voltage regulator, volts per Hertz slope		S	R	1-10	5			
Voltage regulator, volts per Hertz cutin frequency		S	R	42-62	57.5			

* Some functions require optional input sensors or are engine ECM dependent on some generator set models.

ECM inputs are engine manufacturer dependent.

] Changeable only by resetting the controller with a personality profile (SiteTech 1.4 or higher).

** Denotes the default parameter range. Typically, ranges for the NiCad battery topology are slightly wider. For more details, refer to the battery charger operation manual.

ST- Short Term, LT- Long Term

Appendix C. Voltage Regulator Definitions and Adjustments

The following definitions and adjustment/setting specifications are intended for users planning to adjust the voltage regulator beyond the default settings in order to customize the alternator for a specific application.

This information is not intended to be a comprehensive explanation of all the terms mentioned. There are numerous documents available that define these terms more completely than described herein. Any user planning to change the generator set controller adjustment settings or to apply the generator set to these types of applications should understand these terms.

This appendix contains references to other sections of this manual. Please refer to these sections for further information and explanation.

Paralleling generator sets can be a complicated and dangerous exercise. Application programming must be performed by appropriately skilled and suitably-trained personnel.

Definitions

Underfrequency Unloading

Underfrequency unloading is a function used in the alternator excitation control system to improve the overall generator set system (engine and alternator) response. In particular, underfrequency unloading relates to large-block load applications. When applied to engine-driven alternators, large-block loads cause a subsequent transient torque load on the engine. This torque load can reduce the engine's speed below the normal operating point. Typically, the engine speed controller or governor will compensate for this by commanding an increase in fuel. If, however, the fuel system is inadequate to recover from a relatively large load, the speed may never recover. In these instances, other measures must be taken. This is where the underfrequency unloading occurs.

When the excitation control system detects a drop in the speed or electrical frequency below some predetermined point, the control system enters an unloading condition. This can be described as moving to a lower voltage regulation point. By reducing the output voltage of the alternator, the load on the generator set is reduced. This can be shown mathematically by Ohm's law, which states that power is equal to the voltage squared divided by the impedance. As the voltage is reduced, the power delivered by the alternator decreases by a squared relationship. Since it is the power in the alternator that translates into engine torque, the engine load is also reduced.

By changing various parameters of this compensation technique, the controlling system can be tailored to match the performance capabilities of most engine and alternator combinations. The point at which the unloading begins to act or how much unloading occurs can be adjusted to impact maximum voltage droop, maximum speed droop, or time to recover. Some applications may not need unloading and, in these cases, set the unloading parameter to disable the function. These parameters are further described below. An example is provided to help clarify the relationship between these parameters.

Underfrequency Unload Slope

Underfrequency unload slope is the term used to describe the amount that the voltage is reduced, per-cycle-per-second or per-hertz (Hz), when in an underfrequency condition. The slope or schedule is sometimes called the volts-per-hertz slope. When the electrical frequency drops below the cut-in point (see below), the excitation control system temporarily reduces the regulated voltage to reduce the subsequent torque on the engine. The amount that the control system reduces voltage is defined as the product or multiplication of the slope and the amount of frequency or speed below the cut-in point. For every Hz below the cut-in point, the control system reduces the line-to-line voltage by an amount equal to the slope.

Because each engine responds differently to the various loads encountered, the slope may be adjusted to improve the system response. If, when large loads are applied to the generator set, the engine speed drops below the acceptable limit (as determined by the particular loads applied), the slope may need to be increased. Increasing the slope will cause the voltage to droop more during load applications, consequently reducing the load torque on the engine and allowing the speed to increase. If, however, the voltage drops below an acceptable lower limit (as determined by the particular loads connected to the generator set), a lower slope may work better. The underfrequency unloading function may be disabled by setting the slope to zero.

Frequency Setpoint or Cut-In Point

The point at which the underfrequency unloading begins to take effect is adjustable, allowing the system to be tailored for each application. Because the characteristics of the engine have the largest effect on the system's performance, the engine's response should determine the unloading point. The unloading setpoint is the frequency below which the excitation control will reduce the voltage so that the engine may begin to recover.

The cut-in point, or frequency setpoint, should be set 0.5- 3.0 Hz lower than the normal steady-state band of operation. If the engine normally operates within a very narrow range of speeds close to the nominal, a setpoint of 0.5 to 1.0 Hz below nominal should be suitable. If the engine normally operates over a wide range of speeds, the setpoint may need to be 2.0- 3.0 Hz from the nominal. The underfrequency unloading function can be eliminated by setting the cut-in point below the minimum expected operating frequency.

Example

A 90 kW load is applied to a 100 kW, 60 Hz generator set driven by a turbocharged diesel engine with an electronic control module (ECM). The speed drops 10% and takes 20 seconds to recover to at least 59.5 Hz. The voltage, meanwhile, drops from 480 to 460 and recovers to 480 within 15 seconds. Therefore, some underfrequency unloading should be provided. A good starting point would be a frequency setpoint or cut-in of 59 Hz. A slope of 15 volts per-cycle-per-second is appropriate as well. If after these adjustments the speed recovers very quickly, in about 5 seconds, but the voltage drops below 440 volts, the slope should be reduced to 12 volts per cycle. More adjusting may be required to get the most desirable compromise between speed and voltage.

Three-Phase Sensing

Three-phase sensing describes how the excitation control or voltage regulator determines the condition of the alternator output voltage. Early types of regulators sensed the voltage on just one phase of the alternator. Single-phase sensing is not uncommon today as most alternators are designed to produce balanced, equal voltage on all three phases. If the loads applied to the generator set including no load are equal and balanced, the output voltage on each phase will be nearly equal.

However, in some applications, individual phases may have unequal or unbalanced loads. In these cases, the output voltages will not be equal on each phase. In general, the phase with the greatest load will have the lowest voltage while the phase with the least load will have the highest voltage. This is true regardless of the type of sensing used in the regulator system. A single-phase sensing excitation controller will keep the voltage of the sensed phase at the voltage adjustment value. A three-phase sensing system will average the three phases and hold the average to the adjustment setting. The average is the sum of the voltages of three phases divided by 3.

As stated above, three-phase sensing does not eliminate the unequal voltage phenomenon. Three-phase sensing balances the inequality of voltage between the phases to the desired value. In other words, if a system with unbalanced loads uses a single-phase control feedback, the voltage on the sensed phase would be at the setpoint while the other two phases would vary by their proportional loads. For example, if the sensed phase had rated load while the two other phases were only loaded at half the rated value, those two phases would have higher-than-rated voltage which may be undesirable. If a three-phase sensing feedback were utilized, the phase with rated load would be regulated to a voltage slightly below the rated voltage while the other two phases would be slightly above the rated voltage (but lower than in the previous case). The sum of the three, divided by 3, would be equal to the regulation setpoint.

In a single-phase system, line-to-line voltage is held equal to the line-to-line voltage adjust setting. In a three-phase system, the average of the three line-to-line voltage is regulated to the voltage adjust setting. In some cases, it may be desirable to keep one phase at a particular value. Modify the voltage adjust setting higher or lower accordingly for any unique requirements for the particular application.

Adjustment and Setting Specifications

Voltage Adjust

The voltage adjust is entered as the rated or otherwise desired line-to-line voltage. The average of the line-to-line voltages is then regulated to the corresponding value as previously described. The setting may be as fine as tenths of volts. The voltage adjust defaults to the rated system voltage whenever the system voltage is changed. The voltage adjust may be set to any value within $\pm 10\%$ of the system voltage. The upper limit is $\pm 10\%$ above the system voltage and the lower limit is $\pm 10\%$ below the system voltage.

As a reference, the present voltage adjust setting is displayed as well as the average value of the line-to-line voltages. The individual line-to-line voltages are also displayed on the subsequent menu screens. This allows the user to monitor any individual phase, if desired.

Underfrequency Unload Enable

The underfrequency unload enable menu is used to turn the underfrequency unload on or off. A YES entry will turn the feature on and the display will show ENABLED YES. A NO entry will turn the feature off and the display will show ENABLED NO. The underfrequency unload defaults to an enabled (ON) condition.

Frequency Setpoint

The frequency setpoint is the cut-in point for underfrequency unloading. At any operating frequency below the frequency setpoint, the output voltage will be reduced. The frequency may be entered with resolution to tenths of a Hz. The range of acceptable entries is 30 to 70 Hz. The default value is one cycle-per-second (or two for non-ECM engines) below the normal system frequency. The frequency setpoint changes to the default value if the system frequency changes. A setting of 30 Hz essentially disables the underfrequency unload feature because most engines do not normally drop to speeds this low, even during load applications.

Underfrequency Unload Slope

The slope determines how much voltage is reduced during an unloading condition. The line-to-line voltage is regulated to a value less than the voltage adjust setting by this amount for every cycle below the frequency setpoint. The voltage may be entered with resolution as fine as one-tenth of one volt. The default value is 2.0 volts per-cycle-per-second. A zero entry for the slope in effect turns the underfrequency unload feature off.

Appendix D. Alternator Protection

The controller has built-in thermal protection for the alternator. This feature functions similarly to a thermal circuit breaker. When the output current exceeds the nominal rating for a short period of time the condition causes the fault shutdown. The amount of time at which current is over the rating is inversely related to the amount of current above the nominal rating. In other words, the higher the current, the shorter the acceptable time.

The current and time limits are defined by actual test data and are maintained in the personality parameter file. Although the equation for detecting a fault is proprietary, some of the important limits are shown below for informational purposes.

Rated Current	Time Delay
200%	40 seconds
300%	10 seconds
425%	5 seconds
950%	1 second

Appendix E. Controller Displays from the Engine ECM

The controller display showing engine information is dependent upon the engine manufacturer and the corresponding Engine Control Module (ECM). The following list indicates which engine displays are available by the engine manufacturer. This information is subject to change by the engine manufacturer.

Note:

See the generator set specification sheet for engine model identification.

Some engines do not have an ECM and in some cases the ECM information is not available as a controller display. In these situations, critical information like oil pressure and coolant temperature are displayed by the controller using independent engine sensors not used by the ECM.

Controller Displays as Provided by the Engine ECM	Engine Manufacturer (and model)							
	Kohler Diesel (KDI M, TM*)	Kohler Diesel (KDI TCR)	Kohler Gas (KG2204, KG2204T)	GM/PSI and Kohler Gas (KG6208, KG6208T)	DD/MTU	Doosan	John Deere	Volvo
Intake air pressure					S/D			D
Intake air Temperature		D		D	S/D	D	D	D
Coolant level			D	D	D	D	D	D
Coolant temperature		D	C/S/D	C/S/D	C/S/D	C/S/D	C/S/D	C/S/D
Crankcase pressure								D
ECM battery voltage	S		S/D	S	S	S		
Engine model number	S	S		S	S	S	S	S
Engine serial number	S	S		S	S	S	S	S
Engine speed	C/S/D	C/S/D	C/S/D	C/S/D	C/S/D	C/S/D	C/S/D	C/S/D
Fuel pressure		D		C/S/D	C/S	C/S/D	C/S†	C/S/D
Fuel rate			S	S		S	S	S
Fuel temperature		D			S		S/D	S
Oil level				S†	S/D†	S†	S†	S†
Oil pressure		C/S/D	D	C/S/D	C/S/D	C/S/D	C/S/D	C/S/D
Oil temperature			S		D			SD

C = Value displayed on controller, S = Value displayed in Site Tech, D = ECU diagnostic is supported
 * Electronic governor and ECM are optional on KDI M and TM engines.
 † Controller uses local analog input to obtain this information

Note:

REOZMD/ROZMC (Mitsubishi engines) have an ECM but do not send signals to the generator set controller.

TP-6694 9/20m

Original Instructions (English)

© 2010 Kohler Co. All rights reserved.

KOHLER®

KOHLER CO. Kohler, Wisconsin 53044
Phone 920-457-4441, Fax 920-459-1646
For the nearest sales/service outlet in the
US and Canada, phone 1-800-544-2444
KOHLERPower.com