

NOTE: DIMENSIONS IN [] ARE INCH EQUIVALENTS.

REV	DATE	ON COMPOSITE DWGS, SEE PART NO. FOR REVISION LEVEL □ INDICATES PART NUMBERS AFFECTED BY LATEST DRAWING REVISION	BY
-	05DEC2022	NEW DRAWING	AKH
A	11JAN2023	SEE SHEET 2 AND 5	AKH
B	14FEB2023	SEE SHEET 4 & 5	AKH

UNLESS OTHERWISE SPECIFIED:
ALL DIMENSIONS IN MILLIMETERS
GENERAL TOLERANCES: N/A

THIRD ANGLE PROJECTION

MAJOR ○ = 0
CRITICAL ⊙ = 0

CHARACTERISTICS COMPLY WITH
KPS-80022

DRAWN: AKH DATE: 05DEC2022

APPROVED: SEE PLM SYSTEM

DO NOT SCALE.
THIS ASSEMBLY OR PART MUST
COMPLY WITH PEP-RML-001.
REFERENCE CAD MODEL FOR
UNSPECIFIED DIMENSIONS.

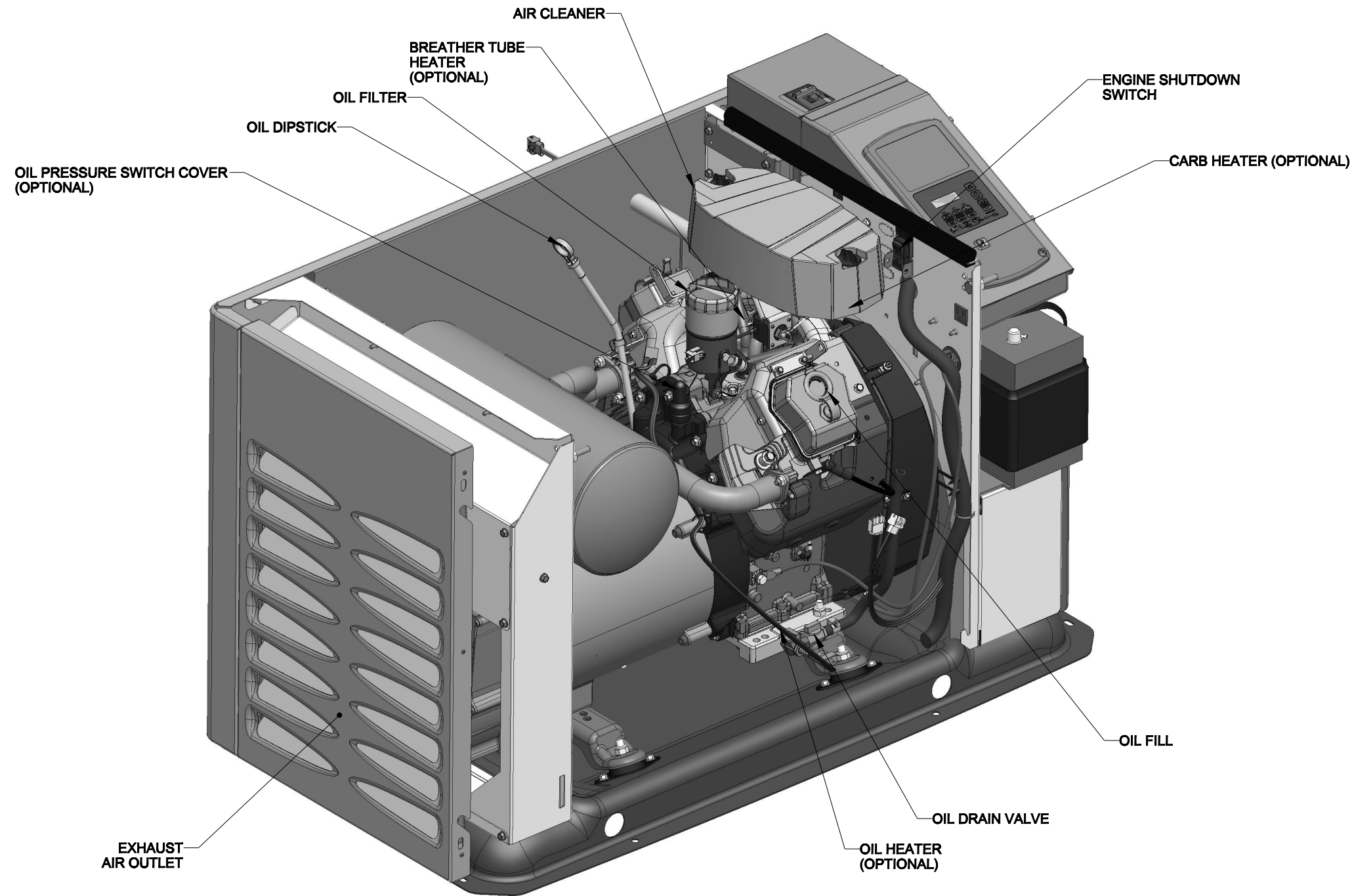
KOHLER.

SCALE: 0.40 SHEET SIZE: B SHEET: 1 OF 5

TITLE:
DIMENSION PRINT, 26RCA

DWG NO.: **ADV-9919**

26RCA



REV	DATE	ON COMPOSITE DWGS, SEE PART NO. FOR REVISION LEVEL □ INDICATES PART NUMBERS AFFECTED BY LATEST DRAWING REVISION	BY
-	05DEC2022	NEW DRAWING	AKH
A	11JAN2023	(D-7) OIL PRESSURE SWITCH COVER (OPTIONAL) WAS OIL PRESSURE SWITCH (OPTIONAL); SEE SHEET 5	AKH
B	14FEB2023	SEE SHEET 4 & 5	AKH

UNLESS OTHERWISE SPECIFIED:
ALL DIMENSIONS IN MILLIMETERS
GENERAL TOLERANCES: N/A

THIRD ANGLE PROJECTION

MAJOR ⌀ = 0
CRITICAL ⌀ = 0

CHARACTERISTICS COMPLY WITH
KPS-80022

DRAWN: AKH DATE: 05DEC2022

APPROVED: SEE PLM SYSTEM

DO NOT SCALE.
THIS ASSEMBLY OR PART MUST
COMPLY WITH PEP-RML-001.
REFERENCE CAD MODEL FOR
UNSPECIFIED DIMENSIONS.

KOHLER.

SCALE: 0.40 SHEET SIZE: B SHEET: 2 OF 5

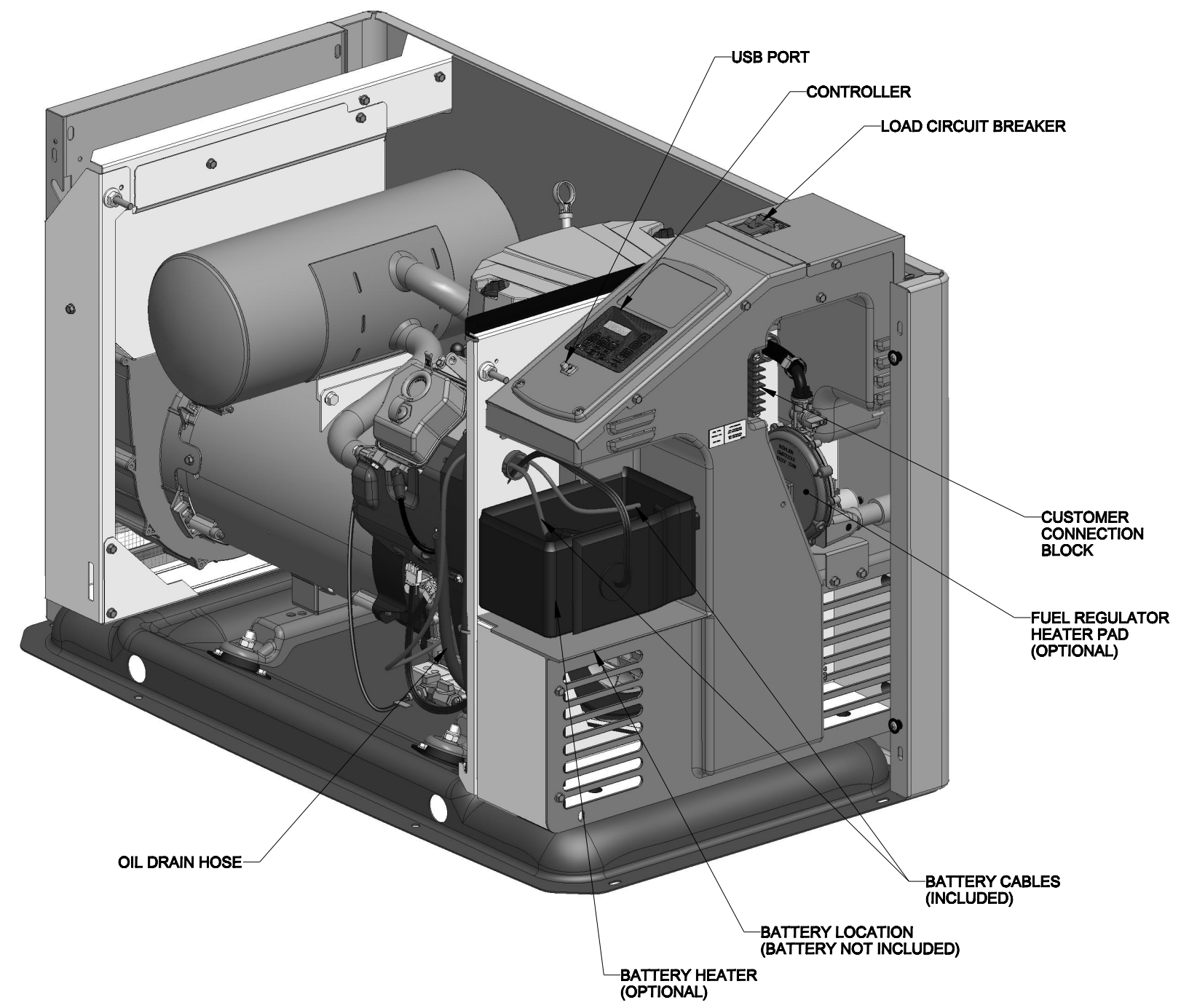
TITLE:
DIMENSION PRINT, 26RCA

DWG NO.: **ADV-9919**

26RCA



AIR INLET



USB PORT

CONTROLLER

LOAD CIRCUIT BREAKER

CUSTOMER CONNECTION BLOCK

FUEL REGULATOR HEATER PAD (OPTIONAL)

BATTERY CABLES (INCLUDED)

BATTERY LOCATION (BATTERY NOT INCLUDED)

BATTERY HEATER (OPTIONAL)

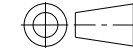
OIL DRAIN HOSE

26RCA

REV	DATE	ON COMPOSITE DWGS, SEE PART NO. FOR REVISION LEVEL □ INDICATES PART NUMBERS AFFECTED BY LATEST DRAWING REVISION	BY
-	05DEC2022	NEW DRAWING	AKH
A	11JAN2023	SEE SHEET 2 AND 5	AKH
B	14FEB2023	SEE SHEET 4 & 5	AKH

UNLESS OTHERWISE SPECIFIED:
ALL DIMENSIONS IN MILLIMETERS
GENERAL TOLERANCES: N/A

THIRD ANGLE PROJECTION



MAJOR ⌀ = 0
CRITICAL Ⓢ = 0

CHARACTERISTICS COMPLY WITH
KPS-80022

DRAWN: AKH DATE: 05DEC2022

APPROVED: SEE PLM SYSTEM

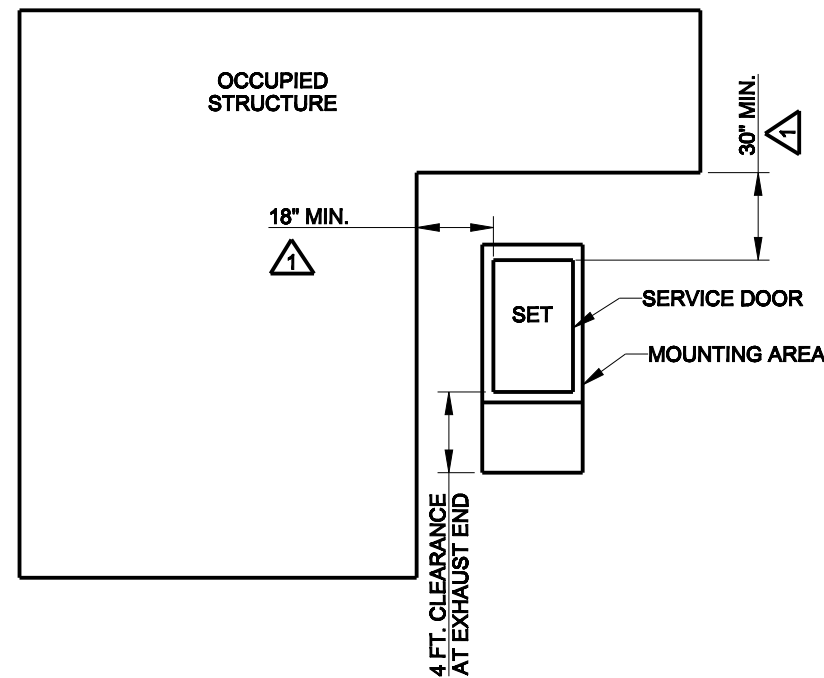
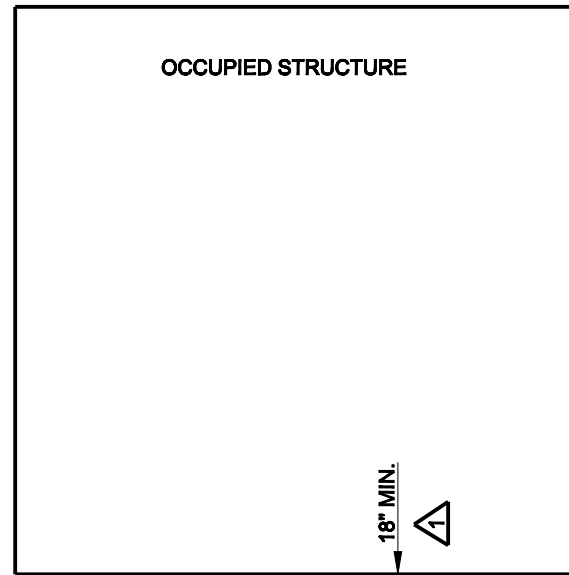
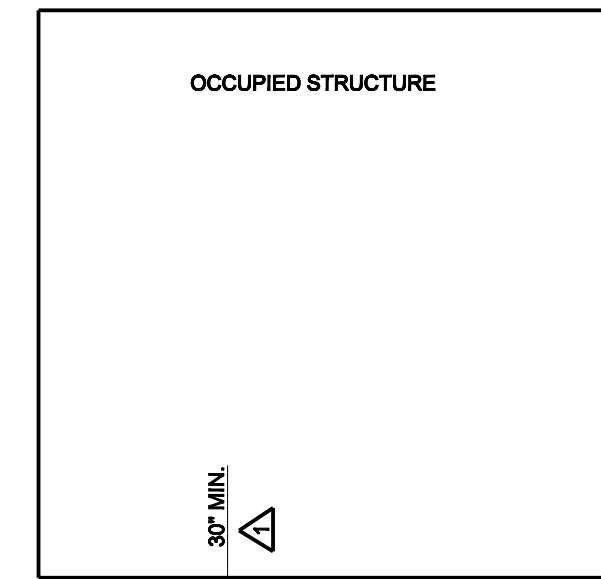
DO NOT SCALE.
THIS ASSEMBLY OR PART MUST
COMPLY WITH PEP-RML-001.
REFERENCE CAD MODEL FOR
UNSPECIFIED DIMENSIONS.

KOHLER.

SCALE: 0.40 SHEET SIZE: B SHEET: 3 OF 5

TITLE:
DIMENSION PRINT, 26RCA

DWG NO.: **ADV-9919**



NOTE:
 ⚠ THE RECOMMENDED DISTANCE FROM A STRUCTURE IS DEPENDENT ON STATE AND LOCAL CODES. PRODUCT HAS BEEN DEMONSTRATED IN ACCORDANCE WITH NFPA 37 SECTION 4.1.4 BY A THIRD PARTY TEST FACILITY TO THE DIMENSIONS SHOWN.

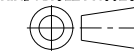
ACCEPTABLE

- 1) EXHAUST IS AIMED AWAY OR PARALLEL TO STRUCTURE.
- 2) EXHAUST IS NOT DIRECTED AT PLAY AREAS, PATIOS OR OTHER AREAS WHERE PEOPLE CONGREGATE.
- 3) THE NEAREST WINDOW, VENT, DOOR OR SIMILAR STRUCTURE OPENING IS AT LEAST 5 FEET FROM THE EXHAUST END OF THE SET.
- 4) SET HAS PROPER OFFSET FROM STRUCTURE.
- 5) WINDOWS & DOORS ON ADJACENT WALLS ARE CLOSED.
- 6) FURNACE AND OTHER SIMILAR INTAKES ARE AT LEAST 10 FEET FROM EXHAUST END OF SET.
- 7) WEED BARRIER AND 3 INCH THICK GRAVEL BASE OR CONCRETE PAD LOCATED TO PREVENT GRASS & WEEDS FROM GROWING TOO CLOSE TO THE SET.
- 8) NO PLANTS, SHRUBS OR OTHER COMBUSTIBLES ALLOWED IN CLEARANCE AREA. (MINIMUM 4 FT. FROM EXHAUST END).
- 9) REFER TO OWNERS MANUAL FOR OTHER INSTALLATION CONSTRAINTS.
- 10) NO PLANTS, SHRUBS, OR OTHER COMBUSTIBLES ALLOWED WITHIN 30" OF AIR INTAKE.
- 11) MUST MAINTAIN A MINIMUM OF 3 FEET CLEARANCE FROM SERVICE DOOR ENTRANCE.
- 12) OVERHANGS AND AWNINGS MUST BE A MINIMUM OF 5 FEET FROM GENSET.

UNLESS OTHERWISE SPECIFIED:
 ALL DIMENSIONS IN MILLIMETERS
 GENERAL TOLERANCES: N/A

DO NOT SCALE.
 THIS ASSEMBLY OR PART MUST COMPLY WITH PEP-RML-001.
 REFERENCE CAD MODEL FOR UNSPECIFIED DIMENSIONS.

THIRD ANGLE PROJECTION



MAJOR ⌀ = 0
 CRITICAL Ⓢ = 0

CHARACTERISTICS COMPLY WITH
 KPS-80022

DRAWN: AKH DATE:

APPROVED: SEE PLM SYSTEM 05DEC2022

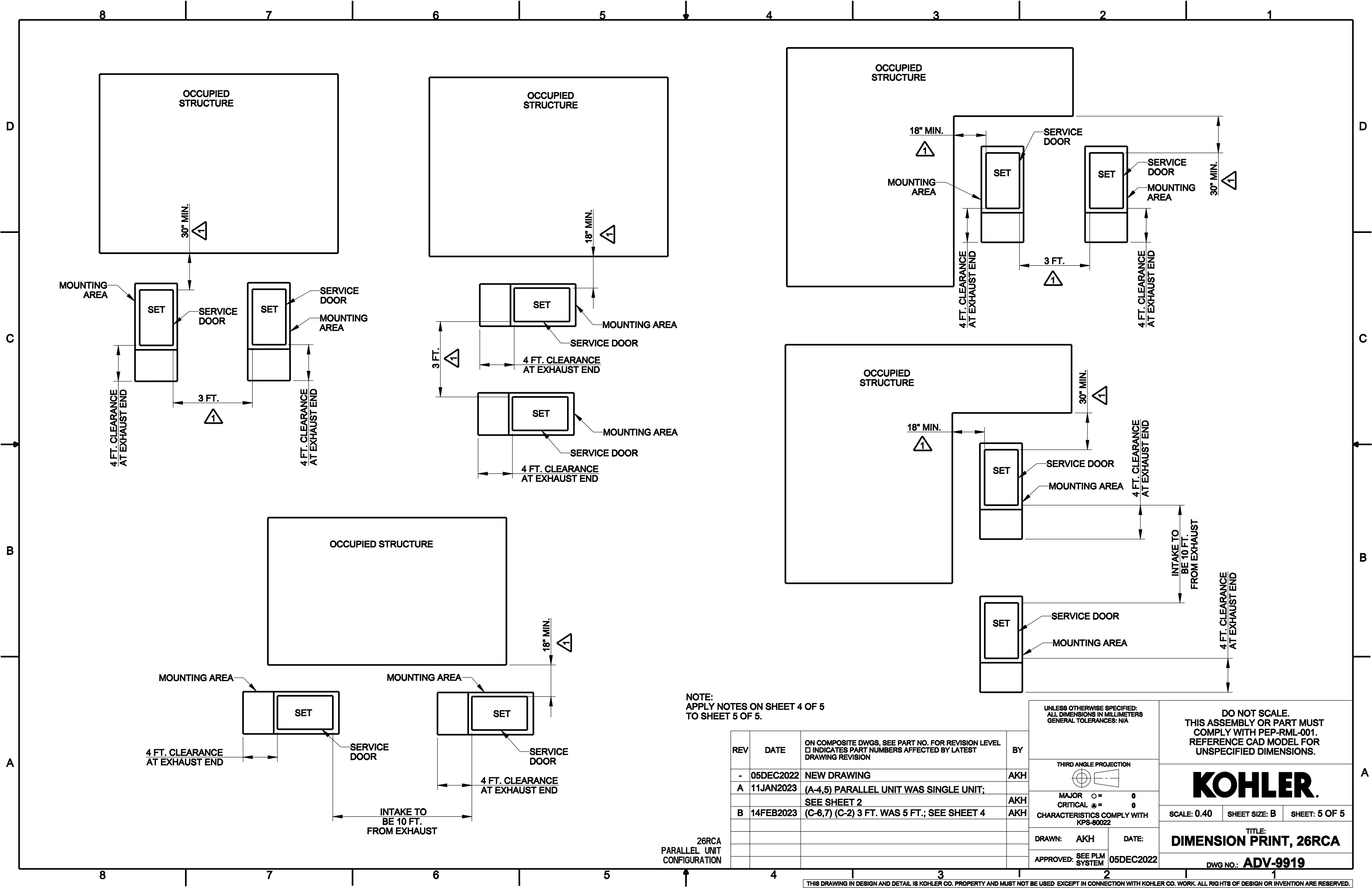
SCALE: 0.40 SHEET SIZE: B SHEET: 4 OF 5

TITLE:
DIMENSION PRINT, 26RCA

DWG NO.: **ADV-9919**

REV	DATE	ON COMPOSITE DWGS, SEE PART NO. FOR REVISION LEVEL □ INDICATES PART NUMBERS AFFECTED BY LATEST DRAWING REVISION	BY
-	05DEC2022	NEW DRAWING	AKH
A	11JAN2023	SEE SHEET 2 AND 5	AKH
B	14FEB2023	(B-2) 3 FEET CLEARANCE WAS 5 FEET CLEARANCE; SEE SHEET 5	AKH

26RCA
 SINGLE UNIT
 CONFIGURATION



NOTE:
 APPLY NOTES ON SHEET 4 OF 5
 TO SHEET 5 OF 5.

REV	DATE	ON COMPOSITE DWGS, SEE PART NO. FOR REVISION LEVEL <input type="checkbox"/> INDICATES PART NUMBERS AFFECTED BY LATEST DRAWING REVISION	BY
-	05DEC2022	NEW DRAWING	AKH
A	11JAN2023	(A-4,5) PARALLEL UNIT WAS SINGLE UNIT; SEE SHEET 2	AKH
B	14FEB2023	(C-6,7) (C-2) 3 FT. WAS 5 FT.; SEE SHEET 4	AKH

UNLESS OTHERWISE SPECIFIED:
 ALL DIMENSIONS IN MILLIMETERS
 GENERAL TOLERANCES: N/A

THIRD ANGLE PROJECTION

MAJOR $\circ = 0$
 CRITICAL $\bullet = 0$

CHARACTERISTICS COMPLY WITH
 KPS-80022

DRAWN: AKH DATE: 05DEC2022
 APPROVED: SEE PLM SYSTEM

DO NOT SCALE.
 THIS ASSEMBLY OR PART MUST
 COMPLY WITH PEP-RML-001.
 REFERENCE CAD MODEL FOR
 UNSPECIFIED DIMENSIONS.

KOHLER.

SCALE: 0.40 SHEET SIZE: B SHEET: 5 OF 5

TITLE:
DIMENSION PRINT, 26RCA

DWG NO.: **ADV-9919**

26RCA
 PARALLEL UNIT
 CONFIGURATION