

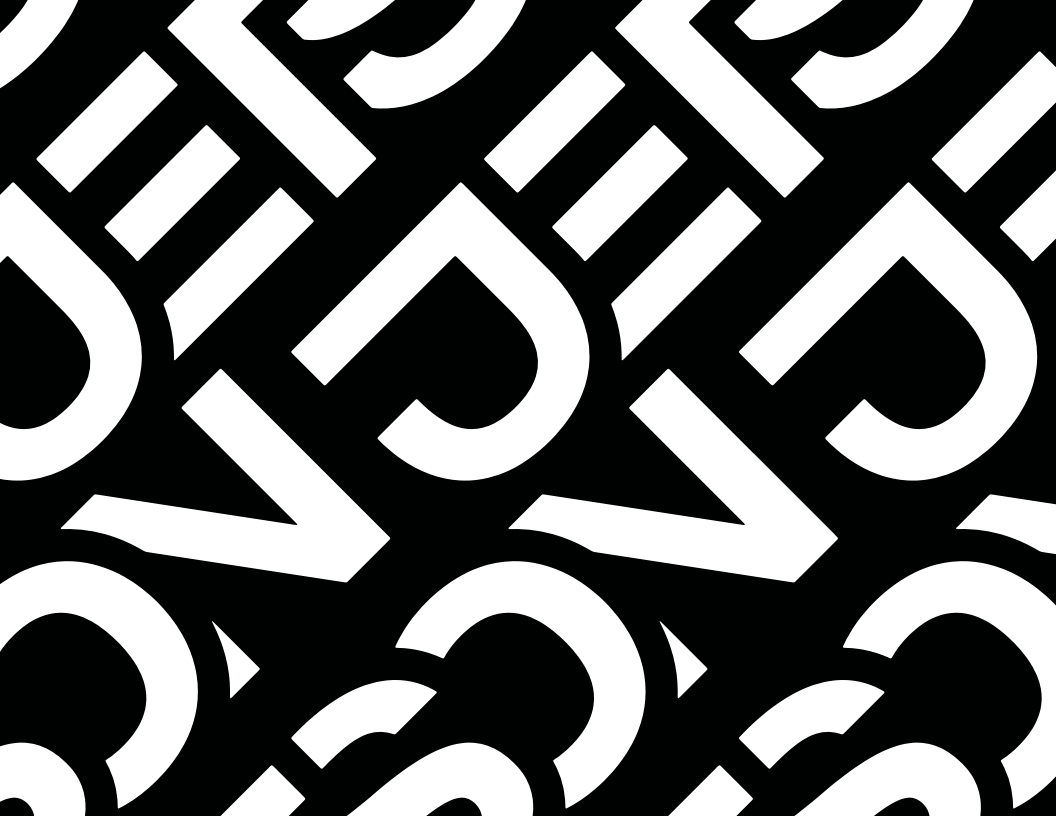
JETSON

J8 Electric Bike.

A guide for your ride.

IMPORTANT, RETAIN FOR FUTURE REFERENCE: READ CAREFULLY

MODEL: JJ8-BLK



**Remember to be safe and,
most importantly, have fun!**

Table of Contents

Safety Warnings	4
What's in the Box	6
Specs & Features	8
Safe Checklist	9
Inserting the Seat	10
Unfolding / Folding the Handlebar	14
Unfolding / Folding the Pedals	16
Unfolding / Folding the J8	18
Adjusting Height of Seat	21
Uninstalling / Installing the Battery	23
Operating the J8	26
Charging the Battery	28
Helmet Safety	29
Riding the J8	30
Care and Maintenance	31

Safety Warnings

- Before use, please read the user manual and safety warnings carefully, and make sure you understand and accept all the safety instructions. The user will be responsible for any loss or damage caused by improper use.
- Before each cycle of operation, the operator shall perform the preoperation checks specified by the manufacturer: That all guards and pads originally supplied by the manufacturer are in proper place and in serviceable condition; That the braking system is functioning properly; That any and all axle guards, chain guards, or other covers or guards supplied by the manufacturer are in place and in serviceable condition; That tires are in good condition, inflated properly, and have sufficient tread remaining; The area that the product is to be operated should be safe and suitable for safe operation.
- Components shall be maintained and repaired in accordance with the manufacturer's specifications and using only the manufacturer's authorized replacement parts with installation performed by dealers or other skilled persons.
- Warning against recharging non-rechargeable batteries.
- Don't allow hands, feet, hair, body parts, clothing, or similar articles to come in contact with moving parts, wheels, or drive train, while the motor is running.
- This product should not be used by children or persons with reduced physical, sensory or mental capabilities, or lack of experience and knowledge, unless they have been given supervision or instruction (IEC 60335-1/A2:2006).
- Unsupervised children should not play with the product (IEC 60335-1/A2:2006).
- Adult supervision is required.
- The rider should not exceed 260 lb.
- Units shall not be operated to perform racing, stunt riding, or other maneuvers, which may cause loss of control, or may cause uncontrolled operator/passenger actions or reactions.
- Never use near motor vehicles.
- Avoid sharp bumps, drainage grates, and sudden surface changes. Scooter may suddenly stop.
- Avoid streets and surfaces with water, sand, gravel, dirt, leaves, and other debris. Wet weather impairs traction, braking, and visibility.
- Avoid riding around flammable gas, steam, liquid, or dust that could cause fire.
- Operators shall adhere to all of the manufacturer's recommendations and instructions, as well as comply with all laws and ordinances: Units without headlights shall be operated only with adequate daylight conditions of visibility, and; Owners shall be encouraged to highlight (for conspicuity) using lighting, reflectors, and for low-riding units, signal flags on flexible poles.
- Persons with the following conditions shall be cautioned not to operate: Those with heart conditions; Pregnant women; Persons with head, back, or neck ailments, or prior surgeries to those areas of the body; and persons with any mental or physical conditions that may make them susceptible to injury or impair their physical dexterity or mental capabilities to recognize, understand, and perform all of the safety instructions and to be able to assume the hazards inherent in unit use.
- Do not ride at night.
- Do not ride after drinking or taking prescription medication.
- Do not carry items when riding.
- Never operate the product barefooted.
- Always wear shoes and keep shoelaces tied.
- Make sure your feet are always placed securely on the deck.
- Operators always shall use appropriate protective clothing, including but not limited to a helmet, with appropriate certification, and any other equipment recommended by the manufacturer: Always wear protective equipment such as helmet, knee pads, and elbow pads.
- Always give way to pedestrians.
- Be alert to things in front and far away from you.
- Do not allow distractions when riding, such as answering the phone or engaging in any other activities.
- The product cannot be ridden by more than one person.
- When you ride the product along with other riders, always keep a safe distance to avoid a collision.
- When turning, be sure to maintain your balance.
- Riding with improperly adjusted brakes is dangerous and can result in serious injury or death.
- The brake may become hot while operating, do not touch the brake with your bare skin.

- Applying brakes too hard or too suddenly can lock up a wheel, which could cause you to lose control and fall. Sudden or excessive application of the brake may result in injury or death.
- If the brake loosens, please adjust with the hexagon wrench, or please contact Jetson Customer Care.
- Replace worn or broken parts immediately.
- Check whether all safety labels are in place and understood before riding.
- The owner shall allow the use and operation of the unit after a demonstration that such operators can understand and operate all components of the unit before use.
- Do not ride without proper training. Do not ride at high speeds, on uneven terrain, or on slopes. Do not perform stunts or turn abruptly.
- Recommended for indoor use.
- Prolonged exposure to UV rays, rain and the elements may damage the enclosure materials, store indoors when not in use.

California Proposition 65

WARNING:

This product can expose you to a chemical such as Cadmium that is known to the state of California to cause cancer or birth defects or other reproductive harm. For more information go to www.p65warnings.ca.gov/product

MODIFICATIONS

Do not attempt to disassemble, modify, repair, or replace the unit or any components of the unit without instruction from Jetson Customer Care. This will void any warranty, and can lead to malfunctions which may cause injury.

ADDITIONAL OPERATION CAUTIONS

Do not lift the product off the ground while it is on and the wheels are in motion. This can result in freely spinning wheels, which may cause injury to yourself or others nearby. Do not jump on or off the product, and do not jump while using it. Always keep your feet firmly planted on the foot rest while in operation. Always check the battery charge before using.

NOTICE OF COMPLIANCE

This device complies with Part 15 of the FCC Rules. Operation is subject to the following two conditions:

(1) this device may not cause harmful interference, and (2) this device must accept any interference received, including interference that may cause undesired operation. Warning: Changes or modifications to this unit not expressly approved by the party responsible for compliance could void the user's authority to operate the equipment.

NOTE: This equipment has been tested and found to comply with the limits for a Class B digital device, pursuant to Part 15 of the FCC Rules. These limits are designed to provide reasonable protection against harmful interference in a residential installation. This equipment generates, uses and can radiate radio frequency energy and, if not installed and used in accordance with the instructions, may cause harmful interference to radio communications. However, there is no guarantee that interference will not occur in a particular installation. If this equipment does cause harmful interference to radio or television reception, which can be determined by turning the equipment off and on, the user is encouraged to try to correct the interference by one or more of the following measures:

- Reorient or relocate the receiving antenna.
- Increase the separation between the equipment and receiver.
- Connect the equipment into an outlet on a circuit different from that to which the receiver is connected.
- Consult the dealer or an experienced radio/ TV technician for help.

Shielded cables must be used with this unit to ensure compliance with the Class B FCC limits.

DISPOSAL OF USED BATTERY



Battery may contain hazardous substances which could endanger the environment and human health. This symbol marked on the battery and/ or packaging indicates that used battery shall not be treated as municipal waste. Batteries should be disposed of at an appropriate collection point for recycling. By ensuring the used batteries are disposed of correctly, you will help preventing potential negative consequences for the environment and human health. The recycling of materials will help to conserve natural resources. For more information about recycling of used batteries, please contact your local municipality waste disposal service.

What's in the Box

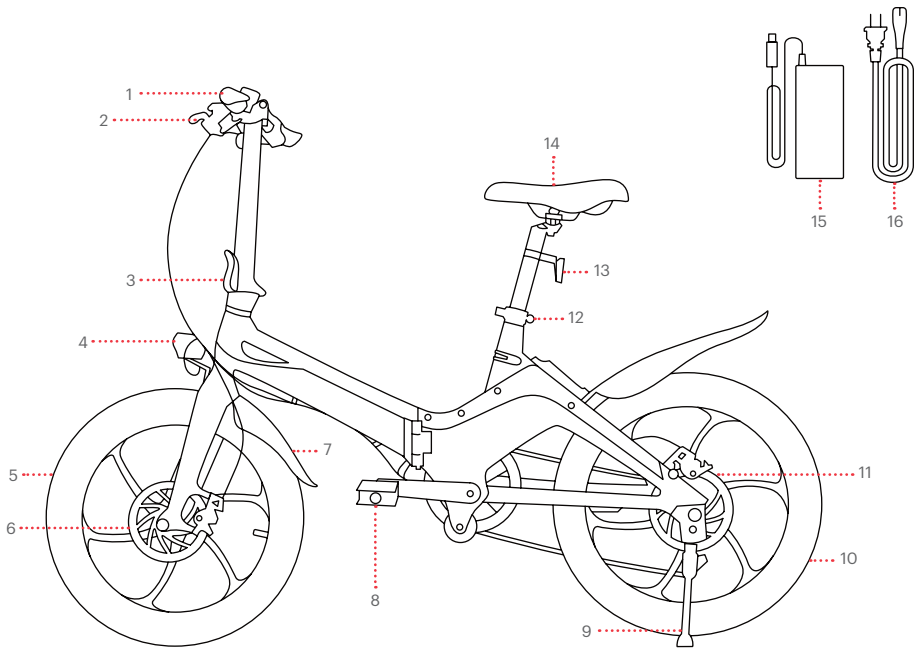
- | | |
|-----------------------|--------------------|
| 1. HANDLEBAR | 9. KICKSTAND |
| 2. HANDBRAKE | 10. REAR TIRE |
| 3. STEM QUICK RELEASE | 11. MOTOR |
| 4. HEADLIGHT | 12. SEAT CLAMP |
| 5. FRONT TIRE | 13. REAR LIGHT |
| 6. DISC BRAKE | 14. SEAT |
| 7. FRONT FENDER | 15. CHARGER |
| 8. PEDAL | 16. CHARGING CABLE |

HARDWARE INCLUDED:



WRENCH

*ADULTS MUST ASSIST CHILDREN IN THE INITIAL ADJUSTMENT PROCEDURES OF THE PRODUCT.

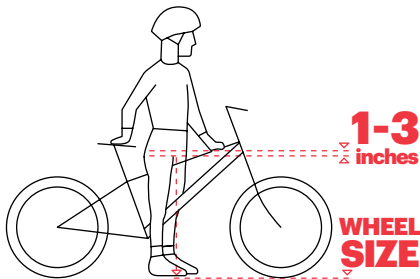


PLEASE NOTE: IMAGES MAY NOT REFLECT EXACT APPEARANCE OF ACTUAL PRODUCT.

Specs & Features

- PRODUCT UNFOLDED DIMS: 60" x 25.6" x 42.5"
- PRODUCT FOLDED DIMS: 31.5" x 17" x 26.4"
- PRODUCT WEIGHT: 43 LB
- TIRE SIZE: 20 IN
- BATTERY: 5AH LITHIUM-ION
- CHARGER: 42V 1.5A
- CHARGE TIME: UP TO 6 HOURS
- MOTOR: 350W
- MAX SPEED: 15.5 MPH
- MAX RANGE (PEDAL ASSIST): UP TO 30 MILES
- MAX RANGE (TWIST THROTTLE): UP TO 15 MILES
- BRAKE TYPE: HAND & DISC BRAKE
- WEIGHT LIMIT: 260 LB
- RECOMMENDED AGE: 16+

Correct Frame Size



FOR SAFE AND COMFORTABLE RIDING THERE SHOULD BE A CLEARANCE OF AT LEAST 1-3 INCHES BETWEEN THE CROTCH AND THE TOP TUBE OF THE BICYCLE FRAME, WHILE THE RIDER STRADDLES THE BICYCLE WITH BOTH FEET FLAT ON THE GROUND.

⚠ WARNING:

FAILURE TO COMPLY WITH THE FOLLOWING INSTRUCTIONS MAY RESULT IN INJURY TO THE CHILD OR OTHERS.

- KEEP SMALL PARTS AWAY FROM CHILDREN DURING ASSEMBLY.
- ACCESSORY MUST BE ASSEMBLED AND REMOVED BY AN ADULT.
- FREQUENTLY INSPECT THE PRODUCT FOR DAMAGE.

Safety Checklist

IT'S ALWAYS IMPORTANT TO DO A FEW, BUT IMPORTANT, SAFETY CHECKS BEFORE EVERY RIDE.
LET'S GO THROUGH THEM:

BRAKES

CHECK THE BRAKE IS IN GOOD WORKING ORDER. MAKE SURE PEDALS ROTATE BACKWARDS SMOOTHLY AND THAT THE REAR AXLE IS LUBRICATED.

STEERING

CHECK THAT THE HANDLEBAR AND STEM ARE SECURELY TIGHTENED.

CRANKS AND PEDALS

CHECK THAT THE PEDALS ARE SECURELY TIGHTENED TO THE CRANKS AND THAT THE CRANKS ARE TIGHTENED TO THE AXLE.

WHEELS AND TIRES

MAKE SURE THAT THE TIRES ARE INFLATED TO WITHIN THEIR MAXIMUM RECOMMENDED TIRE PRESSURE. CHECK TIRES FOR EXCESSIVE WEAR OR ANY DAMAGE AND THAT THE WHEEL RIMS ARE NOT DAMAGED. CHECK THAT THE WHEEL SPOKES ARE NOT BROKEN AND THAT THE AXLE NUTS ARE TIGHT.

CHAIN

MAKE SURE ALL BEARINGS ARE LUBRICATED AND RUN SMOOTHLY.

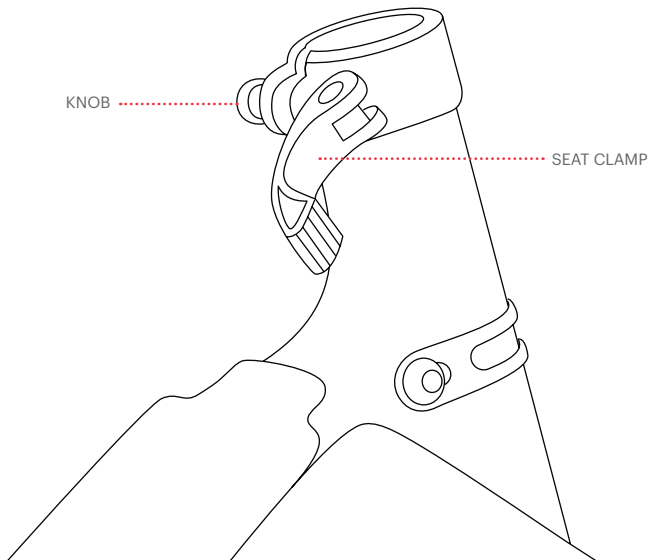
FRAME AND FORK

CHECK THAT THE FRAME AND FORK ARE NOT IN ANY WAY DAMAGED OR BROKEN.

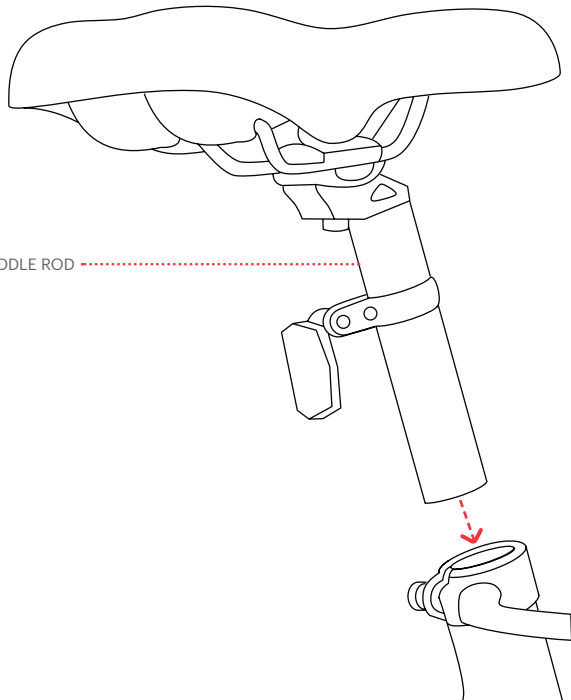
1. Get Started

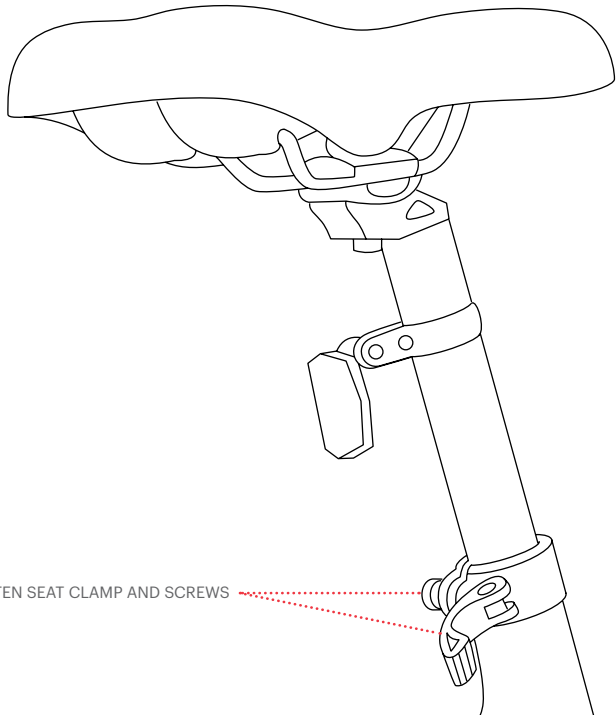
1.1 Inserting the Seat

- LOOSEN THE SEAT CLAMP AND KNOB TO OPEN THE SEAT CLAMP.

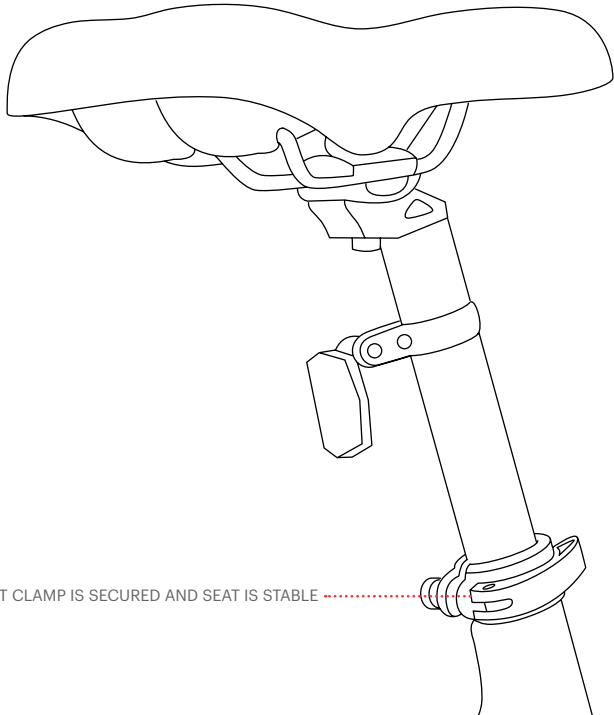


INSERT THE SADDLE ROD



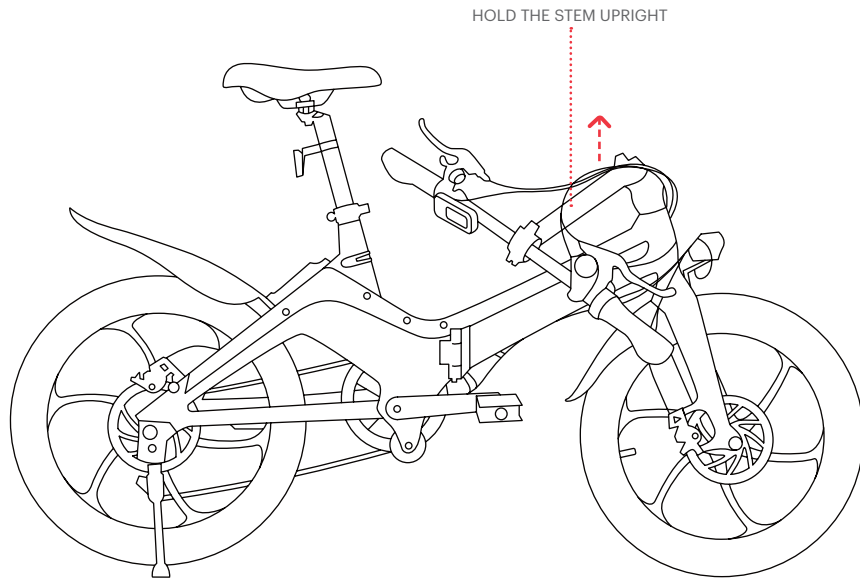


TIGHTEN SEAT CLAMP AND SCREWS



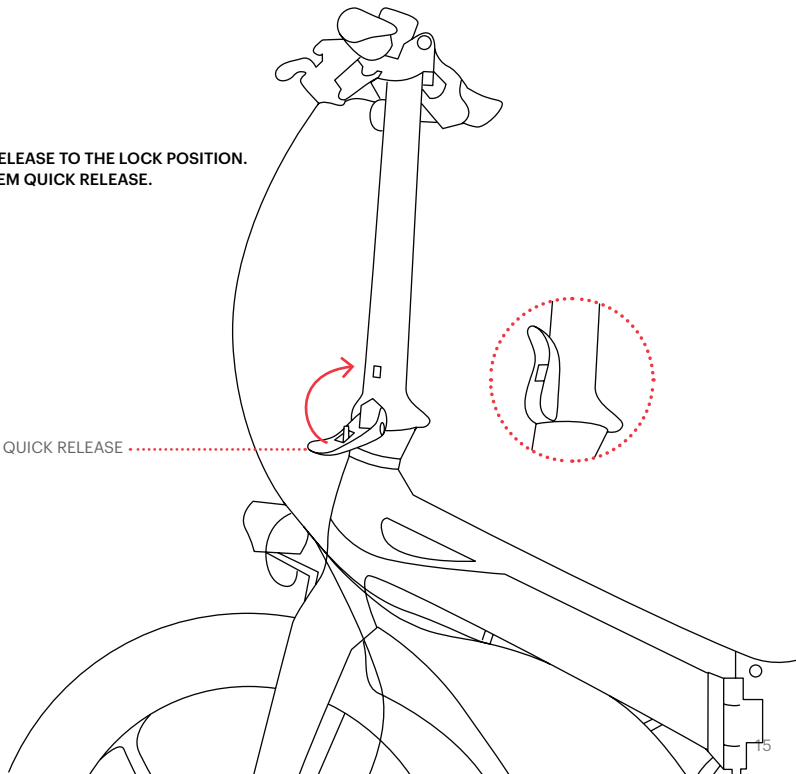
MAKE SURE SEAT CLAMP IS SECURED AND SEAT IS STABLE

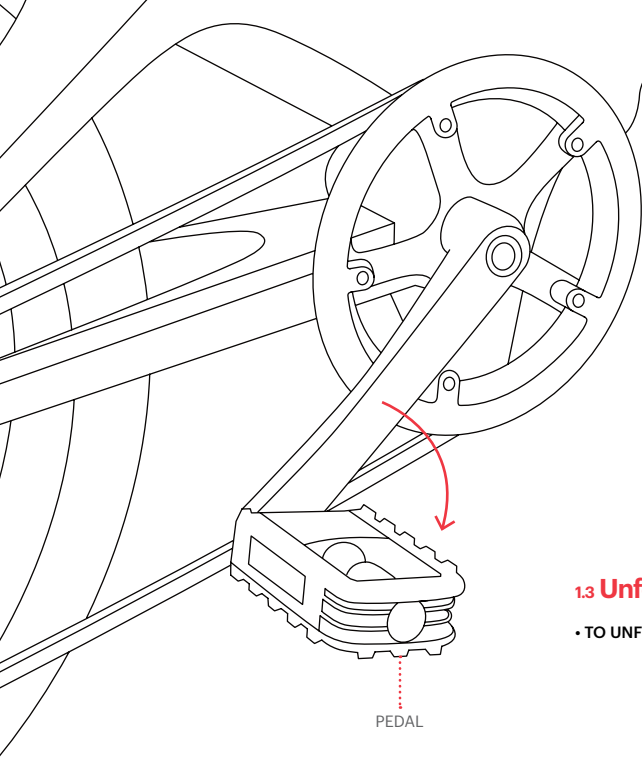
1.2 Unfolding / Folding the Handlebar



- PRESS THE STEM QUICK RELEASE TO THE LOCK POSITION.
- TO FOLD, UNLOCK THE STEM QUICK RELEASE.

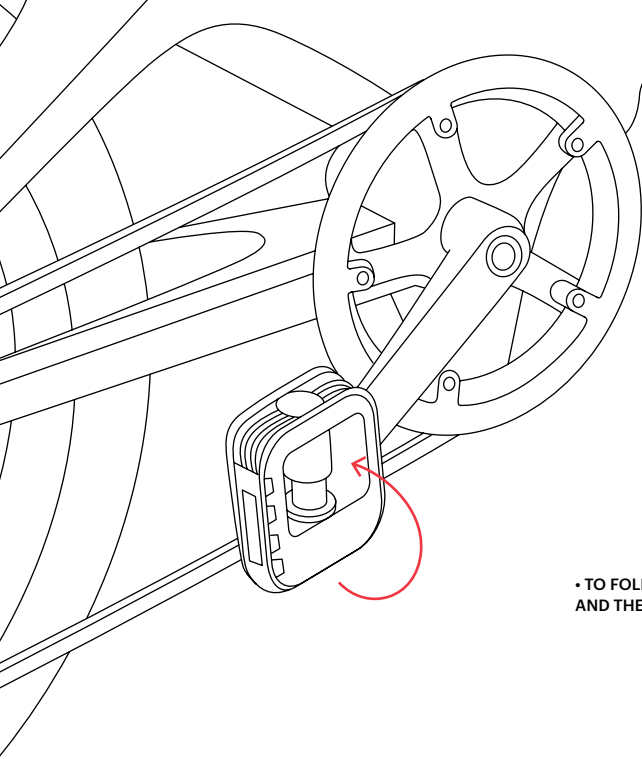
STEM QUICK RELEASE



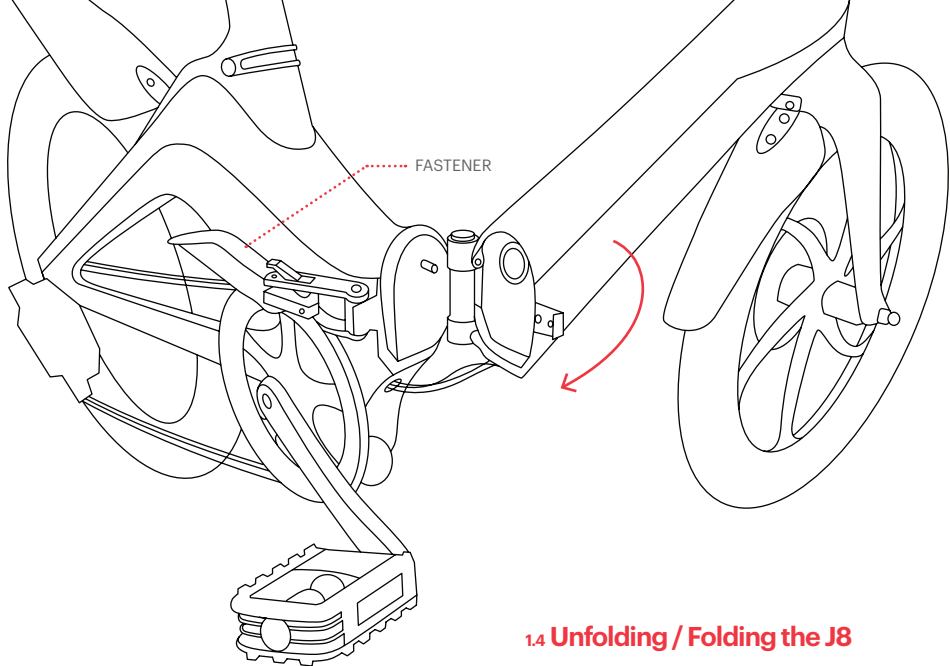


1.3 Unfolding / Folding the Pedals

- TO UNFOLD, PULL OUT PEDAL.



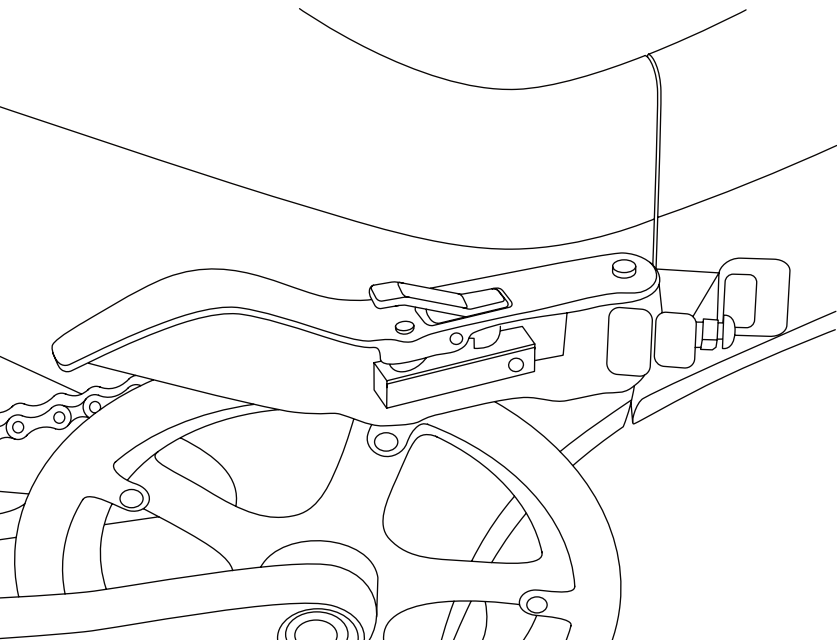
- TO FOLD, PRESS PEDAL TOWARDS THE BIKE CRANK AND THEN FOLD IT UP.

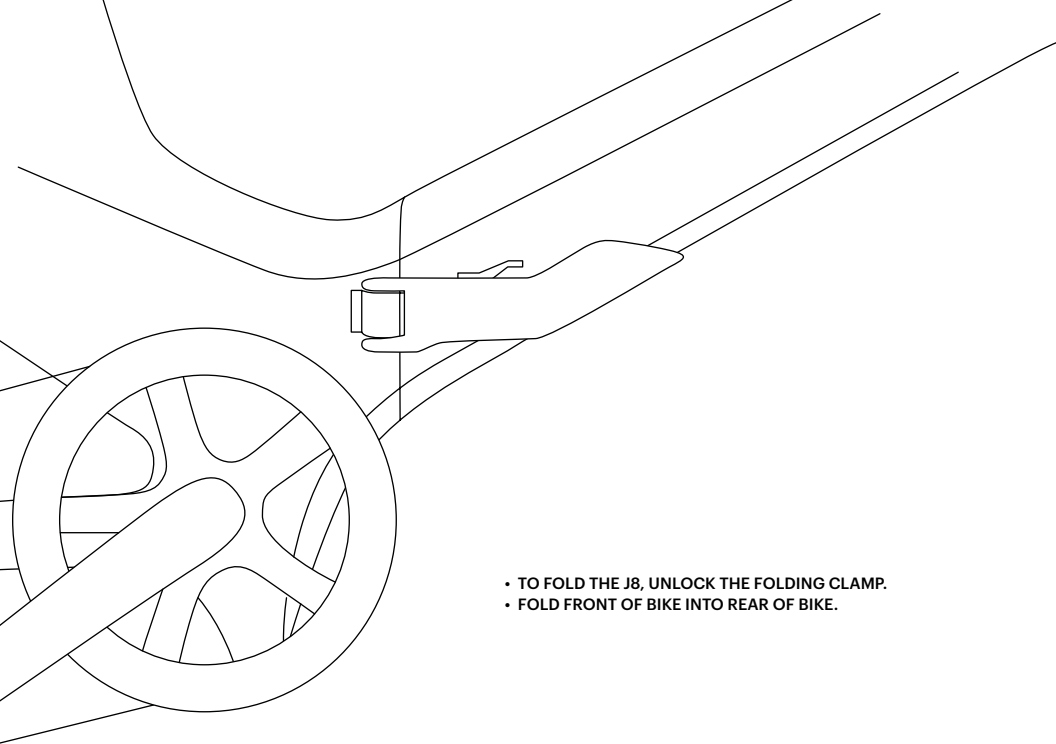


1.4 Unfolding / Folding the J8

- UNFOLD BIKE FRAME.
- MAKE SURE FASTENER IS RELEASED.

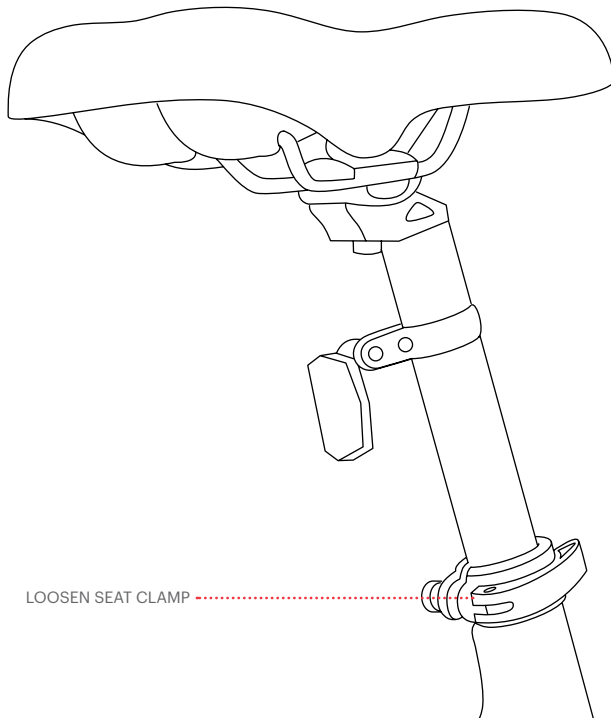
- LOCK FOLDING CLAMP. MAKE SURE BIKE FRAME IS STABLE AND SECURE.





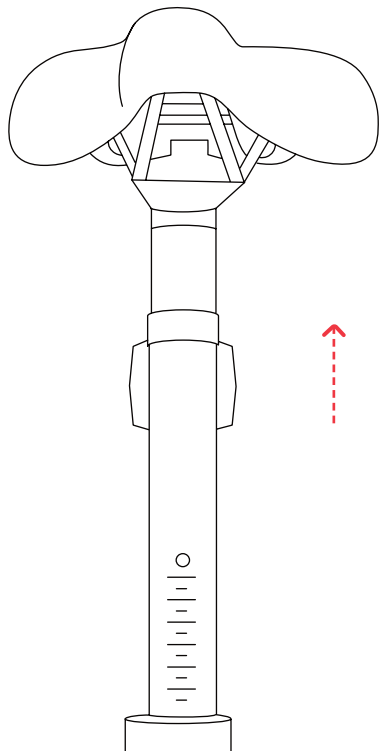
- TO FOLD THE J8, UNLOCK THE FOLDING CLAMP.
- FOLD FRONT OF BIKE INTO REAR OF BIKE.

1.5 Adjusting Height of Seat



LOOSEN SEAT CLAMP

- MOVE SEAT TO DESIRED HEIGHT
- TIGHTEN SEAT CLAMP. MAKE SURE SEAT IS SECURE.



1.6 Uninstalling / Installing the Battery

- WHEN UNINSTALLING THE BATTERY, MAKE SURE THE J8 IS POWERED OFF. OPEN THE BATTERY COVER.

BATTERY COVER



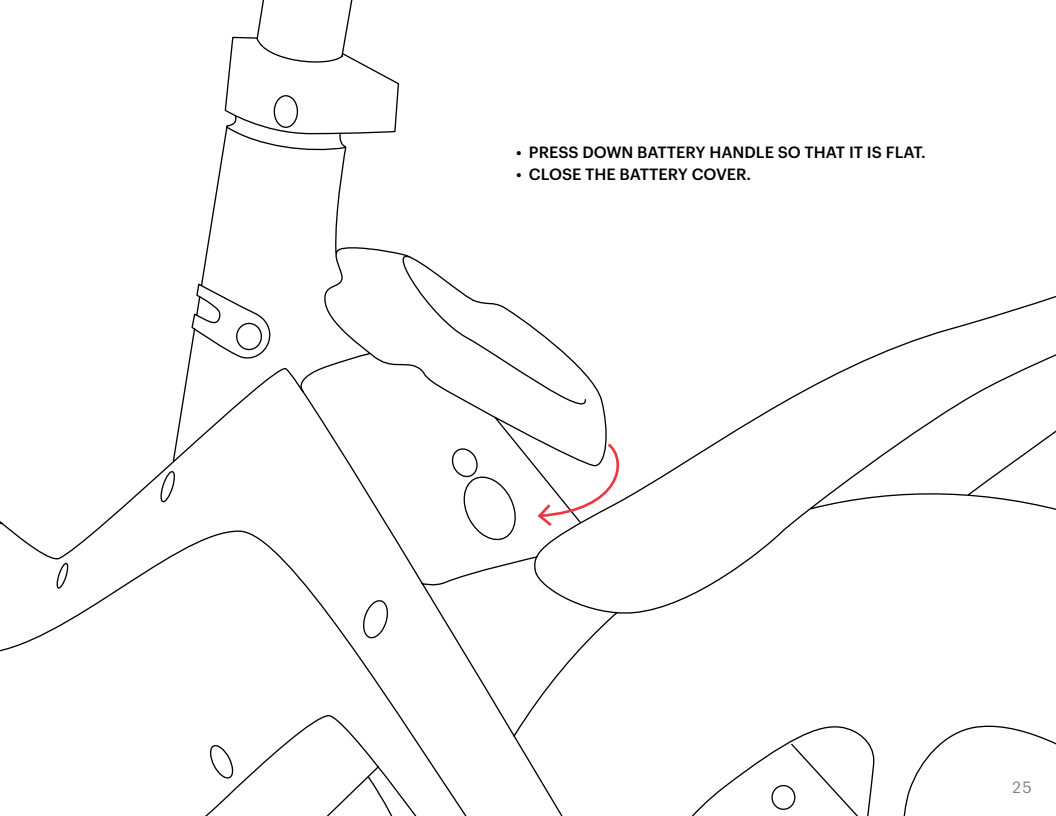
- PULL OUT THE BATTERY BOX WITH THE LIFTING HANDLE.
- TO INSTALL THE BATTERY, LOCK THE BATTERY WITH KEY.
- REMOVE KEY.

BATTERY

LOCK

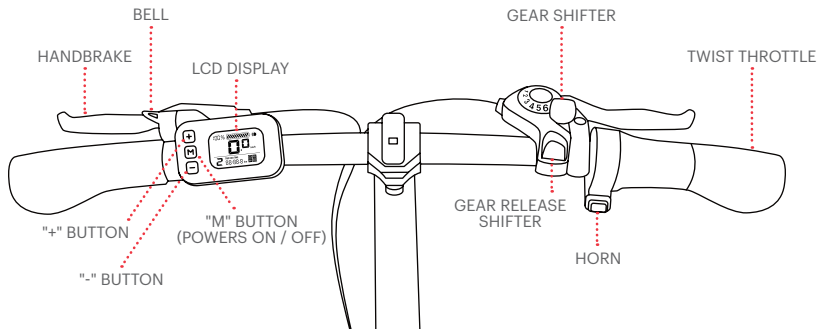
HANDLE

- PRESS DOWN BATTERY HANDLE SO THAT IT IS FLAT.
- CLOSE THE BATTERY COVER.

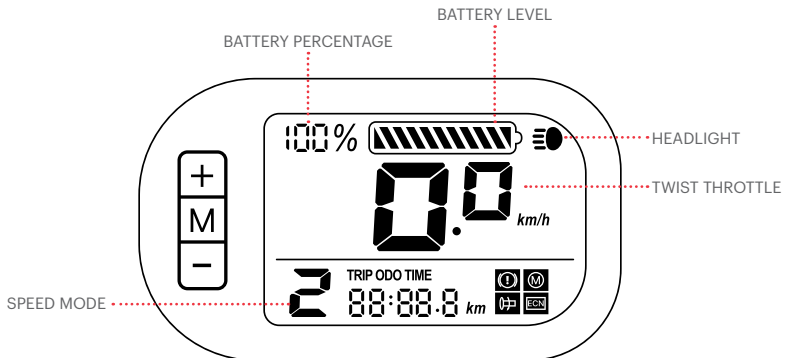


2. Make Moves

2.1 Operating the J8



- HOLD DOWN THE **M BUTTON** FOR THREE SECONDS TO POWER ON.
- HOLD DOWN THE **M BUTTON** AGAIN FOR THREE SECONDS TO TURN OFF.
- **+ BUTTON**: PRESS DOWN FOR 3 SECONDS TO TURN ON/OFF THE HEADLIGHT. PRESS QUICKLY TO SWITCH GEARS.
- **- BUTTON**: PRESS QUICKLY TO SWITCH GEARS.



PEDAL ASSIST MODES:

0	1	2	3
PEDAL MODE	9 MPH	12 MPH	15.5 MPH

ICONS:



BRAKE IS IN OPERATION



THROTTLE WARNING



MOTOR WARNING



CONTROLLER WARNING

TRIP ODO TIME

SWITCH BETWEEN DISTANCE TRAVELED ON A SINGLE TRIP, TOTAL DISTANCE TRAVELED, AND JOURNEY TIME.

00:00.0

ODOMETER FIGURES SHOWS DISTANCE TRAVELED ON A SINGLE TRIP, TOTAL DISTANCE TRAVELED, OR JOURNEY TIME.

2.2 Charging the Battery

CHARGING THE BATTERY

- ONLY USE THE INCLUDED CHARGER
- PLUG THE CHARGER INTO THE WALL BEFORE THE CHARGING PORT
- DON'T TURN ON THE J8 WHILE IT'S CHARGING
- CHARGE THE BATTERY UNTIL IT IS FULLY CHARGED - UP TO 4 HOURS
- REPLACE THE COVER OVER THE CHARGING PORT WHEN DONE

CHARGING PORT

CHARGING INDICATOR ON THE CHARGER:

- - BATTERY IS CHARGING
- - CHARGING IS COMPLETE

2.3 Helmet Safety

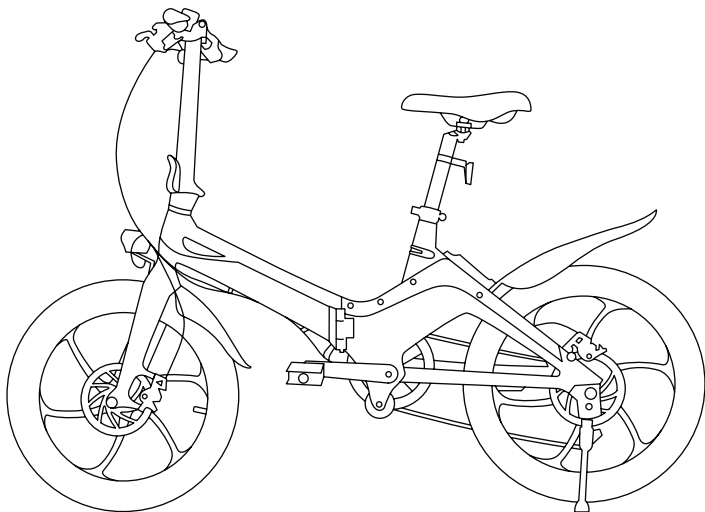


THE FOREHEAD IS COVERED
BY THE HELMET.



THE FOREHEAD IS EXPOSED.
COULD CAUSE SERIOUS INJURY.

2.4 Riding the J8



- BEFORE EACH RIDE, CHECK THAT THE HANDLEBAR AND SEAT ARE SECURE, THE TIRE PRESSURE IS SUFFICIENT, AND THE BRAKE SYSTEM WORKS CORRECTLY.
- KEEP YOUR FEET ON THE PEDALS. DO NOT RIDE WITH YOUR FEET DANGLING OVER THE SIDES AND ALWAYS STAY SEATED WHILE RIDING.
- **TWIST THROTTLE:** TRY TO TAKE IT EASY ON THE THROTTLE UNTIL YOU GET USED TO IT.
- **HANDBRAKES:** SQUEEZE EACH BRAKE SLOWLY TO AVOID STOPPING ABRUPTLY OR LOSING CONTROL.

Care & Maintenance

CLEANING THE J8

- Carefully wipe with a damp cloth, then dry with a dry cloth.
- Do not use water to clean the J8, as the electrical and electronic systems may get wet, resulting in personal injury or malfunction of the J8.

BATTERY

- Keep away from fire and excessive heat.
- Avoid intense physical impact and / or severe vibration.
- Protect from water or moisture.
- Do not disassemble.
- If there are any issues with the battery, please contact Jetson Customer Care. We'd love to help!

STORAGE

- Remove batteries before storing.
- Cover to protect against dust.
- Store indoors, in a dry place and at a suitable temperature.

CHAIN ADJUSTMENT

The chain must remain on the sprockets. If the chain comes off the sprockets, the coaster brake will not operate.

ADJUSTMENT:

- The chain must be at the correct tightness.
- If too tight, the bicycle will be difficult to pedal.
- If too loose, the chain can come off the sprockets.

When the chain (C) is at the correct tightness, you can rotate the crank freely and you can pull it no more than one-half inch (A) away from a straightedge (B) as shown.

Adjust the tightness of the chain as follows:

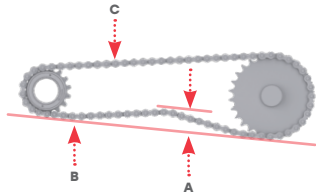
- Loosen the axle nuts of the rear wheel.
- Move the rear wheel forward or backward as necessary.

NOTE: Make sure the rear wheel is in the center of the bicycle frame.

- Hold the wheel in this position and tighten the axle nuts.

WARNING:

Do not attempt chain repairs. If there is a problem with the chain, have a bicycle service shop make any repairs.



Enjoying the ride?

Leave a review on ridejetson.com/reviews or share your photos with us online using the #RideJetson hashtag!



Follow us @ridejetson
#MakeMoves

JETSON

Questions? Let us know.

support.ridejetson.com

Hours of Operation:
7 Days a Week, 10am-6pm

Manufactured in Shenzhen, China
Imported by Jetson Electric Bikes LLC.
86 34th Street 4th Floor, Brooklyn, New York 11232

www.ridejetson.com



Made in China
Date Code: 07/2021