

# USER MANUAL

## Jackery Explorer 3000 Pro

**Contact us:**

hello@jackery.com  
1-888-502-2236(US)

Congratulations on your new Jackery Explorer 3000 Pro. Please read this manual carefully before using the product, particularly the relevant precautions to ensure proper use. Keep this manual in an accessible place for frequent reference.

In compliance with laws and regulations, the right of final interpretation of this document and all related documents of this product resides with the Company.

Please kindly notice that no further notifications will be given in case of any update, revision or termination.

## TECHNICAL SPECIFICATIONS

### GENERAL INFO

Product Name	Jackery Explorer 3000 Pro
Model No.	JE-3000A
Capacity	Lithium-ion 70Ah/ 43.2V DC(3024Wh)
Weight	About 63.93 lbs/ About 29 kg
Dimensions	18.6 x 14.1 x 14.7 in/ 47.3 x 35.94 x 37.36 cm
Cycle Life	2000 cycles to 70%+ capacity

### OUTPUT PORTS

4x AC Output	120V~ 60Hz 20A Max
1x AC Output	120V~ 60Hz 25A Max
Total AC Output	3000W Max, 6000W surge peak
2x USB-C Output	100W Max, 5V==3A, 9V==3A, 12V==3A, 15V==3A, 20V==5A
2x USB-A Output	Quick Charge 3.0, 18W Max, 5-6V==3A, 6-9V==2A, 9-12V==1.5A
Car Port	12V==10A Max

### INPUT PORTS

Charge mode AC input	120V~ 60Hz 15A Max
Bypass mode AC input/output	120V~ 60Hz 12A Max
DC Input	2x DC 8mm Ports: 11-17.5V (Working Voltage)==8A Max, Double to 8A Max; 17.5-60V (Working Voltage)==12A, Double to 24A/1400W Max

### ENVIRONMENTAL OPERATING TEMPERATURE

Charge Temperature	0~40 °C (32~104 °F)
Discharge Temperature	-20~40 °C (-4~104 °F) -20~-10 °C(-4~14 °F) Output Power=3000W (Remaining Power≥60%) Output Power < 3000W (Remaining Power < 60%)

### CERTIFICATIONS



Qualcomm  
quick charge 3.0



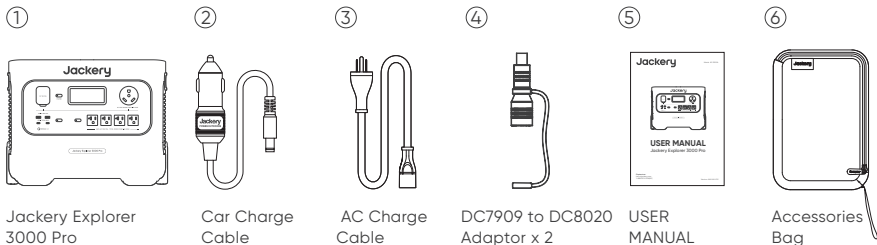
※ USB Type-C® and USB-C® are registered trademarks of USB Implementers Forum.

※ Qualcomm Quick Charge is a product of Qualcomm Technologies, Inc. and/or its subsidiaries.

Qualcomm and Quick Charge are trademarks or registered trademarks of Qualcomm Incorporated.

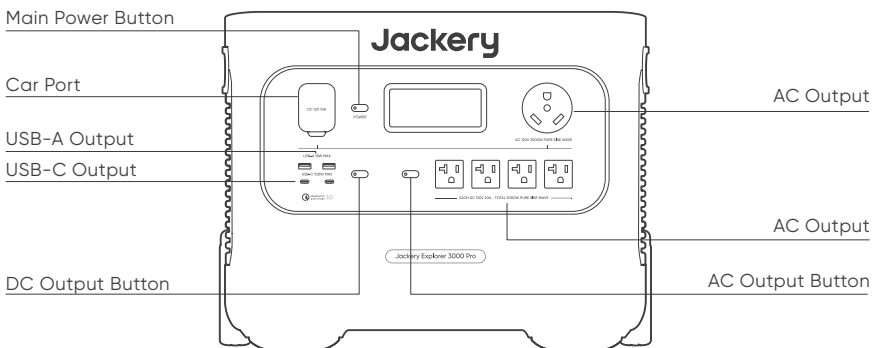
**MODIFICATION:** Any changes or modifications not expressly approved by the grantee of this device could void the user's authority to operate the device.

## PACKAGE LIST



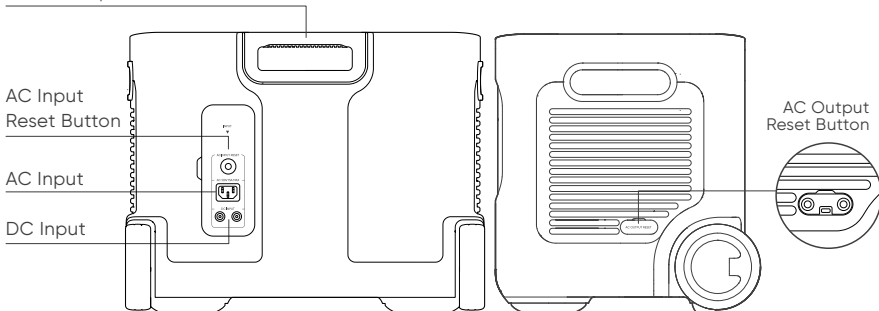
## GET TO KNOW YOUR GEAR

### Product Appearance

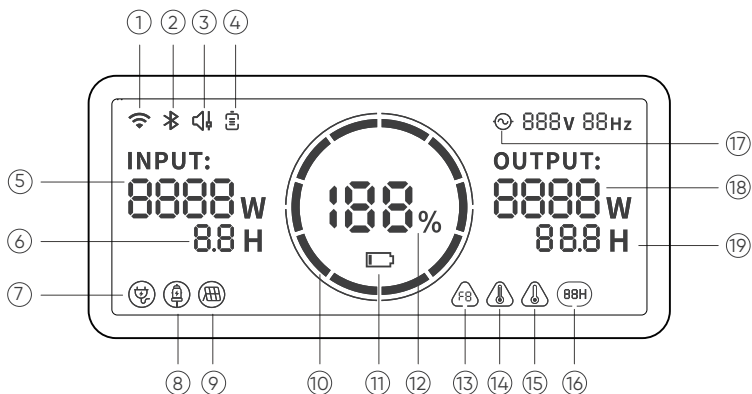


### Retractable Handle

(Press the button on the retractable handle and pull to extend)



# LCD DISPLAY



- ① WiFi
  - ② Bluetooth
  - ③ Quiet Charging Mode
  - ④ Battery Saving Mode
  - ⑤ Input Power
  - ⑥ Remaining Charge Time
  - ⑦ AC Wall Charging Indicator
  - ⑧ Car Charging Indicator
  - ⑨ Solar Charging Indicator
  - ⑩ Battery Power Indicator
  - ⑪ Low Battery Indicator
  - ⑫ Remaining Battery Percentage
  - ⑬ Error Code
  - ⑭ High Temperature Warning
  - ⑮ Low Temperature Warning
  - ⑯ Energy Saving Mode
  - ⑰ AC Power Indicator
  - ⑱ Output Power
- ⑲ Remaining Discharge Time

**Battery Saving Mode:** When this feature is enabled, it limits the battery charging capacity to 85% and the discharging capacity to 15%, and the battery will only be charged when the capacity is below 80% to extend the battery life. Use the Jackery App for settings of this function.

**Quiet Charging Mode:** noise  $\leq$  30dB in this charging mode, you can set this function in Jackery App.



## Battery Power Indicator

When the product is being charged, the orange circle around the battery percentage will light up in sequence. When charging other devices, the orange circle will stay on.



## Low Battery Indicator

When the battery is less than 20%, the Low Battery Indicator will stay on. When less than 5%, the Low Battery Indicator will flash. When it is being charged, the Indicator will be off.



## Energy Saving Mode

To avoid forgetting to turn off the output which results in battery consumption, the product turns the Energy Saving Mode on by default. This occurs when no device is connected or the connected device is less than or equal to a certain value. (Refer to the table below for more details), the device will automatically turn off all outputs after 12 hours.

Output	Output Power	Defaults
AC Output	$\leq$ 25W	The device will automatically shut down after 12 hours
USB Output	$\leq$ 2W	The device will automatically shut down after 12 hours
Car Output	$\leq$ 2W	The device will automatically shut down after 12 hours

### To turn off the Energy Saving Mode

Long press the AC Button and Main Power Button until the Energy Saving Mode icon disappears. In Non-Energy Saving Mode, please remember to turn off the products to avoid battery consumption.

### To turn on the Energy Saving Mode

Long press the AC Button and Main Power Button until the Low Power Mode icon lights up on the screen.

### Fault code

In order to quickly solve the user's feedback, we set up common fault codes F0-F9 in the system: if you find any fault code of F0、F1、F2、F3、F4、F5、F6、F7、F8、F9 on the display screen, please contact us for after-sales treatment; If F6 code appears, please remove the load or unplug the charging plug, the product can restore by itself, if not, please contact after-sales treatment; If F9 fault code appears, please remove the load and the product can recover by itself, if not, please contact after-sales service.



### High-temperature warning


If it appears on the screen, do not worry, the battery will restore automatically after cooling.



### Low-temperature Warning

If it is displayed on the screen, do not worry. It will automatically restore after the ambient temperature is restored.



**Low Temperature Mode:** This product can be used in low temperature environment of  $-20 \sim -10^{\circ}\text{C}$ . The blinking of the  icon on the screen indicates that the device is in low temperature mode. The maximum discharge power in low temperature mode is 3000W when the remaining power is  $\geq 60\%$ , 2000W when the remaining power is  $30\% \sim 60\%$ , and 800W when the power is  $< 30\%$ .

## BASIC OPERATIONS

### Power On/Off

**Main power on/off:** Press the "Main Power Button" and the working indicator lights up and the LCD display is illuminated. When this product does not have any operation for 2 minutes, the product will enter the hibernation state and the display will turn off automatically. If you need to turn off the main power, please press and hold the "Main Power Button" until the working indicator turns off. The default standby time of this product is 2 hours. If the other power output switch is not turned on, and the product does not have any load input, the product will automatically shut down after 2 hours. The automatic shutdown time can be set on the Jackery App.

**AC Output On/Off:** Ensure that the main power supply is turned on. Press the AC Button, the AC Output operation indicator lights up. Then you can connect the equipment that needs AC charging. Press the AC Button again to turn off the AC Output.

**USB/Car Port Output On/Off:** Ensure that the main power supply is turned on. Press the DC Button, the DC Output operation indicator lights up. Then USB/Car Port Output Ports can be connected to external load devices. Press the DC Button again to turn off the USB/ Car Port Output.

### LCD Screen On/Off

Press the "Main Power Button" and the working indicator lights up and the LCD display is illuminated. When this product does not have any operation for 2 minutes, the product will enter the hibernation state and the display will turn off automatically. If you want the LCD display to be always on when charging or discharging, you can press the "Main Power Button" twice after the display is on, and the display will enter the Steady On mode. To turn off Steady On mode of the LCD display: press the "Main Power Button" and the LCD display will be turned off.

Note: In the Steady On mode, if the device is not charging or connected to a load, the display will automatically turn off after 2 hours.

**AC Output Reset Button:** When the Reset Button pops up, you need to remove the load and press the Reset Button to reset.

**AC Input Reset Button:** When the Reset Button pops up, you need to remove AC charge cable and press the Reset Button to reset.

**EPS:** Emergency Power System. Once you have connected the mains and the AC input port of the EPS via the AC charger cable, you can use the AC output port of the EPS to power your unit (at this point the AC power comes from the mains, not the EPS battery). In the event of a sudden loss of mains power, the EPS can automatically switch to battery mode within 20ms. Since this is a non-professional UPS function, it does not support 0ms switching. Do not connect to equipment with high uninterruptible power requirements such as data servers and workstations. Please test several times to confirm compatibility before use and it is recommended to connect to only one device. Do not use more than one unit at a time to avoid triggering the overload protection. Failure to follow these instructions may result in equipment failure or loss of data for which we cannot be held responsible.

## APP CONNECTION

This product supports the connection of Jackery App for intelligent control and operation. Users can download the Jackery App through App Store or Android application markets. Please refer to the User Manual for Jackery App for detailed connection instructions.

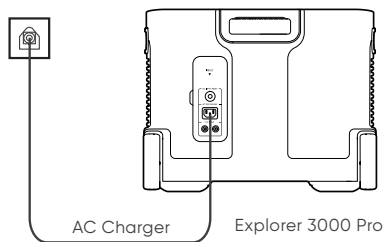
## CHARGING YOUR JACKERY EXPLORER 3000 PRO

Green energy first: We advocate to use the green energy first. This product supports two modes of charging at the same time: solar charging and AC wall charging.

When AC wall charging and solar charging are turned on at the same time, the product will give priority to solar charging and both methods will be used to charge the battery at the maximum permissible power.

### CHARGING FROM THE WALL

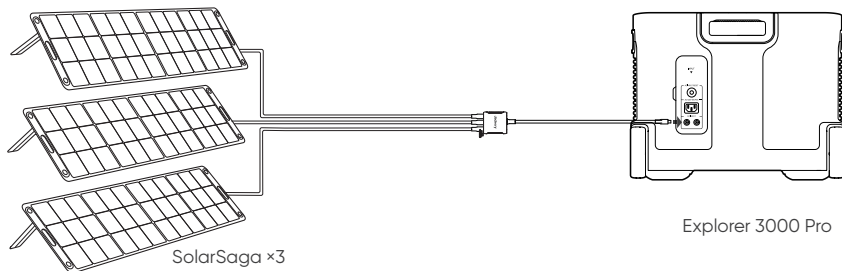
Please use the AC cable included in the package.

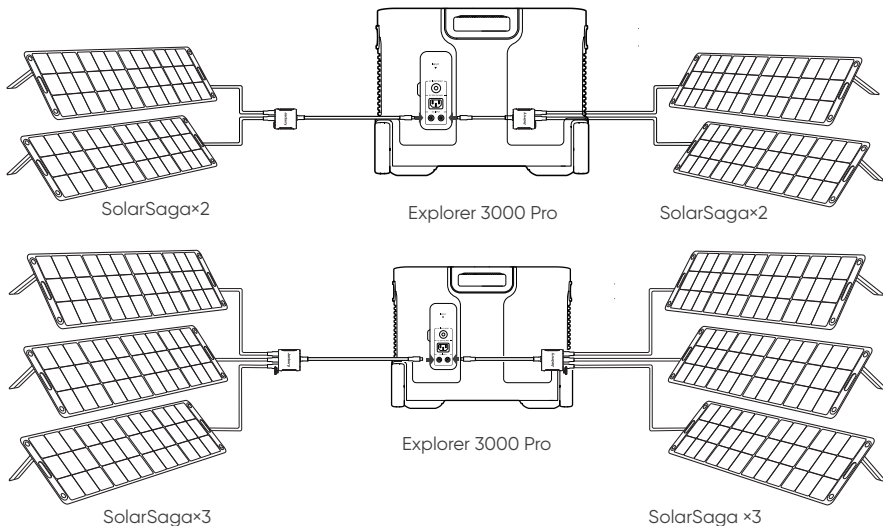


### SOLAR ENERGY CHARGING

#### Jackery SolarSaga 200 or 100 or 60 Solar Panel Connection Guide

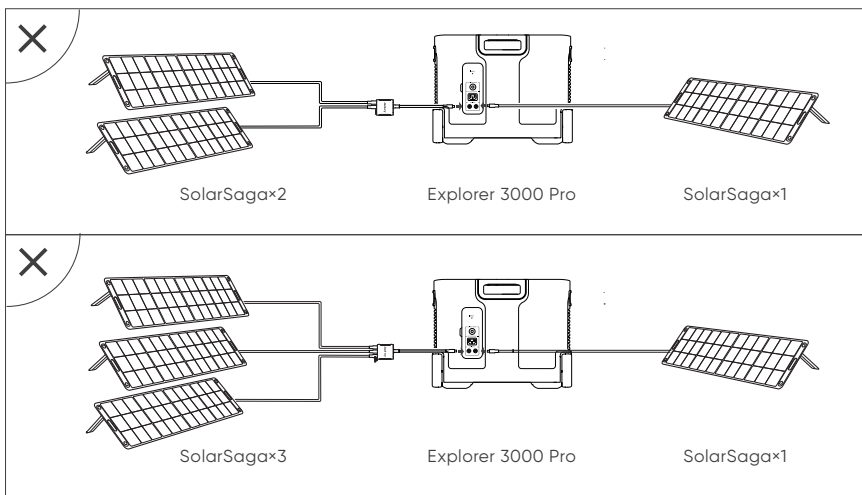
If one or two solar panels are connected, you can directly connect the DC8020 port of the solar panel to the DC8020 port of Jackery Explorer 3000 Pro for charging. If three or four solar panels are connected, please refer to the method shown in the following figure to charge through the solar series connector (Note: The solar series connector is not in standard configuration, so you need to purchase it separately. Please refer to the detailed operation instructions of the solar series connector before using it.)

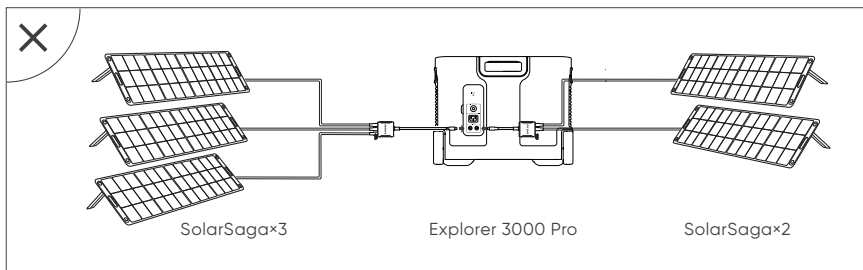




Caution: When the two inputs are used at the same time, please make sure to use the same type of solar panel and the number of solar panels in the two inputs must be the same to avoid damage or charging problems of the equipment due to inconsistent voltages of the two channels.

The following way of connections are prohibited to charge this product:

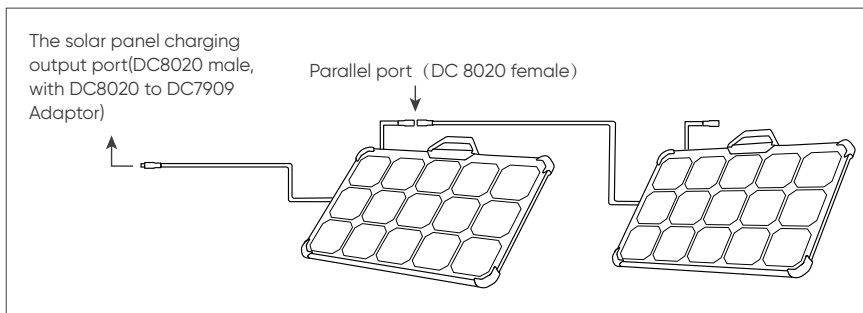




## Jackery SolarSaga 80 Solar Panel Connection Guide

Users who have purchased Jackery SolarSaga 80 can charge the product by referring to the connection mode shown below. The Jackery SolarSaga 80 supports the parallel connection or the parallel and then series connections to charge the product. The single input port of the Jackery Explorer 3000 Pro supports the input of up to six pieces of SolarSaga 80 solar panels, and two input ports support the input to up to 12 pieces of SolarSaga 80 solar panels. (When the power is connected with six solar panels in a single input port, the solar panels shall be divided into two groups, and each group of three solar panels shall be self-connected in parallel and then connected to Jackery Explorer 3000 Pro through the solar series connector. The solar series connector needs to be purchased separately.)

For detailed operation instructions on the self-parallel connection of the Jackery SolarSaga 80 solar panel, please refer to the user manual.

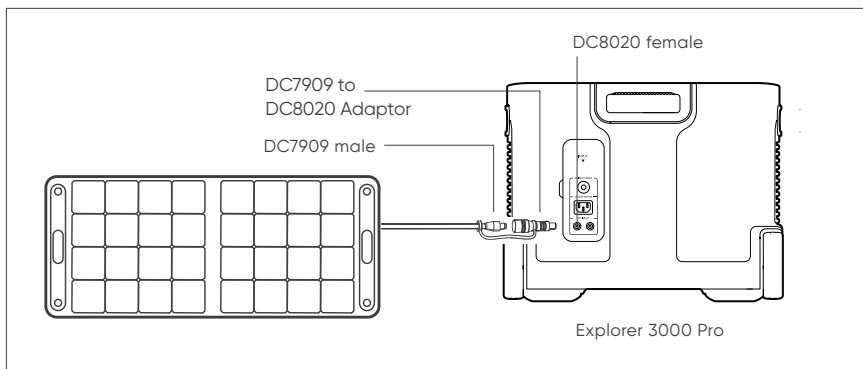


Warm Tip: Users can enter the number of solar panels in their own combination according to the number of solar panels they purchased. Currently, the product supports charging with 1, 2, 3, 4, 5, 6, 8, and 12 80W solar panels in combination.

## DC7909 to DC8020 Adaptor Operation Guide

All of our solar panels on sale have been upgraded to include a DC7909 to DC8020 adaptor. If you have purchased a Jackery solar panel without a DC7909 to DC8020 adaptor, you can charge your Jackery Explorer 3000 Pro by following the connection instructions below.

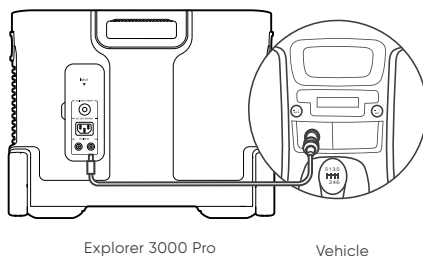




## CHARGING IN THE CAR

This product can be charged with a 12V car charger. Please start the vehicle before charging to prevent draining the car battery and prevent your vehicle from being unable to start.

Meanwhile, please ensure that the car charger and the car cigarette lighter provide a good connection, and ensure that the car charger is fully inserted. In addition, if the vehicle is running on bumpy roads, it is forbidden to use the car charger in case it burns due to a poor connection. The Company will not be responsible for any loss caused by non-standard operation.



## Safety Precautions When Charging

- 1) Vehicle charging is only applicable in 12V vehicles, not in 24V ones. Please do not charge this product in 24V vehicle to avoid personal injury and property loss.
- 2) It is recommended to use Jackery accessories - solar panels for solar charging. We will not be responsible for the losses caused by using other brands' solar panels.

## SAFETY PRECAUTIONS WHEN USING

The basic safety precautions should be followed when using this product, including:

- a. Please read all instructions before using this product.
- b. Close supervision is required when using this product near children to reduce the risk.
- c. Risk of electric shock may occur if using accessories recommended or sold by non-professional product manufacturers.
- d. When the product is not in use, please unplug the power plug from the product's socket.
- e. Do not dismantle the product, which may lead to unpredictable risks such as fire, explosion or electric shock.
- f. Do not use the product through damaged cords or plugs, or damaged output cables, which may cause electric shock.
- g. Charge the product in a well ventilated area and do not restrict ventilation in any way.
- h. Please put the product in a ventilated and dry place to avoid rain and water to cause electric shock.
- i. Do not expose the product to fire or high temperature (under direct sunlight or in vehicle under high heat), which may cause accidents such as fire and explosion.
- j. When using the retractable handle to move the Jackery Explorer 3000 Pro, please do not stack or place other objects on top of it to prevent falling off and causing injury.

# INSTRUCTIONS PERTAINING TO RISK OF FIRE, ELECTRIC SHOCK, OR INJURY TO PERSONS

## IMPORTANT SAFETY INSTRUCTIONS

WARNING—When using this product, basic precautions should always be followed, including the following:

- a) Read all the instructions before using the product.
- b) To reduce the risk of injury, close supervision is necessary when the product is used near children.
- c) Do not put fingers or hands into the product.
- d) Use of an attachment not recommended or sold by power pack manufacturer may result in a risk of fire, electric shock, or injury to persons.
- e) To reduce risk of damage to the electric plug and cord, pull the plug rather than the cord when disconnecting the power pack.
- f) Do not use a battery pack or appliance that is damaged or modified. Damaged or modified batteries may exhibit unpredictable behavior resulting in fire, explosion or risk of injury.
- g) Do not operate the power pack with a damaged cord or plug, or a damaged output cable.
- h) Do not disassemble the power pack, take it to a qualified service person when service or repair is required. Incorrect reassembly may result in a risk of fire or electric shock.
- i) To reduce the risk of electric shock, unplug the power pack from the outlet before attempting any instructed servicing.

### j) PERSONAL PRECAUTIONS

- 1) Have plenty of fresh water and soap nearby in case battery acid contacts skin, clothing, or eyes.
  - 2) Wear complete eye protection and clothing protection. Avoid touching eyes while working near battery.
  - 3) If battery acid contacts skin or clothing, wash immediately with soap and water. If acid enters eye, immediately flood eye with running cold water for at least 10 minutes and get medical attention immediately.
  - 4) NEVER smoke or allow a spark or flame in vicinity of battery or engine.
  - 5) Be extra cautious to reduce risk of dropping a metal tool onto battery. It might spark or short-circuit battery or other electrical part that may cause explosion.
- k) When charging the internal battery, work in a well ventilated area and do not restrict ventilation in any way.
- l) Under abusive conditions, liquid may be ejected from the battery; avoid contact. If contact accidentally occurs, flush with water. If liquid contacts eyes, additionally seek medical help. Liquid ejected from the battery may cause irritation or burns.
- m) Do not expose a power pack to fire or excessive temperature. Exposure to fire or temperature above 130°C may cause explosion. The temperature of 130°C can be replaced by the temperature of 265°F.
- n) Have servicing performed by a qualified repair person using only identical replacement parts. This will ensure that the safety of the product is maintained.

## SAVE THESE INSTRUCTIONS OPERATING INSTRUCTIONS

- Use and store the unit only in a clean and dry environment. DO NOT use and store in dusty and wet environment.
- Check the unit prior to every use. DO NOT use the unit if it is damaged, broken.
- If rust, peculiar odors, overheating or other abnormal circumstances are observed, stop using the unit immediately and contact the dealer or our customer service center.
- Make sure that the unit is properly secured when transporting it in a motor vehicle.
- Only charge the E3000 Pro within a ambient temperature 0-40°C (32-104°F), discharge temperature is -20-40°C (-4~104°F) and Storage temperature is 1 year: -20~25°C (-4~77°F).
- Switch the unit off immediately if it has accidentally fallen, was dropped or was exposed to vibrations.
- DO NOT use the unit if the power cord is damaged or broken.
- Keep the unit away from children. DO NOT let children use the power supply unit. Keep this product away from pets.
- DO NOT use the unit in an area or environment with high temperature.
- Should fluid from inside of the unit come in contact with your skin or clothing, wash the affected areas with tap water.
- In a storm, unplug the power cord from the socket.
- DO NOT place the unit on its side or upside down while in use or storage.
- DO NOT use accessories for other usage.

- Make sure that the device you are connecting is switched off before you connect it.
- DO NOT expose a power pack to fire or excessive temperature. Exposure to fire or temperature above 130°C may cause explosion.
- Solar charge times depend on weather conditions, place your solar panel where it will get as much direct sunlight as possible.
- DO NOT place the power pack on the floor, or at a height less than 457 mm (18 inches) above the floor, during use in a repair facility.

**Warning:** Do not remove the battery pack without permission, if you need to repair the battery pack, contact your local manufacturer as soon as possible

**DANGER:** This device is for indoor use only (e.g. RV/tent/off-grid cabin, etc.). Do not use outdoors under any circumstances (e.g. where exposed to rain or snow or use it in wet places by the sea or waterways).

### Charging instruction

1. The product supports any 1 way or 2 way charging .
2. Charge the Portable Power Station with charger; the LCD will turn on and display Input power
3. Display will show 100% capacity when fully charged .

### Discharging instruction

1. Press the AC button, AC output will be turn on; and press the button again, the AC output will turn off , while the AC LED will turn off within 1~2seconds.
2. Press the any 1or 2 way DC(USB or 12V) button, output will be turn on; and press the button again, the DC output will turn off , while the DC LED will turn off within 1~2seconds.
3. If DC or AC output is on LCD will display "OUPUT" icon and output power unless all DC output is off

### MOVING AND STORAGE INSTRUCTIONS

- DO NOT move the unit if it is recharging or in use.
- DO NOT dispose the unit together with household waste.
- DO NOT place the unit close to or in a fire or expose it to heat. Keep out of direct sunlight.
- DO NOT store the unit in a bathroom or in an area exposed to rain or moisture.
- DO NOT disassemble the power pack, take it to a qualified service person when service or repair is required. Incorrect reassembly may result in a risk of fire or electric shock.
- DO NOT store the unit in an area or environment with high temperature.

### USER MAINTENANCE INSTRUCTIONS

Before using or storing, plug your Jackery Explorer into the wall until it is fully charged. If you see the LCD battery is low at any point, plug it into a power source, like an AC outlet or a solar panel as soon as possible.



NOTE: This equipment has been tested and found to comply with the limits for a Class B digital device, pursuant to part 15 of the FCC Rules. These limits are designed to provide reasonable protection against harmful interference in a residential installation. This equipment generates, uses and can radiate radio frequency energy and, if not installed and used in accordance with the instructions, may cause harmful interference to radio communications. However, there is no guarantee that interference will not occur in a particular installation. If this equipment does cause harmful interference to radio or television reception, which can be determined by turning the equipment off and on, the user is encouraged to try to correct the interference by one or more of the following measures:

- Reorient or relocate the receiving antenna.
- Increase the separation between the equipment and receiver.
- Connect the equipment into an outlet on a circuit different from that to which the receiver is connected.
- Consult the dealer or an experienced radio/TV technician for help.

# WARRANTY

Note: We only provide our warranty for the buyer who purchased on Amazon (Jackery Inc), Jackery website or local authorized dealers.

## Limited Warranty

Jackery Inc. warrants to the original consumer purchaser that the Jackery product will be free from defects in workmanship and material under normal consumer use during the applicable warranty period identified in the 'Warranty Period' section below, subject to the exclusions set forth below.

This warranty statement sets forth Jackery's total and exclusive warranty obligation. We will not assume, nor authorize any person to assume for us, any other liability in connection with the sale of our products.

## Warranty Period

**3 Years Standard Warranty:** The standard warranty period for Jackery Explorer 3000 Pro is 36 months. In each case, the warranty period is measured starting on the date of purchase by the original consumer purchaser. The sales receipt from the first consumer purchase, or other reasonable documentary proof, is required in order to establish the start date of the warranty period.

**2 Years Extended Warranty:** To activate the Warranty Extension, you must register your product online or contact our customer service team at [hello@jackery.com](mailto:hello@jackery.com) to extend the standard warranty runtime.

## Exchange

Jackery will replace (at Jackery's expense) any Jackery product that fails to operate during the applicable warranty period due to defect in workmanship or material. A replacement product assumes the remaining warranty of the original product.

## Limited to Original Consumer Buyer

The warranty on Jackery's product is limited to the original consumer purchaser and is not transferable to any subsequent owner.

## Exclusions

Jackery's warranty does not apply to:

Misused, abused, modified, damaged by accident, or used for anything other than normal consumer use as authorized in Jackery's current product literature.

Attempted repair by anyone other than an authorized facility.

Any product purchased through an online auction house.

Jackery's warranty does not apply to the battery cell unless the battery cell is fully charged by you within seven days after you purchase the product and at least once every 6 months thereafter.

Download the Jackery Mobile App



Enhorabuena por su nuevo Jackery Explorer 3000 Pro. Lea atentamente este manual antes de utilizar el producto, especialmente las precauciones pertinentes para garantizar su uso adecuado. Guarde este manual en un lugar accesible para consultarlo con frecuencia.

De conformidad con las leyes y reglamentos, la compañía se reserva el derecho a dar una interpretación final de este y todos los documentos relacionados con este producto.

Por favor, tenga en cuenta que no se darán más notificaciones en caso de cualquier actualización, revisión o terminación.

## ESPECIFICACIONES TÉCNICAS

### INFORMACIÓN GENERAL

Nombre del producto	Jackery Explorer 3000 Pro
Nº de modelo	JE-3000A
Capacidad	ión-litio 70 Ah/ 43,2 V CC(3024Wh)
Peso	Alrededor de 63,93 libras/ Alrededor de 29 kg
Dimensiones	18,6 x 14,1 x 14,7 in/ 47,3 x 35,94 x 37,36 cm
Ciclo de vida	2000 ciclos de carga hasta 70 % + de capacidad

### PUERTOS DE SALIDA

4 salidas de CA	120V~ 60Hz 20A Máx
1 salida de CA	120V~ 60Hz 25A Máx
Salida total de CA	3000W Máx, 6000W pico de sobretensión
2 salidas USB-C	100W Máx, 5V=3A, 9V=3A, 12V=3A, 15V=3A, 20V=5A
2 salidas USB-A	Carga rápida 3,0, 18W Máx, 5-6V=3A, 6-9V=2A, 9-12V=1,5A
Puerto para el coche	12V=10A Máx

### PUERTOS DE ENTRADA

Modo de carga entrada CA	120V~ 60Hz 15A Máx
Modo bypass Entrada/salida CA	120V~ 60Hz 12A Máx
Entrada de CC	2x DC 8mm Puertos: 11-17,5V (Voltaje de trabajo)=8A Máx, Doble a 8A Máx; 17,5-60V (tensión de trabajo)=12A, doble a 24A/1400W Máx

### TEMPERATURA DE FUNCIONAMIENTO

Temperatura de carga	0~40 °C (32~104 °F)
Temperatura de descarga	-20~40 °C (-4~104 °F) -20~-10 °C(-4~14 °F)
	Potencia de salida=3000W (Potencia restante≥60%)
	Potencia de salida<3000W (Potencia restante<60%)

### CERTIFICACIONES



Qualcomm  
quick charge 3.0



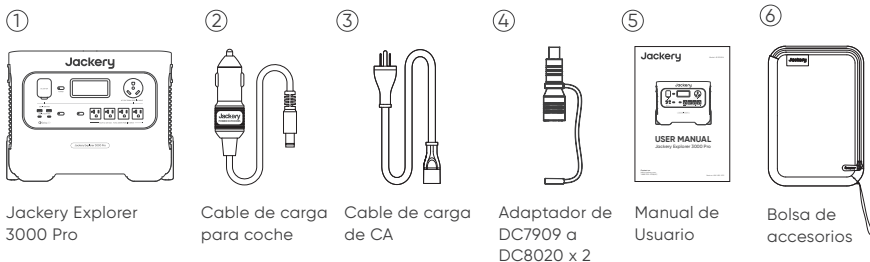
※ USB Type-C® y USB-C® son marcas registradas de USB Implementers Forum.

※ Qualcomm Quick Charge es un producto de Qualcomm Technologies, Inc. y/o sus filiales.

Qualcomm y Quick Charge son marcas comerciales o registradas de Qualcomm Incorporated.

**MODIFICACIÓN:** Cualquier cambio o modificación no aprobado expresamente por el cesionario de este dispositivo podría anular la autoridad del usuario para utilizar el dispositivo.

## LISTA DE PAQUETE



## CONOZCA SU EQUIPO

### Aspecto del producto

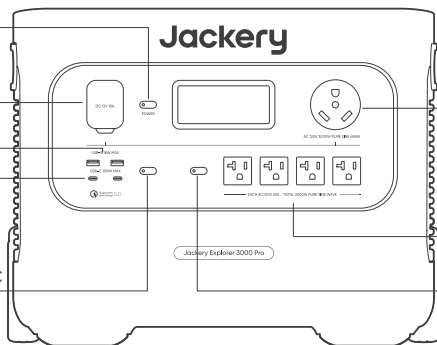
Botón principal de encendido

Puerto para el coche

Salida USB-A

Salida USB-C

Botón de salida de CC



Salida de CA

Salida de CA

Botón de salida de CA

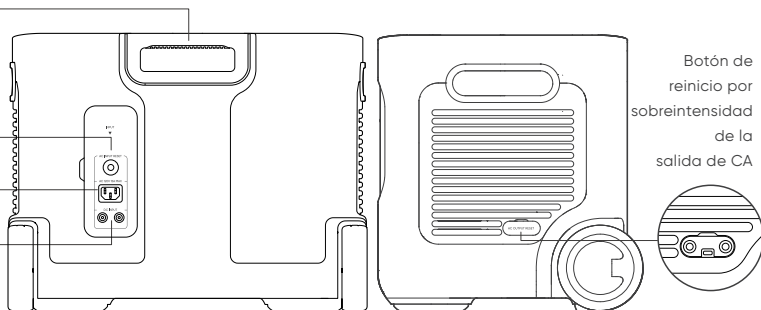
Asa retráctil

(pulse el botón del asa retráctil y tire de ella para extenderla)

Botón de reinicio de la entrada de CA

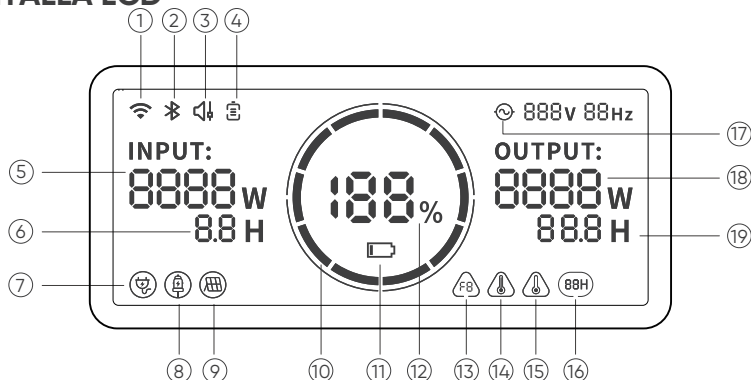
Entrada CA

Entrada de CC



Botón de reinicio por sobretensión de la salida de CA

# PANTALLA LCD



- ① WiFi
- ② Bluetooth
- ③ Modo de carga silenciosa
- ④ Modo de ahorro de batería
- ⑤ Potencia de entrada
- ⑥ Tiempo de carga restante
- ⑦ Indicador de carga de pared de CA
- ⑧ Indicador de carga del coche
- ⑨ Indicador de carga solar
- ⑩ Indicador de alimentación de la batería
- ⑪ Indicador de batería baja
- ⑫ Porcentaje restante de batería
- ⑬ Código de Error
- ⑭ Aviso de alta temperatura
- ⑮ Aviso de baja temperatura
- ⑯ Modo de ahorro de energía
- ⑰ Indicador de alimentación de CA
- ⑱ Potencia de salida
- ⑲ Tiempo de descarga restante

**Modo de ahorro de batería:** Cuando esta función está activada, limita la capacidad de carga de la batería al 85% y la capacidad de descarga al 15%, y la batería solo se cargará cuando la capacidad esté por debajo del 80% para prolongar la vida útil de la batería. Utiliza la aplicación de Jackery para configurar esta función.

**Modo de carga silenciosa:** ruido  $\leq 30$ dB en este modo de carga. Puedes configurar esta función en la aplicación de Jackery.



## Indicador de alimentación de la batería

Cuando el producto se está cargando, el círculo naranja que rodea el porcentaje de la batería se encenderá en secuencia. Al cargar otros dispositivos, el círculo naranja permanecerá encendido.



## Indicador de batería baja

Cuando la batería es inferior al 20%, el Indicador de batería baja permanecerá encendido. Cuando sea inferior al 5%, el Indicador de batería baja parpadeará. Cuando se está cargando, el Indicador estará apagado.



## Modo de ahorro de energía

Para evitar que se olvide de apagarlo, con el consiguiente consumo de batería, el producto activa por defecto el modo de ahorro de energía. Esto ocurre cuando no hay ningún dispositivo conectado o el dispositivo conectado es inferior o igual a un determinado valor. (Consulte la tabla siguiente para obtener más detalles). El dispositivo apagará automáticamente todas las salidas después de 12 horas.

Salida	Potencia de salida	Valores por defecto
Salida de CA	$\leq 25$ W	El dispositivo se apagará automáticamente después de 12 horas
Salida USB	$\leq 2$ W	El dispositivo se apagará automáticamente después de 12 horas
Salida del coche	$\leq 2$ W	El dispositivo se apagará automáticamente después de 12 horas

## Para desactivar el modo de ahorro de energía

Mantenga pulsado el botón CA y el botón de encendido principal hasta que desaparezca el icono del modo de ahorro de energía. En el modo normal (sin ahorro de energía), recuerde apagar los productos para evitar el consumo de la batería.

## Para activar el modo de ahorro de energía

Mantenga pulsado el botón CA y el botón de encendido principal hasta que el icono del modo de bajo consumo se ilumine en la pantalla.

## Código de error



Con el fin de resolver rápidamente la retroalimentación del usuario, establecimos códigos de avería comunes F0-F9 en el sistema. Si encuentra algún código de fallo de F0, F1, F2, F3, F4, F5, F6, F7, F8, F9 en la pantalla de visualización, póngase en contacto con nosotros para el tratamiento posventa. Si aparece el código F6, retire la carga o desconecte el enchufe de carga para que el producto pueda restaurarse por sí mismo. En caso contrario, póngase en contacto con el tratamiento posventa. Si aparece el código de fallo F9, retire la carga para que el producto pueda recuperarse por sí mismo. En caso contrario, póngase en contacto con el servicio posventa.




## Aviso de alta temperatura

Si aparece en la pantalla, no se preocupe, la batería se restablecerá automáticamente después de enfriarse.



## Aviso de baja temperatura

Si aparece en la pantalla, no se preocupe. Se restablecerá automáticamente una vez restablecida la temperatura ambiente.

**Modo de baja temperatura:** Este producto puede utilizarse en un entorno de baja temperatura entre los -20 y los -10°C. El parpadeo del icono  en la pantalla indica que el dispositivo está en modo de baja temperatura. La potencia máxima de descarga en modo de baja temperatura es de 3000W cuando la potencia restante es  $\geq 60\%$ , 2000W cuando la potencia restante es  $30\% \sim 60\%$ , y 800W cuando la potencia es  $< 30\%$ .

# OPERACIONES BÁSICAS

## Encendido/Apagado

Salida activada/desactivada: Encendido/apagado de la alimentación principal: Pulse el "Botón de encendido principal" y se encenderá el indicador de funcionamiento y se iluminará la pantalla LCD. Si el producto no se utiliza en un periodo de 2 minutos, entrará en estado de hibernación y la pantalla se apagará automáticamente. Si necesita apagar la alimentación principal, mantenga pulsado el "Botón de alimentación principal" hasta que se apague el indicador de funcionamiento. El tiempo de espera predeterminado de este producto es de 2 horas. Si el otro interruptor de salida de alimentación no está encendido, y el producto no tiene ninguna entrada de carga, el producto se apagará automáticamente después de 2 horas. El tiempo de apagado automático se puede configurar en la aplicación de Jackery.

Encendido/Apagado de la salida de CA: Asegúrese de que la fuente de alimentación principal está encendida. Pulse el botón CA y se encenderá el indicador de funcionamiento de la salida CA. A continuación, puede conectar el equipo que necesite carga de CA. Pulse de nuevo el botón CA para apagar la salida CA.

Salida USB/puerto de coche encendido/apagado: Asegúrese de que la fuente de alimentación principal está encendida. Pulse el botón CC para encender el indicador de funcionamiento de la salida CC. A continuación, los puertos de salida USB/puerto de coche pueden conectarse a dispositivos de carga externos. Vuelva a pulsar el botón CC para apagar la salida USB/puerto de coche.

## Encendido/Apagado de la pantalla LCD

Pulse el "Botón de encendido principal" y se encenderá el indicador de funcionamiento y se iluminará la pantalla LCD. Si el producto no se utiliza en un periodo de 2 minutos, entrará en estado de hibernación y la pantalla se apagará automáticamente. Si desea que la pantalla LCD esté siempre encendida durante la carga o descarga, puede pulsar el "botón de encendido principal" dos veces después de que la pantalla esté encendida y la pantalla entrará en el modo Steady On. Para desactivar el modo Steady On de la pantalla LCD, pulse el "botón principal de encendido" y la pantalla LCD se apagará.

Nota: Si el aparato no se está cargando o no está conectado a una carga durante el modo Steady On, la pantalla se apagará automáticamente al cabo de 2 horas.



**Botón de reinicio por sobrecorriente de la salida de CA:** Cuando están protegidos contra la sobrecorriente, aparece el botón de reinicio. En ese caso, es necesario quitar la carga y pulsar el botón de reinicio por sobrecorriente para restablecer.

**Botón de reinicio de la entrada de CA:** Cuando están protegidos contra la sobrecorriente, aparece el botón de reinicio. En ese caso, es necesario quitar Cable de carga de CA y pulsar el botón de reinicio por sobrecorriente para restablecer.

**SAE:** Sistema de alimentación de emergencia. Una vez que haya conectado la red eléctrica y el puerto de entrada de CA de la SAE mediante el cable cargador de CA, podrá utilizar el puerto de salida de CA de la SAE para alimentar la unidad (en este punto, la alimentación de CA procede de la red eléctrica, no de la batería de la SAE). En caso de pérdida repentina de la alimentación de red, el SAE puede pasar automáticamente al modo batería en 20 ms. Dado que se trata de una función no profesional del SAI, no admite la conmutación de 0 ms. No lo conecte a equipos con elevados requisitos de alimentación ininterrumpida, como servidores de datos y estaciones de trabajo. Por favor, pruebe varias veces para confirmar la compatibilidad antes de usar. Además, se recomienda conectar a un solo dispositivo. No utilice más de una unidad a la vez para evitar que se active la protección contra sobrecargas. El incumplimiento de estas instrucciones puede provocar fallos en el equipo o pérdidas de datos de las que no nos hacemos responsables.

## CONEXIÓN CON LA APLICACIÓN

Este producto admite la conexión con la aplicación de Jackery para un control y funcionamiento inteligentes. Los usuarios pueden descargar la aplicación de Jackery a través de App Store o de las tiendas de aplicaciones Android. Consulte el manual de usuario de la aplicación de Jackery para obtener instrucciones detalladas sobre la conexión.

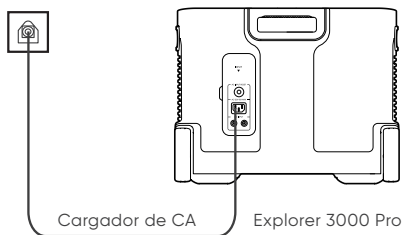
## CARGA TU JACKERY EXPLORER 3000 Pro

Energía renovable primero: abogamos por utilizar primero energía renovable. Este producto admite dos modos de carga al mismo tiempo: carga solar y carga de pared de CA.

Cuando la carga en la pared de CA y la carga solar están activadas al mismo tiempo, el producto dará prioridad a la carga solar y se utilizarán ambos métodos para cargar la batería a la máxima potencia permitida.

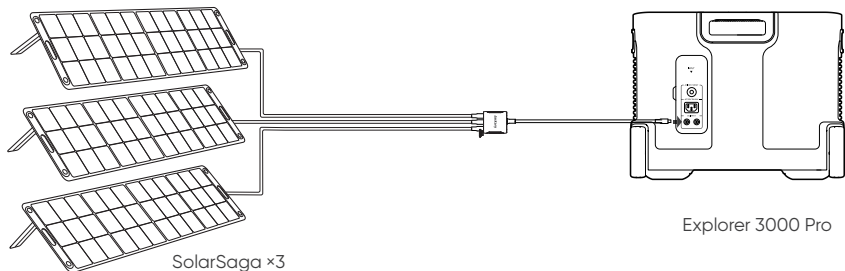
### CARGA DESDE LA PARED

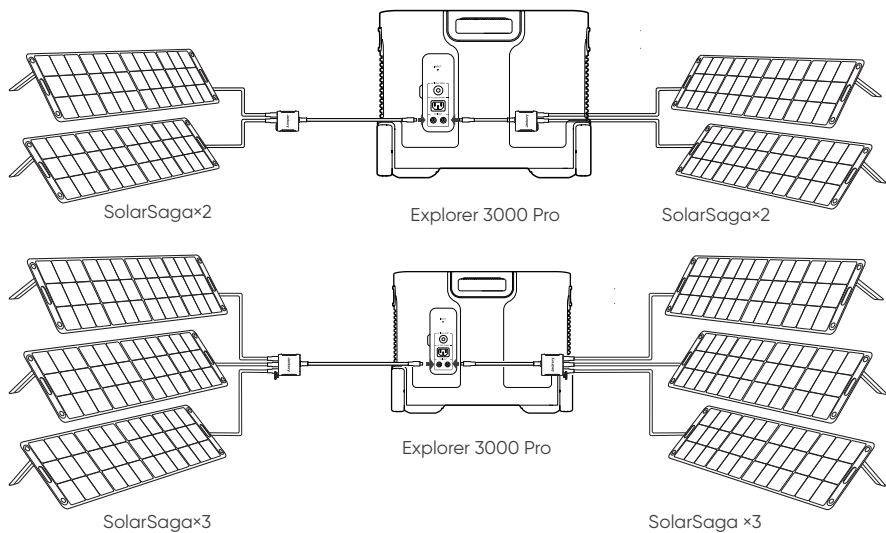
Use el cable CA incluido en el paquete por favor.



### CARGA DE ENERGÍA SOLAR

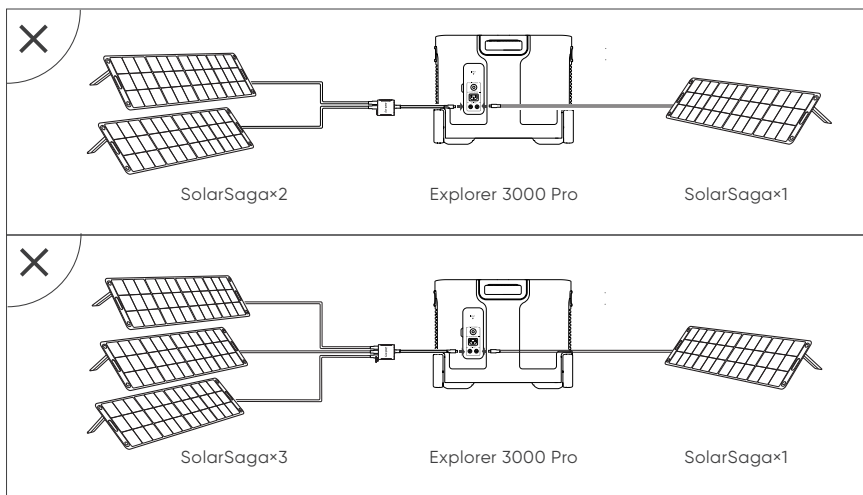
Guía de conexión de paneles solares Jackery SolarSaga 200, SolarSaga 100 o SolarSaga 60. Si uno o dos paneles solares están conectados, puede conectar directamente el puerto DC8020 del panel solar al puerto DC8020 de Jackery Explorer 3000 Pro para realizar una. Si se conectan tres o cuatro paneles solares, consulte el método que se muestra en el siguiente gráfico para cargar a través del conector solar en serie (nota: El conector solar en serie no se encuentra en la configuración estándar, por lo que deberá adquirirlo por separado. Consulte las instrucciones detalladas de funcionamiento del conector de la serie solar antes de utilizarlo).

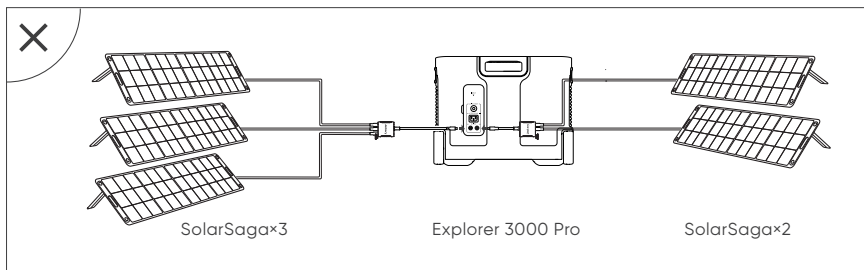




Precaución: Cuando las dos entradas se utilizan al mismo tiempo, asegúrese de utilizar el mismo tipo de panel solar. Además, el número de paneles solares en las dos entradas debe ser el mismo para evitar daños o problemas de carga del equipo debida a tensiones inconsistentes de los dos canales.

Las siguientes formas de conexión están prohibidas para cargar este producto:

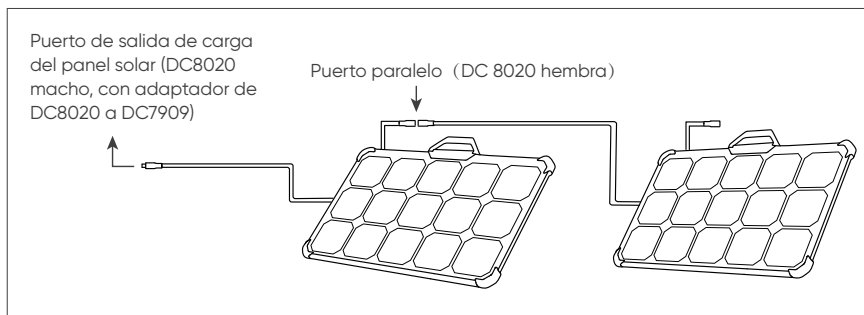




### Guía de conexión del panel solar Jackery SolarSaga 80

Los usuarios que hayan adquirido Jackery SolarSaga 80 pueden cargar el producto consultando el modo de conexión que se muestra a continuación. El Jackery SolarSaga 80 admite la conexión en paralelo o la conexión en paralelo y luego en serie para cargar el producto. El único puerto de entrada del Jackery Explorer 3000 Pro admite la entrada de hasta seis piezas de paneles solares SolarSaga 80. Además, dos puertos de entrada admiten la entrada de hasta 12 piezas de paneles solares SolarSaga 80. (Cuando la energía se conecta con seis paneles solares en un solo puerto de entrada, los paneles solares se dividirán en dos grupos y cada grupo de tres paneles solares se autoconectará en paralelo y luego se conectarán a Jackery Explorer 3000 Pro a través del conector solar en serie. El conector de la serie solar debe adquirirse por separado).

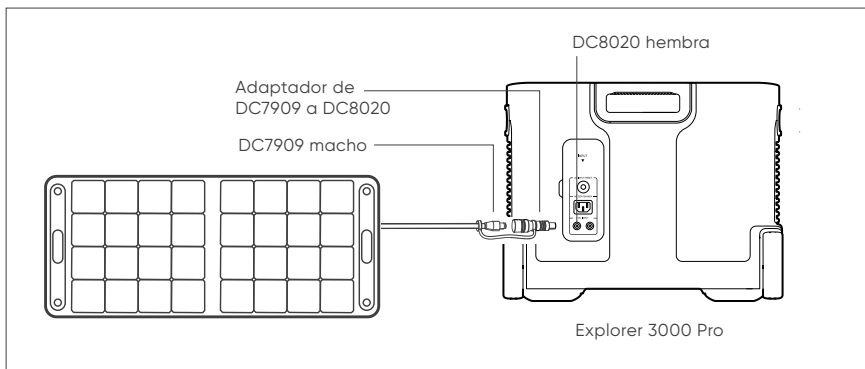
Para obtener instrucciones detalladas sobre la conexión en paralelo del panel solar Jackery SolarSaga 80, consulte el manual del usuario.



Consejo: Los usuarios pueden introducir el número de paneles solares en su propia combinación según el número de paneles solares que hayan comprado. Actualmente, el producto admite la carga con 1, 2, 3, 4, 5, 6, 8 y 12 paneles solares de 80 W en combinación.

### Guía de funcionamiento del adaptador DC7909 a DC8020

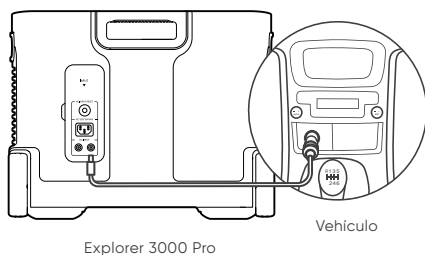
Todos nuestros paneles solares a la venta se han actualizado para incluir un adaptador de DC7909 a DC8020. Si ha comprado un panel solar Jackery sin un adaptador DC7909 a DC8020, puede cargar su Jackery Explorer 3000 Pro siguiendo las instrucciones de conexión que aparecen a continuación.



## CARGA DESDE EL COCHE

Este producto se puede cargar con un cargador de coche de 12 V. Por favor, inicie el vehículo antes de la carga para evitar que se agote la batería del coche y que su vehículo no pueda arrancar.

Mientras tanto, asegúrese de que el cargador del coche y la toma de mechero proporcionan una buena conexión, y asegúrese de que el cargador del coche está completamente insertado. Además, si el vehículo circula por carreteras llenas de altibajos, está prohibido utilizar el cargador del coche por si se quema debido a una mala conexión. La Compañía no será responsable de ninguna pérdida causada por un funcionamiento no estándar.



### Precauciones de seguridad durante la carga

- 1) La carga de vehículos solo es aplicable en vehículos de 12 V, no en los de 24 V. Por favor, no cargue este producto con un vehículo de 24 V para evitar daños personales y pérdidas materiales.
- 2) Para la carga solar, se recomienda utilizar accesorios Jackery - paneles solares. No nos hacemos responsables de las pérdidas causadas por el uso de paneles solares de otras marcas.

## PRECAUCIONES DE SEGURIDAD PARA EL USO

Se deben seguir las precauciones básicas de seguridad al utilizar este producto, incluyendo:

- a. Leer todas las instrucciones antes de utilizar este producto.
- b. Se requiere una atenta supervisión cuando se utiliza este producto cerca de los niños para reducir el riesgo.
- c. Puede haber riesgo de descarga eléctrica si se utilizan accesorios no recomendados o vendidos por fabricantes de productos no profesionales.
- d. Cuando el producto no esté en uso, desconecte el enchufe del producto.
- e. No desmonte el producto, ya que puede provocar riesgos imprevisibles como incendios, explosiones o descargas eléctricas.
- f. No utilice el producto con cables o enchufes dañados, o con cables de salida dañados, ya que pueden provocar una descarga eléctrica.
- g. Cargue el producto en un área bien ventilada y no restrinja la ventilación de ninguna manera.
- h. Por favor, coloque el producto en un lugar ventilado y seco para evitar que la lluvia y el agua provoquen una descarga eléctrica.
- i. No exponga el producto al fuego o a altas temperaturas (bajo la luz directa del sol o en un vehículo con mucho calor), ya que puede provocar accidentes como incendios y explosiones.
- j. Cuando utilice el asa retráctil para mover el Jackery Explorer 3000 Pro, no apile fuerza ni coloque otros objetos por encima encima para evitar que se caiga y pueda causar lesiones.

# INSTRUCCIONES RELATIVAS AL RIESGO DE INCENDIO, DESCARGA ELÉCTRICA O LESIONES PERSONALES

## INSTRUCCIONES DE SEGURIDAD IMPORTANTES

ADVERTENCIA - Al utilizar este producto, deben seguirse siempre las precauciones básicas. Entre ellas, se incluyen:

- Leer todas las instrucciones antes de utilizar el producto.
- Para reducir el riesgo de lesiones, es necesaria una estrecha supervisión cuando el producto se utiliza cerca de niños.
- No introducir los dedos ni las manos en el producto.
- El uso de un accesorio no recomendado ni vendido por el fabricante del generador puede dar lugar a un riesgo de incendio, descarga eléctrica o lesiones a las personas.
- Para reducir el riesgo de daños en el cable y el enchufe eléctricos, tire del enchufe en lugar del cable cuando desconecte el generador.
- No utilice baterías o aparatos dañados o modificados. Las baterías dañadas o modificadas pueden tener un comportamiento impredecible que provoque fuego, explosión o riesgo de lesiones.
- No utilice el generador con un cable o con un enchufe dañado, ni con un cable de salida dañado.
- No desmonte el generador; llévelo a un técnico de servicio calificado cuando requiera servicio o reparación. Un montaje incorrecto puede provocar un riesgo de incendio o una descarga eléctrica.
- Para reducir el riesgo de descarga eléctrica, desenchufe la fuente de alimentación de la toma de corriente antes de realizar cualquier tarea de mantenimiento.

## j) PRECAUCIONES PERSONALES

- Tenga abundante agua fresca y jabón cerca por si el ácido de la batería entra en contacto con la piel, la ropa o los ojos.
- Use protección completa para los ojos y la ropa. Evite tocarse los ojos cuando trabaje cerca de la batería.
- Si el ácido de la batería entra en contacto con la piel o la ropa, lávese inmediatamente con agua y jabón. Si el ácido entra en contacto con los ojos, lávelos inmediatamente con agua corriente fría durante al menos 10 minutos y acuda inmediatamente al médico.
- NUNCA fume ni permita que haya chispas o llamas cerca de la batería o del motor.
- Extreme las precauciones para reducir el riesgo de que caiga una herramienta metálica sobre la batería. Podría producirse una chispa o un cortocircuito en la batería u otra pieza eléctrica que podría causar una explosión.
- Cuando cargue la batería interna, trabaje en un área bien ventilada y no restrinja la ventilación de ninguna manera.
- En condiciones abusivas, puede salir líquido de la batería; evite el contacto. Si se llega a un contacto de forma accidental, enjuague con agua. Si el líquido entra en contacto con los ojos, busque además ayuda médica. El líquido expulsado desde la batería puede causar irritación o quemaduras.
- No exponga la unidad de alimentación al fuego ni a temperaturas excesivas. La exposición al fuego o a temperaturas superiores a 130 °C puede provocar una explosión. La temperatura de 130 °C puede sustituirse por la de 265°F.
- Encargue el mantenimiento a un técnico cualificado que utilice únicamente piezas de repuesto idénticas. Esto garantizará que se mantenga la seguridad del producto.

## GUARDE ESTAS INSTRUCCIONES DE USO

- Utilice y almacene la unidad únicamente en un entorno limpio y seco. NO utilizar ni almacenar en ambientes polvorientos y húmedos.
- Compruebe la unidad antes de cada uso. NO utilice la unidad si está dañada o rota.
- Si se observa óxido, olores peculiares, sobrecalentamiento u otras circunstancias anormales, deje de utilizar la unidad de inmediato y póngase en contacto con el distribuidor o con nuestro centro de atención al cliente.
- Asegúrese de que la unidad está bien sujeta cuando la transporte en un vehículo a motor.
- Cargue el E3000 Pro únicamente a una temperatura ambiente de 0-40 °C (32-104 °F). La temperatura de descarga es de -20-40 °C (-4-104 °F) y la temperatura de almacenamiento es de 1 año: -20-25 °C (-4-77 °F).
- Desconecte inmediatamente el aparato si se ha caído accidentalmente, se ha dejado caer o ha estado expuesto a vibraciones.
- NO utilice la unidad si el cable de alimentación está dañado o roto.
- Mantenga el aparato fuera del alcance de los niños. NO permita que los niños utilicen la fuente de alimentación. Mantener este producto fuera del alcance de los animales domésticos.
- NO utilice la unidad en una zona o entorno con altas temperaturas.
- Si el líquido del interior de la unidad entra en contacto con la piel o la ropa, lave las zonas afectadas con agua del grifo.
- En caso de tormenta, desenchufe el cable de alimentación de la toma de corriente.
- NO coloque la unidad de lado o boca abajo mientras esté en uso o almacenada.

- NO utilice accesorios para otros usos.
- Asegúrese de que el dispositivo que va a conectar está apagado antes de conectarlo.
- NO exponga la unidad de alimentación al fuego o a temperaturas excesivas. La exposición al fuego o a temperaturas superiores a 130 °C puede provocar una explosión.
- Los tiempos de carga solar dependen de las condiciones meteorológicas. Coloque su panel solar donde reciba la mayor cantidad posible de luz solar directa.
- NO coloque la unidad de alimentación en el suelo o a una altura inferior a 457 mm (18 pulgadas) por encima del suelo, ya sea durante su uso o en un centro de reparaciones.

**Advertencia:** No extraiga la batería sin permiso. Si necesita reparar la batería, póngase en contacto con el fabricante lo antes posible.

**PELIGRO:** Este aparato es para uso exclusivo en interiores (por ejemplo, en vehículos recreativos, tiendas de campaña, cabañas aisladas, etc.). No utilizar en exteriores bajo ninguna circunstancia (por ejemplo, donde esté expuesto a la lluvia o la nieve o en entornos húmedos junto al mar o cursos de agua).

## Instrucciones de carga

1. El producto admite cualquier carga de 1 o 2 vías.
2. Cargue la central eléctrica portátil con el cargador; la pantalla LCD se encenderá y mostrará la potencia de entrada.
3. La pantalla mostrará el 100% de capacidad cuando esté completamente cargada.

## Instrucción de descarga

1. Pulse el botón AC: la salida AC se encenderá. Si pulsa el botón de nuevo, la salida AC se apagará y el LED AC se apagará en 1 o 2 segundos.
2. Pulse el botón de 1 o 2 vías DC (USB o 12 V) y la salida se encenderá. Si pulsa el botón de nuevo, la salida DC se apagará y el LED DC se apagará en 1 o 2 segundos.
3. Si la salida de CC o CA está activada, la pantalla LCD mostrará el icono "SALIDA" y la potencia de salida, a menos que todas las salidas de CC estén desactivadas.

## INSTRUCCIONES DE MUDANZA Y ALMACENAMIENTO

- NO mueva la unidad si se está recargando o utilizando.
- NO deseche la unidad junto con la basura doméstica.
- NO coloque la unidad cerca de fuego ni la exponga al calor. Mantener alejado de la luz solar directa.
- NO guarde la unidad en un cuarto de baño o en una zona expuesta a la lluvia o la humedad.
- No desmonte el generador; llévalo a un técnico de servicio calificado cuando requiera servicio o reparación. Un montaje incorrecto puede provocar un riesgo de incendio o una descarga eléctrica.
- NO guarde la unidad en una zona o ambiente con altas temperaturas.

## INSTRUCCIONES DE MANTENIMIENTO PARA EL USUARIO

Antes de usar o guardar su Jackery Explorer, enchúfelo a la pared hasta que esté completamente cargado. Si ve que la batería de la pantalla LCD está baja en algún momento, conéctela lo antes posible a una fuente de alimentación, como una toma de CA o un panel solar.



Nota: Este aparato ha sido probado y cumple con los límites para un dispositivo digital de Clase B, de acuerdo con el Apartado 15 de las Reglas de la FCC. Estos límites están diseñados para proporcionar una protección razonable contra interferencias perjudiciales en una instalación residencial. Este aparato genera, usa y puede irradiar energía de radiofrecuencia y, si no se instala y utiliza de acuerdo con las instrucciones, puede causar interferencias perjudiciales en las comunicaciones por radio. Sin embargo, no hay garantía de que no se produzcan interferencias en una instalación concreta. Si este aparato causa interferencias dañinas en la recepción de radio o televisión, lo cual puede determinarse encendiendo y apagando el equipo, se recomienda al usuario que intente corregir la interferencia mediante una o varias de las siguientes medidas:

- Reorientar o reubicar la antena receptora.
- Aumentar la separación entre el equipo y el receptor.
- Conecte el aparato a una toma de corriente en un circuito diferente al que está conectado el receptor.
- Consulte con el distribuidor o con un técnico de radio o TV experimentado para recibir ayuda.

# GARANTÍA

Nota: Sólo proporcionamos nuestra garantía para el comprador que compró en Amazon (Jackery Inc), la página web de Jackery o los distribuidores locales autorizados.

## Garantía limitada

Jackery Inc. garantiza al consumidor original que el producto Jackery estará libre de defectos relativos al acabado y a los materiales en condiciones normales de uso por parte del consumidor durante el período de garantía aplicable identificado en la sección "Período de garantía" que figura a continuación, sujeto a las exclusiones que se establecen a continuación.

Esta declaración de garantía establece la obligación de garantía total y exclusiva de Jackery. No asumiremos ni autorizaremos que ninguna persona asuma por nosotros ninguna otra responsabilidad en relación con la venta de nuestros productos.

## Período de garantía

3 años de garantía estándar: El período de garantía estándar para Jackery Explorer 3000 Pro es de 36 meses. En cada caso, el período de garantía se mide a partir de la fecha de compra por parte del comprador consumidor original. Para establecer la fecha de inicio del período de garantía, se necesita el recibo de venta de la primera compra del consumidor u otra prueba documental razonable.

Ampliación de garantía de 2 años: para activar la extensión de garantía, debe registrar su producto en línea o ponerse en contacto con nuestro equipo de atención al cliente en [hello@jackery.com](mailto:hello@jackery.com) para ampliar la duración de la garantía estándar.

## Cambio

Jackery sustituirá (a cargo de Jackery) cualquier producto Jackery que no funcione, durante el período de garantía aplicable, debido a defectos de acabado o de material. Un producto de sustitución asume la garantía restante del producto original.

## Limitado al comprador consumidor original

La garantía del producto de Jackery se limita al consumidor original y no es transferible a ningún propietario posterior.

## Exclusiones

La garantía de Jackery no se aplica a:

Mal uso, abuso, modificación, daño por accidente, o uso para cualquier cosa que no sea el uso normal del consumidor según lo autorizado en los folletos actuales del producto de Jackery.

Intento de reparación por cualquier persona que no sea un centro autorizado.

Cualquier producto adquirido a través de una casa de subastas en línea.

La garantía de Jackery no se aplica a la célula de la batería a menos que usted la cargue completamente en los siete días siguientes a la compra del producto y, a partir de entonces, al menos una vez cada 6 meses.

Descargar la aplicación móvil Jackery



## **JACKERY INC.**

48531 WARM SPRINGS BLVD, STE 408, FREMONT, CA 94539-7793

Tel:1-888-502-2236(US) E-mail:hello@jackery.com Website:www.jackery.com

