



Professional Cable Reel Instruction Manual



WARNING: Read carefully and understand all INSTRUCTIONS before operating. Failure to follow the safety rules and other basic safety precautions may result in serious personal injury.

Save these instructions in a safe place and on hand so that they can be read when required. Keep these instructions to assist in future servicing.



GENERAL SAFETY REGULATIONS

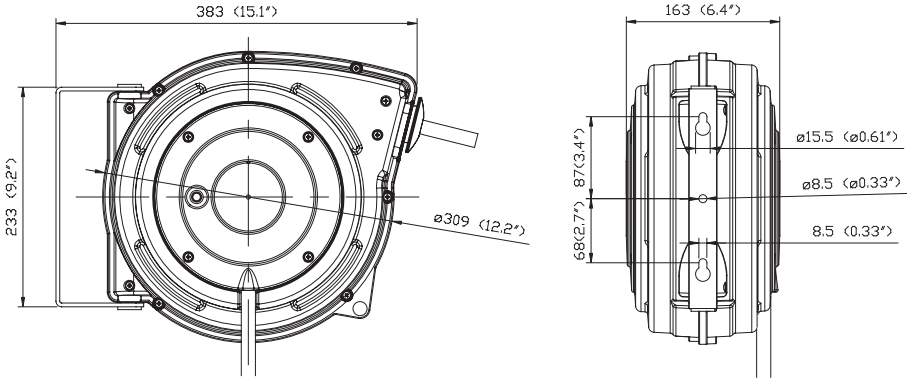


WARNING: The warnings, cautions, and instructions discussed in this instruction manual cannot cover all possible conditions or situations that could occur. It must be understood by the operator that common sense and caution are factors that cannot be built into this product, but must be supplied by the operator.

1. Keep the work area clean and dry. Damp or wet work areas can result in injury.
2. Keep children away from work area. Do not allow children to handle this product.
3. Use the right tool for the job. Do not attempt to force small equipment to do the work of larger industrial equipment. There are certain applications for which this equipment was designed. It will do the job better and more safely at the capacity for which it was intended. Do not modify this equipment, and do not use this equipment for a purpose for which it was not intended.
4. Check for damaged parts. Before using this product, carefully check that it will operate properly and perform its intended function. Check for damaged parts and any other conditions that may affect the operation of this product. Replace damaged or worn parts immediately.
5. Do not overreach. Keep proper footing and balance at all times to prevent tripping, falling, back injury, etc.
6. DO NOT use the equipment when tired or under the influence of drugs, alcohol, or medication. A moment of inattention while operating this equipment may result in serious personal injury

TECHNICAL DETAILS

Item No.	Type	Number of Core	Cord Length	Volt	AWG	Ampere(A)
63313134G	SJTOW	3	40'	125V	14	13A
63313132G	SJTOW	3	40'	125V	12	15A
63313156G	SJTOW	3	50'	125V	16	7.5A

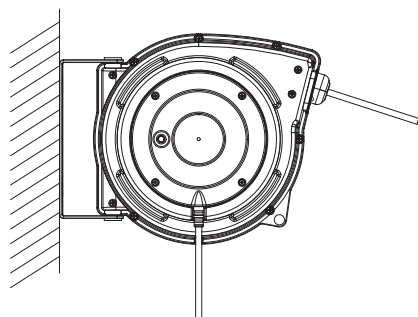


SAFETY PRECAUTIONS

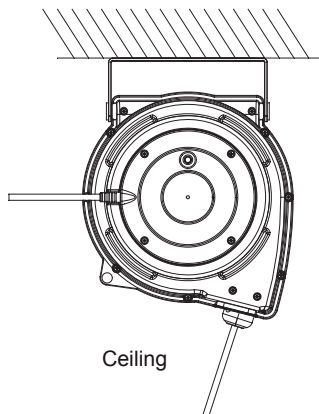
1. Ensure that only the qualified electrician can install/service this cable reel. And it must not be used by children or unskilled persons.
2. Ensure that power supply voltage does not exceed maximum voltage rating of reel.
3. Ensure that reel is properly installed before connecting to power supply.
4. Ensure that all electrical power is removed from reel before servicing.
5. Check for frayed and broken wires before each use.
6. When pull electrical cable from the reel always grasp the electrical cable itself, not the work device.
7. Remove power from the reel immediately when any malfunction occurs.
8. Never remove, tamper with or cut the safety devices fitted by the manufacture.
9. Do not use the reel in damp or wet conditions. Keep the work area is clean. Avoid put in sundries reel.

INSTALLATION

1. Unpack and inspect reel for damage. Turn by hand to check for smooth operation. Check for completeness.
2. The cable reel must be installed in premises conforming to current regulation and standards covering systems and work environments.
3. Secure the cable reel to the wall and the ceiling according to the installation diagrams. You will need to purchase appropriate hardware for mounting your new reel. Using screw anchors or suitable screws which must be fitted in the holes in the brackets.
 - a) The reel base has three 8.5mm drilled holes for mounting on a suitable flat surface.
 - b) Using the three holes in the base, mount the reel in the desired location. Be sure to use appropriate hardware and tighten securely.

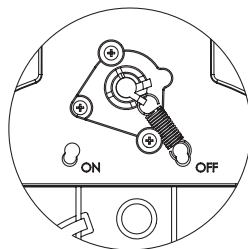
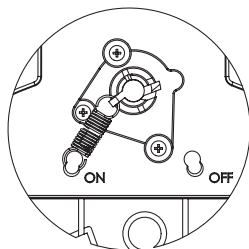


Wall



Ceiling

- If cable stopper adjustment is required, pull cable from reel and allow to latch at desired length. Loosen stopper bolts, and slide stopper to a position close to the cable guide. Tighten stopper bolts, and unlatch the reel.
- Double adjustment function, see below the picture. Adjust the latch spring to left position, could lock the cable at any desired length. Adjust the latch spring to opposite position, have non-lock function, then cable can be freely moved.



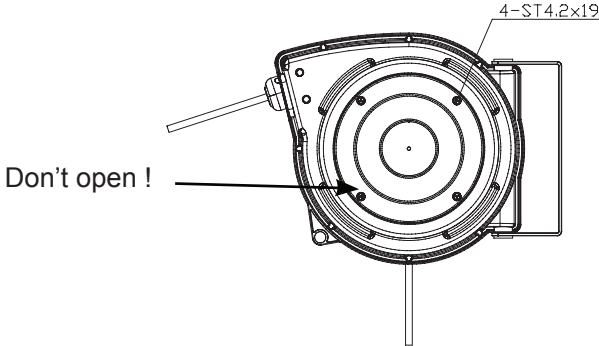
OPERATION

- Check reel for correct operation by slowly pulling out cable. A "clicking" noise will be heard every half revolution of the drum.
- To latch the reel, pull out the cable and allow it to retract after hearing the first second or third "click".
- To unlatch, slowly pull out the cable until the "clicking" noise stops, then let cable retract until the cable stopper rests against the cable guide.
- When over loading, the thermal cut-out will cut off automatically, then push the red button until restore.
- If necessary, adjust spring tension on reel by adding or removing wraps of cable from spool, one wraps at a time, until desired tension is obtained. Add wraps to increase tension. Remove wraps to decrease tension.

Note: To avoid damage to the reel, always hold on to the cable while it is rewinding.



WARNING: Do not open the cover (#10) at will. It is very dangerous and can cause personal injury or death. See below picture.



MAINTENANCE

1. Make sure the cable is in proper working order.
2. Clean the cable with a cloth dipped in warm water to remove dirt or deposits and ensure correct rewinding.
3. Do not use detergents or solvents which could prove incompatible with cable-winder materials.
4. Dismantling of the unit by unskilled personal could prove hazardous; the risk involved mainly concern the preloaded springs.

LIMITED WARRANTY

1. The manufacturer warrants this cable reel against defects in material and craftsmanship, for a period of 24 months from date of purchase, but not including cable, socket.
2. Manufacturer's liability is limited to replacement or repair of defective material within the warranty period, when returned freight prepaid to the distributor or their designated service depot.
3. The warranty does not cover damage caused by accident, misuse or faulty installation.
4. The reel must be installed and maintained in compliance with the instructions.

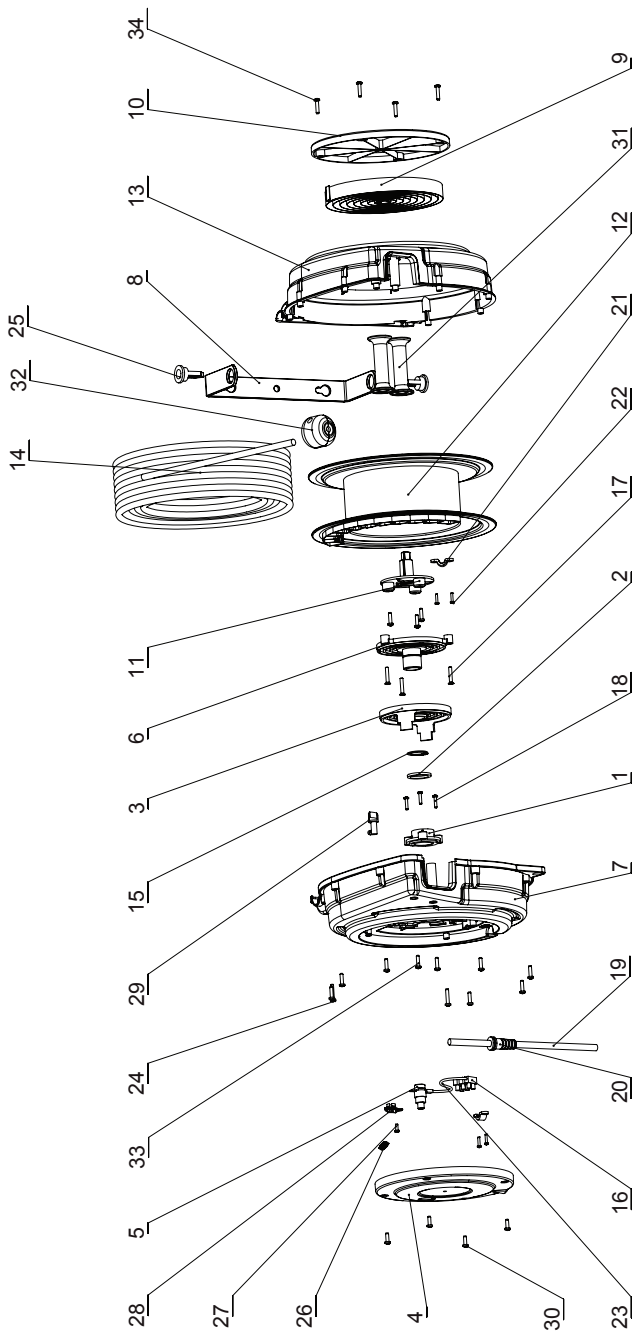


WARNING: Your risk from these exposures varies, depending on how often you do this type of work. To reduce your exposure to these chemicals: work in a well ventilated area, and work with approved safety equipment, such as those dust masks that are specially designed to filter out microscopic particles.

TROUBLE SHOOTING

Problem(s)	Solution(s)
Cord will not fully retract.	Call an authorized technician for service to add tension to the reel's internal spring.
Cord will not retract at all.	Call an authorized technician for service.
No electrical power at output end of cord.	Check all connections ensuring they are properly wired. Press the reset button on the side of the reel case.

EXPLODED AND PARTS LIST



Part No.	Description	Q'ty	Part No.	Description	Q'ty
1	Fixed Base	1	18	Screw	3
2	Washer	1	19	Lead-in Cord Assembly	1
3	Fixed Plate	1	20	Protect sheath	1
4	Small Left Cover	1	21	Clamp	2
5	Overload protection	1	22	Screw	4
6	Movable Plate	1	23	Connect Wire	1
7	Left Cover	1	24	Screw	2
8	Bracket	1	25	Pin	2
9	Main Spring	1	26	Ratchet Spring	1
10	Small Right Cover	1	27	Screw	1
11	Axle	1	28	Ratchet Base	1
12	Drum	1	29	Ratchet Paw	1
13	Right Cover	1	30	Screw	4
14	Cord Assembly	1	31	Roller	2
15	Retainer	1	32	Stopper Assembly	1
16	Terminal block	1	33	Screw	12
17	Screw	3	34	Screw	4

TECHNICAL
DETAILS

SAFETY
PRECAUTIONS

INSTALLATION

OPERATION

MAINTENANCE

LIMITED
WARRANTY

TROUBLE
SHOOTING

EXPLODED AND
PARTS LIST



Goodyear (and winged foot design) and Blimp are trademarks of The Goodyear Tire & Rubber Company used under license by Intradin (Shanghai) Machinery Co., Ltd. China.
Copyright 2016 The Goodyear Tire & Rubber Company.