



## Spring Driven Air Hose Reel Instruction Manual

---



**WARNING:** Read carefully and understand all INSTRUCTIONS before operating. Failure to follow the safety rules and other basic safety precautions may result in serious personal injury.

Save these instructions in a safe place and on hand so that they can be read when required. Keep these instructions to assist in future servicing.

---



## GENERAL SAFETY REGULATIONS

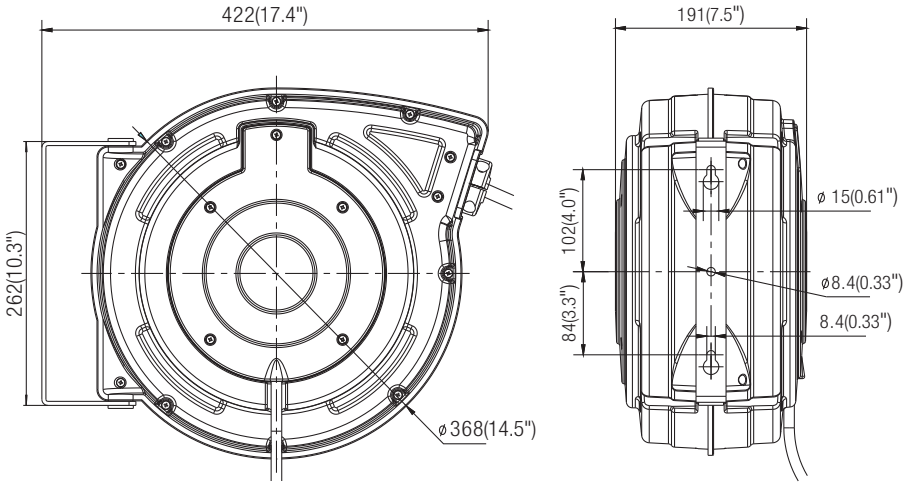


**WARNING:** The warnings, cautions, and instructions discussed in this instruction manual cannot cover all possible conditions or situations that could occur. It must be understood by the operator that common sense and caution are factors that cannot be built into this product, but must be supplied by the operator.

1. Keep the work area clean and dry. Damp or wet work areas can result in injury.
2. Keep children away from work area. Do not allow children to handle this product.
3. Use the right tool for the job. Do not attempt to force small equipment to do the work of larger industrial equipment. There are certain applications for which this equipment was designed. It will do the job better and more safely at the capacity for which it was intended. Do not modify this equipment, and do not use this equipment for a purpose for which it was not intended.
4. Check for damaged parts. Before using this product, carefully check that it will operate properly and perform its intended function. Check for damaged parts and any other conditions that may affect the operation of this product. Replace damaged or worn parts immediately.
5. Do not overreach. Keep proper footing and balance at all times to prevent tripping, falling, back injury, etc.
6. DO NOT use the equipment when tired or under the influence of drugs, alcohol, or medication. A moment of inattention while operating this equipment may result in serious personal injury

## TECHNICAL DETAILS

Item No.	Max Pressure	Hose Working Temperature	Hose Capacity		
			Material	I.D.	Length
27527153G	300PSI (20Bar)	-40~80°C (-40~176°F)	Hybrid Polymer	3/8"/9.5mm	15m/50ft



## SAFETY PRECAUTIONS

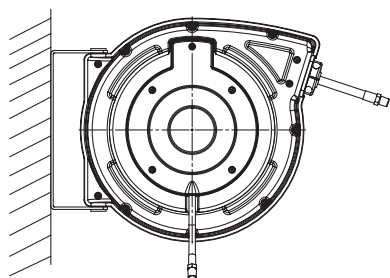
1. Use proper eye protection when assembling and using the hose reel.
2. Keep children away from the work area.
3. Personal injury and/or equipment damage may result if proper safety precautions are not observed.
4. Ensure that reel is properly installed before connecting input and output hoses.
5. Bleed fluid/gas pressure from system before servicing reel.
6. Before connecting reel to supply line ensure that pressure does not exceed maximum working pressure rating of reel.
7. Remember, even low pressure is very dangerous and can cause personal injury or death.
8. If a leak occurs in the hose or reel, remove system pressure immediately.
9. Ensure that reel, hose, and equipment being service are properly grounded.
10. If reel ceases to unwind or rewind, remove system pressure immediately.
11. Do not pull or jerk on hose.



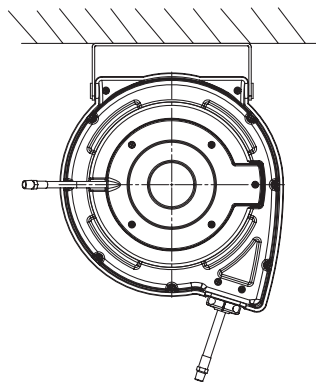
**WARNING:** Exposure of skin directly to pressurized air, or fluids could result in severe bodily injury.

## INSTALLATION

1. Prior to mounting the hose reel, ensure that the supply line pressure does not exceed the maximum working pressure of the hose reel.
2. Unpack and inspect reel for damage. Turn by hand to check for smooth operation. Check for completeness.
3. For overhead ceiling mounting: Install reel at most 10 ft/ 3m above the floor.
4. You will need to purchase appropriate hardware for mounting your new reel.
  - 1) The reel base has three 8.5mm drilled holes for mounting on a suitable flat surface.
  - 2) Using the three holes in the base, mount the reel in the desired location. Be sure to use appropriate hardware and tighten securely.

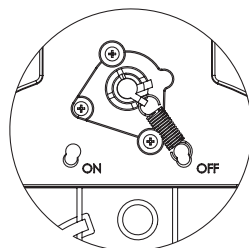
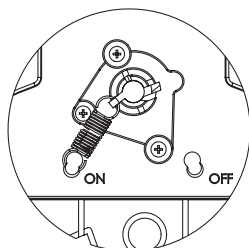


Wall



Ceiling

5. Apply teflon tape or pipe sealant to supply line threads, attach to reel inlet and tighten. The other end of incoming line can now be connected to desired supply source.
6. Apply Teflon tape or pipe sealant to outlet fitting on reel hose, then attach to desired tool, or nozzle. Check connection for leakage, also check hose reel for correct operation. See: Operation section.
7. If hose stopper adjustment is required, pull hose from reel and allow to latch at desired length. Loosen stopper bolts, and slide stopper to a position close to the hose guide. Tighten stopper bolts, and unlatch the reel.
8. Double adjustment function, see below the picture. Adjust the latch spring to left position, could lock the hose at any desired length. Adjust the latch spring to opposite position, have non-lock function, then hose can be freely moved.

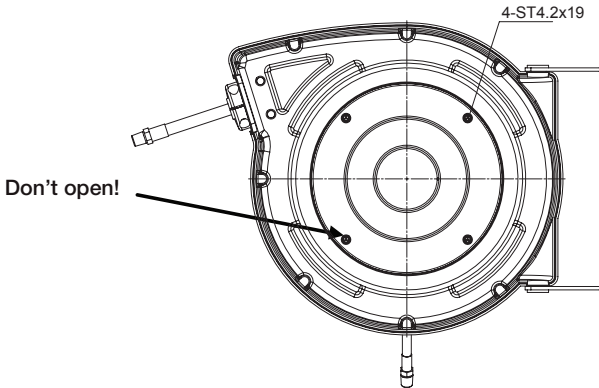


## OPERATION

1. Check reel for correct operation by slowly pulling out hose. A "clicking" noise will be heard every half revolution of the drum.
2. To latch the reel, pull out the hose and allow it to retract after hearing the first second or third "click".
3. To unlatch, slowly pull out the hose until the "clicking" noise stops, then let hose retract until the hose stopper rests against the hose guide.
4. If necessary, adjust spring tension on reel by adding or removing wraps of hose from spool, one wraps at a time, until desired tension is obtained. Add wraps to increase tension. Remove wraps to decrease tension.



**WARNING:** Do not open the cover (#10) at will. It is very dangerous and can cause personal injury or death. See below picture.



## MAINTENANCE

1. Make sure the hose is in proper working order.
2. Clean the hose with a cloth dipped in warm water to remove dirt or deposits and ensure correct rewinding.
3. Do not use detergents or solvents which could prove incompatible with cable-winder materials.
4. Dismantling of the unit by unskilled personal could prove hazardous; the risk involved mainly concern the preloaded springs.

## LIMITED WARRANTY

1. The manufacturer warrants this hose reel against defects in material and craftsmanship, for a period of 24 months from date of purchase, but not including hose and O-ring parts.
2. Manufacturer's liability is limited to replacement or repair of defective material within the warranty period, when returned freight prepaid to the distributor or their designated service depot.
3. The warranty does not cover damage caused by accident, misuse or faulty installation.
4. The reel must be installed and maintained in compliance with the instructions.

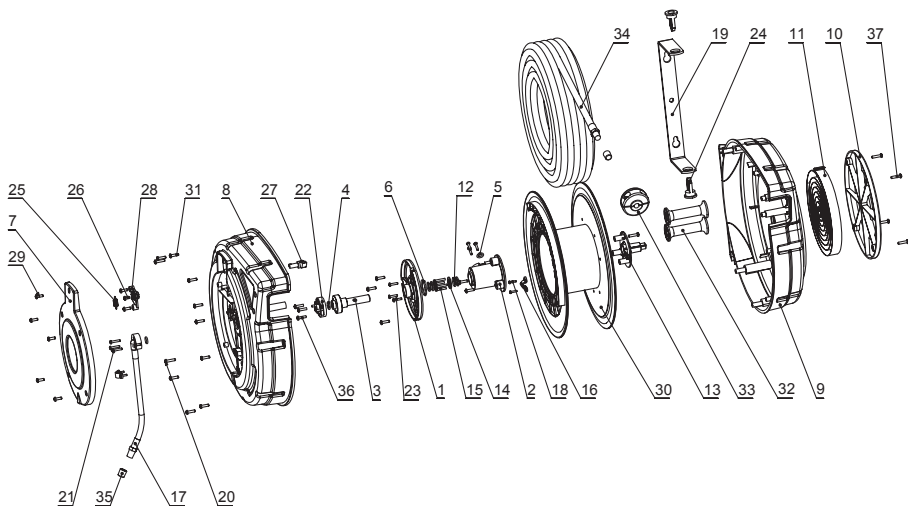


**WARNING:** Your risk from these exposures varies, depending on how often you do this type of work. To reduce your exposure to these chemicals: work in a well ventilated area, and work with approved safety equipment, such as those dust masks that are specially designed to filter out microscopic particles.

## TROUBLE SHOOTING

Problem(s)	Possible Cause	Corrective Action
Fluid path (plumbing and/or Swivel) is leaking or damaged	<p>a) Maximum pressure rating for reel has been exceeded</p> <p>b) Application is not compatible with plumbing and/or swivel seal materials.</p>	<p>a) Replace or repair damaged components. Consult factory. Check maximum pressure rating of reel.</p> <p>b) Contact factory to determine chemical compatibility or environmental issues (i.e. temperature rating).</p>
Hose will not fully retract	<p>a) Outlet nozzle, gun or tool is too heavy.</p> <p>b) Spring is fatigued.</p> <p>c) Field installed hose is too long.</p>	<p>a) Add spring tension. See "Spring Tension Adjustment".</p> <p>b) Add spring tension. See "Spring Tension Adjustment". Replace Spring Canister if required.</p> <p>c) Call local distributor for correct specified hose length.</p>
Hose will not retract at all	Spring has lost all tension or has possibly broken	Reinstall Spring Tension
Reel will not latch	<p>a) Incorrect operation</p> <p>b) Dog spring or locking cam is broken or worn</p>	<p>a) To latch the reel, pull out the hose and allow it to retract after hearing the first second or third "click".</p> <p>b) Replace dog spring or locking cam.</p>
Fluid leaks from swivel	<p>a) Swivel seals are damaged or worn</p> <p>b) Inlet hose is not flexible</p>	<p>Replace swivel seals. See "Swivel Seal Replacement".</p> <p>Caution: Be sure leak is not at Hose Fitting!</p>
Swivel assembly in not moving freely or locking up	Inlet hose is not flexible causing side force on swivel	Properly tighten inlet hose. Hand tighten fitting, plus 1/2 turn with wrench.

# EXPLODED AND PARTS LIST



Part No.	Description	Q'ty	Part No.	Description	Q'ty
1	Bushing	1	20	Screw	3
2	Swivel Body	1	21	Screw	3
3	Swivel Spool	1	22	Connector	1
4	O-ring	1	23	Screw	6
5	O-ring	2	24	Pin	2
6	O-ring	1	25	Ratchet Spring	1
7	Small Left Cover	1	26	Screw	1
8	Left Cover	1	27	Ratchet Paw	1
9	Right Cover	1	28	Ratchet Base	1
10	Small Right Cover	1	29	Screw	7
11	Main Spring	1	30	Drum	1
12	O-ring	4	31	Screw	14
13	Axle	1	32	Roller	2
14	Retainer	1	33	Stopper Assembly	1
15	Retainer Base	1	34	Hose Assembly	1
16	Clamp	2	35	Protector Cap	2
17	Lead-in Hose Assembly	1	36	Screw	3
18	Screw	4	37	Screw	4
19	Bracket	1			

TECHNICAL  
DETAILS

SAFETY  
PRECAUTIONS

INSTALLATION

OPERATION

MAINTENANCE

LIMITED  
WARRANTY

TROUBLE  
SHOOTING

EXPLODED AND  
PARTS LIST



Goodyear (and winged foot design) and Blimp are trademarks of The Goodyear Tire & Rubber Company used under license by Intradin (Shanghai) Machinery Co., Ltd. China.  
Copyright 2016 The Goodyear Tire & Rubber Company.