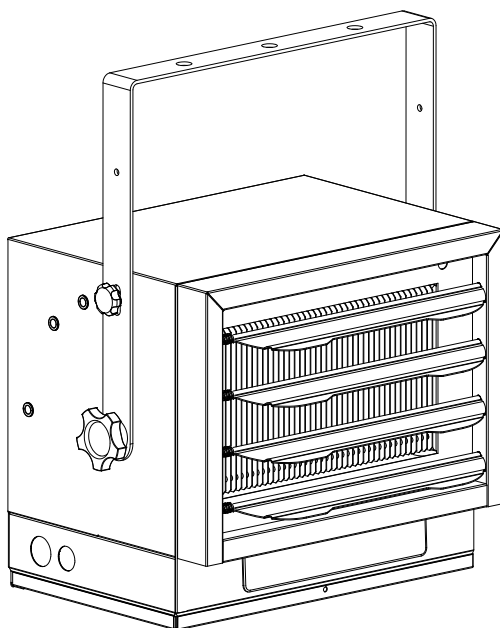




Heavy Electric Utility Heater  
Model: EG7500DH  
**“USER’S MANUAL AND  
OPERATING INSTRUCTIONS”**



MODEL: **EG7500DH**



Before the first use of this heater, please read this USER’S MANUAL very carefully. This USER’S MANUAL has been designed to instruct you as to the proper manner in which to assemble, maintain, store, and most importantly, how to operate the heater in a safe and efficient manner. Please keep this manual for future reference.

**CONSUMER : Retain this manual for future reference.**

Questions, problems, missing parts? Before returning to your retailer, call our customer service department at 877-447-4768 8:30 a.m. - 4:30 pm CST, Monday - Friday.  
or email us at [customerservice@ghpgroupinc.com](mailto:customerservice@ghpgroupinc.com)

# IMPORTANT INSTRUCTIONS

When using electrical appliances, basic precautions should always be followed to reduce the risk of fire, electric shock, and injury to persons, including the following:

1. Read all instructions before installing or using this heater.
2. This heater is hot when in use. To avoid burns, do not let bare skin touch hot surfaces. Keep combustible materials, such as furniture, pillows, bedding, papers, clothes, and curtains at least 3 feet (0.9 m) from the front of the heater and keep them away from the sides and rear.
3. Extreme caution is necessary when any heater is used by or near children or invalids and whenever the heater is left operating and unattended.
4. Always turn off the power of heater when not in use.
5. Do not operate any heater with the heater malfunctions, has been dropped or damaged in any manner. Return heater to authorized service facility for examination, electrical or mechanical adjustment, or repair.
6. Do not use outdoors.
7. This heater is not intended for use in bathrooms, laundry areas and similar indoor locations. Never locate heater where it may fall into a bathtub or other water container.
8. Do not insert or allow foreign objects to enter any ventilation or exhaust opening as this may cause an electric shock or fire, or damage the heater.
9. To prevent a possible fire, do not block air intakes or exhaust in any manner. Do not use on soft surfaces, like a bed, where openings may become blocked.
10. A heater has hot and arcing or sparking parts inside. Do not use it in areas where gasoline, paint, or flammable liquids are used or stored.
11. Use this heater only as described in this manual. Any other use not recommended by the manufacturer may cause fire, electric shock, or injury to persons.

**PET OWNERS WARNING:** The health of some small pets including birds are extremely sensitive to the fumes produced during the first-time use of many appliances. These fumes are not harmful to humans but we recommended that you do not use your heater around birds and small pets during its initial use until the manufacturing corrosion coatings burn off.

## SAVE THESE INSTRUCTIONS

## CONTENTS OF USER'S MANUAL

<b>ITEM</b>	<b>PAGE #</b>
PRECAUTIONS - SAFETY GUIDE .....	3
1. DESCRIPTION .....	3
2. SPECIFICATIONS.....	3
3. GENERAL SAFETY INFORMATION .....	3
4. LOCATING HEATER.....	4
5. PRE-INSTALLATION.....	5
6. INSTALLATION .....	6
7. OPERATING INSTRUCTIONS .....	11
8. MAINTENANCE .....	13

### **DESCRIPTION**

This Electric Garage Heater is the ideal heating solution for your garage, warehouse, or workshop with its 2 heat settings, convenient space-saving ceiling-mount, and adjustable thermostat. To ensure safety this heater was designed with overheat protection and a caution indicator light.

### **SPECIFICATIONS**

Rating	AMPS	BTU/hour
7500W II 240-1-60	31.25	22589
5000W I 240-1-60	20.9	17065

### **GENERAL SAFETY INFORMATION**

#### **⚠ WARNING**

**This heater requires hardwire installation (no plug). The installation of this product must be carried out by a certified electrician and in accordance with all local and national electrical codes.**

**NOTE: Compatible with a 240V Line Voltage Double Pole Wall Thermostat. Must be installed by a Certified Electrician.**

#### **⚠ WARNING**

**Read and understand all installation & operation instructions prior to operating this unit. Observe all safety instructions.**

1. Use only copper wires rated for at least 60°C.
2. Heater air flow must be directed parallel to or away from adjacent wall.
3. Observe all wall, floor and ceiling clearance requirements.
4. All wiring must be done according to national and local electrical codes. The heater must be grounded as a precaution against possible electrical shock. Heater circuit must be protected with proper fuses.
5. The mounting structure and the anchoring hardware must be capable of supporting the weight of the heater and the mounting bracket (if used).

## GENERAL SAFETY INFORMATION

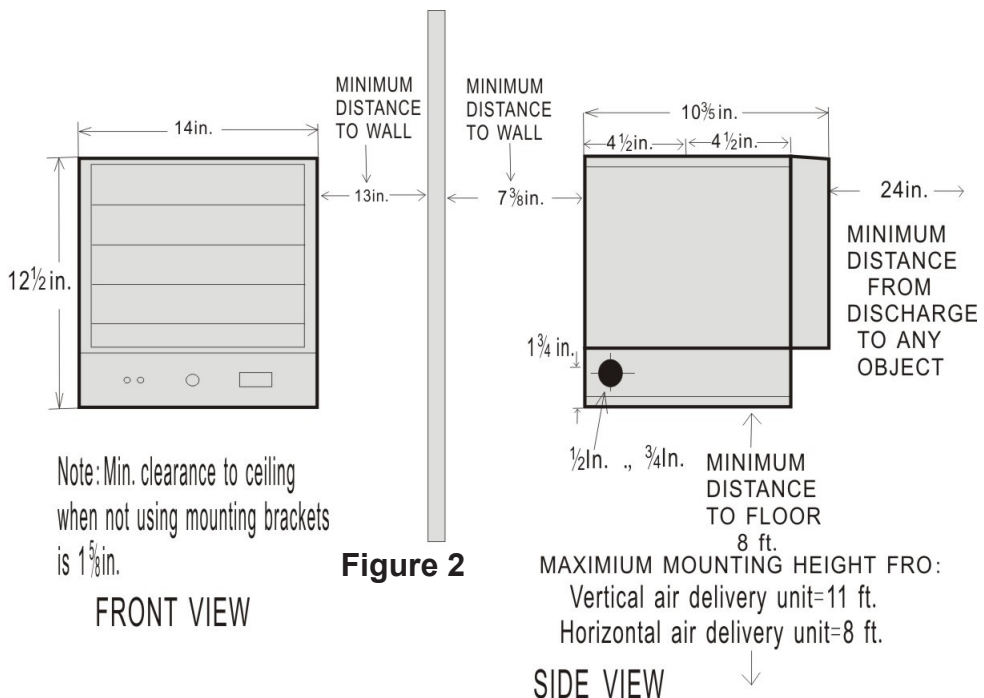
6. All electrical power must be disconnected at the main service box, which must be locked before connecting, inspecting, cleaning or servicing the heater. This is an important precaution to prevent serious electric shock.
7. This heater is not suitable for use in hazardous locations containing explosive liquids or vapours. This heater has hot or arcing or sparking pads inside. Do not use it in areas where gasoline, paint or flammable liquids are used or stored.
8. This heater is not suitable for use in corrosive atmospheres such as marine greenhouses or chemical storage areas.
9. This heater must be mounted at least 8 feet off the floor. For specific clearances, please see next page.

## **⚠ WARNING**

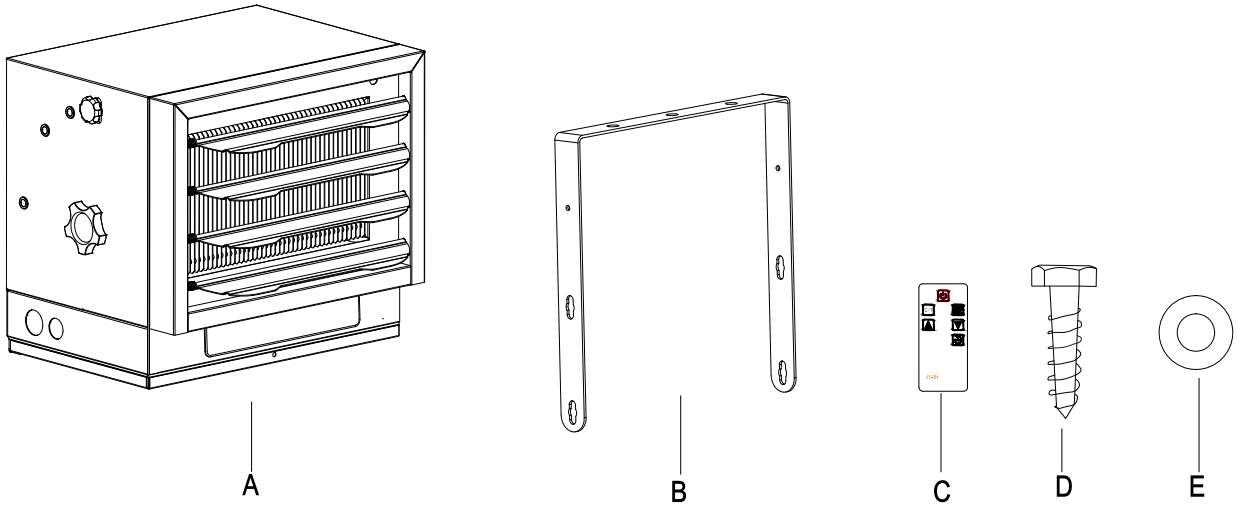
**Improper installation or failure to follow the procedures outlined in this instruction manual can result in serious electrical shock.**

## LOCATING HEATER

Install heater away from traffic areas, maintaining clearances stated in figure 2 (below). The air flow direction should not be restricted (ie. by columns or machinery). The air flow should wipe exposed walls rather than blowing directly on them. When more than one heater is used in an area, heaters should be installed so that the air discharge of each heater supports the air flow of the others, to provide best warm air circulation as shown in figure 3.



## PRE-INSTALLATION



Part	Description	Quantity
A	Garage Heater	1
B	Mounting Bracket	1
C	Infrared Remote Control	1
D	Screw	3
E	Washer	6

## LOCATING HEATER

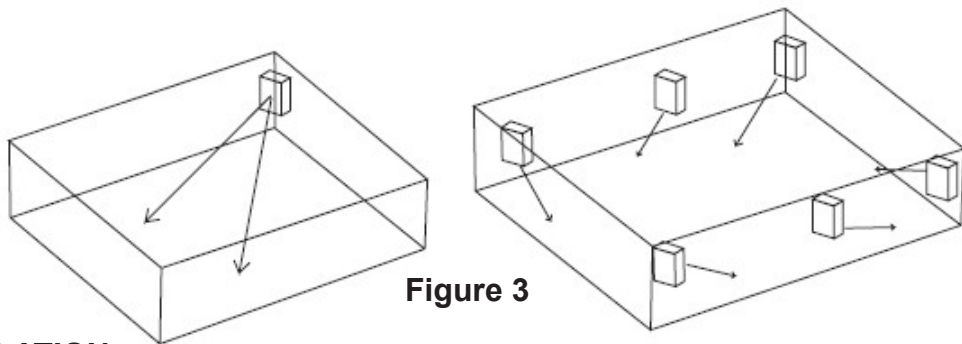


Figure 3

## INSTALLATION

### **MOUNTING THE BRACKET**

Refer to Figures 4a and 4b.

1. Locate a wood stud in the wood ceiling joist. If you cannot locate a wood stud, you have to install a wood piece on the ceiling as this heater must be securely fastened.
2. Remove the mounting bracket from the heating unit by loosening bracket screws with a wrench and slipping the handle off over the screw heads.
3. Place a washer on screws before inserting through the holes in the mounting bracket and screw them securely into a ceiling joist.

**NOTE:** If you want to swivel the heater either to the right or left adding a washer to both sides of the bracket is recommended. A longer lag bolt may be required to properly secure the unit. See Figure 4a.

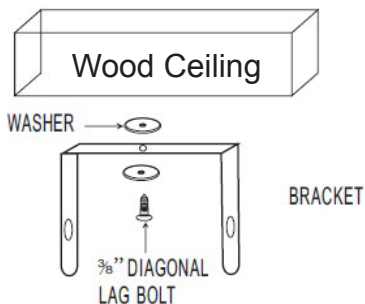


Figure 4a. Single-Screw Mounting

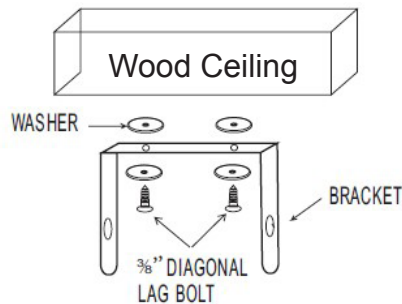


Figure 4b. Double-Screw Mounting

### **HANGING THE HEATER**

1. Attach the heating unit to the mounting bracket.
2. Lift the heater up and into the mounting bracket.
3. Align the bracket screws with the keyhole slots in the mounting bracket.
4. If the heater is to be tilted it must be positioned in the keyhole slots - see figure 5.
5. Tighten the bracket screws with a wrench so the unit is securely suspended at horizontal or vertical level.

## ADJUSTING AIR FLOW DIRECTION

1. To turn the unit when it has been installed with a single lag bolt (as shown in figure 4a), simply turn the entire heater as needed. The unit cannot be turned horizontally if it has been installed with 2 lag bolts.
2. To tilt the unit vertically, loosen the bracket screws (see figure 5).

**NOTE:** For the heater to be tilted vertically, it must be mounted in bottom keyhole slots of mounting brackets to maintain adequate clearance and prevent possible overheating.

Figure 5

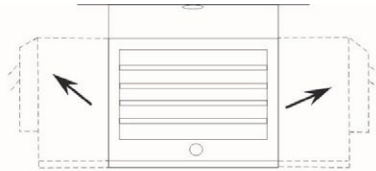
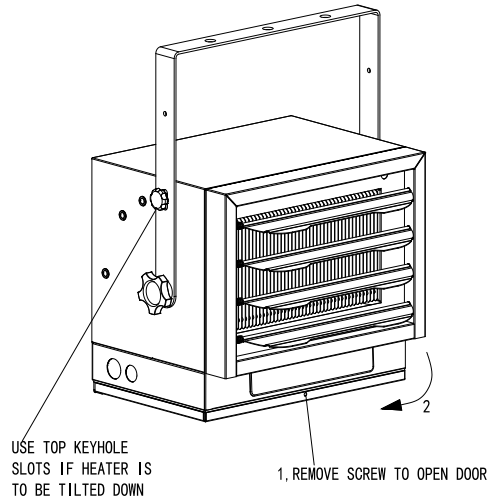


Figure 6

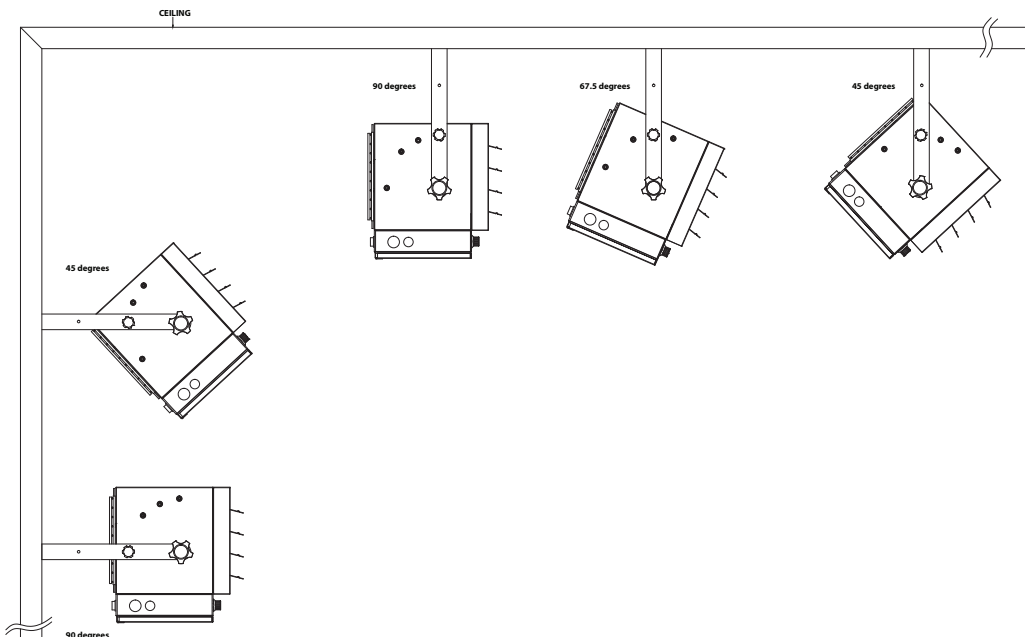
3. Adjust louvers to the desired position (see Figure 6).

**NOTE:** The louvers are designed so they cannot be completely closed. Do not attempt to defeat this feature; damage to the unit can result.

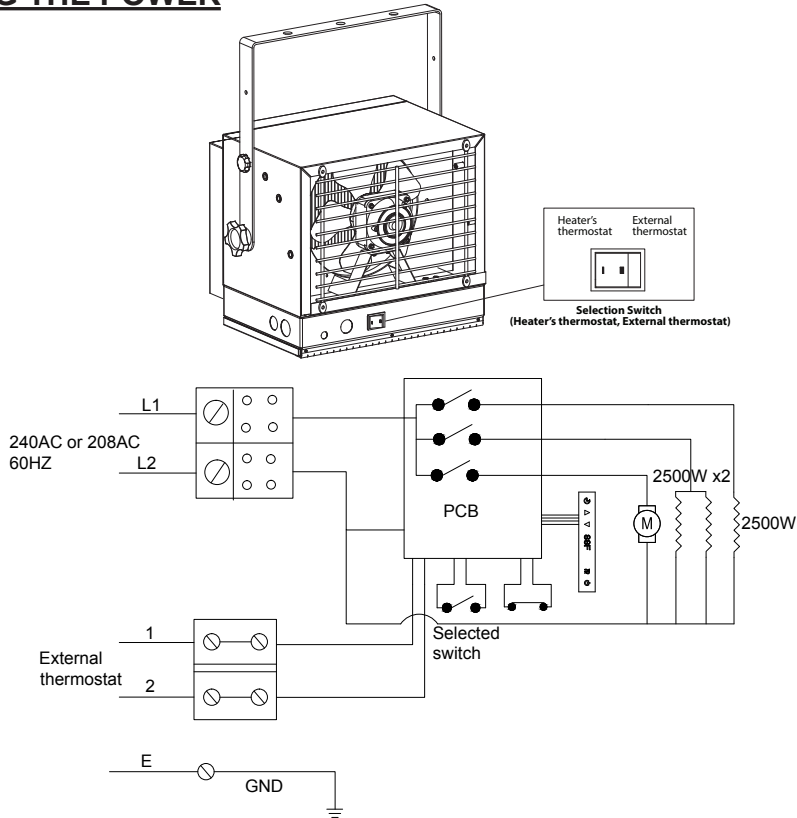
## ⚠ WARNING

To prevent possible electric shock, disconnect power to the heater at the main service box before attempting to adjust the heat output of this unit.

## MULTIPLE VERTICAL ANGLES

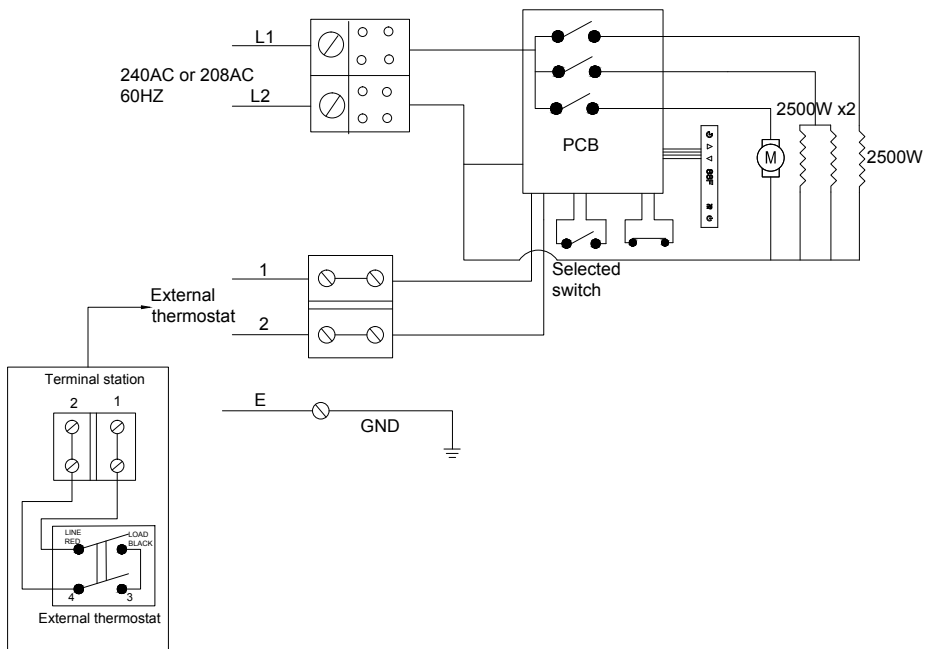


# CONNECTING THE POWER



**If you will use an external temperature control (external thermostat) to control the heater to be operated or not, please follow below attention points:**

1. Make sure that the heater's temperature control knob (thermostat knob) is turned fully clockwise.
2. Connect the wire according to below wiring diagram.





## **CONNECTING THE POWER**

3. The external temperature control (external thermostat) should be in accordance with the requirement of UL or CSA standard.
4. The lead wire of external temperature control (external thermostat) can not be less than 14AWG.

### **TO PROTECT THE HEATING ELEMENT**

When starting the heater, turning the temperature control clockwise slowly to terminal, the unit starts the fan first then starts the heating element.

When shutting off the heater, turning the temperature control counter-clockwise to off, the heating element first will turn off then the fan will run a short cooling cycle and then turn off.

## **⚠ WARNING**

**Warning: This appliance must be grounded!**

## **⚠ WARNING**

**Warning: The appliance must connect to a current protection circuit or device at 50Amp or less before being connected to power supply!**

1. Remove the screw from the front of the unit to connect the power to the heater.
2. Attach the cable connectors to the unit (See Figure 7) and slide the 10-gauge wire through the cable connector.

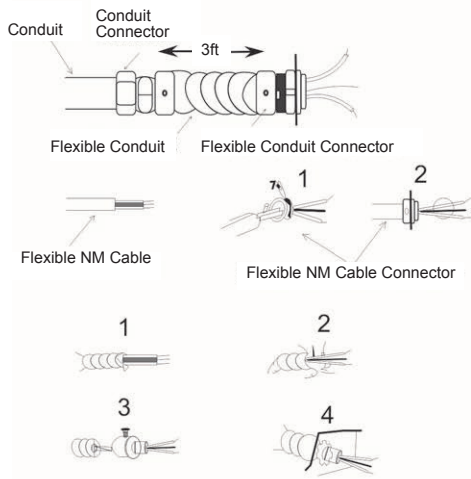
**NOTE:** All wiring must be carried out by a Certified Electrician and must be in accordance to national and local electrical codes in the United States. For certain applications, conduit may be required, See Figure 7. Check local electrical codes. If you run the wiring in conduit and wish to be able to turn the heater be sure to purchase enough flexible conduit to allow the heater to be turned.

3. Connect the wire to the power block located in the base of the heater - See Figure 7.
4. Turn on the power at the main service.

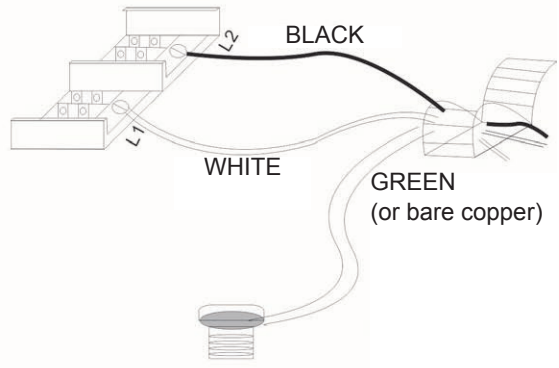
## **⚠ CAUTION**

**High temperatures – risk of fire. Keep flammable materials, such as furniture, pillows, bedding, papers, clothes and curtains at least 3 ft. (0.9 m) from the front and top of the heater and keep them away from the sides and rear. To reduce the risk of fire, do not use it in areas where gasoline, paint or flammable liquids are used or stored.**

## CONNECTING THE POWER



Connectors, cable, and hardware used to wire the heater



**Figure 7**

### **⚠ WARNING**

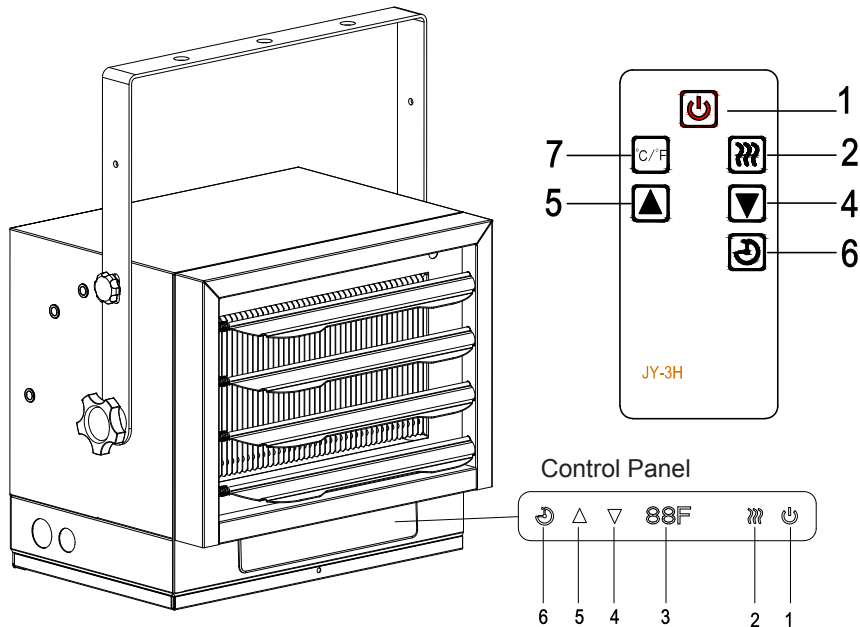
This Product can expose you to chemicals including Diisononyl phthalate (DINP) which is known to the State of California to cause cancer and Di-isodecyl phthalates (DIDP) which is known to the State of California to cause birth defects or other reproductive harm.

**For more information go to [www.p65Warnings.ca.gov](http://www.p65Warnings.ca.gov)**

## OPERATING INSTRUCTIONS

# ⚠ WARNING

The heater must be properly installed before it is used.



Check that the garage heaters outlet grill is not covered or obstructed in anyway, and make sure the power to the unit is switched on.

The garage heater control functions can be accessed in two (2) ways:

- Using the touchpad control panel, located in the upper right-hand corner of the garage heater behind the sliding control panel cover.
- Using the multifunction remote control unit.

### 1. Main Power Button:

This button supplies power to all of the garage heaters functions. It must be turned on for the garage heater to work

### 2. Heater Control Button:

This button adjusts the 3 heating stages: OFF Fa (Fan Only) LOW (5000W displays “L”), High (7500W displays “H”).

### 3. Temperature/Timer Display:

This LED display shows the set point for the temperature and timer functions. When either of these functions is activated, the display reflects the set point for five seconds and then fades to black. Any change to the set point of the temperature or timer will reactivate the display, which again fades after five seconds.

## **OPERATING INSTRUCTIONS**

### **4. DOWN Control Button:**

This button is used to decrease temperature or timer setting. It adjusts the temperature range between 20°C - 35°C (68°F - 95°F) in 2°F (/1°C) increments.

### **5. UP Control Button:**

This button is increasing temperature or timer setting. It adjusts the temperature range between 20°C - 35°C (68°F - 95°F) in 2°F (/1°C) increments.

### **6. Timer Button:**

This button controls the Timer ON/OFF and 8 settings from 1 hour to 8 hours. When the Timer is first turned on, it will come on at the shortest time setting (1 hour). Each time the Timer button is pressed, the time increases by 1 hour, up to the longest setting (8 hours). Once the set time expires, all garage heaters functions will be automatically turn off.

### **7. Fahrenheit/Celsius Button:**

#### **REMOTE:**

This button displays F (Fahrenheit) or C (Celsius) depending on how the temperature mode is set. When the garage heater is turned on, the Fahrenheit (F) temperature will be displayed.

#### **GARAGE HEATER :**

To switch from Fahrenheit to Celsius, or vise-versa, when the garage heater is ON, hold HEATER CONTROL button for 5 seconds. Unless power to the unit has been interrupted, the garage heater will remember the last temperature mode setting will start at that setting,

## MAINTENANCE

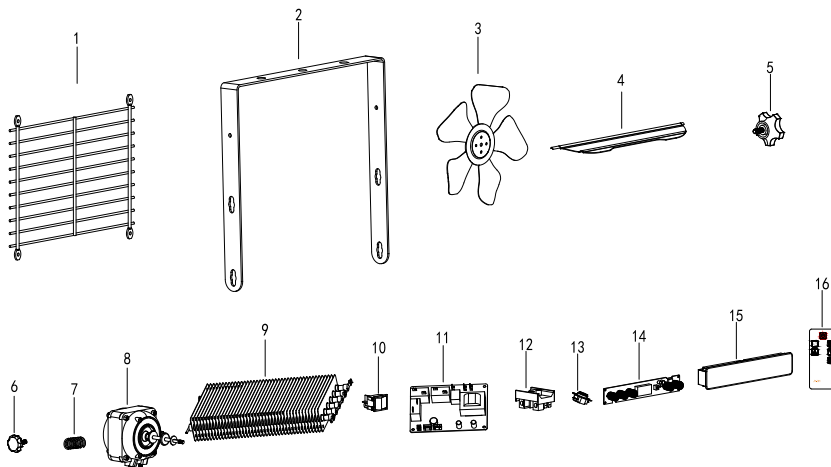
### **MAINTENANCE AND CLEANING**

1. Before cleaning, make sure the power has been turned off at the circuit breaker panel and that the heating element of the heater is cool.
2. To maintain the external appearance of the heater, the unit occasionally needs to be wiped with a dry duster. During the summer months, or at other times when the appliance is not in use and is completely cold, it should be wiped over with a damp cloth.
3. Do not use abrasive clearing powders or furniture polish. Do not use chemical or abrasive products, metallic scourers and so on, which may deteriorate the surface, to clean the appliance.
4. During the summer months, or at other times when the appliance is not in use, disconnect the power supply, and cover the whole appliance with a dustcloth. Moreover, keep the appliance in a dry and cool place.
5. All other servicing should be performed by qualified service personnel. Do not try to repair the heater yourself.

## REPLACEMENT PARTS

Part	Description	Part#
1	Back mesh	EG5000001AC
2	Hanging plate	EG5000002AC
3	Fan Blade	EG5000003AC
4	Air guide plate	EG5000004AC
5	Large handle seat	EG5000005AC
6	Small handle seat	EG5000006AC
7	Spring	EG5000007AC
8	Motor	EG5000008AC

Part	Description	Part#
9	Heater	EG7500001AC
10	Selection Switch	EG5000011AC
11	Main Board	EG7500DH001AC
12	Terminal block	EG5000014AC
13	Temperature CUT-OFF	EG5000017AC
14	Control Panel Circuit Board	EG7500DH002AC
15	Control Panel box	EG7500DH003AC
16	Infrared Remote Control	EG7500DH004AC



# Warranty

## LIMITED WARRANTY:

This limited warranty is extended to the original retail purchaser of this Forced Air/Convection/Radiant Heater and warrants against any defect in materials and workmanship for a period of one (1) year from the date of retail sale. GHP Group, Inc., at its option, will either provide replacement parts or replace or repair the unit, when properly returned to the retailer where purchased or one of our service centers as directed by GHP Group, Inc., within one (1) year of retail purchase. (Shipping costs, labour costs, etc. are the responsibility of the purchaser.)

## DUTIES OF THE OWNER:

This heating appliance must be operated in accordance with the written instructions furnished with this heater. This warranty shall not excuse the owner from properly maintaining this heater in accordance with the written instructions furnished with this heater. A bill of sale, canceled check or payment record must be kept to verify purchase data and establish warranty period. Original carton should be kept in case of warranty return of unit.

## WHAT IS NOT COVERED:

1. Damage resulting from use of improper fuel.
2. Damage caused by misuse or use contrary to the owners manual and safety guidelines.
3. Damage caused by a lack of normal maintenance.
4. Fuses
5. Use of non-standard parts or accessories.
6. Damage caused in transit. Freight charges on warranty parts or heaters to and from the factory shall be the responsibility of the owner.

This warranty does not imply or assume any responsibility for consequential damages that may result from the use, misuse, or the lack of routine maintenance of this heating appliance. A cleaning fee and the cost of parts may be charged for appliance failures resulting from lack of maintenance. This warranty does not cover claims which do not involve defective workmanship or materials. **FAILURE TO PERFORM GENERAL MAINTENANCE (INCLUDING CLEANING) WILL VOID THIS WARRANTY.**

THIS LIMITED WARRANTY IS GIVEN TO THE PURCHASER IN LIEU OF ALL OTHER WARRANTIES, EXPRESSED OR IMPLIED, INCLUDING BUT NOT LIMITED TO THE WARRANTIES OF MERCHANTABILITY OF FITNESS FOR A PARTICULAR PURPOSE. THE REMEDY PROVIDED IN THIS WARRANTY IS EXCLUSIVE AND IS GRANTED IN LIEU OF ALL OTHER REMEDIES. IN NO EVENT WILL GHP GROUP, INC. BE LIABLE FOR INCIDENTAL OR CONSEQUENTIAL DAMAGES.

Some states do not allow limitations on how long an implied warranty lasts, so the above limitation may not apply to you. Some states do not allow the exclusion or limitation of incidental or consequential damages so the above limitation or exclusion may not apply to you.

## CLAIMS HANDLED AS FOLLOWS:

1. Contact your retailer and explain the problem.
2. If the retailer is unable to resolve the problem, contact our Customer Service Dept. detailing the heater model, the problem, and proof of date of purchase.
3. A representative will contact you. DO NOT RETURN THE HEATER TO GHP GROUP, INC. unless instructed by our Representative. This warranty gives you specific legal rights and you may also have other rights which vary from state to state.

TO REGISTER THE WARRANTY ON YOUR HEATER, PLEASE FILL OUT THIS CARD COMPLETELY AND MAIL WITHIN 14 DAYS FROM DATE OF PURCHASE OR REGISTER ON-LINE AT [www.ghpgroupinc.com](http://www.ghpgroupinc.com)

NAME: \_\_\_\_\_ PHONE: (    ) \_\_\_\_\_ EMAIL: \_\_\_\_\_  
ADDRESS: \_\_\_\_\_ CITY: \_\_\_\_\_ STATE: \_\_\_\_\_ ZIP: \_\_\_\_\_  
MODEL: \_\_\_\_\_ SERIAL#: \_\_\_\_\_ DATE PURCHASED: \_\_\_\_\_  
DEALER PURCHASED FROM: \_\_\_\_\_ TYPE OF STORE: \_\_\_\_\_  
CITY & STATE WHERE PURCHASED: \_\_\_\_\_ PRICE PAID: \_\_\_\_\_

**Please Take 1 Minute To Give Us Your Answers To The Following Questions.  
All Responses Used Solely For Market Research And Are Held In Strict Confidence.**

Who primarily decided this purchase?  Male  Female  18-24  25-39  40-59  60 and over of age?  
Do you own any other portable heaters?  Yes  No If yes, type \_\_\_\_\_ brand \_\_\_\_\_  
How do you intend to use your new heater?  Construction Site  Farm  Warehouse/Commercial  Garage/Outbuilding  Other  
How did you become aware of this heater?  In-Store Display  Newspaper Ad  Magazine Ad  Friend/Relative  
 TV Commercial  Store Salesperson  Other \_\_\_\_\_  
What made you select this heater?  Style  Size/Portability  Price  Package  Brand  Other \_\_\_\_\_  
Do you:  Own  Rent Would you recommend this heater to a friend?  Yes  No  
Please give us your comments \_\_\_\_\_

THANK YOU FOR COMPLETING THIS FORM!  
Information will be held confidential.

## WARRANTY REGISTRATION

**IMPORTANT:** We urge you to fill out your warranty registration card within fourteen (14) days of date of purchase. You can also register your warranty on the internet at [www.ghpgroupinc.com](http://www.ghpgroupinc.com). Complete the entire serial number. Retain this portion of the card for your records.



**GHP Group, Inc.**  
6440 W Howard St  
Niles, IL 60714-3302

Tel: (877) 447-4768  
[www.ghpgroupinc.com](http://www.ghpgroupinc.com)

**SAVE THIS CARD!**

Place  
Postage  
Stamp  
Here

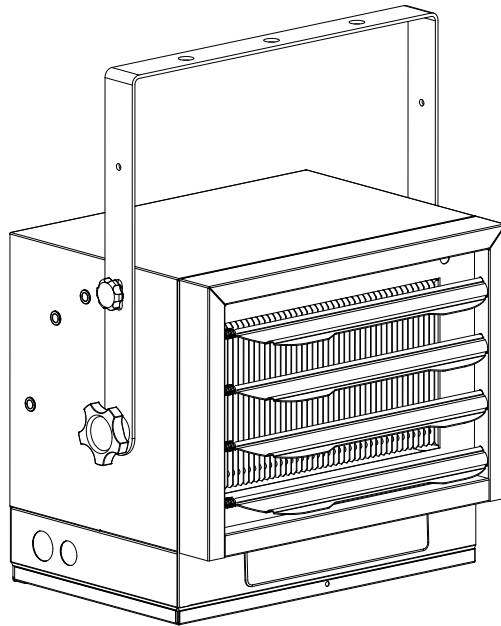
**GHP Group, Inc.**  
6440 W Howard St  
Niles, IL 60714-3302







Calefactor eléctrico resistente de  
uso general Modelo: EG7500DH  
**MANUAL DE INSTRUCCIONES**



MODELO: **EG7500DH**



Antes de utilizar por primera vez este calentador, lea este MANUAL DEL USUARIO atentamente. Este MANUAL DEL USUARIO ha sido diseñado para instruirle la forma adecuada de ensamblar el calentador, brindarle mantenimiento, guardarlo y lo más importante: cómo hacerlo funcionar de manera segura y eficaz. Conserve este manual para referencia futura.

**CONSUMIDOR: Conserve este manual para referencia futura.**

¿Preguntas, problemas, partes faltantes? Antes de regresar al distribuidor, llame a nuestro departamento de servicio al 877-447-4768 de 8:30 a.m. a 4:30 p.m. hora estándar del centro, de lunes a viernes o envíenos un correo electrónico a [customerservice@ghpgroupinc.com](mailto:customerservice@ghpgroupinc.com).

# INSTRUCCIONES IMPORTANTES

Al usar electrodomésticos, siempre se deben respetar las precauciones básicas para reducir el riesgo de incendio, choques eléctricos y lesiones personales, incluidas las siguientes:

1. Lea todas las instrucciones antes de instalar o usar este calefactor.
2. Este calefactor se calienta cuando está en uso. Para evitar quemaduras, no toque las superficies calientes con la piel descubierta. Mantenga los materiales combustibles, como muebles, almohadas, ropa de cama, papeles, vestimenta, cortinas, etc. a una distancia mínima de 3 pies (0,90 m) de la parte frontal del calefactor, y alejados de los laterales y de la parte trasera.
3. Se debe tener sumo cuidado al usar calefactores junto a niños o personas inválidas, o cerca de ellos, y en todo momento en que el calefactor se deje prendido y desatendido.
4. Siempre desconecte la alimentación al calefactor cuando no esté en uso.
5. No ponga en funcionamiento ningún calefactor después de que haya fallado. Desconecte la alimentación en el panel de servicio eléctrico y haga revisar el calefactor por un electricista profesional antes de volver a utilizarlo.
6. No lo utilice al aire libre.
7. Este calefactor no está diseñado para usarse en baños, lavaderos o lugares cubiertos similares. No ubique el calefactor en un lugar donde pueda caerse dentro de una bañera u otro contenedor de agua.
8. No inserte ni permita que ingresen objetos extraños en ninguna abertura de ventilación o escape porque podrían provocar un choque eléctrico, un incendio o daños en el calefactor.
9. Para evitar posibles incendios, no bloquee las tomas de aire ni el conducto de escape de ninguna manera. No haga funcionar el calefactor sobre superficies blandas, como una cama, donde las aberturas puedan bloquearse.
10. El calefactor contiene piezas internas que se calientan, forman arcos eléctricos o generan chispas. No lo use en áreas donde se utilice o se guarde gasolina, pintura o líquidos inflamables.
11. Utilice este calefactor solo como se describe en este manual. Otros usos no recomendados por el fabricante podrían provocar incendios, choques eléctricos o lesiones personales.

**ADVERTENCIA PARA DUEÑOS DE MASCOTAS:** Algunas mascotas pequeñas, incluidos los pájaros, son muy sensibles a la exposición de los humos que se producen durante el uso de electrodomésticos por primera vez. Estos humos no son dañinos para los seres humanos, pero le recomendamos que no utilice el calefactor cerca de pájaros y mascotas pequeñas durante el primer uso de la unidad hasta que los recubrimientos anticorrosivos se quemem por completo.

## GUARDE ESTAS INSTRUCCIONES.

## CONTENIDO

<b>ARTÍCULO</b>	<b>PÁGINA</b>
PRECAUCIONES - GUÍA DE SEGURIDAD.....	19
1. DESCRIPCIÓN .....	19
2. ESPECIFICACIONES .....	19
3. INFORMACIÓN GENERAL SOBRE SEGURIDAD.....	19
4. UBICACIÓN DEL CALEFACTOR.....	20
5. PRE-INSTALACIÓN .....	21
6. INSTALACIÓN.....	22
7. INSTRUCCIONES DE USO.....	27
8. MANTENIMIENTO Y LIMPIEZA .....	29

### **DESCRIPCIÓN**

Este calentador eléctrico de garaje es la solución de calefacción ideal para su garaje, almacén o taller con sus 2 configuraciones de calor, montaje en el techo práctico y ahorrador de espacio y termostato ajustable.

### **ESPECIFICACIONES**

Índice	Amperios	BTU/hora
7500W II 240-1-60	31.25	22589
5000W I 240-1-60	20.9	17065

### **INFORMACIÓN GENERAL SOBRE SEGURIDAD**

#### **⚠ ADVERTENCIA**

**Este calefactor requiere una instalación cableada fija (sin enchufe). A la instalación la debe realizar un electricista certificado y se debe efectuar de conformidad con todos los códigos locales y nacionales de electricidad. NOTA: Compatible con un termostato de pared bipolar con tensión de línea de 240 V. Debe ser instalado por un electricista certificado.**

#### **⚠ ADVERTENCIA**

**Lea y comprenda todas las instrucciones de instalación y funcionamiento, y respete todas las instrucciones de seguridad.**

1. Utilice solo cables de cobre calificados para 60°C como mínimo.
2. El flujo de aire del calefactor se debe orientar de modo que quede paralelo a la pared adyacente o en dirección contraria a ella.
3. Respete los requisitos de espacio libre hacia la pared, el piso y el techo.
4. Todo el cableado se debe realizar de conformidad con los códigos nacionales y locales de electricidad de Estados Unidos y el calefactor debe estar conectado a tierra como precaución contra posibles choques eléctricos. El circuito del calefactor se debe proteger con fusibles apropiados.
5. La estructura de montaje y la tornillería de anclaje deben poder soportar de modo confiable el peso del calefactor y del soporte de montaje, si se lo utiliza.

## INFORMACIÓN GENERAL SOBRE SEGURIDAD

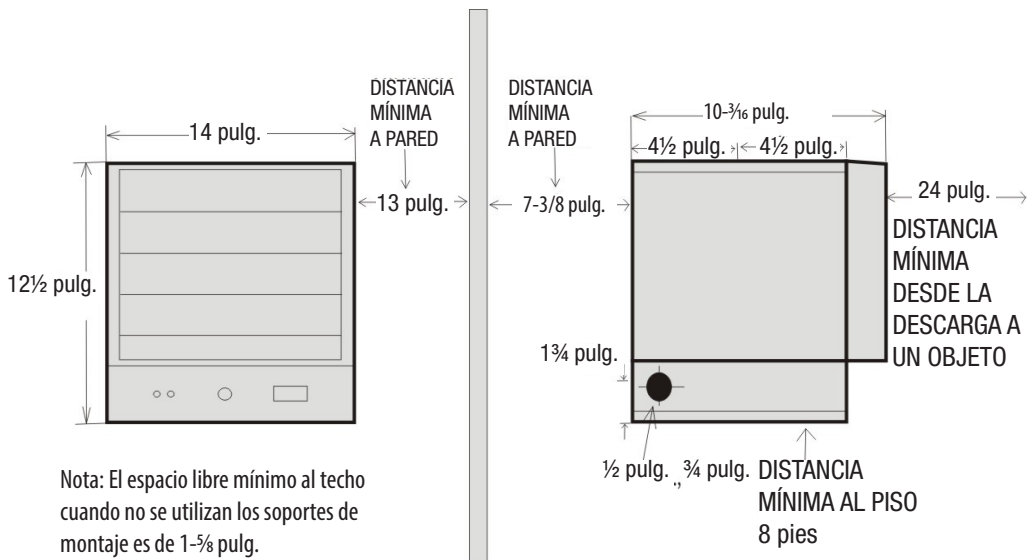
6. Se debe desconectar la alimentación eléctrica y bloquear la caja de servicio eléctrico antes de inspeccionar el calefactor, limpiarlo o realizarle mantenimiento. Esta es una precaución para evitar choques eléctricos graves.
7. Este calefactor no es apropiado para utilizarlo en ubicaciones peligrosas tal como las define la Asociación Nacional de Protección contra Incendios (NFPA, por su sigla en inglés) de Estados Unidos. El calefactor contiene piezas internas que se calientan, forman arcos eléctricos o generan chispas. No lo use en áreas donde se utilice o se guarde gasolina, pintura o líquidos inflamables.
8. Este calefactor no es apropiado para utilizarlo en atmósferas corrosivas, como zonas marinas, invernaderos o áreas de almacenamiento de productos químicos.
9. Este calefactor debe estar ubicado a 8 pies del piso, como mínimo.

## ⚠ ADVERTENCIA

**Instalar incorrectamente o no respetar los procedimientos descritos en este manual de instrucciones puede dar lugar a choques eléctricos graves.**

## UBICACIÓN DEL CALEFACTOR

Instale el calefactor fuera de las zonas de tránsito y mantenga los espacios libres indicados en la figura 2. La dirección del flujo de aire no debe estar restringida por columnas o máquinas. El flujo de aire solo debe rozar las paredes y no dirigirse directamente a ellas. Cuando se utiliza más de un calefactor en un área, los calefactores se deben disponer de modo que la descarga de aire de cada uno acompañe el flujo de aire de los otros para proporcionar una circulación óptima de aire caliente, como se indica en la figura 3.



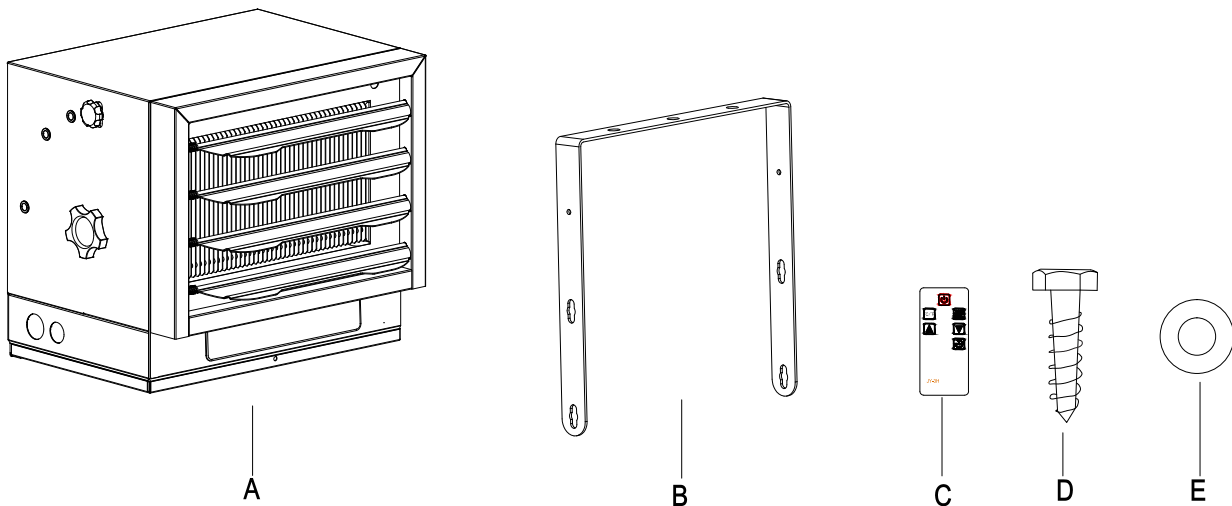
**Figura 2**

ALTURA MÁXIMA DE MONTAJE DESDE:  
Unidad para proporcionar aire vertical = 11 pies  
Unidad para proporcionar aire horizontal = 8 pies

VISTA LATERAL



## PRE-INSTALACIÓN



Parte	Descripción	Cantidad
A	Calentador de garaje	1
B	Soporte de montaje	1
C	Control remoto infrarrojo	1
D	Tornillo	3
E	Arandela	6

## UBICACIÓN DEL CALEFACTOR

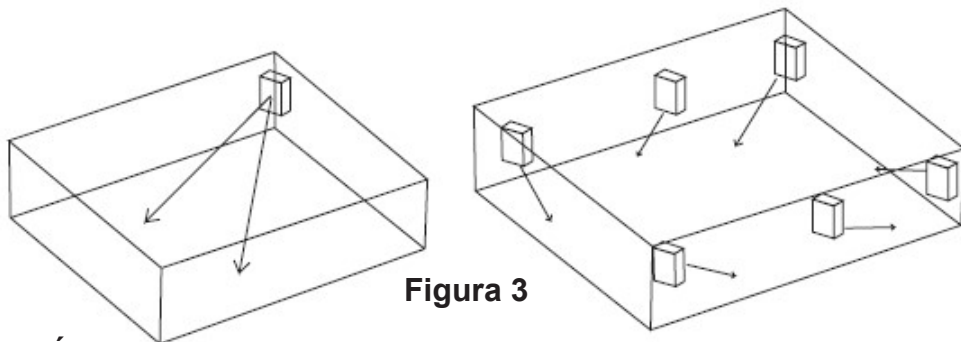


Figura 3

## INSTALACIÓN

### **MONTAR EL SOPORTE**

Consulte las figuras 4a y 4b.

1. Localice un montante de madera en la viga del techo de madera. Si no puede localizarlo, debe instalar una pieza de madera en el techo porque el calefactor se debe sujetar de forma segura.
2. Retire el soporte de montaje de la unidad calefactora; para esto, afloje los tornillos del soporte con una llave y deslice la manija por afuera y por encima de las cabezas de los tornillos.
3. Coloque una arandela en los tornillos antes de insertarlos a través de los orificios del soporte de montaje y atorníllelos firmemente en la viga del techo.

**NOTA:** Si desea que el calefactor gire hacia la derecha o hacia la izquierda, se recomienda agregar una arandela a ambos lados del soporte. Es posible que se necesite un tirafondo más largo para sujetar la unidad correctamente. Consulte la figura 4a.

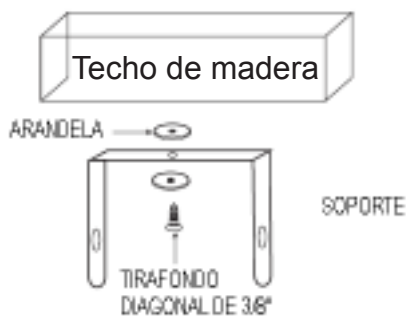


Figura 4a. Montaje de un solo tornillo

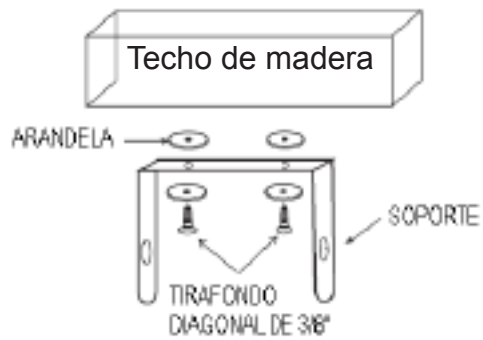


Figura 4b. Montaje de dos tornillo

### **COLGAR EL CALEFACTOR**

- 1) Fije la unidad calefactora al soporte de montaje.
- 2) Eleve el calefactor y colóquelo en el soporte de montaje.
- 3) Alinee los tornillos del soporte con las ranuras tipo bocallave del soporte de montaje.
- 4) Si se desea que el calefactor esté en posición inclinada, se deben utilizar las ranuras tipo bocallave para posicionarlo correctamente; consulte la figura 5.
- 5) Ajuste los tornillos del soporte con una llave para que la unidad quede suspendida firmemente en el nivel horizontal o vertical.

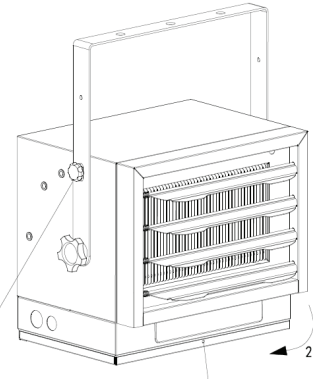
## AJUSTAR LA DIRECCIÓN DEL FLUJO DE AIRE

1. Para girar la unidad, cuando esta se ha instalado con un solo tirafondo (como se muestra en la figura 4a), simplemente gire todo el calefactor según sea necesario. La unidad no se puede girar en sentido horizontal si se instaló con 2 tirafondos.
2. Para inclinar la unidad verticalmente, afloje los tornillos del soporte (consulte la figura 5).

**NOTA:** Las rejillas están diseñadas para que no se puedan cerrar por completo. No intente hacerlo porque puede dañar la unidad.

Figura 5

UTILICE LAS RANURAS SUPERIORES TIPO BOCALLAVE SI ES CALEFACTOR SE VA A INCLINAR HACIA ABAJO



QUITE EL TORNILLO PARA ABRIR LA PUERTA

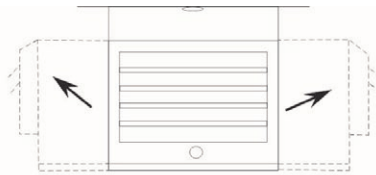


Figura 6

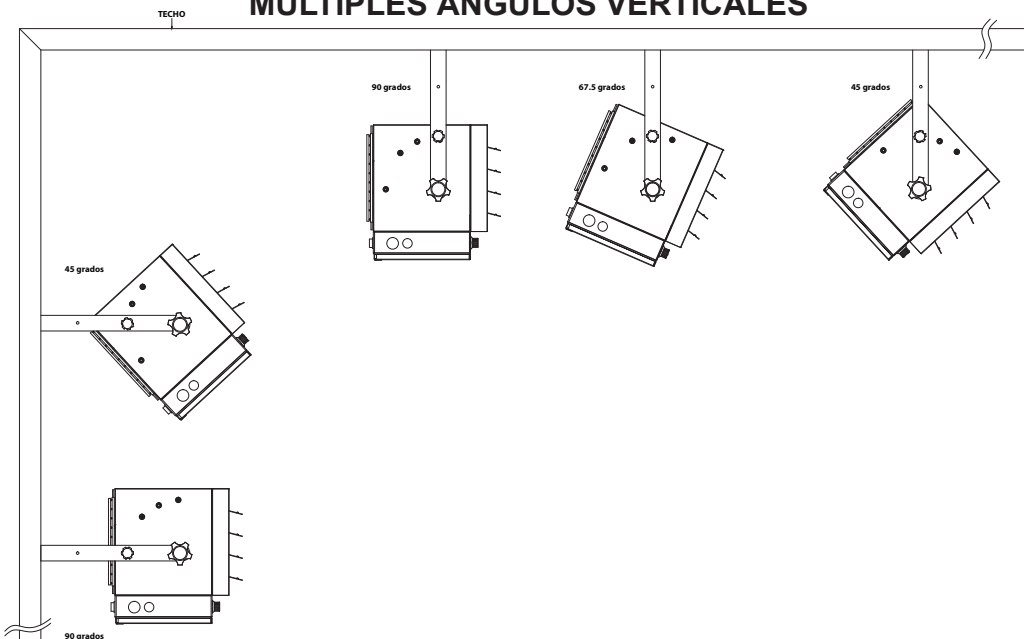
3. Ajuste las rejillas a la posición deseada (consulte la figura 6).

**NOTA:** Las rejillas están diseñadas para que no se puedan cerrar por completo. No intente hacerlo porque puede dañar la unidad.

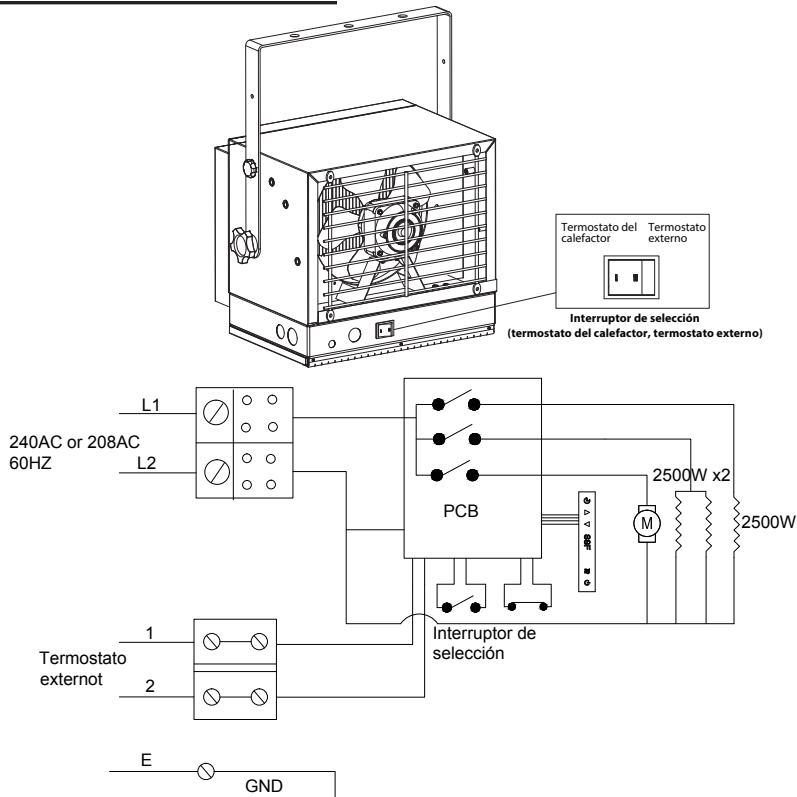
## ⚠ ADVERTENCIA

Para evitar posibles choques eléctricos, desconecte la alimentación al calefactor en la caja de servicio eléctrico antes de intentar ajustar la salida de calor de la unidad.

## MÚLTIPLES ÁNGULOS VERTICALES

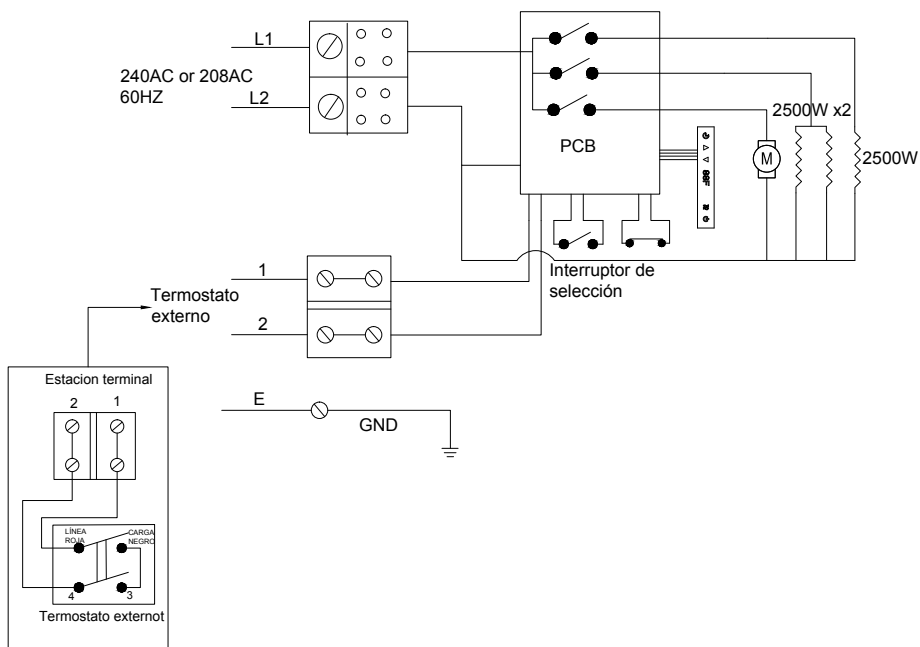


# CONEXIÓN DE LA ALIMENTACIÓN



**Si utiliza un control de temperatura externo (termostato externo) para detener o activar el calefactor, siga los puntos de atención que se detallan a continuación:**

1. Asegúrese de que la perilla de control de temperatura del calefactor (perilla del termostato) esté totalmente girada en el sentido de las agujas del reloj.
2. Conecte el cable según el diagrama de cableado a continuación.





## **CONEXIÓN DE LA ALIMENTACIÓN**

3. El control de temperatura externo (termostato externo) debe cumplir con los requisitos de UL o las normas de ETL.
4. El cable principal del control de temperatura externo (termostato externo) no puede ser de un calibre inferior a 14 AWG.

### **PARA PROTEGER EL ELEMENTO CALEFACTOR**

Cuando encienda el calefactor, gire el control de temperatura en el sentido de las agujas del reloj lentamente, hasta el final; la unidad primero arrancará el ventilador y luego el elemento calefactor.

Cuando apague el calefactor, al girar el control de temperatura en sentido contrario a las agujas del reloj lentamente, hasta la posición de apagado, la unidad primero apagará el elemento calefactor y luego el ventilador.

## **⚠ ADVERTENCIA**

**Advertencia: Este electrodoméstico debe estar conectado a tierra.**

## **⚠ ADVERTENCIA**

**Advertencia: Antes de conectar este electrodoméstico al suministro de alimentación, la unidad debe estar conectada a un circuito o un dispositivo de protección de corriente de 50 A o menos.**

1. Quite el tornillo del frente de la unidad para conectar la alimentación al calefactor.
2. Fije los conectores de cables a la unidad (consulte la figura 6) y deslice el cable de calibre 10 a través de este conector de cables.

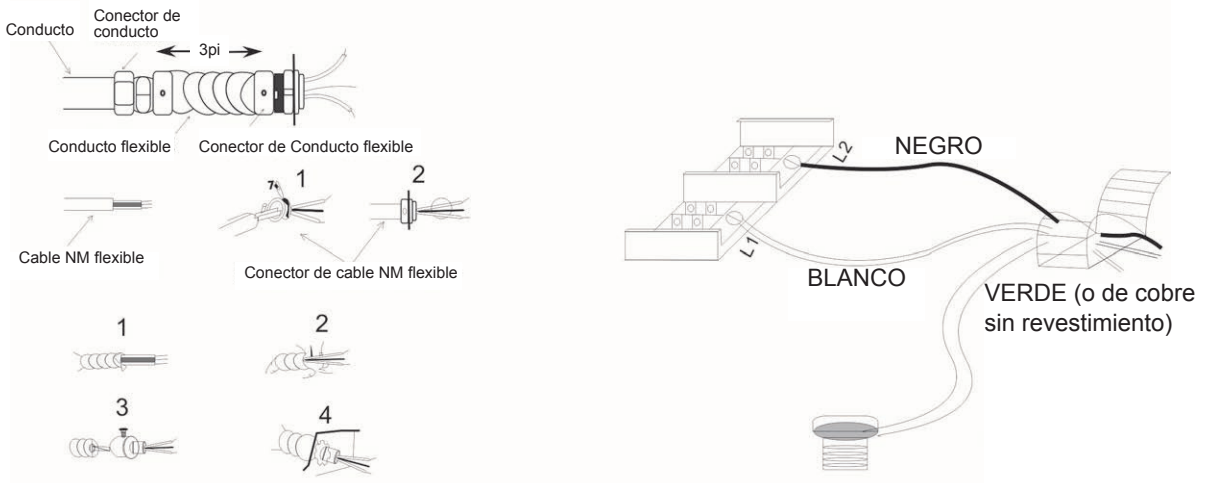
**NOTA:** A todo el cableado lo debe realizar un electricista certificado y se debe efectuar de conformidad con los códigos nacionales y locales de electricidad de Estados Unidos. Es posible que se necesiten conductos en el caso de determinadas aplicaciones; consulte la figura 6. Verifique los códigos locales de electricidad. Si se tiende el cableado en conductos y se desea girar el calefactor, asegúrese de comprar una cantidad suficiente de conducto flexible que permita girar el calefactor.

3. Conecte el cable al bloque de terminales de alimentación ubicado en la base del calefactor; consulte la figura 7.
4. Conecte la alimentación en la caja de servicio eléctrico.

## **⚠ PRECAUCIÓN**

**Temperaturas elevadas: riesgo de incendio. Mantenga los materiales combustibles, como muebles, almohadas, ropa de cama, papeles, vestimenta y cortinas, a una distancia mínima de 3 pies (0,90 m) de la parte frontal y superior del calefactor, y alejados de los laterales y de la parte trasera. Para reducir el riesgo de incendio, no lo use en áreas donde se utilice o se guarde gasolina, pintura o líquidos inflamables.**

## CONEXIÓN DE LA ALIMENTACIÓN



Conectores, cable y demás elementos utilizados para el cableado del calefactor

Figura 7

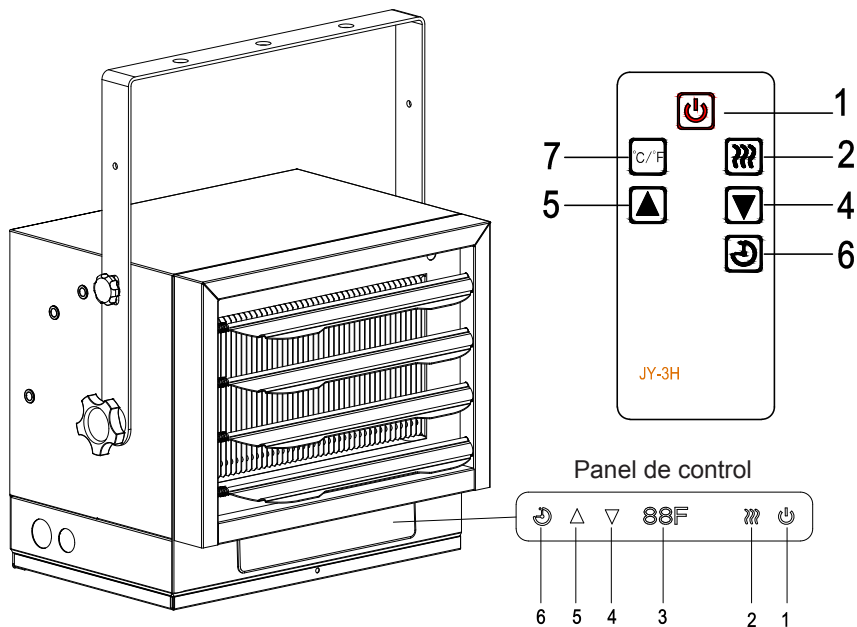
### **⚠ ADVERTENCIA**

Este producto puede exponerlo a usted a agentes químicos incluyendo ftalato de diisononilo (DINP), reconocido por el estado de California como causante de cáncer, así como ftalatos de diisodocilo (DIDP), reconocidos por el estado de California como causantes de defectos congénitos y otros daños al sistema reproductor.

**Para obtener más información, visite [www.p65Warnings.ca.gov](http://www.p65Warnings.ca.gov)**

# ⚠ ADVERTENCIA

Antes de su uso, el calefactor se debe instalar correctamente.



Revise que la parrilla de salida del calefactor de garaje no esté tapada ni obstruida de ninguna manera, y asegúrese de que la unidad esté encendida.

El calefactor de garaje se puede acceder de dos maneras:

- Usando el panel de control táctil o usando la unidad de control remoto multifunción.
- Pulse el botón apropiado para poner en marcha el calefactor de garaje.

### **1. Botón de encendido principal:**

Este botón suministra energía para todas las funciones del calefactor de garaje. Debe estar encendido para que funcione el calefactor de garaje.

### **2. Botón de control del calefactor:**

Es el botón de control de calentamiento operado manualmente, el cual ajusta las etapas de calentamiento: APAGADO, Vent (sólo ventilador), BAJO (5000 W muestra B), Alto (7500 W muestra A).

### **3. Pantalla de temperatura/temporizador:**

Esta pantalla LED muestra el punto de temperatura establecido y las funciones del temporizador. Cuando se activa alguna de estas funciones, la pantalla muestra el punto establecido durante cinco segundos y luego se oscurece completamente. Cualquier cambio en la temperatura o temporizador reactivará la pantalla, la cual se oscurece nuevamente después de cinco segundos.

## **OPERATING INSTRUCTIONS**

### **4. Botón de control ABAJO:**

Este botón se usa para reducir la temperatura o el tiempo, ajustando el rango de temperatura entre 20°C y 35°C (68°F y 95°F), es decir, cada etapa reduce 2°F (/1°C).

### **5. Botón de control ARRIBA:**

Este botón se usa para aumentar la temperatura o el tiempo, ajustando el rango de temperatura entre 20°C y 35°C (68°F y 95°F), es decir, cada etapa aumenta 2°F (/1°C).

### **6. Botón de temporizador:**

Este botón controla el ENCENDIDO/APAGADO y la configuración de 8 tiempos desde 1 hora hasta 8 horas. Cuando el temporizador se encienda por primera vez, lo hará con la configuración de tiempo más baja (1 hora). Cada vez que se pulse el botón del temporizador, el tiempo aumentará 1 hora hasta la configuración más alta (8 horas). Una vez que haya transcurrido el tiempo, todas las funciones del calefactor de garaje se apagarán automáticamente.

### **7. Botón Fahrenheit/Celsius:**

#### **REMOTO:**

Este botón muestra °F (Fahrenheit) o °C (Celsius) dependiendo de cómo esté configurado el modo de temperatura. Cuando el calefactor de garaje se encienda, se mostrará la temperatura en Fahrenheit.

#### **CALEFACTOR DE GARAJE:**

Para cambiar de Fahrenheit a Celsius, o viceversa, cuando el calefactor de garaje esté encendido, mantenga pulsado el botón de CONTROL DEL CALEFACTOR durante 5 segundos. El calefactor de garaje recordará la última configuración del modo de temperatura, y la próxima vez la pantalla se encenderá con esa configuración a menos que se haya interrumpido el suministro eléctrico a la unidad.

## **INSTRUCCIONES DE MANTENIMIENTO**

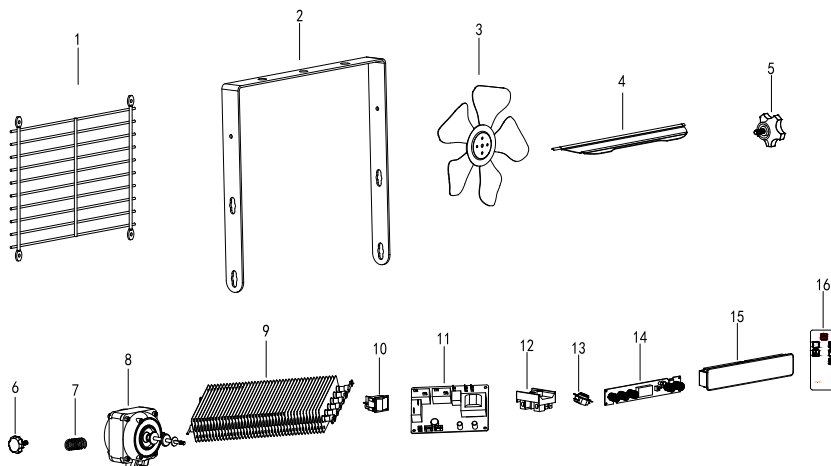
### **MANTENIMIENTO Y LIMPIEZA**

1. Antes de realizar una limpieza, asegúrese de que la alimentación haya sido desconectada en el panel de interruptores de circuito y de que el elemento calefactor esté frío.
2. En cuanto al mantenimiento del aspecto externo del radiador, solo se necesita repasar, de vez en cuando, la superficie utilizando un paño seco. El mejor momento para repasar la unidad con un paño húmedo es cuando el electrodoméstico está completamente frío, y esto ocurre en los meses de verano o en otras oportunidades en que no se lo utiliza por tiempo prolongado.
3. No utilice polvos de limpieza abrasivos ni cera para muebles. Para limpiar el electrodoméstico, no utilice productos químicos ni abrasivos, ni estropajos metálicos que podrían dañar la superficie.
4. Durante los meses de verano o en otras oportunidades en que no se utilice el electrodoméstico, desconecte el suministro de alimentación y cubra la unidad con un paño antipolvo. Además, guarde el electrodoméstico en un lugar seco y fresco.
5. Todos los demás servicios de mantenimiento deben ser realizados por técnicos calificados. No intente reparar el calefactor usted mismo.

### **PIEZAS DE REPUESTO**

Pieza	Descripción	No. de pieza
1	Rejilla trasera	EG5000001AC
2	Placa de suspensión	EG5000002AC
3	Aspa del ventilador	EG5000003AC
4	Placa de conducción de aire	EG5000004AC
5	Manija grande	EG5000005AC
6	Manija pequeña	EG5000006AC
7	Resorte	EG5000007AC
8	Motor	EG5000008AC

Pieza	Descripción	No. de pieza
9	Calentador	EG7500001AC
10	Interruptor de selección	EG5000011AC
11	Tablero principal	EG7500DH001AC
12	Bloque de terminales	EG5000014AC
13	Corte de temperatura	EG5000017AC
14	Panel de circuito del panel de control	EG7500DH002AC
15	Caja del panel de control	EG7500DH003AC
16	Control remoto infrarrojo	EG7500DH004AC



# GARANTÍA

## GARANTÍA LIMITADA:

Esta garantía limitada se extiende al comprador minorista original de este calefactor de aire forzado/convección/radiante, que está garantizado contra defectos de materiales y mano de obra por un período de un (1) año a partir de la fecha de la venta minorista (garantía de por vida solo para el quemador con boquilla de bronce). GHP Group, Inc., a su discreción, proporcionará las piezas de repuesto o reparará la unidad, cuando esta sea devuelta a la tienda minorista donde se compró o a uno de nuestros centros de servicio, según lo indique GHP Group, Inc., dentro de un período de un (1) año a partir de la compra minorista. (Los costos de envío, los costos de mano de obra, etc. son responsabilidad del comprador).

## OBLIGACIONES DEL PROPIETARIO:

Este artefacto de calefacción se debe utilizar de acuerdo con las instrucciones escritas incluidas con el calefactor. Esta garantía no eximirá al propietario del mantenimiento adecuado del calefactor de acuerdo con las instrucciones escritas incluidas con el calefactor. Se debe conservar la factura de compra, el cheque cobrado o el registro de pago para verificar la fecha de compra y establecer el período de la garantía. Se debe conservar la caja original en caso de que se desee devolver la unidad en garantía.

## QUÉ NO CUBRE:

1. Daños ocasionados por el uso del combustible incorrecto.
2. Daños ocasionados por el uso indebido o contrario al manual del propietario y a las pautas de seguridad.
3. Daños ocasionados por la falta de mantenimiento normal.
4. Fusibles
5. Uso de piezas o accesorios no estándar.
6. Daños ocasionados en el traslado. Los cargos de flete para las piezas o los calefactores en garantía trasladados hacia o desde la fábrica serán responsabilidad del propietario.

Esta garantía no implica ni asume ninguna responsabilidad de daños indirectos que se podrían ocasionar por el uso, el uso indebido o la falta de mantenimiento habitual de este artefacto de calefacción. Se podría cobrar una tarifa por limpieza y el costo de las piezas en caso de que las fallas del artefacto se ocasionaran por falta de mantenimiento. Esta garantía no cubre reclamos que no estén relacionados con la mano de obra o materiales defectuosos. **SI NO SE REALIZA MANTENIMIENTO GENERAL (INCLUIDA LA LIMPIEZA), LA GARANTÍA QUEDARÁ ANULADA.**

ESTA GARANTÍA LIMITADA SE OTORGA AL COMPRADOR EN REEMPLAZO DE TODAS LAS OTRAS GARANTÍAS, EXPRESAS O IMPLÍCITAS, INCLUIDAS, ENTRE OTRAS, LAS GARANTÍAS DE COMERCIABILIDAD E IDONEIDAD PARA UN FIN DETERMINADO. EL RECURSO PROPORCIONADO EN ESTA GARANTÍA ES EXCLUSIVO Y SE OTORGA EN REEMPLAZO DE TODOS LOS OTROS RECURSOS. EN NINGÚN CASO, GHP GROUP, INC. SERÁ RESPONSABLE DE NINGÚN DAÑO INCIDENTAL O INDIRECTO.

Algunos estados no permiten limitaciones por el tiempo que dura una garantía implícita. Por lo tanto, es posible que la limitación mencionada no se aplique en su caso. Algunos estados no permiten la exclusión o limitación de daños incidentales o indirectos. Por lo tanto, es posible que la limitación o exclusión mencionada no se aplique en su caso.

## LOS RECLAMOS SE APLICAN DE LA SIGUIENTE MANERA:

1. Comuníquese con la tienda y explique el problema.
2. Si en la tienda no pueden resolver el problema, comuníquese con nuestro Departamento de servicio al cliente detallando el modelo del calefactor, el problema y el comprobante de la fecha de compra.
3. Un representante se podrá en contacto con usted. NO DEVUELVA EL CALEFACTOR A GHP GROUP, INC. a menos que se lo haya indicado el representante. Esta garantía otorga derechos legales específicos, y podría haber otros derechos aplicables según el estado.

PARA REGISTRAR LA GARANTÍA DE SU CALEFACTOR, COMPLETE ESTA TARJETA  
Y ENVÍELA POR CORREO DENTRO DE LOS 14 DÍAS A PARTIR DE LA FECHA DE COMPRA O REGÍSTRELA EN LÍNEA EN [www.ghpgroupinc.com](http://www.ghpgroupinc.com).

NOMBRE: \_\_\_\_\_ TELÉFONO: \_\_\_\_\_ CORREO ELECTRÓNICO: \_\_\_\_\_

DIRECCIÓN: \_\_\_\_\_ CIUDAD: \_\_\_\_\_ ESTADO: \_\_\_\_\_ CÓDIGO POSTAL: \_\_\_\_\_

MODELO: \_\_\_\_\_ N.º DE SERIE: \_\_\_\_\_ FECHA DE COMPRA: \_\_\_\_\_

DISTRIBUIDOR DONDE REALIZÓ LA COMPRA: \_\_\_\_\_ TIPO DE TIENDA: \_\_\_\_\_

CIUDAD Y ESTADO DONDE REALIZÓ LA COMPRA: \_\_\_\_\_ PRECIO ABONADO: \_\_\_\_\_

### Tómese un minuto para responder las siguientes preguntas.

Todas las respuestas se utilizan exclusivamente para investigación de mercado y se mantiene estrictamente la confidencialidad de la información.

¿Quién decidió principalmente esta compra?  Masculino  Femenino  18-24  25-39  40-59  60 o más

¿Objetivo de la compra? \_\_\_\_\_

¿Posee alguno de los otros calefactores portátiles?  Sí  No Si la respuesta es afirmativa, tipo \_\_\_\_\_ marca \_\_\_\_\_

¿Cómo pretende utilizar su calefactor nuevo?  Obra en construcción  Finca  Almacén/comercio  Garaje/edificación anexa  Otro

¿Cómo se enteró de este calefactor?  En la vidriera de una tienda  Anuncio publicitario en un periódico  Anuncio publicitario en una revista

Amigo/familiar  Comercial en televisión  Vendedor de una tienda  Otro \_\_\_\_\_

¿Por qué eligió este calefactor?  Estilo  Tamaño/Portabilidad  Precio  Embalaje  Marca  Otro \_\_\_\_\_

¿Usted:  es propietario?  alquila? ¿Recomendaría este calefactor a un amigo?  Sí  No

Déjenos sus comentarios: \_\_\_\_\_

GRACIAS POR COMPLETAR ESTE FORMULARIO.  
Se mantendrá la confidencialidad de la información.

## REGISTRO DE LA GARANTÍA

**IMPORTANTE:** Lo instamos a que complete la tarjeta de registro de la garantía dentro de los catorce (14) días de la fecha de compra. También puede registrar la garantía por Internet en [www.ghpgroupinc.com](http://www.ghpgroupinc.com). Complete el número de serie. Conserve esta parte de la tarjeta para su constancia.



**GHP Group, Inc.**  
6440 W Howard St  
Niles, IL 60714-3302

Tel: 1 (877) 447-4768  
[www.ghpgroupinc.com](http://www.ghpgroupinc.com)

**¡GUARDE ESTA TARJETA!**

Coloque aquí  
el sello postal

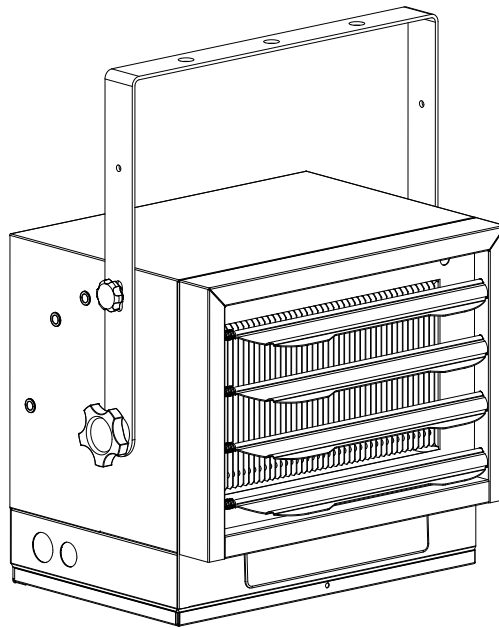
**GHP Group, Inc.**  
6440 W Howard St  
Niles, IL 60714-3302







Radiateur électrique robuste à  
usage général Modèle: EG7500DH  
**GUIDE D'INSTRUCTION**



MODÈLE: **EG7500DH**



Avant d'utiliser cet appareil de chauffage pour la première fois, veuillez lire très attentivement ce GUIDE D'UTILISATION. Ce GUIDE D'UTILISATION vise à vous fournir la méthode appropriée pour as-sembler, entretenir, entreposer et, plus importante encore, pour utiliser l'appareil de chauffage de façon sûre et efficace. Veuillez le conserver pour pouvoir vous y reporter ultérieurement.

**CONSUMMATEUR: Conservez ce guide pour pouvoir vous y reporter ultérieurement.** Questions, problèmes, pièces manquantes? Avant de revenir chez le détaillant, contactez le service à la clientèle par téléphone en composant le 1-877-447-4768 du lundi au vendredi de 8 h 30 à 16 h 30, heure normale du Centre, ou par courriel à [customerservice@ghpgroupinc.com](mailto:customerservice@ghpgroupinc.com).

# INSTRUCTIONS IMPORTANTES

Lors de l'utilisation d'un appareil électrique, les mesures de sécurité de base devraient toujours être respectées afin de réduire les risques d'incendie, de décharge électrique et de blessure. Les mesures suivantes en font partie:

1. Lisez toutes les instructions avant d'installer ou d'utiliser le radiateur.
2. Le radiateur est chaud lorsqu'il est en fonction. Pour éviter les brûlures, ne laissez pas la peau nue entrer en contact avec les surfaces chaudes. Gardez les matières combustibles comme les meubles, les oreillers, les draps, le papier, les vêtements, les rideaux, etc., à au moins 0,9 m (3 pi) de l'avant du radiateur et à bonne distance des côtés et de l'arrière de celui-ci.
3. Faites preuve d'une extrême prudence lorsqu'un radiateur est utilisé à proximité d'enfants ou de personnes handicapées ou lorsqu'il est utilisé par ceux-ci, de même que lorsqu'il fonctionne sans surveillance.
4. Éteignez toujours le radiateur lorsqu'il n'est pas utilisé.
5. Ne faites pas fonctionner un radiateur après une défaillance. Avant de le réutiliser, coupez l'alimentation au panneau électrique et faites inspecter l'appareil par un électricien digne de confiance.
6. N'utilisez pas ce radiateur à l'extérieur.
7. Ce radiateur n'est pas conçu pour être utilisé dans une salle de bain, une salle de lavage et des emplacements similaires à l'intérieur. Ne laissez jamais le radiateur là où il pourrait tomber dans une baignoire ou dans un autre contenant d'eau.
8. N'insérez aucun corps étranger (et empêchez qu'il s'en introduise) dans les événements de ventilation ou d'évacuation afin d'éviter de causer des décharges électriques ou des incendies ou d'endommager le radiateur.
9. Pour prévenir un éventuel incendie, ne bloquez les entrées et sorties d'air du radiateur d'aucune manière. N'utilisez pas cet appareil sur des surfaces molles où les ouvertures pourraient être obstruées, par exemple sur un lit.
10. Le radiateur contient des pièces chaudes et des pièces produisant des arcs électriques ou des étincelles. N'utilisez pas cet appareil à des endroits où de l'essence, de la peinture ou des liquides inflammables sont utilisés ou entreposés.
11. Utilisez ce radiateur seulement de la façon décrite dans le présent guide. Toute autre utilisation non recommandée par le fabricant peut provoquer un incendie ou causer une décharge électrique ou des blessures.

**AVERTISSEMENT AUX PROPRIÉTAIRES D'ANIMAUX DOMESTIQUES:** Certains petits animaux domestiques, dont les oiseaux, sont très sensibles aux vapeurs dégagées lors de la première utilisation de nombreux appareils. Ces vapeurs ne sont pas nocives pour les humains, mais nous recommandons de ne pas utiliser le radiateur à proximité d'oiseaux et de petits animaux domestiques lors de sa première utilisation, jusqu'à ce que le revêtement anticorrosion utilisé durant la fabrication ait complètement brûlé.

## CONSERVEZ CES INSTRUCTIONS

## TABLE DES MATIÈRES

<b>ARTICLE</b>	<b>PAGE #</b>
PRÉCAUTIONS - GUIDE DE SÉCURITÉ.....	35
1. DESCRIPTION.....	35
2. CARACTÉRISTIQUES TECHNIQUES.....	35
3. INFORMATIONS GÉNÉRALES RELATIVES À LA SÉCURITÉ.....	35
4. EMPLACEMENT DU RADIATEUR.....	36
5. PRE-INSTALLATION.....	37
6. INSTALLATION.....	38
7. INSTRUCTIONS DE FONCTIONNEMENT.....	43
8. INSTRUCTIONS D'ENTRETIEN.....	45

### **DESCRIPTION**

Ce chauffe-garage électrique est la solution de chauffage idéale pour votre garage, entrepôt ou atelier avec ses 2 réglages de chaleur, son montage au plafond pratique et peu encombrant et son thermostat réglable.

### **CARACTÉRISTIQUES TECHNIQUES**

Évaluation	Amplis	BTU/heure
7500W II 240-1-60	31.25	22589
5000W I 240-1-60	20.9	17065

### **INFORMATIONS GÉNÉRALES RELATIVES À LA SÉCURITÉ**

#### **⚠ AVERTISSEMENT**

**Ce radiateur ne comprend pas de fiche électrique : son installation nécessite un raccordement fixe. L'installation de ce produit doit être effectuée par un électricien certifié conformément à tous les codes régissant l'électricité à l'échelle locale et nationale.**

**REMARQUE : Prend en charge un thermostat mural de ligne bipolaire à tension de 240 V. L'installation doit être effectuée par un électricien certifié.**

#### **⚠ AVERTISSEMENT**

**Veillez lire et comprendre toutes les instructions relatives à l'installation et au fonctionnement de l'appareil et respecter toutes les consignes de sécurité.**

1. N'utilisez que des fils de cuivre résistant à des températures d'au moins 60°C.
2. La sortie d'air du radiateur doit être orientée parallèlement au mur adjacent ou à l'opposé de celui-ci.
3. Respectez le dégagement requis par rapport aux murs, au plancher et au plafond.
4. Tout le câblage doit se conformer aux codes régissant l'électricité à l'échelle locale et nationale aux États-Unis, et le radiateur doit être mis à la terre pour prévenir les risques de décharges électriques. Le circuit du radiateur doit être protégé par les fusibles appropriés.
5. La structure et la quincaillerie de fixation doivent être en mesure de supporter de manière fiable le poids du radiateur et, le cas échéant, celui du support de fixation.

## INFORMATIONS GÉNÉRALES RELATIVES À LA SÉCURITÉ

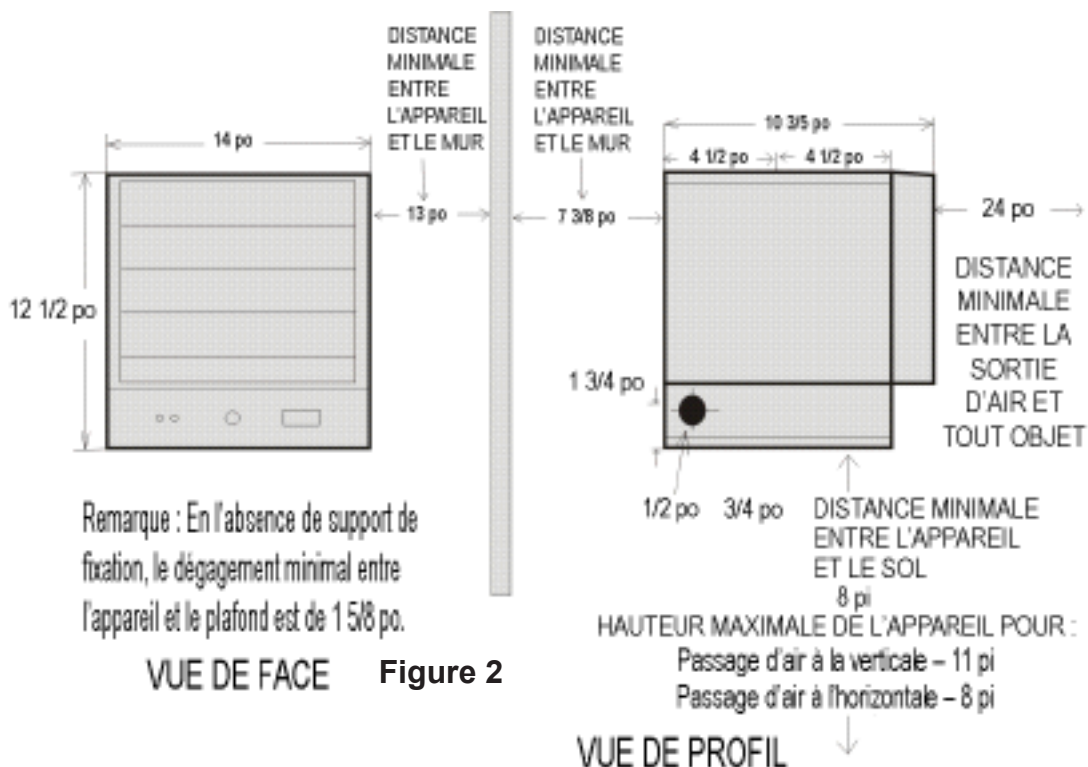
6. Toute l'alimentation électrique doit être coupée et le panneau électrique principal doit être verrouillé avant d'exécuter une inspection, un nettoyage ou un entretien du radiateur. Cette précaution permet d'éviter des décharges électriques graves.
7. Ce radiateur n'est pas adapté aux endroits dangereux tels que définis par la National Fire Protection Association (NFPA) aux États-Unis. Le radiateur contient des pièces chaudes et des pièces produisant des arcs électriques ou des étincelles. N'utilisez pas cet appareil à des endroits où de l'essence, de la peinture ou des liquides inflammables sont utilisés ou entreposés.
8. Ce radiateur n'est pas adapté aux environnements agressifs comme les serres à l'eau de mer et les entrepôts de produits chimiques.
9. Le radiateur doit être installé à au moins 8 pieds du sol.

### ⚠ AVERTISSEMENT

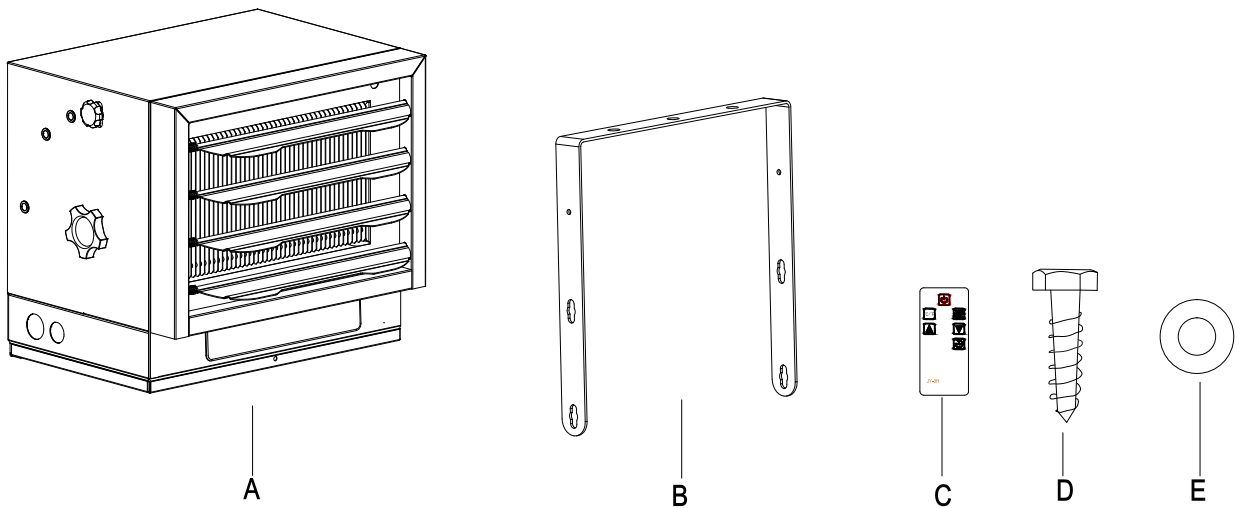
Une installation incorrecte ou le non-respect des procédures décrites dans le présent guide d'instruction peut causer des décharges électriques graves.

### EMPLACEMENT DU RADIATEUR

Installez le radiateur à l'écart des zones de circulation et maintenez le dégagement minimal décrit à la figure 2. Le passage d'air ne doit pas être obstrué par des colonnes ou des machines, et l'air doit longer les murs plutôt qu'être poussé directement sur ces derniers. Lorsque plusieurs radiateurs sont utilisés, ils doivent être disposés de façon à créer un passage d'air continu avec les autres radiateurs afin de mieux faire circuler l'air chaud, comme illustré à la figure 3.



## PRE-INSTALLATION



Pièce	Description	Quantité
A	Chauffe-garage	1
B	Support de montage	1
C	Télécommande infrarouge	1
D	Vis	3
E	Rondelle	6

## EMPLACEMENT DU RADIATEUR

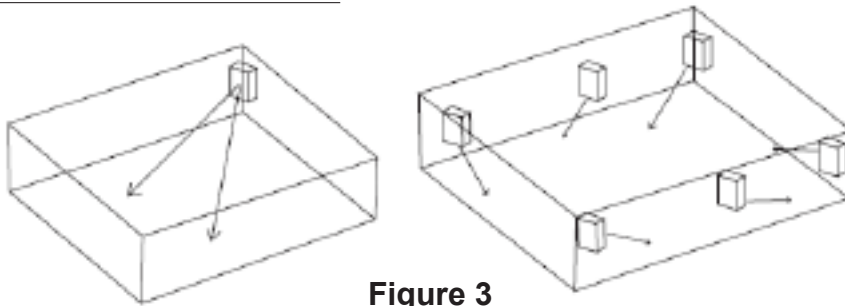


Figure 3

## INSTALLATION

### **INSTALLATION DU SUPPORT**

Consultez les figures 4a et 4b.

1. Repérez une poutre en bois dans la solive de plafond. Si vous ne trouvez aucune poutre en bois, vous devez installer un morceau de bois au plafond afin de fixer solidement le radiateur.
2. Pour retirer le support de fixation du radiateur, desserrez les vis à l'aide d'une clé et glissez la poignée sur les têtes de vis.
3. Glissez une rondelle sur les vis avant de les insérer dans les trous du support de fixation, puis vissez-les solidement dans la solive de plafond.

**REMARQUE:** Si vous prévoyez pivoter le radiateur vers la gauche ou la droite, il est recommandé d'ajouter des rondelles de chaque côté du support. Un tire-fond plus long peut être nécessaire pour fixer correctement le radiateur. Voir la figure 4a.

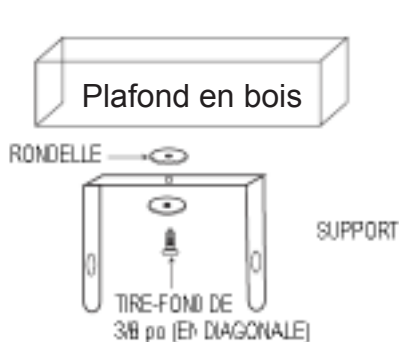


Figure 4a. Installation avec une vis

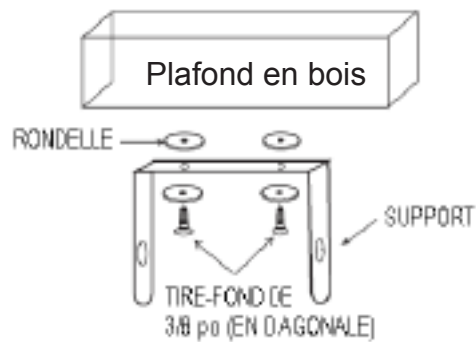


Figure 4b. Installation avec deux vis

### **INSTALLATION DU RADIATEUR**

- 1) Fixez le radiateur au support de fixation.
- 2) Soulevez le radiateur pour l'aligner dans le support de fixation.
- 3) Alignez les vis du support avec les encoches en trou de serrure du support de fixation.
- 4) Si le radiateur doit être pivoté, l'angle utilisé doit correspondre aux encoches en trou de serrure, comme illustré à la figure 5.
- 5) Serrez les vis du support avec une clé pour que l'appareil soit solidement suspendu à l'horizontale ou à la verticale.

## AJUSTEMENT DE LA DIRECTION DE L'AIR

1. Si le radiateur a été fixé avec un seul tire-fond, comme illustré à la figure 4a, il est possible de le tourner horizontalement au besoin. Par contre, s'il a été installé avec deux tire-fonds, il ne peut être tourné de cette manière.
2. Pour pivoter le radiateur verticalement, dévissez les vis du support (voir la figure 5).

**REMARQUE :** Pour pivoter verticalement le radiateur, il doit être fixé aux encoches en trou de serrure au bas du support de fixation afin de garder le dégagement adéquat et de prévenir les risques de surchauffe.

Figure 5

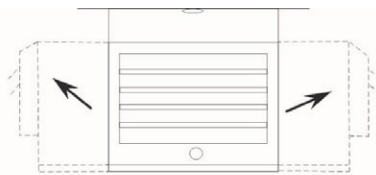
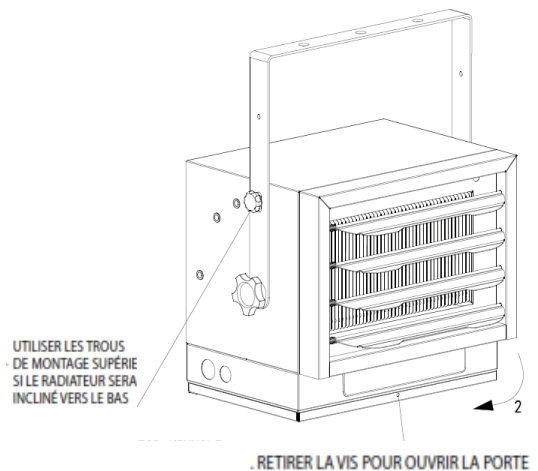


Figure 6

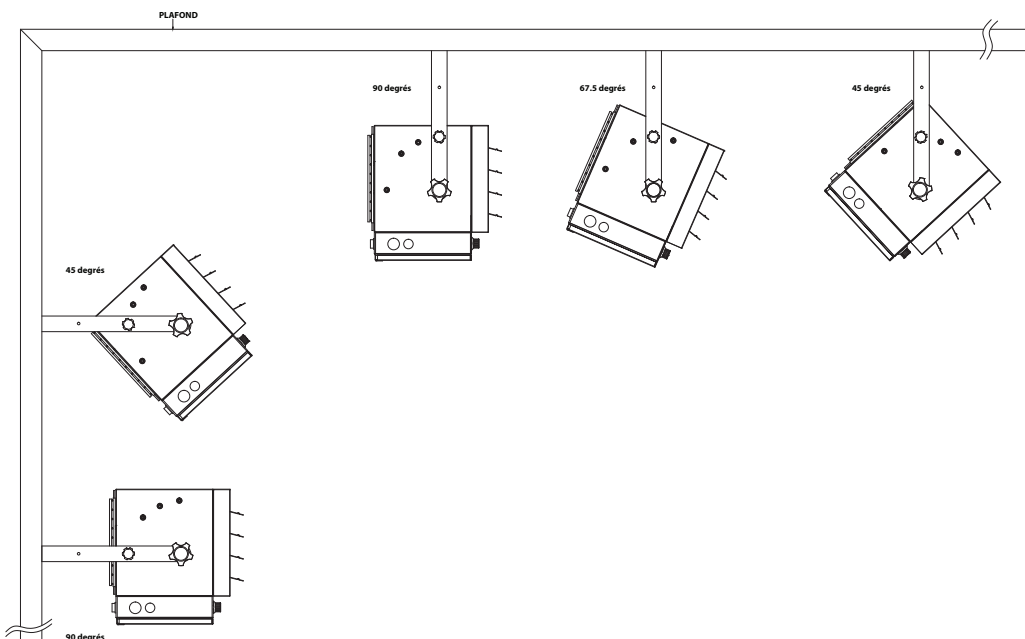
3. Réglez la position des persiennes selon vos besoins (voir la figure 6).

**REMARQUE :** Les persiennes sont conçues pour ne pas pouvoir se fermer complètement. N'essayez pas de forcer leur fermeture : vous pourriez endommager le radiateur.

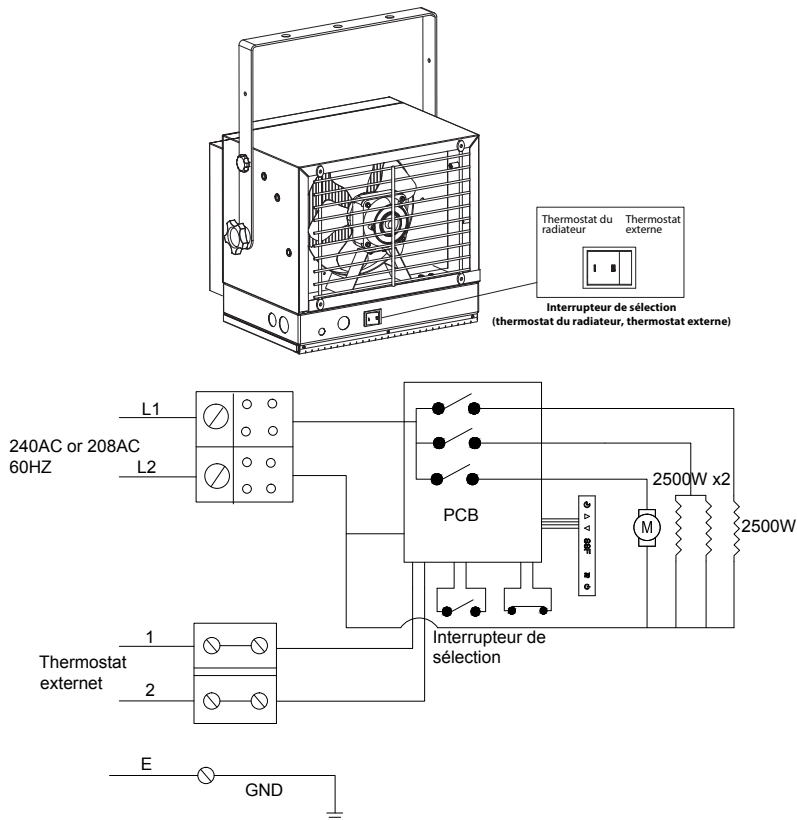
## ⚠ AVERTISSEMENT

Pour prévenir les risques de décharge électrique, éteignez le radiateur et coupez l'alimentation au panneau électrique avant d'entreprendre un réglage de la sortie de chaleur.

### DIVERS ANGLES VERTICAUX

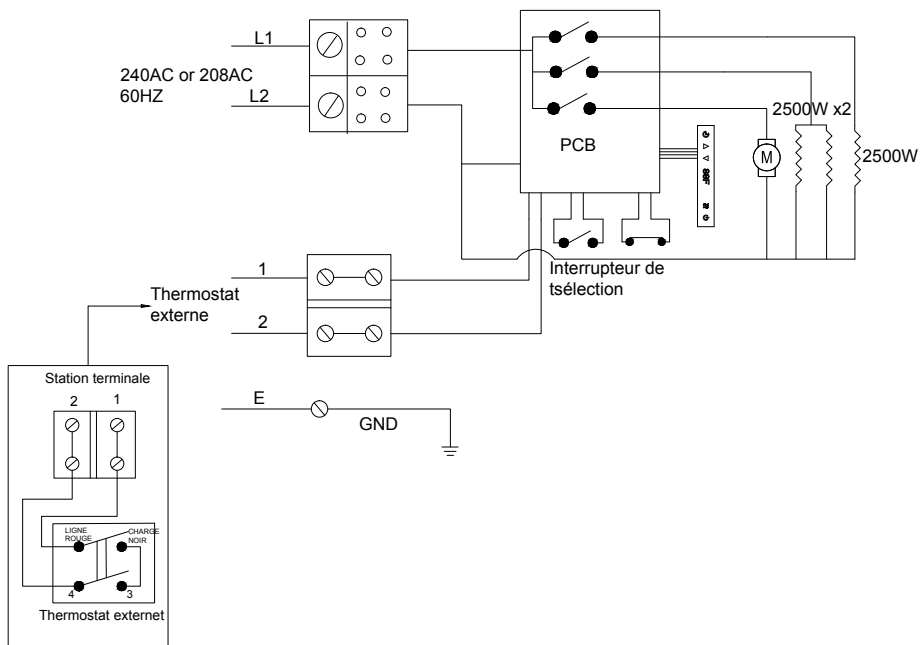


# BRANCHEMENT DE L'ALIMENTATION



**Si vous désirez utiliser un thermostat externe pour commander le fonctionnement du radiateur, veuillez porter attention aux points suivants :**

1. Assurez-vous que le bouton du thermostat du radiateur est tourné au maximum en sens horaire.
2. Connectez le fil conformément au schéma de câblage ci-dessous.





## **BRANCHEMENT DE L'ALIMENTATION**

3. Le thermostat externe doit respecter les normes UL ou ETL.
4. Les fils de connexion du thermostat externe doivent avoir un calibre d'au moins 14 AWG.

### **PROTECTION DE L'ÉLÉMENT CHAUFFANT**

Pour démarrer le radiateur, tournez lentement le bouton de réglage de température en sens horaire : le ventilateur s'allumera d'abord, suivi de l'élément chauffant.

Pour éteindre le radiateur, tournez lentement le bouton de réglage de température en sens antihoraire : l'élément chauffant s'éteindra d'abord, suivi du ventilateur.

## **⚠ AVERTISSEMENT**

**Avertissement : Cet appareil doit être mis à la terre.**

## **⚠ AVERTISSEMENT**

**Avertissement : L'appareil doit être connecté à un circuit ou à un dispositif de protection du courant de 50 A ou moins avant d'être branché à l'alimentation.**

1. Retirez la vis de l'avant du radiateur pour connecter l'alimentation.
2. Installez les connecteurs de câbles sur l'appareil (voir la figure 6) et glissez le fil de calibre 10 dans le connecteur de câbles.

**REMARQUE :** Tout le câblage doit être effectué par un électricien certifié et se conformer aux codes régissant l'électricité à l'échelle locale et nationale aux États-Unis. Certains usages peuvent nécessiter des conduits de câbles. Voir la figure 6. Consultez les codes locaux régissant l'électricité. Si vous faites passer le câblage dans un conduit de câbles et que vous désirez pouvoir tourner le radiateur, assurez-vous de disposer d'un conduit flexible suffisamment long.

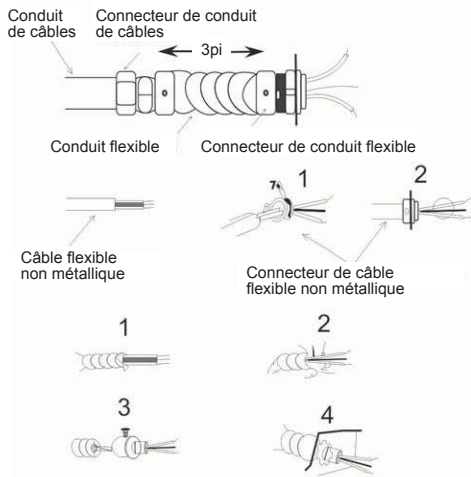
3. Connectez les fils au bloc d'alimentation à la base du radiateur (voir la figure 7).
4. Allumez l'alimentation au panneau électrique principal.

## **⚠ MISE EN GARDE**

**Haute température – risque d'incendie. Gardez les matières inflammables comme les meubles, les oreillers, les draps, le papier, les vêtements et les rideaux à au moins 0,9 m (3 pi) de l'avant et du dessus du radiateur et à bonne distance des côtés et de l'arrière de celui-ci.**

**Pour réduire les risques d'incendie, n'utilisez pas cet appareil à des endroits où de l'essence, de la peinture ou des liquides inflammables sont utilisés ou entreposés.**

## BRANCHEMENT DE L'ALIMENTATION



Connecteurs, câbles et quincaillerie utilisés pour brancher le radiateur

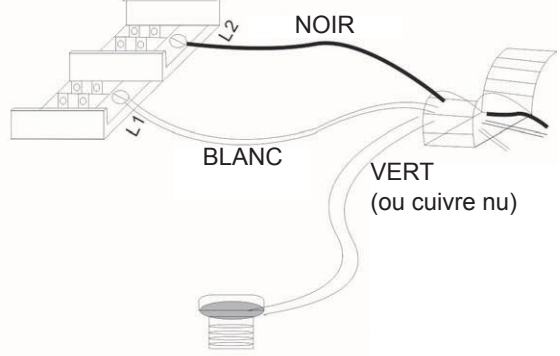


Figure 7

### **⚠ AVERTISSEMENT**

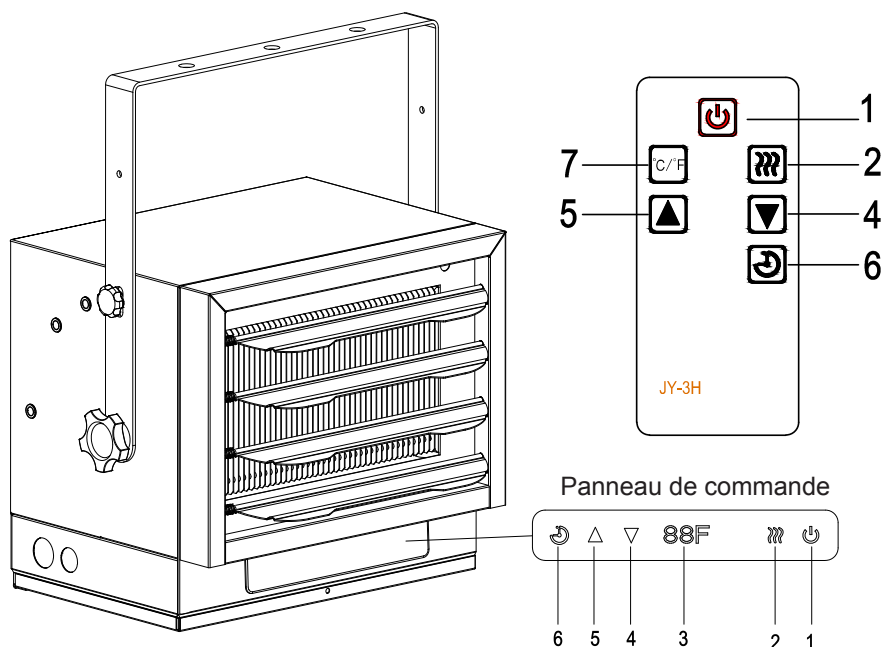
Ce produit peut vous exposer à des agents chimiques, dont le phtalate de diisononyle (DINP), reconnu par l'État de Californie comme pouvant causer le cancer, ainsi que les phtalates diisodécyle (DIDP) reconnus par l'État de Californie comme pouvant causer des anomalies congénitales et autres dommages au système reproducteur.

**Pour plus de renseignements, visitez le [www.p65Warnings.ca.gov](http://www.p65Warnings.ca.gov)**

## INSTRUCTIONS DE FONCTIONNEMENT

# ⚠ AVERTISSEMENT

Le radiateur doit être correctement installé avant d'être mis en fonction.



Vérifiez que la grille de sortie du radiateur de garage n'est pas couverte ni obstruée, et assurez-vous que l'alimentation vers l'appareil est allumée.

Le radiateur de garage peut être contrôlé de deux façons :

- À l'aide du panneau de commande du pavé tactile ou à l'aide de la télécommande multifonctions.
- Appuyez sur le bouton approprié pour contrôler votre radiateur de garage.

### 1. Bouton d'alimentation principal :

Ce bouton fournit l'alimentation à toutes les fonctions du radiateur de garage. Il doit être activé pour que le radiateur puisse fonctionner.

### 2. Bouton de contrôle du radiateur :

Il s'agit du bouton de commande manuel du chauffage qui permet de régler les niveaux de chauffage : arrêt, vent (ventilateur seulement), bas (5000 W, indique B), élevé (7500 W, indique É).

### 3. Affichage de température/minuterie :

Cet affichage DEL affiche le réglage des fonctions de température et de minuterie. Quand l'une de ces fonctions est activée, l'affichage indique le réglage pendant cinq secondes puis s'éteint. Tout changement au réglage de la température ou de la minuterie réactivera l'affichage, qui s'éteint de nouveau après cinq secondes.

## **INSTRUCTIONS DE FONCTIONNEMENT**

### **4. Bouton de commande BAS :**

Ce bouton réduit la température ou le temps, ajustant la plage de température de 20 °C à 35 °C (68 °F à 95 °F), par intervalles de 2 °F (/1 °C).

### **5. Bouton de commande HAUT :**

Ce bouton augmente la température ou le temps, ajustant la plage de température de 20 °C à 35 °C (68 °F à 95 °F), par intervalles de 2 °F (/1 °C).

### **6. Bouton de minuterie :**

Ce bouton met en marche et arrête la minuterie qui a 8 réglages de temps allant de 1 heure à 8 heures. Quand la minuterie est mise en marche, le réglage le plus court est activé (1 heure). Chaque fois que vous appuyez sur le bouton de minuterie, le temps augmente d'une heure, jusqu'au réglage le plus long (8 heures). Une fois que le temps réglé est écoulé, toutes les fonctions du radiateur de garage s'éteignent automatiquement.

### **7. Bouton Fahrenheit/Celsius :**

#### **TÉLÉCOMMANDE :**

Ce bouton affiche F (Fahrenheit) ou C (Celsius) selon le mode de température réglé. Quand le radiateur de garage est allumé, la température en Fahrenheit (F) est affichée.

#### **RADIATEUR DE GARAGE :**

Pour passer des Fahrenheit aux Celsius, ou vice-versa, quand le radiateur de garage est allumé, maintenez le bouton de COMMANDE DU RADIATEUR pendant 5 secondes. Le radiateur de garage se souviendra du dernier réglage de mode de température, et lors de la prochaine utilisation, ce réglage s'affichera, à moins que l'alimentation vers l'appareil ne soit interrompue.

## INSTRUCTIONS D'ENTRETIEN

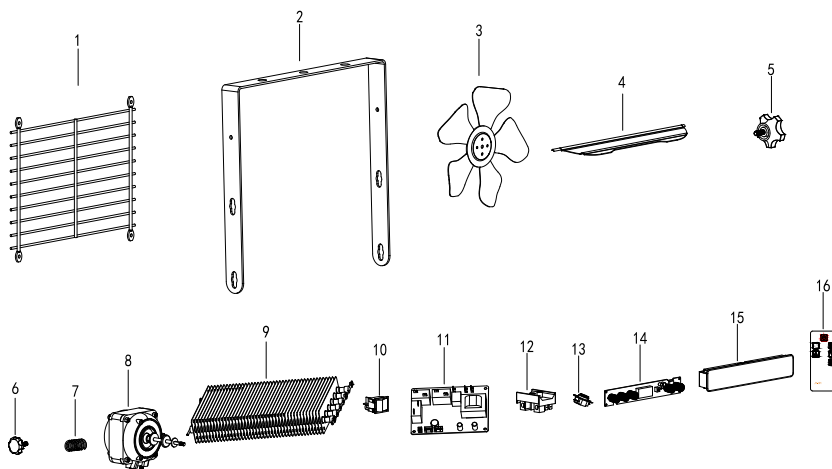
### ENTRETIEN ET NETTOYAGE

1. Avant de nettoyer le radiateur, veillez à couper l'alimentation sur le panneau à disjoncteurs et à laisser refroidir les éléments chauffants.
2. Pour maintenir l'apparence externe du radiateur, il suffit de l'épousseter à sec à l'occasion. Vous pouvez profiter de la période estivale ou de tout autre moment où le radiateur n'est pas utilisé et est complètement refroidi pour passer un linge humide sur l'appareil.
3. N'utilisez pas de nettoyeurs en poudre abrasifs ni de nettoyeurs pour meubles. N'utilisez pas de produits chimiques ou abrasifs, de tampon à récurer en métal, ni de quoi que ce soit qui pourrait abîmer la surface de l'appareil.
4. Durant l'été ou à tout autre moment où le radiateur n'est pas utilisé, débranchez l'appareil et couvrez l'appareil avec un chiffon à poussière. Rangez l'appareil dans un endroit frais et sec.
5. Toutes les autres tâches d'entretien doivent être effectuées par un technicien qualifié. N'essayez pas de réparer vous-même le radiateur.

### PIÈCES DE REMPLACEMENT

Pièce	Description	No. de pièce
1	Grille arrière	EG5000001AC
2	Plaque de suspension	EG5000002AC
3	Pale de ventilateur	EG5000003AC
4	Plaque de guidage d'air	EG5000004AC
5	Grande poignée	EG5000005AC
6	Petite poignée	EG5000006AC
7	Ressort	EG5000007AC
8	Moteur	EG5000008AC

Pièce	Description	No. de pièce
9	Chauffage	EG7500001AC
10	Interrupteur de sélection	EG5000011AC
11	Tableau principal	EG7500DH001AC
12	Bloc terminal	EG5000014AC
13	Coupure de température	EG5000017AC
14	Carte de circuit imprimé	EG7500DH002AC
15	Boîtier de commande	EG7500DH003AC
16	Télécommande infrarouge	EG7500DH004AC



# GARANTIE

## GARANTIE LIMITÉE :

Cette garantie limitée n'est offerte qu'à l'acheteur initial de cet appareil à air pulsé/appareil à convection/radiateur et assure qu'il sera exempt de défauts de matériaux et de fabrication pour une période d'un (1) an à partir de la date d'achat (seule la buse en cuivre du brûleur bénéficie d'une garantie à vie). À sa discrétion, GHP Group, Inc. pourra fournir des pièces de rechange ou remplacer ou réparer l'unité lorsque celle-ci est bien retournée chez le détaillant où elle a été achetée ou dans l'un de nos centres de service, tel qu'exigé par GHP Group, Inc. dans un délai d'un (1) an suivant la date d'achat. (Les frais d'expédition, de main-d'œuvre et autres sont la responsabilité de l'acheteur.)

## RESPONSABILITÉS DU PROPRIÉTAIRE :

Cet appareil de chauffage doit être utilisé conformément aux instructions écrites qui l'accompagnent. Cette garantie ne permet pas au propriétaire de négliger l'entretien requis du radiateur conformément aux instructions écrites qui l'accompagnent. Une facture de vente, un chèque payé ou un historique de paiement sont nécessaires à la vérification de la date d'achat et de la période de couverture. La boîte d'origine doit être conservée en cas de retour du produit sous garantie.

## LA GARANTIE NE COUVRE PAS :

1. Les dommages causés par l'utilisation d'un mauvais combustible.
2. Les dommages causés par une mauvaise utilisation ou par une utilisation contraire au guide d'utilisation et aux consignes de sécurité.
3. Les dommages causés par un manque d'entretien régulier.
4. Les fusibles.
5. L'utilisation de pièces ou d'accessoires non standards.
6. Les dommages causés lors d'un déplacement. Il est de la responsabilité du propriétaire d'acquitter les frais de transport des pièces ou des radiateurs sous garantie en direction ou en provenance de l'usine.

La présente garantie n'implique aucune responsabilité pour les dommages indirects résultant de l'utilisation conforme, d'une mauvaise utilisation ou du manque d'entretien régulier de cet appareil de chauffage. En cas de bris qui résulteraient d'un manque d'entretien, des frais de nettoyage et de remplacement de pièces pourraient être facturés. La présente garantie s'applique uniquement aux réclamations concernant des défauts de fabrication ou de matériaux. **NE PAS EFFECTUER L'ENTRETIEN GÉNÉRAL RÉGULIER (Y COMPRIS LE NETTOYAGE) ENTRAÎNERA L'ANNULATION DE CETTE GARANTIE.**

CETTE GARANTIE LIMITÉE DONNÉE À L'ACHETEUR REMPLACE TOUTE GARANTIE, EXPRESSE OU IMPLICITE, Y COMPRIS, MAIS SANS S'Y LIMITER, LES GARANTIES DE QUALITÉ MARCHANDE ET D'ADÉQUATION DANS UN BUT PARTICULIER. LE RECOURS OFFERT PAR CETTE GARANTIE EST EXCLUSIF ET REMPLACE TOUS LES AUTRES RECOURS. GHP GROUP, INC. NE SERA EN AUCUN CAS TENU RESPONSABLE DE TOUT DOMMAGE CONSÉCUTIF OU INDIRECT.

Les lois en vigueur dans certains États, provinces ou territoires n'autorisent pas la limitation de la durée d'une garantie implicite et, par conséquent, les limitations énoncées ci-dessus pourraient ne pas s'appliquer à vous. Les lois en vigueur dans certains États, provinces ou territoires n'autorisent pas l'exclusion ou la limitation des dommages consécutifs ou indirects et, par conséquent, la clause de limitation ou d'exclusion énoncée ci-dessus pourrait ne pas s'appliquer à vous.

## LES DEMANDES SERONT TRAITÉES COMME SUIT :

1. Communiquez avec votre détaillant afin de lui expliquer votre problème.
2. Si le détaillant n'est pas en mesure de régler votre problème, communiquez avec notre service à la clientèle avec votre preuve d'achat en main, puis mentionnez le modèle de votre radiateur et décrivez votre problème.
3. Un représentant communiquera ensuite avec vous. **NE RENVOYEZ PAS LE RADIATEUR À GHP GROUP, INC.** à moins que l'un de nos représentants ne vous le demande. La présente garantie vous accorde des droits spécifiques reconnus par la loi et vous bénéficiez peut-être d'autres droits, qui peuvent varier selon l'État, la province ou le territoire.

POUR ENREGISTRER LA GARANTIE DE VOTRE RADIATEUR, REMPLISSEZ ET POSTEZ CETTE CARTE  
DANS LES 14 JOURS SUIVANT LA DATE D'ACHAT, OU ENREGISTREZ-LA EN LIGNE AU [www.ghpgruoinc.com](http://www.ghpgruoinc.com).

NOM : \_\_\_\_\_ N° DE TÉLÉPHONE : \_\_\_\_\_ ADRESSE ÉLECTRONIQUE : \_\_\_\_\_  
ADRESSE : \_\_\_\_\_ VILLE : \_\_\_\_\_ ÉTAT : \_\_\_\_\_ CODE POSTAL : \_\_\_\_\_  
MODÈLE : \_\_\_\_\_ N° DE SÉRIE : \_\_\_\_\_ DATE D'ACHAT : \_\_\_\_\_  
DISTRIBUTEUR CHEZ QUI L'ACHAT A ÉTÉ EFFECTUÉ : \_\_\_\_\_ TYPE DE MAGASIN : \_\_\_\_\_  
VILLE ET ÉTAT OÙ L'ACHAT A ÉTÉ EFFECTUÉ : \_\_\_\_\_ VALEUR À L'ACHAT : \_\_\_\_\_

**Merci de prendre une minute afin de répondre aux questions qui suivent.**

**Vos réponses seront utilisées uniquement à des fins d'étude du marché et resteront confidentielles.**

Qui a été le principal instigateur de cet achat?  Homme  Femme  18-24  25-39  40-59  60 et plus  
Quelle était la raison de l'achat? \_\_\_\_\_  
Possédez-vous d'autres radiateurs portatifs?  Oui  Non Si oui, de quel type? \_\_\_\_\_ De quelle marque? \_\_\_\_\_  
Quel usage prévoyez-vous faire de votre nouveau radiateur?  Chantier de construction  Ferme  Entrepôt/commercial  Garage/annexe  Autre  
Comment avez-vous découvert ce radiateur?  Étalage en magasin  Annonce dans les journaux  Annonce dans les magazines  
 Ami/proche  Annonce à la télévision  Commis en magasin  Autre \_\_\_\_\_  
Pourquoi avez-vous choisi ce radiateur?  Style  Taille/portabilité  Prix  Emballage  Marque  Autre \_\_\_\_\_  
Êtes-vous :  Propriétaire  Locataire Recommanderiez-vous ce radiateur à un ami?  Oui  Non  
Veuillez partager vos commentaires avec nous : \_\_\_\_\_

MERCI D'AVOIR REMPLI CE FORMULAIRE!  
Vos renseignements resteront confidentiels.

## ENREGISTREMENT DE LA GARANTIE

**IMPORTANT** : Nous vous invitons à remplir votre carte d'enregistrement de garantie dans les quatorze (14) jours suivant la date de votre achat. Vous pouvez également enregistrer votre garantie par Internet au [www.ghpgroupinc.com](http://www.ghpgroupinc.com). Veuillez entrer le numéro de série complet. Veuillez conserver cette partie de la carte pour vos dossiers personnels.



**GHP Group, Inc.**  
6440 W Howard St  
Niles, IL 60714-3302

Tél. : 1 877 4474768  
[www.ghpgroupinc.com](http://www.ghpgroupinc.com)

**CONSERVEZ CETTE CARTE!**

Placez le  
timbre ici

**GHP Group, Inc.**  
6440 W Howard St  
Niles, IL 60714-3302

