

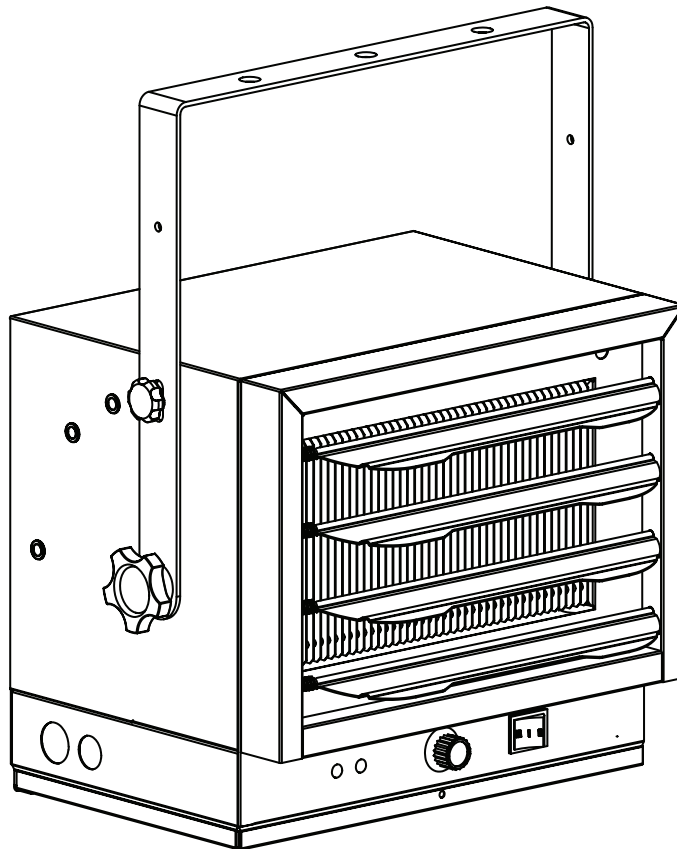
Dyna-Glo<sup>®</sup> PRO

EG5000DGP

## Electric Garage Heater

5,000W / 240V / 17,060 BTU

## INSTALLATION & MAINTENANCE INSTRUCTIONS



Before the first use of this heater, please read this USER'S MANUAL very carefully. This USER'S MANUAL has been designed to instruct you as to the proper manner in which to assemble, maintain, store, and most importantly, how to operate the heater in a safe and efficient manner. Please keep this manual for future reference.

**CONSUMER: Retain this manual for future reference.**

Questions, problems, missing parts? Before returning to your retailer, call our customer service department at 877-447-4768 8:00 a.m. - 4:30 pm CST, Monday - Friday.  
or email us at [customerservice@ghpgroupinc.com](mailto:customerservice@ghpgroupinc.com)

# IMPORTANT INSTRUCTIONS



**IMPORTANT: Professional installation required.**  
Only a certified electrician may install and service this product.



**THIS HEATER REQUIRES HARDWIRE INSTALLATION (NO PLUG). THE INSTALLATION OF THIS PRODUCT MUST BE CARRIED OUT BY A CERTIFIED ELECTRICIAN AND IN ACCORDANCE WITH ALL LOCAL AND NATIONAL ELECTRICAL CODES.**

When using electrical appliances, basic precautions should always be followed to reduce the risk of fire, electric shock, and injury to persons, including the following:

1. Read all instructions before installing or using this heater.
2. This heater is hot when in use. To avoid burns, do not let bare skin touch hot surfaces. Keep combustible materials, such as electrical cords, furniture, pillows, bedding, papers, clothes, and curtains at least 3 feet (0.9 m) from the front of the heater and keep them away from the sides and rear.
3. Extreme caution is necessary when any heater is used by or near children or invalids and whenever the heater is left operating and unattended.
4. Always turn off the power to the heater when not in use.
5. Do not operate any heater after the heater malfunctions, has been dropped or damaged in any manner. Disconnect power at the service panel and have the heater inspected by a reputable electrician before reusing.
6. Do not use outdoors.
7. This heater is not intended for use in bathrooms, laundry areas and similar indoor locations. Never locate heater where it may fall into a bathtub or other water container.
8. Do not insert or allow foreign objects to enter any ventilation or exhaust opening as this may cause an electric shock or fire, or damage the heater.
9. To prevent a possible fire, do not block air intakes or exhaust in any manner. Do not use on soft surfaces, like a bed, where openings may become blocked.
10. A heater has hot and arcing or sparking parts inside. Do not use it in areas where gasoline, paint, or flammable liquids are used or stored.
11. Use this heater only as described in this manual. Any other use not recommended by the manufacturer may cause fire, electric shock, or injury to persons.
12. To disconnect heater, turn controls to off, and turn off power to heater circuit at main disconnect panel.
13. If the red alarm light on the front of the unit illuminates, immediately turn the heater off and inspect for any objects on or adjacent to the heater that may have blocked the airflow or otherwise caused high temperatures to have occurred. **DO NOT OPERATE THE HEATER WITH THE ALARM LIGHT ILLUMINATING.**

**PET OWNERS WARNING:** The health of some small pets including birds are extremely sensitive to the fumes produced during the first-time use of many appliances. These fumes are not harmful to humans but we recommended that you do not use your heater around birds and small pets during its initial use until the manufacturing protective coatings burn off.

## SAVE THESE INSTRUCTIONS



**WARNING**



This Product can expose you to chemicals including Diisononyl phthalate (DINP) which is known to the State of California to cause cancer and Di-isodecyl phthalates (DIDP) which is known to the State of California to cause birth defects or other reproductive harm.

**For more information go to [www.p65Warnings.ca.gov](http://www.p65Warnings.ca.gov)**

## TABLE OF CONTENTS

<b>ITEM</b>	<b>PAGE #</b>
SPECIFICATIONS.....	3
SAFETY INFORMATION.....	3
LOCATING HEATER.....	4
PRE-INSTALLATION.....	5
INSTALLATION.....	6
OPERATING INSTRUCTIONS.....	10
MAINTENANCE.....	12
REPLACEMENT PARTS.....	12
TROUBLESHOOTING.....	13

## SPECIFICATIONS

Rating	Switch Setting	Volts	Phase	Hz	AMPS	BTU/hour
5000W	III	240	1	60	20.9	17065
3700W	III	208	1	60	17.8	12624
4000W	II	240	1	60	16.7	13648
3000W	II	208	1	60	14.4	10236
3000W	I	240	1	60	12.5	10236
2260W	I	208	1	60	10.9	7711

## SAFETY INFORMATION



### WARNING

THIS HEATER REQUIRES HARDWIRE INSTALLATION (NO PLUG). THE INSTALLATION OF THIS PRODUCT MUST BE CARRIED OUT BY A CERTIFIED ELECTRICIAN AND IN ACCORDANCE WITH ALL LOCAL AND NATIONAL ELECTRICAL CODES.

**NOTE: COMPATIBLE WITH A 240V LINE VOLTAGE DOUBLE POLE WALL THERMOSTAT. MUST BE INSTALLED BY A CERTIFIED ELECTRICIAN.**

READ AND UNDERSTAND ALL INSTALLATION & OPERATION INSTRUCTIONS PRIOR TO OPERATING THIS UNIT. OBSERVE ALL SAFETY INSTRUCTIONS.

1. Use only copper wires rated for at least 60°C.
2. Heater air flow must be directed parallel to or away from adjacent wall.
3. Observe all wall, floor and ceiling clearance requirements.
4. All wiring must be done according to national and local electrical codes. The heater must be grounded as a precaution against possible electrical shock. Heater circuit must be protected with proper fuses.
5. The mounting structure and the anchoring hardware must be capable of supporting the weight of the heater and the mounting bracket (if used).

## SAFETY INFORMATION

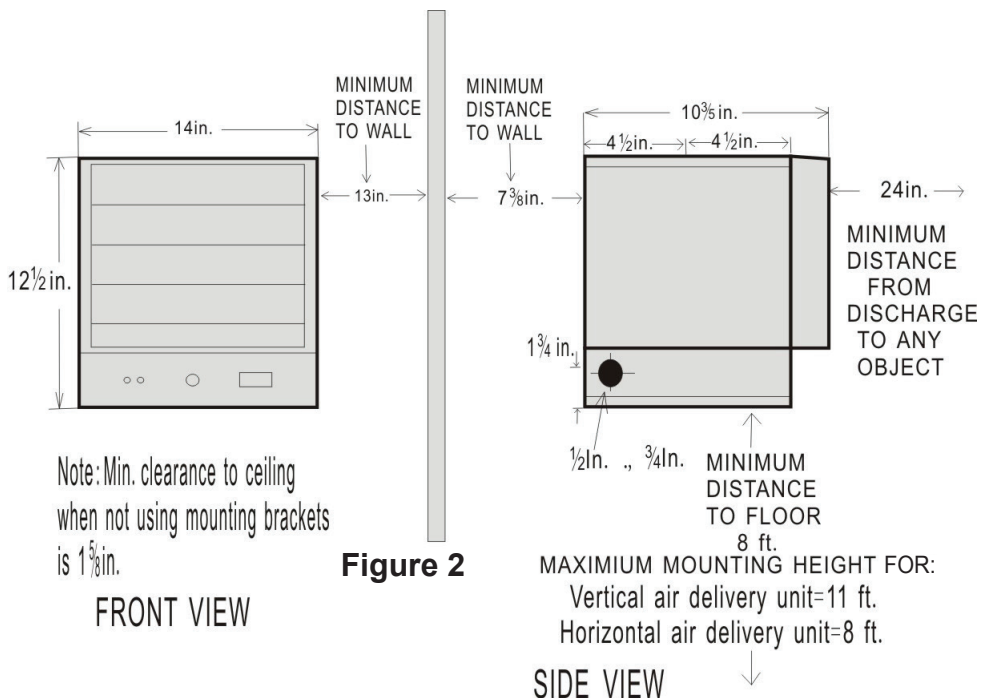
6. All electrical power must be disconnected at the main service box, which must be locked before connecting, inspecting, cleaning or servicing the heater. This is an important precaution to prevent serious electric shock.
7. This heater is not suitable for use in hazardous locations containing explosive liquids or vapours. This heater has hot or arcing or sparking parts inside. Do not use it in areas where gasoline, paint or flammable liquids are used or stored.
8. This heater is not suitable for use in corrosive atmospheres such as marine greenhouses or chemical storage areas.
9. This heater must be mounted at least 8 feet off the floor. For specific clearances, see figure 2.



IMPROPER INSTALLATION OR FAILURE TO FOLLOW THE PROCEDURES OUTLINED IN THIS INSTRUCTION MANUAL CAN RESULT IN SERIOUS ELECTRICAL SHOCK.

## LOCATING HEATER

Install heater away from traffic areas, maintaining clearances stated in figure 2 (below). The air flow direction should not be restricted (ie. by columns or machinery). The air flow should wipe exposed walls rather than blowing directly on them. When more than one heater is used in an area, heaters should be installed so that the air discharge of each heater supports the air flow of the others, to provide best warm air circulation as shown in figure 3.



## LOCATING HEATER

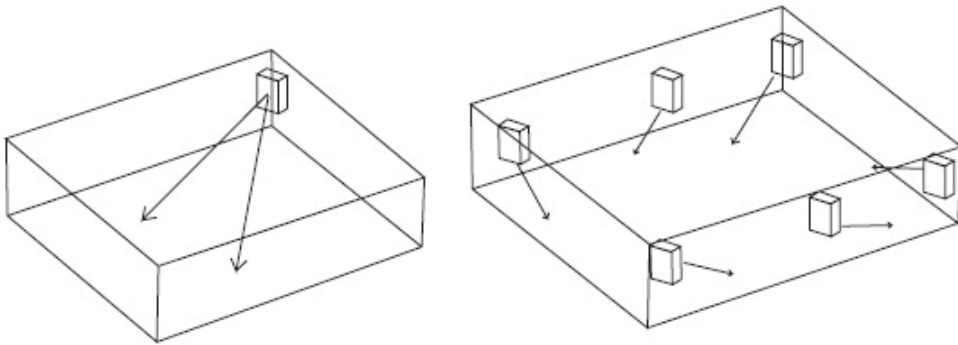
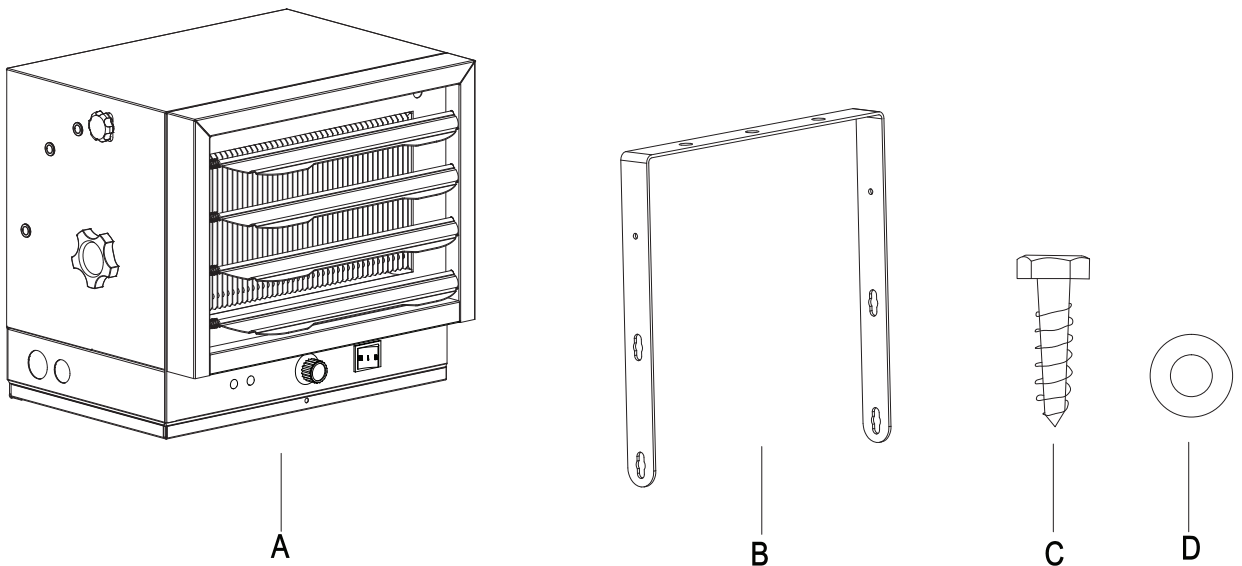


Figure 3

## PRE-INSTALLATION



Part	Description	Quantity
A	Garage Heater	1
B	Mounting Bracket	1
C	Screw	3
D	Washer	6

# INSTALLATION

## MOUNTING THE BRACKET

Refer to Figures 4a and 4b.

1. Locate a wood stud in the wood ceiling joist/side wall. For ceiling only, if you cannot locate a wood stud, you have to install a wood piece on the ceiling as this heater must be securely fastened.
2. Remove the mounting bracket from the heating unit by loosening bracket screws with a wrench and slipping the handle off over the screw heads.
3. Place a washer on screws before inserting through the holes in the mounting bracket and screw them securely into a ceiling joist or wall stud.

**NOTE:** If you want to swivel the heater either to the right or left adding a washer to both sides of the bracket is recommended. A longer lag bolt may be required to properly secure the unit. See Figure 4a.

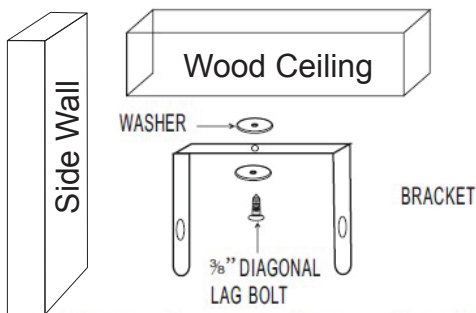


Figure 4a. Single-Screw Mounting

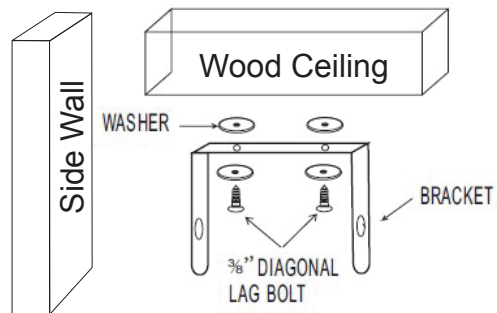


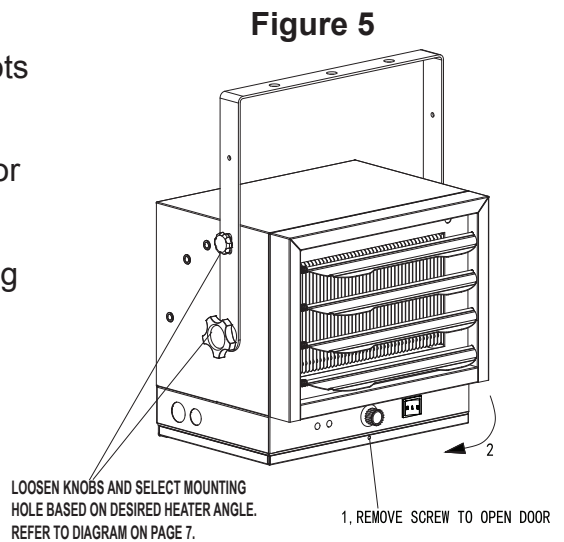
Figure 4b. Double-Screw Mounting

## HANGING THE HEATER

1. Attach the heating unit to the mounting bracket.
2. Lift the heater up and into the mounting bracket.
3. Align the bracket screws with the keyhole slots in the mounting bracket.
4. Tighten the bracket screws with a wrench so the unit is securely suspended at horizontal or vertical level.
5. The heater can be mounted with different angles listed in the drawing on page 7 as long as you maintain proper clearance listed on page 4.

## ADJUSTING AIR FLOW DIRECTION

1. To turn the unit when it has been installed with a single lag bolt (as shown in figure 4a), simply turn the entire heater as needed. The unit cannot be turned horizontally if it has been installed with 2 lag bolts.
2. To tilt the unit vertically, loosen the bracket screws (see figure 5).

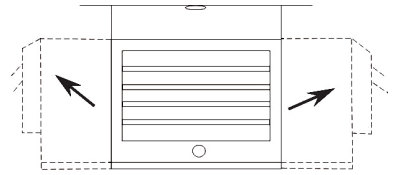


# INSTALLATION

3. Adjust louvers to the desired position (see Figure 6).

**NOTE:** The louvers are designed so they cannot be completely closed. Do not attempt to bypass this feature; damage to the unit can result.

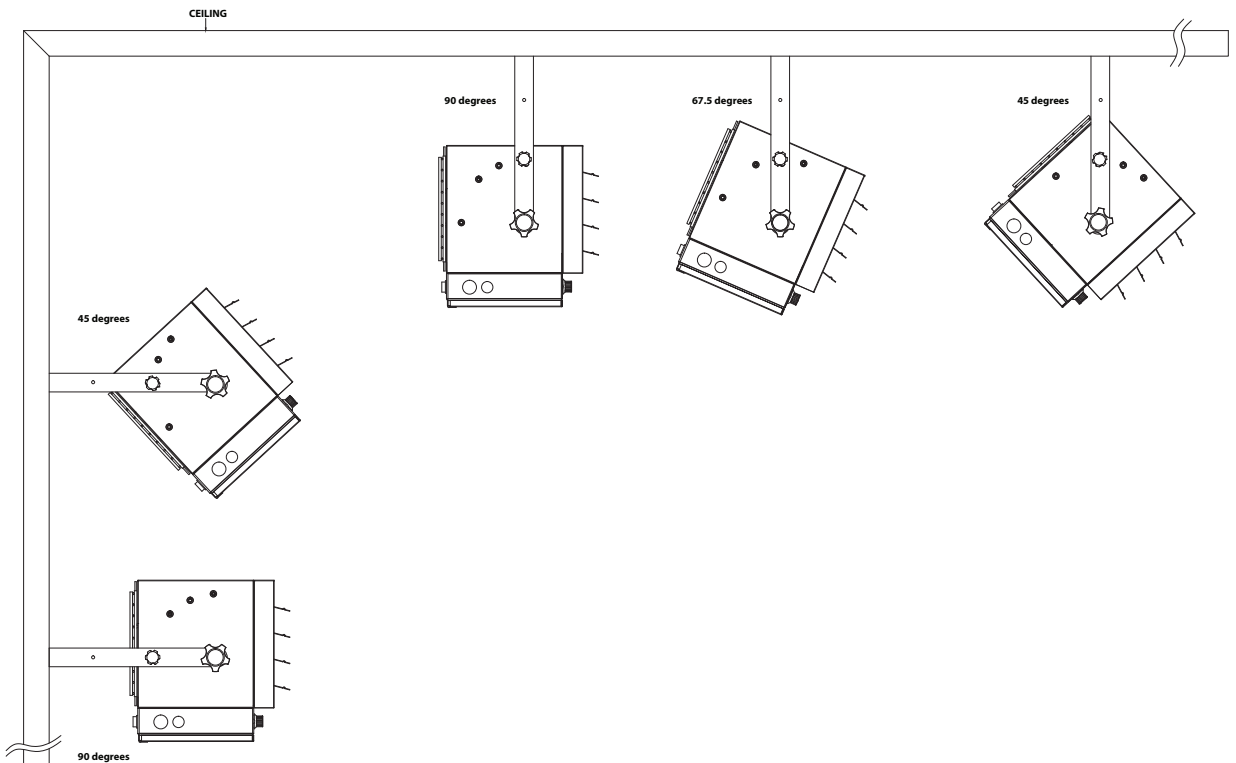
Figure 6



## ⚠ WARNING ⚠

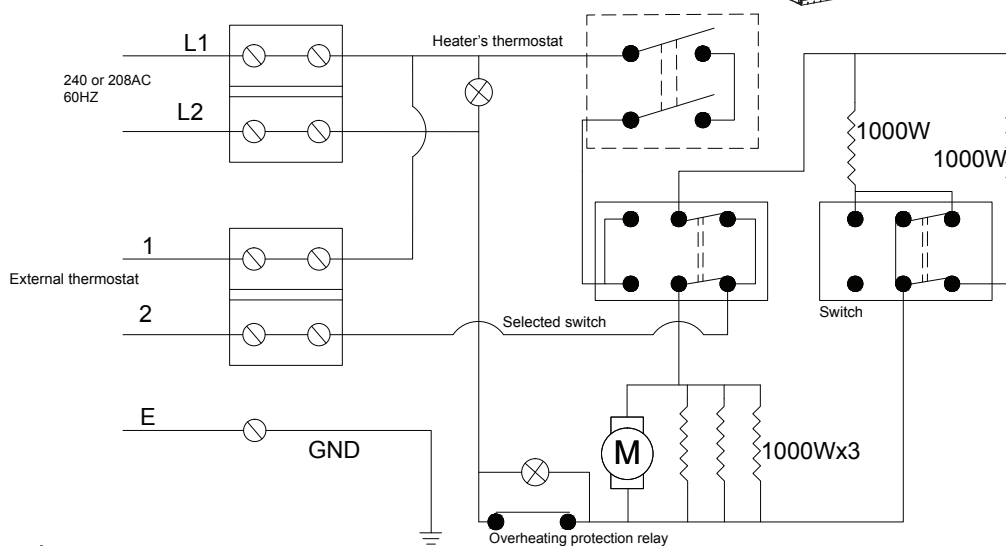
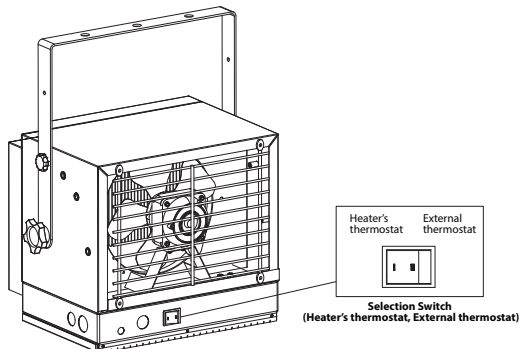
TO PREVENT POSSIBLE ELECTRIC SHOCK, DISCONNECT POWER TO THE HEATER AT THE MAIN SERVICE BOX BEFORE ATTEMPTING TO ADJUST THE HEAT OUTPUT OF THIS UNIT.

### MULTIPLE VERTICAL ANGLES



# INSTALLATION

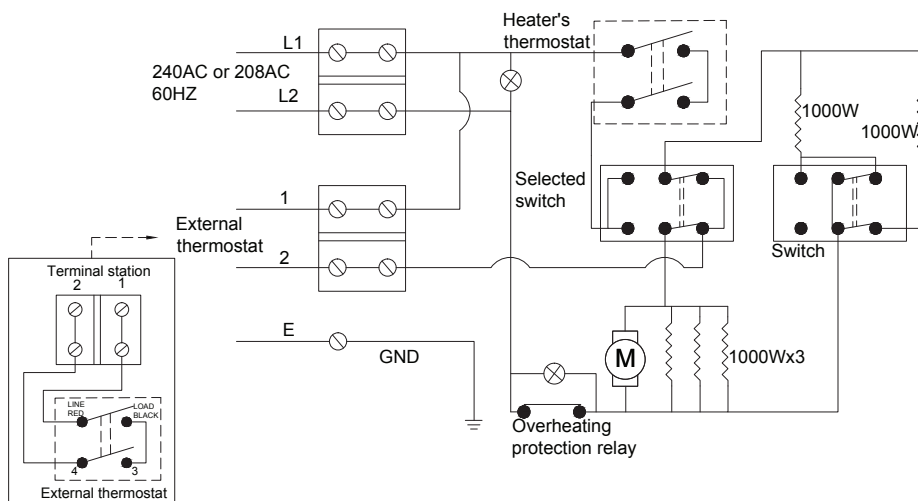
## CONNECTING THE POWER



**WARNING: DISCONNECT POWER BEFORE SERVICING.**

**If you will use an external temperature control (external thermostat) to control the heater, please follow below attention points:**

1. Make sure that the heater's temperature control knob (thermostat knob) is turned fully clockwise.
2. Connect the wire according to below wiring diagram.





# INSTALLATION

## CONNECTING THE POWER

3. The external temperature control (external thermostat): a certified thermostat must be used.
4. The lead wire of external temperature control (external thermostat) can not be less than 14AWG.

## **TO PROTECT THE HEATING ELEMENT**

When starting the heater, turning the temperature control clockwise slowly to desired heat setting, the unit starts the fan first then starts the heating element.

When shutting off the heater, turning the temperature control counter-clockwise to off, both the fan and the heating element turn off at the same time.



THIS APPLIANCE MUST BE GROUNDED!  
THE APPLIANCE MUST CONNECT TO A CURRENT PROTECTION CIRCUIT OR DEVICE  
BEFORE BEING CONNECTED TO POWER SUPPLY!

1. Remove the screw from the front of the unit to connect the power to the heater.
2. Attach the cable connectors to the unit (See Figure 7). Select power supply wire to comply with local and national electric codes using heater rating given on the rating label.

**NOTE:** All wiring must be carried out by a Certified Electrician and must be in accordance to national and local electrical codes. For certain applications, conduit may be required, See Figure 7. Check local electrical codes. If you run the wiring in conduit and wish to be able to turn the heater be sure to purchase enough flexible conduit to allow the heater to be turned.

3. Connect the wire to the power block located in the base of the heater - See Figure 7.
4. Turn on the power at the main service.



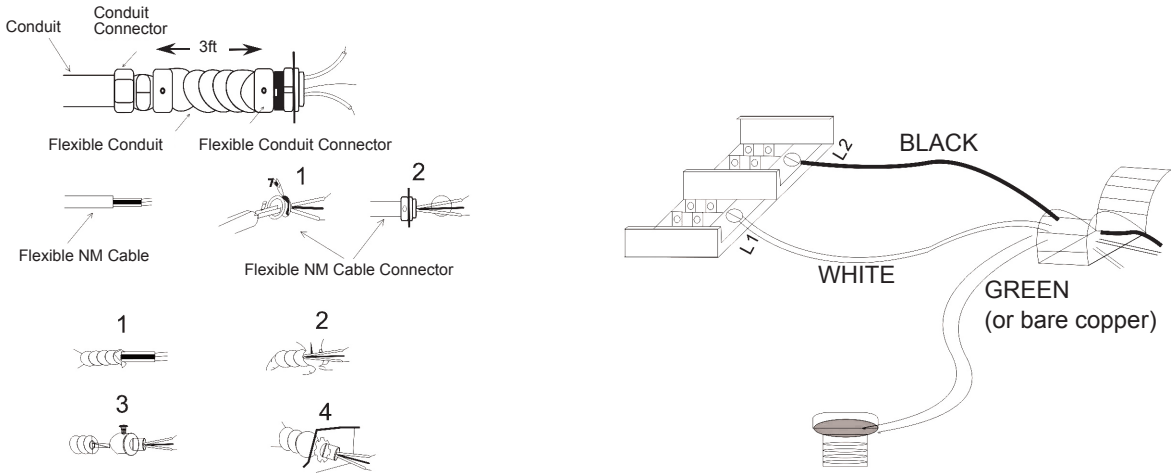
HIGH TEMPERATURES – RISK OF FIRE. KEEP FLAMMABLE MATERIALS, SUCH AS FURNITURE, PILLOWS, BEDDING, PAPERS, CLOTHES, ELECTRICAL CORDS AND CURTAINS AT LEAST 3 FT. (0.9 M) FROM THE FRONT AND TOP OF THE HEATER AND KEEP THEM AWAY FROM THE SIDES AND REAR. TO REDUCE THE RISK OF FIRE, DO NOT USE IT IN AREAS WHERE GASOLINE, PAINT OR FLAMMABLE LIQUIDS ARE USED OR STORED.



TO REDUCE THE RISK OF FIRE, DO NOT STORE OR USE GASOLINE OR OTHER FLAMMABLE VAPORS AND LIQUIDS IN THE VICINITY OF THE HEATER.

# INSTALLATION

## CONNECTING THE POWER



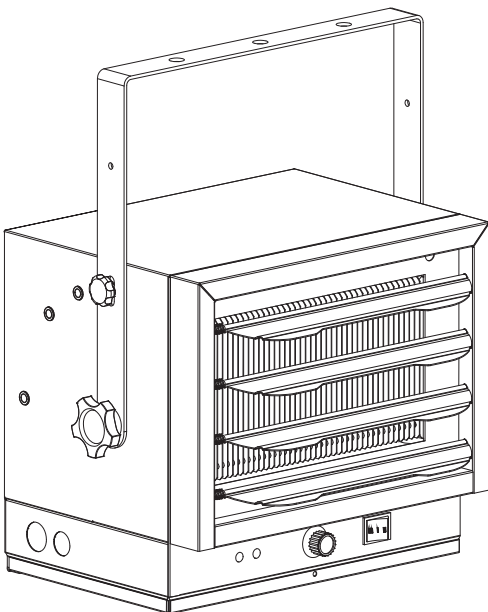
Connectors, cable, and hardware used to wire the heater

Figure 7

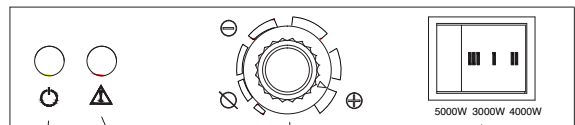
## OPERATING INSTRUCTIONS



THE HEATER MUST BE PROPERLY INSTALLED BEFORE IT IS USED.



### Control Panel



Power Indicator (Yellow)

Caution Indicator (Red)

Thermostat

Switch (3000W / 4000W / 5000W)

## OPERATING INSTRUCTIONS

Check that the garage heaters outlet grill is not covered or obstructed in anyway, and make sure the power to the unit is switched on.

### SETTING THE THERMOSTAT

1. Rotate thermostat knob clockwise to desired position, POWER INDICATOR will turn yellow.
2. After room reaches desired comfort level the heater will turn off. Heater will cycle on and off to maintain room temperature.

### SELECTION SWITCH

Using the SELECTION SWITCH, you can control the heating output: I for 3000W, II for 4000W, III for 5000W.

### THERMAL CUT-OUT

The heater will automatically shut off when parts of it overheat. The heater will turn ON again when the abnormal temperature returns to normal levels. Should the unit overheat and cause the thermal cut-out to cycle, the cause of the overheating must be determined and corrective action taken before further operation.



WHEN THE THERMAL CUT-OUT IS ACTIVATED, THE CAUTION INDICATOR WILL TURN RED. IN THIS CASE, IMMEDIATELY TURN THE HEATER OFF AND INSPECT FOR ANY OBJECTS ON OR ADJACENT TO THE HEATER THAT MAY CAUSE HIGH TEMPERATURES. DO NOT TAMPER WITH ANY OF THE CONTROLS. **DO NOT OPERATE THE HEATER WITH THE CAUTION INDICATOR GLOWING RED.**

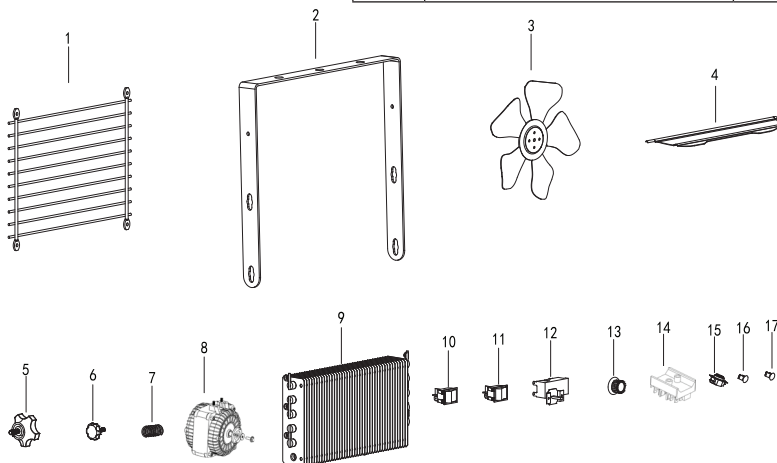
## MAINTENANCE

1. Before cleaning, make sure the power has been turned off at the circuit breaker panel and that the heating element of the heater is cool.
2. To maintain the external appearance of the heater, the unit occasionally needs to be wiped with a dry duster. During the summer months, or at other times when the appliance is not in use and is completely cold, it should be wiped over with a damp cloth.
3. Do not use abrasive cleaning powders or furniture polish. Do not use chemical or abrasive products, metallic scourers and so on, which may deteriorate the surface, to clean the appliance.
4. During the summer months, or at other times when the appliance is not in use, disconnect the power supply. Keep the appliance in a dry and cool place.
5. All other servicing should be performed by qualified service personnel. Do not try to repair the heater yourself.

**NOTE:** The motor is permanently lubricated, and no further lubrication is needed.

## REPLACEMENT PARTS

Part	Description	Part#	Part	Description	Part#
1	Back mesh	EG5000001AC	9	Heater	EG5000009AC
2	Hanging plate	EG5000002AC	10	Switch	EG5000010AC
3	Fan Blade	EG5000003AC	11	Selection Switch	EG5000011AC
4	Air guide plate	EG5000004AC	12	Thermostat	EG5000012AC
5	Large handle seat	EG5000005AC	13	Knob	EG5000013AC
6	Small handle seat	EG5000006AC	14	Terminal block	EG5000014AC
7	Spring	EG5000007AC	15	Temperature CUT-OFF	EG5000017AC
8	Motor	EG5000008AC	16	Caution Indicator (Red)	EG5000018AC
			17	Power Indicator (Yellow)	EG5000019AC



## TROUBLESHOOTING

PROBLEM	ROOT CAUSE	CORRECTIVE ACTION
Unit is not heating.	The overheat protection has activated.	Inspect the garage heater and check that the air inlets and outlets are not blocked as this may cause overheating. Switch off the circuit breaker to the garage heater for 30 minutes and allow it to cool down. Turn the power back on and operate.
	The breaker has tripped	Reset the breaker at the fuse panel and restart the heater
	The room temperature has already reached the set thermostat temperature	Adjust the temperature setting to make sure the thermostat setting temperature is higher than current room temperature.
Garage heater emits a burning smell	During production dust and/or oil debris gathered on heating coils.	Make sure the room is well ventilated. Allow the garage heater to run until the smell is dissipated.
	Check and make sure there is no combustible material within 0.9 meters (3 feet) of the garage heater.	Remove the combustible material around the garage heater.
	This heater must be mounted at least 8 feet off the floor, for specific clearances, please check the "LOCATING HEATER" section in the instruction manual	Relocate the garage heater so there is enough space between the heater and adjacent wall and floor.



# Warranty

## LIMITED WARRANTY:

This limited warranty is extended to the original retail purchaser of this Forced Air/Convection/Radiant Heater and warrants against any defect in materials and workmanship for a period of one (1) year from the date of retail sale. GHP Group, Inc., at its option, will either provide replacement parts or replace or repair the unit, when properly returned to the retailer where purchased or one of our service centers as directed by GHP Group, Inc., within one (1) year of retail purchase. (Shipping costs, labour costs, etc. are the responsibility of the purchaser.)

## DUTIES OF THE OWNER:

This heating appliance must be operated in accordance with the written instructions furnished with this heater. This warranty shall not excuse the owner from properly maintaining this heater in accordance with the written instructions furnished with this heater. A bill of sale, canceled check or payment record must be kept to verify purchase data and establish warranty period. Original carton should be kept in case of warranty return of unit.

## WHAT IS NOT COVERED:

1. Damage resulting from use of improper fuel.
2. Damage caused by misuse or use contrary to the owners manual and safety guidelines.
3. Damage caused by a lack of normal maintenance.
4. Fuses
5. Use of non-standard parts or accessories.
6. Damage caused in transit. Freight charges on warranty parts or heaters to and from the factory shall be the responsibility of the owner.

This warranty does not imply or assume any responsibility for consequential damages that may result from the use, misuse, or the lack of routine maintenance of this heating appliance. A cleaning fee and the cost of parts may be charged for appliance failures resulting from lack of maintenance. This warranty does not cover claims which do not involve defective workmanship or materials. **FAILURE TO PERFORM GENERAL MAINTENANCE (INCLUDING CLEANING) WILL VOID THIS WARRANTY.**

THIS LIMITED WARRANTY IS GIVEN TO THE PURCHASER IN LIEU OF ALL OTHER WARRANTIES, EXPRESSED OR IMPLIED, INCLUDING BUT NOT LIMITED TO THE WARRANTIES OF MERCHANTABILITY OF FITNESS FOR A PARTICULAR PURPOSE. THE REMEDY PROVIDED IN THIS WARRANTY IS EXCLUSIVE AND IS GRANTED IN LIEU OF ALL OTHER REMEDIES. IN NO EVENT WILL GHP GROUP, INC. BE LIABLE FOR INCIDENTAL OR CONSEQUENTIAL DAMAGES.

Some states do not allow limitations on how long an implied warranty lasts, so the above limitation may not apply to you. Some states do not allow the exclusion or limitation of incidental or consequential damages so the above limitation or exclusion may not apply to you.

## CLAIMS HANDLED AS FOLLOWS:

1. Contact your retailer and explain the problem.
2. If the retailer is unable to resolve the problem, contact our Customer Service Dept. detailing the heater model, the problem, and proof of date of purchase.
3. A representative will contact you. DO NOT RETURN THE HEATER TO GHP GROUP, INC. unless instructed by our Representative. This warranty gives you specific legal rights and you may also have other rights which vary from state to state.

TO REGISTER THE WARRANTY ON YOUR HEATER, PLEASE FILL OUT THIS CARD COMPLETELY AND MAIL WITHIN 14 DAYS FROM DATE OF PURCHASE OR REGISTER ON-LINE AT [www.ghpgroupinc.com](http://www.ghpgroupinc.com)

NAME: \_\_\_\_\_ PHONE: (    ) \_\_\_\_\_ EMAIL: \_\_\_\_\_  
ADDRESS: \_\_\_\_\_ CITY: \_\_\_\_\_ STATE: \_\_\_\_\_ ZIP: \_\_\_\_\_  
MODEL: \_\_\_\_\_ SERIAL#: \_\_\_\_\_ DATE PURCHASED: \_\_\_\_\_  
DEALER PURCHASED FROM: \_\_\_\_\_ TYPE OF STORE: \_\_\_\_\_  
CITY & STATE WHERE PURCHASED: \_\_\_\_\_ PRICE PAID: \_\_\_\_\_

**Please Take 1 Minute To Give Us Your Answers To The Following Questions.  
All Responses Used Solely For Market Research And Are Held In Strict Confidence.**

Who primarily decided this purchase?  Male  Female  18-24  25-39  40-59  60 and over of age?  
Do you own any other portable heaters?  Yes  No If yes, type \_\_\_\_\_ brand \_\_\_\_\_  
How do you intend to use your new heater?  Construction Site  Farm  Warehouse/Commercial  Garage/Outbuilding  Other  
How did you become aware of this heater?  In-Store Display  Newspaper Ad  Magazine Ad  Friend/Relative  
 TV Commercial  Store Salesperson  Other \_\_\_\_\_  
What made you select this heater?  Style  Size/Portability  Price  Package  Brand  Other \_\_\_\_\_  
Do you:  Own  Rent Would you recommend this heater to a friend?  Yes  No  
Please give us your comments \_\_\_\_\_

THANK YOU FOR COMPLETING THIS FORM!  
Information will be held confidential.

## **WARRANTY REGISTRATION**

**IMPORTANT:** We urge you to fill out your warranty registration card within fourteen (14) days of date of purchase. You can also register your warranty on the internet at [www.ghpgroupinc.com](http://www.ghpgroupinc.com). Complete the entire serial number. Retain this portion of the card for your records.



**GHP Group, Inc.**  
6440 W Howard St  
Niles, IL 60714-3302

Tel: (877) 447-4768  
[www.ghpgroupinc.com](http://www.ghpgroupinc.com)

**SAVE THIS CARD!**

Place  
Postage  
Stamp  
Here

**GHP Group, Inc.**  
6440 W Howard St  
Niles, IL 60714-3302



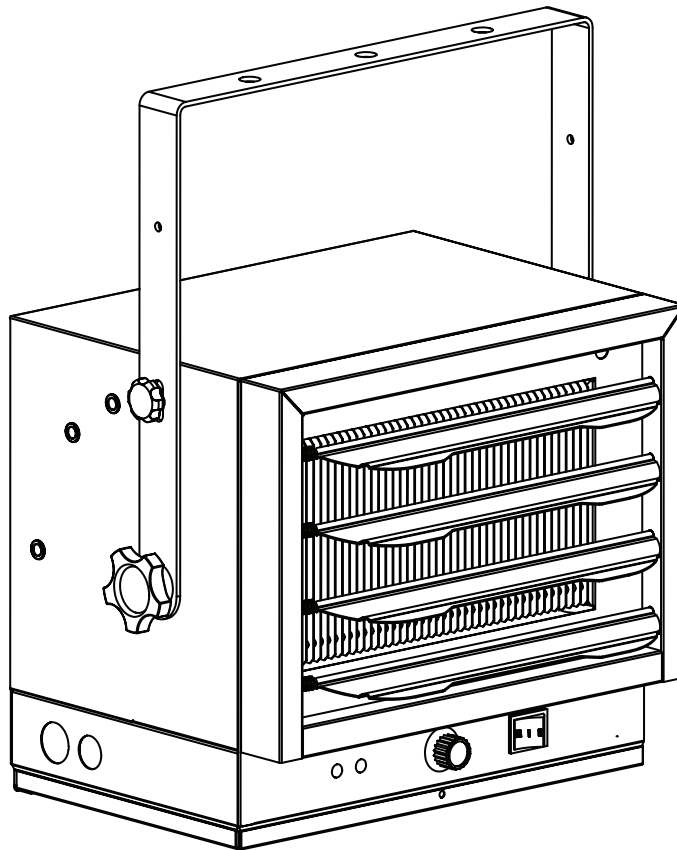
Dyna-Glo<sup>®</sup> PRO

EG5000DGP

## Calefactor de garaje eléctrico

5,000W / 240V / 17,060 BTU

## INSTRUCCIONES DE INSTALACIÓN Y MANTENIMIENTO



C US  
CSA C22.2 No. 46-13  
UL 2021

Antes de utilizar por primera vez este calentador, lea este MANUAL DEL USUARIO atentamente. Este MANUAL DEL USUARIO ha sido diseñado para instruirle la forma adecuada de ensamblar el calentador, brindarle mantenimiento, guardarlo y lo más importante: cómo hacerlo funcionar de manera segura y eficaz. Conserve este manual para referencia futura.

**CONSUMIDOR: Conserve este manual para referencia futura.**

¿Preguntas, problemas, partes faltantes? Antes de regresar al distribuidor, llame a nuestro departamento de servicio al 877-447-4768 de 8:00 a.m. a 4:30 p.m. hora estándar del centro, de lunes a viernes o envíenos un correo electrónico a [customerservice@ghpgroupinc.com](mailto:customerservice@ghpgroupinc.com).

# INSTRUCCIONES IMPORTANTES



**IMPORTANTE:** Requiere instalación profesional.  
Solo un electricista certificado puede instalar y reparar este producto.



**ESTE CALEFACTOR REQUIERE INSTALACIÓN CABLEADA (SIN ENCHUFE). LA INSTALACIÓN DE ESTE PRODUCTO DEBE REALIZARLA UN ELECTRICISTA CERTIFICADO EN CONFORMIDAD CON TODOS LOS CÓDIGOS ELÉCTRICOS LOCALES Y NACIONALES.**

Al usar electrodomésticos, siempre se deben respetar las precauciones básicas para reducir el riesgo de incendio, choques eléctricos y lesiones personales, incluidas las siguientes:

1. Lea todas las instrucciones antes de instalar o usar este calefactor.
  2. Este calefactor se calienta cuando está en uso. Para evitar quemaduras, no toque las superficies calientes con la piel descubierta. Mantenga los materiales combustibles, como cable eléctricos, muebles, almohadas, ropa de cama, papeles, vestimenta, cortinas, etc. a una distancia mínima de 3 pies (0,90 m) de la parte frontal del calefactor, y alejados de los laterales y de la parte trasera.
  3. Se debe tener sumo cuidado al usar calefactores junto a niños o personas inválidas, o cerca de ellos, y en todo momento en que el calefactor se deje prendido y desatendido.
  4. Siempre desconecte la alimentación al calefactor cuando no esté en uso.
  5. No ponga en funcionamiento ningún calefactor después de que haya fallado. Desconecte la energía en el panel de servicio y haga que un electricista acreditado inspeccione el calentador antes de reutilizarlo.
  6. No lo utilice al aire libre.
  7. Este calefactor no está diseñado para usarse en baños, lavaderos o lugares cubiertos similares. No ubique el calefactor en un lugar donde pueda caerse dentro de una bañera u otro contenedor de agua.
  8. No inserte ni permita que ingresen objetos extraños en ninguna abertura de ventilación o escape porque podrían provocar un choque eléctrico, un incendio o daños en el calefactor.
  9. Para evitar posibles incendios, no bloquee las tomas de aire ni el conducto de escape de ninguna manera. No haga funcionar el calefactor sobre superficies blandas, como una cama, donde las aberturas puedan bloquearse.
  10. El calefactor contiene piezas internas que se calientan, forman arcos eléctricos o generan chispas. No lo use en áreas donde se utilice o se guarde gasolina, pintura o líquidos inflamables.
  11. Utilice este calefactor solo como se describe en este manual. Otros usos no recomendados por el fabricante podrían provocar incendios, choques eléctricos o lesiones personales.
  12. Para desconectar el calentador, apague los controles y apague el circuito del calentador en el panel de desconexión principal.
  13. Si se enciende la luz roja de alarma en la parte frontal de la unidad, apague inmediatamente el calentador e inspeccione si hay objetos en el calentador o adyacentes al mismo que puedan haber bloqueado el flujo de aire o haber causado altas temperaturas.
- NO OPERÉ EL CALENTADOR CON LA LUZ DE ALARMA ILUMINADA.**

**ADVERTENCIA PARA DUEÑOS DE MASCOTAS:** Algunas mascotas pequeñas, incluidos los pájaros, son muy sensibles a la exposición de los humos que se producen durante el uso de electrodomésticos por primera vez. Estos humos no son dañinos para los seres humanos, pero le recomendamos que no utilice el calefactor cerca de pájaros y mascotas pequeñas durante el primer uso de la unidad hasta que los recubrimientos anticorrosivos se quemen por completo.

## GUARDE ESTAS INSTRUCCIONES



**ADVERTENCIA**



Este producto puede exponerlo a usted a agentes químicos incluyendo ftalato de diisononilo (DINP), reconocido por el estado de California como causante de cáncer, así como ftalatos de diisodécilo (DIDP), reconocidos por el estado de California como causantes de defectos congénitos y otros daños al sistema reproductor.

**Para obtener más información, visite [www.p65Warnings.ca.gov](http://www.p65Warnings.ca.gov)**

## CONTENIDO

<u>ARTÍCULO</u>	<u>PÁGINA</u>
ESPECIFICACIONES .....	19
INFORMACIÓN GENERAL SOBRE SEGURIDAD .....	19
UBICACIÓN DEL CALEFACTOR.....	20
PRE-INSTALACIÓN .....	21
INSTALACIÓN.....	22
INSTRUCCIONES DE USO .....	26
MANTENIMIENTO Y LIMPIEZA .....	28
PIEZAS DE REPUESTO .....	28
SOLUCIÓN DE PROBLEMAS .....	29

## ESPECIFICACIONES

Índice	Configuración del interruptor	Voltios	Fase	Hz	Amperios	BTU/hora
5000W	III	240	1	60	20.9	17065
3700W	III	208	1	60	17.8	12624
4000W	II	240	1	60	16.7	13648
3000W	II	208	1	60	14.4	10236
3000W	I	240	1	60	12.5	10236
2260W	I	208	1	60	10.9	7711

## INFORMACIÓN SOBRE SEGURIDAD



### ADVERTENCIA



ESTE CALEFACTOR REQUIERE UNA INSTALACIÓN CABLEADA FIJA (SIN ENCHUFE). A LA INSTALACIÓN LA DEBE REALIZAR UN ELECTRICISTA CERTIFICADO Y SE DEBE EFECTUAR DE CONFORMIDAD CON TODOS LOS CÓDIGOS LOCALES Y NACIONALES DE ELECTRICIDAD.

**NOTA: COMPATIBLE CON UN TERMOSTATO DE PARED BIPOLAR CON TENSIÓN DE LÍNEA DE 240 V. DEBE SER INSTALADO POR UN ELECTRICISTA CERTIFICADO.**

LEA Y COMPRENDA TODAS LAS INSTRUCCIONES DE INSTALACIÓN Y FUNCIONAMIENTO, Y RESPETE TODAS LAS INSTRUCCIONES DE SEGURIDAD.

1. Utilice solo cables de cobre calificados para 60°C como mínimo.
2. El flujo de aire del calefactor se debe orientar de modo que quede paralelo a la pared adyacente o en dirección contraria a ella.
3. Respete los requisitos de espacio libre hacia la pared, el piso y el techo.
4. Todo el cableado se debe realizar de conformidad con los códigos nacionales y locales de electricidad de Estados Unidos y el calefactor debe estar conectado a tierra como precaución contra posibles choques eléctricos. El circuito del calefactor se debe proteger con fusibles apropiados.
5. La estructura de montaje y la tornillería de anclaje deben poder soportar de modo confiable el peso del calefactor y del soporte de montaje, si se lo utiliza.

## INFORMACIÓN SOBRE SEGURIDAD

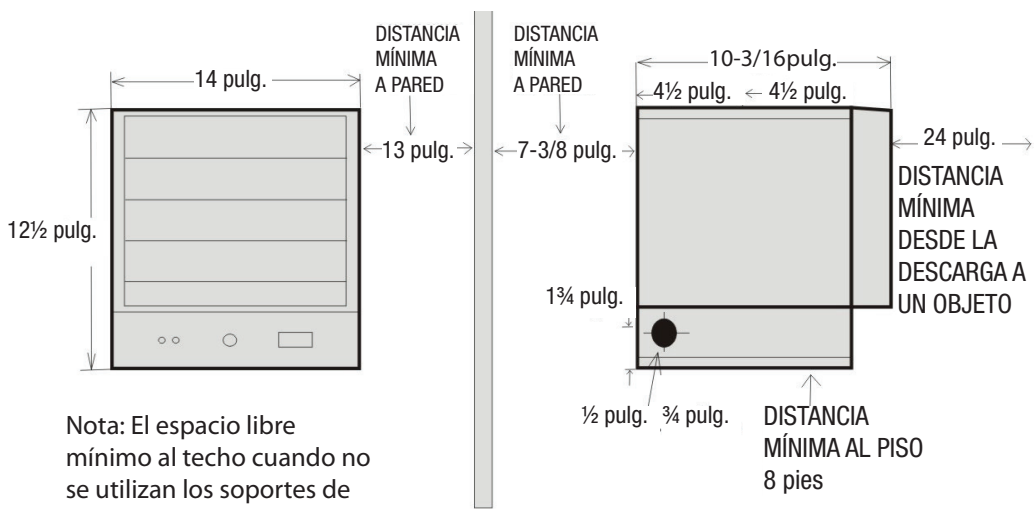
6. Se debe desconectar la alimentación eléctrica y bloquear la caja de servicio eléctrico antes de inspeccionar el calefactor, limpiarlo o realizarle mantenimiento. Esta es una precaución para evitar choques eléctricos graves.
7. Este calefactor no es apropiado para utilizarlo en ubicaciones peligrosas tal como las define la Asociación Nacional de Protección contra Incendios (NFPA, por su sigla en inglés) de Estados Unidos. El calefactor contiene piezas internas que se calientan, forman arcos eléctricos o generan chispas. No lo use en áreas donde se utilice o se guarde gasolina, pintura o líquidos inflamables.
8. Este calefactor no es apropiado para utilizarlo en atmósferas corrosivas, como zonas marinas, invernaderos o áreas de almacenamiento de productos químicos.
9. Este calefactor debe estar ubicado a 8 pies del piso, como mínimo. Para las distancias libres específicas, vea la figura 2.

### ⚠ ADVERTENCIA ⚠

INSTALAR INCORRECTAMENTE O NO RESPETAR LOS PROCEDIMIENTOS DESCRITOS EN ESTE MANUAL DE INSTRUCCIONES PUEDE DAR LUGAR A CHOQUES ELÉCTRICOS GRAVES.

## UBICACIÓN DEL CALEFACTOR

Instale el calefactor fuera de las zonas de tránsito y mantenga los espacios libres indicados en la figura 2. La dirección del flujo de aire no debe estar restringida por columnas o máquinas. El flujo de aire solo debe rozar las paredes y no dirigirse directamente a ellas. Cuando se utiliza más de un calefactor en un área, los calefactores se deben disponer de modo que la descarga de aire de cada uno acompañe el flujo de aire de los otros para proporcionar una circulación óptima de aire caliente, como se indica en la figura 3.



Nota: El espacio libre mínimo al techo cuando no se utilizan los soportes de montaje es de 1-5/8 pulg.

VISTA FRONTAL

**Figura 2**

ALTURA MÁXIMA DE MONTAJE DESDE:  
 Unidad para proporcionar aire vertical = 11 pies  
 Unidad para proporcionar aire horizontal = 8 pies

VISTA LATERAL

## UBICACIÓN DEL CALEFACTOR

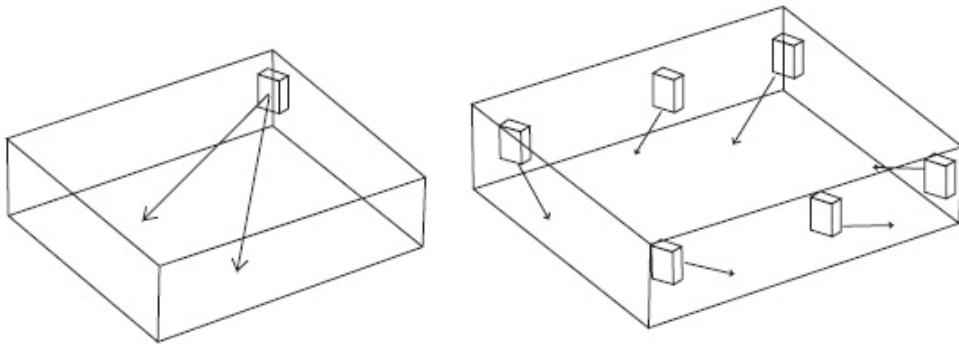
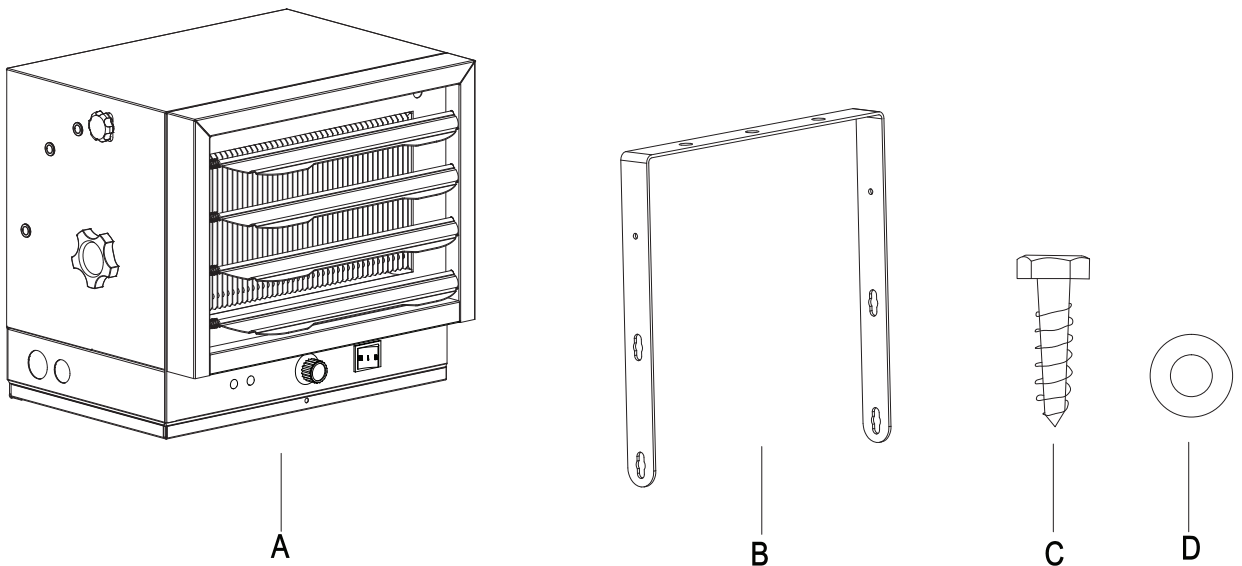


Figura 3

## PRE-INSTALACIÓN



Parte	Descripción	Cantidad
A	Calentador de garaje	1
B	Soporte de montaje	1
C	Tornillo	3
D	Arandela	6

# INSTALACIÓN

## MONTAR EL SOPORTE

Consulte las figuras 4a y 4b.

1. Localice un montante de madera en la viga del techo de madera. Solo para techo, si no puede localizarlo, debe instalar una pieza de madera en el techo porque el calefactor se debe sujetar de forma segura.
2. Retire el soporte de montaje de la unidad calefactora; para esto, afloje los tornillos del soporte con una llave y deslice la manija por afuera y por encima de las cabezas de los tornillos.
3. Coloque una arandela en los tornillos antes de insertarlos a través de los orificios del soporte de montaje y atorníllelos firmemente en la viga del techo o montante de pared.

**NOTA:** Si desea que el calefactor gire hacia la derecha o hacia la izquierda, se recomienda agregar una arandela a ambos lados del soporte. Es posible que se necesite un tirafondo más largo para sujetar la unidad correctamente. Consulte la figura 4a.

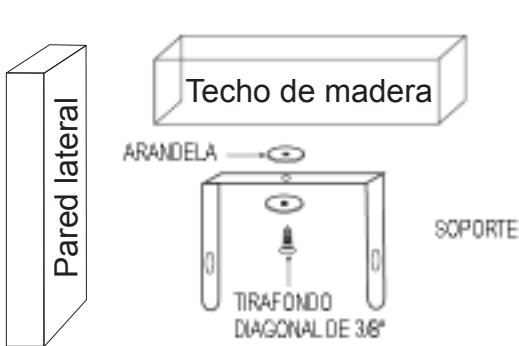


Figura 4a. Montaje de un solo tornillo

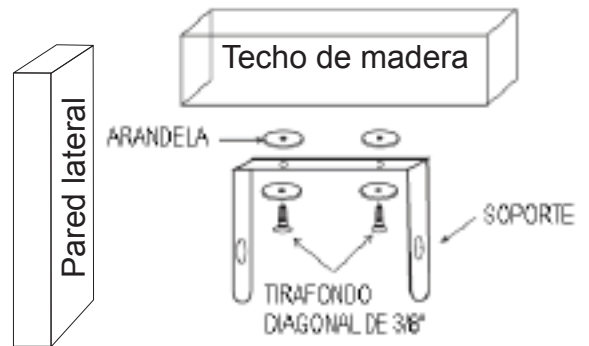
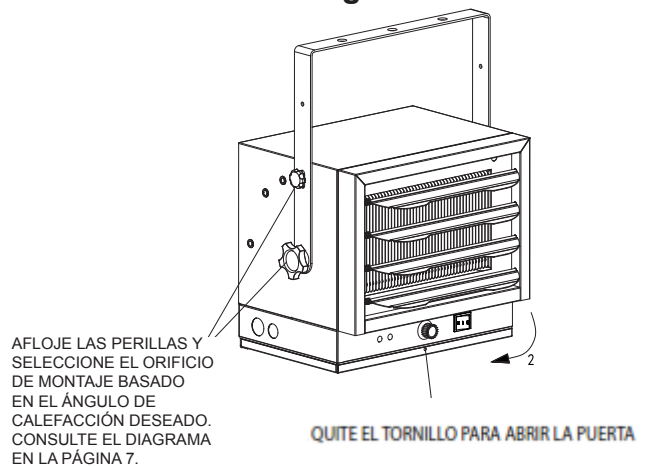


Figura 4b. Montaje de dos tornillos

## COLGAR EL CALEFACTOR

1. Fije la unidad calefactora al soporte de montaje.
2. Eleve el calefactor y colóquelo en el soporte de montaje.
3. Alinee los tornillos del soporte con las ranuras tipo bocallave del soporte de montaje.
4. Ajuste los tornillos del soporte con una llave para que la unidad quede suspendida firmemente en el nivel horizontal o vertical.
5. El calefactor puede montarse en los diferentes ángulos enumerados en el dibujo de la página 7 siempre y cuando se mantengan las distancias libres mínimas específicas enumeradas en la página 4.

Figura 5



## AJUSTAR LA DIRECCIÓN DEL FLUJO DE AIRE

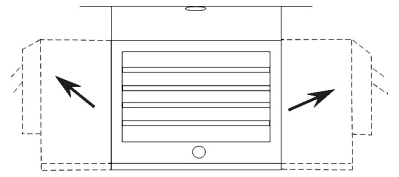
1. Para girar la unidad, cuando esta se ha instalado con un solo tirafondo (como se muestra en la figura 4a), simplemente gire todo el calefactor según sea necesario. La unidad no se puede girar en sentido horizontal si se instaló con 2 tirafondos.
2. Para inclinar la unidad verticalmente, afloje los tornillos del soporte (consulte la figura 5).

# INSTALACIÓN

3. Ajuste las rejillas a la posición deseada (consulte la figura 6).

**NOTA:** Las rejillas están diseñadas para que no se puedan cerrar por completo. No intente hacerlo porque puede dañar la unidad.

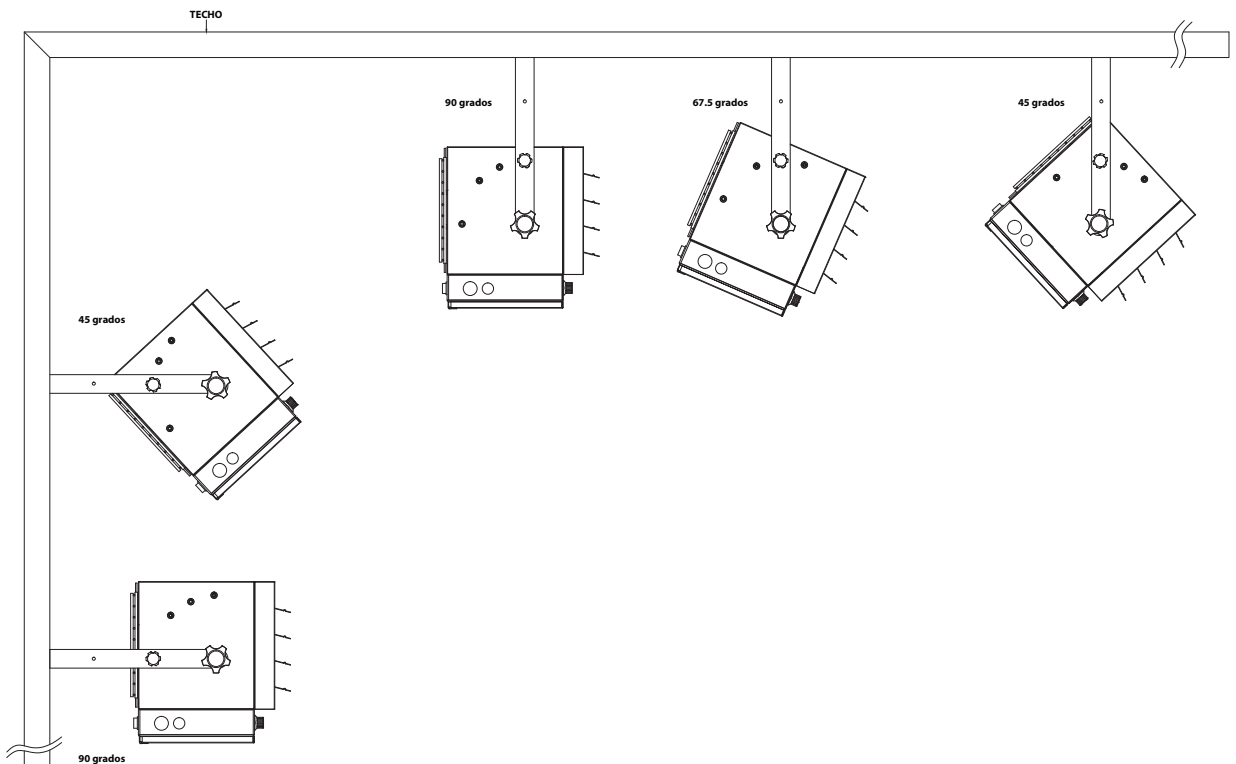
Figura 6



## ⚠ ADVERTENCIA ⚠

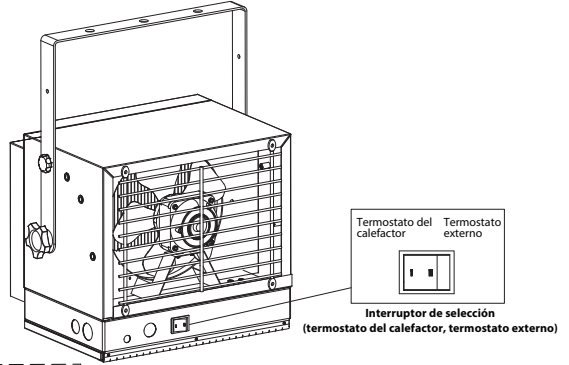
PARA EVITAR POSIBLES CHOQUES ELÉCTRICOS, DESCONECTE LA ALIMENTACIÓN AL CALEFACTOR EN LA CAJA DE SERVICIO ELÉCTRICO ANTES DE INTENTAR AJUSTAR LA SALIDA DE CALOR DE LA UNIDAD.

## MÚLTIPLES ÁNGULOS VERTICALES

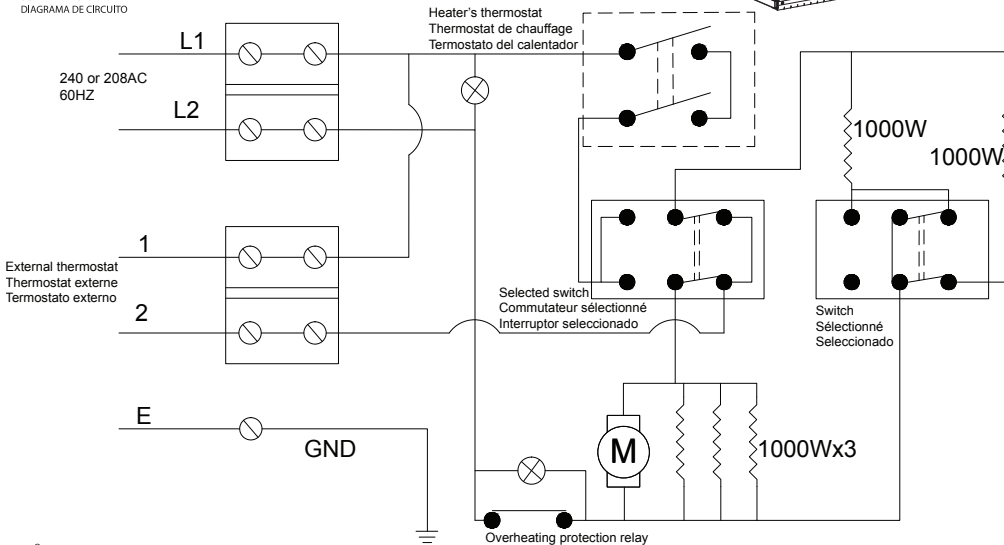


# INSTALACIÓN

## CONEXIÓN DE LA ALIMENTACIÓN



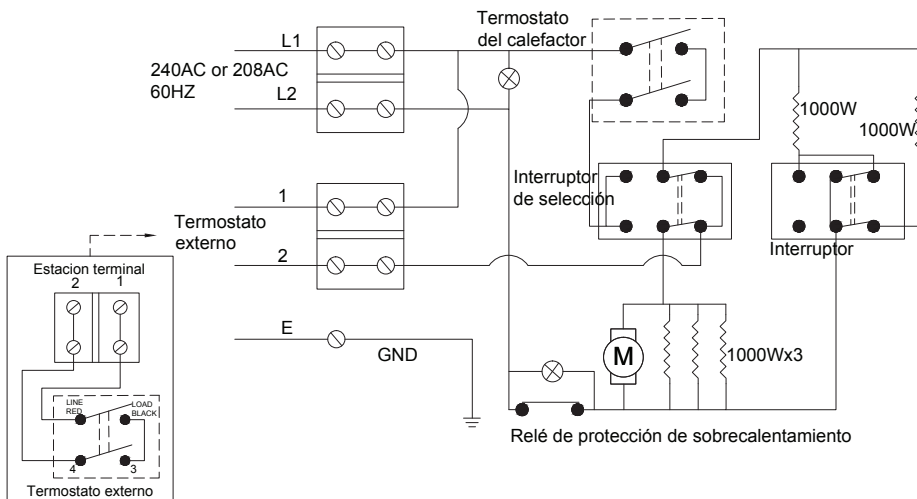
CIRCUIT DIAGRAM  
SCHEMA DE CÂBLAGE  
DIAGRAMA DE CIRCUITO



**WARNING: DISCONNECT POWER BEFORE SERVICING.**  
**AVERTISSEMENT: COUPEZ L'ALIMENTATION AVANT D'EFFECTUER L'ENTRETIEN.**  
**ADVERTENCIA: DESCONECTE LA FUENTE DE ALIMENTACIÓN ANTES DE DAR MANTENIMIENTO.**

**Si utiliza un control de temperatura externo (termostato externo), siga los puntos de atención que se detallan a continuación:**

1. Asegúrese de que la perilla de control de temperatura del calefactor (perilla del termostato) esté totalmente girada en el sentido de las agujas del reloj.
2. Conecte el cable según el diagrama de cableado a continuación.





# INSTALACIÓN

## CONEXIÓN DE LA ALIMENTACIÓN

3. El control de la temperatura externa (termostato externo): un termostato certificado debe ser utilizado.
4. El cable principal del control de temperatura externo (termostato externo) no puede ser de un calibre inferior a 14 AWG.

## PARA PROTEGER EL ELEMENTO CALEFACTOR

Cuando esté poniendo en marcha el calefactor, girando el control de temperatura en el sentido de las agujas del reloj lentamente hasta la temperatura deseada, la unidad pondrá en marcha el ventilador primero y luego pondrá en marcha el elemento calefactor.

Cuando apague el calefactor, al girar el control de temperatura en sentido contrario a las agujas del reloj lentamente, hasta la posición de apagado, la unidad primero apagará el elemento calefactor y luego el ventilador.



## ADVERTENCIA

ESTE ELECTRODOMÉSTICO DEBE ESTAR CONECTADO A TIERRA.

**¡EL ELECTRODOMÉSTICO DEBE ESTAR CONECTADO A UN CIRCUITO O DISPOSITIVO DE PROTECCIÓN DE CORRIENTE ANTES DE CONECTARSE A LA FUENTE DE ALIMENTACIÓN!**

1. Quite el tornillo del frente de la unidad para conectar la alimentación al calefactor.
2. Fije los conectores de cables a la unidad (consulte la figura 6). Seleccione un cable de alimentación eléctrica que cumpla con los códigos eléctricos locales y nacionales utilizando la clasificación de calefacción dada en la etiqueta de clasificación.

**NOTA:** A todo el cableado lo debe realizar un electricista certificado y se debe efectuar de conformidad con los códigos nacionales y locales de electricidad. Es posible que se necesiten conductos en el caso de determinadas aplicaciones; consulte la figura 6. Verifique los códigos locales de electricidad. Si se tiende el cableado en conductos y se desea girar el calefactor, asegúrese de comprar una cantidad suficiente de conducto flexible que permita girar el calefactor.

3. Conecte el cable al bloque de terminales de alimentación ubicado en la base del calefactor; consulte la figura 7.
4. Conecte la alimentación en la caja de servicio eléctrico.



## ADVERTENCIA



TEMPERATURAS ELEVADAS: RIESGO DE INCENDIO. MANTENGA LOS MATERIALES COMBUSTIBLES, COMO MUEBLES, ALMOHADAS, ROPA DE CAMA, PAPELES, VESTIMENTA, CABLES ELÉCTRICO, Y CORTINAS, A UNA DISTANCIA MÍNIMA DE 3 PIES (0,90 M) DE LA PARTE FRONTAL Y SUPERIOR DEL CALEFACTOR, Y ALEJADOS DE LOS LATERALES Y DE LA PARTE TRASERA.



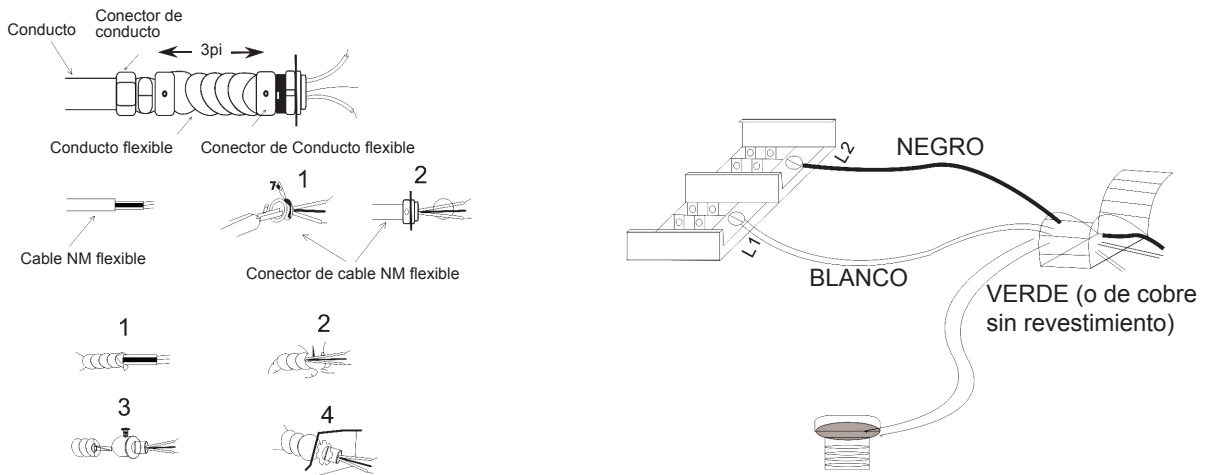
## ADVERTENCIA



PARA REDUCIR EL RIESGO DE INCENDIO, NO ALMACENE NI USE GASOLINA U OTROS VAPORES Y LÍQUIDOS INFLAMABLES CERCA DEL CALENTADOR.

# INSTALACIÓN

## CONEXIÓN DE LA ALIMENTACIÓN



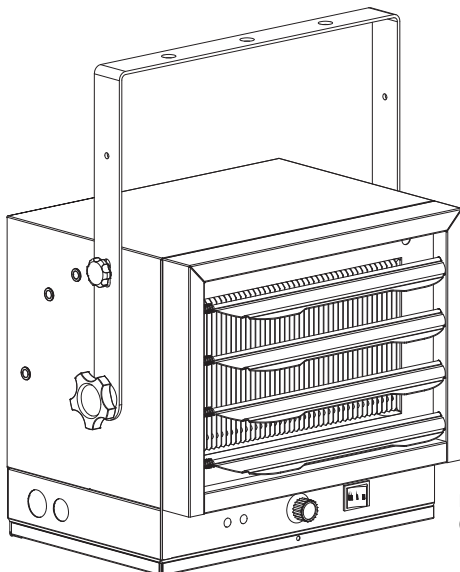
Conectores, cable y demás elementos utilizados para el cableado del calefactor

Figura 7

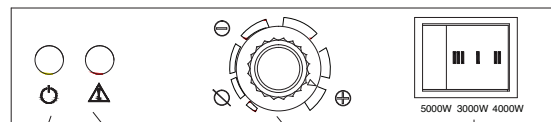
# INSTRUCCIONES DE USO



ANTES DE SU USO, EL CALEFACTOR SE DEBE INSTALAR CORRECTAMENTE.



## Panel de control



Indicador de encendido (amarillo)

Indicador de precaución (rojo)

Termostato

Interruptor (3000W / 4000W / 5000W)

## INSTRUCCIONES DE USO

Revise que la parrilla de salida del calefactor de garaje no esté tapada ni obstruida de ninguna manera, y asegúrese de que la unidad esté encendida.

### AJUSTAR EL TERMOSTATO

1. Gire la perilla del termostato en el sentido de las agujas del reloj a la posición máxima, el INDICADOR DE ENCENDIDO se iluminará en color amarillo.
2. Una vez que en el lugar se alcance el nivel de temperatura deseado, gire la perilla del termostato en sentido contrario a las agujas del reloj hasta la posición OFF (Apagado). El calefactor se prenderá y se apagará para mantener la temperatura ambiente.

### SELECTOR

Utilice el SELECTOR para controlar la salida de calor: I por 3000W, II por 4000W, III por 5000W.

### DESCONEXIÓN DE PROTECCIÓN TÉRMICA

El calefactor se apagará automáticamente cuando detecte recalentamiento de alguna pieza. Se encenderá nuevamente cuando la temperatura anormal vuelva a niveles normales. En caso de que la unidad sufra un recalentamiento que haga que se encienda y se apague mediante la desconexión de protección térmica, se debe determinar la causa del recalentamiento e implementar acciones correctivas antes de volver a poner en funcionamiento la unidad.



## PRECAUCIÓN



CUANDO SE ACTIVA LA DESCONEXIÓN DE PROTECCIÓN TÉRMICA, EL INDICADOR DE PRECAUCIÓN SE ILUMINARÁ EN COLOR ROJO. EN ESE CASO, APAGUE EL CALEFACTOR DE INMEDIATO Y CONTROLE QUE NO HAYA OBJETOS SOBRE EL CALEFACTOR O EN EL ÁREA ADYACENTE QUE PUEDAN HABER PROVOCADO EL AUMENTO DE TEMPERATURA. NO MANIPULAR LOS CONTROLES. **NO HAGA FUNCIONAR EL CALEFACTOR SI EL INDICADOR DE PRECAUCIÓN ESTÁ ENCENDIDO EN ROJO.**

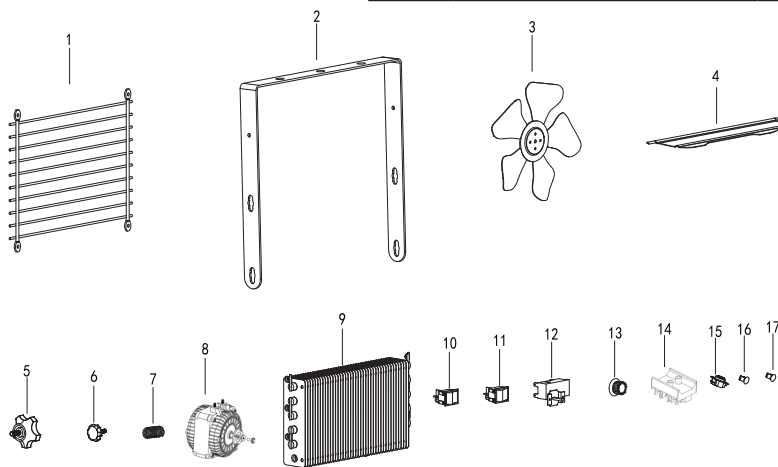
## MANTENIMIENTO

1. Antes de realizar una limpieza, asegúrese de que la alimentación haya sido desconectada en el panel de interruptores de circuito y de que el elemento calefactor esté frío.
2. En cuanto al mantenimiento del aspecto externo del radiador, solo se necesita repasar, de vez en cuando, la superficie utilizando un paño seco. El mejor momento para repasar la unidad con un paño húmedo es cuando el electrodoméstico está completamente frío, y esto ocurre en los meses de verano o en otras oportunidades en que no se lo utiliza por tiempo prolongado.
3. No utilice polvos de limpieza abrasivos ni cera para muebles. Para limpiar el electrodoméstico, no utilice productos químicos ni abrasivos, ni estropajos metálicos que podrían dañar la superficie.
4. Durante los meses de verano o en otras oportunidades en que no se utilice el electrodoméstico, desconecte el suministro de alimentación. Guarde el electrodoméstico en un lugar seco y fresco.
5. Todos los demás servicios de mantenimiento deben ser realizados por técnicos calificados. No intente reparar el calefactor usted mismo.

**NOTA:** El motor está permanentemente lubricado y no se necesita más lubricación.

## PIEZAS DE REPUESTO

Pieza	Descripción	No. de pieza	Pieza	Descripción	No. de pieza
1	Rejilla trasera	EG5000001AC	9	Calentador	EG5000009AC
2	Placa de suspensión	EG5000002AC	10	Interruptor	EG5000010AC
3	Aspa del ventilador	EG5000003AC	11	Interruptor de selección	EG5000011AC
4	Placa de conducción de aire	EG5000004AC	12	Termostato	EG5000012AC
5	Manija grande	EG5000005AC	13	Perilla	EG5000013AC
6	Manija pequeña	EG5000006AC	14	Bloque terminal	EG5000014AC
7	Resorte	EG5000007AC	15	Cierre térmico	EG5000017AC
8	Motor	EG5000008AC	16	Indicador de precaución	EG5000018AC
			17	Indicador de encendido	EG5000019AC



## SOLUCIÓN DE PROBLEMAS

PROBLEMA	RAÍZ DEL PROBLEMA	MEDIDA CORRECTIVA
La unidad no está calentando	La protección de sobrecalentamiento se ha activado.	Inspeccione el calefactor de garaje y revise que las entradas y salidas de aire no estén bloqueadas ya que esto puede causar sobrecalentamiento. Apague el interruptor principal del circuito del calefactor de garaje durante 30 minutos y deje que se enfríe. Enciéndalo nuevamente y póngalo en funcionamiento.
	El interruptor automático se ha disparado.	Reestablezca el interruptor principal en el panel de fusibles y reinicie el calefactor
	La temperatura de la habitación ya ha alcanzado la temperatura configurada en el termostato	Ajuste la configuración de la temperatura para asegurarse de que la configuración de la temperatura del termostato es mayor que la temperatura actual de la habitación.
El calefactor de garaje emite un olor a quemado	Durante la fabricación se acumuló polvo y/o escombros en los serpentines de calentamiento.	Asegúrese de que la habitación esté bien ventilada. Ponga el calefactor de garaje en funcionamiento hasta que el olor se haya disipado.
	Revise y asegúrese de que no haya material combustible dentro de un rango de 0.9 metros (3 pies) alrededor del calefactor de garaje.	Retire el material combustible alrededor del calefactor de garaje.
	Este calefactor debe estar instalado al menos a 8 pies del suelo. Para distancias libres específicas revise la sección "UBICACIÓN DEL CALEFACTOR" en el manual de instrucciones	Reubique el calefactor de garaje de manera que haya suficiente espacio entre el calefactor y las paredes y suelo adyacentes.



# GARANTÍA

## GARANTÍA LIMITADA:

Esta garantía limitada se extiende al comprador minorista original de este calefactor de aire forzado/convección/radiante, que está garantizado contra defectos de materiales y mano de obra por un período de un (1) año a partir de la fecha de la venta minorista (garantía de por vida solo para el quemador con boquilla de bronce). GHP Group, Inc., a su discreción, proporcionará las piezas de repuesto o reparará la unidad, cuando esta sea devuelta a la tienda minorista donde se compró o a uno de nuestros centros de servicio, según lo indique GHP Group, Inc., dentro de un período de un (1) año a partir de la compra minorista. (Los costos de envío, los costos de mano de obra, etc. son responsabilidad del comprador).

## OBLIGACIONES DEL PROPIETARIO:

Este artefacto de calefacción se debe utilizar de acuerdo con las instrucciones escritas incluidas con el calefactor. Esta garantía no eximirá al propietario del mantenimiento adecuado del calefactor de acuerdo con las instrucciones escritas incluidas con el calefactor. Se debe conservar la factura de compra, el cheque cobrado o el registro de pago para verificar la fecha de compra y establecer el período de la garantía. Se debe conservar la caja original en caso de que se desee devolver la unidad en garantía.

## QUÉ NO CUBRE:

1. Daños ocasionados por el uso del combustible incorrecto.
2. Daños ocasionados por el uso indebido o contrario al manual del propietario y a las pautas de seguridad.
3. Daños ocasionados por la falta de mantenimiento normal.
4. Fusibles
5. Uso de piezas o accesorios no estándar.
6. Daños ocasionados en el traslado. Los cargos de flete para las piezas o los calefactores en garantía trasladados hacia o desde la fábrica serán responsabilidad del propietario.

Esta garantía no implica ni asume ninguna responsabilidad de daños indirectos que se podrían ocasionar por el uso, el uso indebido o la falta de mantenimiento habitual de este artefacto de calefacción. Se podría cobrar una tarifa por limpieza y el costo de las piezas en caso de que las fallas del artefacto se ocasionaran por falta de mantenimiento. Esta garantía no cubre reclamos que no estén relacionados con la mano de obra o materiales defectuosos. **SI NO SE REALIZA MANTENIMIENTO GENERAL (INCLUIDA LA LIMPIEZA), LA GARANTÍA QUEDARÁ ANULADA.**

ESTA GARANTÍA LIMITADA SE OTORGA AL COMPRADOR EN REEMPLAZO DE TODAS LAS OTRAS GARANTÍAS, EXPRESAS O IMPLÍCITAS, INCLUIDAS, ENTRE OTRAS, LAS GARANTÍAS DE COMERCIABILIDAD E IDONEIDAD PARA UN FIN DETERMINADO. EL RECURSO PROPORCIONADO EN ESTA GARANTÍA ES EXCLUSIVO Y SE OTORGA EN REEMPLAZO DE TODOS LOS OTROS RECURSOS. EN NINGÚN CASO, GHP GROUP, INC. SERÁ RESPONSABLE DE NINGÚN DAÑO INCIDENTAL O INDIRECTO.

Algunos estados no permiten limitaciones por el tiempo que dura una garantía implícita. Por lo tanto, es posible que la limitación mencionada no se aplique en su caso. Algunos estados no permiten la exclusión o limitación de daños incidentales o indirectos. Por lo tanto, es posible que la limitación o exclusión mencionada no se aplique en su caso.

## LOS RECLAMOS SE APLICAN DE LA SIGUIENTE MANERA:

1. Comuníquese con la tienda y explique el problema.
2. Si en la tienda no pueden resolver el problema, comuníquese con nuestro Departamento de servicio al cliente detallando el modelo del calefactor, el problema y el comprobante de la fecha de compra.
3. Un representante se podrá en contacto con usted. NO DEVUELVA EL CALEFACTOR A GHP GROUP, INC. a menos que se lo haya indicado el representante. Esta garantía otorga derechos legales específicos, y podría haber otros derechos aplicables según el estado.

PARA REGISTRAR LA GARANTÍA DE SU CALEFACTOR, COMPLETE ESTA TARJETA  
Y ENVÍELA POR CORREO DENTRO DE LOS 14 DÍAS A PARTIR DE LA FECHA DE COMPRA O REGÍSTRELA EN LÍNEA EN [www.ghpgroupinc.com](http://www.ghpgroupinc.com).

NOMBRE: \_\_\_\_\_ TELÉFONO: \_\_\_\_\_ CORREO ELECTRÓNICO: \_\_\_\_\_  
DIRECCIÓN: \_\_\_\_\_ CIUDAD: \_\_\_\_\_ ESTADO: \_\_\_\_\_ CÓDIGO POSTAL: \_\_\_\_\_  
MODELO: \_\_\_\_\_ N.º DE SERIE: \_\_\_\_\_ FECHA DE COMPRA: \_\_\_\_\_  
DISTRIBUIDOR DONDE REALIZÓ LA COMPRA: \_\_\_\_\_ TIPO DE TIENDA: \_\_\_\_\_  
CIUDAD Y ESTADO DONDE REALIZÓ LA COMPRA: \_\_\_\_\_ PRECIO ABONADO: \_\_\_\_\_

### Tómese un minuto para responder las siguientes preguntas.

Todas las respuestas se utilizan exclusivamente para investigación de mercado y se mantiene estrictamente la confidencialidad de la información.

¿Quién decidió principalmente esta compra?  Masculino  Femenino  18-24  25-39  40-59  60 o más

¿Objetivo de la compra? \_\_\_\_\_

¿Posee alguno de los otros calefactores portátiles?  Sí  No Si la respuesta es afirmativa, tipo \_\_\_\_\_ marca \_\_\_\_\_

¿Cómo pretende utilizar su calefactor nuevo?  Obra en construcción  Finca  Almacén/comercio  Garaje/edificación anexa  Otro

¿Cómo se enteró de este calefactor?  En la vidriera de una tienda  Anuncio publicitario en un periódico  Anuncio publicitario en una revista

Amigo/familiar  Comercial en televisión  Vendedor de una tienda  Otro \_\_\_\_\_

¿Por qué eligió este calefactor?  Estilo  Tamaño/Portabilidad  Precio  Embalaje  Marca  Otro \_\_\_\_\_

¿Usted:  es propietario?  alquila? ¿Recomendaría este calefactor a un amigo?  Sí  No

Déjenos sus comentarios: \_\_\_\_\_

GRACIAS POR COMPLETAR ESTE FORMULARIO.  
Se mantendrá la confidencialidad de la información.

## REGISTRO DE LA GARANTÍA

**IMPORTANTE:** Lo instamos a que complete la tarjeta de registro de la garantía dentro de los catorce (14) días de la fecha de compra. También puede registrar la garantía por Internet en [www.ghpgroupinc.com](http://www.ghpgroupinc.com). Complete el número de serie. Conserve esta parte de la tarjeta para su constancia.



**GHP Group, Inc.**  
6440 W Howard St  
Niles, IL 60714-3302

Tel: 1 (877) 447-4768  
[www.ghpgroupinc.com](http://www.ghpgroupinc.com)

**¡GUARDE ESTA TARJETA!**

Coloque aquí  
el sello postal

**GHP Group, Inc.**  
6440 W Howard St  
Niles, IL 60714-3302



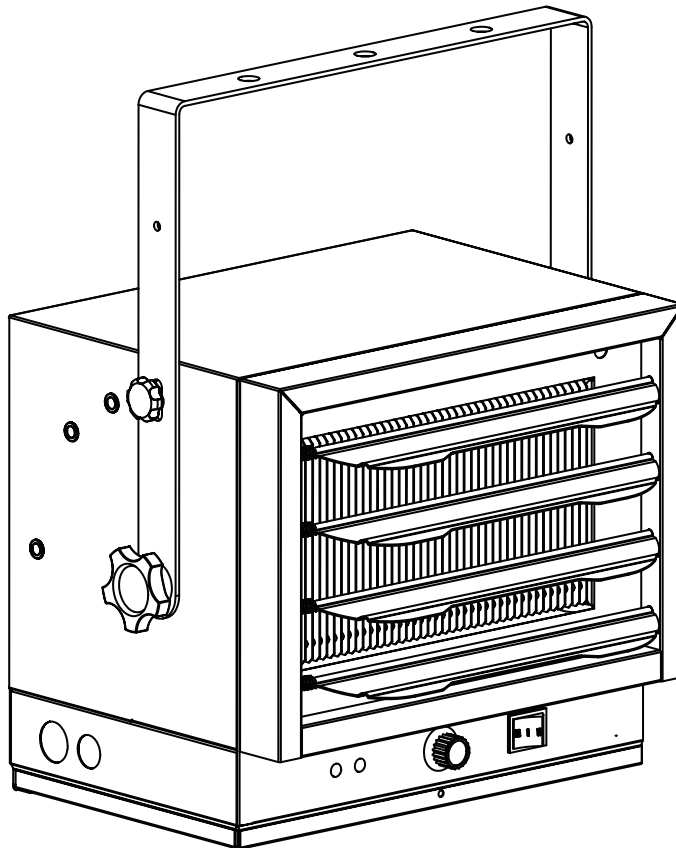
Dyna-Glo<sup>®</sup> PRO

EG5000DGP

## Radiateur-garage portatif

5,000W / 240V / 17,060 BTU

## INSTRUCTIONS D'INSTALLATION ET D'ENTRETIEN



  
C US  
CSA C22.2 No. 46-13  
UL 2021

Avant d'utiliser cet appareil de chauffage pour la première fois, veuillez lire très attentivement ce GUIDE D'UTILISATION. Ce GUIDE D'UTILISATION vise à vous fournir la méthode appropriée pour as-sembler, entretenir, entreposer et, plus importante encore, pour utiliser l'appareil de chauffage de façon sûre et efficace. Veuillez le conserver pour pouvoir vous y reporter ultérieurement.

**CONSUMMATEUR: Conservez ce guide pour pouvoir vous y reporter ultérieurement.** Questions, problèmes, pièces manquantes? Avant de revenir chez le détaillant, contactez le service à la clientèle par téléphone en composant le 1-877-447-4768 du lundi au vendredi de 8 h 00 à 16 h 30, heure normale du Centre, ou par courriel à [customerservice@ghpgroupinc.com](mailto:customerservice@ghpgroupinc.com).

# INSTRUCTIONS IMPORTANTES



**Important : Installation professionnelle requise. Seul un électricien certifié peut installer et entretenir ce produit.**



**CET APPAREIL DE CHAUFFAGE NÉCESSITE UNE INSTALLATION CÂBLÉE (PAS DE PRISE). L'INSTALLATION DE CE PRODUIT DOIT ÊTRE EFFECTUÉE PAR UN ÉLECTRICIEN CERTIFIÉ ET CONFORMÉMENT À TOUS LES CODES ÉLECTRIQUES LOCAUX ET NATIONAUX EN VIGUEUR.**

Lors de l'utilisation d'un appareil électrique, les mesures de sécurité de base devraient toujours être respectées afin de réduire les risques d'incendie, de décharge électrique et de blessure. Les mesures suivantes en font partie:

1. Lisez toutes les instructions avant d'installer ou d'utiliser le radiateur.
2. Le radiateur est chaud lorsqu'il est en fonction. Pour éviter les brûlures, ne laissez pas la peau nue entrer en contact avec les surfaces chaudes. Gardez les matières combustibles comme les cordons électriques, les meubles, les oreillers, les draps, le papier, les vêtements, les rideaux, etc., à au moins 0,9 m (3 pi) de l'avant du radiateur et à bonne distance des côtés et de l'arrière de celui-ci.
3. Faites preuve d'une extrême prudence lorsqu'un radiateur est utilisé à proximité d'enfants ou de personnes handicapées ou lorsqu'il est utilisé par ceux-ci, de même que lorsqu'il fonctionne sans surveillance.
4. Éteignez toujours le radiateur lorsqu'il n'est pas utilisé.
5. Ne faites pas fonctionner un radiateur après une défaillance. Débranchez l'alimentation du panneau de service et faites inspecter le radiateur par un électricien réputé avant de le réutiliser.
6. N'utilisez pas ce radiateur à l'extérieur.
7. Ce radiateur n'est pas conçu pour être utilisé dans une salle de bain, une salle de lavage et des emplacements similaires à l'intérieur. Ne laissez jamais le radiateur là où il pourrait tomber dans une baignoire ou dans un autre contenant d'eau.
8. N'insérez aucun corps étranger (et empêchez qu'il s'en introduise) dans les événements de ventilation ou d'évacuation afin d'éviter de causer des décharges électriques ou des incendies ou d'endommager le radiateur.
9. Pour prévenir un éventuel incendie, ne bloquez les entrées et sorties d'air du radiateur d'aucune manière. N'utilisez pas cet appareil sur des surfaces molles où les ouvertures pourraient être obstruées, par exemple sur un lit.
10. Le radiateur contient des pièces chaudes et des pièces produisant des arcs électriques ou des étincelles. N'utilisez pas cet appareil à des endroits où de l'essence, de la peinture ou des liquides inflammables sont utilisés ou entreposés.
11. Utilisez ce radiateur seulement de la façon décrite dans le présent guide. Toute autre utilisation non recommandée par le fabricant peut provoquer un incendie ou causer une décharge électrique ou des blessures.
12. Pour déconnecter le chauffage, éteignez les commandes et coupez le courant au circuit de chauffage du panneau de déconnexion principal.
13. Si le voyant d'alarme rouge à l'avant de l'appareil s'allume, éteignez immédiatement le radiateur et vérifiez qu'aucun objet se trouvant sur ou à proximité du radiateur n'a pu obstruer le flux d'air ou avoir provoqué des températures élevées. **NE FAITES PAS FONCTIONNER LE CHAUFFE-APPAREIL AVEC LA LUMIÈRE D'ALARME ÉCLAIRÉE.**

**AVERTISSEMENT AUX PROPRIÉTAIRES D'ANIMAUX DOMESTIQUES:** Certains petits animaux domestiques, dont les oiseaux, sont très sensibles aux vapeurs dégagées lors de la première utilisation de nombreux appareils. Ces vapeurs ne sont pas nocives pour les humains, mais nous recommandons de ne pas utiliser le radiateur à proximité d'oiseaux et de petits animaux domestiques lors de sa première utilisation, jusqu'à ce que le revêtement anticorrosion utilisé durant la fabrication ait complètement brûlé.

## CONSERVEZ CES INSTRUCTIONS



**AVERTISSEMENT**



Ce produit peut vous exposer à des agents chimiques, dont le phtalate de diisononyl (DINP), reconnu par l'État de Californie comme pouvant causer le cancer, ainsi que les phtalates diisodécyle (DIDP) reconnus par l'État de Californie comme pouvant causer des anomalies congénitales et autres dommages au système reproducteur. **Pour plus de renseignements, visitez le [www.p65Warnings.ca.gov](http://www.p65Warnings.ca.gov)**

## TABLE DES MATIÈRES

ARTICLE	PAGE #
CARACTÉRISTIQUES TECHNIQUES .....	35
INFORMATIONS GÉNÉRALES RELATIVES À LA SÉCURITÉ .....	35
EMPLACEMENT DU RADIATEUR .....	36
PRE-INSTALLATION .....	37
INSTALLATION .....	38
INSTRUCTIONS DE FONCTIONNEMENT .....	42
INSTRUCTIONS D'ENTRETIEN .....	44
PIÈCES DE REMPLACEMENT .....	44
DÉPANNAGE .....	45

## CARACTÉRISTIQUES TECHNIQUES

Évaluation	Réglage du commutateur	Volts	Phase	Hz	Amplis	BTU/heure
5000W	III	240	1	60	20.9	17065
3700W	III	208	1	60	17.8	12624
4000W	II	240	1	60	16.7	13648
3000W	II	208	1	60	14.4	10236
3000W	I	240	1	60	12.5	10236
2260W	I	208	1	60	10.9	7711

## INFORMATION DE SÉCURITÉ



### AVERTISSEMENT



CE RADIATEUR NE COMPREND PAS DE FICHE ÉLECTRIQUE : SON INSTALLATION NÉCESSITE UN RACCORDEMENT FIXE. L'INSTALLATION DE CE PRODUIT DOIT ÊTRE EFFECTUÉE PAR UN ÉLECTRICIEN CERTIFIÉ CONFORMÉMENT À TOUS LES CODES RÉGISSANT L'ÉLECTRICITÉ À L'ÉCHELLE LOCALE ET NATIONALE.

**REMARQUE : PREND EN CHARGE UN THERMOSTAT MURAL DE LIGNE BIPOLAIRE À TENSION DE 240 V. L'INSTALLATION DOIT ÊTRE EFFECTUÉE PAR UN ÉLECTRICIEN CERTIFIÉ.** VEUILLEZ LIRE ET COMPRENDRE TOUTES LES INSTRUCTIONS RELATIVES À L'INSTALLATION ET AU FONCTIONNEMENT DE L'APPAREIL ET RESPECTER TOUTES LES CONSIGNES DE SÉCURITÉ.

1. N'utilisez que des fils de cuivre résistant à des températures d'au moins 60°C.
2. La sortie d'air du radiateur doit être orientée parallèlement au mur adjacent ou à l'opposé de celui-ci.
3. Respectez le dégagement requis par rapport aux murs, au plancher et au plafond.
4. Tout le câblage doit se conformer aux codes régissant l'électricité à l'échelle locale et nationale aux États-Unis, et le radiateur doit être mis à la terre pour prévenir les risques de décharges électriques. Le circuit du radiateur doit être protégé par les fusibles appropriés.
5. La structure et la quincaillerie de fixation doivent être en mesure de supporter de manière fiable le poids du radiateur et, le cas échéant, celui du support de fixation.

## INFORMATION DE SÉCURITÉ

6. Toute l'alimentation électrique doit être coupée et le panneau électrique principal doit être verrouillé avant d'exécuter une inspection, un nettoyage ou un entretien du radiateur. Cette précaution permet d'éviter des décharges électriques graves.
7. Ce radiateur n'est pas adapté aux endroits dangereux tels que définis par la National Fire Protection Association (NFPA) aux États-Unis. Le radiateur contient des pièces chaudes et des pièces produisant des arcs électriques ou des étincelles. N'utilisez pas cet appareil à des endroits où de l'essence, de la peinture ou des liquides inflammables sont utilisés ou entreposés.
8. Ce radiateur n'est pas adapté aux environnements agressifs comme les serres à l'eau de mer et les entrepôts de produits chimiques.
9. Le radiateur doit être installé à au moins 8 pieds du sol. Pour des dégagements spécifiques, voir la figure 2.



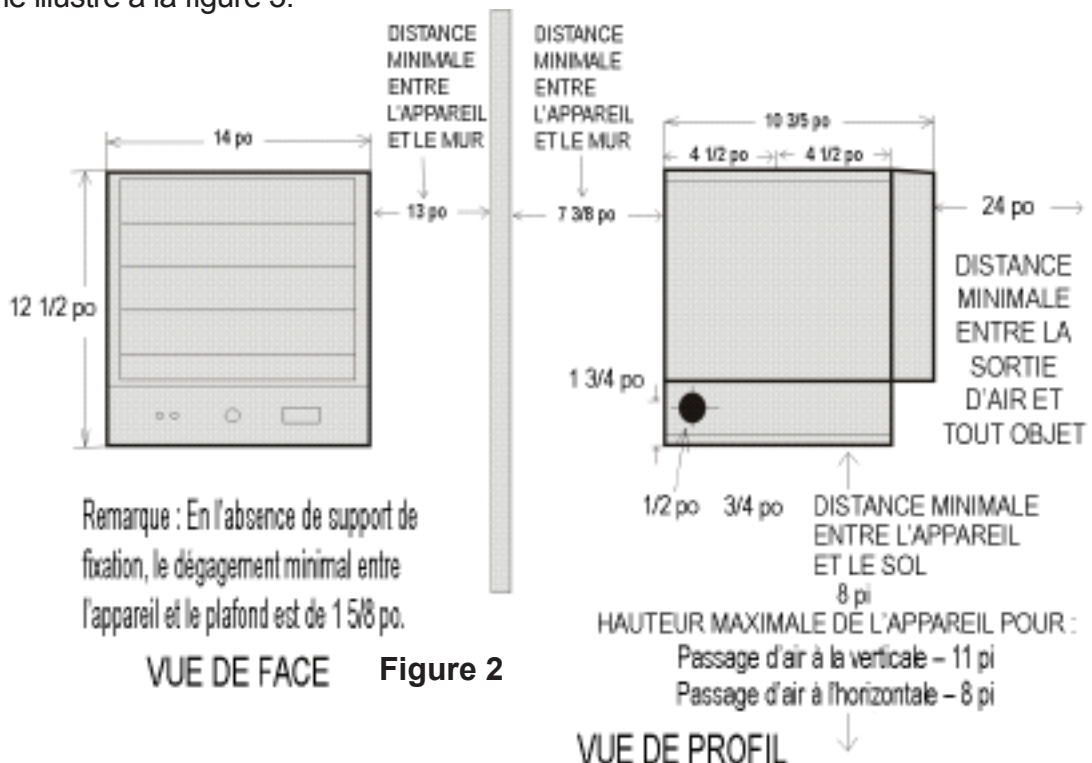
### AVERTISSEMENT



UNE INSTALLATION INCORRECTE OU LE NON-RESPECT DES PROCÉDURES DÉCRITES DANS LE PRÉSENT GUIDE D'INSTRUCTION PEUT CAUSER DES DÉCHARGES ÉLECTRIQUES GRAVES.

## EMPLACEMENT DU RADIATEUR

Installez le radiateur à l'écart des zones de circulation et maintenez le dégagement minimal décrit à la figure 2. Le passage d'air ne doit pas être obstrué par des colonnes ou des machines, et l'air doit longer les murs plutôt qu'être poussé directement sur ces derniers. Lorsque plusieurs radiateurs sont utilisés, ils doivent être disposés de façon à créer un passage d'air continu avec les autres radiateurs afin de mieux faire circuler l'air chaud, comme illustré à la figure 3.



## EMPLACEMENT DU RADIATEUR

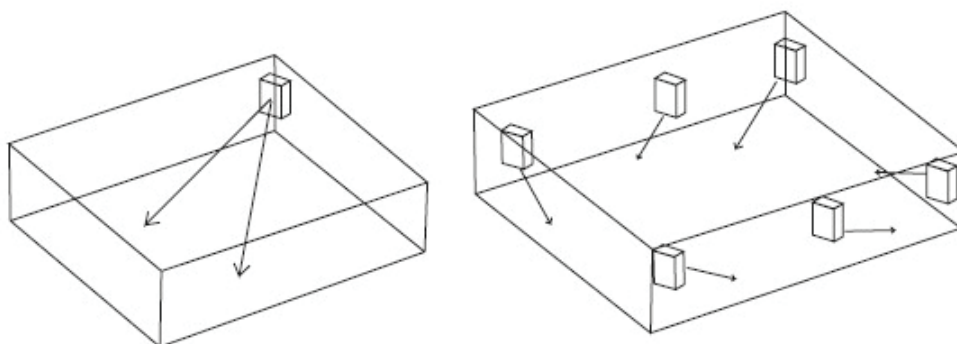
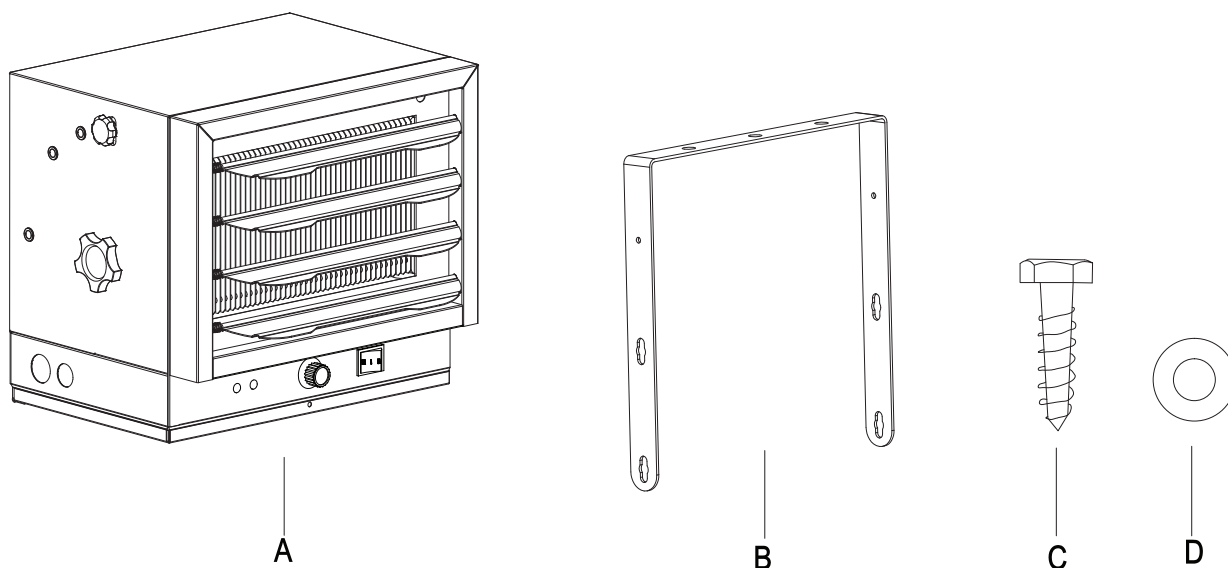


Figure 3

## PRE-INSTALLATION



Pièce	Description	Quantité
A	Chauffe-garage	1
B	Support de montage	1
C	Vis	3
D	Rondelle	6

# INSTALLATION

## INSTALLATION DU SUPPORT

Consultez les figures 4a et 4b.

1. Repérez une poutre en bois dans la solive de plafond/mural côté. Pour plafond seulement, si vous ne trouvez aucune poutre en bois, vous devez installer un morceau de bois au plafond afin de fixer solidement le radiateur.
2. Pour retirer le support de fixation du radiateur, desserrez les vis à l'aide d'une clé et glissez la poignée sur les têtes de vis.
3. Glissez une rondelle sur les vis avant de les insérer dans les trous du support de fixation, puis vissez-les solidement dans la solive de plafond ou mural goujon.

**REMARQUE:** Si vous prévoyez pivoter le radiateur vers la gauche ou la droite, il est recommandé d'ajouter des rondelles de chaque côté du support. Un tire-fond plus long peut être nécessaire pour fixer correctement le radiateur. Voir la figure 4a.

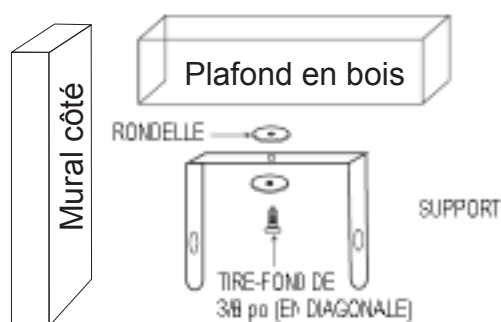


Figure 4a. Installation avec une vis

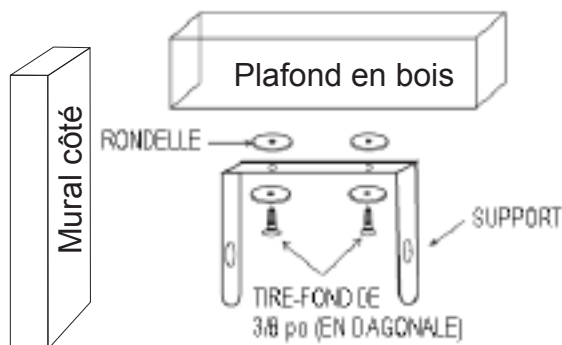


Figure 4b. Installation avec deux vis

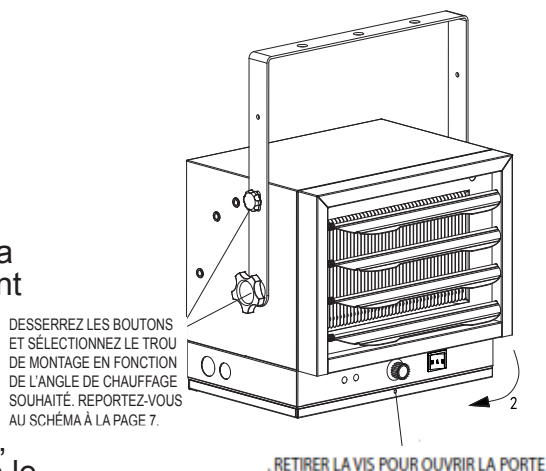
## INSTALLATION DU RADIATEUR

1. Fixez le radiateur au support de fixation.
2. Soulevez le radiateur pour l'aligner dans le support de fixation.
3. Alignez les vis du support avec les encoches en trou de serrure du support de fixation.
4. Serrez les vis du support avec une clé pour que l'appareil soit solidement suspendu à l'horizontale ou à la verticale.
5. L'appareil de chauffage peut être monté à différents angles énumérés dans le schéma à la page 7 tant que vous maintenez un dégagement approprié tel qu'indiqué à la page 4.

## AJUSTEMENT DE LA DIRECTION DE L'AIR

1. Si le radiateur a été fixé avec un seul tire-fond, comme illustré à la figure 4a, il est possible de le tourner horizontalement au besoin. Par contre, s'il a été installé avec deux tire-fonds, il ne peut être tourné de cette manière.
2. Pour pivoter le radiateur verticalement, dévissez les vis du support (voir la figure 5).

Figure 5

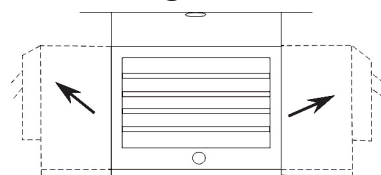


## INSTALLATION

3. Réglez la position des persiennes selon vos besoins (voir la figure 6).

**REMARQUE :** Les persiennes sont conçues pour ne pas pouvoir se fermer complètement. N'essayez pas de forcer leur fermeture : vous pourriez endommager le radiateur.

Figure 6

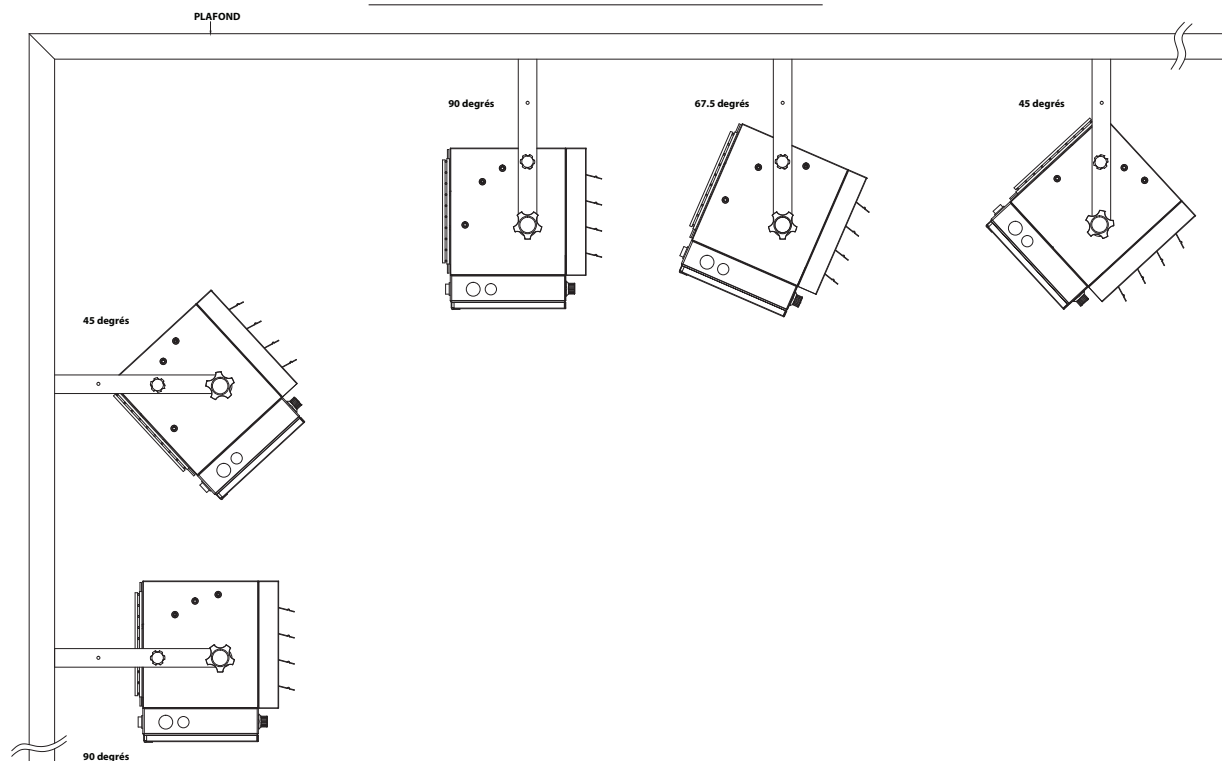


### AVERTISSEMENT



POUR PRÉVENIR LES RISQUES DE DÉCHARGE ÉLECTRIQUE, ÉTEIGNEZ LE RADIATEUR ET COUPEZ L'ALIMENTATION AU PANNEAU ÉLECTRIQUE AVANT D'ENTREPRENDRE UN RÉGLAGE DE LA SORTIE DE CHALEUR.

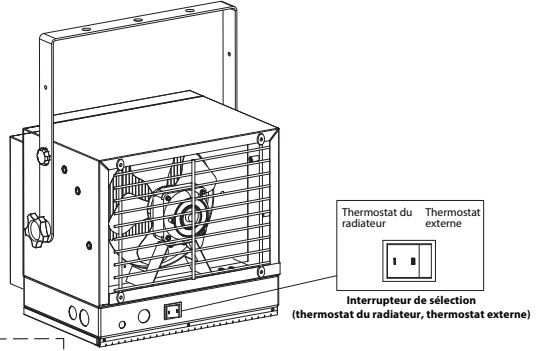
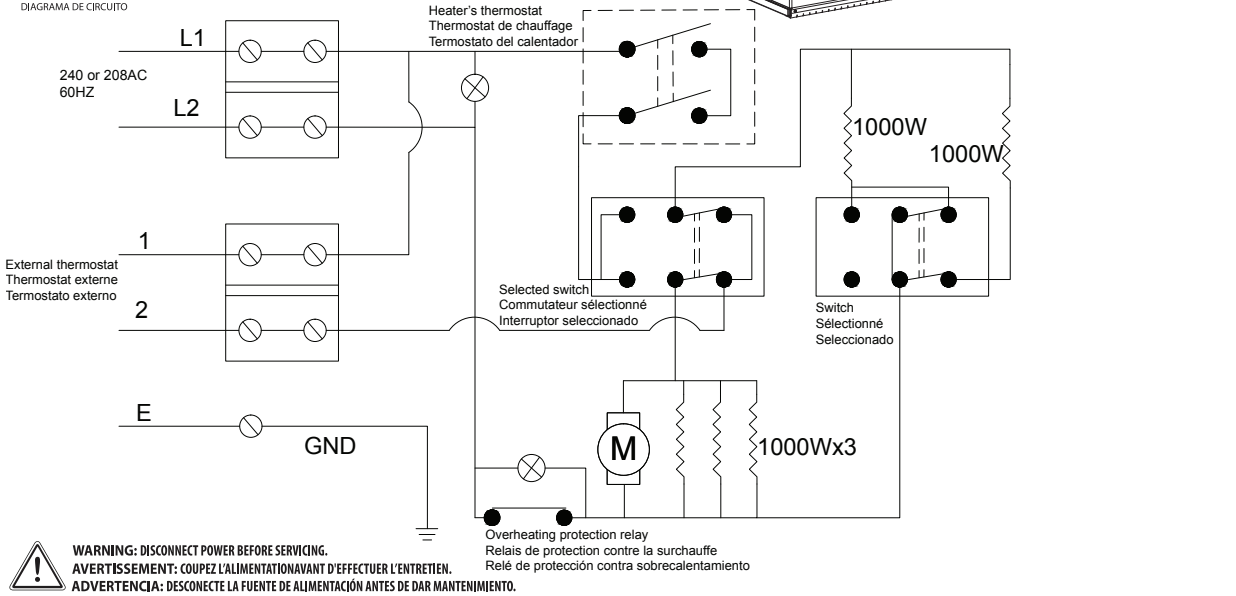
### DIVERS ANGLES VERTICAUX



# INSTALLATION

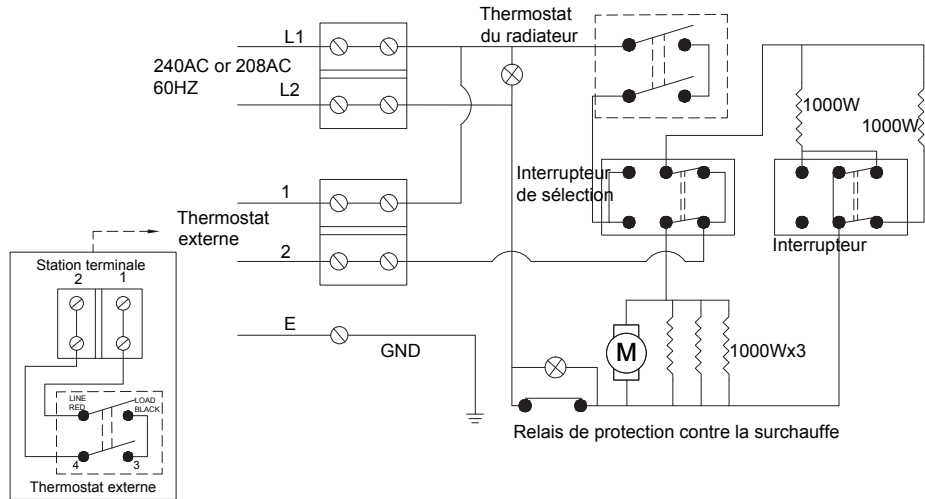
## BRANCHEMENT DE L'ALIMENTATION

CIRCUIT DIAGRAM  
SCHEMA DE CÂBLAGE  
DIAGRAMA DE CIRCUITO



**Si vous désirez utiliser un thermostat externe pour commander le fonctionnement du radiateur, veuillez porter attention aux points suivants :**

1. Assurez-vous que le bouton du thermostat du radiateur est tourné au maximum en sens horaire.
2. Connectez le fil conformément au schéma de câblage ci-dessous.





# INSTALLATION

## BRANCHEMENT DE L'ALIMENTATION

3. Le régulateur de température externe (thermostat externe) : un thermostat certifié doit être utilisé.
4. Les fils de connexion du thermostat externe doivent avoir un calibre d'au moins 14 AWG.

## PROTECTION DE L'ÉLÉMENT CHAUFFANT

Lors du démarrage de l'appareil de chauffage, en tournant lentement la commande de température dans le sens horaire vers le réglage thermique souhaité, le ventilateur démarre d'abord et ensuite l'élément chauffant.

Pour éteindre le radiateur, tournez lentement le bouton de réglage de température en sens antihoraire : l'élément chauffant s'éteindra d'abord, suivi du ventilateur.



## AVERTISSEMENT



CET APPAREIL DOIT ÊTRE MIS À LA TERRE.

**L'APPAREIL DOIT ÊTRE BRANCHÉ À UN CIRCUIT OU À UN APPAREIL DE PROTECTION DU COURANT AVANT D'ÊTRE BRANCHÉ À L'ALIMENTATION!**

1. Retirez la vis de l'avant du radiateur pour connecter l'alimentation.
2. Installez les connecteurs de câbles sur l'appareil (voir la figure 7). Sélectionnez le fil d'alimentation électrique pour se conformer aux codes électriques locaux et nationaux en utilisant la cote de chauffage donnée sur l'étiquette de cote.

**REMARQUE** : Tout le câblage doit être effectué par un électricien certifié et se conformer aux codes régissant l'électricité à l'échelle locale et nationale. Certains usages peuvent nécessiter des conduits de câbles. Voir la figure 6. Consultez les codes locaux régissant l'électricité. Si vous faites passer le câblage dans un conduit de câbles et que vous désirez pouvoir tourner le radiateur, assurez-vous de disposer d'un conduit flexible suffisamment long.

3. Connectez les fils au bloc d'alimentation à la base du radiateur (voir la figure 7).
4. Allumez l'alimentation au panneau électrique principal.



## AVERTISSEMENT

HAUTE TEMPÉRATURE – RISQUE D'INCENDIE. GARDEZ LES MATIÈRES INFLAMMABLES COMME LES MEUBLES, LES OREILLERS, LES DRAPS, LE PAPIER, LES VÊTEMENTS, CORDONS ÉLECTRIQUE ET LES RIDEAUX À AU MOINS 0,9 M (3 PI) DE L'AVANT ET DU DESSUS DU RADIATEUR ET À BONNE DISTANCE DES CÔTÉS ET DE L'ARRIÈRE DE CELUI-CI.

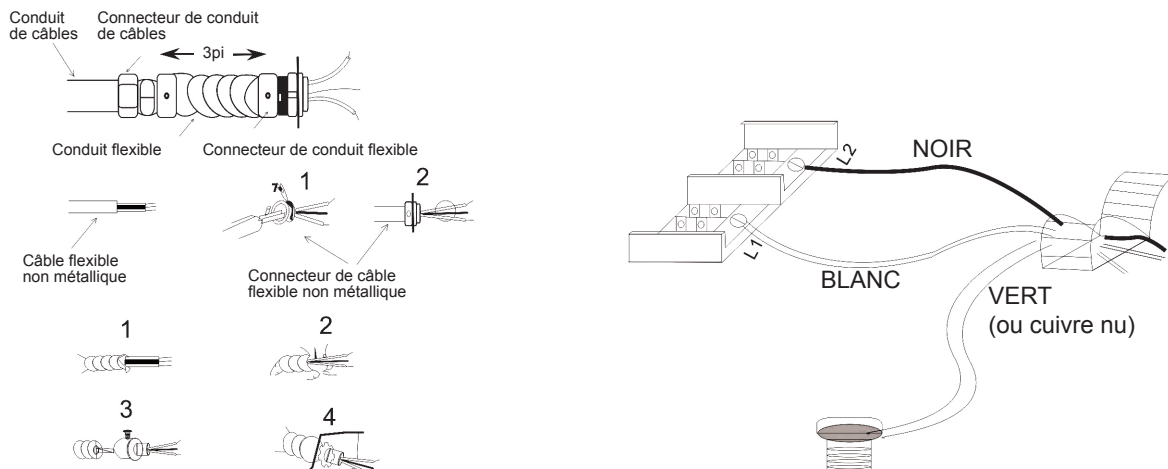


## AVERTISSEMENT

POUR RÉDUIRE LES RISQUES D'INCENDIE, NE STOCKEZ PAS ET N'UTILISEZ PAS D'ESSENCE OU D'AUTRES VAPEURS ET LIQUIDES INFLAMMABLES À PROXIMITÉ DE L'APPAREIL DE CHAUFFAGE.

# INSTALLATION

## BRANCHEMENT DE L'ALIMENTATION



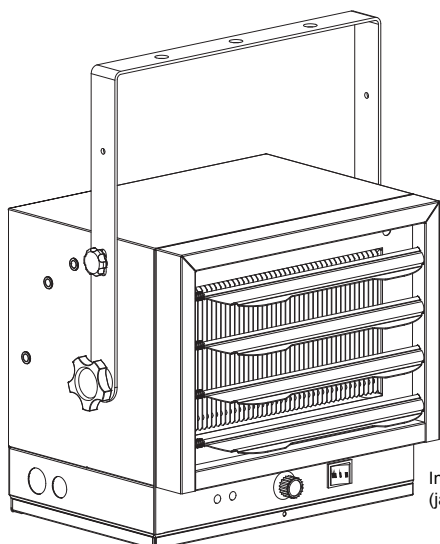
Connecteurs, câbles et quincaillerie utilisés pour brancher le radiateur

Figure 7

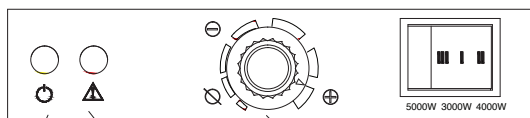
# INSTRUCTIONS DE FONCTIONNEMENT



LE RADIATEUR DOIT ÊTRE CORRECTEMENT INSTALLÉ AVANT D'ÊTRE MIS EN FONCTION.



## Panneau de commande



Indicateur d'alimentation (jaune)

Indicateur d'avertissement (rouge)

Thermostat

Interrupteur (3000W / 4000W / 5000W)

## INSTRUCTIONS DE FONCTIONNEMENT

Vérifiez que la grille de sortie du radiateur de garage n'est pas couverte ni obstruée, et assurez-vous que l'alimentation vers l'appareil est allumée.

### RÉGLAGE DU THERMOSTAT

1. Tournez le bouton du thermostat en sens horaire : le VOYANT DE FONCTIONNEMENT jaune s'allume.
2. Lorsque la pièce atteint la température voulue, tournez le bouton du thermostat en sens antihoraire jusqu'en position fermée. Le radiateur s'allumera et s'éteindra de façon cyclique pour maintenir la température de la pièce.

### SÉLECTEUR

Vous pouvez modifier la température à l'aide du SÉLECTEUR. Puissance de sortie : I pour 3000W, II pour 4000W, III pour 5000W.

### COUPE-CIRCUIT THERMIQUE

Le radiateur s'éteint de lui-même lorsqu'il surchauffe. Il se rallume lorsque sa température est de nouveau normale. Si le radiateur surchauffe et enclenche un cycle de coupe-circuit thermique, la cause du problème doit être déterminée et une action corrective doit être entreprise avant de continuer à faire fonctionner le radiateur.



### MISE EN GARDE



LORSQUE LE COUPE-CIRCUIT THERMIQUE EST ACTIVÉ, LE VOYANT D'AVERTISSEMENT ROUGE S'ALLUME. SI LE VOYANT S'ALLUME, ÉTEIGNEZ IMMÉDIATEMENT LE RADIATEUR ET CHERCHEZ LES OBJETS SUR LE RADIATEUR OU ADJACENTS À CELUI-CI QUI POURRAIENT AVOIR CAUSÉ CETTE HAUSSE DE TEMPÉRATURE. NE PAS ALTÉRER LES CONTRÔLES. **NE FAITES PAS FONCTIONNER LE RADIATEUR LORSQUE LE VOYANT ROUGE EST ALLUMÉ.**

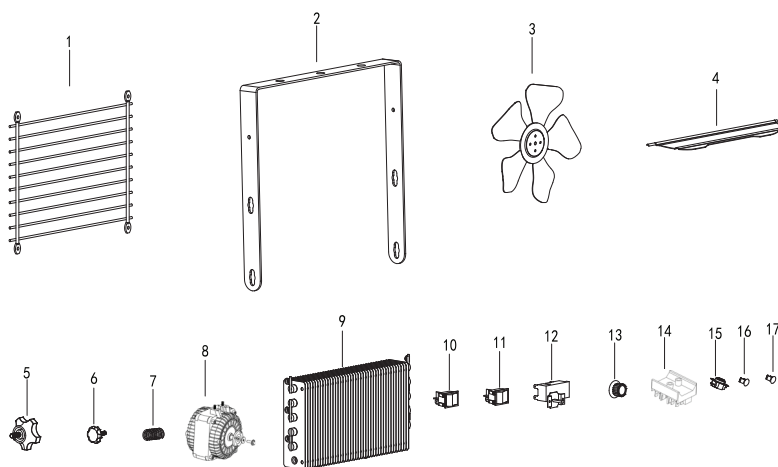
## ENTRETIEN ET NETTOYAGE

1. Avant de nettoyer le radiateur, veillez à couper l'alimentation sur le panneau à disjoncteurs et à laisser refroidir les éléments chauffants.
2. Pour maintenir l'apparence externe du radiateur, il suffit de l'épousseter à sec à l'occasion. Vous pouvez profiter de la période estivale ou de tout autre moment où le radiateur n'est pas utilisé et est complètement refroidi pour passer un linge humide sur l'appareil.
3. N'utilisez pas de nettoyants en poudre abrasifs ni de nettoyants pour meubles. N'utilisez pas de produits chimiques ou abrasifs, de tampon à récurer en métal, ni de quoi que ce soit qui pourrait abîmer la surface de l'appareil.
4. Durant l'été ou à tout autre moment où le radiateur n'est pas utilisé, débranchez l'appareil. Rangez l'appareil dans un endroit frais et sec.
5. Toutes les autres tâches d'entretien doivent être effectuées par un technicien qualifié. N'essayez pas de réparer vous-même le radiateur.

**REMARQUE :** Le moteur est lubrifié en permanence et aucune lubrification supplémentaire n'est nécessaire.

## PIÈCES DE REMPLACEMENT

Pièce	Description	No. de pièce	Pièce	Description	No. de pièce
1	Grille arrière	EG5000001AC	9	Radiateur	EG5000009AC
2	Plaque de suspension	EG5000002AC	10	Interrupteur	EG5000010AC
3	Pale de ventilateur	EG5000003AC	11	Interrupteur de sélection	EG5000011AC
4	Plaque de guidage d'air	EG5000004AC	12	Thermostat	EG5000012AC
5	Grande poignée	EG5000005AC	13	Bouton	EG5000013AC
6	Petite poignée	EG5000006AC	14	Bloc terminal	EG5000014AC
7	Ressort	EG5000007AC	15	Arrêt de température	EG5000017AC
8	Moteur	EG5000008AC	16	Indicateur d'avertissement	EG5000018AC
			17	Indicateur d'alimentation	EG5000019AC



## DÉPANNAGE

PROBLÈME	CAUSE	MESURES CORRECTIVES
L'appareil ne chauffe pas	La protection anti-surchauffe est activée.	Inspectez le radiateur de garage et vérifiez que les entrées et sorties d'air ne sont pas bouchées, car cela pourrait causer une surchauffe. Éteignez le disjoncteur du radiateur pendant 30 minutes et laissez l'appareil refroidir. Rallumez l'appareil.
	Le disjoncteur s'est déclenché.	Réarmez le disjoncteur au panneau de fusibles et redémarrez le radiateur.
	La température ambiante a déjà atteint la température réglée sur le thermostat.	Réglez la température pour que la température du thermostat soit supérieure à la température ambiante actuelle.
Le radiateur de garage émet une odeur de brûlé	Lors de la fabrication du produit, de la poussière et/ou de l'huile se sont accumulées sur les bobines de chauffage.	Assurez-vous que la pièce est bien ventilée. Mettez le radiateur de garage en marche jusqu'à ce que l'odeur soit dissipée.
	Vérifiez qu'il n'y a pas de matériau combustible à moins de 0,9 mètres (3 pieds) du radiateur de garage.	Enlevez le matériau combustible autour du radiateur de garage.
	Ce radiateur doit être monté à une hauteur minimum de 8 pieds du sol. Pour voir des dégagements spécifiques, veuillez consulter la section « EMBLACEMENT DU RADIATEUR » dans le mode d'emploi.	Déplacez le radiateur de garage de sorte qu'il y ait assez de place entre le radiateur et le mur et le plancher adjacents.



# GARANTIE

## GARANTIE LIMITÉE :

Cette garantie limitée n'est offerte qu'à l'acheteur initial de cet appareil à air pulsé/appareil à convection/radiateur et assure qu'il sera exempt de défauts de matériaux et de fabrication pour une période d'un (1) an à partir de la date d'achat (seule la buse en cuivre du brûleur bénéficie d'une garantie à vie). À sa discrétion, GHP Group, Inc. pourra fournir des pièces de rechange ou remplacer ou réparer l'unité lorsque celle-ci est bien retournée chez le détaillant où elle a été achetée ou dans l'un de nos centres de service, tel qu'exigé par GHP Group, Inc. dans un délai d'un (1) an suivant la date d'achat. (Les frais d'expédition, de main-d'œuvre et autres sont la responsabilité de l'acheteur.)

## RESPONSABILITÉS DU PROPRIÉTAIRE :

Cet appareil de chauffage doit être utilisé conformément aux instructions écrites qui l'accompagnent. Cette garantie ne permet pas au propriétaire de négliger l'entretien requis du radiateur conformément aux instructions écrites qui l'accompagnent. Une facture de vente, un chèque payé ou un historique de paiement sont nécessaires à la vérification de la date d'achat et de la période de couverture. La boîte d'origine doit être conservée en cas de retour du produit sous garantie.

## LA GARANTIE NE COUVRE PAS :

1. Les dommages causés par l'utilisation d'un mauvais combustible.
2. Les dommages causés par une mauvaise utilisation ou par une utilisation contraire au guide d'utilisation et aux consignes de sécurité.
3. Les dommages causés par un manque d'entretien régulier.
4. Les fusibles.
5. L'utilisation de pièces ou d'accessoires non standards.
6. Les dommages causés lors d'un déplacement. Il est de la responsabilité du propriétaire d'acquitter les frais de transport des pièces ou des radiateurs sous garantie en direction ou en provenance de l'usine.

La présente garantie n'implique aucune responsabilité pour les dommages indirects résultant de l'utilisation conforme, d'une mauvaise utilisation ou du manque d'entretien régulier de cet appareil de chauffage. En cas de bris qui résulteraient d'un manque d'entretien, des frais de nettoyage et de remplacement de pièces pourraient être facturés. La présente garantie s'applique uniquement aux réclamations concernant des défauts de fabrication ou de matériaux. **NE PAS EFFECTUER L'ENTRETIEN GÉNÉRAL RÉGULIER (Y COMPRIS LE NETTOYAGE) ENTRAÎNERA L'ANNULATION DE CETTE GARANTIE.**

CETTE GARANTIE LIMITÉE DONNÉE À L'ACHETEUR REMPLACE TOUTE GARANTIE, EXPRESSE OU IMPLICITE, Y COMPRIS, MAIS SANS S'Y LIMITER, LES GARANTIES DE QUALITÉ MARCHANDE ET D'ADÉQUATION DANS UN BUT PARTICULIER. LE RECOURS OFFERT PAR CETTE GARANTIE EST EXCLUSIF ET REMPLACE TOUS LES AUTRES RECOURS. GHP GROUP, INC. NE SERA EN AUCUN CAS TENU RESPONSABLE DE TOUT DOMMAGE CONSÉCUTIF OU INDIRECT.

Les lois en vigueur dans certains États, provinces ou territoires n'autorisent pas la limitation de la durée d'une garantie implicite et, par conséquent, les limitations énoncées ci-dessus pourraient ne pas s'appliquer à vous. Les lois en vigueur dans certains États, provinces ou territoires n'autorisent pas l'exclusion ou la limitation des dommages consécutifs ou indirects et, par conséquent, la clause de limitation ou d'exclusion énoncée ci-dessus pourrait ne pas s'appliquer à vous.

## LES DEMANDES SERONT TRAITÉES COMME SUIT :

1. Communiquez avec votre détaillant afin de lui expliquer votre problème.
2. Si le détaillant n'est pas en mesure de régler votre problème, communiquez avec notre service à la clientèle avec votre preuve d'achat en main, puis mentionnez le modèle de votre radiateur et décrivez votre problème.
3. Un représentant communiquera ensuite avec vous. **NE RENVOYEZ PAS LE RADIATEUR À GHP GROUP, INC.** à moins que l'un de nos représentants ne vous le demande. La présente garantie vous accorde des droits spécifiques reconnus par la loi et vous bénéficiez peut-être d'autres droits, qui peuvent varier selon l'État, la province ou le territoire.

POUR ENREGISTRER LA GARANTIE DE VOTRE RADIATEUR, REMPLISSEZ ET POSTEZ CETTE CARTE  
DANS LES 14 JOURS SUIVANT LA DATE D'ACHAT, OU ENREGISTREZ-LA EN LIGNE AU [www.ghpgroupinc.com](http://www.ghpgroupinc.com).

NOM : \_\_\_\_\_ N° DE TÉLÉPHONE : \_\_\_\_\_ ADRESSE ÉLECTRONIQUE : \_\_\_\_\_  
ADRESSE : \_\_\_\_\_ VILLE : \_\_\_\_\_ ÉTAT : \_\_\_\_\_ CODE POSTAL : \_\_\_\_\_  
MODÈLE : \_\_\_\_\_ N° DE SÉRIE : \_\_\_\_\_ DATE D'ACHAT : \_\_\_\_\_  
DISTRIBUTEUR CHEZ QUI L'ACHAT A ÉTÉ EFFECTUÉ : \_\_\_\_\_ TYPE DE MAGASIN : \_\_\_\_\_  
VILLE ET ÉTAT OÙ L'ACHAT A ÉTÉ EFFECTUÉ : \_\_\_\_\_ VALEUR À L'ACHAT : \_\_\_\_\_

**Merci de prendre une minute afin de répondre aux questions qui suivent.**

**Vos réponses seront utilisées uniquement à des fins d'étude du marché et resteront confidentielles.**

Qui a été le principal instigateur de cet achat?  Homme  Femme  18-24  25-39  40-59  60 et plus  
Quelle était la raison de l'achat? \_\_\_\_\_  
Possédez-vous d'autres radiateurs portatifs?  Oui  Non Si oui, de quel type? \_\_\_\_\_ De quelle marque? \_\_\_\_\_  
Quel usage prévoyez-vous faire de votre nouveau radiateur?  Chantier de construction  Ferme  Entrepôt/commercial  Garage/annexe  Autre  
Comment avez-vous découvert ce radiateur?  Étalage en magasin  Annonce dans les journaux  Annonce dans les magazines  
 Ami/proche  Annonce à la télévision  Commis en magasin  Autre \_\_\_\_\_  
Pourquoi avez-vous choisi ce radiateur?  Style  Taille/portabilité  Prix  Emballage  Marque  Autre \_\_\_\_\_  
Êtes-vous :  Propriétaire  Locataire Recommanderiez-vous ce radiateur à un ami?  Oui  Non  
Veuillez partager vos commentaires avec nous : \_\_\_\_\_

MERCI D'AVOIR REMPLI CE FORMULAIRE!  
Vos renseignements resteront confidentiels.

## ENREGISTREMENT DE LA GARANTIE

**IMPORTANT** : Nous vous invitons à remplir votre carte d'enregistrement de garantie dans les quatorze (14) jours suivant la date de votre achat. Vous pouvez également enregistrer votre garantie par Internet au [www.ghpgroupinc.com](http://www.ghpgroupinc.com). Veuillez entrer le numéro de série complet. Veuillez conserver cette partie de la carte pour vos dossiers personnels.



**GHP Group, Inc.**  
6440 W Howard St  
Niles, IL 60714-3302

Tél. : 1 877 4474768  
[www.ghpgroupinc.com](http://www.ghpgroupinc.com)

**CONSERVEZ CETTE CARTE!**

Placez le  
timbre ici

**GHP Group, Inc.**  
6440 W Howard St  
Niles, IL 60714-3302