

DR® STUMP GRINDER

SAFETY & OPERATING INSTRUCTIONS



Serial No. _____

Order No. _____

DR Power Equipment
Toll-free phone: 1-800-DR-OWNER (376-9637)
Fax: 1-802-877-1213
Website: www.DRpower.com

WARNING

Read and understand this manual and all instructions before operating the DR STUMP GRINDER.

Table of Contents

Chapter 1: General Safety Rules.....	3
Chapter 2: Setting Up The DR STUMP GRINDER	6
Chapter 3: Operating The DR STUMP GRINDER	17
Chapter 4: Maintaining The DR STUMP GRINDER.....	21
Chapter 5: Troubleshooting	29
Chapter 6: Parts Lists and Schematic Diagrams.....	32

Conventions used in this manual

! WARNING

This indicates a hazardous situation, which, if not avoided, could result in death or serious injury.

! CAUTION

This indicates a hazardous situation, which, if not avoided, could result in minor or moderate injury.

NOTICE

This information is important in the proper use of your machine. Failure to follow this instruction could result in damage to your machine or property.

Serial Number and Order Number

A Serial Number is used to identify your machine and is located on the Serial Number Label on your machine (**Figure 1**). An Order Number is used to check and maintain your order history and is located on the upper left portion of your packing slip. For your convenience and ready reference, enter the Serial Number and Order Number in the space provided on the front cover of this manual.

Additional Information and Potential Changes

DR Power Equipment reserves the right to discontinue, change, and improve its products at any time without notice or obligation to the purchaser. The descriptions and specifications contained in this manual were in effect at printing. Equipment described within this manual may be optional. Some illustrations may not be applicable to your machine.



Figure 1

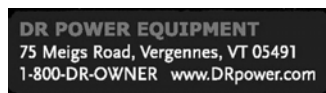
Chapter 1: General Safety Rules

WARNING

Read this safety & operating Instructions manual before you use the DR STUMP GRINDER. Become familiar with the operation and service recommendations to ensure the best performance from your machine. If you have any questions or need assistance, please contact us at www.DRpower.com or call toll-free 1-800-DR-OWNER (376-9637) and one of our Technical Support Representatives will be happy to help you.

Labels

Your DR STUMP GRINDER carries prominent labels as reminders for its proper and safe use. Shown below are copies of all the Safety and Information labels that appear on the equipment. Take a moment to study them and make a note of their location on your STUMP GRINDER as you set up and before you operate the unit. Replace damaged or missing safety and information labels immediately.



#23545



#13758



#15345



#13683 (DR Engines)



#26488



#25709



#18887 (B&S Engines)



#19320

Protecting Yourself and Those Around You

WARNING

This is a high-powered machine, with moving parts operating with high energy. You must operate the machine safely. Unsafe operation can create a number of hazards for you, as well as anyone else in the nearby area. Always take the following precautions when using this machine:

- Keep in mind that the operator or user is responsible for accidents or hazards occurring to other people, their property, and themselves.
- Always wear protective goggles or safety glasses with side shields while using the STUMP GRINDER to protect your eyes from possible thrown debris.
- Avoid wearing loose clothing or jewelry, which can catch on moving parts.
- We recommend wearing gloves while using the STUMP GRINDER. Be sure your gloves fit properly and do not have loose cuffs or drawstrings.
- Wear shoes with non-slip treads when using your STUMP GRINDER. If you have safety shoes, we recommend wearing them. Do not use the machine while barefoot or wearing open sandals.
- Wear long pants while operating the STUMP GRINDER.
- Use ear protectors or ear plugs rated for at least 20 dba to protect your hearing.
- Keep bystanders at least 50 feet away from your work area at all times. Stop the engine when another person or pet approaches.

Safety for Children and Pets

! WARNING

Tragic accidents can occur if the operator is not alert to the presence of children and pets. Children are often attracted to the machine and the grinding activity. *Never* assume that children will remain where you last saw them. Always follow these precautions:

- Keep children and pets at least 50 feet from the working area and ensure they are under the watchful care of a responsible adult.
 - Be alert and turn the machine off if children or pets enter the work area.
 - Never allow children to operate the STUMP GRINDER.
-

Safety with Gasoline - Powered Machines

! WARNING

Gasoline is a highly flammable liquid. Gasoline also gives off flammable vapor that can be easily ignited and cause a fire or explosion. Never overlook the hazards of gasoline. Always follow these precautions:

- Never run the engine in an enclosed area or without proper ventilation as the exhaust from the engine contains carbon monoxide, which is an odorless, tasteless, and deadly poisonous gas.
 - Store all fuel and oil in containers specifically designed and approved for this purpose and keep away from heat and open flame, and out of the reach of children.
 - Replace rubber fuel lines and grommets when worn or damaged and after 5 years of use.
 - Fill the gasoline tank outdoors with the engine off and allow the engine to cool completely. Don't handle gasoline if you or anyone nearby is smoking, or if you're near anything that could cause it to ignite or explode. Reinstall the fuel tank Cap and fuel container cap securely.
 - If you spill gasoline, do not attempt to start the engine. Move the machine away from the area of the spill and avoid creating any source of ignition until the gas vapors have dissipated. Wipe up any spilled fuel to prevent a fire hazard and properly dispose of the waste.
 - Allow the engine to cool completely before storing in any enclosure. Never store a machine that has gas in the tank, or a fuel container, near an open flame or spark such as a water heater, space heater, clothes dryer or furnace.
 - Never make adjustments or repairs with the engine running. Shut down the engine, disconnect the spark plug wire, keeping it away from the spark plug to prevent accidental starting, wait 5 minutes before making adjustments or repairs.
 - Never tamper with the engine's governor setting. The governor controls the maximum safe operation speed and protects the engine. Over-speeding the engine is dangerous and will cause damage to the engine and to the other moving parts of the machine. If required, see your authorized dealer for engine governor adjustments.
 - Keep combustible substances away from the engine when it is hot.
 - Never cover the machine while the muffler is still hot.
 - Do not operate the engine with the air cleaner or the carburetor air intake cover removed. Removal of such parts could create a fire hazard. Do not use flammable solutions to clean the air filter.
 - The muffler and engine become very hot and can cause a severe burn; do not touch.
-

General Safety

! WARNING

Operating this Stump Grinder safely is necessary to prevent or minimize the risk of death or serious injury. Unsafe operation can create a number of hazards for you. Always take the following precautions when operating this Stump Grinder:

- Your Stump Grinder is a powerful tool, not a plaything. Exercise extreme caution at all times. The machine is designed to grind stumps. Do not use it for any other purpose.
 - Know how to stop the Stump Grinder quickly; see "stopping the engine" in chapter 3.
-

General Safety (continued)

WARNING

- Never operate your unit on a slippery, wet, muddy, or icy surface. Exercise caution to avoid slipping or falling.
- See manufacturer's instructions for proper operation and installation of accessories. Only use accessories approved by DR Power Equipment.
- Never use the machine without ensuring that all guards and shields are in place.
- Never, under any conditions, remove, bend, cut, fit, weld, or otherwise alter standard parts on the Stump Grinder. This includes all shields and guards. Modifications to your machine could cause personal injuries and property damage and will void your warranty.
- Allow only one person to operate the Stump Grinder at any time.
- If the machine should start making an unusual noise or vibration, shut down the engine, disconnect the spark plug wire, keeping it away from the spark plug to prevent accidental starting, wait 5 minutes, then inspect for damage. Vibration is generally a warning of trouble. Check for damaged parts and clean, repair, and/or replace as necessary.
- Never tamper with safety devices. Check their proper operation regularly.
- Before performing any maintenance or inspection procedure on the Stump Grinder, release the throttle lever first and then release the operator presence lever, turn the ignition switch to "off", remove the spark plug wire and keep it away from the spark plug.
- Never allow people who are unfamiliar with these instructions to use the Stump Grinder. Allow only responsible individuals who are familiar with these rules of safe operation to use your machine.
- Never overload or attempt to grind material beyond the manufacturer's recommendation. Personal injury or damage to the machine could result.
- While using the Stump Grinder, don't hurry or take things for granted. When in doubt about the equipment or your surroundings, stop the machine and take the time to look things over.
- Never operate the machine when under the influence of alcohol, drugs, or medication.
- Use the machine only in daylight.
- Stay alert for hidden hazards or traffic.
- Keep all nuts and bolts tight and keep the equipment in good operating condition.

California Proposition 65

WARNING

California Proposition 65:

- Engine exhaust and some of its constituents are known to the State of California to cause cancer, birth defects, and other reproductive harm.
- This product contains or emits chemicals known to the State of California to cause cancer, birth defects, and other reproductive harm.

A Note to All Users

Under California law, and the laws of some other states, you are not permitted to operate an internal combustion engine using hydrocarbon fuels without an engine spark arrester. This also applies to operation on US Forest Lands. All DR® STUMP GRINDERS shipped to California, New Mexico and Washington State are provided with spark arresters. Failure of the owner or operator to maintain this equipment in compliance with state regulations is a misdemeanor under California law and may be in violation of other state and/or federal regulations. Contact your State Park Association or the appropriate state organization for specific information in your area.

No list of warnings and cautions can be all-inclusive. If situations occur that are not covered by this manual, the operator must apply common sense and operate this DR STUMP GRINDER in a safe manner. Contact us at www.DRpower.com or call 1-800-DR-OWNER (376-9637) for assistance.

Chapter 2: Setting Up The DR STUMP GRINDER

It may be helpful to familiarize yourself with the controls and features of your DR STUMP GRINDER as shown in **Figure 2** before beginning these procedures. If you have any questions at all, please feel free to contact us at www.DRpower.com.

DR STUMP GRINDER Controls and Features

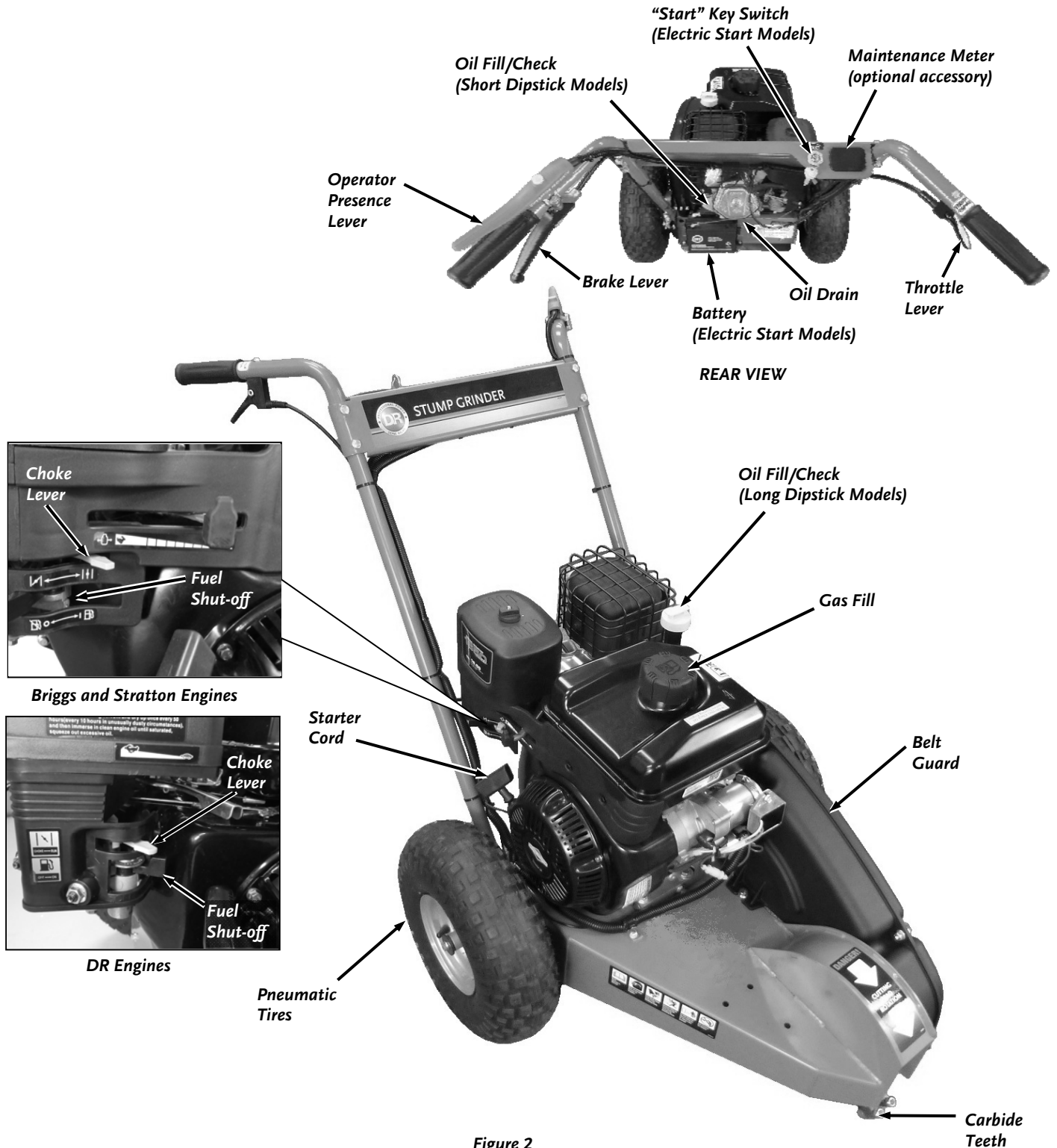


Figure 2

Specifications

	Premier	Pro	Pro XL
Engine	Please refer to the Engine Owner's Manual for Engine-specifications.	Please refer to the Engine Owner's Manual for Engine-specifications.	Please refer to the Engine Owner's Manual for Engine-specifications.
Tire Size	14.5" Pneumatic	14.5" Pneumatic	14.5" Pneumatic
Handle Bars	Height adjustable to 32", 36.5" and 40" (w/tools)	Height adjustable to 32", 36.5" and 40" (w/tools)	Height adjustable to 32", 36.5" and 40" (w/tools)
Brake	Band w/ locking feature	Band w/ locking feature	Band w/ locking feature
Diameter	4"	4"	4"
Clutch	Centrifugal	Centrifugal	Centrifugal
Engagement speed	1900 RPMs	1900 RPMs	1900 RPMs
Frame	Welded 12 ga steel construction	Welded 12 ga. steel construction	Welded 12 ga. steel construction
Belt	V-Belt	V-Belt	V-Belt </td
Size	AP47: 49.3" OD, 47.3" ID	BP47: 49.8" OD, 47.3" ID	BP47: 49.8" OD, 47.3" ID
Construction	Wrapped for abrasion resistance	Wrapped for abrasion resistance	Wrapped for abrasion resistance
Cutting Head	Rotary 8 Tooth	Rotary 8 Tooth	Rotary 8 Tooth
Cutting Head Size (w/Teeth)	1.75" Wide (kerf) X 10.5" Diameter	1.75" Wide (kerf) X 10.5" Diameter	1.75" Wide (kerf) X 10.5" Diameter
Cutting Teeth	Replaceable Carbide Tipped (three position)	Replaceable Carbide Tipped (three position)	Replaceable Carbide Tipped (three position)
Machine Dimensions	28" W x 51" L x 36" H* - *center Handlebar position	28" W x 51" L x 36" H* - *center Handlebar position	28" W x 51" L x 36" H* - *center Handlebar position
Weight	124 lbs	M/S 148 lbs, E/S 163 lbs	187 lbs

Compare the contents with the "Parts Supplied" list below. If you have any questions please contact us at www.DRpower.com or call 1-800-DR-OWNER (376-9637) for assistance.

Parts Supplied in Parts Box (Figure 3):

Item#	Part #	Description	Qty
1	12336	Bolt, HHCS, 5/16-18 x 1-1/4", GR5, ZP	1
2	11076	Nut, Nylon Lock, 5/16-18	1
3	15043	Bolt, HHCS, 3/8-16 x 1-1/4", GR5	3
4	15712	Bolt, HCS, 3/8-16 x 2-1/4", Full Thread	1
5	11241	Washers, Flat, 5/16", USS	8
6	11075	Nut, Nylon Lock, 3/8-16	4
7	16413	Nut, Nylon Lock, 3/8-16, Low Profile	1
8	26473	Brake, Band	1
9	11214	Cable Tie, 7-1/2"	8
10	26478	Cable, Brake	1
11	N/A	Barrel, Cable -NOT USED FOR THIS SETUP-	1

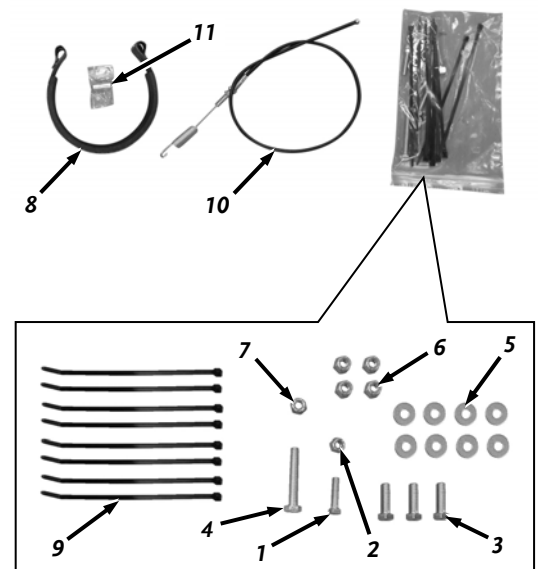


Figure 3

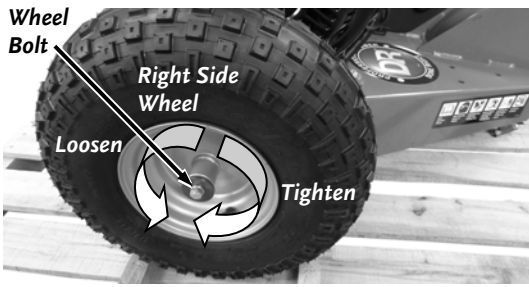


Figure 4

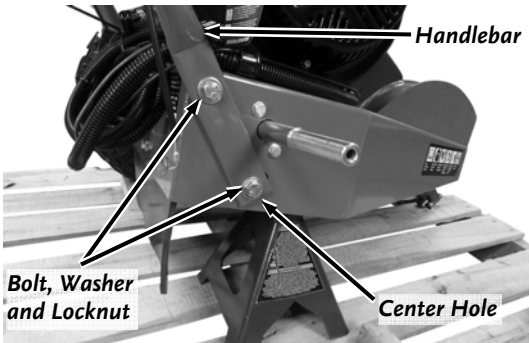


Figure 5

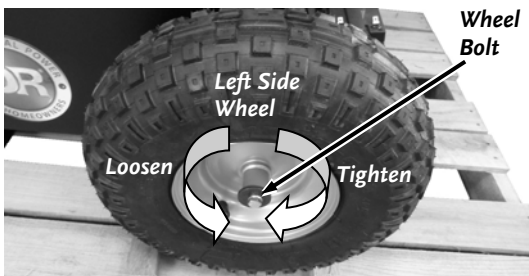


Figure 6



Figure 7

Assembly Instructions

Tools & Supplies Needed:

- Eye Protection
- Wire Cutters
- Two 1/2" Wrenches
- Two 9/16" Wrenches

1. Loosen the Bolt that secures the right side wheel a couple of turns using a 1/2" Wrench (**Figure 4**).

Note: If the Axle turns when trying to loosen the Bolt, you may need to hit the Wrench with a soft faced Hammer to get it started.

2. Support the machine with a Jack Stand or Blocking to raise the right side wheel just off the ground.

Note: Make sure the Jack Stand or Blocking doesn't cover access to the corners of the Frame where the Handlebars will attach (**Figure 5**).

3. Remove the Bolt, Lock Washer, large Flat Washer and right side Wheel (with two Bushings) from the Axle (**Figure 4**). Take note of how the Bushings are installed in the Wheels for reassembly.

4. Position the right side of the Handlebar with the lower mounting hole aligned with the center hole (of the 3 holes) in the Frame (**Figure 5**).

5. Loosely install a 3/8-16 x 1-1/4" Bolt, Washer and Locknut by hand into the lower Handlebar hole. Rotate the Handlebar up and loosely install a 3/8-16 x 1-1/4" Bolt, Washer and Locknut by hand to hold the upper end of the Handlebar. This Hardware will be tightened later on.

6. Replace the right side Wheel (with two Bushings) and secure with the Bolt, Washer and Locknut by hand.

7. Lower the machine and finish tightening the right wheel Bolt with a 1/2" Wrench.

8. Loosen the Bolt that secures the left side wheel a couple of turns using a 1/2" Wrench (**Figure 6**).

9. Support the machine with a Jack Stand or Blocking to raise the left side wheel just off the ground (**Figure 7**).

Note: Make sure the Jack Stand or Blocking doesn't cover access to the corners of the Frame where the Handlebars will attach.

10. Remove the Bolt, Lock Washer, large Flat Washer and left side Wheel from the Axle. Take note of the Key that is in the Axle Keyway (**Figure 8**), if it falls out, keep it in a safe place.

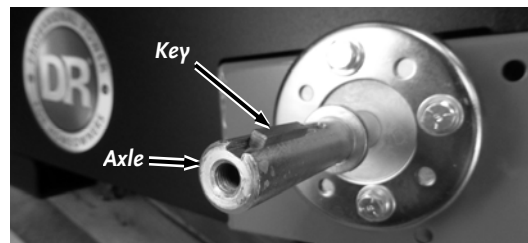


Figure 8

11. Align the left side of the Handlebar with the holes in the Frame (**Figure 9**). At the top hole, install a 3/8-16 x 2-1/4" Bolt with washer (Inside Frame) and Locknut with Washer (against Handlebar). Tighten with two 9/16" Wrenches.
12. At the bottom hole, install a 3/8-16 x 1-1/4" Bolt with Washer (Handlebar side) and Locknut (inside Frame) (**Figure 10**). Secure with two 9/16" Wrenches.
13. Tighten the right side Handlebar Hardware you installed in step 5 using two 9/16" Wrenches.
14. Place the Brake Band over the Brake Drum with the top loop of the Band over the 2-1/4" Bolt (**Figure 11**). You may discard the small Barrel included in the Brake Band package.

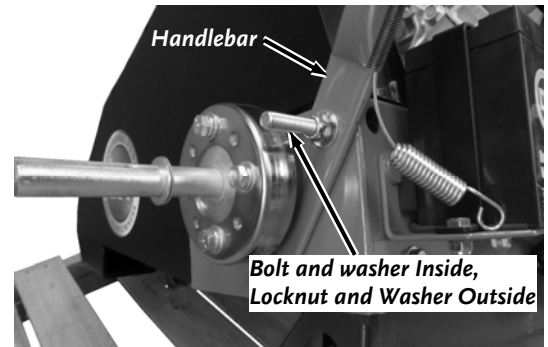


Figure 9

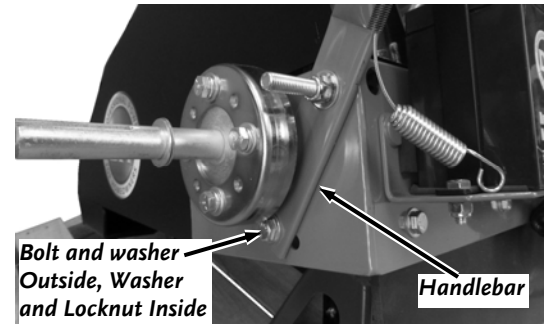


Figure 10

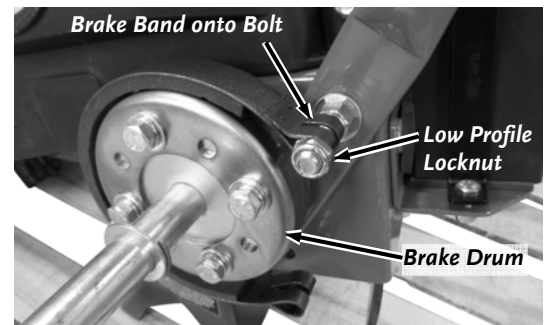


Figure 11

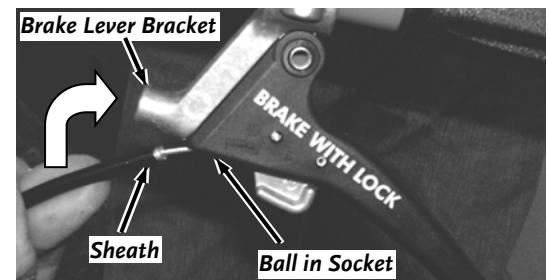


Figure 12

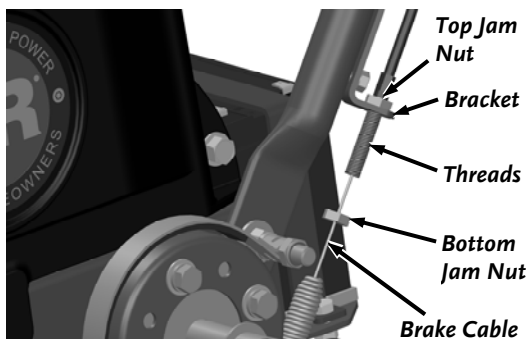


Figure 13

NOTICE

The Small Barrel shaped part that came with your Brake Band Package is not needed for this application and can be discarded.

15. Install the Low Profile 3/8" Lock nut against the Brake Band with a 9/16" Wrench just enough so the Brake Band will not move side to side but can still rotate on the Bolt.
16. Slip the barrel end of the Brake Cable into the socket in the Brake Lever and then insert the Brake Cable Sheath into the end of the Brake Lever Bracket (**Figure 12**).
17. Rotate the top Jam Nut to the top of the threads on the Brake Cable (**Figure 13**).
18. Rotate the bottom Jam Nut down and off the threaded portion of the Cable.
19. Insert the threaded portion of the Cable down through the hole in the bracket.

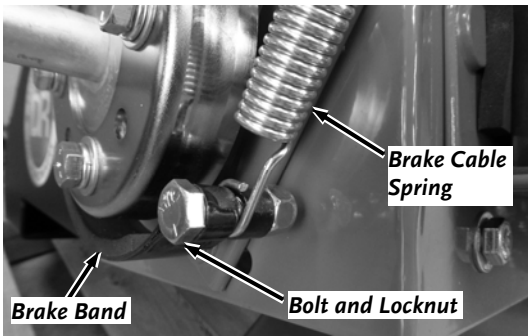


Figure 14

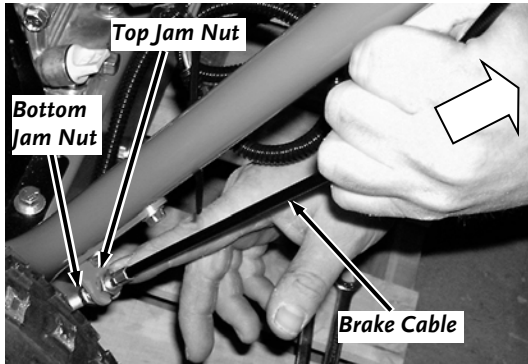


Figure 15

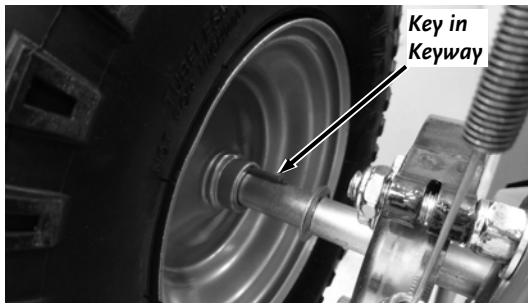


Figure 16

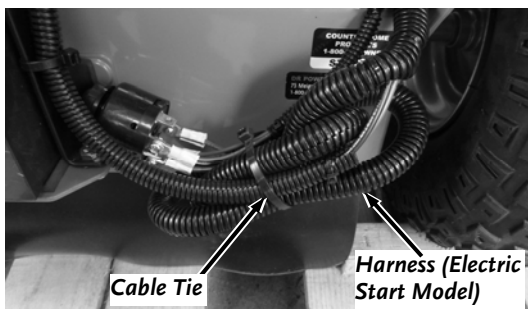


Figure 17

20. Attach the Brake Cable Spring to the bottom loop of the Brake Band using a 5/16-18 x 1-1/4" Bolt and Locknut. Tighten with two 1/2" Wrenches (**Figure 14**).

21. Pull up on the Brake Cable until you just feel resistance and the Brake Band is just touching all around the Brake Drum and turn the top Jam Nut down against the Bracket (**Figure 15**).

22. Turn the lower Nut on the adjuster onto the threaded portion and up against the Bracket. Tighten both Nuts against the Bracket using two 1/2" Wrenches.

23. Position the Key into the Axle Keyway, align the Key Slot in the Wheel with the Key and slide the Wheel onto the Axle (**Figure 16**).

24. Install the Bolt, Lock Washer and Flat Washer you removed in step 10 using a 1/2" Wrench.

25. Cut the Cable Tie that is securing the Wire Harness at the rear of the machine using Wire Cutters (**Figure 17**).

Note: The Electric Start model that has the Harness on the right side is shown in Figure 17. The Harness for manual start machine is on the left hand side.

26. Electric Start models only: Plug the Key Switch Connectors (Connectors with red wires and a "Key Switch" Tag) onto the Key Switch Terminals (**Figure 18**). It does not matter which red Wire is connected to which Key Switch Terminal.

27. Plug the black Operator Presence Connector into the black Harness Connector (Connector with green wires). There is a key way molded into the Connector so it can only go together one way.

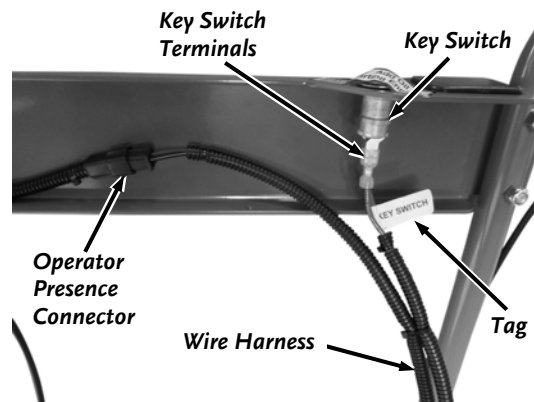


Figure 18

28. If there is a Cable Tie securing the Throttle Cable at the end of the Handlebars, move it further up on the handlebar (**Figure 19**). This cable Tie can also be cut if it is too tight to move easily.

INSTALLING THE THROTTLE CABLE

Tools & Supplies Needed:

- Phillips Head Screw Driver
- 10mm Wrench

-Models with DR 11.1 Torque Engine:

1. Remove the Air Filter Cover by removing the Wing Nut and lifting the Cover up off the Filter Base (**Figure 20**).
2. Remove the Filter by removing the Wing Nut and lifting the Filter up off the Filter Base (**Figure 21**).
3. Remove the two Screws at the top of the Filter Base using a Philips Head Screwdriver (**Figure 22**).
4. Remove the two Nuts from the front of the Filter Base using a 10mm Wrench.
5. Move the Fuel Shutoff and Choke Levers to the left and remove the Filter Base from the Engine.
6. Hook the "Z" Bend end of the Throttle Cable in the Hole (hole furthest left) in the Throttle Linkage (**Figure 23**). Loosen the Bowden Clamp with a Phillips Head Screw Driver and position the Cable Sheath under the Clamp.
7. Hold the Engine Throttle Lever to the right in the idle (Turtle) position. While holding the Throttle Lever, pull on the Cable Sheath to tighten the Cable.
8. Hold the Sheath in this position and release the Engine Throttle Lever. Tighten the Bowden Clamp onto the Sheathing using a Philips Head Screwdriver. Make sure the Tab of the Clamp fits into the cutout below. Do not over-tighten.
9. Actuate the Throttle Lever on the right side Handlebar to ensure that the Throttle Linkage goes smoothly to full throttle and back to Idle when released.
10. Reinstall the Filter Base, Filter and Filter Cover making sure the Rubber Hose from the Filter Base is inserted into the Valve Cover fully.

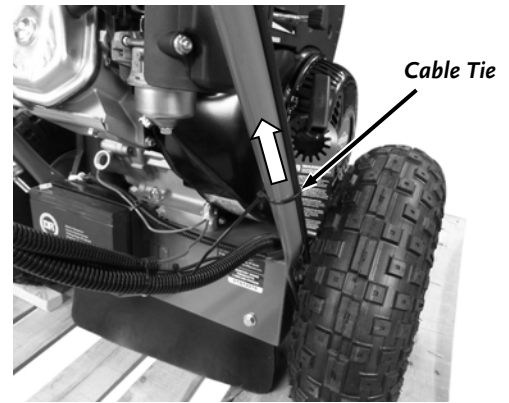


Figure 19

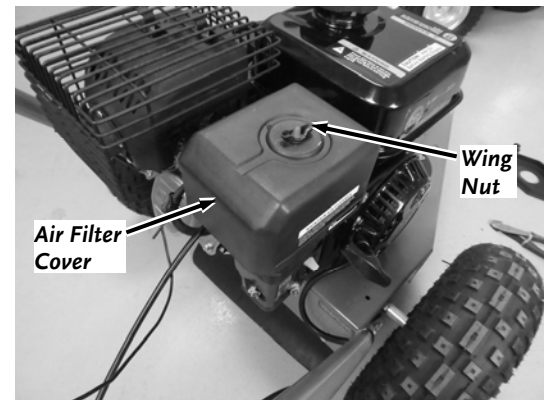


Figure 20

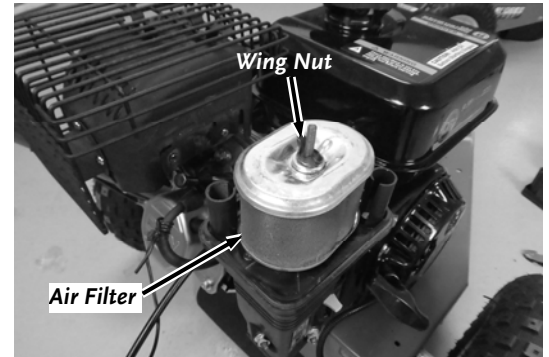


Figure 21

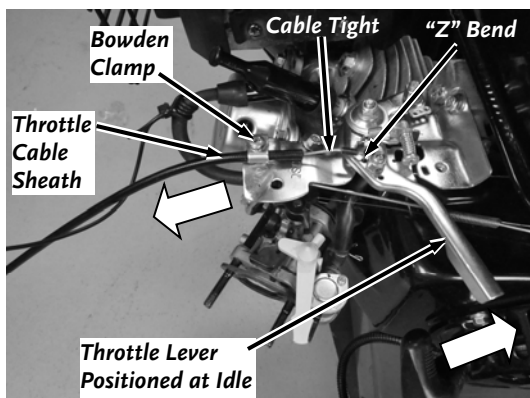


Figure 23

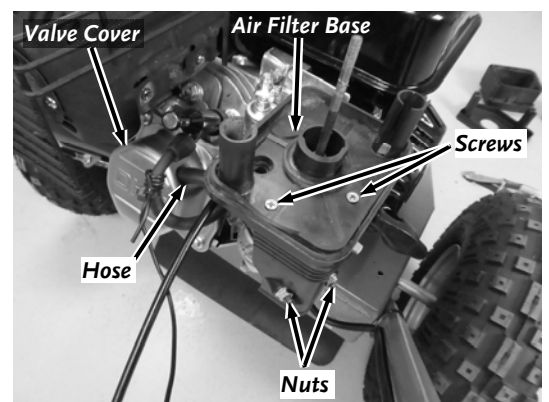


Figure 22

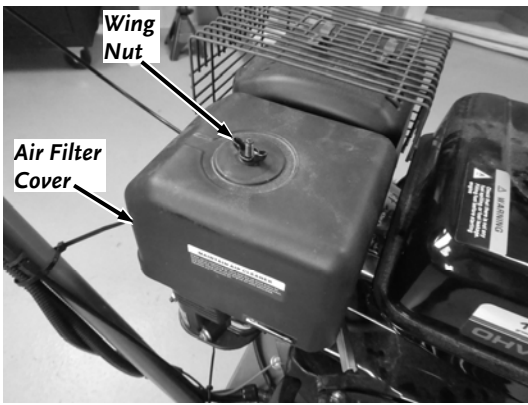


Figure 24

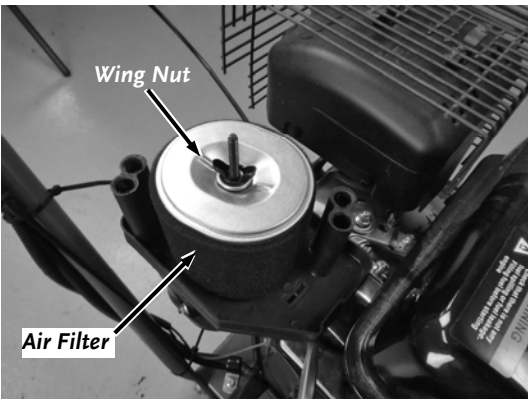


Figure 25

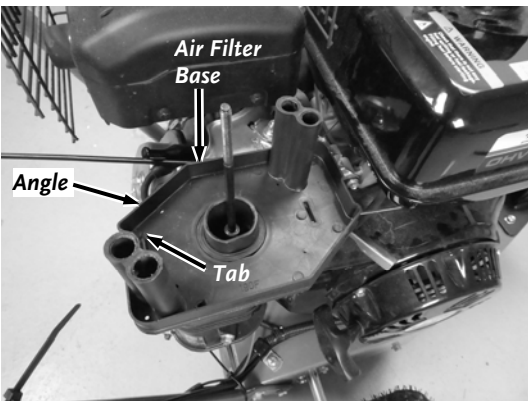


Figure 26

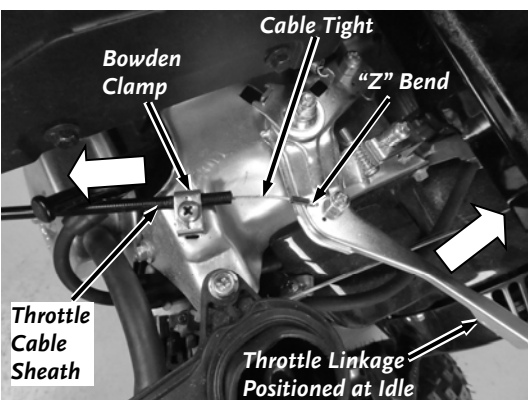


Figure 27

-Models with DR 19.6 Torque Engine:

1. Remove the Air Filter Cover by removing the Wing Nut and lifting the Cover up off the Filter Base (**Figure 24**).
2. Remove the Filter by removing the Wing Nut and lifting the Filter up off the Filter Base (**Figure 25**).
3. Pull up on the Filter Base to remove it from the Engine (**Figure 26**).
4. Hook the "Z" Bend end of the Throttle Cable in the Hole (hole furthest left) in the Throttle Linkage (**Figure 27**). Loosen the Bowden Clamp with a Phillips Screw Driver and position the Cable Sheath under the Clamp.
5. Hold the Engine Throttle Lever to the right in the idle (Turtle) position. While holding the Throttle Lever, pull on the Cable Sheath to tighten the Cable.
6. Hold the Sheath in this position and release the Engine Throttle Lever. Tighten the Bowden Clamp onto the Sheathing using a Philips Head Screwdriver. Make sure the Tab of the Clamp fits into the cutout below. Do not over-tighten.
7. Actuate the Throttle Lever on the right side Handlebar to ensure that the Throttle Linkage goes smoothly to full throttle and back to Idle when released.
8. Reinstall the Filter Base, Filter and Filter Cover.

-Briggs and Stratton Engines:

Note: The Throttle Cable can be installed without removing the Air Filter Cover and Air Filter but can be removed to allow more room if desired.

1. Hook the "Z" Bend end of the Throttle Cable in the Hole (hole furthest left) in the Throttle Linkage (**Figure 28**). Loosen the Bowden Clamp with a Phillips Screw Driver and position the Cable Sheath under the Clamp.

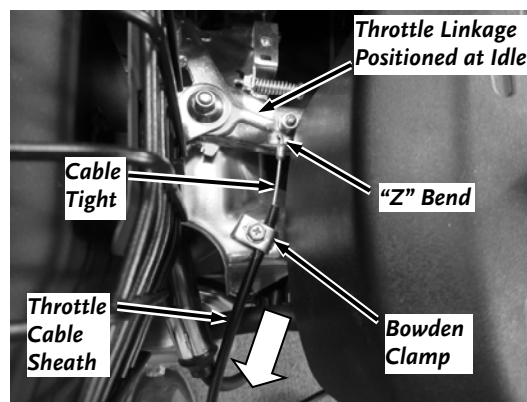


Figure 28

2. Hold the Engine Throttle Lever to the right in the idle (Turtle) position. While holding the Throttle Lever, pull on the Cable Sheath to tighten the Cable.
3. Hold the Sheath in this position and release the Engine Throttle Lever. Tighten the Bowden Clamp onto the Sheathing using a Philips Head Screwdriver. Make sure the Tab of the Clamp fits into the cutout below. Do not over-tighten.
4. Actuate the Throttle Lever on the right side Handlebar to ensure that the Throttle Linkage goes smoothly to full throttle and back to Idle when released.

-Installing Cable Ties:

1. Use the Cable Ties to secure the Cables and Wires to the Control panel and handlebars at the locations indicated (**Figure 22**).
2. Roll the Stump grinder off the Pallet.



Figure 29

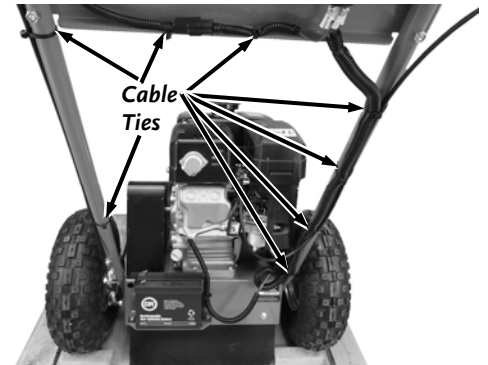


Figure 30

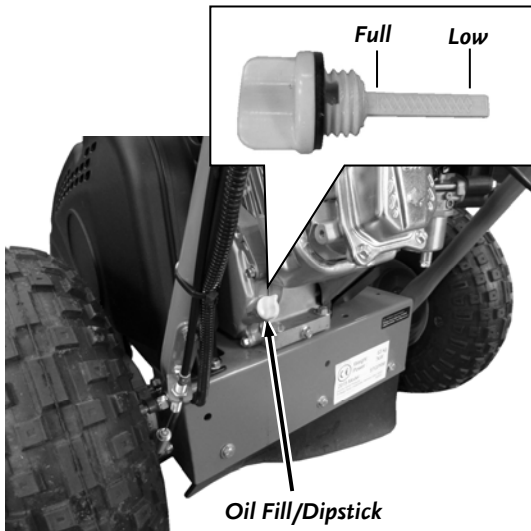


Figure 31

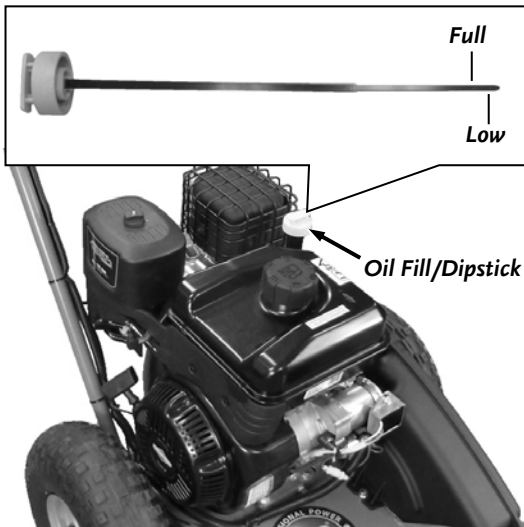


Figure 32

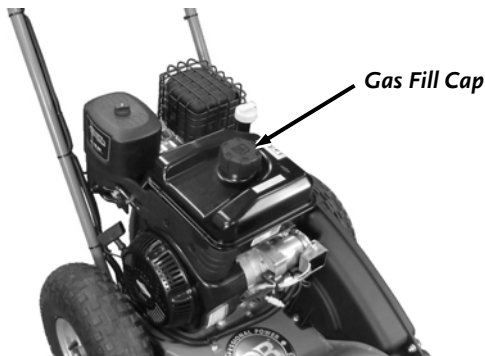


Figure 33

Adding Oil and Gasoline

NOTICE

- You must add oil before starting the engine. This machine is shipped without oil. Traces of oil may be in the reservoir from factory testing, but you must add oil before starting the engine. Fill the reservoir slowly, checking the level frequently to avoid overfilling.
- To get an accurate reading when checking the oil level:
 - The Engine must be level (Support front of machine as needed).
 - Short Dipstick Models: The dipstick should not be screwed down to ensure an accurate oil level reading.
 - Long Dipstick Models: The dipstick should be screwed down to ensure an accurate oil level reading.

Engine Oil	SAE 30: above 50 degrees F; 10w-30: 10-90 degrees F; 5w-30: 30 degrees F or below
Fuel	Unleaded gasoline

Note: Use only the recommended high detergent engine oil. Other types of oil could cause problems operating your machine. Please refer to your Engine Owner's Manual for detailed oil information.

NOTICE

The Frame and Engine must be level to get an accurate reading when adjusting the oil level. Use blocks to adjust the height of the cutting head to level the Frame.

- Position the machine so the Frame and Engine are level. Remove the Oil Fill/Dipstick (**Figure 31 –Short Dipstick Models or Figure 32 - Long Dipstick Models**) and clean the end of it with a rag.
- Machines are shipped with no oil. Initially add 8 to 10 oz. of the oil recommended by the Engine Manufacturer. Wait one minute for the oil to settle.
- Replace the Dipstick (see Notice at top of page). Remove the Dipstick and check the oil level (clean the Dipstick with the rag after checking).
- Continue adding a few ounces of oil at a time, rechecking the Dipstick until the oil reaches the fill mark. Be careful not to overfill.
- Replace the Dipstick and screw all the way down when full.
- Remove the Gas Fill Cap and fill the Gas Tank with fresh, unleaded gas (with a minimum of 85 Octane) to approximately 1" to 1-1/2" below the top of the fill neck to allow for fuel expansion (**Figure 33**). Be careful not to overfill and reinstall the Gas Fill Cap before starting the engine. See your Engine Owner's Manual for more detailed information.

Note: To refill the gas tank, turn the engine OFF and let the engine cool at least five minutes before removing the gas fill cap.

! WARNING

Remove any blocking used to level the Engine before operating the DR Stump Grinder.

Check the Tire Pressure

Tools Needed:

- Tire Pressure Gauge
- Air Compressor

1. Remove the Valve Stem Protective Cap (**Figure 34**) and check the tire pressure with a Tire Pressure Gauge.
2. Compare the tire pressure reading from step 1 with the manufacturer's recommended tire pressure stamped on the side of the tire.
3. If the pressure is too low, add air through the Valve Stem with an air hose.

WARNING

Do not over inflate the tires. Inflate to the manufacturers recommended pressure found on the tires.

4. Replace the Valve Stem Protective Cap when finished.

Connect the Battery

Note: The Battery may have been shipped with a protective Cap over the negative Terminal and the Cap will need to be removed to connect the Negative Wire.

1. Connect the Black Negative Terminal onto the negative Battery Lug (**Figure 35**).

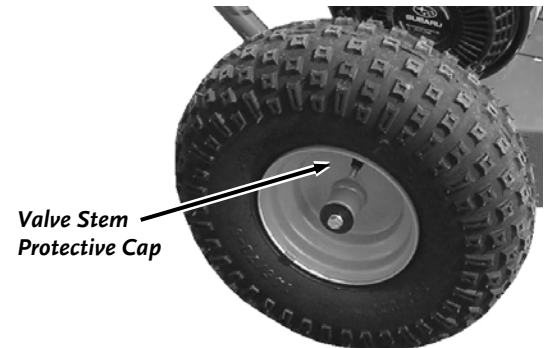


Figure 34

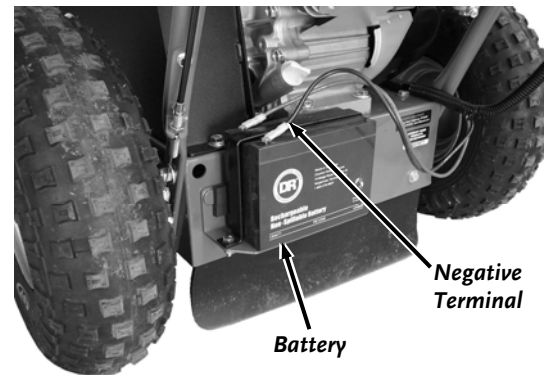


Figure 35

Chapter 3: Operating The DR STUMP GRINDER

It may be helpful to better familiarize yourself with the features of your Stump Grinder by reviewing **Figure 2** in Chapter 2 before beginning the steps outlined in this chapter.

! WARNING

Read and understand the warnings listed in “Chapter 2 General Safety Rules” before operating this Stump Grinder.

Control Levers

Familiarize yourself with all of the Control Levers and their functions before operating the Stump Grinder (**Figure 36**).

Starting the Engine (Manual Start)

1. Make sure the Fuel Shut-off is in the “OPEN” position (**Figure 37**).
2. Move the Choke Control Lever to the left to the choke position (leave in the run position to the right if the engine is already warm).

Note: The Operator Presence Lever must be held down for the Engine to start and continue running. If you need to stop the machine quickly for any reason, let go of the Operator Presence Lever.

3. Hold down the Operator Presence Lever and slowly pull the Starter Cord until you feel resistance, then pull quickly. The Cord will recoil back into position.
4. As the engine warms up, slowly adjust the Choke to the right towards the run position. Wait until the engine runs smoothly before each Choke adjustment.
5. When the Engine is warmed up and running smoothly, ensure that the Choke is fully in the run position to the right.

Starting the Engine (Electric Start)

1. Make sure the Fuel Shut-off is in the “OPEN” position (**Figure 37**).
2. Move the Choke Control Lever to the left to the choke position (leave in the run position to the right if the engine is already warm).

Note: The Operator Presence Lever must be held down for the Engine to start and continue running. If you need to stop the machine quickly for any reason, let go of the Operator Presence Lever.

3. Hold down the Operator Presence Lever and turn the Key Switch fully to the “Start” position until the engine starts (**Figure 38**). The Key will move back to the center position when released.
4. As the engine warms up, slowly adjust the Choke to the right towards the run position. Wait until the engine runs smoothly before each Choke adjustment.
5. When the Engine is warmed up and running smoothly, ensure that the Choke is fully in the run position to the right.

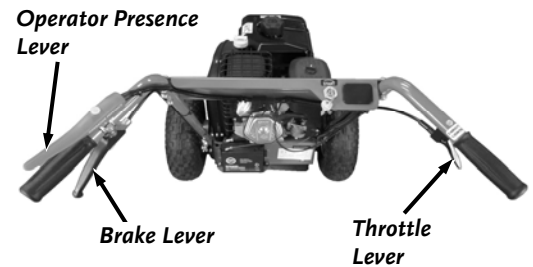


Figure 36

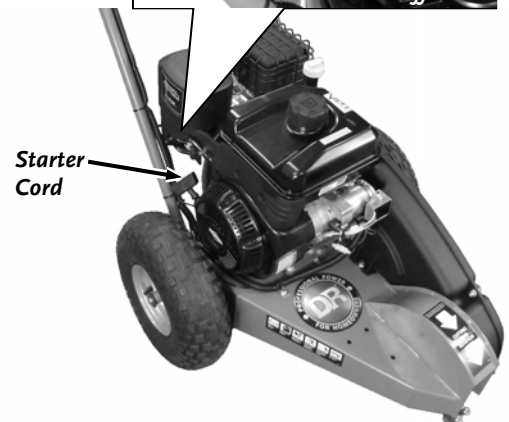
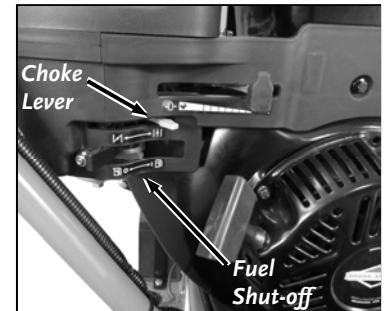


Figure 37

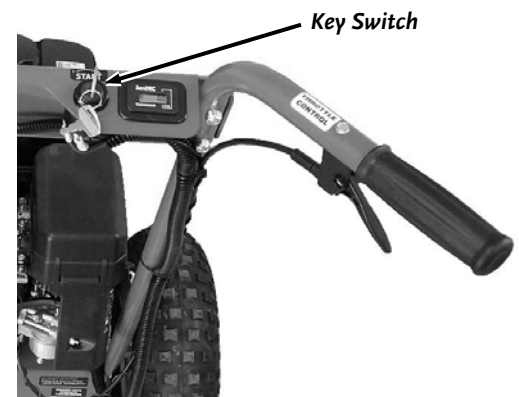


Figure 38

Stopping the Engine

1. Slowly release the Throttle Control Lever to the idle position (**Figure 36**).
2. Release the Operator Presence lever to stop the Engine.

Before You Begin

- Dig away the earth and remove any stones near the tree stump that may interfere with your work.
- Check that the ground is free of foreign objects, such as electrical cables, barbed wire, etc.
- Cut the stump as close to the ground as possible using a Chainsaw before using the Stump Grinder.

Grinding Stumps

These grinding instructions are basic guidelines. Try different techniques in direction and depth of cut to determine what works best for your situation.

WARNING

Read and understand the warnings listed in “Chapter 2 General Safety Rules” before operating this Stump Grinder.

1. Start the Engine as described in the “Starting the Engine” section on page 14.
2. Allow engine to warm up at idle for a few minutes.
3. Move the Stump Grinder into position with the Cutter Head at the right side of the stump on the edge closest to you (not touching) near the top edge (**Figure 39**).
4. Lock the Hand Brake by pulling the Brake Lever, sliding the Lock forward and releasing the Lever.

NOTICE

Always make sure the Teeth are not in contact with anything before operating the Throttle Lever. The Clutch will be damaged if the teeth are not free to turn as you start to press the Throttle.

5. Fully Squeeze the Throttle Lever on the right side Handlebar (this will engage the Cutter Head Rotation). Let the Cutter Head come up to speed.
6. Lower the Cutter Head approximately 1/2" to 1" into the front-top corner of the stump and slowly swing the Cutter Head to the left into the stump by pushing on the right hand handlebar (**Figure 40**). When you are finished with the first pass through the Stump, swing the Cutter Head back to the starting position on the right side. Lower the Cutter Head approximately 1/2" to 1" and slowly swing the Cutter Head to the left through the Stump. Continue this process until you have removed the front portion of the stump to ground level.

NOTICE

If the Engine bogs down, lift the Cutting Head away from the stump to allow the Cutting Head to come back up to speed before further cutting.

7. Swing the Cutter Head over to the right side (**Figure 41** arrow #1), advance the machine forward (arrow #2) by releasing and resetting the brake. The machine should only be advanced far enough to engage the Cutter Head into the stump so that when swept across the stump it will remove 1/2" to 1" of stump with each sweep.
8. Sweep the Cutter Head across the stump, cutting away 1/2" to 1" of stump.
9. Continue cutting and advancing until the top level of stump is all removed, making sure not to cut the stump deeper than ground level during this first stage.
10. Release the Throttle Lever and then the Operator Presence Lever to stop the Engine and wait ten seconds for Cutter Head to stop rotating.
11. Release the Brake so you can pull the machine away from the stump and remove the chips/debris and any dirt away from the stump.
12. Repeat steps 1 through 11 until the stump is removed to the desired depth.

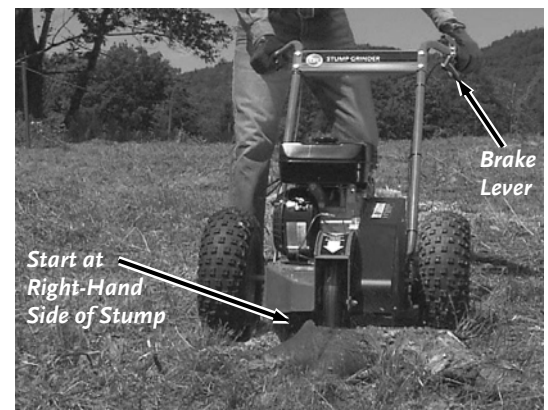


Figure 39

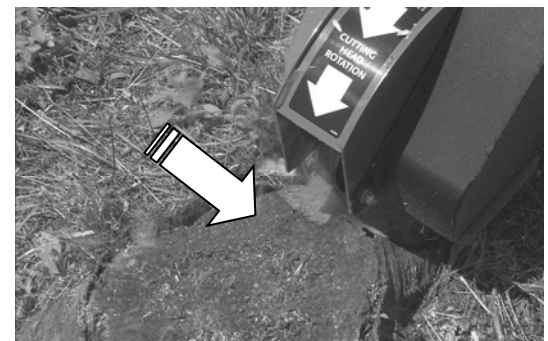


Figure 40

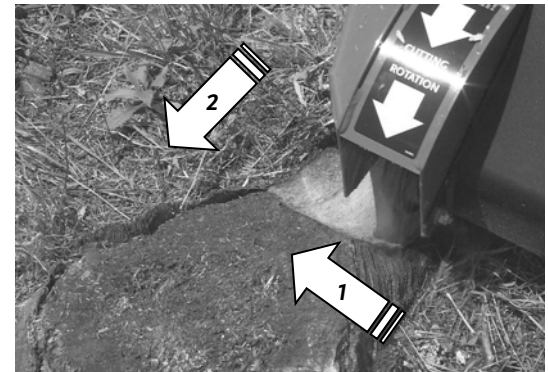


Figure 41

Chapter 4: Maintaining The DR STUMP GRINDER

Regular maintenance is the way to ensure the best performance and long life of your machine. Please refer to this manual and the engine manufacturer's owner's manual for maintenance procedures. Service intervals listed in the checklist below supersede those listed in the engine manufacturer's owner's manual.

⚠ WARNING

Before performing any maintenance procedure or inspection, stop the engine, wait five (5) minutes to allow all parts to cool. Disconnect the spark plug wire, keeping it away from the spark plug. Disconnect the Battery Terminals (Electric start only).

Regular Maintenance Checklist

PROCEDURE	BEFORE EACH USE	EVERY 25 HOURS	EVERY 60 HOURS	EVERY 100 HOURS
Check Engine Oil Level	▲			
Check General Equipment Condition	▲			
Check Cutting Teeth (are they dull or damaged)	▲			
Clean Engine Exterior & Cooling Fins	▲			
Remove debris wrapped around Cutter Head for Bearing protection.	▲			
Check Tire Pressure		▲		
Replace Belt if stretched or worn		▲		
Clean Air Filter		▲		
Lubricate Cables (SAE 30 Oil)		▲		
Change Engine Oil	1 st time 5 hours	▲		
Replace Cutting Teeth (or sooner if dull or damaged)		▲		
Check Cutter Head when Teeth are replaced		▲		
Replace Cutter Head (order kit # 30506)			▲	
Replace Spark Plug				▲
Replace Air Filter				▲

Removing and Replacing the Engine Oil

Tools and Supplies Needed:

- 10mm (Premier) or 12mm (Pro and Pro-XL) Wrench
- 1/2" Wrench (electric start only)
- Rags and approved Container (for waste oil)
- Small funnel
- Engine Oil (see your Engine Manual for Oil specifications)

NOTICE

The Frame and Engine must be level to get an accurate reading when adjusting the oil level. Use blocks to adjust the height of the cutting head to level the Frame.

1. For Electric Start machines you will first need to disconnect the Battery Terminals and remove the Battery Bracket by removing the two Locknuts from the Bracket Studs with a 1/2" Wrench (leave Battery attached to Bracket) (**Figure 42**).

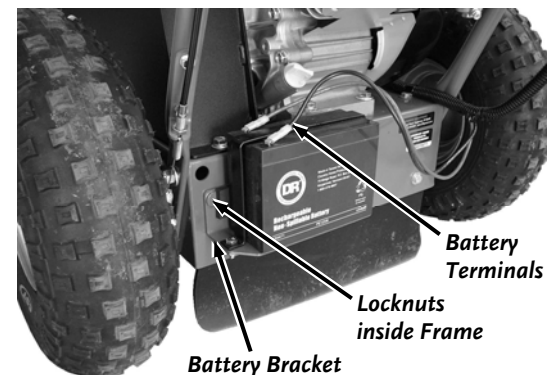


Figure 42

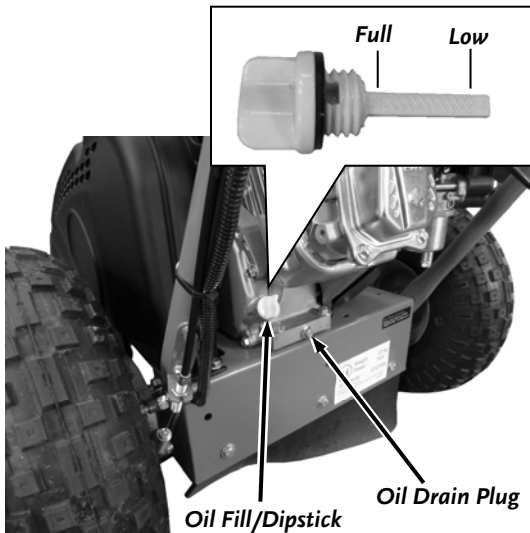


Figure 43

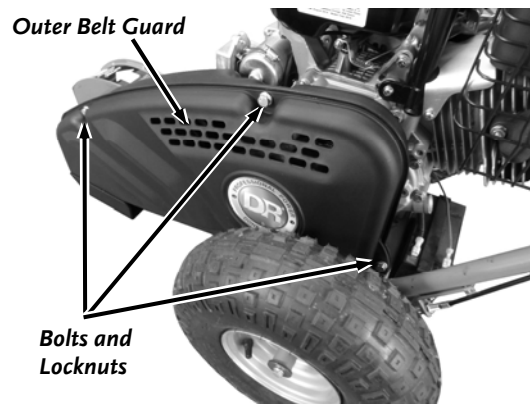


Figure 44

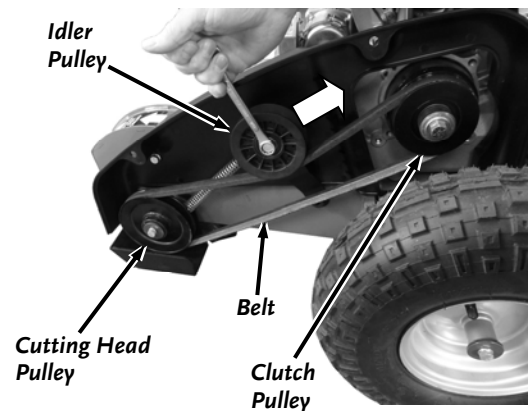


Figure 45

2. Position the machine so the Frame and Engine are level and place a Waste Oil Container under the Oil Drain Plug (**Figure 43**).
3. Remove the Oil Drain Plug with a 10mm Wrench (Premier) or a 12mm Wrench (Pro and Pro-XL) and let the Oil drain into the Container.
4. Replace the Oil Drain Plug and remove the Oil Fill/Dipstick.

NOTICE

- Fill the Oil reservoir slowly, checking the level frequently to avoid overfilling.
 - To get an accurate reading when checking the oil level:
 - The Engine must be level.
 - Premier and Pro Models (short dipstick): The dipstick should not be screwed down to ensure an accurate oil level reading.
 - Pro XL Models (long dipstick): The dipstick should be screwed down to ensure an accurate oil level reading.
5. Initially add 16 oz. of oil (type of oil recommended by the Engine Manufacturer) into the Oil Fill and wait one minute for the oil to settle.
 6. Check the Dipstick (see Notice above) and continue adding a few ounces of oil at a time, rechecking the Dipstick until the oil reaches the fill mark. Be careful not to overfill.
 7. Replace the Battery Bracket for electric start machines and reconnect the Battery.

Replacing the Belt

Tools and Supplies needed:

- Two 1/2" Wrenches
- 9/16" Wrench
- New DR Drive Belt (see chapter 6 for part numbers)
- Gloves

1. Remove the three Bolts and Locknuts from the Belt Guards with two 1/2" Wrenches and remove the outer Belt Guard (**Figure 44**).
2. You should wear Gloves as you position a 9/16" Wrench onto the Idler Pulley Bolt and inline with the Pulley Bracket (**Figure 45**). Pull the Wrench to rotate the Belt Tensioner away from the Belt and then remove the Belt by rotating the Cutting Head to roll the Belt over the top of the Pulley.
3. Reverse the previous steps to install the new Belt and reinstall the Belt Guard.

Note: When installing the Belt, place the Belt around the Clutch Pulley and into the Idler Pulley. Start the Belt over the top of the Cutting Head Pulley as you rotate the Cutting Head to roll the Belt onto the Pulley.

Replacing the Wheels

Tools and Supplies needed:

- 1/2" Wrench
- Jack Stand or Block

1. With the Stump Grinder on the ground, remove the Bolt, Lock Washer and Large Flat Washer from the Axle with a 1/2" Wrench (**Figure 46**).
2. Block the Stump Grinder up so the Wheels are off the ground and remove the Wheel.

NOTE: The Wheel on the right hand side has a Bushing in each end of the Wheel Hub (make sure the Bushings are in place when installing the Wheel). The left hand Wheel has a Keyway built in with a key to hold it from spinning when the Brake is applied (make sure the Key is installed in the slot when installing the Wheel).

3. Reinstall the Wheel and secure with the Bolt, Lock Washer and large Flat Washer using a 1/2" Wrench.

Rotating the Teeth (from dull to sharp edge)

Tools and Supplies needed:

- 1/2" Wrench
- Dead Blow Hammer
- Gloves

CAUTION

Wear Gloves when working near the teeth. Without Gloves your hands may get cut from the sharp edges.

1. Block the front end of the Stump Grinder so the Cutter Head is just off the ground.

Note: It may help to mark the "Dull" cutting edge prior to rotating the Teeth so you can be sure you have rotated to an unused cutting edge.

2. Loosen the Locknut on the Tooth until the top of the Locknut is flush with the top of the Tooth threads (**Figure 47**).
3. Lightly tap on the top of the Locknut with a Dead-blow Hammer so the Tooth will drop down away from the Tooth Mount (**Figure 48**).
4. Rotate the Tooth until the next flat area on the side of the Tooth is aligned with the flat area of the Mount (**Figure 49**).
5. After the tooth has been turned to the desired position push the Tooth up into the Mount and tighten the Locknut. There are no torque specification needed for the Locknut, but make sure you tighten them firmly.
6. Repeat steps 2-5 for the remaining Teeth as needed.

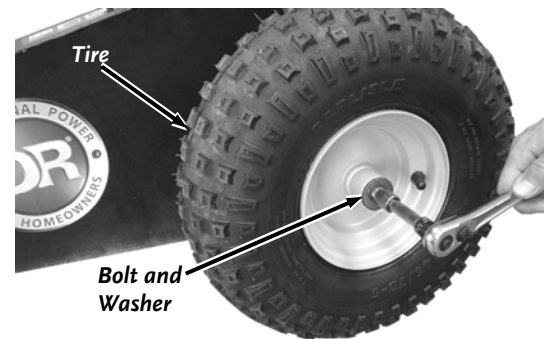


Figure 46

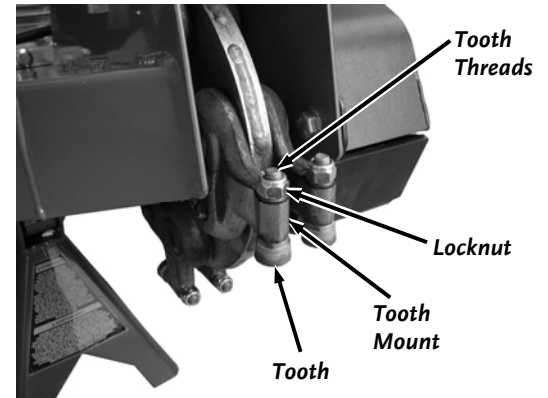


Figure 47

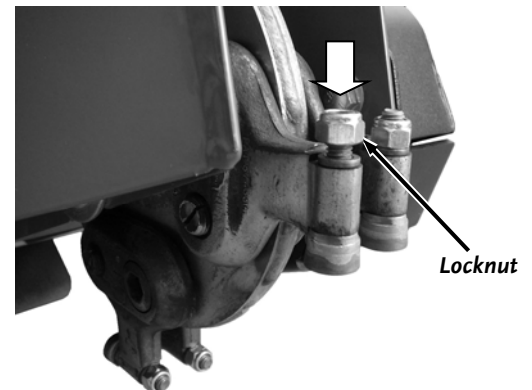


Figure 48

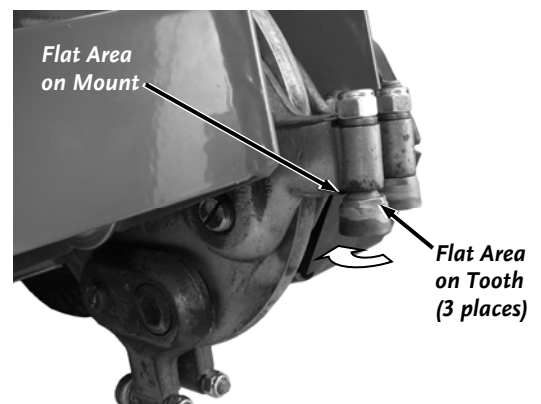


Figure 49

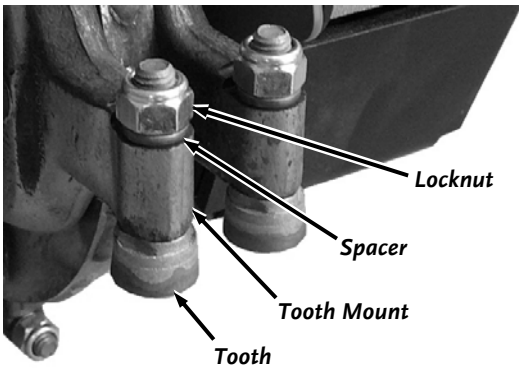


Figure 50

Replacing the Cutting Teeth

Tools and Supplies needed:

- 1/2" Wrench
- 1/2" Socket
- Torque Wrench
- Dead Blow Hammer
- Gloves

! CAUTION

Wear Gloves when working near the teeth. Without Gloves your hands may get cut from the sharp edges.

1. Block the front end of the Stump Grinder so the Cutter Head is just off the ground.

NOTICE

If you tip the machine back on the Handlebars (only recommended temporarily for service), make sure you turn off the fuel (see Figure 29 on page 14). Never tip the machine back on the Handlebars for long periods or for storage. Oil will get into the muffler if the machine is tipped completely back for long periods of time and could damage the engine.

2. Remove the Locknut from the tooth threads (**Figure 50**).
 3. Lightly tap on the top of the Tooth Threads with a Dead-blow Hammer to remove the Tooth from the Tooth Mount.
- Note:** In the next step make sure that the flat spot on the mount and one of the flat spots on the Tooth are aligned properly before tightening the Tooth hardware. Ensure that the Spacer Stays in position at the Locknut end of the Tooth.
4. Insert a new Tooth into the Mount and hold it up into position in the Mount as you secure with a new Locknut. Torque the Locknut to 20 ft. lbs.
 5. Repeat steps 2 through 4 for the remaining Teeth as needed.

! CAUTION

- Check wear of the Head Assembly each time the Teeth are replaced. Replace the Head Assembly if it is damaged or worn. Ensure that all parts are secure and tight. Large Allen Head Bolts should be at 180 ft. lbs. torque.
- Be sure to use the new Locknuts provided with the replacement teeth.
- Failure to replace the Head Assembly when damaged or worn may result in Cutting Teeth coming loose and damaging the machine.
- The Locknuts should be snug, but do not over tighten.

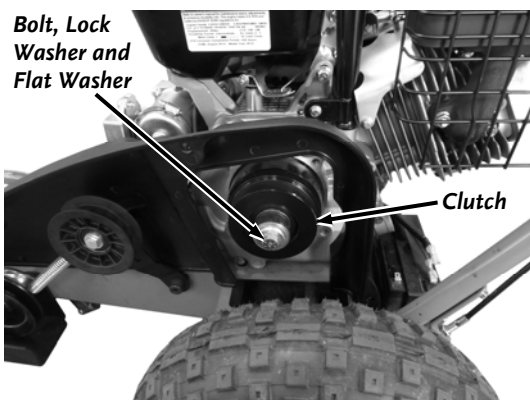


Figure 51

Replacing the Clutch

Tools and Supplies needed:

- 1/2" Wrench (Premier)
- 5/8" Wrench (Pro and Pro-XL)
- Never Seize type Grease
- Dead Blow Hammer

1. Remove the outer Belt Guard and Belt as described in "Replacing the Belt" on page 18.
2. Place a 1/2" Wrench (Premier) or 5/8" Wrench (Pro and Pro-XL) onto the Clutch Bolt and rotate the Wrench counterclockwise until you feel some resistance (**Figure 51**).

3. Hit the Wrench sharply with a Dead Blow Hammer to start the Bolt turning on the Engine Shaft.
4. Remove the Bolt, Lock Washer (Premier), Flat Washer, Spacer (Pro and Pro-XL), Clutch and Key from the Engine Shaft.

Note: The Pro and Pro-XL have a second Spacer on the inside of the Clutch. This Spacer will stay on the Shaft.

5. Apply a never seize type grease to the Engine Shaft and install the new Clutch and Key. Install the Spacer (Pro and Pro-XL) and secure with the hardware using a 1/2" Wrench (Premier) or 5/8" Wrench (Pro-Pro-XL).

Lubricate Cables

Supplies needed:

- SAE 30 Oil
1. Lubricate the upper ends of the Throttle and Brake Cables with SAE 30 Oil where the cable goes into the sheathing.
 2. Work the Cable Levers to work the Oil in between the Cable and Sheathing.

Adjusting the Handlebars

Supplies needed:

- Two 9/16" Wrenches
- 1/2" Wrench

1. Remove the left Wheel as described in the "Replacing the Wheels" section.

Note: The Brake Lever can be locked to aid in loosening the Hardware in the next step, but must be unlocked to remove the Brake Drum.

2. Remove the four Bolts, Lock Washers and Flat Washers from the Brake Drum with a 1/2" Wrench and pull the Drum from the Axle (**Figure 52**).
3. Remove the bottom Bolt, Flat Washers and Locknuts from both Handlebars with two 9/16" Wrenches and just loosen the upper Hardware (**Figure 53**).
4. Rotate the Handlebars forward to adjust them higher or back to make them lower and align with the holes in the Frame.
5. Reinstall the bottom Bolt, Flat Washers and Locknuts into both Handlebars and tighten all Handlebar Hardware with two 9/16" Wrenches.
6. Reinstall the Brake Drum and Wheel on the left side of the machine.

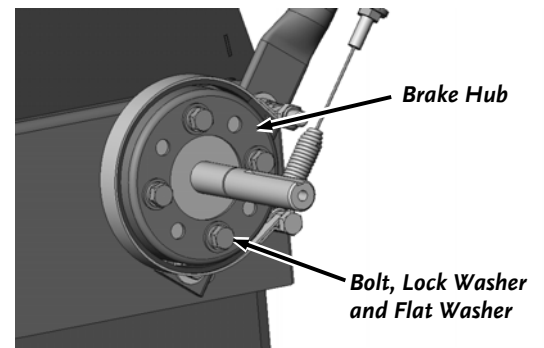


Figure 52

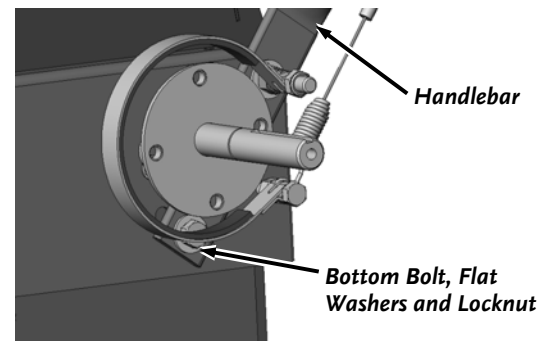


Figure 53

NOTICE

When the Handlebars are adjusted to the highest setting, you should change the position of the Exhaust Deflector so it is oriented 45° downward to the left so it is not pointing directly at the Handlebar. The paint may be damaged if the Deflector is not rotated.

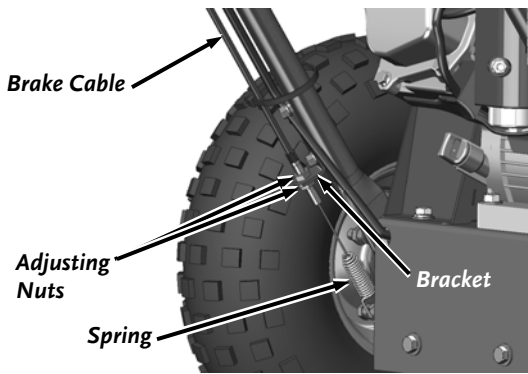


Figure 54

Adjusting the Brake

Tools and supplies needed:

- 1/2" Wrench
- Blocking Material

NOTE: You must block the machine up so the left-side Wheel is just off the ground and can rotate freely to perform the following steps.

Tightening the Brake Cable (if the Brake does not hold the Wheel in place)

1. Loosen the lower nut a few turns so it moves away from the Bracket (**Figure 54**).
2. As you rotate the Wheel forward (with Wheel Lever unlocked), tighten the upper Nut until you feel a slight resistance at the Wheel.
3. Tighten the lower Nut up against the Bracket.
4. Lower the Stump Grinder to the ground and test the Brake and pivoting (side to side) action.
5. If the left-side Wheel rotates forward while the Brake Lever is locked, the Cable needs more tightening. Repeat steps above as needed.

NOTE: When the Cable is adjusted correctly and the Brake Lever is locked, the left-side Wheel will still rotate in reverse (towards the operator) with some effort, but should not rotate forward.

Loosening the Brake Cable (if the Brake does hold the Wheel in place, but pushing the machine with the Brake off is difficult)

1. As you rotate the Wheel forward (with Wheel Lever unlocked), loosen the upper Nut until the Wheel turns more freely but you still feel a slight resistance at the Wheel (**Figure 46**).
2. Tighten the lower Nut up against the Bracket.
3. Lower the Stump Grinder to the ground and test the Brake and pivoting (side to side) action.
4. If the left-side Wheel holds when the Brake is applied, but the machine is hard to push ahead when the Brake is released, the Cable needs more loosening. Repeat steps above as needed.

Battery Care (For Electric-Starting Models Only)

Proper care can extend the life of a Battery. Follow these recommendations to ensure your Battery's best performance and long life:

- Do not allow the Battery charge to get too low. If the machine is not used, charge the Battery every 4 – 6 weeks. Operate the engine for at least 45 minutes to maintain proper Battery charge.
- Store an unused Battery in a dry environment with temperatures between +40°F (+5°C) and +95°F (+35°C). Make sure the storage temperatures will never be outside of these limits. The lower the storage temperature is within the specified temperature, the better as the battery will discharge more slowly at low temperatures.
- Do not charge an already charged Battery. In theory, you cannot overcharge our Battery with a trickle charger; however, when a Battery is fully charged and the charger is still on, it generates heat that could be harmful to the Battery. A fully charged Battery will read 12V-13.2V with a voltmeter.
- Do not continue to crank your Engine when the Battery charge is low.

Charging the Battery

NOTICE

When you are finished charging the battery, disconnect the charger from the outlet first, then disconnect the battery charger wires from the battery. If you leave the battery charger wires connected to the battery, the battery will discharge itself back into the charger.

Operate the Engine for at least 45 minutes to maintain proper Battery charge. If the Battery loses its charge, you will need to use a trickle charger (like the DR Battery Charger) to recharge it. The Charger should have an output of 12 volts DC at no more than 2 amps.

- At 1 amp the Battery may need to be charged for as long as 48 hours.
- At 2 amps, the Battery may need to be charged for as long as 24 hours.

NOTE: *Using the Recoil Starter and then running the Engine will not recharge a dead or significantly discharged Battery.*

To connect a Battery Charger to your DR STUMP GRINDER, follow the steps listed below.

1. Attach the Black (-) alligator clipped wire from the Charger Adapter to the Negative (-) terminal of the Battery, then attach the Red (+) alligator clipped wire to the Positive (+) Battery terminal.
2. Plug the Charger into a standard wall outlet.
 - Typically, the Battery takes between 6 and 8 hours to fully charge. Do not leave the charger on the battery longer than 24 hours for a 2 amp charger, or 48 hours for a 1 amp charger as you could potentially damage the battery..
 - You can charge the Battery many times. The Battery lasts longer if you charge it before it is fully drained. Keep it fully charged and at room temperature when not using your DR STUMP GRINDER.
 - If the Battery does not hold its charge for very long under normal conditions or it simply won't hold a charge, then replace it. You can purchase replacement Batteries directly from us. To install your new Battery, follow the directions on the next page.

Replacing the Battery

Tools Needed:

- Two 7/16" Wrenches

1. Disconnect the Battery Terminals (**Figure 55**).
2. Remove the Bolts and Locknuts that secure the Battery Clamp using two 7/16" Wrenches.
3. Remove the Clamp and the dead Battery.
4. Install the new Battery.
5. Install the Battery Clamp and secure with the Bolts and Locknuts using two 7/16" Wrenches.
6. Attach the Battery Terminals. Black Wire to negative black Terminal and Red Wire to positive red Terminal.

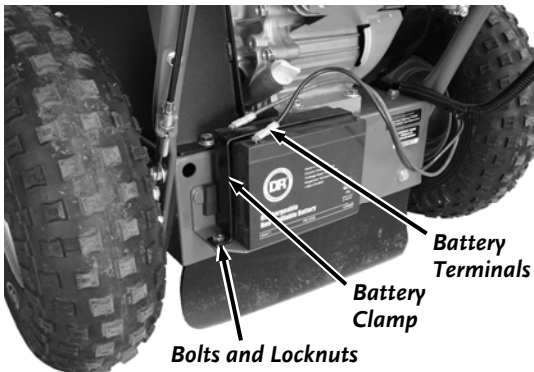


Figure 55

Disposing of the Battery Responsibly (Electric-Start Models)

The Battery is a sealed lead-acid Battery. Recycle or dispose of it in an environmentally sound way.

- Do not dispose of a lead-acid Battery in a fire; the Battery may explode or leak.
- Do not dispose of a lead-acid Battery in your regular, household trash. Law in most areas prohibits incinerating, disposing in a landfill, or mixing a sealed lead-acid Battery with household trash.

Recycling a Used Battery

Please dispose of your used Batteries responsibly by recycling them. Call your local Solid Waste Management District or your local waste handler to locate the collection site nearest you. Some collection sites recycle Batteries year-round; others collect them periodically.

You can also visit the Web site of Earth 911 for more information [www.earth911.org].

For a fee, you can recycle your Batteries with the International Metals Reclamation Company. Visit them at www.inmetco.com and click Services; or contact them at:

INMETCO
One INMETCO Drive
Ellwood City, PA 16117
(724) 758-2800; fax (724) 758-2845

To learn more about hazardous waste recycling, visit the Web site for Battery Council International [www.batterycouncil.org] or for the Environmental Protection Agency [www.epa.gov].

Chapter 5: Troubleshooting

Most problems are easy to fix. Consult the Troubleshooting Table below for common problems and their solutions. If you continue to experience problems, contact us at www.DRpower.com or call toll-free 1-800-DR-OWNER (376-9637) for support.

WARNING

Set the Wheel Brake, shut down the engine, remove the spark plug wire and wait 5 minutes before performing any maintenance procedure or inspection on the Stump Grinder.

Troubleshooting Table

SYMPTOM	POSSIBLE CAUSE
<i>Recoil will not pull out or is difficult to pull.</i>	<ul style="list-style-type: none"> ⇒ There may be an oil compression lock in the cylinder. Take out the Spark Plug; hold a rag over the Spark Plug hole and pull the Recoil Cord several times to blow out any oil in the Cylinder. Wipe off the Spark Plug and reinstall it. ⇒ Check the Engine oil level; the Engine may be seized. ⇒ The Recoil may be broken or jammed. Visit our website at www.DRpower.com.
<p><i>The Engine will not start.</i></p> <p><i>(Please refer to the Engine Owner's Manual for Engine-specific procedures.)</i></p>	<ul style="list-style-type: none"> ⇒ Make sure the Operator Presence Lever is held down and that the Ignition Switch is in the RUN position (Manual Start), or the Key is inserted into the Key switch and rotated to the right (Electric Start). ⇒ Check the oil and gas level. ⇒ Make sure that the Fuel Shut-Off is in the ON position. ⇒ Check that the Spark Plug Wire is attached. ⇒ The Air Filter may be dirty; change it following the procedure in the Engine Owner's Manual. ⇒ The gas may be old; change it if necessary. Use a fuel stabilizer if you keep gas longer than one month. ⇒ Check the Throttle and Choke settings, adjustment and travel. ⇒ The Spark Plug may be dirty or cracked; change it if necessary. If it's oily, leave it out, hold a rag over the Plug Hole and pull the Recoil Cord several times to blow out any oil in the Cylinder, then wipe off the Plug and reinsert it. ⇒ Check the wire connections—especially the ground connections to the Engine and the Starter connections. Check to be sure that all of the connections are clean and tight. ⇒ The Battery may not be charged. Check the voltage yourself or at a Service Station. If it is low, charge it with a 12-volt, 1 to 2 amp trickle Charger. If you do not use your machine for at least 45 minutes at a time, the Battery may need to be periodically charged. See the "Battery Care" section in Chapter 4. ⇒ If your Engine still won't start, visit our website at www.DRpower.com.
<p><i>The Engine lacks power or is not running smoothly.</i></p> <p><i>(Please refer to the Engine Owner's Manual for engine-specific procedures.)</i></p>	<ul style="list-style-type: none"> ⇒ Make sure the Choke Lever is all the way off. ⇒ The Air Filter may be dirty; change it following the procedure in the Engine Owner's Manual. ⇒ The Spark Plug may be dirty or cracked; change it if necessary. ⇒ The gas may be old; change it if necessary. Use a fuel stabilizer if you keep gas longer than one month. ⇒ The Engine oil may be dirty. Change it if necessary. ⇒ Check that the Cooling Fins are clean and free of debris. Clean as needed. ⇒ If your Engine still lacks power, visit our website at www.DRpower.com.

Troubleshooting Table (Continued)

WARNING

Set the Wheel Brake, shut down the engine, remove the spark plug wire and wait 5 minutes before performing any maintenance procedure or inspection on the Stump Grinder.

SYMPTOM	POSSIBLE CAUSE
<i>Engine smokes.</i>	<ul style="list-style-type: none"> ⇒ Check the oil level and adjust as needed. ⇒ Clean the Engine cooling fins and the carburetor housing if they are dirty. ⇒ The Air Filter may be dirty; change it following the procedure in the Engine Owner's Manual. ⇒ You may be using the wrong oil. Refer to your Engine Owner's Manual for detailed information. ⇒ If the Engine still smokes, visit our website at www.DRpower.com.
<i>The Engine runs well but the Cutting Head won't move.</i>	<ul style="list-style-type: none"> ⇒ The Throttle should be fully pressed to engage Clutch. ⇒ The Cutter Head Drive Belt is off the pulleys or broken. Reinstall or change Belt (refer to "Chapter 4: Maintaining the DR Stump Grinder"). ⇒ Confirm there is nothing wedged/ wrapped around cutter head, or Pulleys. ⇒ Confirm the throttle is moving on the engine. ⇒ Confirm that Belt has not stretched to a point that it is slipping off the Pulleys. ⇒ Clutch is not working. Change Clutch (refer to "Chapter 4: Maintaining the DR Stump Grinder").
<i>The Engine does not fully return to low idle when the throttle is released.</i>	<ul style="list-style-type: none"> ⇒ Throttle linkage is sticking. Adjust throttle linkage (refer to "Chapter 4: Maintaining the DR Stump Grinder")
<i>The Cutting Head is rotating but the cutting action is extremely slow and the stump is showing signs of excessive heat.</i>	<ul style="list-style-type: none"> ⇒ The teeth are dull or damaged. Replace Teeth (refer to "Chapter 4: Maintaining the DR Stump Grinder").
<i>Belt falls off Pulleys frequently.</i>	<ul style="list-style-type: none"> ⇒ Check Pulleys and Belt for damage. ⇒ Check tightness of Idler Arm Pivot Bolt.
<i>Left-side Wheel turns forward when Brake Lever is locked or machine is difficult to push when Brake Lever is released.</i>	<ul style="list-style-type: none"> ⇒ Brake Cable needs adjusting. Adjust Cable as needed (refer to "Chapter 4: Maintaining the DR Stump Grinder").

Chapter 6: Parts Lists and Schematic Diagrams

Parts List - HANDLEBAR ASSEMBLY

Note: Part numbers listed are available through DR Power Equipment.

<u>Ref#</u>	<u>Part#</u>	<u>Description</u>	<u>Ref#</u>	<u>Part#</u>	<u>Description</u>
1	11238	Washer, Flat, 1/4"	22	26480	Throttle
2	11158	Bolt, HCS, 5/16-18 X 1, ZP	23	16496	Grip, 1.00"
3	11076	Nut, Nylon Lock, 5/16-18, ZP	24	15131	Plug, Hour Meter Hole, 2" X 1-1/4"
4	35247	Frame, W/Labels	25	10000030323	Label, Control Panel, Premier, Front
5	26476	Guard, Debris, STG		10000030276	Label, Control Panel, PRO, Front
6	11163	Screw, #10 x 1-1/2", type A		10000030313	Label, Control Panel, PRO-XL, Front
7	17912	Screw, 1/4-20 X .500, Tri-Lobe	26	25709	Label, Safety Icons
8	15712	Bolt, HCS, 3/8-16 X 2-1/4, GR5, ZP	27	26488	Label, Head Rotation
9	15043	Bolt, HHCS, 3/8-16 X 1-1/4, GR5	28	11308	Switch, Key B805 W/Hardware
10	13443	Bolt, HCS, 5/16-18 X 1-1/2, GR5, ZP	29	23545	Label, CHP Address, 2.75x.75
11	11241	Washer, Flat, 5/16", USS, ZP	<u>Not Illustrated</u>		
12	11075	Nut, Nylon Lock, 3/8-16, ZP		35454	Wire Harness, Stump Grinder OPC (B&S Premier)
13	11214	Cable Tie, 7-1/2"L		37820	Wiring Harness, Stump Grinder (B&S Pro and Pro-XL)
14	24729	Handlebar, Left		39689	Wire Harness, DR, M/S
15	24730	Handlebar, Right		39688	Wire Harness, DR, E/S
16	35948	Cross Member, Handlebar	Optional Maintenance Meter Kit:		
17	26479	Bracket, Brake Cable		17929	Plug, Control Panel, With Cutout
18	16518	Lever, Brake w/lock		21720	Meter, Hour/RPM/Maintenance
19	18069	Lever, Op Presence w/wire			
20	16495	Grip, Ergonomic, 1"			
21	26478	Cable, Brake			

Parts List – DRIVE ASSEMBLY

Note: Part numbers listed are available through DR Power Equipment.

Ref#	Part#	Description	Ref#	Part#	Description
1	11243	Washer, Lock, Split, 5/16"	30	34140	Label, Dr Logo Silver, 4", 4 color
2	27901	Washer, Flat, .385" X 1.25" X .25", ZP	31	27164	Washer, .47" ID, 1.25" OD, .15"T
3	17882	Bolt, HCS, 5/16-24 X 1", GR2 ZP		27901	Washer, Flat, .385" X 1.25" X .25", ZP (Premier)
4	11158	Bolt, HCS, 5/16-18 X 1", ZP	32	22911	Bolt, Hhcs, 7/16-20 X 1", Gr 8, Locking Patch (Pro and Pro-XL)
5	11076	Nut, Nylon Lock, 5/16-18, ZP		17882	Bolt, HCS, 5/16-24 x 1" (Premier)
6	35087	Bolt, HCS, 5/16-18 X .75", GR 5, ZP	33	38961	Clutch, Centrifugal, 1" Bore (Pro and Pro-XL)
7	33332	Nut, Nylon Lock, Flanged, 5/16-18		26521	Clutch, Centrifugal, 3/4" Bore (Premier)
8	35080	Cover, Belt, Inner	34	38963	Belt, Stump Grinder (Pro and Pro-XL)
9	35248	Cover, Belt, Outer, W/Labels		26468	Belt, Stump Grinder (Premier)
10	13443	Bolt, HCS, 5/16-18 X 1-1/2", GR5, ZP	35	38962	Spacer, Clutch (Pro and Pro-XL)
11	11241	Washer, Flat, 5/16" USS, ZP	36	12334	Bolt, HHCS, 3/8-16 x 1.75", GR 5, ZP (Pro and Pro-XL)
12	11075	Nut, Nylon Lock, 3/8-16, ZP		13443	Bolt, 5/16-18 x 1-1/2" (Premier)
13	16413	Nut, Nylon Lock, 3/8-16, Lowpro	37	39197	Engine w/Labels, DR 11.1GTQ, M/S
14	11069	Nut, Hex, 5/16-18, GR2, ZP		39199	Engine w/Labels, DR 15.3GTQ, M/S
15	26483	Ring, Retaining, 1" Shaft		39201	Engine w/Labels, DR 15.3GTQ, E/S
16	14229	Key, Square, 1/4" x 1-1/4"		39203	Engine w/Labels, DR 19.6GTQ, E/S
17	30409	Bolt, Pocket		35064	Engine, B&S, 9.5 GTQ, M/S, w/Labels, Premier
18	30407	Spacer, Tooth		35066	Engine, B&S, 14.5 GTQ, M/S, w/Labels, Pro
19	26474	Guard, Pulley		35068	Engine, B&S, 14.5 GTQ, E/S, w/Labels, Pro
20	25802	Bearing, Stamped Flange, 1" Bore		35070	Engine, B&S, 16.5 GTQ, E/S, w/Labels, Pro XL
21	29417	Cutter Head, Dual Straight Green Teeth	38	11238	Washer, Flat, 1/4"
22	26565	Pulley, 5" Dia., A/B Profile (Pro & Pro XL)	39	12321	Bolt, HCS, 5/16-18 x 3/4"
	26472	Pulley, 4.5" Dia, (Premier)	40	14229	Key Square 1/4" x 1-1/4" (Pro and Pro-XL)
23	30406	Tooth		24677	Key, Square, 3/16" x 1" (Premier)
24	30408	Pocket, Straight	41	12969	Shim, .75"ID X 1.125"OD .06L, ZP
25	26535	Bolt, Shoulder, 1/2" X .75"L			
26	12686	Bolt, HCS, 3/8-16 x 2", GR5 ZP			
27	35072	Arm, Idler Pulley			
28	35271	Pulley, Flat, Idler, 3.12" X .75" X .375" With 3/8" Shoulder Adapter			
29	33424	Spring, Idler			

Not Illustrated

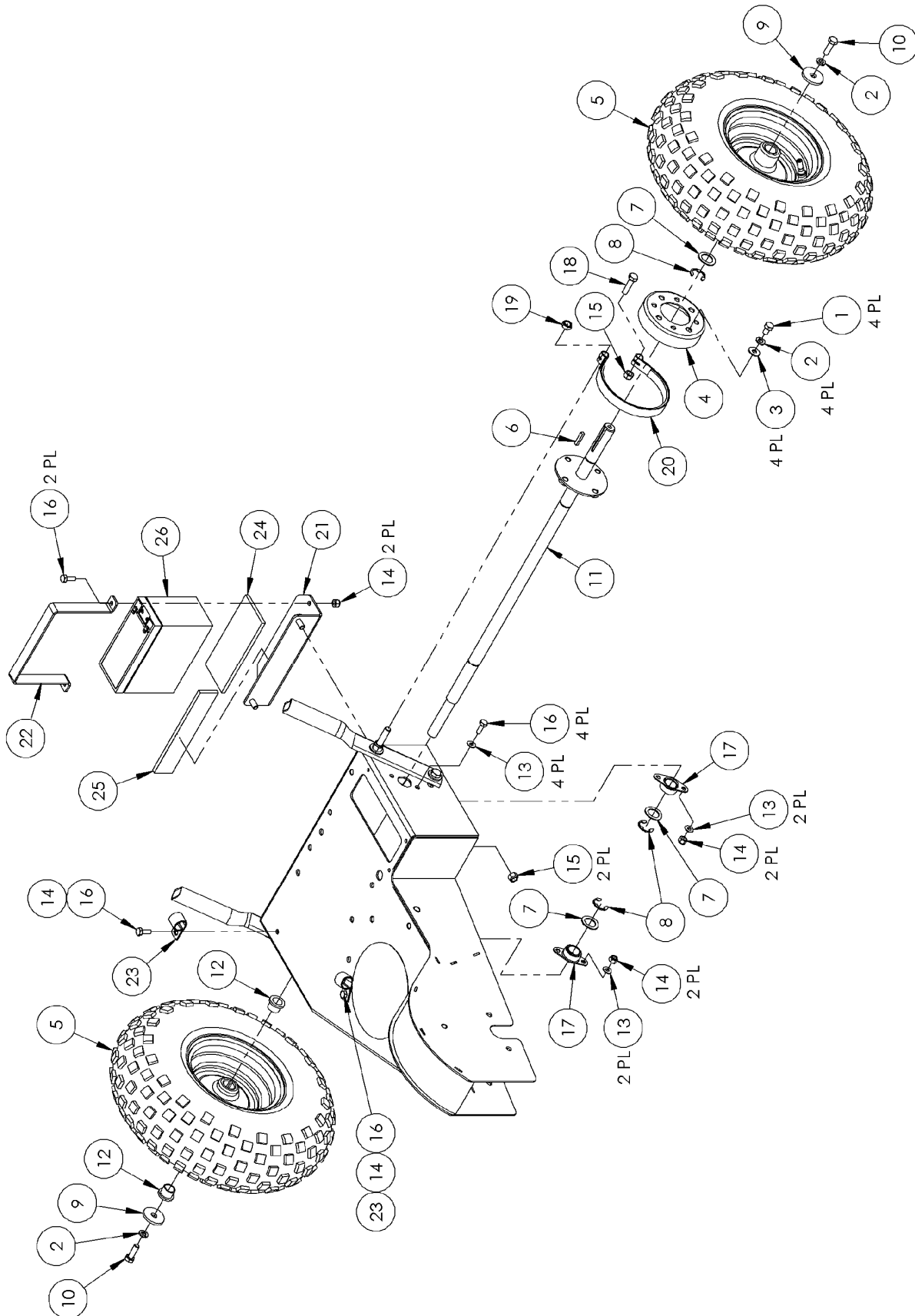
30505	Tooth Kit
13683	Label, Hot Surface (DR Engines)
18887	Label, Hot Surface (B&S Engines)
13758	Label, Warning, Check Oil
24677	Key, Square, 3/16" x 1" (Premier)

Parts List – AXLE ASSEMBLY

Note: Part numbers listed are available through DR Power Equipment.

<u>Ref#</u>	<u>Part#</u>	<u>Description</u>	<u>Ref#</u>	<u>Part#</u>	<u>Description</u>
1	19336	Bolt, HCS, 5/16-18 X 1"	14	11073	Nut, Nylon Lock, 1/4-20, ZP
2	11243	Washer, Lock, Split, 5/16"	15	11076	Nut, Nylon Lock, 5/16-18, ZP
3	11238	Washer, Flat, 1/4"	16	11983	Bolt, HCS, 1/4-20 X 3/4", GR2, ZP
4	26486	Brake Drum, 4.125" OD	17	26477	Bushing, Flange, .75"ID
5	24744	Wheel, 14.5 x 7-6, 2 Ply, Gray	18	12336	Bolt, HHCS, 5/16-18 X 1.25", GR.5, ZP
6	24677	Key, Sq, 3/16" X 1"	19	16413	Nut, Nylon Lock, 3/8-16, Lowpro
7	12969	Shim, .75"ID X 1.125"OD .06L, ZP	20	26473	Brake Band
8	11126	Ring, Retaining, 3/4", E	21	25862	Bracket, Battery
9	27901	Washer, Flat, .385" X 1.25" X .25", ZP	22	24230	Strap, Battery, 9ah
10	17882	Bolt, HCS, 5/16-24 x 1", GR2 ZP	23	28320	Tube Clamp, 7/16", Vinyl Coated
11	26564	Axle	24	28697	Pad, Battery, 2.5" X 6.125"
12	26469	Bushing, Bronze, .75"OD, .63"ID	25	14386	Battery Pad
13	11237	Washer, Flat, 10-24 USS	26	13447	Battery, 12v, 9ah

Parts Schematic – AXLE ASSEMBLY



Notes:

DR® STUMP GRINDER



2-Year Limited Warranty

Terms and Conditions

The DR® STUMP GRINDER is warranted for two (2) years against defects in materials or workmanship when put to ordinary and normal consumer use; ninety (90) days for any other use.

For the purposes of all the above warranties, “ordinary and normal consumer use” refers to non-commercial residential use and does not include misuse, accidents or damage due to inadequate maintenance.

DR Power Equipment certifies that the DR® STUMP GRINDER is fit for ordinary purposes for which a product of this type is used. DR Power Equipment however, limits the implied warranties of merchantability and fitness in duration to a period of two (2) years in consumer use, ninety (90) days for any other use.

The 2-Year Limited Warranty on the DR® STUMP GRINDER starts on the date the machine ships from our factory. The 2-Year Limited Warranty is applicable only to the original owner.

The warranty holder is responsible for the performance of the required maintenance as defined by the manufacturer's owner's manuals. The warranty holder is responsible for replacement of normally wearing parts such as the Drive Belt, Air Filter, Spark Plug, Cutting Teeth and Wheels. Accessories to the machine are not covered by this warranty.

During the warranty period, the warranty holder is responsible for the machine transportation charges, if required. During the warranty period, warranty parts will be shipped by standard method at no charge to the warranty holder. Expedited shipping of warranty parts is the responsibility of the warranty holder.

SOME STATES DO NOT ALLOW LIMITATIONS ON THE LENGTH OF IMPLIED WARRANTIES, SO THE ABOVE LIMITATIONS MAY NOT APPLY TO YOU.

DR Power Equipment shall not be liable under any circumstances for any **incidental or consequential damages or expenses** of any kind, including, but not limited to, cost of equipment rentals, loss of profit, or cost of hiring services to perform tasks normally performed by the DR® STUMP GRINDER.

SOME STATES DO NOT ALLOW THE EXCLUSION OR LIMITATION OF INCIDENTAL OR CONSEQUENTIAL DAMAGES, SO THE ABOVE LIMITATIONS MAY NOT APPLY TO YOU.

THIS WARRANTY GIVES YOU SPECIFIC LEGAL RIGHTS, AND YOU ALSO HAVE OTHER RIGHTS, WHICH VARY FROM STATE TO STATE.

Daily Checklist for the DR STUMP GRINDER

To help maintain your DR STUMP GRINDER for optimum performance, we recommend you follow this checklist each time you use your Stump Grinder.

WARNING

Before performing any maintenance procedure or inspection, stop the engine, wait five (5) minutes to allow all parts to cool. Disconnect the spark plug wire, keeping it away from the spark plug.

- [] Check the engine oil and Gas Tank level.
- [] Check that Engine is clean of debris.
- [] Check the general condition of the Stump Grinder, e.g.; nuts, bolts, welds, etc.
- [] Check Belt for wear and/or stretching.
- [] Check Tire Pressure and wear.
- [] Check the Teeth for wear and damage.
- [] Check the Frame for wear and damage.
- [] Check the Debris Guard for wear and damage.
- [] Remove any debris wrapped around the Cutter Head for Bearing protection.

End of Season and Storage

WARNING

Before performing any maintenance procedure or inspection, stop the engine, wait five (5) minutes to allow all parts to cool. Disconnect the spark plug wire, keeping it away from the spark plug.

- Change the engine oil.
- Clean or replace the Air Filter.
- Check the teeth for wear and damage.
- Remove any debris wrapped around the Cutter Head
- If your DR STUMP GRINDER will be idle for more than 30 days, we recommend using a gas stabilizer. This will prevent sediment from gumming up the Carburetor. If there is dirt or moisture in the gas or tank, remove it by draining the tank. Completely fill the tank with fresh, unleaded gas and add the appropriate amount of stabilizer or gasoline additive. Run the Engine for a short time to allow the additive to circulate.
- Clean the exterior of the unit to remove all dirt, grease, and any other foreign material. To prevent rust, touch up painted surfaces that have been scratched or chipped.
- Be sure all nuts, bolts, and screws are securely fastened.
- Inspect moving parts and the Drive Belt for damage and wear; replace if necessary.
- Remove the Spark Plug(s) and pour about 1 ounce of motor oil into the Cylinder hole. Replace the Plug(s) and crank the Engine over a couple of times using the Pull Cord, or the Electric Starter (for Electric Start Machines). This will coat the piston and seat the valves to prevent moisture buildup.
- If possible, store the Stump Grinder in a dry, protected place. If it is necessary to store the Stump Grinder outside, cover it with a protective material (especially the Engine). For Electric Start Model, store the machine in a dry environment with temperatures between +40 degrees F (5C) and +95F (+35C). Make sure the storage temperatures will never be outside of these limits. The lower the storage temperature is within the specified temperature, the better as the battery will discharge more slowly at low temperatures. If it is necessary to store the Stump Grinder outside make sure to disconnect the battery and store it in an environment as listed above. Make sure the disconnected battery terminals are not resting on any surface that may be prone to collecting water, snow or any other liquid as this may cause damage to the terminals and to the battery when reconnected.



75 MEIGS ROAD, P.O. BOX 25, VERGENNES, VERMONT 05491