

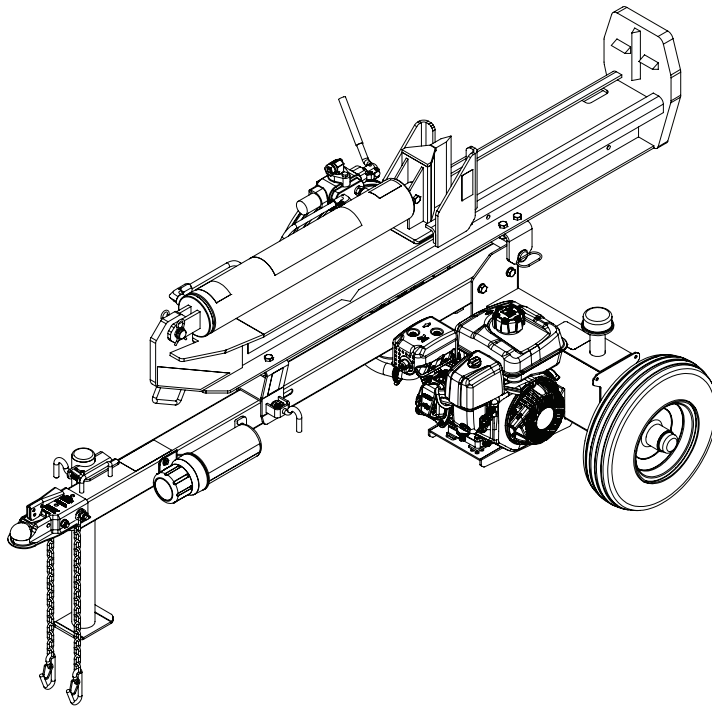


# OPS232

## 32-TON HORIZONTAL & VERTICAL HYDRAULIC LOG SPLITTER

POWERED BY KOHLER®

# USER MANUAL



### DK2 USA WEST

3311 MEADE AVENUE STE  
E DOCK 13, LAS VEGAS, NEVADA  
89102 USA

### DK2 CORPORATE HEAD OFFICE

5330 MAINWAY  
BURLINGTON, ONTARIO  
L7L6A4 CANADA

### DK2 USA EAST

3750 SOUTH AVENUE  
NORTH UNIT, TOLEDO, OHIO  
43615 USA

**NOTE:** If you find any damaged or missing parts please call **DK2 Customer Service** or contact us via our **website**. We will replace any damaged or missing parts to you for free. **Please do not return to the store.**

CUSTOMER SERVICE 1 (888) 277-6960 | [WWW.DK2.COM](http://WWW.DK2.COM)

# WARRANTY

---

**PLEASE DO NOT RETURN TO THE STORE**

**YOU HAVE A 1 YEAR WARRANTY AND DK2 WILL REPLACE A DEFECTIVE PART FOR FREE. CALL US AT 1 (888) 277-6960 FOR FAST WARRANTY PARTS AND QUESTIONS.**

## **WHAT IS COVERED – 2-YEAR ENGINE AND 1 YEAR COMMERCIAL WARRANTY INCLUDED**

Detail K2 Inc. warrants to the original purchaser that product will be free and clear of manufacturing defects in workmanship and materials under normal use and service for a period of one (1) year from the date of the original purchase. If within one (1) year from the original date of purchase this product fails due to defect in material or workmanship, Detail K2 will repair, replace, or supply any covered defective part at our option. DK2 POWER is 1-year parts only warranty no labor. KOHLER® 2-year warranty is PARTS and LABOR.

Upon expiry of one (1) year, Detail K2 will have no further liability related to the product. Detail K2 does not authorize any party, including its authorized distributors or dealers, to offer any other warranty on behalf of Detail K2 Inc.

## **SERIAL NUMBERS MUST BE REGISTERED ONLINE AT [WWW.DK2POWER.COM](http://WWW.DK2POWER.COM), WARRANTY NON-TRANSFERABLE.**

KOHLER® ENGINES –KOHLER® CH SERIES ENGINES COMMERCIAL 3 YR PARTS AND LABOR WARRANTY

KOHLER® ENGINES –KOHLER® SH SERIES ENGINES RESIDENTIAL 2 YR PARTS AND LABOR WARRANTY

See your KOHLER® manual for specific warranty.

DK2–1-Year parts only, no labor. 2-year KOHLER® warranty.

## **THIS WARRANTY DOES NOT COVER OR APPLY TO:**

- (a) Damage to the product due to misuse, mishandling and abuse
- (b) Improper installation, maintenance and storage
- (c) Expendable parts such as nuts and bolts, pins and springs, wiring and switch components, hydraulic hoses and fittings, cutting teeth, cutting chains, cutting blades, throttles, belts and tires.
- (d) Normal wear and tear
- (e) Consequential damage & incidental damages such as damage to persons or property

## **PROCEDURE FOR OUTDOOR POWER EQUIPMENT WARRANTY**

Within the one (1) year warranty period, the purchaser of the product can CALL **1 (888) 277-6960** or contact us on **[www.dk2.com](http://www.dk2.com)**. Notify us of the claimed defect and provide proof of original purchase. At this time the validity of the claim will be determined, and if approved replacement parts will be issued. No returned product will be accepted under warranty unless accompanied by an RGA# issued by Detail K2 Inc.

## **DAMAGED FREIGHT**

Damage to your product caused by freight mishandling is NOT covered under warranty. If your freight arrives damaged, REFUSE it. **Inspect your product when it arrives**, otherwise if you accept it, you will be responsible for filing any freight claims with the delivery company. DK2 warranty excludes damage to product.

## **RETURNS BEFORE GAS AND OIL**

Follow the return policy from the retailer you purchased the equipment from.

## **RESOLUTION FOR A DEFECTIVE PRODUCT AFTER GAS AND OIL HAS BEEN ADDED.**

Call us at 1 (888) 277-6960 between 8am-4pm Monday to Friday EST.

# TABLE OF CONTENTS

---

WARRANTY .....	2
TABLE OF CONTENTS .....	3
TECHNICAL SPECIFICATIONS.....	4
<b>SECTION I • SAFETY .....</b>	<b>5</b>
SAFETY CONVENTIONS .....	6
IMPORTANT SAFETY INFORMATION.....	6
SAFETY DECALS .....	7
<b>SECTION II • ASSEMBLY .....</b>	<b>12</b>
ASSEMBLY OVERVIEW .....	13
HARDWARE KIT .....	15
LOG CATCHER KIT.....	16
STEP 1: TANK AND ENGINE .....	17
STEP 2: WHEELS .....	18
STEP 3: TONGUE.....	19
STEP 4: BEAM BRACKET .....	20
STEP 5: BEAM.....	21
STEP 6: HYDRAULIC LINE .....	22
STEP 7: LOG CATCHER.....	23
STEP 8: FINAL INSTALLATION CHECK .....	23
<b>SECTION III • OPERATION.....</b>	<b>24</b>
OPERATING INSTRUCTIONS.....	25
<b>SECTION IV • PARTS &amp; SCHEMATICS .....</b>	<b>28</b>
SCHEMATICS: TANK .....	29
SCHEMATICS: BEAM.....	30
SCHEMATICS: TONGUE .....	31
SCHEMATICS: COMPLETE DIAGRAM .....	32
SCHEMATICS: COMPLETE PARTS LIST .....	34

# TECHNICAL SPECIFICATIONS

<b>MODEL NUMBER</b>	<b>OPS232 (32-TON)</b>
<b>ENGINE</b>	KOHLER® SH265 6.5 HP 196cc
<b>MAXIMUM LOG LENGTH</b>	25" (63.5cm)
<b>CYCLE TIME</b>	13 seconds
<b>CYLINDER</b>	Ø4.5" (11.4cm) x 24" (61cm) stroke
<b>PUMP, TWO-STAGE</b>	15 GPM (56.8 LPM)
<b>WEDGE, HEAT-TREATED STEEL</b>	8.5" (21.6cm) high
<b>BEAM</b>	8.5" (21.6cm) foot plate
<b>HYDRAULIC CAPACITY</b>	8.5 gallons (32.2 litres) max
<b>ASSEMBLED DIMENSIONS</b>	89.4" (L) x 51.2" (W) x 37.4" (H) 227cm (L) x 130cm (W) x 95cm (H)
<b>ASSEMBLED WEIGHT</b>	529.1lb (240kg)
<b>SHIPPING DIMENSIONS</b>	70.9" (L) x 31.5" (W) x 19.7" (H) 180cm (L) x 80cm (W) x 50cm (H)
<b>SHIPPING WEIGHT</b>	573.2lb (260kg)
<b>VALVE</b>	Auto return with adjustable detent
<b>WHEELS</b>	D.O.T. approved 16" (40.6cm) O.D. road tires (Not highway towable and 25mph (40km/h) maximum)
<b>COUPLER</b>	2" (5.08cm) ball with safety chains

# **SECTION I • SAFETY**

# SAFETY CONVENTIONS



**DANGER:** This indicates a hazardous situation, which, if not avoided, will result in death or serious injury.



**WARNING:** This indicates a hazardous situation, which, if not avoided, could result in death or serious injury.



**CAUTION:** This indicates a hazardous situation, which, if not avoided, may cause minor or moderate injury.

## ADDITIONAL INFORMATION AND POTENTIAL CHANGES

We reserve the right to discontinue, change, and improve our products at any time without notice or obligation to the purchaser. The descriptions and specifications contained in this manual were in effect at printing. Equipment described within this manual may be optional. Some illustrations may not be applicable to your machine.

## IMPORTANT SAFETY INFORMATION



**WARNING:** Read and understand the complete User Manual before assembling or using this product. Failure to comprehend and comply with warnings, cautions and instructions for assembly and operation could result in serious injury or death.



**WARNING:** Do not permit children to operate this equipment at any time. Do not permit others that have not read and understood the complete User Manual to operate this equipment. Operation of power equipment can be dangerous. It is the sole responsibility of the operator to understand the assembly and safe operation of this product.



### **DANGER: INTENDED USE**

Do not use this machine for any purpose other than splitting wood, for which it was designed. Any other use is unauthorized and may result in serious injury or death.



### **DANGER: PERSONAL PROTECTIVE EQUIPMENT**




When operating this machine, it is essential that you wear safety gear including goggles or safety glasses, steel-toed shoes and tight-fitting gloves (no loose cuffs or draw strings). Always wear ear plugs or sound-deafening headphones to protect against hearing loss when operating this log splitter.




**CAUTION:** Do not wear loose clothing or jewelry that can be caught by moving parts of the machine. Keep clothing and hair away from all moving parts of the machine.

# SAFETY DECALS

Make sure all safety warning decals are attached and in readable condition. Please call DK2 at **1 (888) 277-6960** if you need help replacing missing or defaced safety decals.



**WARNING**

To minimize the risk to you or others of serious injury or death:

- Read and understand the owner's manual and engine manual before assembling, operating, towing, or servicing the log splitter.
- Only one person should operate and load logs onto the log splitter. Stay in the manufacturer's designated operator zone.
- All pets and bystanders should keep away.
- Always wear ANSI approved, eye, hearing, foot, and hand protection while operating the log splitter.
- Never step or reach over the log splitter during operation.
- Ensure that body, limbs, and clothing are away from moving parts while operating the log splitter.
- Always grab logs by the sides when loading.
- Always operate the log splitter outdoors.
- Never use your hands to check for high pressure oil leaks.
- Never operate if tired or under the influence of alcohol or drugs.

**OPERATING INSTRUCTIONS**

1. Ensure that the log splitter is on a stable, flat surface.
2. Start the engine and advance throttle to the maximum.
3. Position log onto the beam up against the foot plate.  
Note: Always split wood in the direction of the grain.
4. Move the control handle toward the foot plate to **EXTEND** the wedge or move the control handle away from the foot plate to **RETRACT** the wedge.

**CONTROL VALVE OPERATION**

**RETRACT**

**EXTEND**

**WARNING Avertissement**

(EN) EQUIPMENT OPERATION SHALL ONLY BE PERFORMED IN THE DESIGNATED OPERATOR ZONE BY ONE PERSON. (FR) LE FONCTIONNEMENT DE L'EQUIPEMENT DOIT ÊTRE EFFECTUÉ UNIQUEMENT PAR UNE PERSONNE DANS LA ZONE DE L'OPÉRATEUR DÉSIGNÉE



HORIZONTAL OPERATION  
POSITION HORIZONTALE




VERTICAL OPERATION  
POSITION VERTICALE

OPERATOR ZONE  
ZONE DE L'OPÉRATEUR

**DANGER**

(EN) PINCH POINT HAZARD  
KEEP CLEAR DURING OPERATION  
(FR) RISQUE DE PINCEMENT  
RESTER À L'ÉCART PENDANT LE  
FONCTIONNEMENT



**ATTENTION**

(EN) FILL WITH AW46 HYDRAULIC FLUID, START ENGINE, CYCLE CYLINDER 3 - 4 TIMES, STOP ENGINE AND REFLID BEFORE OPERATION. (FR) REMPLIR AVEC LIQUIDE HYDRAULIQUE AW46 DEMARRAGE MOTEUR, CYCLE CYLINDRE 3 - 4 FOIS, ARRÊTER LE MOTEUR ET REMPLIR AVANT UTILISATION.

**WARNING Avertissement**

**TO AVOID SERIOUS INJURY OR DEATH  
POUR ÉVITER DES GRAVES BLESSURE OU MORT**

(EN) Read the Operation Manual on how to attach the coupler to the hitch ball and how to tow safely. - Ensure the correct ball size is being used. - Do not exceed hitch ball or coupler load limits. - Attach and secure safety chains prior to towing. - Do not exceed max towing speed of 25mph (40km/h). - Avoid sharp turns and steep angles. - Check tightness of coupler before towing. - Replace hitch ball or coupler if damaged. (FR) Lisez le manuel d'utilisation pour savoir comment attachez le coupleur à la boule d'attelage et comment remorquer en toute sécurité. - Assurez-vous que la bonne taille de boule est utilisée. - Ne dépassez pas limite de charge de la boule d'attelage ou du coupleur (attache). - Fixez et sécurisez les chaînes de sécurité avant le remorquage. - Ne dépassez pas la vitesse de remorquage maximale de 25 mph (40km/h). - Évitez les virages serrés et les angles raides. - Vérifiez le serrage du coupleur avant le remorquage. - Remplacez la boule d'attelage ou le coupleur si ils sont endommagés.

**NOTICE / AVIS**

(EN) Tank oil level should always be kept between the "MAX" and "MIN" lines indicated on the dipstick. Never fill the reservoir above the "MAX" line. Maximum system capacity is 6.5 gallons, operational capacity is 5 gallons. Select oil viscosity based on the outside temperature at the time of operation in the table below. (FR) Le niveau d'huile du réservoir doit toujours être maintenu entre le "MAX" et les lignes « MIN » indiquées sur la jauge. Ne remplites jamais le réservoir au-dessus de la ligne "MAX". Capacité maximale du système est de 6,5 gallons, la capacité opérationnelle est de 5 gallons. Sélectionner la viscosité de l'huile en fonction de la température extérieure au moment de l'opération dans le tableau ci-dessous.

		AW-68					AW-46					AW-32					DEXRON VI									
		°F										°C														
°F		-20	0	10	20	32	40	50	60	80	100	°C		-30	-20	-10	0	10	20	30	40					
							AW-68					AW-46					AW-32					DEXRON VI				

**CAUTION / DANGER**

(EN) HOT SURFACE  
**DO NOT TOUCH**  
(FR) SURFACE CHAUDE  
**NE PAS TOUCHER**

v.220513 | 7

**DANGER: GENERAL SAFETY**

Failure to follow warnings, cautions, assembly and operation instructions in the User Manual may result in serious injury or death.

**DANGER: READ THE USER MANUAL BEFORE OPERATION**

- **Do not** permit children to operate this equipment at any time. Do not permit others that have not read and understood the complete User Manual to operate this equipment.
- Keep all people and pets a minimum of 10 feet away from the work area when operating this machine. Only the operator is to be near the machine during use.
- **Do not** operate the machine when under the influence of alcohol, drugs, or medication.
- **Do not** allow a person who is tired or otherwise impaired or not completely alert to operate this machine.

**DANGER: PREPARATION OF THE LOG**

Both ends of the log should be cut as square as possible to prevent the log from rotating out of the splitter during operation. Do not split logs greater than 25 inches in length.

**DANGER: WORK AREA**

- **Do not** operate the machine on icy, wet, muddy or otherwise slippery ground. **ONLY** operate your machine on level ground. **Operating on a slope could cause the machine to roll over or logs to fall off of the equipment, which could result in injury.**
- **Do not** operate the log splitter in an enclosed area. Exhaust fumes from the engine contain carbon monoxide which can be harmful or deadly when inhaled.
- **Do not** move the machine over hilly or uneven terrain without a tow vehicle or adequate help.
- Use a tire chock or block on wheels to prevent movement of the log splitter while in operation.
- Operate the log splitter in daylight or under good artificial light.
- Keep the work area free of clutter. Remove split wood from around the log splitter immediately after each use to avoid potential tripping.

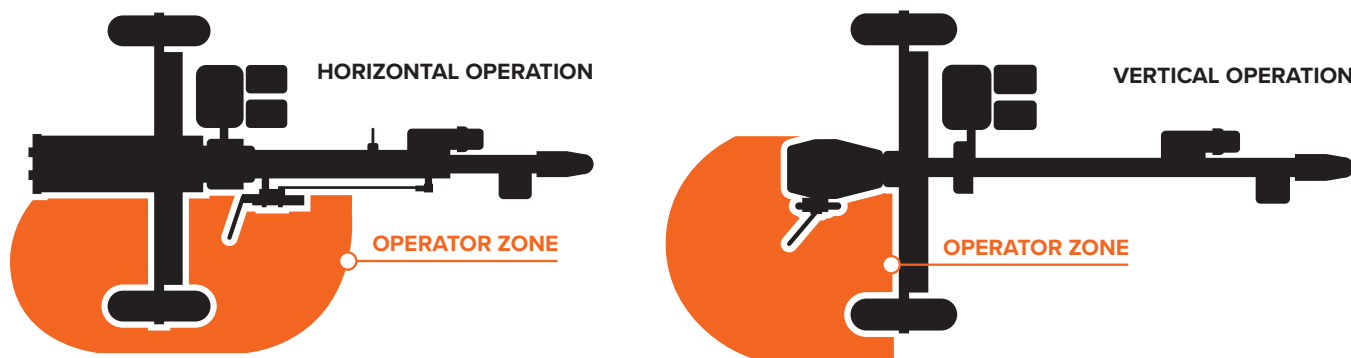


## OPERATION OF THE LOG SPLITTER

Operate the log splitter from within the operation zone as shown in the diagrams below. The operator has the safest and most efficient access to the control valve and the beam in these locations.



**DANGER: FAILURE TO OPERATE THE LOG SPLITTER IN HIGHLIGHTED ORANGE POSITION BELOW CAN RESULT IN SERIOUS INJURY OR DEATH.**



### DANGER

- **Make sure the operator knows how to stop and disengage the controls before operating.**
- **Do not place hands or feet between the log and splitting wedge during forward or reverse stroke. Serious injury or death could result.**
- **Do not** straddle or step over the log splitter during operation.
- **Do not** reach or bend over the log splitter to pick up a log.
- **Do not** attempt to split two logs on top of each other.
- **Do not** attempt to cross split a log.
- **Do not** Attempt to load your log splitter when the ram or wedge is in motion.
- Use your hand to operate the control lever on the valve. Do not use your foot, a rope or any extension device.
- **Do not** move the log splitter while the engine is running
- **Never leave the equipment unattended while the engine is running.** Shut off the engine even if you are leaving the log splitter for a short period of time.
- Avoid contact with the muffler and other hot areas of the engine during operation or after running to prevent burns.

**WARNING: REPAIR AND MAINTENANCE**

- **Do not operate the log splitter when it is in poor mechanical condition or in need of repair.** Frequently check that all nuts, bolts, screws, hydraulic fittings and hose clamps are tight.
- **Do not** alter the log splitter in any manner. Any alteration will void the warranty and could cause the log splitter to be unsafe to operate. Perform all recommended maintenance procedures before using the log splitter. Replace all damaged or worn parts immediately.
- **Do not** tamper with the engine to run it at excessive speeds. The maximum engine speed is preset by the manufacturer and is within safety limits. See KOHLER® Engine manual for more information.
- Remove the spark plug wire before performing any service or repair on the log splitter.
- **Always check the level of hydraulic oil and engine oil before operation.**
- Replacement parts must meet manufacturer's specifications.

**WARNING: HYDRAULIC SAFETY**

The hydraulic system of the log splitter required careful inspection along with the mechanical parts. Be sure to replace frayed, kinked, cracked or otherwise damaged hydraulic hoses or hydraulic components.

- **Check for hydraulic fluid leaks** by passing a piece of paper or cardboard underneath or over the area of the leak. **Do not check for leaks with your hand. Fluid escaping from the smallest hole, under pressure, can have enough force to penetrate the skin causing serious injury or death.**
- **Seek professional medical attention immediately if injured by escaping hydraulic fluid.** Serious infection or reaction can develop if medical treatment is not administered immediately.
- Relieve all pressure by shutting off the engine and moving the valve control handle back and forth should it become necessary to loosen or remove any hydraulic fitting.
- **Do not** remove the cap from the hydraulic tank or reservoir while the log splitter is running. **The tank could contain hot oil under pressure which could result in serious injury.**
- **Do not** adjust the hydraulic valve. The pressure relief valve on the log splitter is preset at the factory. **Only a qualified service technician should perform this adjustment.**

**CAUTION: FIRE PREVENTION**

- **Do not** operate the log splitter near an open flame or spark. **Hydraulic oil and gasoline are flammable and can explode.**
- **Do not** fill the gas tank while the engine is hot or running. Allow the engine to cool before refueling.
- **Do not** smoke while operating or refueling the log splitter. Gas fumes can easily explode.
- Refuel the log splitter in a clear area with no gas fumes or spilled gas. Use an approved fuel container. Replace the gas cap securely. If gas has spilled, move the log splitter away from the area of the spill and avoid creating any source of ignition until the spilled gas has evaporated.

- Keep a Class B fire extinguisher on hand when operating this log splitter in dry areas as a precautionary measure against possible flying sparks.
- Drain the fuel tank prior to storage to avoid the potential fire hazard. Store gasoline in an approved, tightly sealed container. Store the container in a cool, dry place.
- Turn the fuel shut off valve on the engine to the “OFF” position before towing the log splitter. Failure to do so may result in flooding the engine.

**CAUTION: IMPORTANT NOTE**

This log splitter is equipped with an internal combustion engine and should not be used on or near any unimproved forest-covered, brush-covered or grass-covered land unless the engine’s exhaust system is equipped with a spark arrester meeting applicable local or state laws (if any). If a spark arrester is used, it should be maintained in effective working order by the operator. In the state of California a spark arrester is required by law. Other states have similar laws.

Federal laws apply on federal lands. A spark arrester muffler is available as an accessory at your nearest engine dealer. Always check legal requirements in your area.

**CAUTION: TOWING SAFETY**

- Check all local and state regulations regarding towing, licensing, and lights before towing your log splitter.
- Check before towing to make sure that the log splitter is correctly and securely attached to the towing vehicle and that the safety chains are secured to the hitch or bumper of the vehicle with enough slack to allow turning. Always use a Class I, 2” ball with this log splitter.
- **Do not** carry any cargo or wood on the log splitter.
- **Do not** allow anyone to sit or ride on the log splitter.
- Disconnect the log splitter from the towing vehicle before operating it.
- Use care when backing up with the log splitter in tow to avoid jack-knifing. Allow for added length of the log splitter when turning, parking, crossing intersections and in all driving situations.
- **Do not exceed 25mph (40km/h) when towing your log splitter.** Towing the log splitter at speeds higher than 25mph (40km/h) could result in loss of control, damage to the equipment, serious injury or death. Adjust towing speed for terrain and conditions. Be extra cautious when towing over rough terrain.

**CALIFORNIA PROPOSITION 65 WARNING**

Engine exhaust, some of its constituents and certain product components contain or emit chemicals known to the State of California to cause cancer and birth defects or other reproductive harm.

## **SECTION II • ASSEMBLY**

# ASSEMBLY OVERVIEW

---

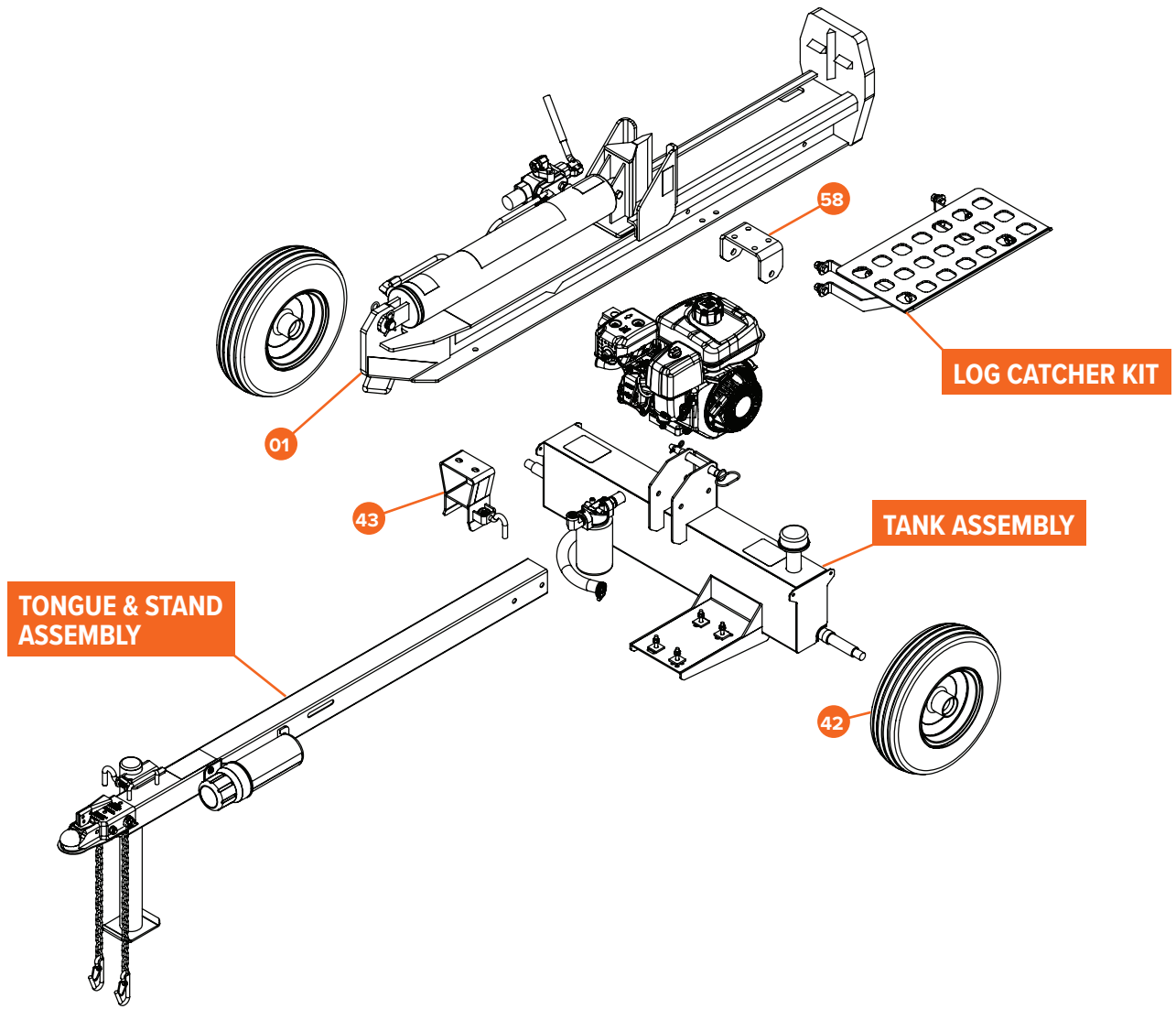
## LIST OF TOOLS NEEDED FOR ASSEMBLY:

TOOL #	DESCRIPTION
A	Hammer
B	Needle-nose pliers
C	Box cutter
D	#2 Phillips screw driver
E	6mm hex key wrench
F	8mm driver
G	13mm wrench or socket wrench
H	17mm wrench or socket wrench
I	19mm wrench or socket wrench
J	22mm and 24mm wrenches or socket wrench
K	28mm socket wrench



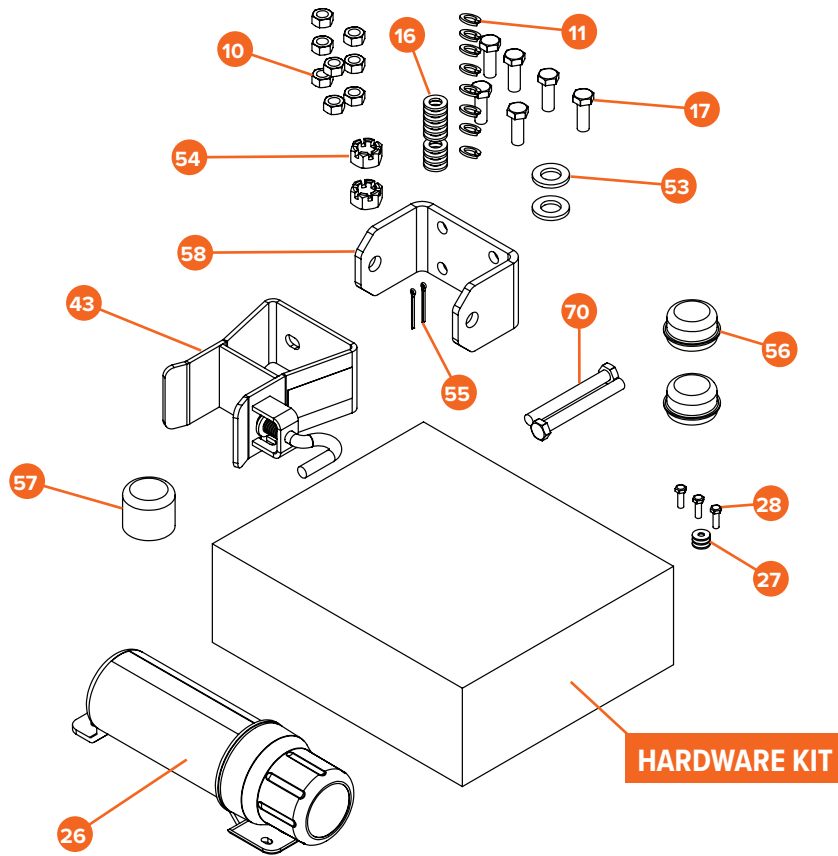
### CAUTION

On pre-filled log splitters, **DO NOT REMOVE** the end caps from the hydraulic hoses until **STEP 8**.



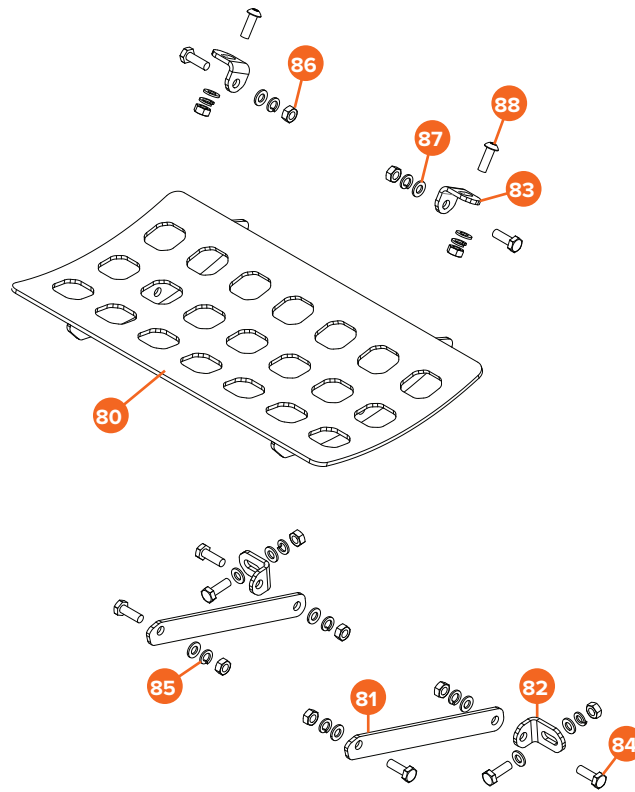
ITEM #	PART #	DESCRIPTION	SPECIFICATION	QTY.
01	OPS23201Y22	Integrated Beam		1
42	OPS23242Y22	Wheel Assembly	4.80 x 8	2
43	OPS23243Y22	Beam Lock Assembly		1
58	OPS23258Y22	Beam Pivot Plate		1

# HARDWARE KIT



ITEM #	PART #	DESCRIPTION	SPECIFICATION	QTY.
10	OPS23210Y22	Hex Nut	G8.8, M12 x 1.75	8
11	OPS23211Y22	Lock Washer	M12	8
16	OPS23216Y22	Flat Washer	M12	10
17	OPS23217Y22	Hex Bolt	G8.8, M12 x 1.75 x 35mm	6
26	OPS23226Y22	Manual Canister		1
27	OPS23227Y22	Fender Washer	M6	3
28	OPS23228Y22	Hex Bolt	G8.8, M6 x 1.0 x 20mm	3
43	OPS23243Y22	Beam Lock Assembly		1
53	OPS23253Y22	Flat Washer	3/4"	2
54	OPS23254Y22	Castle Nut	3/4-16, Clear Zinc	2
55	OPS23255Y22	Cotter Pin	1/8" x 1-1/2"	2
56	OPS23256Y22	Hub Cap		2
57	OPS23257Y22	Hub Cap Tool		1
58	OPS23258Y22	Beam Pivot Plate		1
70	OPS23270Y22	Hex Bolt	G8.8, M12 x 1.75 x 110mm	2

# LOG CATCHER KIT

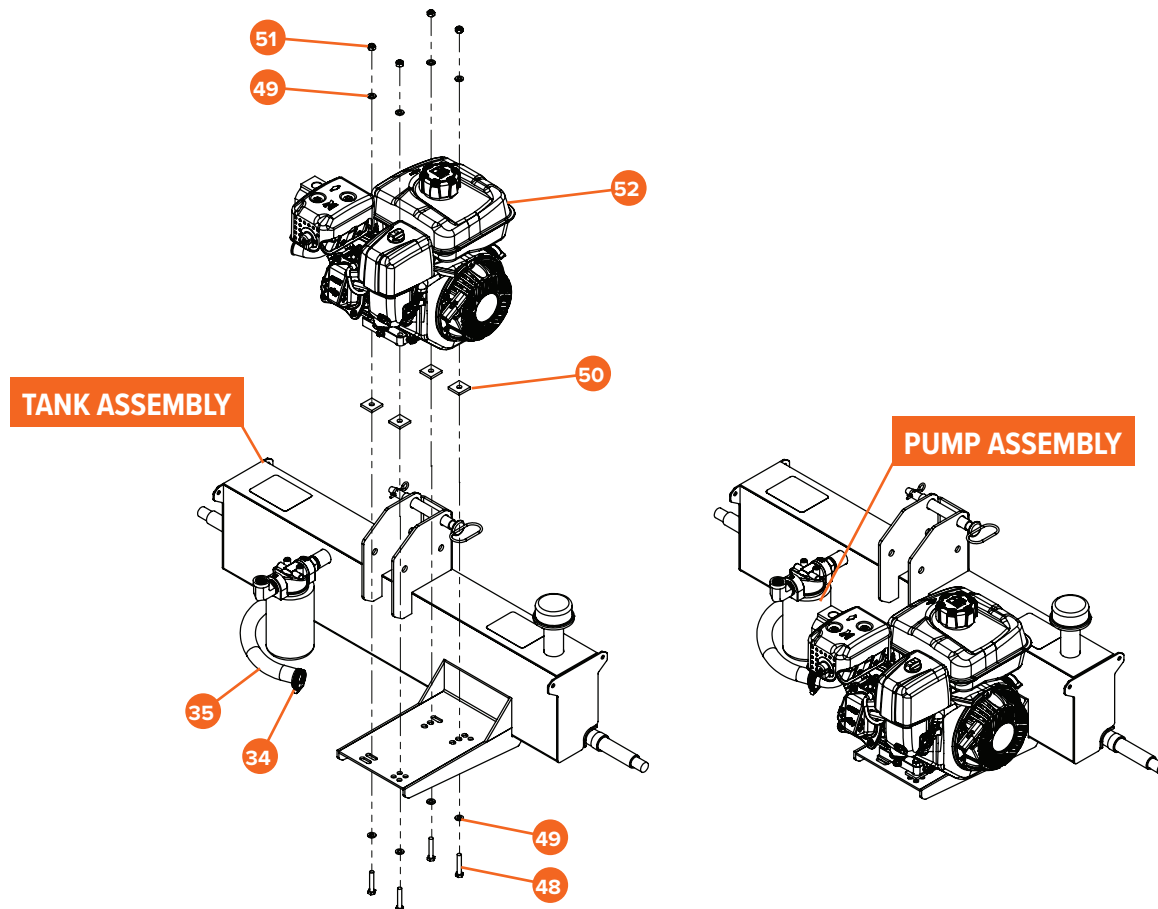


ITEM #	PART #	DESCRIPTION	SPECIFICATION	QTY.
80	OPS23280Y22	Log Catcher Grate		1
81	OPS23281Y22	Log Catcher Support Plate		2
82	OPS23282Y22	Lower Log Catcher Mount		2
83	OPS23283Y22	Upper Log Catcher Mount		2
84	OPS23284Y22	Hex Bolt	M10 x 1.5 x 30mm	8
85	OPS23285Y22	Lock Washer	M10	10
86	OPS23286Y22	Hex Nut	M10	10
87	OPS23287Y22	Flat Washer	M10	12
88	OPS23288Y22	Button Head Screw	M10 x 1.5 x 30mm	2



# STEP 1: TANK AND ENGINE

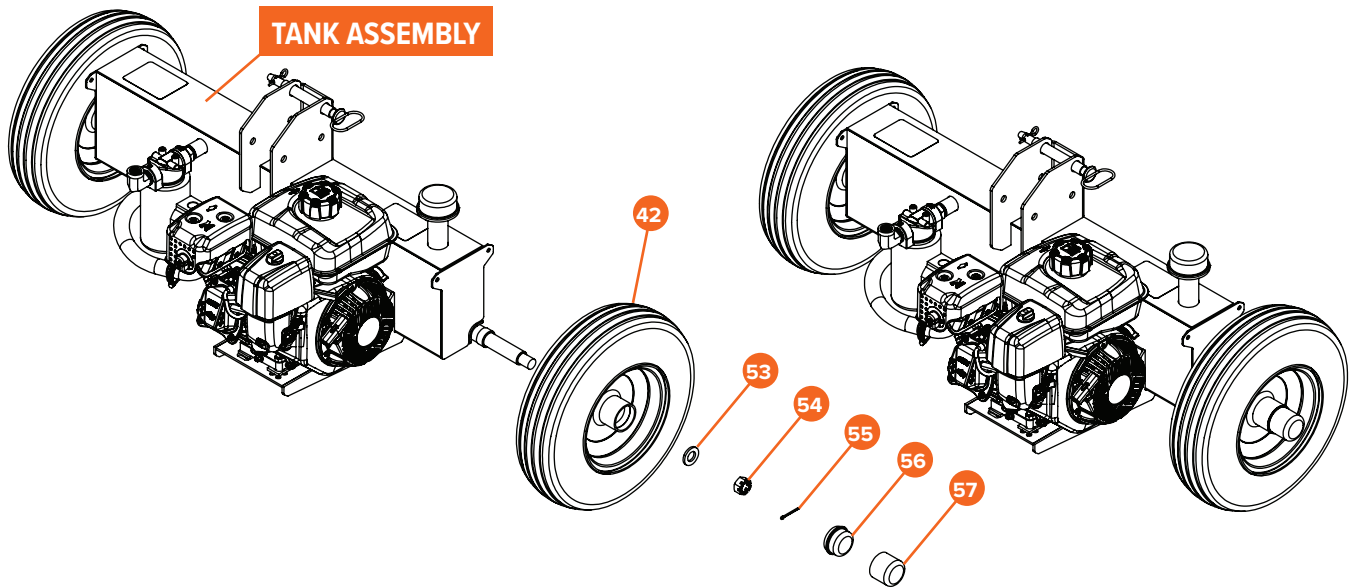
1. Remove M8 x 1.25 x 45mm Hex Bolts (48) from the **Tank Assembly**.
2. Place Engine (52) on the **Tank Assembly**.
3. Secure Engine (52) on **Tank Assembly** in 4 places with M8 x 1.25 x 45mm Hex Bolts (48), M8 Flat Washer (49) and M8 x 1.25 Nylock Hex Nut (51).
4. Attach Suction Line Tube (35) to Pump.
5. Fasten the Suction Line Tube (35) to the **Pump Assembly** with the Hose Clamp (34).



ITEM #	PART #	DESCRIPTION	SPECIFICATION	QTY.
34	OPS23234Y22	Hose Clamp	15/16" to 1-1/4"	2
35	OPS23235Y22	Suction Line Tube	Wire Reinforced	1
48	OPS23248Y22	Hex Bolt	G8.8, M8 x 1.25 x 45mm	4
49	OPS23249Y22	Flat Washer	M8	8
50	OPS23250Y22	Rubber Damper	B&S, LS	4
51	OPS23251Y22	Nylock Hex Nut	G8.8, M8 x 1.25	4
52	OPS23252Y22	Engine	KOHLER® SH265 6.5 HP 196cc	1

## STEP 2: WHEELS

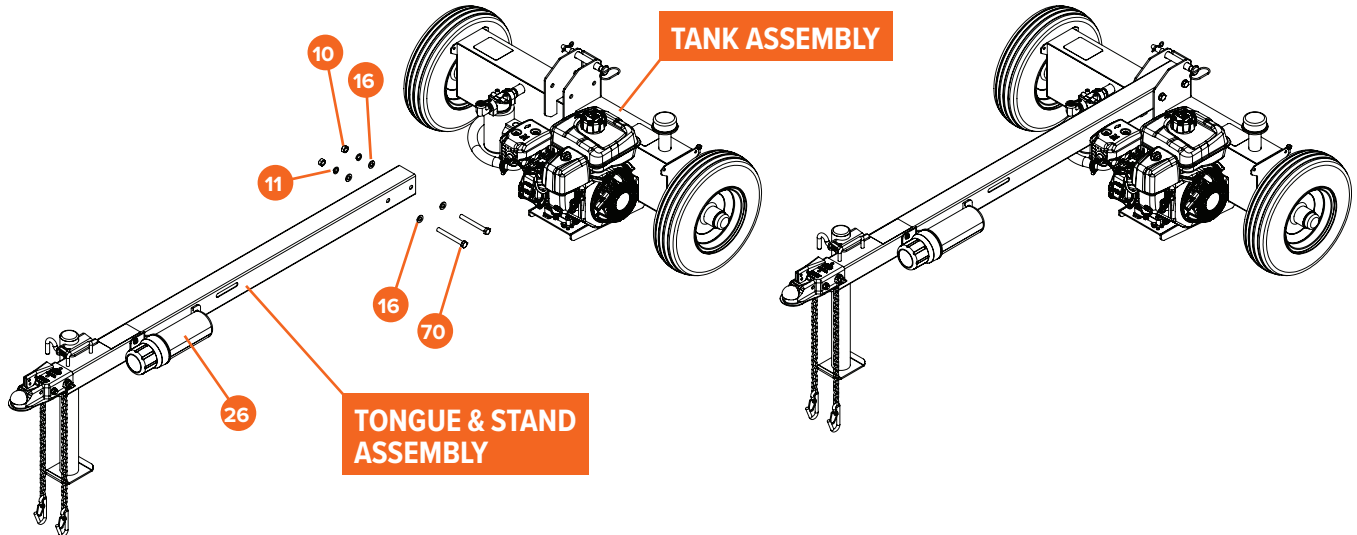
1. Remove disposable spindle covers and wheel bearing covers.
2. Slide Wheel Assembly (42) on to the spindle with valve stem of tire facing outwards.
3. Install 3/4" Flat Washer (53) on to the spindle.
4. Thread the slotted 3/4-16 Castle Nut (54) on to the spindle. The slotted nut should be attached with a 28mm Socket Wrench (K) tight enough to eliminate the free-play of the wheel assembly and not tighter. Make sure the wheels can freely rotate. The 3/4-16 Castle Nut (54) needs to be oriented to allow for the installation of the 1/8" x 1-1/2" Cotter Pin (55).
5. Install the 1/8" - 1-1/2" Cotter Pin (55) through the 3/4-16 Castle Nut (54) and spindle. Bend pin ends around the spindle to secure its position.
6. Install the Hub Cap (56) using the Hub Cap Tool (57). Gently tap on the hub cap tool with a hammer to drive the hub cap into place.
7. Repeat these steps to install the second wheel.



ITEM #	PART #	DESCRIPTION	SPECIFICATION	QTY.
42	OPS23242Y22	Wheel Assembly	4.80 x 8	2
53	OPS23253Y22	Flat Washer	3/4"	2
54	OPS23254Y22	Castle Nut	3/4-16, Clear Zinc	2
55	OPS23255Y22	Cotter Pin	1/8" x 1-1/2"	2
56	OPS23256Y22	Hub Cap	4.80 x 8	2
57	OPS23257Y22	Hub Cap Tool		1

# STEP 3: TONGUE

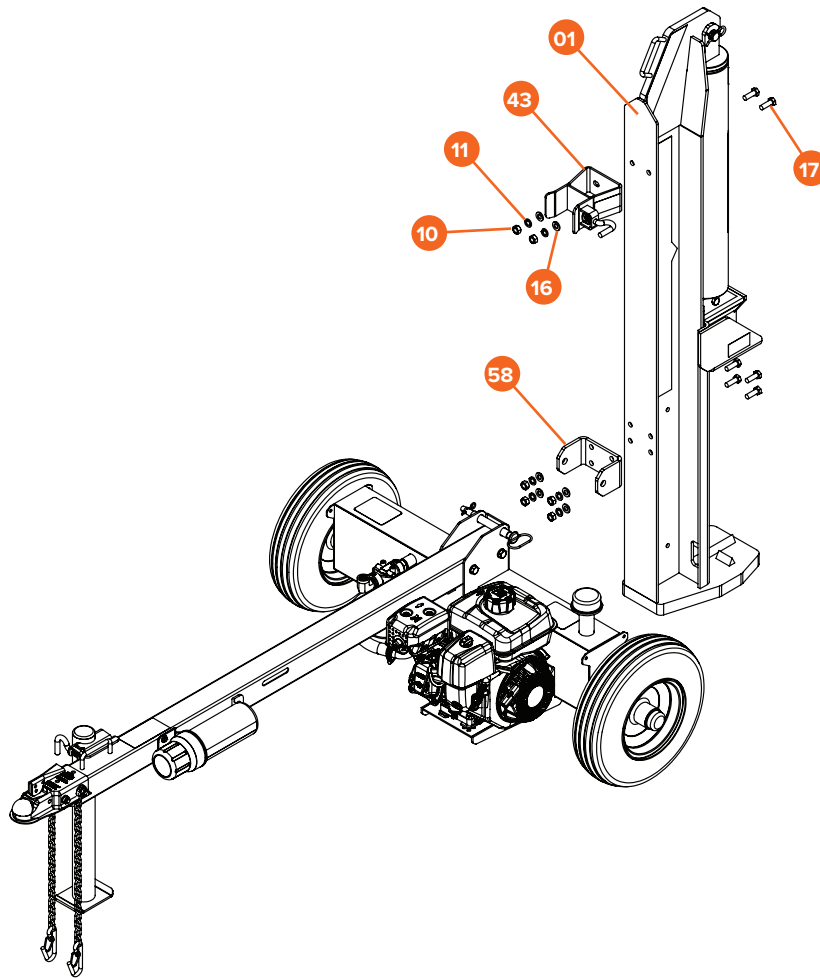
Attach the **Tongue & Stand Assembly** to the **Tank Assembly** with M12 x 1.75mm x 1.10mm Hex Bolt (**70**), M12 Flat Washer (**16**), M12 Lock Washer (**11**), and M12 x 1.75mm Hex Nut (**10**) in two places. Tighten securely using a 19mm Socket Wrench (**I**).



ITEM #	PART #	DESCRIPTION	SPECIFICATION	QTY.
10	OPS23210Y22	Hex Nut	G8.8, M12 x 1.75	2
11	OPS23211Y22	Lock Washer	M12	2
16	OPS23216Y22	Flat Washer	M12	2
26	OPS23226Y22	Manual Canister		1
70	OPS23270Y22	Hex Bolt	G8.8, M12 x 1.75 x 110mm	2

# STEP 4: BEAM BRACKET

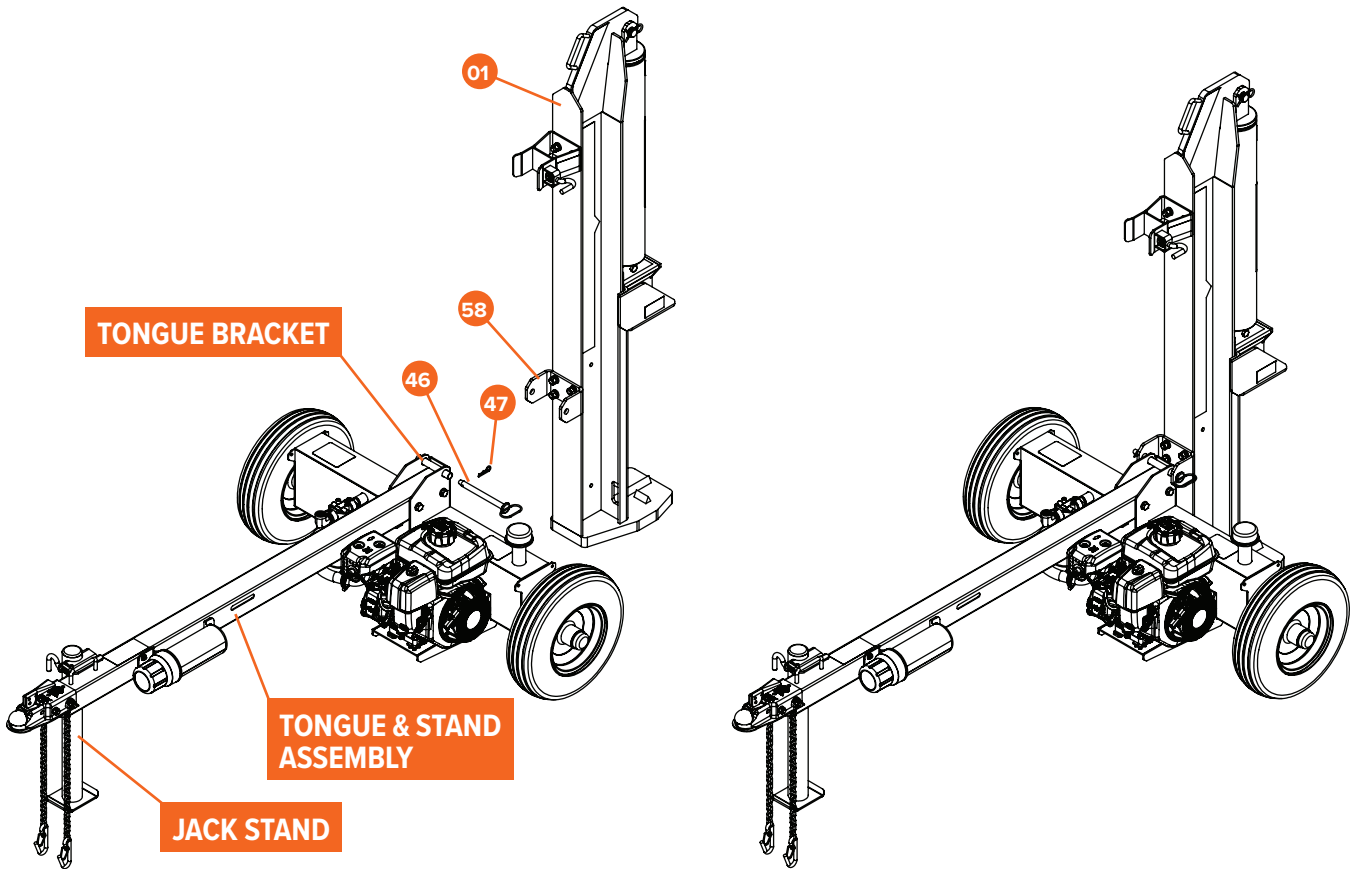
1. Attach the Beam Lock Assembly (43) to the Integrated Beam (01) with M12 x 1.75 x 35mm Hex Bolt (17), M12 Flat Washer (16), M12 Lock Washer (11), M12 x 1.75 Hex Nut (10) in two places. Tighten securely using a 19mm Socket Wrench (I).
2. Attach the Beam Pivot Plate (58) to the Integrated Beam (01) using the four bottom holes with M12 x 1.75 x 35mm Hex Bolt (17), M12 Flat Washer (16), M12 Lock Washer (11), and M12 x 1.75 Hex Nut (10) in four places. Tighten securely using a 19mm Socket Wrench (I).



ITEM #	PART #	DESCRIPTION	SPECIFICATION	QTY.
1	OPS23201Y22	Integrated Beam		1
10	OPS23210Y22	Hex Nut	G8.8, M12 x 1.75	6
11	OPS23211Y22	Lock Washer	M12	6
16	OPS23216Y22	Flat Washer	M12	6
17	OPS23217Y22	Hex Bolt	G8.8, M12 x 1.75 x 35mm	6
43	OPS23243Y22	Beam Lock Assembly		1
58	OPS23258Y22	Beam Pivot Plate		1

# STEP 5: BEAM

1. Rotate the **Jack Stand** attached to the side of the **Tongue & Stand Assembly** downwards into position by releasing the pin and then securing the release pin.
2. Remove the 1/8" R-Clip (**47**) and 5/8" x 6-1/4" Hitch Pin (**46**) from the assembled unit (as shown below).
3. Slowly back the assembled unit up to the Integrated Beam (**01**). Align the **Tongue Bracket** of the assembled unit to the Beam Pivot Plate (**58**) of the Integrated Beam (**01**).
4. Once the brackets are aligned, install the 5/8" x 6-1/4" Hitch Pin (**46**) through the brackets then install the 1/8" R-Clip (**47**) into the 5/8" x 6-1/4" Hitch Pin (**46**).



ITEM #	PART #	DESCRIPTION	SPECIFICATION	QTY.
01	OPS23201Y22	Integrated Beam		1
46	OPS23246Y22	Hitch Pin	5/8" x 6-1/4"	1
47	OPS23247Y22	R-Clip	1/8" (Fits 1/2" to 3/4")	1
58	OPS23258Y22	Beam Pivot Plate		1

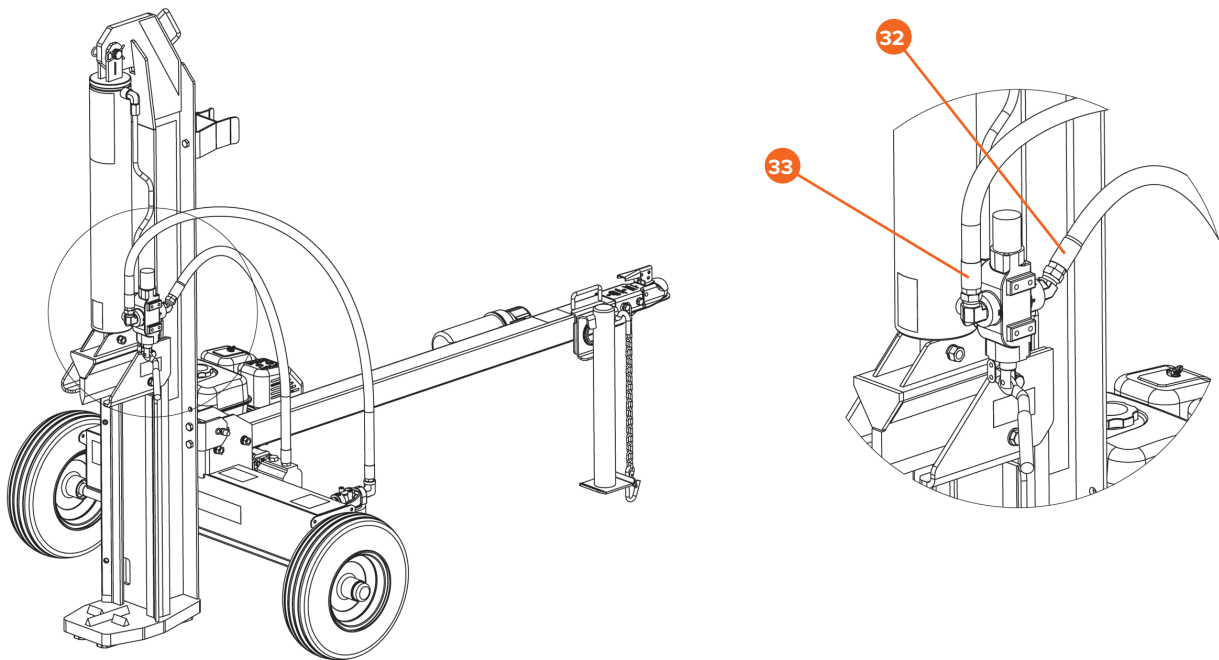
## STEP 6: HYDRAULIC LINE



### CAUTION

On pre-filled log splitters, hold hoses above the level of the hydraulic tank before removing end caps.

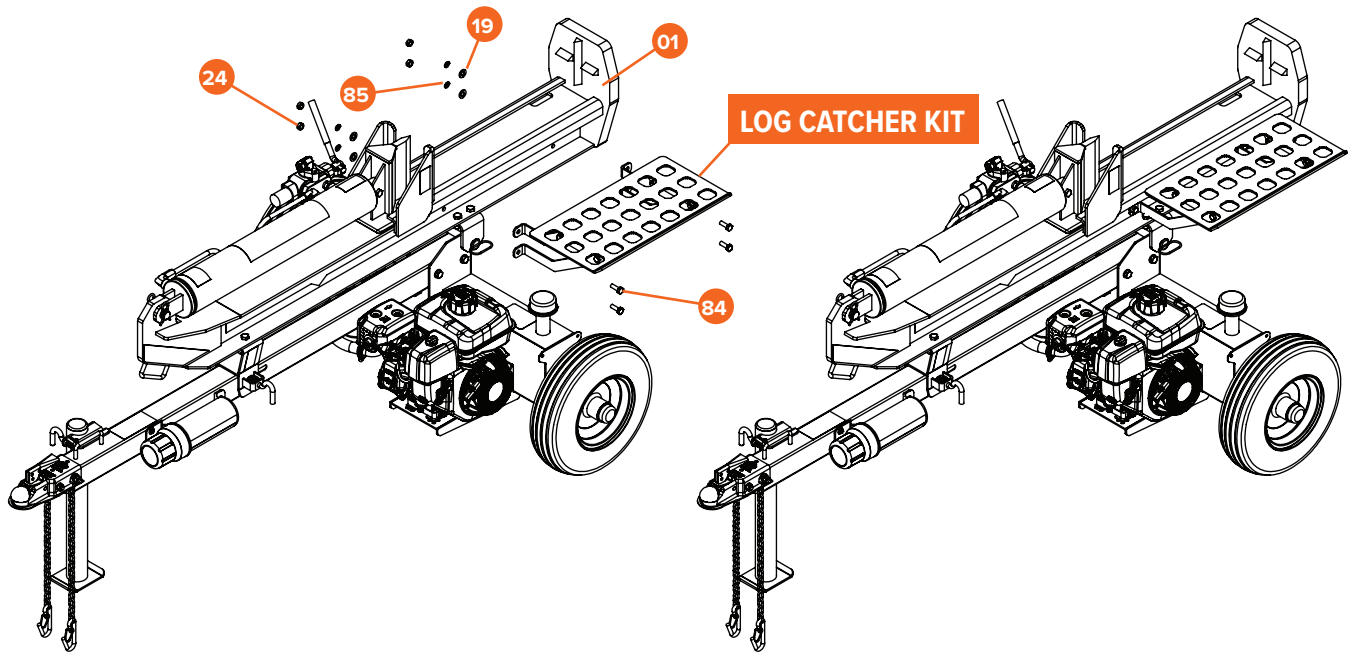
1. Hold Hydraulic Hoses (**32, 33**) above the level of the hydraulic tank to prevent fluid leakage and remove the end caps.
2. Apply Teflon tape or pipe sealant on to the hose fitting threads. Install the ends of the two Hydraulic Hoses (**32, 33**) to the Valve (as shown in detail drawing). Securely tighten the fitting connections using 22mm and 24mm wrenches (**J**).
3. Remove tank cap and install the vent cap.



ITEM #	PART #	DESCRIPTION	SPECIFICATION	QTY.
32	OPS23232Y22	Hydraulic Hose	1/2" x 38"	1
33	OPS23233Y22	Hydraulic Hose	1/2" x 56"	1

## STEP 7: LOG CATCHER

1. Rotate the Integrated Beam **(01)** Down from upright position and lock in place with the release pin.
2. Install the **Log Catcher Kit** with M10 x 1.5 x 30mm Hex Bolts **(84)**, M10 Flat Washers **(19)**, M10 Lock Washers **(85)**, and M10 x 1.5 Locking Hex Nuts **(24)** in 2 places. Tighten the M10 x 1.5 Locking Hex Nuts **(24)** securely with a 17mm Socket Wrench **(H)** and tighten the M10 x 1.5 x 30mm Button Head Screws **(88)** using the 6mm Hex Key Wrench **(E)**.



ITEM #	PART #	DESCRIPTION	SPECIFICATION	QTY.
01	OPS23201Y22	Integrated Beam		1
19	OPS23219Y22	Flat Washer	M10	4
24	OPS23224Y22	Locking Hex Nut	G8.8, M10 x 1.5	4
84	OPS23284Y22	Hex Bolt	M10 x 1.5 x 30mm	8
85	OPS23285Y22	Lock Washer	M10	10
88	OPS23288Y22	Button Head Screw	M10 x 1.5 x 30mm	2

## STEP 8: FINAL INSTALLATION CHECK

Check tightness of all fittings, nuts and bolts prior to filling the log splitter with fluids.

## **SECTION III • OPERATION**



# OPERATING INSTRUCTIONS

---



**DANGER:** Read and understand the complete User Manual before assembling or using this product! Failure to comprehend and comply with warnings, cautions, and instructions for assembly and operation could result in serious injury or death.



**DANGER:** Do not permit children to operate this equipment at any time.



**DANGER:** Do not permit others that have not read and understood the complete User Manual to operate this equipment. Operation of power equipment can be dangerous. It is the sole responsibility of the operator to understand the assembly and safe operation of this product.



**CAUTION:** Oil must be added to the hydraulic reservoir and the engine before starting or operating.

**STEP 1:** Please add approximately 4 gallons of hydraulic fluid. The remaining hydraulic fluid will be added after the cylinder is cycled. AW32 or AW46 hydraulic oil is recommended. Automatic transmission fluid can be substituted instead of hydraulic oil when temperatures are below 32°F. Use only clean oil and take care to prevent dirt from entering the hydraulic reservoir.

## ENGINE OIL RECOMMENDATIONS

Use 4-stroke automotive detergent oil. SAE 10W-30 is recommended for general use. Refer to the SAE Viscosity Grades chart in your engine owner's manual for average temperature ranges. The engine manufacturer recommends using API SERVICE category SE or SF oil. The engine oil capacity is 20oz. for the OPS232. Always check oil levels before starting engine and keep level full.

**STEP 2:** After the hydraulic reservoir and the engine crankcase are filled with oil, start the engine. The hydraulic pump is self-priming. With the engine running, move the hydraulic valve lever toward the foot plate. This will cause the cylinder to extend and expel air. When the cylinder is fully extended, retract it. Repeat this procedure several times. An erratic movement of the cylinder indicates that there is still air in the system. Add about 1.0 to 1.5 gallons of hydraulic fluid. Five gallons will register just above the top fill line on the dip stick. The total capacity of the entire hydraulic system is 8 gallons for the OPS232 with 6.5 gallons of hydraulic fluid being the minimum required to operate.

**NOTE:** If the tank is overfilled it will expel oil from the breather cap when the cylinder is retracted. Cycle the cylinder again until it has a constant speed which indicates that all air has been expelled.

## STARTING INSTRUCTIONS

**NOTE:** Refer to the Engine Owner's Manual for complete information on starting, maintenance and troubleshooting.

1. Move the fuel valve lever to the ON position.
2. To start a cold engine, move the choke lever to the CLOSE position. To restart a warm engine, leave the choke lever in the OPEN position.
3. Move the throttle lever away from the SLOW position, about 1/3 of the way toward the FAST position.
4. Turn the engine switch to the ON position.
5. Pull the starter grip until you feel resistance, then pull briskly. Return the starter grip gently.
6. If the choke lever has been moved to the CLOSE position to start the engine, gradually move it to the OPEN position as the engine warms up.
7. To stop the engine in an emergency, simply turn the engine switch to the OFF position. Under normal conditions, move the throttle lever to the SLOW position and then turn the engine switch to the OFF position. Then turn the fuel valve lever to the OFF position.

For further information on starting and stopping the engine, refer to your Engine Owner's Manual.



**CAUTION:** Turn Fuel Shut Off Valve to the "OFF" position before towing to avoid flooding the engine.

**NOTE:** The engine's maximum speed is factory preset at 3,600 RPM as the no load speed. The throttle should be set at the maximum speed for wood splitting to reach the horsepower required for the pump.



### WARNING

Review the safety information related to operation of the log splitter on pages 6-9 of this manual. Make sure that you have the recommended personal protective equipment described on page 6.

1. Set up the log splitter in a clear, level area and block the wheels. Make sure that the suction port on the tank is always on the lower side of the log splitter.
2. For horizontal operation place a log on the beam against the foot plate. Make sure the log is securely on the foot plate and against the beam. To split wood in the vertical position, release the pin on the beam latch located on the front end of the beam. Carefully tilt the beam up until the foot plate is sitting squarely on the ground and the log splitter is stable. Place the log on the foot plate against the beam. When the beam is returned to the horizontal position make sure the beam latch is securely locked down.
3. When the engine is running, depress the valve handle so that the cylinder will drive the wedge into the log. Extend the cylinder until the log splits or to the end of its stroke. If the log has not completely split after the cylinder has reached the end of its extension, retract the cylinder.

**CAUTION: IMPORTANT**

Leaving the valve in the “ACTUATE” position at the end of the stroke may damage the pump. Always use extra care when splitting logs with unsquare ends.



**CAUTION: Store manuals in the Manual Canister attached to the tongue of the log splitter or file in a safe place for future reference.**

**WARNING: NOTE**

For operation in wooded areas, obtain a spark arrestor for the exhaust system. See the engine operating and maintenance manual and check with your authorized service center. See also Fire Prevention on page 10 of this manual.

**IMPORTANT: To extend the life of the hydraulic cylinder avoid bottoming out the wedge plate to the foot plate. To conform with industry safety recommendations the wedge stops 1/2 inches from the end of the stroke.**

**WARNING: TOWING**

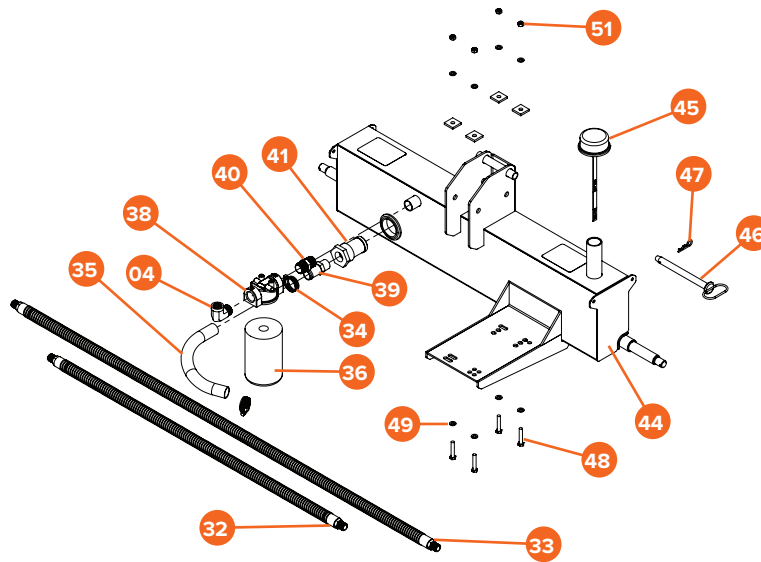
This log splitter is equipped with pneumatic tires, a Class I coupler (2” in diameter ball required) and safety chains. Before towing, the safety chains must be secured to the hitch or bumper of the vehicle. Local regulations should be checked regarding licensing, lights, towing, etc. Turn fuel shut off valve on the engine to the “OFF” position prior to towing. Failure to do so may result in flooding the engine. Do not exceed 25mph (40km/h) when towing this log splitter. *See also Towing Safety on page 11 of this manual.*

**MAINTENANCE**

1. Consult the operating and maintenance instructions of the engine manufacturer for engine care and maintenance.
2. **Always check the oil level of the hydraulic reservoir before operation.** Operating the log splitter without an adequate oil supply will cause severe damage to the pump.
3. Change the oil filter after the first 25 hours of operation. There after change the oil filter every 100 hours or seasonally, whichever comes first.
4. To drain the hydraulic oil, loosen the clamp on the hose coming from the fitting on the bottom of the tank. It is located just to the right of the oil filter.
5. If the wedge becomes dull or nicked, it can be removed and sharpened. Remove the bolt that connects the wedge to the cylinder. The hose from the valve may need to be removed. Carefully lift the cylinder to allow the wedge to slide forward. The wedge can now be lifted off and sharpened.
6. Clean the breather cap after 25 hours of operation. Clean it more often when operated in dusty conditions. To clean, remove the breather cap from the tank and flush with kerosene or liquid detergent to remove the dirt.
7. *See Repair and Maintenance on page 10 of this manual.*
8. All replacement parts must meet manufacturer’s specifications.

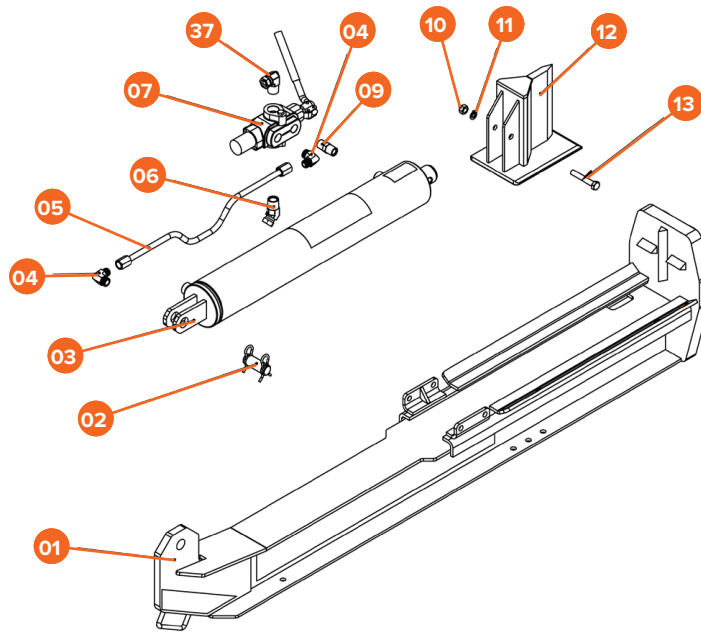
## **SECTION IV • PARTS & SCHEMATICS**

# SCHEMATICS: TANK



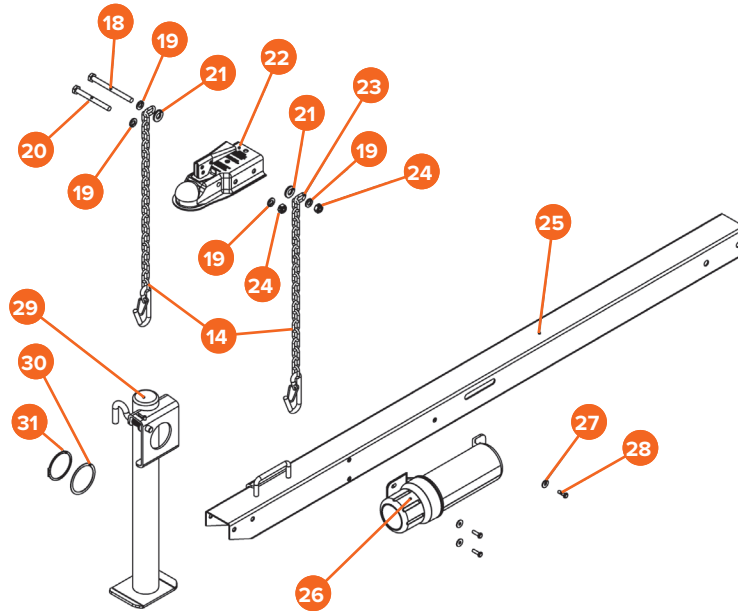
ITEM #	PART #	DESCRIPTION	SPECIFICATION	QTY.
04	OPS23204Y22	Elbow Fitting	M 3/4 NPT, 1/2 Flare Tube	1
32	OPS23232Y22	Hydraulic Hose	1/2" x 38"	1
33	OPS23233Y22	Hydraulic Hose	1/2" x 56"	1
34	OPS23234Y22	Hose Clamp	15/16" to 1-1/4"	2
35	OPS23235Y22	Suction Line Tube	Wire Reinforced	1
36	OPS23236Y22	Hydraulic Oil Filter	Paper Media, Generic	1
38	OPS23238Y22	Filter Base Assembly	3/4 NPT, 1-12 UNF	1
39	OPS23239Y22	Straight Fitting	M 3/4 NPT, M 3/4 NPT	1
40	OPS23240Y22	Straight Fitting	3/4 NPT to 1" Tube	1
41	OPS23241Y22	Suction Filter	16 GPM	1
44	OPS23244Y22	Tank		1
45	OPS23245Y22	Vent Cap Assembly	SM Tank	1
46	OPS23246Y22	Hitch Pin	5/8" x 6-1/4"	1
47	OPS23247Y22	R-Clip	1/8" (Fits 1/2" to 3/4")	1
48	OPS23248Y22	Hex Bolt	G8.8, M8 x 1.25 x 45mm	4
49	OPS23249Y22	Flat Washer	M8	8
51	OPS23251Y22	Nylock Hex Nut	G8.8, M8 x 1.25	4

# SCHEMATICS: BEAM



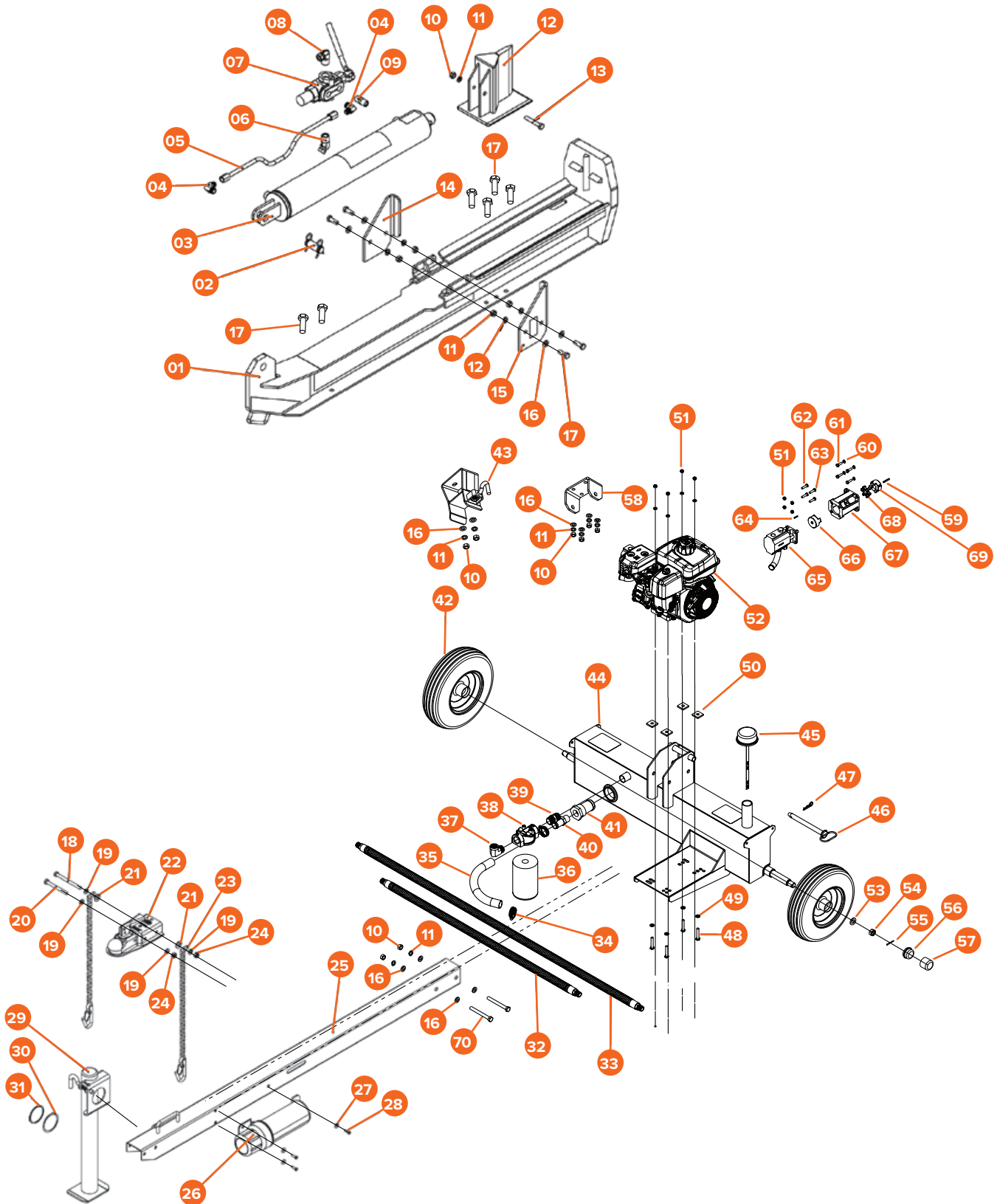
ITEM #	PART #	DESCRIPTION	SPECIFICATION	QTY.
01	OPS23201Y22	Integrated Beam		1
02	OPS23202Y22	Clevis Pin Assembly with Clips	1"	1
03	OPS23203Y22	Hydraulic Cylinder	4.5", F 1/2 NPT	1
04	OPS23204Y22	Elbow Fitting	M 3/4 NPT, 1/2 Flare Tube	2
05	OPS23205Y22	Tube	1/2 OD, Flared, 3/4-16 Nuts	1
06	OPS23206Y22	Fitting	45°, M 3/4 NPT to F 1/2 NPT	1
07	OPS23207Y22	Valve	4000 PSI, Adjustable Detent	1
09	OPS23209Y22	Nipple Fitting	1/2 NPT, 1/2 NPT	1
10	OPS23210Y22	Hex Nut	G8.8, M12 x 1.75	1
11	OPS23211Y22	Lock Washer	M12	1
12	OPS23212Y22	Wedge	8.5"	1
13	OPS23213Y22	Hex Bolt	M12 x 1.75 x 75mm	1
37	OPS23237Y22	Elbow Fitting	M 3/4 NPT, F 1/2 NPT	1

# SCHEMATICS: TONGUE

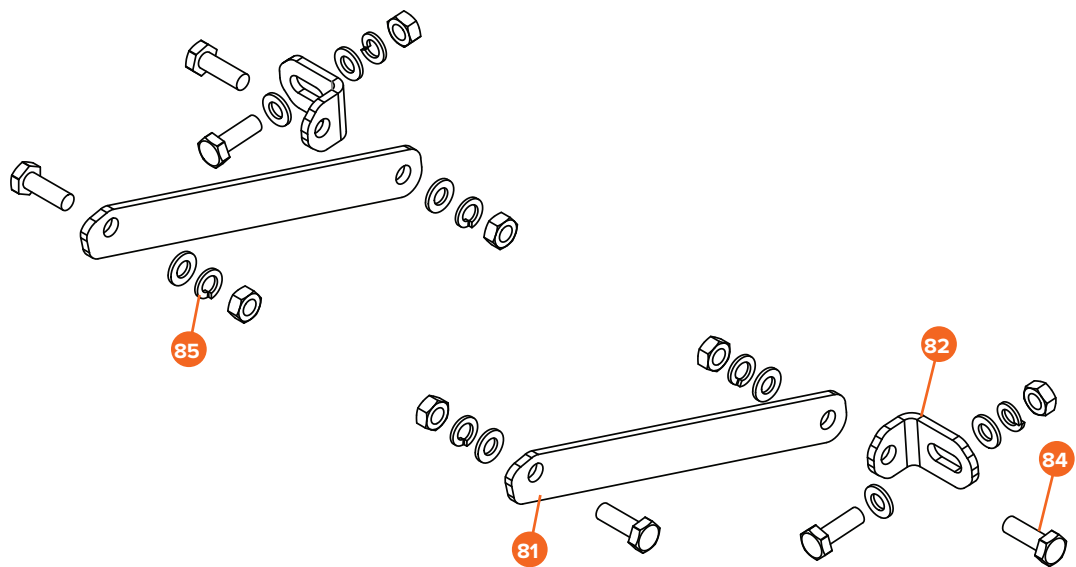
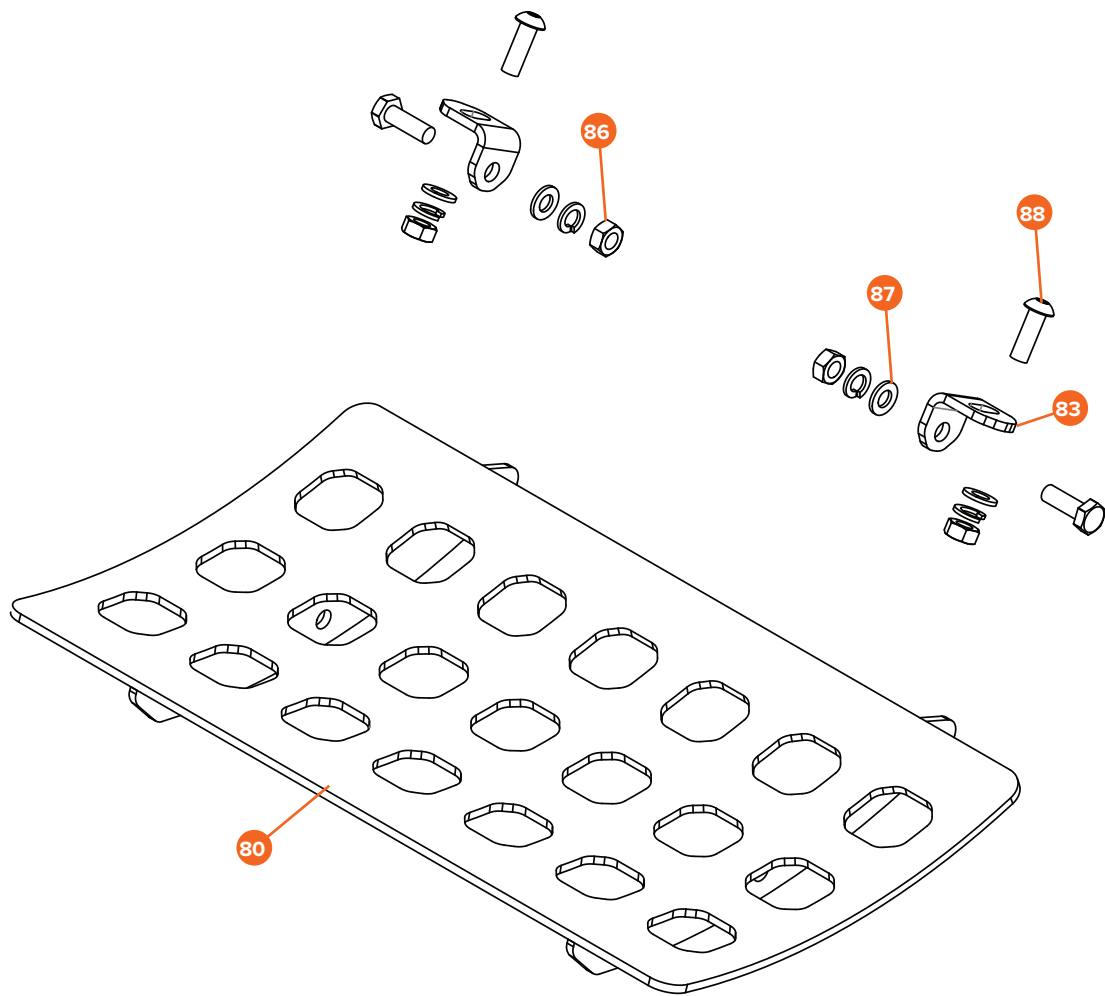


ITEM #	PART #	DESCRIPTION	SPECIFICATION	QTY.
14	OPS23223Y22	Safety Chain		2
18	OPS23218Y22	Hex Bolt	G8.8, M10 x 1.5 x 120mm	1
19	OPS23219Y22	Flat Washer	M10	4
20	OPS23220Y22	Hex Bolt	G8.8, M10 x 1.5 x 100mm	1
21	OPS23221Y22	Flat Washer	1/2"	2
22	OPS23222Y22	Ball Coupler Assembly	2"	1
24	OPS23224Y22	Locking Hex Nut	G8.8, M10 x 1.5	2
25	OPS23225Y22	Tongue		1
26	OPS23226Y22	Manual Canister		1
27	OPS23227Y22	Fender Washer	M6	3
28	OPS23228Y22	Hex Bolt	G8.8, M6 x 1.0 x 20mm	3
29	OPS23229Y22	Tongue Stand		1
30	OPS23230Y22	Shim	OD 75mm, ID 64mm x 1mm	1
31	OPS23231Y22	External Retaining Ring	63mm	1

# SCHEMATICS: COMPLETE DIAGRAM







# SCHEMATICS: COMPLETE PARTS LIST

ITEM #	PART #	DESCRIPTION	SPECIFICATION	QTY.
1	OPS23201Y22	Integrated Beam		1
2	OPS23202Y22	Clevis Pin Assembly with Clips	1"	1
3	OPS23203Y22	Hydraulic Cylinder	4.5", F 1/2 NPT	1
4	OPS23204Y22	Elbow Fitting	M 3/4 NPT, 1/2 Flare Tube	2
5	OPS23205Y22	Tube	1/2 OD, Flared, 3/4-16 Nuts	1
6	OPS23206Y22	Fitting	45°, M 3/4 NPT to F 1/2 NPT	1
7	OPS23207Y22	Valve	4000 PSI, Adjustable Detent	1
8	OPS23208Y22	Elbow Fitting	M 3/4 NPT to F 1/2 NPT	1
9	OPS23209Y22	Nipple Fitting	1/2 NPT, 1/2 NPT	1
10	OPS23210Y22	Hex Nut	G8.8, M12 x 1.75	13
11	OPS23211Y22	Lock Washer	M12	13
12	OPS23212Y22	Wedge	8.5"	1
13	OPS23213Y22	Hex Bolt	M12 x 1.75 x 75mm	1
14	OPS23214Y22	Stripper Plate	SM Beam, LT	1
15	OPS23215Y22	Stripper Plate	SM Beam, RT	1
16	OPS23216Y22	Flat Washer	M12	10
17	OPS23217Y22	Hex Bolt	G8.8, M12 x 1.75 x 35mm	10
18	OPS23218Y22	Hex Bolt	G8.8, M10 x 1.5 x 120mm	1
19	OPS23219Y22	Flat Washer	M10	16
20	OPS23220Y22	Hex Bolt	G8.8, M10 x 1.5 x 100mm	1
21	OPS23221Y22	Flat Washer	1/2"	1
22	OPS23222Y22	Ball Coupler Assembly	2"	1
23	OPS23223Y22	Safety Chain		2
24	OPS23224Y22	Locking Hex Nut	G8.8, M10 x 1.5	2
25	OPS23225Y22	Tongue		1
26	OPS23226Y22	Manual Canister		1
27	OPS23227Y22	Fender Washer	M6	2
28	OPS23228Y22	Hex Bolt	G8.8, M6 x 1.0 x 20mm	2
29	OPS23229Y22	Tongue Stand		1
30	OPS23230Y22	Shim	OD 75mm, ID 64mm x 1mm	1
31	OPS23231Y22	External Retaining Ring	63mm	1
32	OPS23232Y22	Hydraulic Hose	1/2" x 38"	1
33	OPS23233Y22	Hydraulic Hose	1/2" x 56"	1
34	OPS23234Y22	Hose Clamp	15/16" to 1-1/4"	2
35	OPS23235Y22	Suction Line Tube	Wire Reinforced	1
36	OPS23236Y22	Hydraulic Oil Filter	Paper Media, Generic	1
37	OPS23237Y22	Elbow Fitting	M 3/4 NPT, F 1/2 NPT	1
38	OPS23238Y22	Filter Base Assembly	3/4 NPT, 1-12 UNF	1
39	OPS23239Y22	Straight Fitting	M 3/4 NPT, M 3/4 NPT	1

ITEM #	PART #	DESCRIPTION	SPECIFICATION	QTY.
40	OPS23240Y22	Straight Fitting	3/4 NPT to 1" Tube	1
41	OPS23241Y22	Suction Filter	16 GPM	1
42	OPS23242Y22	Wheel Assembly	4.8 x 8	2
43	OPS23243Y22	Beam Lock Assembly		1
44	OPS23244Y22	Tank		1
45	OPS23245Y22	Vent Cap Assembly	SM Tank	1
46	OPS23246Y22	Hitch Pin	5/8" x 6-1/4"	1
47	OPS23247Y22	R-Clip	1/8" (fits 1/2" to 3/4")	1
48	OPS23248Y22	Hex Bolt	G8.8, M8 x 1.25 x 45mm	4
49	OPS23249Y22	Flat Washer	M8	8
50	OPS23250Y22	Rubber Damper	B&S, LS	4
51	OPS23251Y22	Nylock Hex Nut	G8.8, M8 x 1.25	8
52	OPS23252Y22	Engine	KOHLER® SH265 6.5 HP 196cc	1
53	OPS23253Y22	Flat Washer	3/4"	2
54	OPS23254Y22	Castle Nut	3/4-16, Clear Zinc	2
55	OPS23255Y22	Cotter Pin	1/8" x 1-1/2"	2
56	OPS23256Y22	Hub Cap	4.80 x 8	2
57	OPS23257Y22	Hub Cap Tool		1
58	OPS23258Y22	Beam Pivot Plate		1
59	OPS23259Y22	Key Stock Bar		1
60	OPS23260Y22	Lock Washer	M8	4
61	OPS23261Y22	Hex Bolt	G8.8, 5/16"-24UNF x 1"	4
62	OPS23262Y22	Hex Bolt	G8.8, M8 x 1.25 x 30mm	2
63	OPS23263Y22	Hex Bolt	G8.8, M8 x 1.25 x 30mm	2
64	OPS23264Y22	Key Stock Bar		1
65	OPS23265Y22	2-Stage Pump	15 GPM	1
66	OPS23266Y22	Jaw Coupler	1/2" Bore, L090	1
67	OPS23267Y22	Small Pump Mount	92mm BC	1
68	OPS23268Y22	Jaw Spider Coupler	L090	1
69	OPS23269Y22	Jaw Coupler	3/4" Bore, L090	1
70	OPS23270Y22	Hex Bolt	G8.8, M12 x 1.75 x 110mm	2
80	OPS23280Y22	Log Catcher Grate		1
81	OPS23281Y22	Log Catcher Support Plate		2
82	OPS23282Y22	Lower Log Catcher Mount		2
83	OPS23283Y22	Upper Log Catcher Mount		2
84	OPS23284Y22	Hex Bolt	M10 x 1.5 x 30mm	8
85	OPS23285Y22	Lock Washer	M10	10
86	OPS23286Y22	Hex Nut	M10	10
87	OPS23287Y22	Flat Washer	M10	12
88	OPS23288Y22	Button Head Screw	M10 x 1.5 x 30mm	2

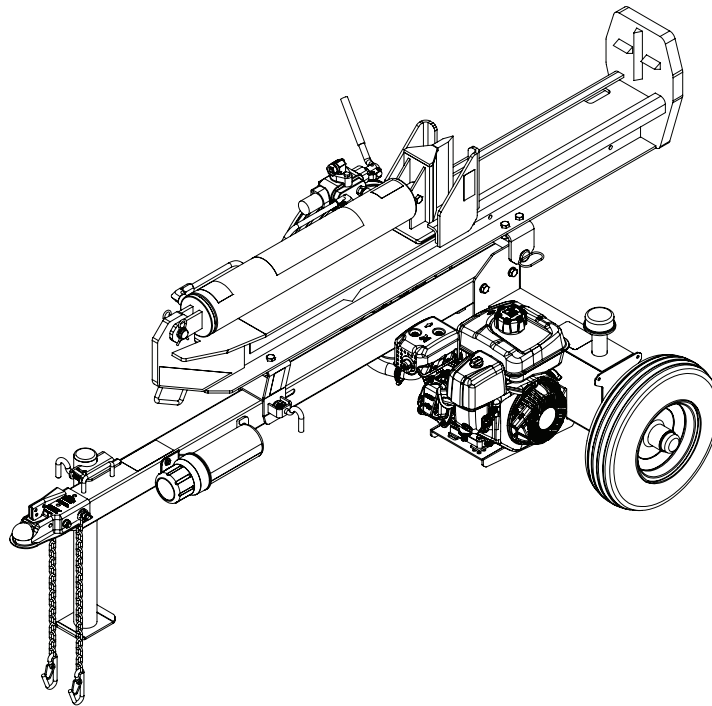


# OPS232

FENDEUSE DE BÛCHES HYDRAULIQUE  
32 TONNES HORIZONTALE ET VERTICALE

ALIMENTÉ PAR KOHLER®

## MANUEL DE L'UTILISATEUR



### DK2 USA OUEST

3311 AVENUE MEADE STE  
E QUAI 13, LAS VEGAS, NEVADA  
89102 ÉTATS-UNIS

### SIÈGE SOCIAL CORPORATIF DK2

5330 MAINWAY  
BURLINGTON, ONTARIO  
L7L6A4 CANADA

### DK2 USA EST

3750 AVENUE SUD  
UNITÉ NORD, TOLEDO, OHIO  
43615 ÉTATS-UNIS

**REMARQUE :** Si vous trouvez des pièces endommagées ou manquantes, veuillez **appeler le service client DK2 ou contactez-nous via notre site Web**. Nous vous remplacerons gratuitement toute pièce endommagée ou manquante.  
**Veuillez ne pas retourner au magasin.**

SERVICE À LA CLIENTÈLE 1 (888) 277-6960 | WWW.DK2.COM

# GARANTIE

**MERCI DE NE PAS RETOURNER AU MAGASIN**

**VOUS BÉNÉFICIEZ D'UNE GARANTIE D'UN AN ET DK2 REMPLACERA GRATUITEMENT LA PIÈCE DÉFECTUEUSE. APPELÉZ-NOUS AU 1 (888) 277-6960 POUR LES PIÈCES DE GARANTIE RAPIDE ET LES QUESTIONS.**

## **CE QUI EST COUVERT - 2 ANS DE GARANTIE MOTEUR ET 1 AN GARANTIE COMMERCIAL**

Detail K2 Inc. garantit à l'acheteur d'origine que le produit sera exempt de défauts de fabrication dans fabrication et matériaux dans des conditions normales d'utilisation et de service pendant une période d'un (1) an à compter de la date d'achat l'original. Si dans un délai d'un (1) an à compter de la date d'achat d'origine, ce produit tombe en panne en raison d'un défaut de matériau ou fabrication, Detail K2 réparera, remplacera ou fournira toute pièce défectueuse couverte à notre discrétion. DK2 POWER est garantie d'un an sur les pièces uniquement, sans main-d'œuvre. La garantie Kohler de 3 ans couvre les PIÈCES et la MAIN-D'ŒUVRE. À l'expiration d'un (1) an, Detail K2 n'aura plus aucune responsabilité liée au produit. Detail K2 n'autorise aucun autre partie, y compris ses distributeurs ou revendeurs autorisés, à offrir toute autre garantie au nom de Detail K2 Inc.

## **LES NUMÉROS DE SÉRIE DOIVENT ÊTRE ENREGISTRÉS EN LIGNE SUR WWW.DK2POWER.COM, GARANTIE NON TRANSFÉRABLE.**

MOTEURS KOHLER® – MOTEURS KOHLER CH SERIES GARANTIE COMMERCIALE 3 ANS PIÈCES ET MAIN-D'ŒUVRE  
MOTEURS KOHLER® – MOTEURS KOHLER DE LA SÉRIE SH GARANTIE RÉSIDENIELLE DE 2 ANS PIÈCES ET MAIN-D'ŒUVRE

Consultez votre manuel KOHLER® pour une garantie spécifique.

DK2–Pièces d'un an uniquement, pas de main-d'œuvre. Garantie commerciale KOHLER® de 2 ans.

## **CETTE GARANTIE NE COUVRE PAS OU NE S'APPLIQUE PAS À :**

- (a) Dommages au produit dus à une mauvaise utilisation, une mauvaise manipulation et un abus
- (b) Installation, entretien et stockage inappropriés
- (c) Les pièces d'usure telles que les écrous et les boulons, les goupilles et les ressorts, les composants de câblage et de commutation, les flexibles hydrauliques et raccords, dents de coupe, chaînes de coupe, lames de coupe, accélérateurs, courroies et pneus.
- (d) Usure normale
- (e) Dommages indirects et dommages indirects tels que les dommages aux personnes ou aux biens

## **PROCÉDURE POUR LA GARANTIE DE L'ÉQUIPEMENT DK2 D'EXTÉRIEUR**

Pendant la période de garantie d'un (1) an, l'acheteur du produit peut APPELER le **1 (888) 277-6960** ou nous contacter sur **www.DK2.com**. Informez-nous du défaut réclamé et fournissez une preuve d'achat originale. A ce moment la validité de la réclamation sera déterminée et si des pièces de rechange approuvées seront émises. Aucun produit retourné ne sera être accepté sous garantie à moins d'être accompagné d'un numéro RGA émis par Detail K2 Inc.

## **DOMMAGE CAUSÉ PAR LE TRANSPORTEUR**

Les dommages causés à votre produit par une mauvaise manipulation du transporteur ne sont PAS couverts par la garantie. Si votre déchet arrive endommagé, REFUSEZ-le. **Inspectez votre produit à son arrivée**, sinon si vous l'acceptez, vous serez responsable de déposer toute réclamation de dommage auprès de la société de livraison. La garantie DK2 exclut les dommages au produit.

## **RETOURS AVANT ESSENCE ET HUILE**

Suivez la politique de retour du revendeur auprès duquel vous avez acheté l'équipement.

## **RÉSOLUTION POUR UN PRODUIT DÉFECTUEUX APRÈS L'AJOUT D'ESSENCE ET HUILE.**

Appelez-nous au 1 (888) 277-6960 entre 8 h et 16 h du lundi au vendredi HNE.

# TABLE DES MATIÈRES

---

GARANTIE .....	37
TABLE DES MATIÈRES .....	38
SPÉCIFICATIONS TECHNIQUES .....	39
<b>SECTION I • SÉCURITÉ .....</b>	<b>40</b>
CONVENTIONS DE SÉCURITÉ .....	41
INFORMATIONS DE SÉCURITÉ IMPORTANTES .....	41
AUTOCOLLANTS DE SÉCURITÉ .....	42
<b>SECTION II • ASSEMBLAGE .....</b>	<b>47</b>
APERÇU DE L'ASSEMBLAGE .....	48
QUINCAILLERIE .....	50
ENS. DE RECUPERATEUR DE BÛCHES .....	51
ÉTAPE 1 : RÉSERVOIR ET MOTEUR .....	52
ÉTAPE 2 : ROUES .....	53
ÉTAPE 3 : TIMON .....	54
ÉTAPE 4 : SUPPORT DE POUTRE .....	55
ÉTAPE 5 : POUTRE .....	56
ÉTAPE 6 : LIGNE HYDRAULIQUE .....	57
ÉTAPE 7 : RECUPERATEUR DE BÛCHES .....	58
ÉTAPE 8 : VÉRIFICATION FINALE DE L'INSTALLATION .....	58
<b>SECTION III • FONCTIONNEMENT .....</b>	<b>59</b>
MODE D'EMPLOI .....	60
<b>SECTION IV • PIÈCES ET SCHÉMAS .....</b>	<b>64</b>
SCHÉMAS : RÉSERVOIR .....	65
SCHÉMAS : POUTRE .....	66
SCHÉMAS : TIMON .....	67
SCHÉMAS : SCHÉMA COMPLET .....	68
SCHEMATICS: COMPLETE PARTS LIST .....	70




# SPÉCIFICATIONS TECHNIQUES

<b>NUMÉRO DE MODÈLE</b>	<b>OPS232 (32 TONNES)</b>
<b>MOTEUR</b>	KOHLER® SH265 6,5 CV 196cm <sup>3</sup>
<b>LONGUEUR MAXIMALE DES BÛCHES</b>	25po (63,5cm)
<b>TEMPS DE CYCLE</b>	13 secondes
<b>CYLINDRE</b>	Ø4,5po x 24po course (Ø11,4cm x 61cm)
<b>POMPE À DEUX ÉTAGES</b>	15 GPM (56,8 LPM)
<b>COIN, ACIER TRAITÉ THERMIQUEMENT</b>	8,5po (21,6cm) hauteur
<b>POUTRE</b>	Plaque de base 8,5po (21,6cm)
<b>CAPACITÉ HYDRAULIQUE</b>	8,5 gallons (32,2 litres) max
<b>DIMENSIONS ASSEMBLÉES</b>	89,4po (L) x 51,2po (L) x 37,4po (H) 227cm (L) x 130cm (L) x 95cm (H)
<b>POIDS ASSEMBLÉ</b>	529,1lb (240kg)
<b>DIMENSIONS D'EXPÉDITION</b>	70,9po (L) x 31,5po (L) x 19,7po (H) 180cm (L) x 80cm (L) x 50cm (H)
<b>POIDS D'EXPÉDITION</b>	573,2lb (260kg)
<b>SOUPAPE</b>	Retour automatique avec détente réglable
<b>ROUES</b>	D.O.T. 16po (40,6cm) pneus de route DE (non remorquables sur autoroute et maximum 25mph (40km/h))
<b>COUPLEUR</b>	Boule 2po (5,08cm) avec chaînes de sécurité

# **SECTION I • SÉCURITÉ**












## CONVENTIONS DE SÉCURITÉ

-  **DANGER** : Indique une situation dangereuse qui, si elle n'est pas évitée, entraînera la mort ou blessure grave.
-  **AVERTISSEMENT** : Ceci indique une situation dangereuse qui, si elle n'est pas évitée, pourrait entraîner la mort ou des blessures graves.
-  **ATTENTION** : Ceci indique une situation dangereuse qui, si elle n'est pas évitée, peut entraîner des ou blessure modérée.

### INFORMATIONS SUPPLÉMENTAIRES ET CHANGEMENTS POTENTIELS

Nous nous réservons le droit d'interrompre, de modifier et d'améliorer nos produits à tout moment sans notification ou obligation à l'acheteur. Les descriptions et spécifications contenues dans ce manuel étaient en vigueur au moment de l'impression. L'équipement décrit dans ce manuel peut être en option. Certaines illustrations peuvent ne pas s'appliquer à votre équipement.

## INFORMATIONS DE SÉCURITÉ IMPORTANTES

-  **AVERTISSEMENT** : Lisez et comprenez le manuel d'utilisation complet avant l'assemblage ou l'utilisation de ce produit. Ne pas comprendre et respecter les avertissements, mises en garde et instructions de montage et d'utilisation peuvent créer des blessures graves ou mortelles. 
-  **AVERTISSEMENT** : Ne laissez jamais les enfants utiliser cet équipement. Ne permet pas à d'autres qui n'ont pas lu et compris le manuel d'utilisation complet pour faire fonctionner cet équipement. L'utilisation d'équipements puissants peut être dangereuse. Il est de la seule responsabilité de l'opérateur pour comprendre l'assemblage et le fonctionnement en toute sécurité de ce produit.
-  **DANGER : UTILISATION CONFORME**  
N'utilisez pas cette machine à d'autres fins que le fendage du bois, pour lequel elle a été conçue. Toute autre utilisation est non autorisée et peut entraîner des blessures graves ou la mort.
-  **DANGER : ÉQUIPEMENT DE PROTECTION INDIVIDUELLE**  
Lors de l'utilisation de cet équipement, il est essentiel que vous portiez des équipements, y compris des lunettes de protection ou des lunettes de sécurité, des chaussures à embout d'acier et des gants bien ajustés (pas de manchettes lâches ni de cordons de serrage). Portez toujours des bouchons pour oreilles ou des écouteurs assourdisants pour se protéger de la perte de l'ouïe lors de l'utilisation de cet équipement.    



**DANGER : SÉCURITÉ GÉNÉRALE**

Le non-respect des avertissements, des mises en garde, des instructions de montage et d'utilisation du manuel d'utilisation peut entraîner des blessures graves ou la mort.

**DANGER : LISEZ LE MANUEL D'INSTRUCTION AVANT L'UTILISATION**

- **Ne laissez jamais** les enfants utiliser cet équipement. Ne permettez pas aux autres qui n'ont pas lu et compris le manuel d'utilisation complet pour faire fonctionner cet équipement.
- Gardez toutes les personnes et les animaux domestiques à au moins 10 pieds (3.04m) de la zone de travail lorsque cet équipement est en fonction. Seul l'opérateur doit se trouver à proximité de l'équipement pendant son utilisation.
- **N'utilisez pas** l'équipement sous l'influence de l'alcool, de drogues ou médicament.
- **Ne laissez pas** une personne fatiguée ou affaiblie ou pas complètement alerte faire fonctionner cet équipement.

**DANGER : PRÉPARATION DE LA BÛCHE**

Les deux extrémités de la bûche doivent être coupées aussi carrées que possible pour empêcher la bûche de glisser hors de la fendeuse pendant le fonctionnement. Ne fendez pas de bûches de plus de 25 pouces (63.5cm) de longueur.

**DANGER : ZONE DE TRAVAIL**

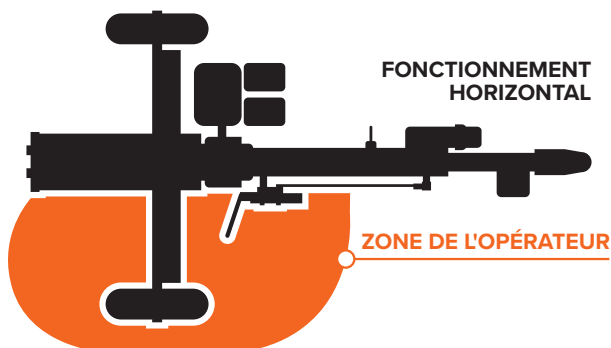
- **N'utilisez pas** l'équipement sur un sol glacé, mouillé, boueux ou autrement glissant. Utilisez UNIQUEMENT votre équipement sur un sol plat. **L'utilisation sur une pente peut entraîner l'équipement à se renverser ou les bûches à tomber de l'équipement, ce qui pourrait entraîner des blessures.**
- **N'utilisez pas** cet équipement dans un espace clos. Les gaz d'échappement du moteur contiennent du monoxyde de carbone qui peut être nocif ou mortel en cas d'inhalation.
- **Ne déplacez pas** l'équipement sur un terrain vallonné ou accidenté sans véhicule de remorquage ou aide adéquate.
- Utilisez une cale de pneu ou un bloc sur les roues pour empêcher le mouvement de l'équipement pendant le fonctionnement.
- Faites fonctionner l'équipement à la lumière du jour ou sous un bon éclairage artificiel.
- Gardez la zone de travail libre de tout encombrement. Retirez le bois fendu autour de la fendeuse de bûches immédiatement après chaque utilisation pour éviter les trébuchements potentiels.

## FONCTIONNEMENT DE LA FENDEUSE DE BÛCHES

Faites fonctionner la fendeuse depuis l'intérieur de la zone de fonctionnement comme indiqué dans les schémas ci-dessous. L'opérateur a l'accès le plus sûr et le plus efficace à la vanne de contrôle et à la poutre dans ces emplacements.



**DANGER : NE PAS FAIRE FONCTIONNER LA FENDEUSE DAND LA ZONE EN ORANGE CI-DESSOUS PEUT ENTRAÎNER DES BLESSURES GRAVES OU LA MORT.**



### DANGER

- Assurez-vous que l'opérateur sait comment arrêter et désengager les commandes avant en fonctionnement.
- Ne placez pas les mains ou les pieds entre la bûche et le coin de fendage pendant la marche avant ou
- Marche arrière. Des blessures graves ou la mort pourraient en résulter.
- Ne chevauchez pas ou n'enjambez pas la fendeuse de bûches pendant son fonctionnement.
- N'atteignez pas ou ne vous penchez pas au-dessus de la fendeuse de bûches pour ramasser une bûche.
- N'essayez pas de fendre deux bûches l'une sur l'autre.
- N'essayez pas de couper une bûche dans le sens inverse du veinage du bois.
- N'essayez pas de charger votre fendeuse de bûches lorsque le vérin ou le coin est en mouvement.
- Utilisez votre main pour actionner le levier de commande sur la vanne. N'utilisez pas votre pied, une corde ou tout dispositif d'extension.
- Ne déplacez pas la fendeuse de bûches pendant que le moteur tourne
- Ne laissez jamais l'équipement sans surveillance pendant que le moteur tourne. Éteignez-le moteur même si vous quittez la fendeuse de bûches pour une courte période de temps.
- Évitez tout contact avec le silencieux et les autres zones chaudes du moteur pendant le fonctionnement ou après avoir couru pour éviter les brûlures.



### AVERTISSEMENT : RÉPARATION ET ENTRETIEN

- N'utilisez pas la fendeuse de bûches lorsqu'elle est en mauvais état mécanique ou qu'elle a besoin d'être réparée. Vérifiez fréquemment que tous les écrous, boulons, vis, raccords hydrauliques et colliers de serrage sont serrés.
- Ne modifiez en aucune manière la fendeuse de bûches. Toute modification annulera la garantie et pourrait rendre la fendeuse de bûches dangereuse à utiliser. Effectuez

toutes les procédures d'entretien recommandées avant d'utiliser la fendeuse de bûches. Remplacer toutes pièces endommagées ou usées immédiatement.

- **Ne modifiez pas** le moteur pour le faire tourner à des vitesses excessives. La vitesse moteur maximal est pré réglée par le fabricant et se situe dans les limites de sécurité. Voir le manuel moteur KOHLER® pour plus d'informations.
- Retirez le fil de la bougie avant d'effectuer tout entretien ou réparation sur la fendeuse.
- **Vérifiez toujours le niveau d'huile hydraulique et d'huile moteur avant l'utilisation.**
- Les pièces de rechange doivent répondre aux spécifications du fabricant.



### ATTENTION : SÉCURITÉ HYDRAULIQUE

Le système hydraulique de la fendeuse de bûches nécessite une inspection minutieuse des parties mécaniques. Assurez-vous de remplacer tuyaux et composantes hydrauliques effilochés, pliés, fissurés ou autrement endommagé.

- **Vérifiez les fuites de liquide hydraulique** en passant un morceau de papier ou de carton en dessous ou sur la zone de la fuite. **Ne vérifiez pas les fuites avec votre main. Fluide qui s'échappe du plus petit trou, sous pression, peut avoir assez de force pour pénétrer dans la peau causant des blessures graves ou la mort.**
- **Consultez immédiatement un médecin si vous êtes blessé par une fuite hydraulique.** Une infection ou une réaction grave peut se développer si un traitement médical n'est pas administré immédiatement.
- Relâchez toute la pression en coupant le moteur et en déplaçant la poignée de commande de soupape d'avant en arrière s'il devient nécessaire de desserrer ou de retirer un raccord hydraulique.
- **Ne retirez pas** le bouchon du réservoir hydraulique ou du réservoir lorsque la fendeuse de bûches est course. Le réservoir pourrait contenir de l'huile chaude sous pression, ce qui pourrait entraîner de graves blessure.
- **Ne réglez pas** la vanne hydraulique. La soupape de surpression de la fendeuse de bûches est pré réglée à l'usine. **Seul un technicien de service qualifié doit effectuer ce réglage.**



### ATTENTION : PREVENTION INCENDIE

- **N'utilisez pas** la fendeuse de bûches à proximité d'une flamme nue ou d'une étincelle. Huile hydraulique et l'essence sont inflammables et peuvent exploser.
- **Ne remplissez pas** le réservoir d'essence lorsque le moteur est chaud ou en marche. Laisser refroidir le moteur avant de faire le plein.
- **Ne fumez pas** pendant le fonctionnement ou le ravitaillement en carburant de la fendeuse de bûches. Les vapeurs de gaz peuvent facilement exploser.
- Faites le plein de la fendeuse de bûches dans un endroit dégagé sans émanations d'essence ou d'essence renversé. Utilisez un réservoir de carburant approuvé. Remplacez le bouchon d'essence en toute sécurité. Si du gaz s'est renversé, déplacez la fendeuse loin de la zone du déversement et évitez de créer une source d'inflammation jusqu'à ce que l'essence renversée se soit évaporé.
- Gardez un extincteur de classe B à portée de main lorsque vous utilisez cette fendeuse de bûches dans des zones sèches par mesure de précaution contre d'éventuelles étincelles volantes.
- Vidangez le réservoir de carburant avant de le ranger pour éviter tout risque

d'incendie. Entreposez l'essence dans un contenant approuvé et hermétiquement fermé. Conserver le récipient dans un endroit frais et sec.

- Tournez le robinet d'arrêt de carburant sur le moteur à la position "OFF" avant de remorquer la fendeuse. Le non-respect de cette consigne peut entraîner un engorgement dans le carburateur du moteur.



### ATTENTION : REMARQUE IMPORTANTE

Cette fendeuse de bûches est équipée d'un moteur à combustion interne et ne doit pas être utilisée sur ou à proximité de tout terrain couvert de forêts, de broussailles ou d'herbe, à moins que le système d'échappement du moteur est équipé d'un pare-étincelles conforme aux exigences locales ou lois de l'État (le cas échéant). Si un pare-étincelles est utilisé, il doit être maintenu en bon état de fonctionnement par l'opérateur. Dans l'état de Californie, un pare-étincelles est requis par la loi. D'autres États ont des lois similaires. Les lois fédérales s'appliquent sur les terres fédérales. Un silencieux pare-étincelles est disponible en accessoire chez votre revendeur de moteurs le plus proche. Vérifiez toujours les exigences légales de votre région.



### ATTENTION : SÉCURITÉ DE REMORQUAGE

- Vérifiez toutes les réglementations locales et nationales concernant le remorquage, les licences et les feux, avant de remorquer votre fendeuse de bûches.
- Vérifiez avant le remorquage pour vous assurer que la fendeuse de bûches est correctement et solidement attaché au véhicule tracteur et que les chaînes de sécurité sont fixées à l'attelage ou pare-chocs du véhicule avec suffisamment de jeu pour permettre de tourner. Utilisez toujours une boule de classe 1, 2 po. avec cette fendeuse.
- **Ne transportez** aucune cargaison ou bois sur la fendeuse.
- **Ne permettez** à personne de s'asseoir ou de monter sur la fendeuse de bûches.
- Débranchez la fendeuse de bûches du véhicule tracteur avant de l'utiliser.
- Soyez prudent lorsque vous reculez avec la fendeuse de bûches en remorque pour éviter la mise en portefeuille. Autoriser pour longueur supplémentaire de la fendeuse de bûches lors des virages, du stationnement, du franchissement des intersections et dans toute situation de conduite.
- **Ne dépassez pas 25mph (40km/h) lors du remorquage de votre fendeuse de bûches.** Remorquage de la fendeuse de bûches à des vitesses supérieures à 25mph (40km/h) pourraient entraîner une perte de contrôle, des dommages à l'équipement, blessure grave ou mortelle. Ajustez la vitesse de remorquage en fonction du terrain et des conditions. Soyez extrêmement prudent lors du remorquage sur un terrain accidenté.



### PROPOSITION CALIFORNIENNE 65 AVERTISSEMENT

Les gaz d'échappement du moteur, certains de ses constituants et certains composants du produit contiennent ou émettent produits chimiques reconnus par l'État de Californie pour causer le cancer et des malformations congénitales ou d'autres atteinte à la reproduction.

## **SECTION II • ASSEMBLAGE**

# APERÇU DE L'ASSEMBLAGE

## LISTE DES OUTILS NÉCESSAIRES AU MONTAGE :

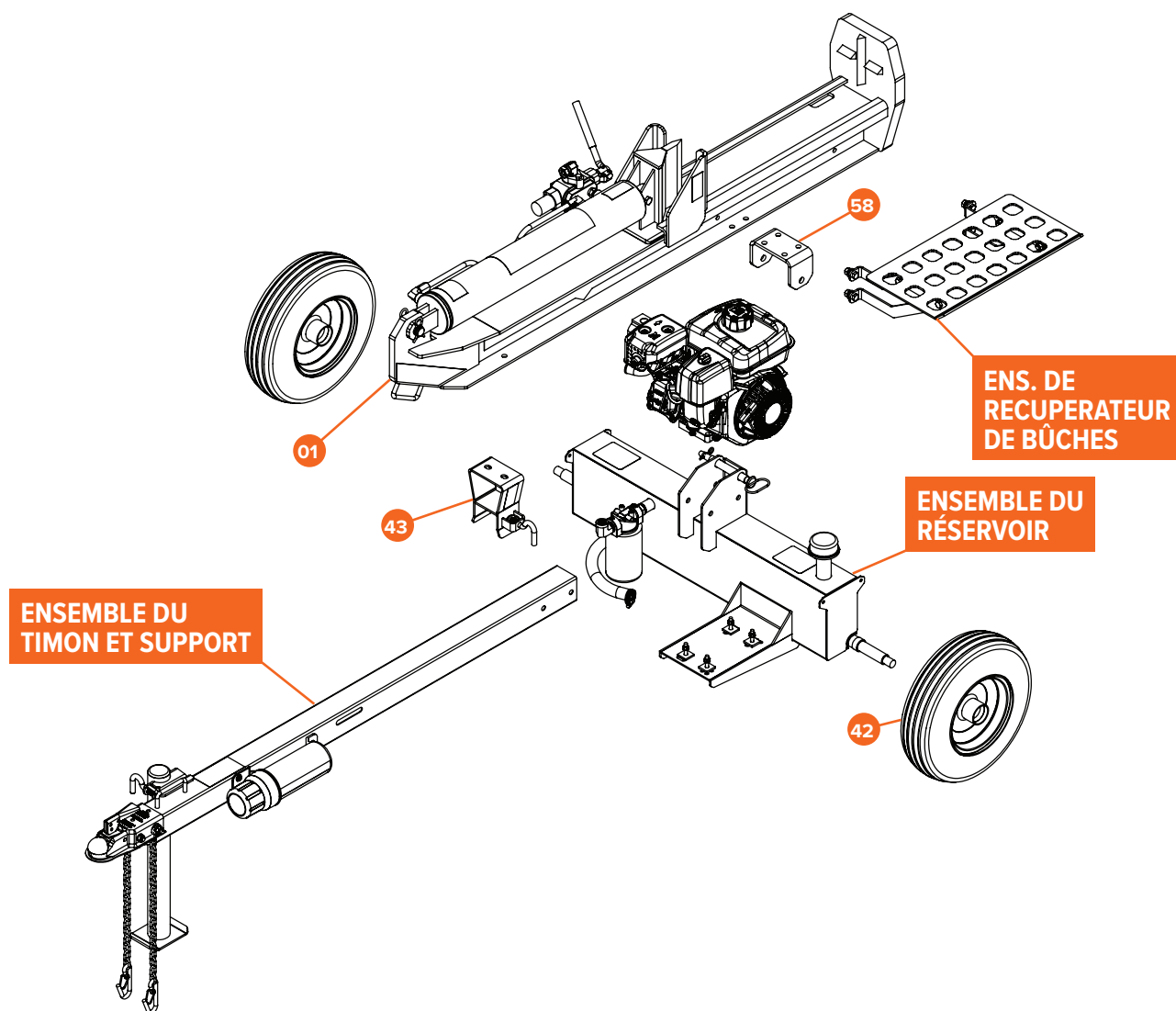
OUTIL #	DESCRIPTION
A	Un marteau
B	Pince à bec effilé
C	Exacto
D	Tournevis Phillips #2
E	Clé hexagonale de 6mm
F	Embout 8mm
G	Clé ou clé à douille 13mm
H	Clé ou clé à douille 17mm
I	Clé ou clé à douille de 19mm
J	Clés ou clé à douille de 22mm et 24mm
K	Clé à douille 28mm



### MISE EN GARDE

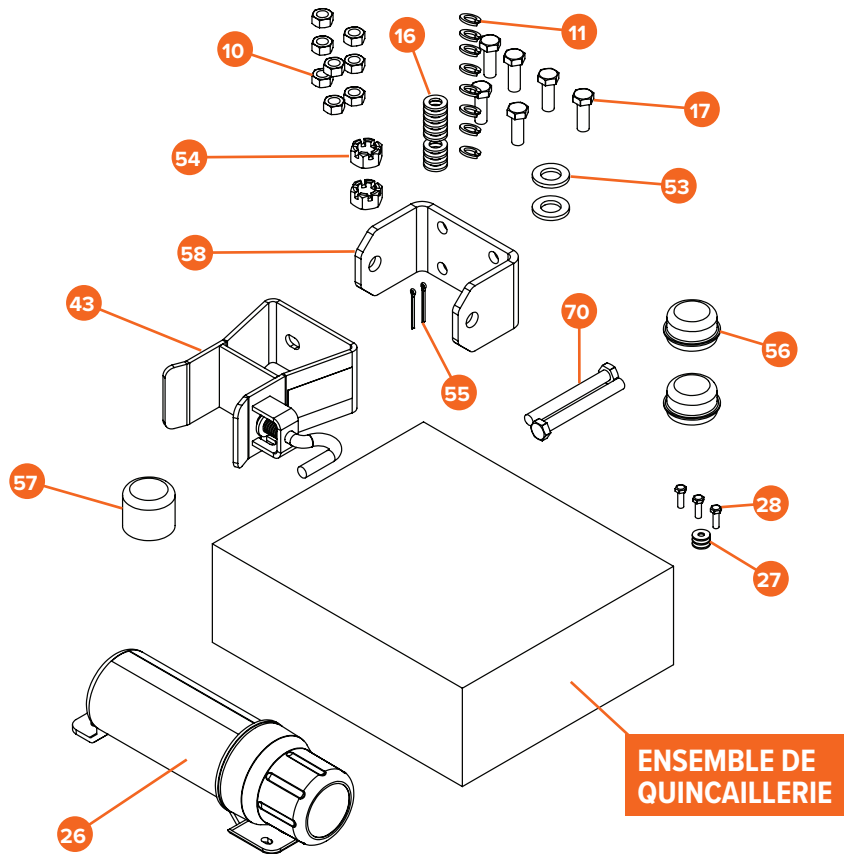
Sur les fendeuses de bûches pré remplies, **NE RETIREZ PAS** les embouts des tuyaux hydrauliques avant **ÉTAPE 6**.





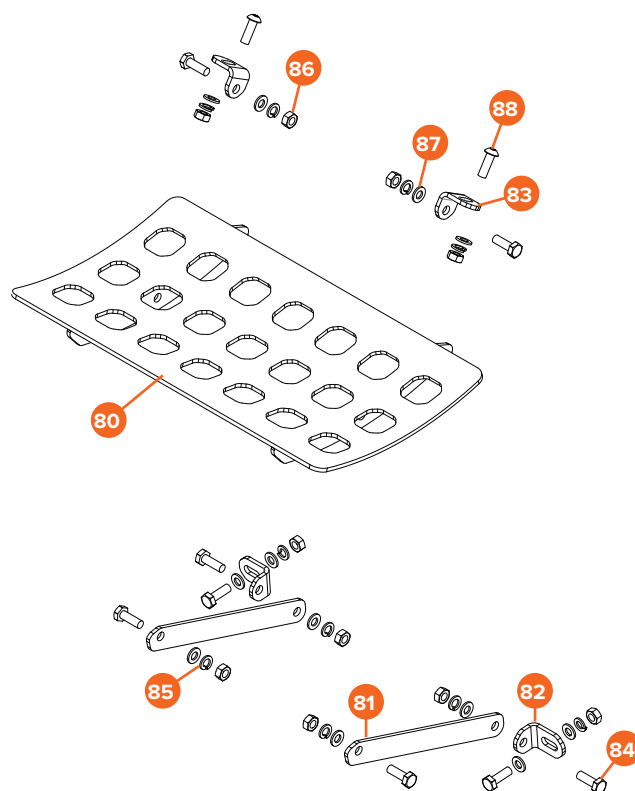
ITEM #	PIÈCE #	DESCRIPTION	SPÉCIFICATION	QTÉ.
01	OPS23201Y22	Poutre intégré		1
42	OPS23242Y22	Ensemble de roue	4,80 x 8	2
43	OPS23243Y22	Ensemble de verrouillage de poutre		1
58	OPS23258Y22	Plaque de pivot de poutre		1

# QUINCAILLERIE



ITEM #	PIÈCE #	DESCRIPTION	SPÉCIFICATION	QTÉ.
10	OPS23210Y22	Écrou hexagonal	G8,8, M12 x 1,75	8
11	OPS23211Y22	Rondelle de blocage	M12	8
16	OPS23216Y22	Rondelle plate	M12	10
17	OPS23217Y22	Boulon hexagonal	G8,8, M12 x 1,75 x 35mm	6
26	OPS23226Y22	Contenant manuelle		1
27	OPS23227Y22	Rondelle du garde-boue	M6	3
28	OPS23228Y22	Boulon hexagonal	G8,8, M6 x 1,0 x 20mm	3
43	OPS23243Y22	Ensemble de verrouillage de la poutre		1
53	OPS23253Y22	Rondelle plate	3/4po	2
54	OPS23254Y22	Goupille fendue	3/4-16, Clear Zinc	2
55	OPS23255Y22	Capuchon de moyeu	1/8po x 1-1/2po	2
56	OPS23256Y22	Outil pour capuchon de moyeu		2
57	OPS23257Y22	Plaque de pivot de poutre		1
58	OPS23258Y22	Boulon hexagonal		1
70	OPS23270Y22	Rondelle plate	G8,8, M12 x 1,75 x 110mm	2

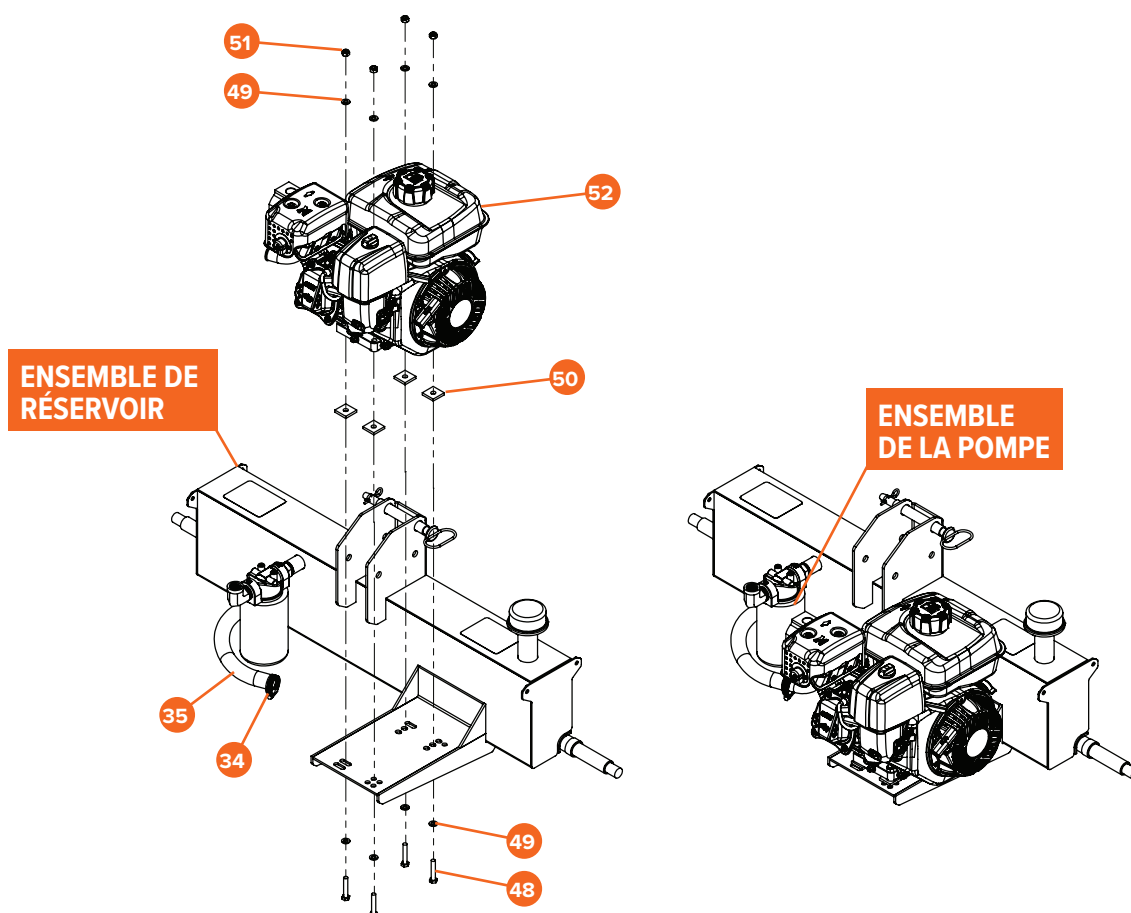
# ENS. DE RECUPERATEUR DE BÛCHES



ITEM #	PART #	DESCRIPTION	SPECIFICATION	QTY.
80	OPS23280Y22	Grille du récupérateur de bûches		1
81	OPS23281Y22	Plaque de support du récupérateur de bûches		2
82	OPS23282Y22	Support inférieur du récupérateur de bûches		2
83	OPS23283Y22	Support supérieur du récupérateur de bûches		2
84	OPS23284Y22	Boulon hexagonal	M10 x 1,5 x 30mm	8
85	OPS23285Y22	Rondelle de blocage	M10	10
86	OPS23286Y22	Écrou hexagonal	M10	10
87	OPS23287Y22	Rondelle plate	M10	12
88	OPS23288Y22	Vis à tête ronde	M10 x 1,5 x 30mm	2

# ÉTAPE 1 : RÉSERVOIR ET MOTEUR

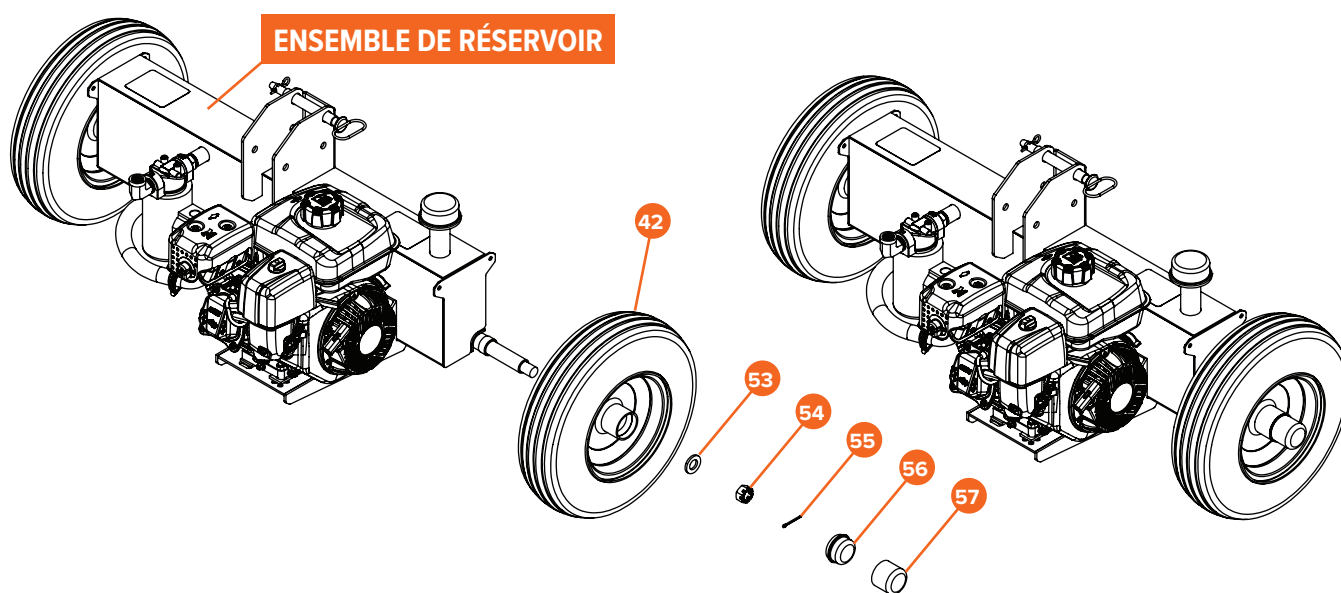
1. Retirez les boulons hexagonaux M8 x 1,25 x 45mm **(48)** de l'assemblage du réservoir.
2. Placez le moteur **(52)** sur l'assemblage du réservoir.
3. Fixez le moteur **(52)** sur l'assemblage du réservoir à 4 endroits avec des boulons hexagonaux M8 x 1,25 x 45mm **(48)**, Rondelle plate M8 **(49)** et écrou hexagonal Nylock M8 x 1,25 **(51)**.
4. Fixez le tuyau d'aspiration **(35)** à la pompe.
5. Fixez le tube de la conduite d'aspiration **(35)** à l'ensemble de la pompe avec le collier de serrage **(34)**.



ITEM #	PIÈCE #	DESCRIPTION	SPÉCIFICATION	QTÉ.
34	OPS23234Y22	Collier de serrage	15/16po à 1-1/4po	2
35	OPS23235Y22	Tube d'aspiration renforcé	Renforcement de fil métallique	1
48	OPS23248Y22	Boulon hexagonal	G8,8, M8 x 1,25 x 45mm	4
49	OPS23249Y22	Rondelle plate	M8	8
50	OPS23250Y22	Amortisseur en caoutchouc	B&S, LS	4
51	OPS23251Y22	Écrou hexagonal Nylock	G8,8, M8 x 1,25	4
52	OPS23252Y22	Moteur	KOHLER® SH265 6,5 CV 196cm <sup>3</sup>	1

## ÉTAPE 2 : ROUES

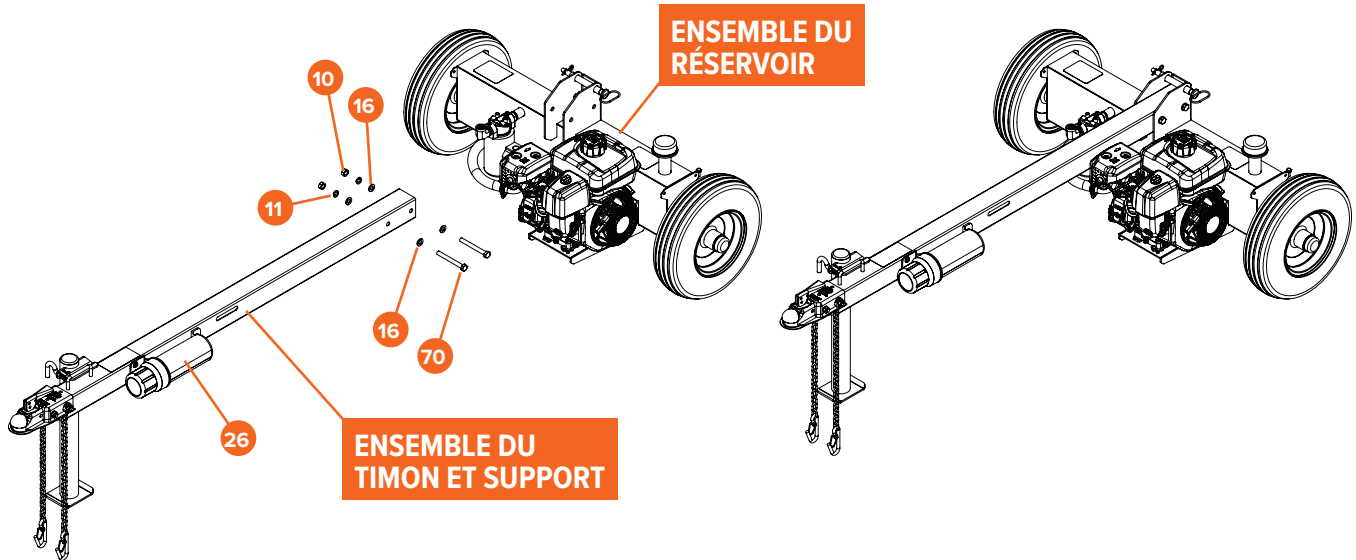
1. Retirez les couvercles d'essieu jetables et les couvercles de roulement de roue.
2. Faites glisser l'ensemble de roue (42) sur l'essieu avec la tige de valve du pneu tournée vers l'extérieur.
3. Installez la rondelle plate de 3/4 po (53) sur l'essieu.
4. Vissez l'écrou crénelé fendu 3/4-16 (54) sur la broche. L'écrou à créneaux doit être fixé avec une clé à douille de 28mm (K) suffisamment serrée pour éliminer le jeu libre du ensemble de roue et pas plus serré. Assurez-vous que les roues peuvent tourner librement. L'écrou dentelé 3/4-16 (54) doit être orienté pour permettre l'installation de la goupille fendue 1/8po x 1-1/2po (55).
5. Installez la goupille fendue 1/8po - 1-1/2po (55) à travers l'écrou crénelé 3/4-16 (54) et la broche. Plier la goupille se termine autour de la broche pour fixer sa position.
6. Installez le capuchon de moyeu (56) à l'aide de l'outil de capuchon de moyeu (57). Tapotez doucement sur l'outil d'enjoliveur avec un marteau pour enfoncer le chapeau de moyeu en place.
7. Répétez ces étapes pour installer la deuxième roue.



ITEM #	PIÈCE #	DESCRIPTION	SPÉCIFICATION	QTÉ.
42	OPS23242Y22	Ensemble de roue	4,80 x 8	2
53	OPS23253Y22	Rondelle plate	3/4po	2
54	OPS23254Y22	Écrou crénelé	3/4-16, Clear Zinc	2
55	OPS23255Y22	Goupille fendue	1/8po x 1-1/2po	2
56	OPS23256Y22	Capuchon de moyeu	4,80 x 8	2
57	OPS23257Y22	Outil pour capuchon de moyeu		1

## ÉTAPE 3 : TIMON

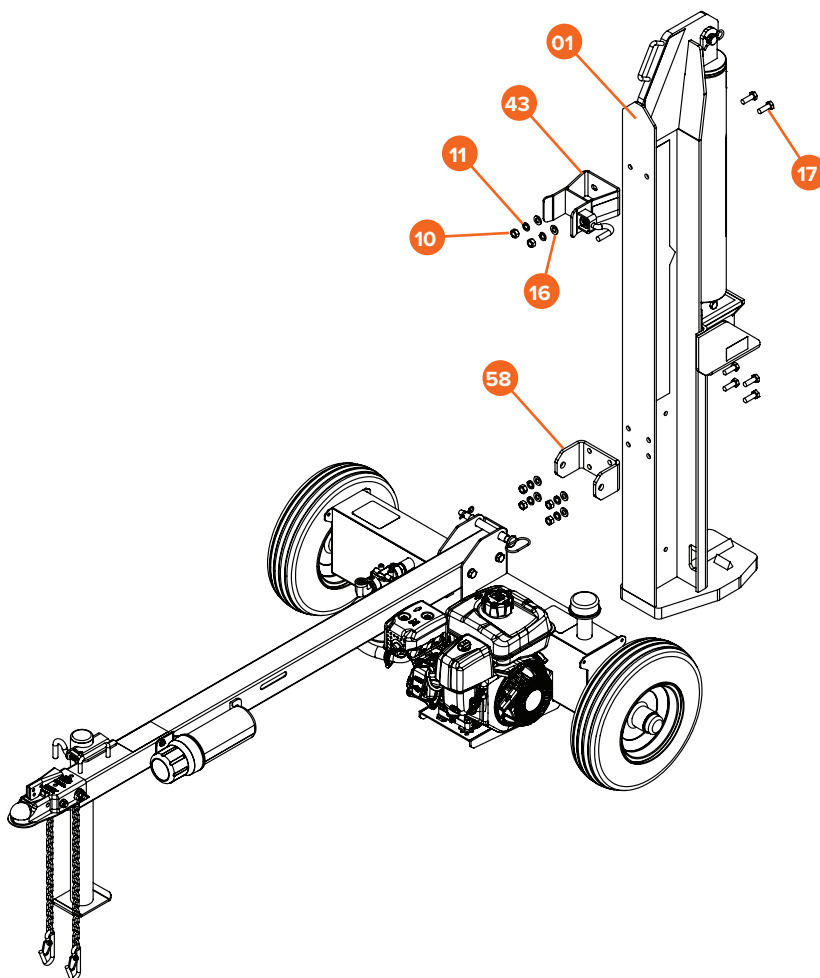
Fixez l'ensemble timon et support à l'ensemble réservoir avec un hexagone M12 x 1,75 x 1,10mm Boulon (70), Rondelle Plate de M12 (16), Rondelle de Verrouillage de M12 (11) et Écrou Hexagonal de M12 x 1,75mm (10) en deux des endroits. Serrez fermement à l'aide d'une clé à douille de 19mm (I).



ITEM #	PIÈCE #	DESCRIPTION	SPÉCIFICATION	QTÉ.
10	OPS23210Y22	Écrou hexagonal	G8,8, M12 x 1,75	2
11	OPS23211Y22	Rondelle de blocage	M12	2
16	OPS23216Y22	Rondelle plate	M12	2
26	OPS23226Y22	Contenant manuel		1
70	OPS23270Y22	Boulon hexagonal	G8,8, M12 x 1,75 x 110mm	2

## ÉTAPE 4 : SUPPORT DE POUTRE

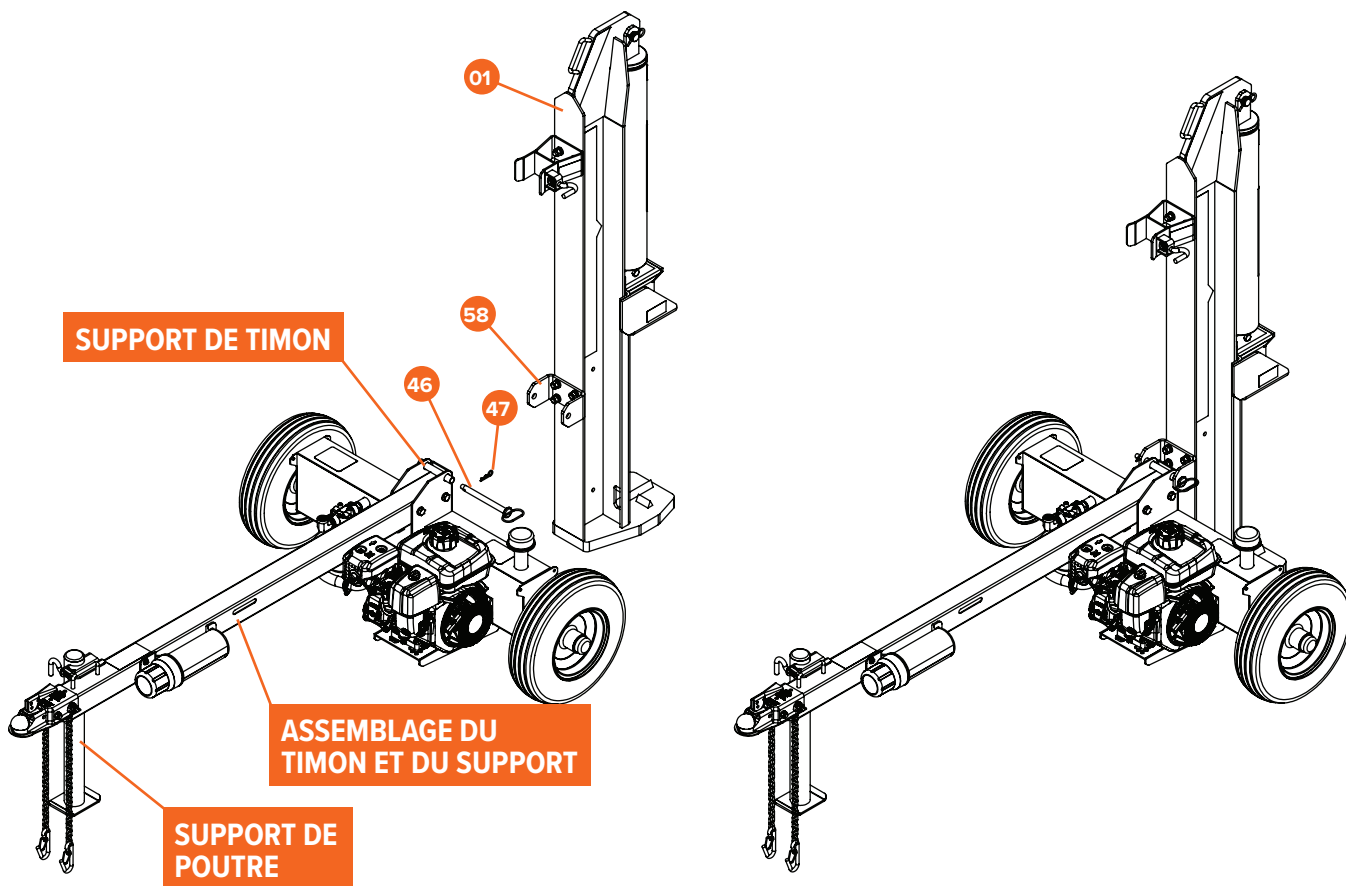
1. Fixez l'ensemble de verrouillage de poutre (**43**) à la poutre (**01**) avec M12 x 1,75 x 35mm Boulon Hexagonal (**17**), Rondelle Plate M12 (**16**), Rondelle de Verrouillage M12 (**11**), Écrou Hexagonal M12 x 1,75 (**10**) en deux des endroits. Serrez fermement à l'aide d'une clé à douille de 19mm (**I**).
2. Attachez la plaque de pivot du faisceau (**58**) au faisceau intégré (**01**) en utilisant les quatre trous inférieurs avec Boulon Hexagonal de M12 x 1,75 x 35mm (**17**), Rondelle Plate de M12 (**16**), Rondelle de Verrouillage de M12 (**11**), et M12 x 1,75 Écrou hexagonal (**10**) à quatre endroits. Serrez fermement à l'aide d'une clé à douille de 19mm (**I**).



ITEM #	PIÈCE #	DESCRIPTION	SPÉCIFICATION	QTÉ.
1	OPS23201Y22	Poutre intégré		1
10	OPS23210Y22	Écrou hexagonal	G8,8, M12 x 1,75	6
11	OPS23211Y22	Rondelle de blocage	M12	6
16	OPS23216Y22	Rondelle plate	M12	6
17	OPS23217Y22	Boulon hexagonal	G8,8, M12 x 1,75 x 35mm	6
43	OPS23243Y22	Ensemble de verrouillage de poutre		1
58	OPS23258Y22	Plaque de pivot de poutre		1

## ÉTAPE 5 : POUTRE

1. Faites pivoter le **support** fixé sur le côté de **l'ensemble du timon et support** vers le bas en place en relâchant la goupille, puis en fixant la goupille de déverrouillage.
2. Retirez l'attache en R de 1/8" (**47**) et la goupille d'attelage de 5/8" x 6-1/4" (**46**) de l'unité assemblée (comme indiqué ci-dessous).
3. Reculez lentement l'unité assemblée jusqu'à la poutre (**01**). Alignez le **support de timon** de l'unité assemblée à la plaque de pivot de poutre (**58**) de la poutre (**01**).
4. Une fois les supports alignés, installez la goupille d'attelage de 5/8" x 6-1/4" (**46**) à travers les supports. puis installez l'attache en R de 1/8" (**47**) dans la goupille d'attelage de 5/8" x 6-1/4" (**46**).



ITEM #	PIÈCE #	DESCRIPTION	SPÉCIFICATION	QTÉ.
01	OPS23201Y22	Poutre intégré		1
46	OPS23246Y22	Goupille d'attelage	5/8po x 6-1/4po	1
47	OPS23247Y22	Goupille R	1/8po (pour 1/2po à 3/4po)	1
58	OPS23258Y22	Plaque de pivot de poutre		1



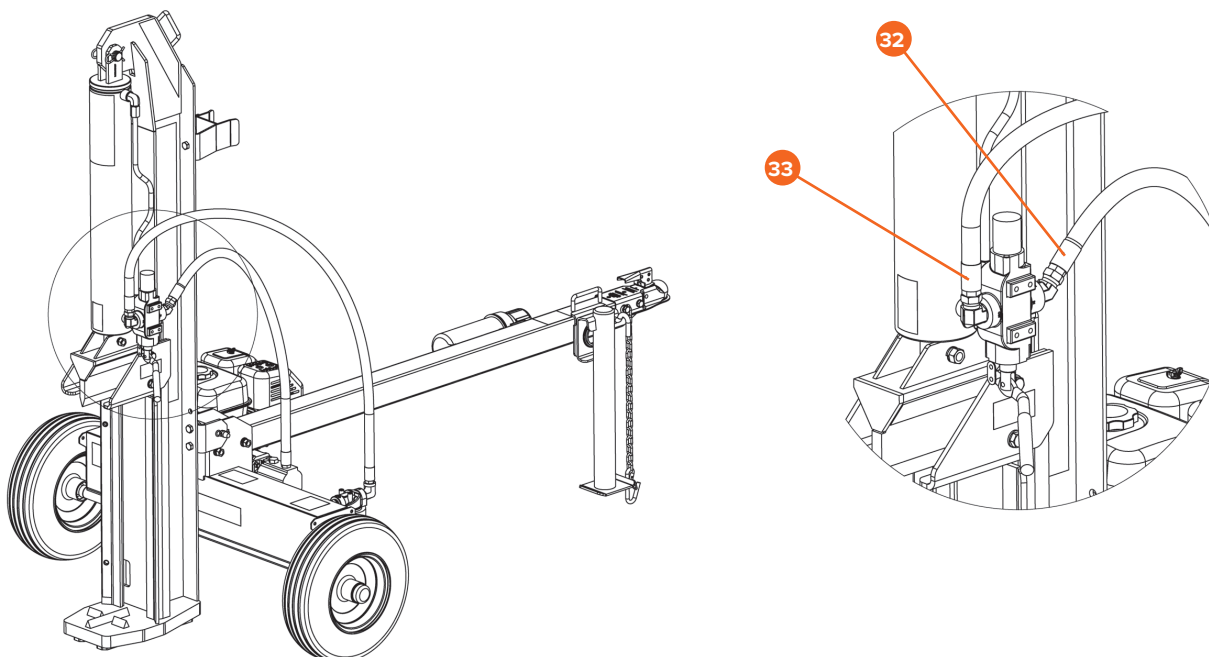
## ÉTAPE 6 : LIGNE HYDRAULIQUE



### ATTENTION

Sur les fendeuses pré remplies, maintenez les tuyaux au-dessus du niveau du réservoir hydraulique avant enlever les embouts.

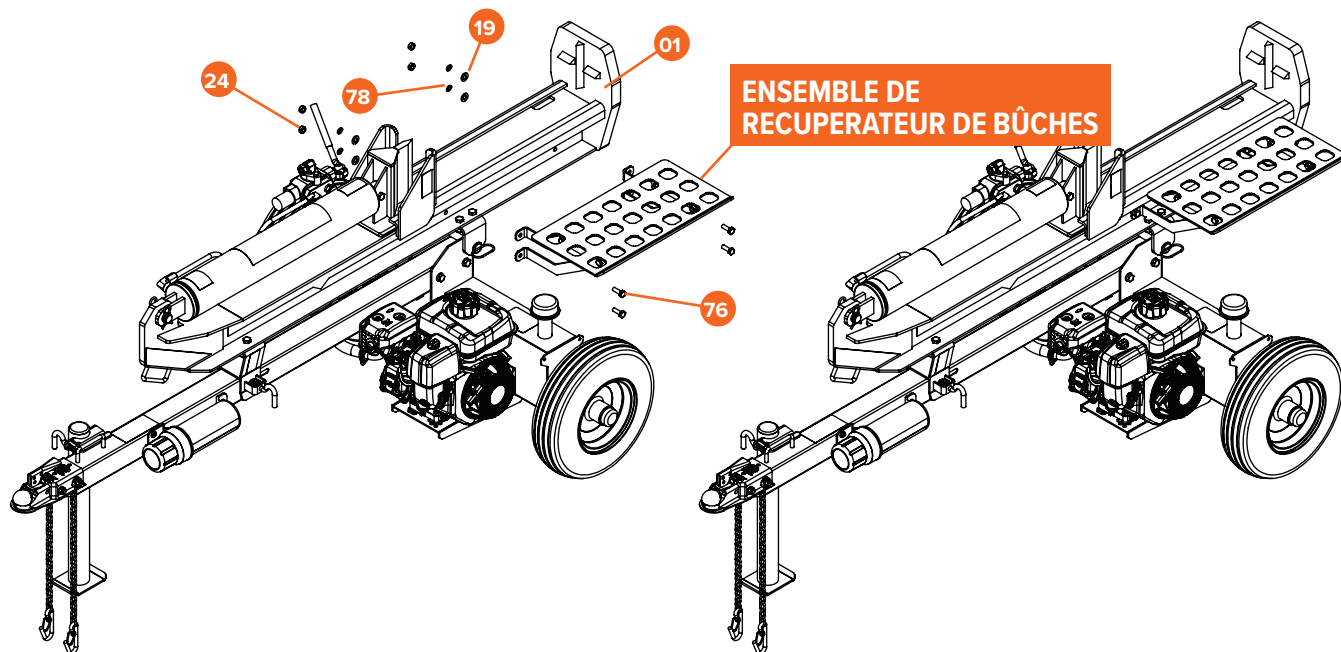
1. Maintenez les tuyaux flexibles hydrauliques **(32, 33)** au-dessus du niveau du réservoir hydraulique pour éviter les fuites de liquide et retirez les embouts.
2. Appliquez du ruban téflon sur les filetages des raccords de tuyau. Installez les extrémités des deux tuyaux flexibles hydrauliques **(32, 33)** à la vanne (comme indiqué sur le dessin détaillé). Bien serrer le raccords à l'aide de clés de 22mm et 24mm **(J)**.
3. Retirez le bouchon du réservoir et installez le bouchon d'évent.



ITEM #	PIÈCE #	DESCRIPTION	SPÉCIFICATION	QTÉ.
32	OPS23232Y22	Tuyau flexible hydraulique	1/2po x 38po	1
33	OPS23233Y22	Tuyau flexible hydraulique	1/2po x 56po	1

## ÉTAPE 7 : RECUPERATEUR DE BÛCHES

1. Faites pivoter la poutre **(01)** vers le bas à partir de la position verticale et verrouillez-le en place avec la goupille de dégagement.
2. Installez **L'Ensemble de récupérateur de bûches** avec des boulons hexagonaux M10 x 1,5 x 30mm **(84)**, des rondelles plates M10 **(19)**, des rondelles de blocage M10 **(85)** et des écrous hexagonaux de blocage M10 x 1,5 **(24)** à 2 endroits. Serrez fermement les écrous hexagonaux de blocage M10 x 1,5 **(24)** avec une clé à douille de 17mm **(H)** et serrez les vis à tête ronde M10 x 1,5 x 30mm **(88)** à l'aide de la clé hexagonale de 6mm **(E)**.



ITEM #	PIÈCE #	DESCRIPTION	SPÉCIFICATION	QTÉ.
01	OPS23201Y22	Poutre intégré		1
19	OPS23219Y22	Rondelle plate	M10	4
24	OPS23224Y22	Écrou hexagonal de blocage	G8,8, M10 x 1.5	4
84	OPS23284Y22	Boulon hexagonal	M10 x 1,5 x 30mm	8
85	OPS23285Y22	Rondelle de blocage	M10	10
88	OPS23288Y22	Vis à tête ronde	M10 x 1,5 x 30mm	2

## ÉTAPE 8 : VÉRIFICATION FINALE DE L'INSTALLATION

Vérifiez le serrage de tous les raccords, écrous et boulons avant de remplir la fendeuse de bûches avec des liquides.

## **SECTION III • FONCTIONNEMENT**

## MODE D'EMPLOI



**DANGER : Lisez et comprenez le manuel d'utilisation complet avant d'assembler ou utiliser cet équipement ! Ne pas comprendre et respecter les avertissements, mises en garde et instructions de montage et d'utilisation peut entraîner des blessures graves ou la mort.**



**DANGER : Ne laissez** jamais les enfants utiliser cet équipement.



**DANGER : Ne permettez** pas à d'autres personnes qui n'ont pas lu et compris l'intégralité du manuel d'utilisation de cet équipement. L'utilisation d'équipements peut être dangereuse. Il est la seule responsabilité de l'opérateur de comprendre l'assemblage et le fonctionnement en toute sécurité de cet équipement.



**ATTENTION : De l'huile doit être ajoutée au réservoir hydraulique et au moteur avant de démarrer ou d'utiliser**

**ÉTAPE 1 :** Veuillez ajouter environ 4 gallons de liquide hydraulique. Le liquide hydraulique restant sera ajouté après le cycle du cylindre. L'huile hydraulique AW32 ou AW46 est conseillé. Le liquide de transmission automatique peut remplacer l'huile hydraulique lorsque les températures sont inférieures à 32 °F. N'utilisez que de l'huile propre et veillez à ce que la saleté ne entre dans le réservoir hydraulique.

### RECOMMANDATIONS D'HUILE MOTEUR

Utilisez de l'huile détergente pour automobile 4 temps. SAE 10W-30 est recommandée pour une utilisation générale. Reportez-vous au tableau des grades de viscosité SAE dans le manuel du propriétaire de votre moteur pour la moyenne plages de température. Le constructeur du moteur recommande d'utiliser la catégorie API SERVICE Huile SE ou SF. La capacité d'huile moteur est de 20 oz. Pour l'OPS232. Vérifiez toujours les niveaux d'huile avant de démarrer le moteur et maintenez le niveau plein.

**ÉTAPE 2 :** Une fois le réservoir hydraulique et le carter du moteur remplis d'huile, démarrez le moteur. La pompe hydraulique est auto-amorçante. Avec le moteur en marche, déplacer le levier hydraulique de soupape vers le repose-pieds. Cela entraînera l'extension du cylindre et l'expulsion de l'air. Lorsque le vérin est complètement étendu, rétractez-le. Répétez cette procédure plusieurs fois. Un un mouvement erratique du cylindre indique qu'il y a encore de l'air dans le système. Ajouter environ 1,0 à 1,5 gallons de fluide hydraulique, 5 gallons s'enregistreront juste au-dessus de la ligne de remplissage supérieure sur la jauge. La capacité totale de l'ensemble du système hydraulique est de 8 gallons pour le OPS232 avec 6.5 gallons de liquide hydraulique étant le minimum requis pour fonctionner.

**REMARQUE :** Si le réservoir est trop rempli, il expulsera l'huile du reniflard lorsque le cylindre est rétracté. Faites à nouveau tourner le cylindre jusqu'à ce qu'il ait une vitesse constante qui indique que tout l'air a été expulsé.

## INSTRUCTIONS DE DÉMARRAGE

**REMARQUE :** Reportez-vous au manuel du propriétaire du moteur pour obtenir des informations complètes sur le démarrage, entretien et dépannage.

1. Ouvrir le levier du robinet de carburant en position ON.
2. Pour démarrer un moteur froid, placez le levier de l'étrangleur (choke) en position CLOSE. Pour redémarrer un chaud moteur, laissez le levier de l'étrangleur en position OUVERT.
3. Éloignez la manette des gaz de la position SLOW, environ 1/3 du chemin vers la position RAPIDE.
4. Tournez le commutateur du moteur sur la position ON.
5. Tirez sur la poignée de démarrage jusqu'à ce que vous sentiez une résistance, puis tirez vivement. Remettez la poignée de démarrage doucement.
6. Si le levier de l'étrangleur a été placé en position FERMÉ pour démarrer le moteur, déplacez-le progressivement vers la position OUVERT à mesure que le moteur se réchauffe.
7. Pour arrêter le moteur en cas d'urgence, tournez simplement l'interrupteur du moteur sur OFF. Dans des conditions normales, placez la manette des gaz sur la position SLOW et puis tournez le commutateur du moteur sur la position OFF. Tournez ensuite le levier du robinet de carburant sur ARRÊT.

Pour plus d'informations sur le démarrage et l'arrêt du moteur, reportez-vous à votre manuel du propriétaire.



**ATTENTION :** Tournez la vanne d'arrêt de carburant sur la position "OFF" avant le remorquage pour éviter de noyer le moteur.

**REMARQUE :** La vitesse maximale du moteur est pré réglée en usine à 3 600 tr/min comme vitesse à vide. L'accélérateur doit être réglé à la vitesse maximale pour que le fendage du bois atteigne la puissance requise pour la pompe.



### AVERTISSEMENT

Passez en revue les informations de sécurité relatives au fonctionnement de la fendeuse de bûches aux pages 41 à 44 de ce manuel. Assurez-vous d'avoir l'équipement de protection individuelle recommandé décrit à la page 41.

1. Installez la fendeuse à bois dans une zone dégagée et de niveau et bloquez les roues. Assurez-vous que le l'orifice d'aspiration sur le réservoir se trouve toujours sur le côté inférieur de la fendeuse de bûches.
2. Pour un fonctionnement horizontal, placez une bûche sur la poutre contre le repose-pieds. S'assurer la bûche est solidement fixée sur la plaque de pied et contre la poutre. Pour fendre le bois à la verticale position, relâchez la goupille sur le loquet de la poutre situé à l'extrémité avant de la poutre. Inclinez soigneusement la poutre vers le haut jusqu'à ce que la plaque de pied repose carrément sur le sol et que la fendeuse de bûches est stable. Placez la bûche sur la plaque de pied contre la poutre. Quand la poutre est remis en position horizontale assurez-vous que le loquet de la poutre est bien verrouillé vers le bas.
3. Lorsque le moteur tourne, appuyez sur la poignée de soupape pour que le cylindre s'entraîne le coin dans la bûche. Allongez le cylindre jusqu'à ce que la bûche se

fende ou jusqu'à la fin de sa course. Si la bûche ne s'est pas complètement fendue après que le cylindre ait atteint la fin de son extension, rétractez le cylindre.



#### **ATTENTION : IMPORTANT**

Laisser la vanne en position « ACTIONNER » à la fin de la course peut endommager le pompe. Faites toujours très attention lorsque vous fendez des bûches dont les extrémités ne sont pas carrées.



#### **ATTENTION : Conservez les manuels dans la boîte à outil attachée au timon de la fendeuse ou fichier dans un endroit sûr pour référence future.**



#### **AVERTISSEMENT : REMARQUE**

Pour une utilisation dans des zones boisées, procurez-vous un pare-étincelles pour le système d'échappement. Voir le manuel d'utilisation et d'entretien du moteur et vérifiez auprès de votre centre de service agréé. Voir aussi Prévention des incendies à la page 45 de ce manuel.

**IMPORTANT : Pour prolonger la durée de vie du vérin hydraulique, évitez de toucher le fond de la plaque de calage à la plaque de pied. Pour se conformer aux recommandations de sécurité de l'industrie, le coin s'arrête 1/2 pouces de la fin de la course.**



#### **AVERTISSEMENT : REMORQUAGE**

Cette fendeuse de bûches est équipée de pneumatiques, d'un coupleur de classe I (boule de 2po. de diamètre nécessaire) et des chaînes de sécurité. Avant le remorquage, les chaînes de sécurité doivent être fixées au l'attelage ou le pare-chocs du véhicule. Les réglementations locales doivent être vérifiées concernant les licences, feux, remorquage, etc. Tournez le robinet d'arrêt de carburant sur le moteur à la position "OFF" avant de remorquage. Le non-respect de cette consigne peut entraîner le noyage du carburateur du moteur. Ne dépassez pas 25mph (40 km/h) lorsque remorquer cette fendeuse de bûches. *Voir aussi Sécurité du remorquage à la page 46 de ce manuel.*

## **ENTRETIEN**

1. Consultez les instructions d'utilisation et d'entretien du fabricant du moteur pour l'entretien.
2. **Vérifiez toujours le niveau d'huile du réservoir hydraulique avant l'utilisation. Utilisation de la fendeuse sans une alimentation en huile adéquate causera de graves dommages à la pompe.**
3. Remplacez le filtre à huile après les 25 premières heures de fonctionnement. Puis après le premier changement changer le filtre à huile toutes les 100 heures ou de façon saisonnière, selon la première éventualité.
4. Pour vidanger l'huile hydraulique, desserrez le collier du tuyau provenant du raccord sur le fond du réservoir. Il est situé juste à droite du filtre à huile.
5. Si la cale métallique devient émoussée ou entaillé, il peut être retiré et affûté. Retirer le boulon qui relie la cale au cylindre. Le tuyau de la valve peut avoir besoin d'être retiré. Soulevez délicatement le cylindre pour permettre au coin de glisser vers l'avant. La cale peut maintenant être soulevée et affûté.
6. Nettoyez le bouchon du reniflard après 25 heures de fonctionnement. Nettoyez-le plus souvent lorsqu'il est utilisé dans conditions poussiéreuses. Pour nettoyer, retirez le bouchon

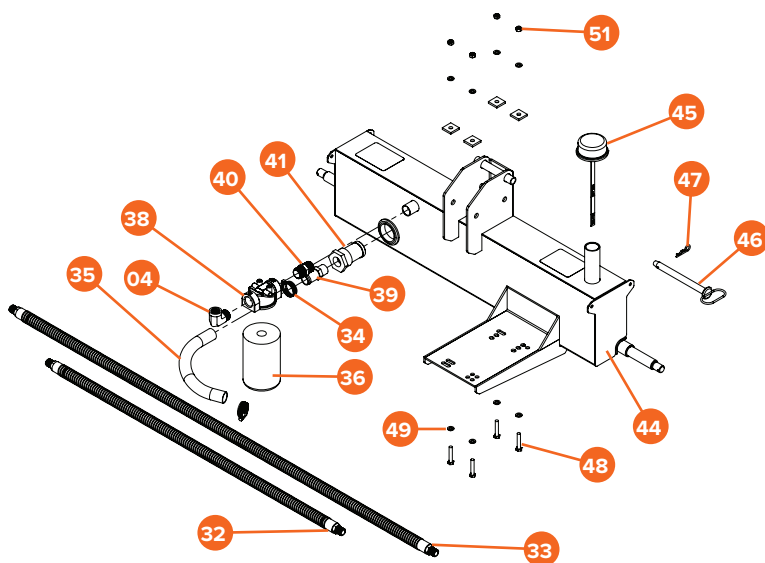
du reniflard du réservoir et rincez avec du kérosène ou détergent liquide pour enlever la saleté.

7. Voir Réparation et entretien à la page 44 de ce manuel.
8. Toutes les pièces de rechange doivent être conformes aux spécifications du fabricant.

## **SECTION IV • PIÈCES ET SCHÉMAS**

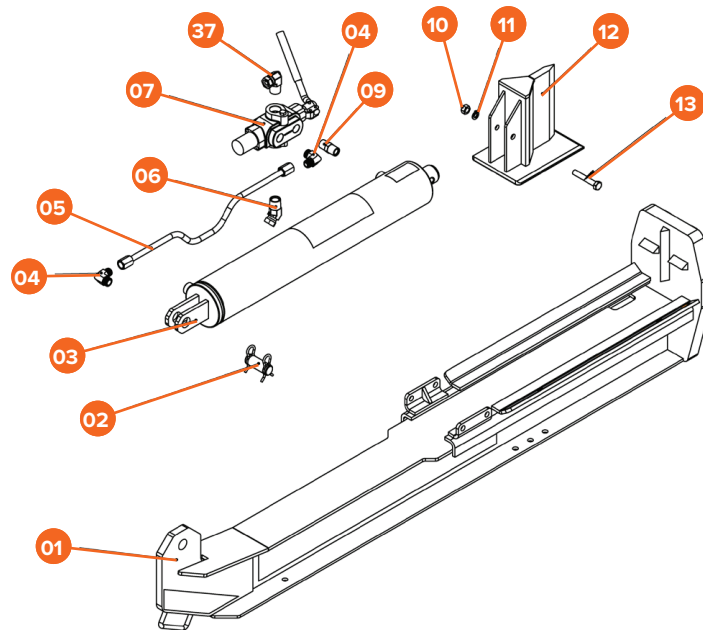


# SCHÉMAS : RÉSERVOIR



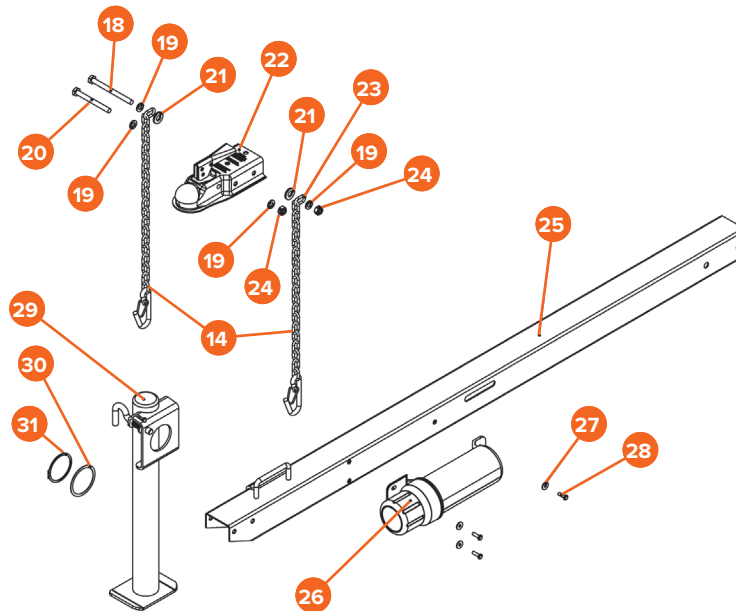
ITEM #	PIÈCE #	DESCRIPTION	SPÉCIFICATION	QTÉ.
04	OPS23204Y22	Raccord coudé	M 3/4 NPT, tube évasé 1/2	1
32	OPS23232Y22	Tuyau Flexible hydraulique	1/2po x 38po	1
33	OPS23233Y22	Tuyau Flexible hydraulique	1/2po x 56po	1
34	OPS23234Y22	Collier de serrage	15/16po à 1-1/4po	2
35	OPS23235Y22	Tube d'aspiration renforcé	Renforcement de fil métallique	1
36	OPS23236Y22	Filtre à huile	Papier pour hydraulique, générique	1
38	OPS23238Y22	Ensemble de base de filtre	3/4 NPT, 1-12 UNF	1
39	OPS23239Y22	Raccord droit	M 3/4 NPT, M 3/4 NPT	1
40	OPS23240Y22	Raccord droit	3/4 NPT à tube 1po	1
41	OPS23241Y22	Filtre d'aspiration	16 GPM	1
44	OPS23244Y22	Réservoir		1
45	OPS23245Y22	Capuchon d'aération	Réservoir SM	1
46	OPS23246Y22	Goupille d'attelage	5/8po x 6-1/4po	1
47	OPS23247Y22	Goupille - R	1/8po (pour 1/2po à 3/4po)	1
48	OPS23248Y22	Boulon hexagonal	G8,8, M8 x 1,25 x 45mm	4
49	OPS23249Y22	Rondelle plate	M8	8
51	OPS23251Y22	Écrou hexagonal Nylock	G8,8, M8 x 1,25	4

# SCHEMAS : POUTRE



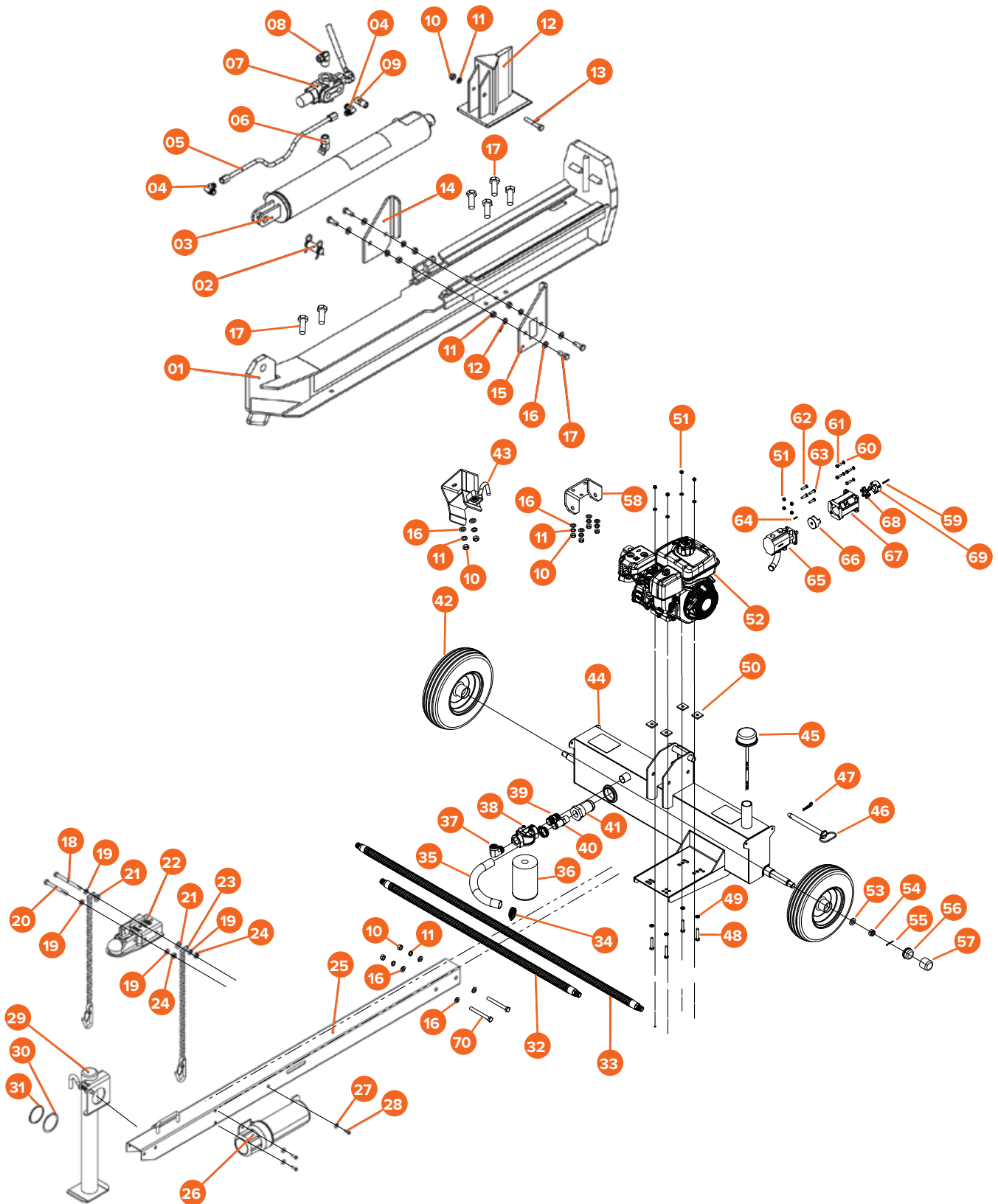
ITEM #	PIÈCE #	DESCRIPTION	SPÉCIFICATION	QTÉ.
01	OPS23201Y22	Poutre intégré		1
02	OPS23202Y22	Ensemble d'axe avec goupille	1po	1
03	OPS23203Y22	Vérin hydraulique	4,5po, F 1/2 NPT	1
04	OPS23204Y22	Raccord coudé	M 3/4 NPT, tube évasé 1/2	2
05	OPS23205Y22	Tube	1/2 DE, évasé, écrous 3/4-16	1
06	OPS23206Y22	Raccord	45°, M 3/4 NPT à F 1/2 NPT	1
07	OPS23207Y22	Soupape	4 000 PSI, détente réglable	1
09	OPS23209Y22	Raccord fileté	1/2 NPT, 1/2 NPT	1
10	OPS23210Y22	Écrou hexagonal	G8,8, M12 x 1,75	1
11	OPS23211Y22	Rondelle de blocage	M12	1
12	OPS23212Y22	Cale	8po	1
13	OPS23213Y22	Boulon hexagonal	M12 x 1.75 x 75mm	1
37	OPS23237Y22	Raccord coudé	M 3/4 NPT, F 1/2 NPT	1

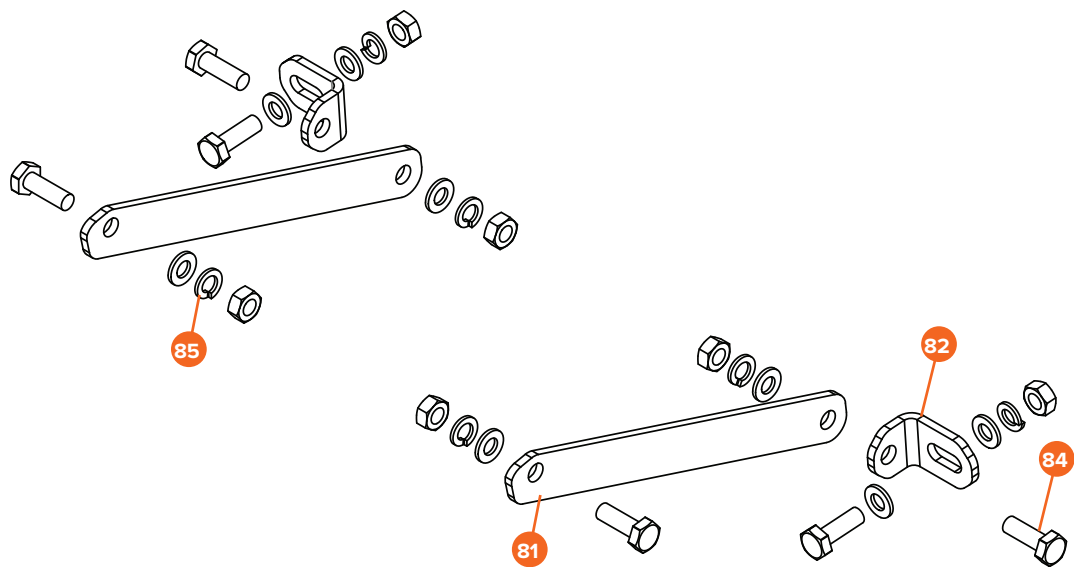
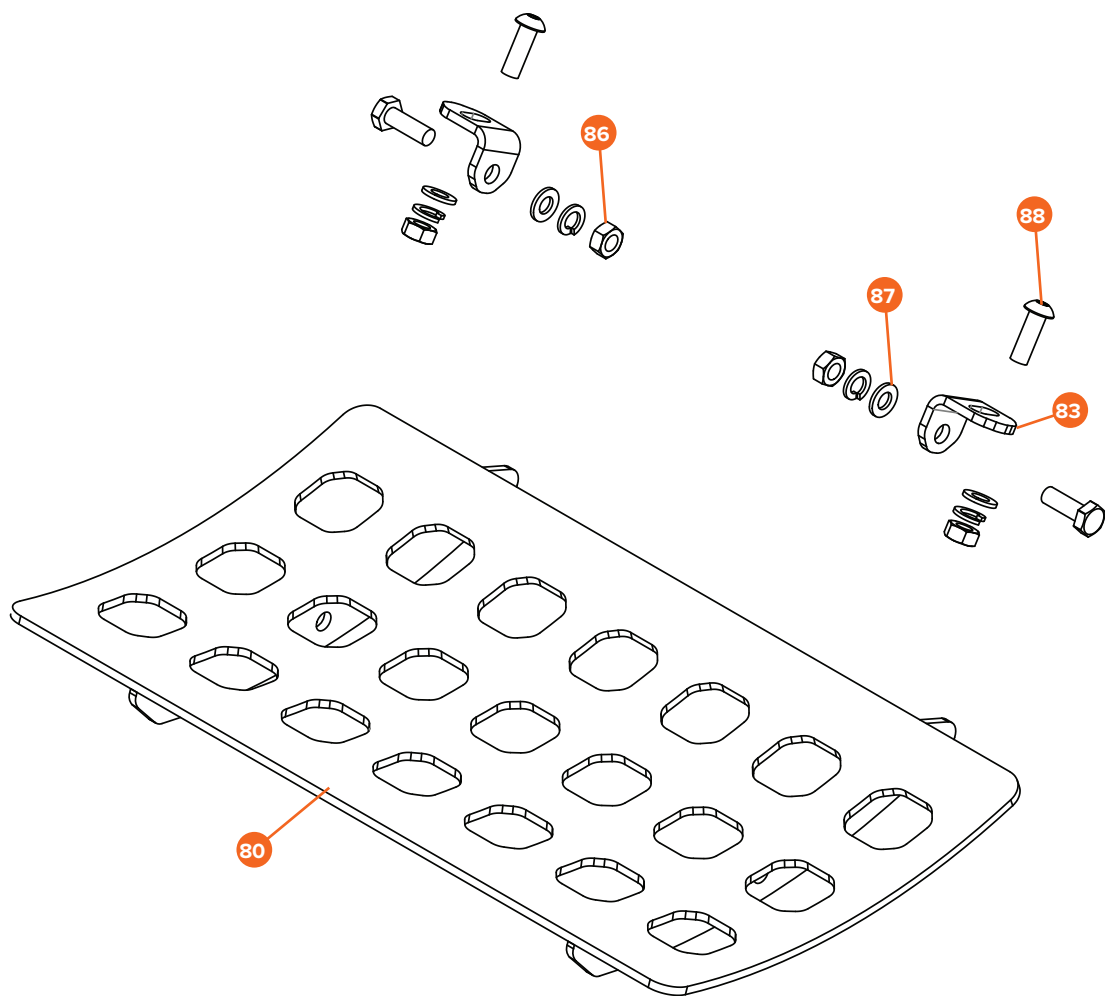
# SCHEMAS : TIMON



ITEM #	PIÈCE #	DESCRIPTION	SPÉCIFICATION	QTÉ.
14	OPS23223Y22	Chaîne de sécurité		2
18	OPS23218Y22	Boulon hexagonal	G8,8, M10 x 1,5 x 120mm	1
19	OPS23219Y22	Rondelle plate	M10	4
20	OPS23220Y22	Boulon hexagonal	G8,8, M10 x 1,5 x 100mm	1
21	OPS23221Y22	Rondelle plate	1/2po	2
22	OPS23222Y22	Attache du coupleur	2po	1
24	OPS23224Y22	Écrou hexagonal de blocage	G8,8, M10 x 1,5	2
25	OPS23225Y22	Timon		1
26	OPS23226Y22	Contenant manuelle		1
27	OPS23227Y22	Rondelle de garde-boue	M6	3
28	OPS23228Y22	Boulon hexagonal	G8,8, M6 x 1,0 x 20mm	3
29	OPS23229Y22	Support du timon		1
30	OPS23230Y22	Cale	DE 75mm, DI 64 mm x 1mm	1
31	OPS23231Y22	Anneau de retenue externe	63mm	1

# SCHÉMAS : SCHÉMA COMPLET






# SCHEMATICS: COMPLETE PARTS LIST

ITEM #	PIÈCE #	DESCRIPTION	SPÉCIFICATION	QTÉ.
1	OPS23201Y22	Poutre intégré		1
2	OPS23202Y22	Ensemble d'axe avec clips	1po	1
3	OPS23203Y22	Vérin hydraulique	4,5po, F 1/2 NPT	1
4	OPS23204Y22	Raccord coudé	M 3/4 NPT, tube évasé 1/2	2
5	OPS23205Y22	Tube	1/2 DE, évasé, écrous 3/4-16	1
6	OPS23206Y22	Raccord	45°, M 3/4 NPT à F 1/2 NPT	1
7	OPS23207Y22	Soupape	4 000 PSI, détente réglable	1
8	OPS23208Y22	Raccord coudé	M 3/4 NPT à F 1/2 NPT	1
9	OPS23209Y22	Raccord fileté	1/2 NPT, 1/2 NPT	1
10	OPS23210Y22	Écrou hexagonal	G8,8, M12 x 1,75	13
11	OPS23211Y22	Rondelle de blocage	M12	13
12	OPS23212Y22	Coin	8po	1
13	OPS23213Y22	Boulon hexagonal	M12 x 1,75 x 75mm	1
14	OPS23214Y22	Plaque de dénudage	Poutre SM, LT	1
15	OPS23215Y22	Plaque de dénudage	Poutre SM, RT	1
16	OPS23216Y22	Rondelle plate	M12	10
17	OPS23217Y22	Boulon hexagonal	G8,8, M12 x 1,75 x 35mm	10
18	OPS23218Y22	Boulon hexagonal	G8,8, M10 x 1,5 x 120mm	1
19	OPS23219Y22	Rondelle plate	M10	16
20	OPS23220Y22	Boulon hexagonal	G8,8, M10 x 1,5 x 100mm	1
21	OPS23221Y22	Rondelle plate	1/2po	1
22	OPS23222Y22	Attache du coupleur	2po	1
23	OPS23223Y22	Chaîne de sécurité		2
24	OPS23224Y22	Écrou hexagonal de blocage	G8,8, M10 x 1,5	2
25	OPS23225Y22	Timon		1
26	OPS23226Y22	Contenant manuelle		1
27	OPS23227Y22	Rondelle de garde-boue	M6	2
28	OPS23228Y22	Boulon hexagonal	G8,8, M6 x 1,0 x 20mm	2
29	OPS23229Y22	Support du Timon		1
30	OPS23230Y22	Cale	DE 75mm, DI 64mm x 1mm	1
31	OPS23231Y22	Anneau de retenue externe	63mm	1
32	OPS23232Y22	Tuyau Flexible hydraulique	1/2po x 38po	1
33	OPS23233Y22	Tuyau Flexible hydraulique	1/2po x 56po	1
34	OPS23234Y22	Collier de serrage	15/16po à 1-1/4po	2
35	OPS23235Y22	Fil de tube de conduite	Renforcé	1
36	OPS23236Y22	Filtre à huile	Papier générique	1
37	OPS23237Y22	Raccord coudé	M 3/4 NPT, F 1/2 NPT	1
38	OPS23238Y22	Ensemble de base de filtre	3/4 NPT, 1-12 UNF	1
39	OPS23239Y22	Raccord droit	M 3/4 NPT, M 3/4 NPT	1

ITEM #	PIÈCE #	DESCRIPTION	SPÉCIFICATION	QTÉ.
40	OPS23240Y22	Raccord droit	3/4 NPT à tube 1po	1
41	OPS23241Y22	Filtre d'aspiration	16 GPM	1
42	OPS23242Y22	Ensemble de roue	4.8 x 8	2
43	OPS23243Y22	Ensemble de verrouillage de poutre		1
44	OPS23244Y22	Réservoir		1
45	OPS23245Y22	Capuchon d'aération Réservoir	SM Tank	1
46	OPS23246Y22	Goupille d'attelage	5/8po x 6-1/4po	1
47	OPS23247Y22	Goupille R	1/8po (pour 1/2po à 3/4po)	1
48	OPS23248Y22	Boulon hexagonal	G8,8, M8 x 1,25 x 45mm	4
49	OPS23249Y22	Rondelle plate	M8	8
50	OPS23250Y22	Amortisseur en caoutchouc	B&S, LS	4
51	OPS23251Y22	Écrou hexagonal Nylock	G8,8, M8 x 1,25	8
52	OPS23252Y22	Moteur	KOHLER® SH265 6,5 CV 196cm3	1
53	OPS23253Y22	Rondelle plate	3/4po	2
54	OPS23254Y22	Écrou crénelé	3/4-16, zinc transparent	2
55	OPS23255Y22	Goupille fendue	1/8po x 1-1/2po	2
56	OPS23256Y22	Capuchon de moyeu	4,80 x 8	2
57	OPS23257Y22	Outil pour capuchon de moyeu		1
58	OPS23258Y22	Plaque de pivot de poutre		1
59	OPS23259Y22	Clé		1
60	OPS23260Y22	Rondelle de blocage	M8	4
61	OPS23261Y22	Boulon hexagonal	G8,8, 5/16po-24UNF x 1po	4
62	OPS23262Y22	Boulon hexagonal	G8,8, M8 x 1,25 x 30mm	2
63	OPS23263Y22	Boulon hexagonal	G8,8, M8 x 1,25 x 30mm	2
64	OPS23264Y22	Clé		1
65	OPS23265Y22	Pompe à 2 stages	15 GPM	1
66	OPS23266Y22	Coupleur à mâchoires alésage	1/2po Bore, L090	1
67	OPS23267Y22	Support de petite pompe	92mm BC	1
68	OPS23268Y22	Coupleur à mâchoires	L090	1
69	OPS23269Y22	Coupleur à mâchoires	3/4po Bore, L090	1
70	OPS23270Y22	Boulon hexagonal	G8,8, M12 x 1,75 x 110mm	2
80	OPS23280Y22	Grille du récupérateur de bûches		1
81	OPS23281Y22	Plaque de support du récupérateur de bûches		2
82	OPS23282Y22	Support inférieur du récupérateur de bûches		2
83	OPS23283Y22	Support supérieur du récupérateur de bûches		2
84	OPS23284Y22	Boulon hexagonal	M10 x 1,5 x 30mm	8
85	OPS23285Y22	Rondelle de blocage	M10	10
86	OPS23286Y22	Écrou hexagonal	M10	10
87	OPS23287Y22	Rondelle plate	M10	12
88	OPS23288Y22	Vis à tête ronde	M10 x 1,5 x 30mm	2

**DJ**  **POWER**