



# OPC566E

## 6 INCH KINETIC DRUM CHIPPER

D.O.T. TOWABLE • KINETIC DRUM • 14 HP KOHLER ENGINE

# USER MANUAL



### DK2 USA WEST

4301 S VALLEY VIEW BLVD.  
SUITE 10-11 LAS VEGAS, NEVADA  
89103 USA

### DK2 CORPORATE OFFICE

5330 MAINWAY  
BURLINGTON, ONTARIO  
L7L6A4 CANADA

### DK2 USA EAST

3750 SOUTH AVENUE,  
NORTH UNIT, TOLEDO, OHIO  
43615 USA

PARTS AND SERVICE 1 (888) 277-6960 | [WWW.DETAILK2.COM](http://WWW.DETAILK2.COM)



# TABLE OF CONTENTS

<b>SECTION I: ASSEMBLY</b> .....	<b>3</b>
STEP 1: INSPECT THE PACKAGING.....	4
STEP 2: PREPARATION .....	5
STEP 3: FEED CHUTE .....	6
STEP 4: WHEELS .....	7
STEP 5: AXLE .....	8
STEP 6: FRONT HITCH .....	9
STEP 7: FRONT AXLE SWING MOUNT .....	10
STEP 8: FRONT AXLE .....	11
STEP 9: TOW BAR .....	12
STEP 10: EXPULSION CHUTE .....	13
STEP 11: BATTERY .....	14
<b>SECTION II: SAFETY &amp; OPERATION</b> .....	<b>15</b>
SAFETY CONVENTIONS .....	16
SAFETY LABELS.....	17
YOUR KOHLER ENGINE .....	18
EMERGENCY STOP .....	19
SAFE PRACTICES & GENERAL INFORMATION .....	20
TECHNICAL SPECIFICATIONS.....	24
OPERATION GUIDELINES.....	25
MAINTENANCE .....	27
TROUBLESHOOTING .....	28
<b>SECTION III: PARTS &amp; SCHEMATICS</b> .....	<b>29</b>
SCHEMATICS .....	30
PARTS LIST .....	31
<b>WARRANTY</b> .....	<b>34</b>



**SECTION I**  
ASSEMBLY



## ASSEMBLY

### CHECK THE PACKAGING

#### STEP 1: INSPECT THE PACKAGING

Open and unpack all items. Leave lots of working space. Inspect all parts.

The Wood Chipper is shipped in a crate. Leave the sides folded down and use as your work space.

**NOTE:** Upon inspection of parts, if you find any damage or missing parts please call DK2 POWER at **1 (888) 277-6960** or contact us via our website at **[www.detailk2.com](http://www.detailk2.com)**. We will replace any damaged or missing parts to you for free. **Please do not return to the store.**

# ASSEMBLY

## STEP BY STEP INSTRUCTIONS



### STEP 2: PREPARATION

1. Slide the chipper body to hang off the side of the crate as shown below.
2. Have a helper tip the unit forward while you complete the next step.



EXTEND THE UNIT  
OFF THE CRATE.



## ASSEMBLY

### STEP-BY-STEP INSTRUCTIONS

#### STEP 3: FEED CHUTE

With a helper, slide the feed chute hinge pins into place, close and latch shut.



# ASSEMBLY

## STEP BY STEP INSTRUCTIONS



### STEP 4: WHEELS

1. Install the wheel, washer, nut and pin to the axle.
2. Wheels should spin freely.
3. Install end cap.
4. Repeat for the other wheel.





## ASSEMBLY

### STEP-BY-STEP INSTRUCTIONS

#### STEP 5: AXLE

1. Tip the unit forward with a helper as shown below.
2. Install the axle using the 2 bolts and hardware provided, and tighten.



2 BOLTS AND NUTS



# ASSEMBLY

## STEP BY STEP INSTRUCTIONS



ENGLISH

### STEP 6: FRONT HITCH



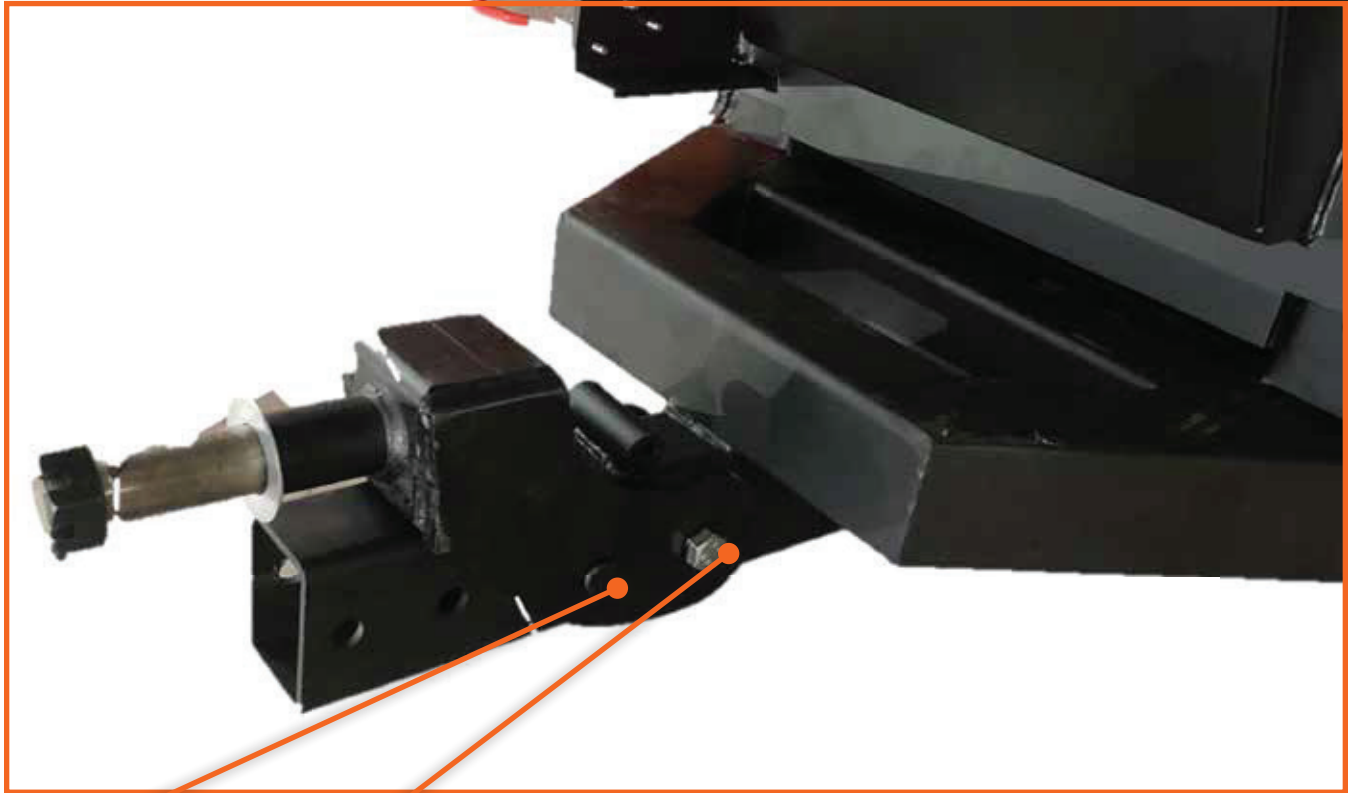
INSTALL THE FRONT HITCH ASSEMBLY  
USING THE 8 BOLTS AND HARDWARE  
PROVIDED, FASTEN TIGHTLY



# ASSEMBLY

## STEP-BY-STEP INSTRUCTIONS

### STEP 7: FRONT AXLE SWING MOUNT



PIN

BOLT

USE THE BOLT AND PIN  
HARDWARE PROVIDED  
AND PARTIALLY TIGHTEN  
TO ALLOW THE ASSEMBLY  
TO RAISE AND LOWER.

# ASSEMBLY

## STEP BY STEP INSTRUCTIONS



ENGLISH

### STEP 8: FRONT AXLE



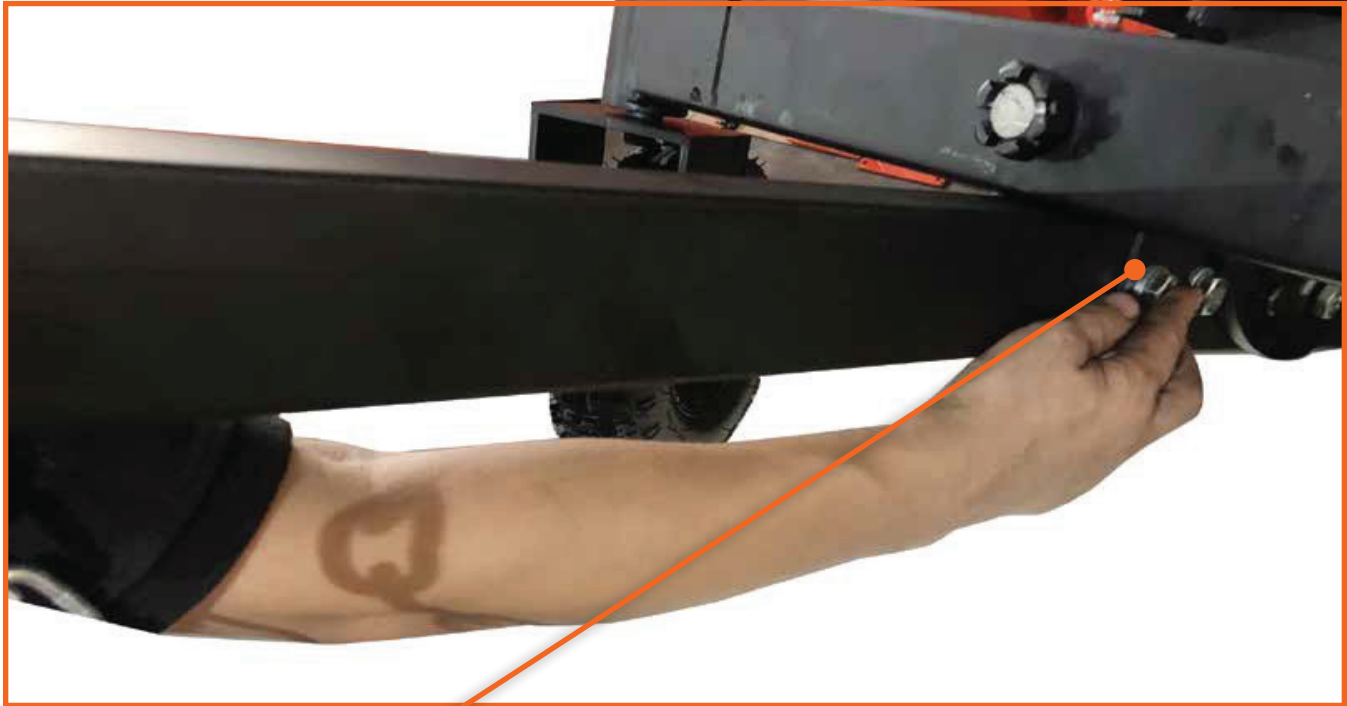
INSTALL THE FRONT AXLE AS SHOWN USING WASHER, NUT, THEN PIN



# ASSEMBLY

## STEP-BY-STEP INSTRUCTIONS

### STEP 9: TOW BAR



INSTALL THE TOW  
BAR USING THE 2  
BOLTS PROVIDED

# ASSEMBLY

## STEP BY STEP INSTRUCTIONS



### STEP 10: EXPULSION CHUTE



INSTALL THE EXPULSION CHUTE  
USING THE 4 BOLTS PROVIDED



## ASSEMBLY

### STEP-BY-STEP INSTRUCTIONS

#### STEP 11: BATTERY



SECURE THE BATTERY TO THE UNIT USING 2 BOLTS AND HARDWARE PROVIDED

CONNECT THE WIRING AS SHOWN

**⚠ CAUTION:** Be careful when connecting the battery wires. DO NOT make contact with your tools or any other conductive material to the metal frame when installing the positive (red) wire.



**SECTION II**  
SAFETY & OPERATION



# SAFETY & OPERATION

## SAFETY CONVENTIONS

### CONVENTIONS USED IN THIS MANUAL

**⚠ WARNING:** This indicates a hazardous situation, which, if not avoided, could result in death or serious injury.

**⚠ CAUTION:** This indicates a hazardous situation, which, if not avoided, could result in minor or moderate injury.

**⚠ NOTICE:** This information is important in proper use of your machine. Failure to follow this instruction could result in damage to your machine or property.

#### **ADDITIONAL INFORMATION AND POTENTIAL CHANGES**

We reserve the right to discontinue, change, and improve our products at any time without notice or obligation to the purchaser. The descriptions and specifications contained in this manual were in effect at printing. Equipment described within this manual may be optional. Some illustrations may not be applicable to your machine.



# SAFETY & OPERATION

## SAFETY LABELS



ENGLISH

### SAFETY LABELS FOUND ON YOUR UNIT



**ATTENTION / AVERTISSEMENT**

**ATTENTION / AVERTISSEMENT**

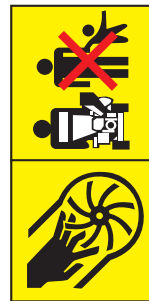
Les yeux et les parties du corps peuvent être atteints par les éclats de la batterie. Utilisez des lunettes de protection et évitez de regarder la batterie lorsqu'elle est ouverte.

Évitez de toucher les parties internes de la batterie. Les parties internes de la batterie peuvent être chaudes et provoquer des brûlures. Évitez de toucher les parties internes de la batterie.

Information:  
Pour plus d'informations, référez-vous à [www.phillips.com/usa/pdp](http://www.phillips.com/usa/pdp)

**A** DANGER - **NE PAS REGARDER LA BATTERIE LORSQU'ELLE EST OUVERTE.**

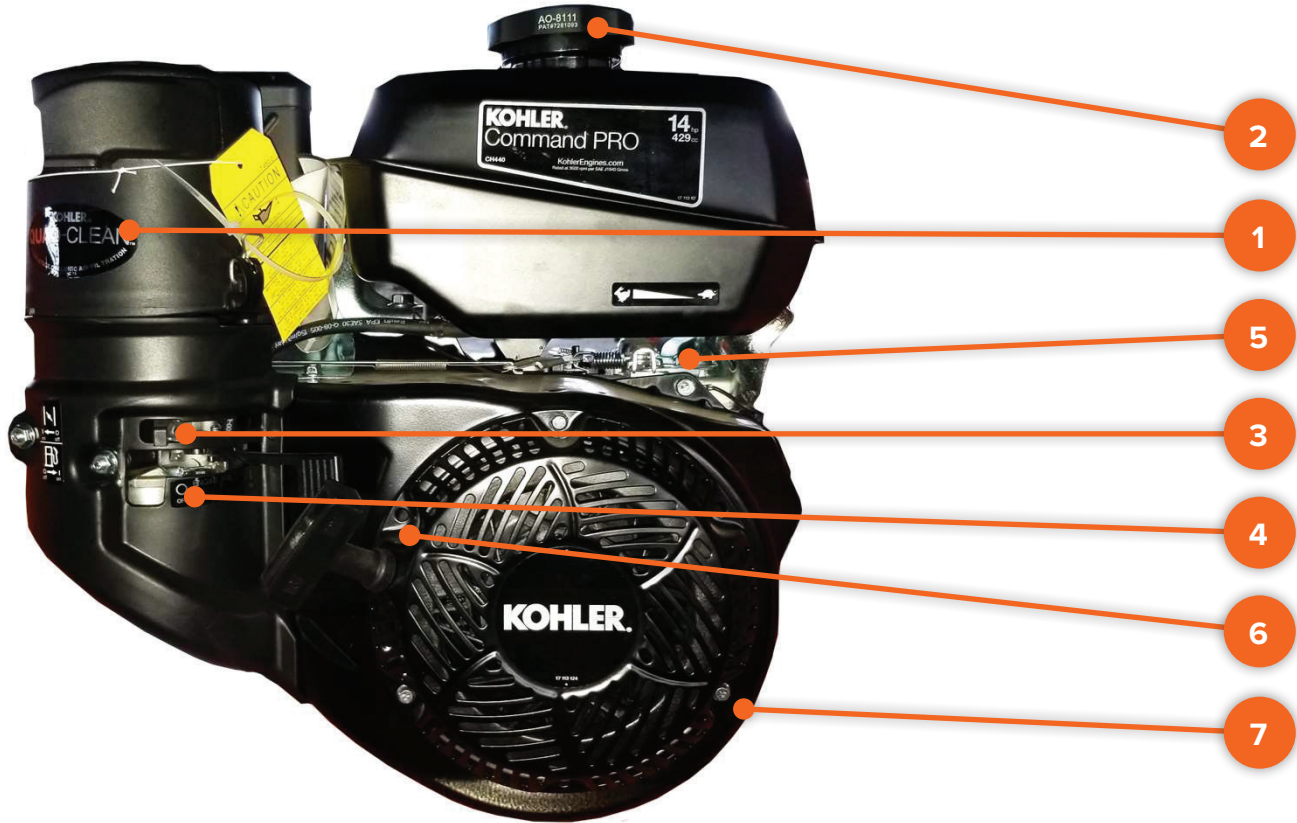
- 1 REMOVE COVER  
RETIREZ LE COUVERCLE
- 2 TURN COUNTER-CLOCKWISE  
TOURNEZ DANS LE SENS INVERSE DES AIGUILLES D'UNE MONTRE
- 3 TIGHTEN DRY CELL  
DÉROBET LE TAMBOUR





# SAFETY & OPERATION

## YOUR KOHLER ENGINE



1	Air Filter - Summer and Winter Positions
2	Choke - Left is On / Right is Off (Run Position)
3	Gas - Use Mid Grade or Higher
4	Gas On / Off Switch - Left is Off / Right is On
5	Throttle - Rabbit Fast / Turtle Slow
6	Pull Starter - Pull Tight - Then Pull Start
7	Oil - Fill to mark 10W30, will not start if oil is low, has low oil shutoff protection. Two yellow caps are oil fill caps, use either one to fill oil.

# SAFETY & OPERATION

## EMERGENCY STOP



- ⚠ WARNING:** Make sure the emergency stop wire is connected properly. If not, this may result in death or serious injury.

**⚠ WARNING: EMERGENCY STOP**  
**⚠ AVERTISSEMENT : ARRÊT D'URGENCE**

**(EN) Make sure the emergency stop wire is connected properly. If not, this may result in death or serious injury.**  
**(FR) Assurez-vous que le fil d'arrêt d'urgence est correctement connecté. Sinon, cela peut entraîner la mort ou des blessures graves.**

EMERGENCY SWITCH  
COMMUTATEUR D'ARRÊT  
D'URGENCE

EMERGENCY STOP WIRE  
CÂBLE D'ARRÊT D'URGENCE

- ⚠ WARNING:** Read this Safety & Operations section before you use the Wood Chipper. Become familiar with the operation and service recommendations to ensure the best performance of your machine.

- ⚠ CAUTION:** This machine is designed solely to chip wood and must not be used for any other purpose. It should only be used by trained operators who are familiar with the content of this manual. It is potentially hazardous to fit or use any parts other than DK2 OEM parts. The company disclaims all liability for the consequences of such use, which in addition voids the machine warranty.



## SAFETY & OPERATION

### SAFE PRACTICES & GENERAL INFORMATION

#### **⚠ NOTICE: BEFORE USING THE WOOD CHIPPER**

- Clear area of all people and property that could be damaged.
- Flying projectiles from operation can cause injury.
- Wear safety glasses, hearing protection, and gloves.
- Do not wear loose fitting clothes that could get stuck in the moving parts of the machine.
- Children should not run this equipment.
- Stay alert of your surroundings and persons that could appear in the area of operation.
- Operators must be fully trained before using this machine.
- User manual is read and understood.
- Machine is positioned on level ground; all guards are fitted and in good condition.
- Blade is in good condition and secure.
- All fasteners are checked for tightness.
- Only wooden materials, free of nails etc. are to be fed into this machine.
- Emergency stop wire is correctly connected and the switch is functional.
- Fire extinguisher is available on site.

#### **⚠ NOTICE: WHEN USING THE WOOD CHIPPER**

- Always feed standing from the side of the feed chute.
- It is better to have a second trained operator within easy reach of the machine.
- Maintain strict discipline at all times and service the machine at specified periods.
- Be aware of the expulsion chute direction and if necessary, be aware of the wind direction as well to prevent debris from being blown or where it could affect bystanders.
- DO NOT put any part of your body into the in-feed chute while the machine is running.
- DO NOT operate the machine while under the influence of alcohol or drugs.
- DO NOT operate inside a building or confined space.
- DO NOT climb on the machine.

# SAFETY & OPERATION

## SAFE PRACTICES & GENERAL INFORMATION



### **⚠ WARNING: PROTECTING YOURSELF AND THOSE AROUND YOU**

This is a powerful machine, with moving parts operating with high energy. You must operate the machine safely. Unsafe operation can create several hazards for you, as well as anyone else in the nearby area. Always take the following precautions when using this machine.

- Keep in mind that the operator or user is responsible for accidents or hazards occurring to other people, their property, and themselves.
- Always wear protective goggles or safety glasses with side shields while using the Wood Chipper to protect your eyes from possible thrown debris.
- Avoid wearing loose clothing or jewelry, which can get caught on moving parts and can cause serious injury.
- We recommend wearing gloves while using the Wood Chipper. Be sure your gloves fit properly and do not have loose cuffs or drawstrings.
- Wear shoes with non-slip treads during operation. If you have safety footwear, we recommend wearing them. Do not use the machine while barefoot or wearing open-toed footwear.
- Wear long pants while operating the Wood Chipper.
- Always keep bystanders at least 50 feet away from your work area. Stop the engine when a bystander or pet approaches.

### **⚠ WARNING: SAFETY FOR CHILDREN AND PETS**

Tragic accidents can occur if the operator is not alert to the presence of children and pets. Children are often attracted to the machine and the chipping activity. Never assume that children will remain where you last saw them. Always follow these precautions.

- Keep children and pets at least 50 feet from the working area and ensure they are under the watchful care of a responsible adult.
- Be alert and turn the machine off if children or pets enter the work area.
- Never allow children to operate the Wood Chipper.



## SAFETY & OPERATION

### SAFE PRACTICES & GENERAL INFORMATION

#### **⚠ WARNING: SAFETY WITH GASOLINE**

Gasoline is a highly flammable liquid. Gasoline also gives off a flammable vapor that can be easily ignited and cause a fire or explosion. Never overlook the hazards of gasoline. Always follow these precautions.

- Never run the engine in an enclosed area or without proper ventilation as the exhaust from the engine contains carbon monoxide, which is an odorless, tasteless, and deadly poisonous gas.
- Store all fuel and oil in containers specifically designed and approved for this purpose and keep away from heat and open flame.
- Replace rubber fuel lines and grommets when worn or damaged and after 5 years of use.
- Fill the gasoline tank outdoors with the engine off and allow the engine to cool completely. Don't handle gasoline if you or anyone nearby is smoking, or if you're near anything that could cause it to ignite or explode. Reinstall the fuel tank cap and fuel container cap securely.
- If you spill gasoline, do not attempt to start the engine. Move the machine away from the area of the spill and avoid creating any source of ignition until the gas vapors have dissipated. Wipe up any spilled fuel to prevent a fire hazard and properly dispose of the waste.
- Allow the engine to cool completely before storing in any enclosure. Never store a machine that has gas in the tank, or a fuel container, near an open flame or spark such as a water heater, space heater, clothes dryer, or furnace.
- Never adjust or repair with the engine running. Shut down the engine, disconnect the spark plug wire, keeping it away from the spark plug to prevent accidental starting, wait 5 minutes before adjusting or repairing.
- Never tamper with the engine's governor setting. The governor controls the maximum safe operation speed and protects the engine. Over-speeding the engine is dangerous and will cause damage to the engine and to the other moving parts of the machine. If required, see your authorized dealer for engine governor adjustments.
- Keep combustible substances away from the engine while it is hot.
- Never cover the engine while the muffler is still hot.
- Do not operate the engine with the air cleaner or the carburetor air intake cover removed. Removal of such parts could create a fire hazard. Do not use flammable solutions to clean the air filter.
- The muffler and engine become very hot and can cause a severe burn; do not touch.

# SAFETY & OPERATION

## SAFE PRACTICES & GENERAL INFORMATION



### **⚠ WARNING: GENERAL SAFETY**

Operating this Wood Chipper safely is necessary to prevent or minimize the risk of death or serious injury. Unsafe operation can create several hazards for you. Always take the following precautions when operating.

- Your machine is a powerful tool, not a plaything. Exercise extreme caution always. The machine is designed to chip wood. Do not use it for any other purpose.
- Know how to stop the Wood Chipper quickly.
- Never operate your unit on a slippery, wet, muddy, or icy surface. Exercise caution to avoid slipping or falling.
- Never use the machine without ensuring that all guards and shields are in place.
- Never, under any conditions, remove, bend, cut, fit, weld, or otherwise alter standard parts on the Wood Chipper. This includes all shields and guards. Modifications to your machine could cause personal injuries and property damage and will void your warranty.
- If the machine starts to make an unusual noise or vibrate, shut down the engine, disconnect the spark plug wire, keeping it away from the spark plug to prevent accidental starting, wait 5 minutes for the engine to cool down, then inspect for damage. Vibration is generally a warning of trouble. Check damaged parts and clean, repair and/or replace as necessary.
- Never tamper with safety devices. Check their proper operation regularly.
- Before performing any maintenance or inspection procedure, shut down the engine, disconnect the spark plug wire keeping it away from the spark plug to prevent accidental starting, wait 5 minutes for machine to cool down.
- Never allow people who are unfamiliar with these instructions to use the machine. Allow only responsible individuals who are familiar with these rules of safe operation to use your machine.
- Never overload or attempt to chip wood beyond the manufacturer's recommendation. It could result in personal injury or damage to the machine.
- While using, don't hurry or take things for granted. When in doubt about the equipment or your surroundings stop the machine and take time to look things over.
- Never operate the machine when under the influence of alcohol, drugs, or medication.
- Use the machine only in daylight. Stay alert for hidden hazards.
- Keep all nuts and bolts tight and keep the equipment in good operating condition.

**NOTE:** List of warnings and cautions cannot be all-inclusive. If situations occur that are not covered by this manual, the operator must apply common sense and operate this Wood Chipper in a safe manner. Contact DK2 Customer Service for assistance or questions.



# SAFETY & OPERATION

## TECHNICAL SPECIFICATIONS

### TECHNICAL SPECIFICATIONS

<b>ENGINE</b>	14 HP 4-Stroke
<b>POWER</b>	Gasoline
<b>CHIPPING CAPACITY</b>	14 in. 35.6 cm
<b>WOOD DIAMETER</b>	12
<b>CHIPPER BLADE</b>	Dual Reversible
<b>TIRE</b>	16*6.5-8
<b>DIMENSIONS</b>	105" (L) x 47" (W) x 55" (H) 266.7 cm (L) x 119.4 cm (W) x 139.7 cm (H)
<b>ASSEMBLED WEIGHT</b>	551 lb 250 kg
<b>SHIPPING WEIGHT</b>	617 lb 280 kg
<b>ROLLER MAX RPM</b>	2000



# SAFETY & OPERATION

## OPERATION GUIDELINES



### WARNING

1. Read and understand all instructions, safety precautions, and/or warnings listed in this manual before operating the Wood Chipper. If any doubt or question arises about the correct or safe method of performing anything found in this manual, please contact DK2 Customer Service at 1 (888) 277-6960.
2. When operating the Wood Chipper, make sure you are standing in the safe operating area (OPERATOR ZONE). Never place any part of your body into a position that causes an unsafe operating condition.
3. Before operating the Wood Chipper, always wear protective gear, including safety goggles, hearing protection, tight-fitting gloves without draw strings or loose cuffs, and steel-toed shoes.
4. Never use an incorrect or unsafe method of operation.

### STARTING THE WOOD CHIPPER

1. Position your Wood Chipper on flat, dry ground.
2. Make sure the fuel shut-off valve is in the “ON” position.
3. Move the choke control lever to the “CHOKE” position (should only be needed if the engine is cold).
4. Move the throttle control lever to the “FAST” position.
5. **RECOIL START:** Turn the ignition switch to the “ON” position. Grasp the recoil starter handle and slowly pull until you feel resistance. Let the cord retract a little bit then pull the cord rapidly to start the engine. One or two pulls usually starts the engine.
6. **ELECTRIC START:** Turn and hold the key in the start position until the engine starts, then let the key return to the run position.
7. Move the choke control lever (if used for cold engine), slowly back to the “RUN” position when the engine is running well.
8. If the Wood Chipper has not been running (cold engine), warm up the engine by running the engine at half throttle for 3 to 4 minutes, then advance the engine throttle control to the maximum speed.



# SAFETY & OPERATION

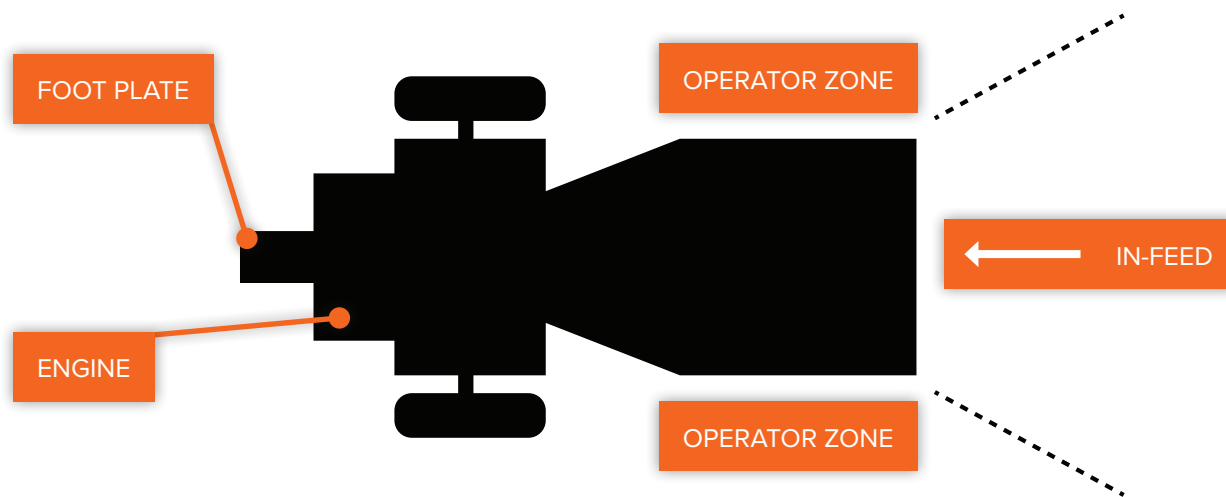
## OPERATION GUIDELINES

### STOPPING THE WOOD CHIPPER

1. Press the safety shut-off bar on the feed chute.

OR

2. Move the throttle lever to "IDLE".
3. **RECOIL START:** Slide the gas lever to the left to shut engine off.
4. **ELECTRIC START:** Turn the key to the "OFF" position.



**⚠ NOTICE:** Wood diameter should be no bigger than 6 inches.

**NOTE:** If the drum jams with wood under the drum, remove the drum shaft side shield and turn the drum counter-clockwise. It may be necessary to remove the drive belts for severe jams to relieve resistance on the direct drive system to make the drum easier to turn and free up.

# SAFETY & OPERATION MAINTENANCE



Regular maintenance is the best way to ensure optimal performance and longevity of the machine. Please refer to this manual and the engine manufacturer's user manual for maintenance procedures.

**⚠ WARNING:** Before performing any maintenance procedure or inspection, stop the engine, wait five minutes to allow all parts to cool. Disconnect spark plug wire, keeping it away from the spark plug. Disconnect the battery terminals (electric start only).

## REGULAR MAINTENANCE CHECKLIST

PROCEDURE	1	2	3	4	LEGEND
Check engine oil level					BEFORE EACH USE <b>1</b>
Check general equipment condition					EVERY 3 HOURS <b>2</b>
Check blades and bolts					EVERY 25 HOURS <b>3</b>
Check belts					EVERY 100 HOURS <b>4</b>
Check tire pressure					
Clean engine exterior and recoil cover					
Change engine oil					
Replace air filter					
Replace spark plug					

**ENGINE SERVICE:** Refer to the engine manufacturer's user manual for engine maintenance.



# SAFETY & OPERATION

## TROUBLESHOOTING

Most problems are easy to fix. Consult the Troubleshooting Table below for common problems and their solutions. If you continue to experience problems, contact the DK2 Customer Service Team at 1 (888) 277-6960.

**⚠ WARNING:** Before performing any maintenance procedure or inspection, stop the engine, wait five minutes to allow all parts to cool. Disconnect spark plug wire, keeping it away from the spark plug.

### TROUBLESHOOTING TABLE

SYMPTOM	POSSIBLE CAUSE
<p>The engine won't start</p> <p>(please refer to the engine user manual for engine-specific procedures.)</p>	<ul style="list-style-type: none"> <li>• Is the safety bar reset, is the palm button reset?</li> <li>• Is the fuel shut-off valve on? Slide the lever all the way to the right.</li> <li>• Are you using fresh, clean gas? If the gas is old, change it. Use a fuel stabilizer if you keep gas longer than 30 days.</li> <li>• Is the spark plug clean? If the spark plug is dirty or cracked, change it. If it's oily, leave it out, hold a rag over the plug hole and pull the recoil cord several times to blow out any oil in the cylinder, then wipe off the plug and reinsert it.</li> </ul>
<p>The engine lacks power or is not running smoothly.</p> <p>(please refer to the engine user manual for engine-specific procedures.)</p>	<ul style="list-style-type: none"> <li>• Check that the throttle lever is in the "RABBIT" position. Turn off the choke.</li> <li>• Is the air filter clean? If it's dirty, change it following the procedure in the engine manufacturer's owner's manual.</li> <li>• Is the spark plug clean? If it's fouled or cracked, change it. If it's oily, leave it out, hold a rag over the plug hole and pull your recoil cord several times to blow out any oil in the cylinder, then wipe off the plug and reinsert it.</li> <li>• Are you using fresh, clean unleaded gas? If it's old, change it. Use a fuel stabilizer if you keep gas longer than 30 days.</li> <li>• Does your engine have the right amount of clean oil? If it's dirty, change it following the procedure in the engine manufacturer's owner's manual.</li> <li>• Check the oil level and adjust as needed.</li> </ul>
<p>Engine smokes.</p> <p>(please refer to the engine user manual for engine-specific procedures.)</p>	<ul style="list-style-type: none"> <li>• Check the oil level and adjust as needed.</li> <li>• Check the air filter and clean or replace if needed.</li> <li>• You may be using the wrong oil - too light for the temperature. Refer to your engine owner's manual for detailed information.</li> <li>• Clean the cooling fins if they're dirty.</li> </ul>
<p>Machine does not seem to have full chipping power.</p>	<ul style="list-style-type: none"> <li>• The belts may be too loose and slipping. Adjust or replace belts as needed.</li> <li>• The blades may be dull, reverse to the sharp edge or replace blades.</li> <li>• Check drum for blockage.</li> </ul>



**SECTION III**  
PARTS & SCHEMATICS



# PARTS & SCHEMATICS

## PARTS LIST

No.	Specification	No.	Specification
1	Rubber Fixer Strip	41	Dust Cap
2	Kill Switch Cover	42	M24 x 1.5 Slotted Nut
4	Rubber Plate	46	Rear Wheel Axle
8	In-Feed Hopper	47	Bearing F207
10	Seal Cover (Left)	48	Roller
11	In-Feed Damping Rubber	49	Blade
12	Engine (Recoil/Electric Start)	51	Anvil
13	Engine Fixture Plate	52	Anvil Fixture
14	Main-Frame	53	Battery Fixture
15	Spacer dia. 35 x dia. 45 x 10	54	Battery Box
17	Buckle	55	Battery 12V20AH
18	Seal Cover (Right)	56	Bearing Cover
19	Belt Inner Cover	61	V-Belt 17 x 1143
20	Discharge Damping Rubber	62	Engine Pulley
21	Arch Plate	63	Roller Pulley
22	Front Wheel Frame	64	Belt Cover
23	Front Wheel Rotation Frame	66	Fore-Wheel Fixing Frame
24	M10 Screw and Nut	67	Tire 4.8-8
25	M10 Locknut	68	Press Switch
26	Axle Cover	69	Switch Base
27	Bearing 6204		
28	M24 x 1.5 Slot Nut		
29	Tow Bar		
30	Tow Hitch		
31	Chain		
32	Deflector		
33	Discharge (Top Part)		
34	Discharge (Middle Part)		
35	Discharge (Bottom Part)		
36	Spacer dia. 21 x dia. 25 x 95		
37	Fore-Wheel Fixture		
38	Wheel 4.10-4		
39	Washer dia. 16 x dia. 26 x 3		
40	Screw M16 x 12		



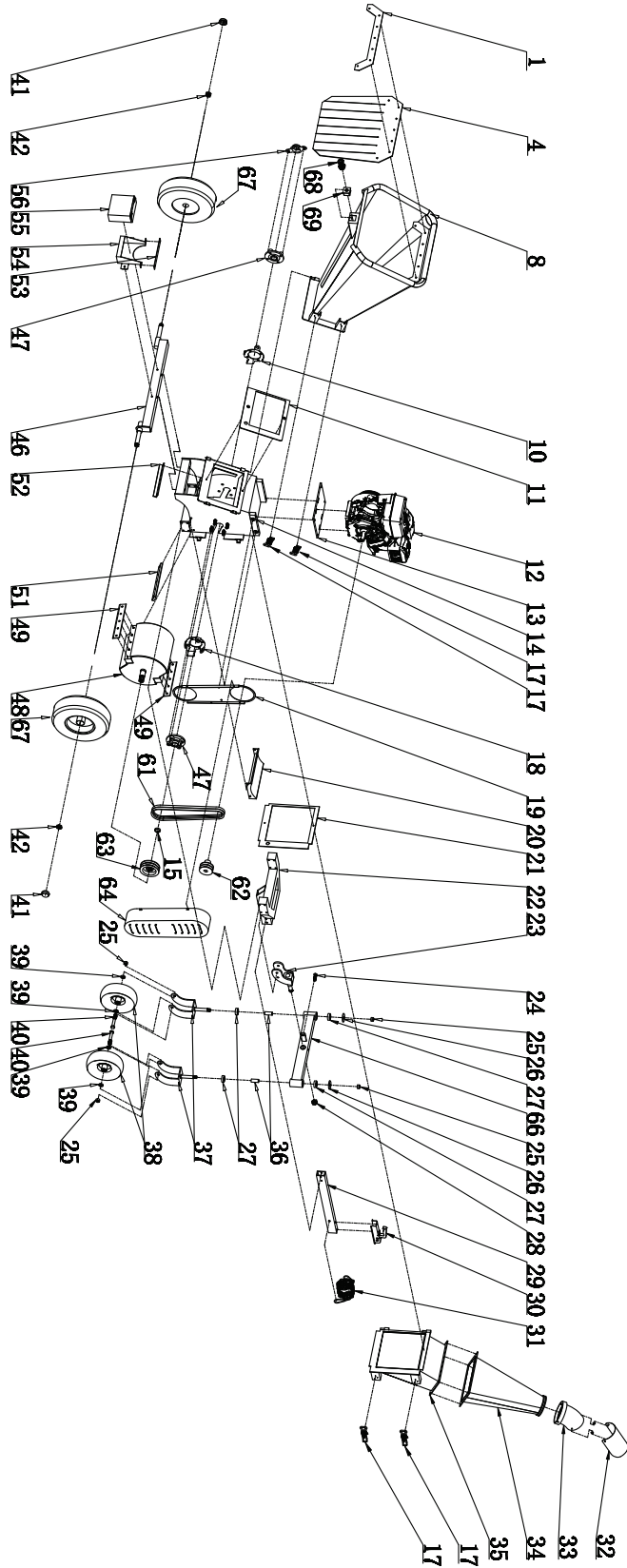
Scan here to access the DK2 POWER Parts Store **or** open your browser and go to [www.detailk2.com/shop-power-equipment-parts](http://www.detailk2.com/shop-power-equipment-parts)

Your Wood Chipper model is: **OPC566E**



# PARTS & SCHEMATICS

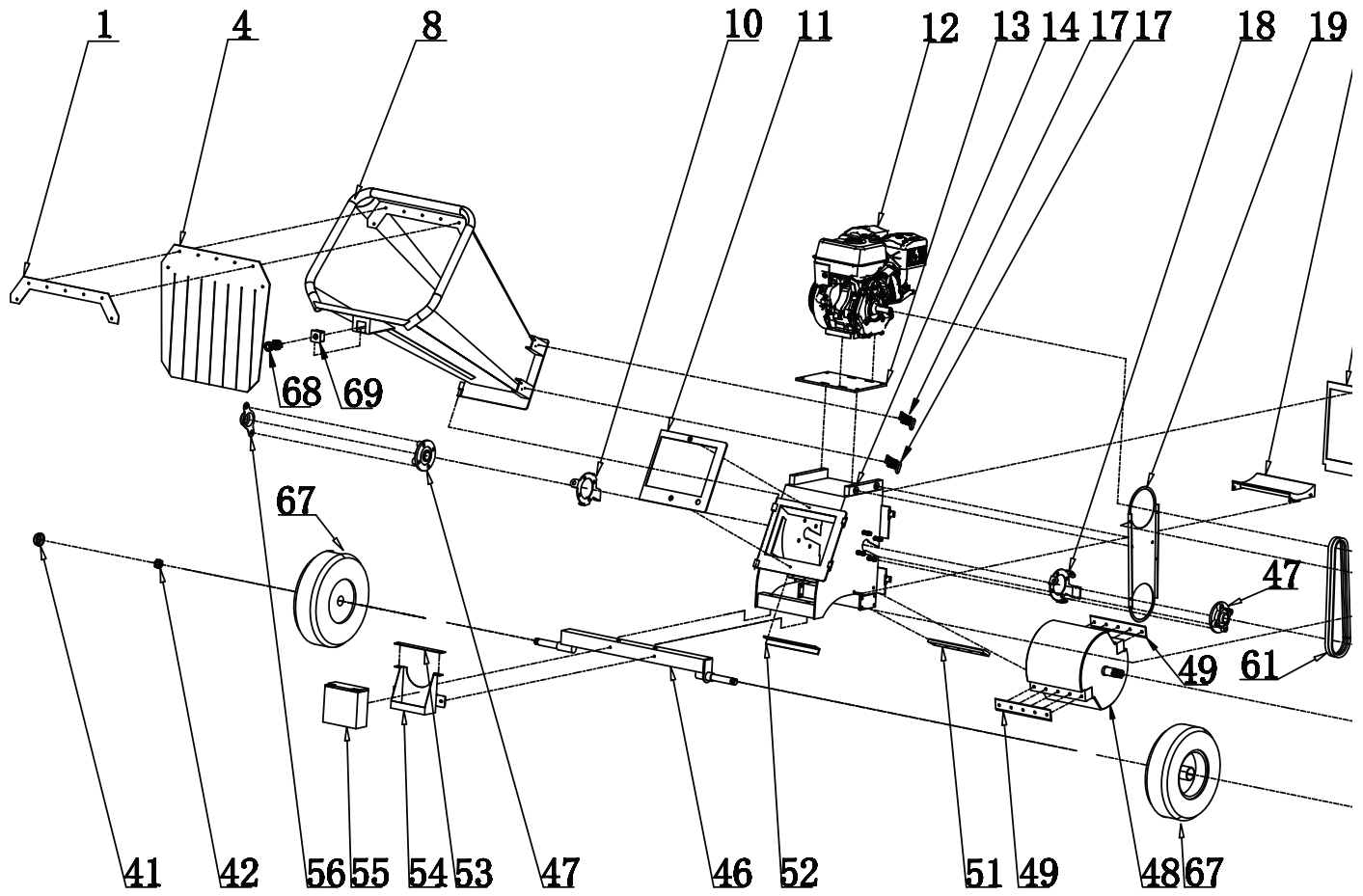
## SCHEMATICS





# PARTS & SCHEMATICS

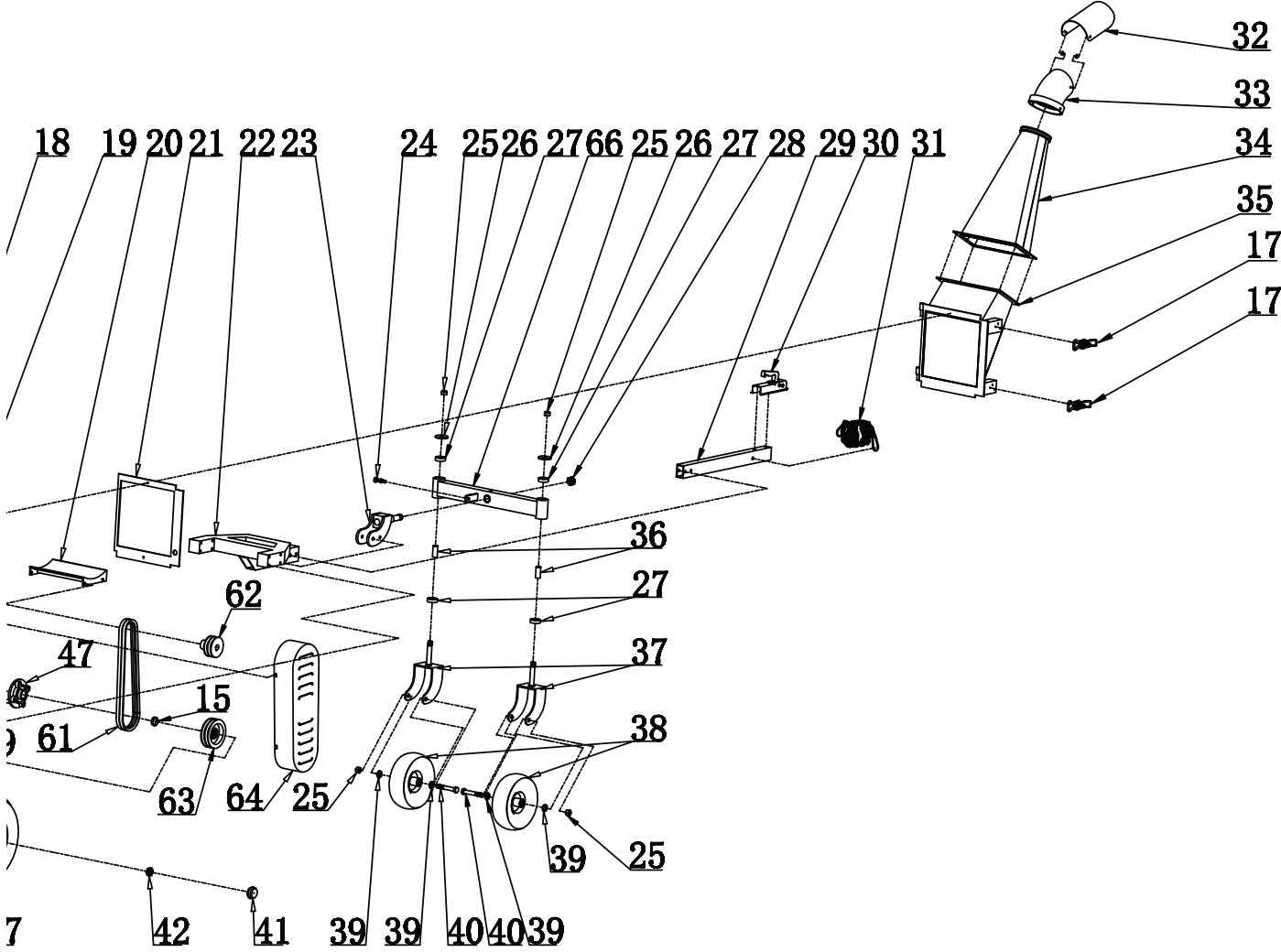
## SCHEMATICS





# PARTS & SCHEMATICS

## SCHEMATICS





## WARRANTY

### 3 YEAR ENGINE & 1 YEAR CHASSIS

**PLEASE DO NOT RETURN TO THE STORE**

**YOU HAVE A 1 YEAR WARRANTY AND DK2 WILL REPLACE A DEFECTIVE PART FOR FREE.  
CALL US AT 1 (888) 277-6960 FOR FAST WARRANTY PARTS AND QUESTIONS.**

#### **WHAT IS COVERED – 3 YEAR ENGINE AND 1 YEAR COMMERCIAL WARRANTY INCLUDED**

Detail K2 Inc. warrants to the original purchaser that product will be free and clear of manufacturing defects in workmanship and materials under normal use and service for period of one (1) year from the date of the original purchase. If within one (1) year from the original date of purchase this product fails due to defect in material or workmanship, Detail K2 will repair, replace, or supply any covered defective part at our option. DK2 POWER is 1-year parts only warranty no labor. Kohler 3 year warranty is PARTS and LABOR.

Upon expiry of one (1) year, Detail K2 will have no further liability related to the product. Detail K2 does not authorize any party, including its authorized distributors or dealers, to offer any other warranty on behalf of Detail K2 Inc.

#### **SERIAL NUMBERS MUST BE REGISTERED ONLINE AT [WWW.DK2POWER.COM](http://WWW.DK2POWER.COM), WARRANTY NON-TRANSFERABLE.**

KOHLER ENGINES –KOHLER CH SERIES ENGINES COMMERCIAL 3 YR PARTS AND LABOR WARRANTY

KOHLER ENGINES –KOHLER SH SERIES ENGINES RESIDENTIAL 2 YR PARTS AND LABOR WARRANTY

See your Kohler manual for specific warranty.

DK2–1-Year parts only, no labor. 3-year commercial Kohler warranty.

#### **THIS WARRANTY DOES NOT COVER OR APPLY TO:**

- (a) Damage to the product due to misuse, mishandling and abuse
- (b) Improper installation, maintenance and storage
- (c) Expendable parts such as nuts and bolts, pins and springs, wiring and switch components, hydraulic hoses and fittings, cutting teeth, cutting chains, cutting blades, throttles, belts and tires.
- (d) Normal wear and tear
- (e) Consequential damage & incidental damages such as damage to persons or property

#### **PROCEDURE FOR OUTDOOR POWER EQUIPMENT WARRANTY**

Within the one (1) year warranty period, the purchaser of the product can CALL 1 (888) 277-6960 or contact us on [www.DK2Power.com](http://www.DK2Power.com). Notify us of the claimed defect and provide proof of original purchase. At this time the validity of the claim will be determined, and if approved replacement parts will be issued. No returned product will be accepted under warranty unless accompanied by an RGA# issued by Detail K2 Inc.

#### **DAMAGED FREIGHT**

Damage to your product caused by freight mishandling is NOT covered under warranty. If your freight arrives damaged, REFUSE it. **Inspect your product when it arrives**, otherwise if you accept it, you will be responsible for filing any freight claims with the delivery company. DK2 warranty excludes damage to product.

#### **RETURNS BEFORE GAS AND OIL**

Follow the return policy from the retailer you purchased the equipment from.

#### **RESOLUTION FOR A DEFECTIVE PRODUCT AFTER GAS AND OIL HAS BEEN ADDED.**

Call us at 1 (888) 277-6960 between 8am-4pm Monday to Friday EST.



# OPC566E

DÉCHIQUETEUSE À DISQUE CINÉTIQUE  
6 POUCES

REMORQUABLE • TAMBOUR CINÉTIQUE • MOTEUR KOHLER® 14 CV

## MANUEL DE L'UTILISATEUR



### DK2 USA OUEST

4301 S VALLEY VIEW BOUL.  
SUITE 10-11 LAS VEGAS, NEVADA  
89103 ÉTATS-UNIS

### DK2 CORPORATE OFFICE

5330 MAINWAY  
BURLINGTON, ONTARIO  
L7L6A4 CANADA

### DK2 USA EST

3750 AVENUE SUD,  
UNITÉ NORD, TOLEDO, OHIO  
43615 ÉTATS-UNIS

PIÈCES ET SERVICE 1 (888) 277-6960 | [WWW.DETAILK2.COM](http://WWW.DETAILK2.COM)



# TABLE DES MATIÈRES

<b>SECTION I : ASSEMBLAGE</b> .....	<b>3</b>
ÉTAPE 1 : INSPECTER L'EMBALLAGE .....	4
ÉTAPE 2 : PRÉPARATION .....	5
ÉTAPE 3 : TRÉMIE D'ALIMENTATION .....	6
ÉTAPE 4 : ROUES .....	7
ÉTAPE 5 : ESSIEU .....	8
ÉTAPE 6 : ATTELAGE AVANT .....	9
ÉTAPE 7 : MONTAGE PIVOTANT SUR L'ESSIEU AVANT .....	10
ÉTAPE 8 : ESSIEU AVANT .....	11
ÉTAPE 9 : BARRE DE REMORQUAGE .....	12
ÉTAPE 10 : GOULOTTE D'EXPULSION .....	13
ÉTAPE 11 : BATTERIE .....	14
<b>SECTION II : SÉCURITÉ ET FONCTIONNEMENT</b> .....	<b>15</b>
CONVENTIONS DE SÉCURITÉ .....	16
ÉTIQUETTES DE SÉCURITÉ .....	17
VOTRE MOTEUR KOHLER .....	18
ARRÊT D'URGENCE .....	19
PRATIQUES DE SÉCURITÉ ET INFORMATIONS GÉNÉRALES .....	20
SPÉCIFICATIONS TECHNIQUES .....	24
DIRECTIVES DE FONCTIONNEMENT .....	25
ENTTETIEN .....	27
DÉPANNAGE .....	28
<b>SECTION III : PIÈCES ET SCHÉMAS</b> .....	<b>29</b>
SCHÉMAS .....	30
LISTE DES PIÈCES .....	31
<b>GARANTIE</b> .....	<b>34</b>



**SECTION I**  
ASSEMBLAGE



## ASSEMBLAGE

### VÉRIFIER L'EMBALLAGE

#### ÉTAPE 1 : INSPECT THE PACKAGING

Ouvrir et déballer tous les articles. Laissez beaucoup d'espace de travail. Inspectez toutes les pièces.

La déchiqueteuse est expédiée dans une caisse. Laissez les côtés rabattus et utilisez-le comme espace de travail.

**REMARQUE :** Lors de l'inspection des pièces, si vous constatez des dommages ou des pièces manquantes, veuillez appeler DK2 POWER au **1 (888) 277-6960** ou contactez-nous via notre site Web à **[www.detailk2.com](http://www.detailk2.com)**. On remplacera gratuitement toute pièce endommagée ou manquante. **Merci de ne pas retourner en magasin.**

# ASSEMBLAGE

## INSTRUCTIONS ÉTAPE PAR ÉTAPE



### ÉTAPE 2 : PRÉPARATION

1. Faites glisser le boîtier de la déchiqueteuse pour le descendre du bord de la caisse sur le côté, tel qu'illustré ci-dessous.
2. Demandez à quelqu'un de vous assister pour faire basculer l'appareil vers l'avant pendant que vous effectuez l'étape suivante.



GLISSER L'UNITÉ  
HORS DE LA CAISSE.



# ASSEMBLAGE

## INSTRUCTIONS ÉTAPE PAR ÉTAPE

### ÉTAPE 3 : TRÉMIE D'ALIMENTATION

Avec un assistant, faites glisser les axes de charnière de la trémie d'alimentation en place, fermez et verrouillez.





# ASSEMBLAGE

## INSTRUCTIONS ÉTAPE PAR ÉTAPE



### ÉTAPE 4 : ROUES

1. Installez la roue, la rondelle, l'écrou et la goupille sur l'essieu.
2. Les roues doivent tourner librement.
3. Installez le capuchon d'extrémité.
4. Répétez l'opération pour l'autre roue.





# ASSEMBLAGE

## INSTRUCTIONS ÉTAPE PAR ÉTAPE

### ÉTAPE 5 : ESSIEU

1. Inclinez l'unité vers l'avant avec un assistant comme indiqué ci-dessous.
2. Installez l'essieu à l'aide des 2 boulons et du matériel fournis, et serrez.



2 X BOULONS ET ÉCROUS

# ASSEMBLAGE

## INSTRUCTIONS ÉTAPE PAR ÉTAPE



FRANÇAIS

### ÉTAPE 6 : ATTELAGE AVANT



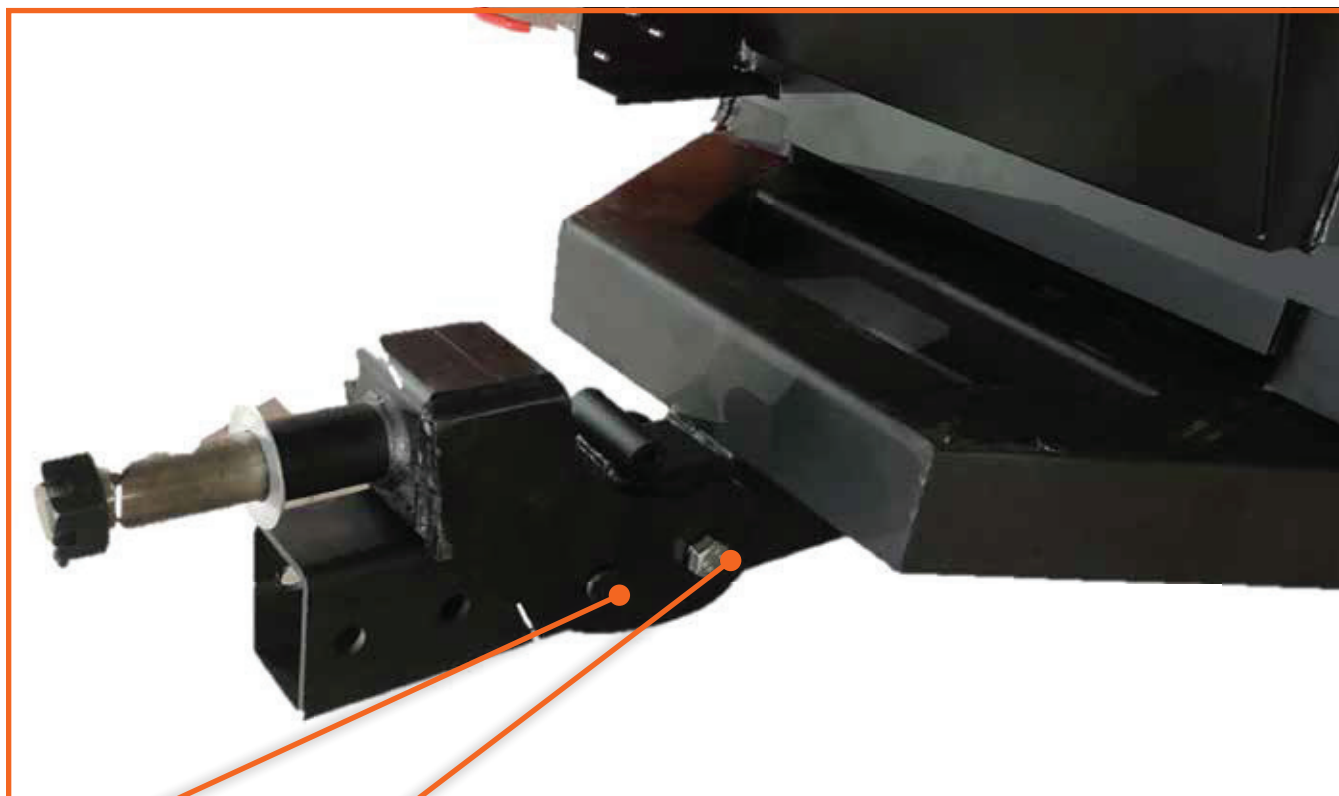
INSTALLER L'ENSEMBLE D'ATTELAGE AVANT UTILISATION DES 8 BOULONS ET DU MATÉRIEL FOURNI, FIXER, SERRER.



# ASSEMBLAGE

## INSTRUCTIONS ÉTAPE PAR ÉTAPE

### ÉTAPE 7 : MONTAGE PIVOTANT SUR L'ESSIEU AVANT



GOUPILLE

BOULON

UTILISER LE BOULON ET LA GOUPILLE QUINCAIERIE FOURNI ET SERRER PARTIELLEMENT POUR PERMETTRE LE MONTAGE POUR MONTER ET DESCENDRE.

# ASSEMBLAGE

## INSTRUCTIONS ÉTAPE PAR ÉTAPE



FRANÇAIS

### ÉTAPE 8 : ESSIEU AVANT



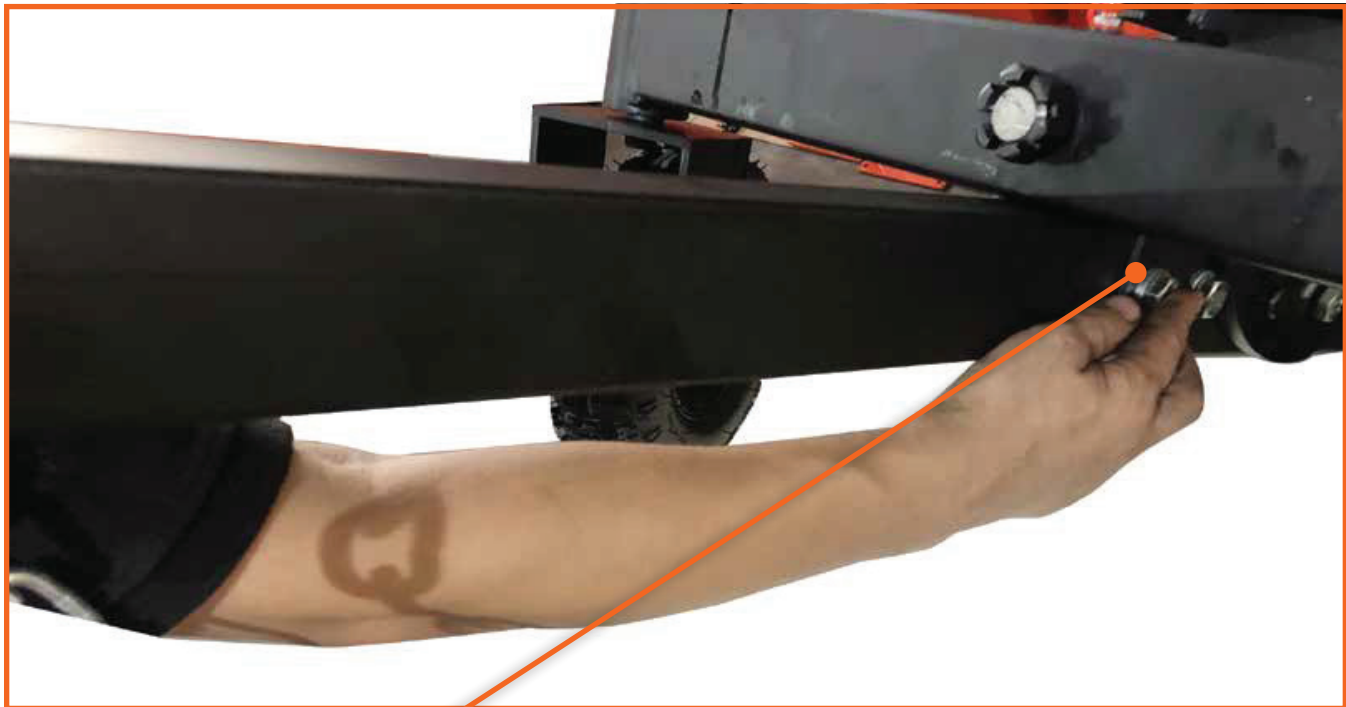
INSTALLER L'ESSIEU  
AVANT COMME INDIQUÉ  
EN UTILISANT RONDELLE,  
ÉCROU, PUIS GOUPILLE



# ASSEMBLAGE

## INSTRUCTIONS ÉTAPE PAR ÉTAPE

### ÉTAPE 9 : BARRE DE REMORQUAGE



INSTALLER LA BARRE  
DE REMORQUAGE  
UTILISANT LES 2  
BOULONS FOURNIS

# ASSEMBLAGE

## INSTRUCTIONS ÉTAPE PAR ÉTAPE



### ÉTAPE 10 : GOULOTTE D'EXPULSION



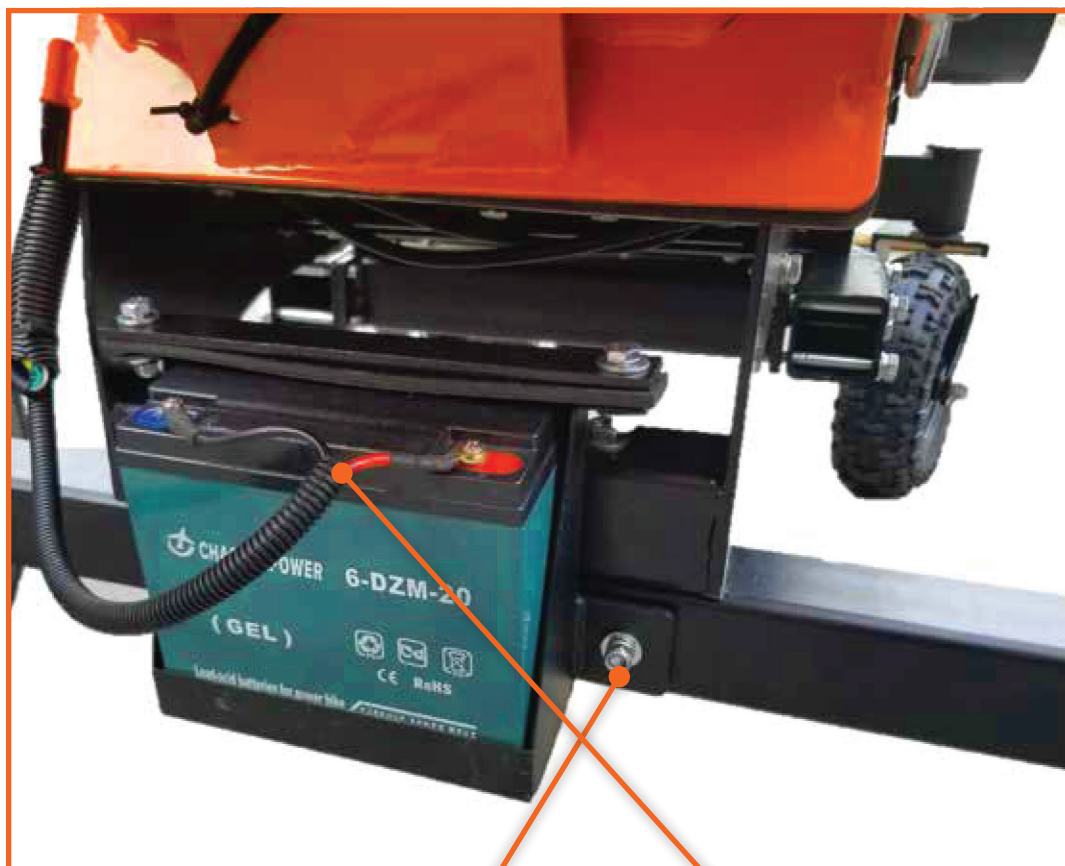
INSTALLER LA GOULOTTE D'EXPULSION  
EN UTILISANT LES 4 BOULONS  
FOURNIS



# ASSEMBLAGE

## INSTRUCTIONS ÉTAPE PAR ÉTAPE

### ÉTAPE 11 : BATTERIE



FIXER LA BATTERIE A L'UNITÉ  
UTILISANT 2 BOULONS ET  
MATÉRIEL FOURNI

CONNECTEZ LE  
CÂBLAGE COMME  
INDIQUÉ

**⚠ ATTENTION :** Soyez prudent lorsque vous branchez les fils de la batterie. NE PAS prendre contact vos outils ou tout autre matériau conducteur au cadre métallique lors de l'installation du fil positif (rouge).





# **SECTION II**

## SÉCURITÉ ET FONCTIONNEMENT



# SÉCURITÉ ET FONCTIONNEMENT

## CONVENTIONS DE SÉCURITÉ

### CONVENTIONS UTILISÉES DANS CE MANUEL

**⚠ Avertissement** : Ceci indique une situation dangereuse qui, si elle n'est pas évitée, pourrait entraîner mort ou de blessures graves.

**⚠ Attention** : Ceci indique une situation dangereuse qui, si elle n'est pas évitée, pourrait entraîner blessure mineure ou modérée.

**⚠ Avis** : Ces informations sont importantes pour une utilisation appropriée de votre machine. Ne pas suivre cette instruction pourrait endommager votre machine ou vos biens.

#### INFORMATIONS COMPLÉMENTAIRES ET MODIFICATIONS POTENTIELLES

Nous nous réservons le droit de discontinuer, de modifier et d'améliorer nos produits à tout moment sans notification ou obligation envers l'acheteur. Les descriptions et spécifications contenues dans ce manuel étaient en vigueur à l'impression. L'équipement décrit dans ce manuel peut être en option. Certaines illustrations peuvent ne pas s'appliquer à votre machine.

# SÉCURITÉ ET FONCTIONNEMENT

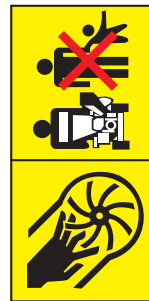
## ÉTIQUETTES DE SÉCURITÉ



### ÉTIQUETTES DE SÉCURITÉ TROUVÉES SUR VOTRE APPAREIL



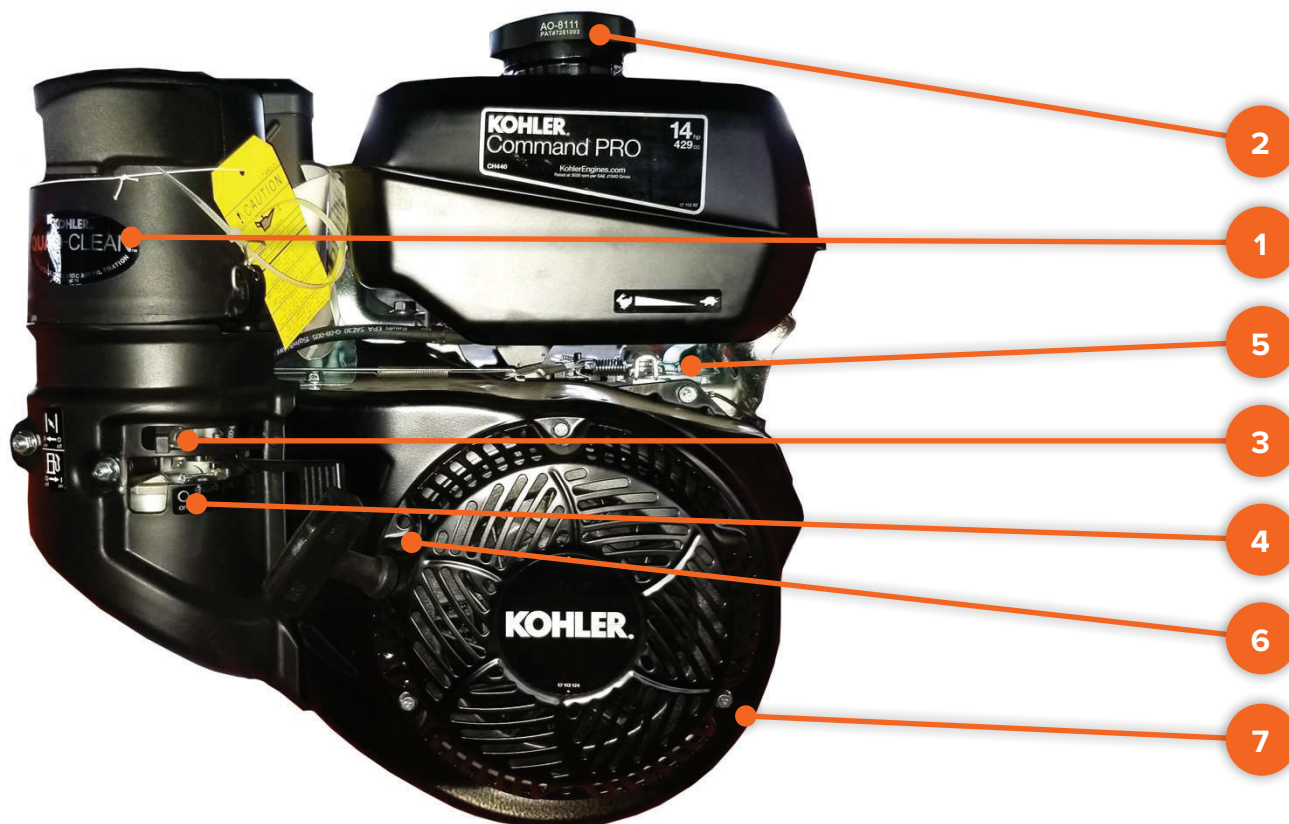
- 1 REMOVE COVER  
RETIREZ LE COUVERCLE
- 2 TURN COUNTER-CLOCKWISE  
TOURNEZ DANS LE SENS INVERSE DES AIGUILLES D'UNE MONTRE
- 3 TURN COUNTER-CLOCKWISE  
TOURNEZ DANS LE SENS INVERSE DES AIGUILLES D'UNE MONTRE





# SÉCURITÉ ET FONCTIONNEMENT

## VOTRE MOTEUR KOHLER



1	Filtere à air - positions été et hiver
2	Étrangleur (Choke) - La gauche est on / La droite est off (position de marche)
3	Essence - Utilisez une qualité moyenne ou supérieure
4	Interrupteur marche/arrêt des gaz - La gauche est fermée / La droite est ouverte
5	Accélérateur - Lapin rapide / Tortue lente
6	Démarrateur Manuel – tirer légèrement - Puis tirer rigoureusement pour démarrer
7	Huile - Remplissez jusqu'à la marque repère d'huile 10W30, le moteur ne démarrera si le niveau d'huile est bas, il y a un système de protection contre le manque d'huile. Il y a deux bouchons jaunes pour remplissage d'huile, utilisez l'un ou l'autre pour remplir l'huile.

# SÉCURITÉ ET FONCTIONNEMENT

## ARRÊT D'URGENCE



- ⚠ AVERTISSEMENT :** Assurez-vous que le câble d'arrêt d'urgence est correctement branché. Si non, ce peut entraîner la mort ou des blessures graves.

**⚠ WARNING: EMERGENCY STOP**  
**⚠ AVERTISSEMENT : ARRÊT D'URGENCE**

**(EN) Make sure the emergency stop wire is connected properly. If not, this may result in death or serious injury.**  
**(FR) Assurez-vous que le fil d'arrêt d'urgence est correctement connecté. Sinon, cela peut entraîner la mort ou des blessures graves.**

EMERGENCY SWITCH  
COMMUTATEUR D'ARRÊT  
D'URGENCE

EMERGENCY STOP WIRE  
CÂBLE D'ARRÊT D'URGENCE

- ⚠ AVERTISSEMENT :** Lisez cette section sur la sécurité et le fonctionnement avant d'utiliser le déchiqueteuse. Familiarisez-vous avec les recommandations d'utilisation et d'entretien pour vous assurer les meilleures performances de votre machine.

- ⚠ ATTENTION :** Cette machine est conçue uniquement pour déchiqeter du bois et ne doit pas être utilisée pour toute autre fin. Elle ne doit être utilisée que par des opérateurs formés et familiarisés avec le contenu de ce manuel. Il est potentiellement dangereux d'installer ou d'utiliser des pièces autres que Pièces d'origine DK2. La société décline toute responsabilité quant aux conséquences d'une telle utilisation, ce qui en plus annule la garantie de la machine.



# SÉCURITÉ ET FONCTIONNEMENT

## PRATIQUES DE SÉCURITÉ ET INFORMATIONS GÉNÉRALES

### ⚠️ AVIS : AVANT D'UTILISER LA DÉCHIQUETEUSE

- Dégagez pour créer un espace libre de toutes les personnes et biens qui pourraient être endommagés.
- Les projectiles projetés lors de l'utilisation peuvent causer des blessures.
- Portez des lunettes de sécurité, une protection auditive et des gants.
- Ne portez pas de vêtements amples qui pourraient se coincer dans les pièces mobiles de la machine.
- Les enfants ne doivent pas utiliser cet équipement.
- Restez attentif à votre environnement et aux personnes qui pourraient apparaître dans la zone d'opération.
- Les opérateurs doivent être parfaitement formés avant d'utiliser cette machine.
- Le manuel d'utilisation doit être lu et compris.
- La machine devrait être positionnée sur un sol plat ; tous les gardes et boucliers de protection doivent être en place et en bon état.
- Les lames sont en bon état et sécurisées.
- Toutes les fixations sont vérifiées pour un serrage adéquat.
- Seuls des matériaux en bois, exempts de clous, etc. doivent être introduits dans cette machine.
- Le câble d'arrêt d'urgence est correctement connecté et l'interrupteur est fonctionnel.
- Un extincteur est disponible sur place.

### ⚠️ AVIS : LORS DE L'UTILISATION DE LA DÉCHIQUETEUSE

- Alimentez toujours debout du côté de la trémie d'alimentation.
- Il est préférable d'avoir un deuxième opérateur formé à portée de main de la machine.
- Maintenir une discipline stricte à tout moment et faire l'entretien de la machine à des périodes spécifiées.
- Soyez conscient de la direction de la goulotte d'expulsion et si nécessaire, soyez attentif à la direction du vent pour prévenir que des débris soient soufflés sur des passants.
- NE mettez AUCUNE partie de votre corps dans la trémie d'alimentation pendant que la machine est en marche.
- NE PAS utiliser la machine sous l'influence de l'alcool ou de drogues.
- NE PAS faire fonctionner à l'intérieur d'un bâtiment ou d'un espace confiné.
- NE PAS monter sur la machine.

# SÉCURITÉ ET FONCTIONNEMENT

## PRATIQUES DE SÉCURITÉ ET INFORMATIONS GÉNÉRALES



### **⚠ ATTENTION : PROTÉGER VOUS ET CEUX QUI VOUS ENTOURENT**

Il s'agit d'une machine puissante, avec des pièces mobiles fonctionnant à haute énergie. Vous devez exploiter la machine en toute sécurité. Une opération non sécurisée peut créer plusieurs dangers pour vous, ainsi que pour toute autre personne dans la zone avoisinante. Prenez toujours les précautions suivantes lorsque vous utilisez cette machine.

- Gardez à l'esprit que l'opérateur ou l'utilisateur est responsable des accidents ou des dangers survenant à d'autres personnes, leurs biens et eux-mêmes.
- Portez toujours des lunettes de protection ou des lunettes de sécurité avec écrans latéraux lorsque vous utilisez la déchiqueteuse pour protéger vos yeux des éventuels débris projetés.
- Évitez de porter des vêtements amples ou des bijoux, qui peuvent se coincer dans les pièces mobiles et peuvent causer des blessures graves.
- Nous vous recommandons de porter des gants lors de l'utilisation de la déchiqueteuse. Assurez-vous que vos gants s'adaptent correctement et n'ont pas de poignets ou de cordons lâches.
- Portez des chaussures avec des semelles antidérapantes pendant le fonctionnement. Si vous avez des chaussures de sécurité, nous
- recommandons de les porter. N'utilisez pas la machine pieds nus ou en portant des sandales ou chaussures avec les orteils à découvert
- Portez des pantalons longs lorsque vous utilisez la déchiqueteuse.
- Gardez toujours les passants à au moins 50 pieds de votre zone de travail. Arrêtez le moteur lorsqu'un spectateur ou un animal domestique s'approche.

### **⚠ AVERTISSEMENT : SÉCURITÉ POUR LES ENFANTS ET LES ANIMAUX DE COMPAGNIE**

Des accidents tragiques peuvent survenir si l'opérateur n'est pas attentif à la présence d'enfants et d'animaux domestiques. Les enfants sont souvent attirés par la machine et l'activité de déchiquetage. Ne supposez jamais que les enfants resteront là où vous les avez vus pour la dernière fois. Suivez toujours ces précautions.

- Gardez les enfants et les animaux à au moins 50 pieds de la zone de travail et assurez-vous qu'ils sont sous le soins attentifs d'un adulte responsable.
- Soyez vigilant et éteignez la machine si des enfants ou des animaux domestiques pénètrent dans la zone de travail.
- Ne laissez jamais les enfants utiliser la déchiqueteuse.



# SÉCURITÉ ET FONCTIONNEMENT

## PRATIQUES DE SÉCURITÉ ET INFORMATIONS GÉNÉRALES

### ⚠ AVERTISSEMENT : SÉCURITÉ AVEC L'ESSENCE

L'essence est un liquide hautement inflammable. L'essence dégage également une vapeur inflammable qui peut s'enflammer facilement et provoquer un incendie ou une explosion. Ne négligez jamais les dangers de l'essence. Toujours suivre ces précautions.

- Ne jamais faire tourner le moteur dans un endroit clos ou sans ventilation adéquate car l'échappement de moteur contient du monoxyde de carbone, qui est un gaz toxique inodore, insipide et mortel.
- Entreposez tout le carburant et l'huile dans des contenants spécialement conçus et approuvés à cet effet et tenir à l'écart de la chaleur et des flammes nues.
- Remplacez les conduites de carburant et les œillets en caoutchouc lorsqu'ils sont usés ou endommagés et/ou après 5 ans d'utilisation.
- Remplissez le réservoir d'essence à l'extérieur avec le moteur arrêté et laissez le moteur refroidir complètement. Ne manipulez pas d'essence si vous ou quelqu'un à proximité fumez, ou si vous êtes à proximité de tout ce qui pourrait le faire s'enflammer ou exploser. Réinstaller le bouchon du réservoir et le bouchon du réservoir de carburant de façon sécuritaire.
- Si vous renversez de l'essence, n'essayez pas de démarrer le moteur. Éloignez la machine de la zone du déversement et évitez de créer une source d'inflammation jusqu'à ce que les vapeurs de gaz soient dissipés. Essuyez tout carburant renversé pour éviter tout risque d'incendie et éliminez correctement le
- déchets.
- Laissez le moteur refroidir complètement avant de le ranger. Ne jamais ranger une machine qui a de l'essence dans le réservoir, ou un bidon de carburant, près d'une flamme nue ou d'une étincelle telle que radiateur, sècheuse ou fournaise.
- Ne jamais régler ou réparer avec le moteur en marche. Couper le moteur, débrancher le fil de la bougie et tenez le éloignez de la bougie, attendre 5 minutes avant de régler ou de réparer.
- Ne jamais modifier le réglage du régulateur du moteur. Le gouverneur contrôle la vitesse maximum de fonctionnement sécuritaire et protège le moteur. Le surrégime du moteur est dangereux et peut endommager le moteur et les autres pièces mobiles de la machine. Si nécessaire, voir votre concessionnaire autorisé pour les réglages du régulateur de moteur.
- Tenez les substances combustibles éloignées du moteur lorsqu'il est chaud.
- Ne couvrez jamais le moteur lorsque le silencieux est encore chaud.
- Ne faites pas fonctionner le moteur avec le filtre à air ou le couvercle d'admission d'air du carburateur retirés. Le retrait de telles pièces pourrait créer un risque d'incendie. N'utilisez pas de solutions inflammables pour nettoyer
- le filtre à air.
- Le silencieux et le moteur deviennent très chauds et peuvent provoquer de graves brûlures ; Ne pas toucher.



# SÉCURITÉ ET FONCTIONNEMENT

## PRATIQUES DE SÉCURITÉ ET INFORMATIONS GÉNÉRALES



### **⚠ AVERTISSEMENT : SÉCURITÉ GÉNÉRALE**

L'utilisation de cette déchiqueteuse en toute sécurité est nécessaire pour prévenir ou minimiser le risque de décès ou blessure grave. Un fonctionnement dangereux peut créer plusieurs dangers pour vous. Prenez toujours les précautions lors de l'utilisation.

- Votre machine est un outil puissant, pas un jouet. Faites toujours preuve d'une extrême prudence. La machine est conçue pour déchiqueter le bois. Ne l'utilisez pas à d'autres fins.
- Sachez arrêter rapidement la déchiqueteuse.
- N'utilisez jamais votre appareil sur une surface glissante, mouillée, boueuse ou glacée. Soyez prudent pour éviter glisser ou tomber.
- N'utilisez jamais la machine sans vous assurer que toutes les protections et tous les gardes et boucliers sont en place.
- Ne jamais, sous aucune condition, retirer, plier, couper, ajuster, souder ou modifier de quelque manière que ce soit des pièces standard sur la déchiqueteuse. Cela inclut tous les boucliers et gardes. Modifications de votre machine pourrait causer des blessures corporelles et des dommages matériels et annulera votre garantie.
- Si la machine commence à faire un bruit inhabituel ou à vibrer, coupez le moteur, débranchez le fil de la bougie, en le tenant éloigné de la bougie pour éviter tout démarrage accidentel, attendez 5 minutes pour que le moteur refroidisse, puis vérifiez qu'il n'est pas endommagé. Les vibrations sont généralement un avertissement de problème. Vérifiez les pièces endommagées et nettoyez, réparez et/ou remplacez si nécessaire.
- Ne jamais toucher aux dispositifs de sécurité. Vérifiez régulièrement leur bon fonctionnement.
- Avant d'effectuer toute procédure d'entretien ou d'inspection, arrêtez le moteur,
- débranchez le fil de la bougie en l'éloignant de la bougie pour éviter tout accident
- démarrage, attendez 5 minutes que la machine refroidisse.
- Ne laissez jamais des personnes qui ne connaissent pas ces instructions utiliser la machine. Permettre seulement aux personnes responsables qui connaissent ces règles d'utilisation en toute sécurité pour utiliser votre machine.
- Ne jamais surcharger ou tenter de déchiqueter du bois au-delà des recommandations du fabricant. Ceci pourrait entraîner des blessures corporelles ou endommager la machine.
- Pendant l'utilisation, ne vous pressez pas et ne prenez pas les choses pour acquises. En cas de doute sur l'équipement ou de votre environnement arrêter la machine et prendre le temps de regarder les choses.
- N'utilisez jamais la machine sous l'influence de l'alcool, de drogues ou de médicaments.
- N'utilisez la machine qu'à la lumière du jour. Restez attentif aux dangers cachés.
- Maintenez tous les écrous et boulons serrés et maintenez l'équipement en bon état de fonctionnement.

**REMARQUE :** La liste des avertissements et des mises en garde ne peut pas être complète. Si des situations qui ne sont pas couvertes par ce manuel, l'opérateur doit faire preuve de bon sens et utiliser cette déchiqueteuse en toute sécurité. Contactez le service à la clientèle DK2 pour obtenir de l'aide ou si vous avez des questions.



# SÉCURITÉ ET FONCTIONNEMENT

## SPÉCIFICATIONS TECHNIQUES

### SPÉCIFICATIONS TECHNIQUES

<b>MOTEUR</b>	14 CV 4 temps
<b>PUISSANCE</b>	Essence
<b>CAPACITÉ DE BROYAGE</b>	14 po. 35.6 cm
<b>BOIS DIAMÈTRE</b>	12
<b>LAME DE DÉCHIRURE</b>	Double Réversible
<b>PNEU</b>	16 x 6.5-8
<b>DIMENSIONS</b>	105 po. (L) x 47 po. (L) x 55 po. (H) 266.7 cm (L) x 119.4 cm (L) x 139.7 cm (H)
<b>POIDS ASSEMBLÉ</b>	551 lb 250 kg
<b>POIDS D'EXPÉDITION</b>	617 lb 280 kg
<b>ROULEAU MAX RPM</b>	2000

# SÉCURITÉ ET FONCTIONNEMENT

## DIRECTIVES DE FONCTIONNEMENT



### ⚠ ATTENTION

1. Lisez et comprenez toutes les instructions, précautions de sécurité et/ou avertissements répertoriés dans ce manuel avant d'utiliser la déchiqueteuse . En cas de doute ou de question concernant le bon fonctionnement ou une méthode sûre pour effectuer tout ce qui se trouve dans ce manuel, veuillez contacter le service à la clientèle DK2 ou Téléphonez au 1 (888) 277-6960.
2. Lorsque vous utilisez la déchiqueteuse, assurez-vous de vous tenir dans la zone de fonctionnement sûre (ZONE OPÉRATEUR). Ne placez jamais aucune partie de votre corps dans une position qui pourrait être non sécuritaire au fonctionnement.
3. Avant d'utiliser la déchiqueteuse, portez toujours un équipement de protection, y compris des lunettes de sécurité, protection auditive, gants bien ajustés sans cordons de serrage ni poignets lâches et des chaussures avec embout d'acier.
4. N'utilisez jamais une méthode de fonctionnement incorrecte ou dangereuse.

### DÉMARRAGE DE LA DÉCHIQUEUSE

1. Placez votre déchiqueteuse sur un sol plat et sec.
2. Assurez-vous que le robinet d'arrêt de carburant est en position «ON».
3. Déplacez le levier de l'étrangleur sur la position «CHOKE» (ne devrait être nécessaire que si le moteur est froid).
4. Déplacez le levier de commande des gaz à la position «RAPIDE».
5. **DÉMARRAGE MANUEL** : Tournez le interrupteur d'allumage à la position «ON». Saisissez la poignée du démarreur et tirez lentement jusqu'à ce que vous sentiez une résistance. Laissez le cordon se rétracter un peu puis tirez sur le cordon rapidement pour démarrer le moteur. Une ou deux tractions démarrent généralement le moteur.
6. **DÉMARRAGE ÉLECTRIQUE** : Tournez et maintenez la clé en position de démarrage jusqu'à ce que le moteur démarre, puis laissez la clé revenir en position de marche.
7. Déplacez le levier de l'étrangleur (s'il est utilisé pour un moteur froid), revenez lentement à la position «RUN» quand le moteur tourne bien.
8. Si la déchiqueteuse n'a pas fonctionné (moteur froid), réchauffez le moteur en faisant tourner le moteur à mi-gaz pendant 3 à 4 minutes, puis amener la commande des gaz du moteur jusqu'à la vitesse maximum.



# SÉCURITÉ ET FONCTIONNEMENT

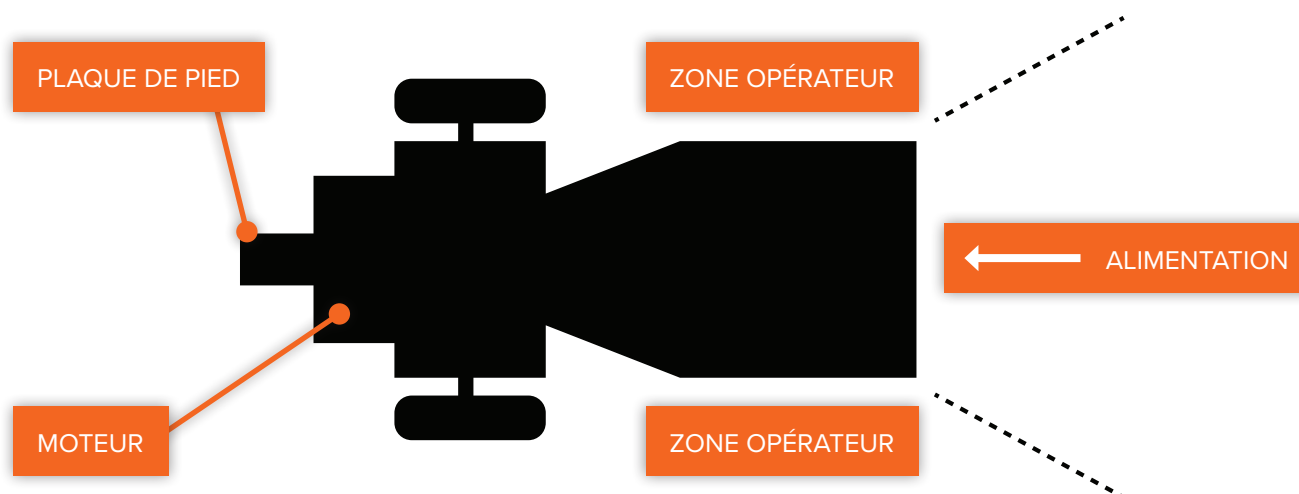
## DIRECTIVES DE FONCTIONNEMENT

### ARRÊTER LA DÉCHIQUETEUSE

1. Appuyez sur la barre d'arrêt de sécurité de la trémie d'alimentation.

OU

2. Déplacez la manette des gaz sur « IDLE ».
3. **DÉMARRAGE MANUEL** : Faites glisser le levier de gaz vers la gauche pour arrêter le moteur.
4. **DÉMARRAGE ÉLECTRIQUE** : Tournez la clé en position «OFF».



**⚠ AVIS** : Le diamètre du bois ne doit pas dépasser 6 pouces (15,2 cm).

**REMARQUE** : Si le tambour se coince causé par une pièce de bois sous le tambour, retirez le couvercle latéral du tambour et tourner le tambour dans le sens inverse des aiguilles d'une montre. Il peut être nécessaire de retirer les courroies d'entraînement en cas de blocage pour soulager la résistance sur le système d'entraînement direct pour rendre le tambour plus facile à tourner et libérer.

# SÉCURITÉ ET FONCTIONNEMENT

## MAINTENANCE



Un entretien régulier est le meilleur moyen d'assurer des performances et une longévité optimales de la machine. Veuillez vous référer à ce manuel et au manuel d'utilisation du fabricant du moteur pour procédures de maintenance.

**⚠ AVERTISSEMENT :** Avant d'effectuer toute procédure de maintenance ou d'inspection, arrêtez le moteur, attendez cinq minutes pour permettre à toutes les pièces de refroidir. Débranchez le fil de la bougie en gardant l'éloigner de la bougie. Débranchez les bornes de la batterie (démarrage électrique uniquement).

### LISTE DE CONTRLE POUR L'ENTRETIEN RÉGULIER

PROCÉDURE	1	2	3	4	LÉGENDE
Vérifier le niveau d'huile moteur	■				AVANT CHAQUE UTILISATION <b>1</b>
Vérifier l'état général de l'équipement	■				TOUTES LES 3 HEURES <b>2</b>
Vérifier les lames et les boulons	■				TOUTES LES 25 HEURES <b>3</b>
Vérifier les courroies	■				TOUTES LES 100 HEURES <b>4</b>
Vérifier la pression des pneus		■			
Nettoyer l'extérieur du moteur et le couvercle du démarreur manuel		■			
Changez l'huile du moteur		■			
Remplacer le filtre à air		■			
Remplacer la bougie				■	

**ENTRETIEN DU MOTEUR :** Consultez le manuel d'utilisation du fabricant du moteur pour l'entretien du moteur.



# SÉCURITÉ ET FONCTIONNEMENT

## DÉPANNAGE

La plupart des problèmes sont faciles à résoudre. Consultez le tableau de dépannage ci-dessous pour les problèmes courants et leurs solutions. Si vous continuez à rencontrer des problèmes, contactez le service à la clientèle DK2 ou appelez le 1 (888) 277-6960.

**⚠ AVERTISSEMENT :** Avant d'effectuer toute procédure de maintenance ou d'inspection, arrêtez le moteur, attendez cinq minutes pour permettre à toutes les pièces de refroidir. Débrancher le fil de bougie, en l'éloignant de la bougie.

### TABLEAU DE DÉPANNAGE

#### SYMPTÔME

#### CAUSE POSSIBLE

Le moteur ne démarre pas.

(veuillez vous référer au manuel d'utilisation du moteur pour les procédures spécifiques.)

- La barre de sécurité est-elle réinitialisée, le bouton de sécurité est-il réinitialisé?
- Le robinet d'arrêt de carburant est-il ouvert ? Faites glisser le levier complètement vers la droite.
- Utilisez-vous du gaz frais et propre ? Si le gaz est vieux, changez-le. Utilisez un stabilisateur de carburant si vous gardez le gaz plus longtemps que 30 jours.
- La bougie est-elle propre ? Si la bougie est sale ou fissurée, changez-la. Si elle est grasse, laissez-la de côté, maintenez un chiffon sur le trou du bouchon et tirez le démarreur manuel plusieurs fois pour souffler toute huile dans le cylindre, puis essuyez la bougie et réinsérez-la.

Le moteur manque de puissance ou ne tourne pas rondement.

(veuillez vous référer au manuel d'utilisation du moteur pour les procédures spécifiques.)

- Vérifiez que la manette des gaz est en position « LAPIN ». Fermez l'étrangleur.
- Le filtre à air est-il propre ? S'il est sale, changez-le en suivant la procédure du manuel du propriétaire du moteur.
- La bougie est-elle propre ? Si elle est encrassée ou fissurée, changez-la. Si c'est gras, laissez-la de côté, placez un chiffon sur le trou de la bougie, bouchez le trou et tirez plusieurs fois sur le démarreur manuel pour souffler toute huile dans le cylindre, puis essuyez la bougie et réinsérez-la.
- Utilisez-vous de l'essence sans plomb fraîche et propre ? S'il est vieille, changez-la. Utilisez un stabilisateur de carburant si vous gardez l'essence plus de 30 jours.
- Votre moteur a-t-il la bonne quantité d'huile propre ? Si elle est sale, changez-la en suivant la procédure du manuel du propriétaire du fabricant du moteur.
- Vérifiez le niveau d'huile et ajustez au besoin.

Le moteur fume.

(veuillez vous référer au manuel d'utilisation du moteur pour les procédures spécifiques.)

- Vérifiez le niveau d'huile et ajustez au besoin.
- Vérifiez le filtre à air et nettoyez-le ou remplacez-le si nécessaire.
- Vous utilisez peut-être la mauvaise huile - trop légère pour la température. Référez-vous au manuel du propriétaire de votre moteur pour des informations détaillées.
- Nettoyez les ailettes de refroidissement si elles sont sales.

La machine ne semble pas avoir la puissance de déchiquetage totale.

- Les courroies peuvent être trop lâches et glissantes. Ajustez ou remplacez les courroies au besoin.
- Les lames peuvent être émoussées, renversées jusqu'au bord tranchant ou remplacer les lames.
- Vérifiez que le tambour n'est pas obstrué.



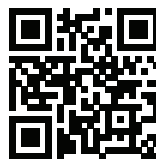
**SECTION III**  
PIÈCES & SCHÉMAS



# PIÈCES & SCHÉMAS

## LISTE DES PIÈCES

No.	Spécification	No.	Spécification
1	Bande de fixation en caoutchouc	41	Capuchon anti-poussière
2	Couvercle de coupe-circuit	42	Écrou à fente M24 x 1.5
4	Plaque en caoutchouc	46	Essieu de roue arrière
8	Trémie d'alimentation	47	Roulement F207
10	Couvercle d'étanchéité (gauche)	48	Rouleau
11	Lame d'amortissement en caoutchouc	49	Lame
12	Moteur (démarrage manuel/électrique)	51	Enclume
13	Plaque de fixation du moteur	52	Fixation de l'enclume
14	Châssis principal	53	Fixation de batterie
15	Entretoise dia. 35 x dia. 45 x 10	54	Boîtier de batterie
17	Boucle	55	Batterie 12V20AH
18	Couvercle de joint (droit)	56	Couvercle de roulement
19	Couvercle intérieur de la courroie	61	Courroie trapézoïdale 17 x 1143
20	Caoutchouc d'amortissement de décharge	62	Poulie de moteur
21	Plaque arquée	63	Rouleau Poulie
22	Châssis de roue avant	64	Couvercle-courroie
23	Cadre de rotation de roue avant	66	Cadre de fixation de roue avant
24	Vis et écrou M10	67	Pneu 4.8-8
25	Écrou de blocage M10	68	Interrupteur à pression
26	Couvercle d'essieu	69	Base de commutateur
27	Roulement 6204		
28	Écrou à fente M24 x 1,5		
29	Barre de remorquage		
30	Attelage de remorquage		
31	Chaîne		
32	Déflecteur		
33	Décharge (partie supérieure)		
34	Décharge (partie médiane)		
35	Décharge (partie inférieure)		
36	Entretoise dia. 21 x dia. 25 x 95		
37	Fixation de roue avant		
38	Roue 4.10-4		
39	Rondelle dia. 16 x dia. 26 x 3		
40	Vis M16 x 12		



Scannez ici pour accéder au DK2 POWER Parts Store ou ouvrez votre navigateur et accédez à [www.detailk2.com/shop-power-equipment-parts](http://www.detailk2.com/shop-power-equipment-parts)

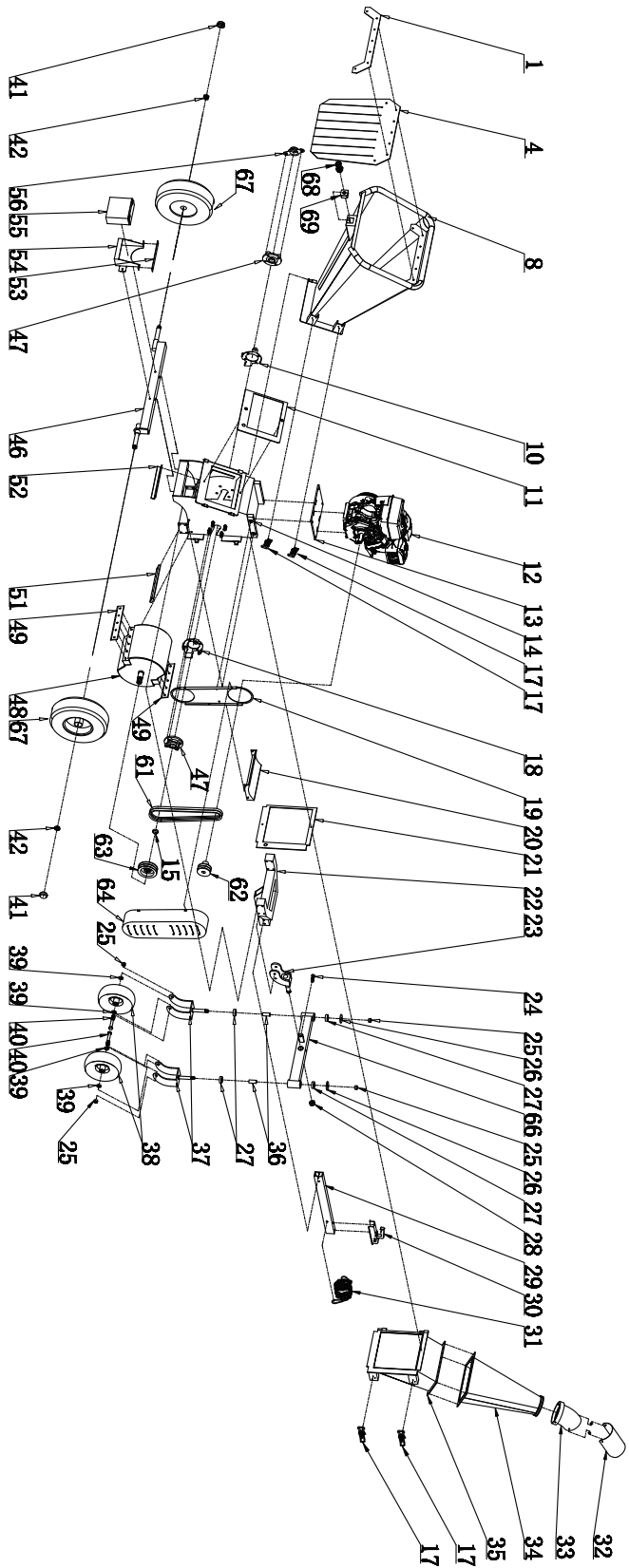
**Votre modèle de déchiqueteuse est : OPC566E**





# PIÈCES & SCHÉMAS

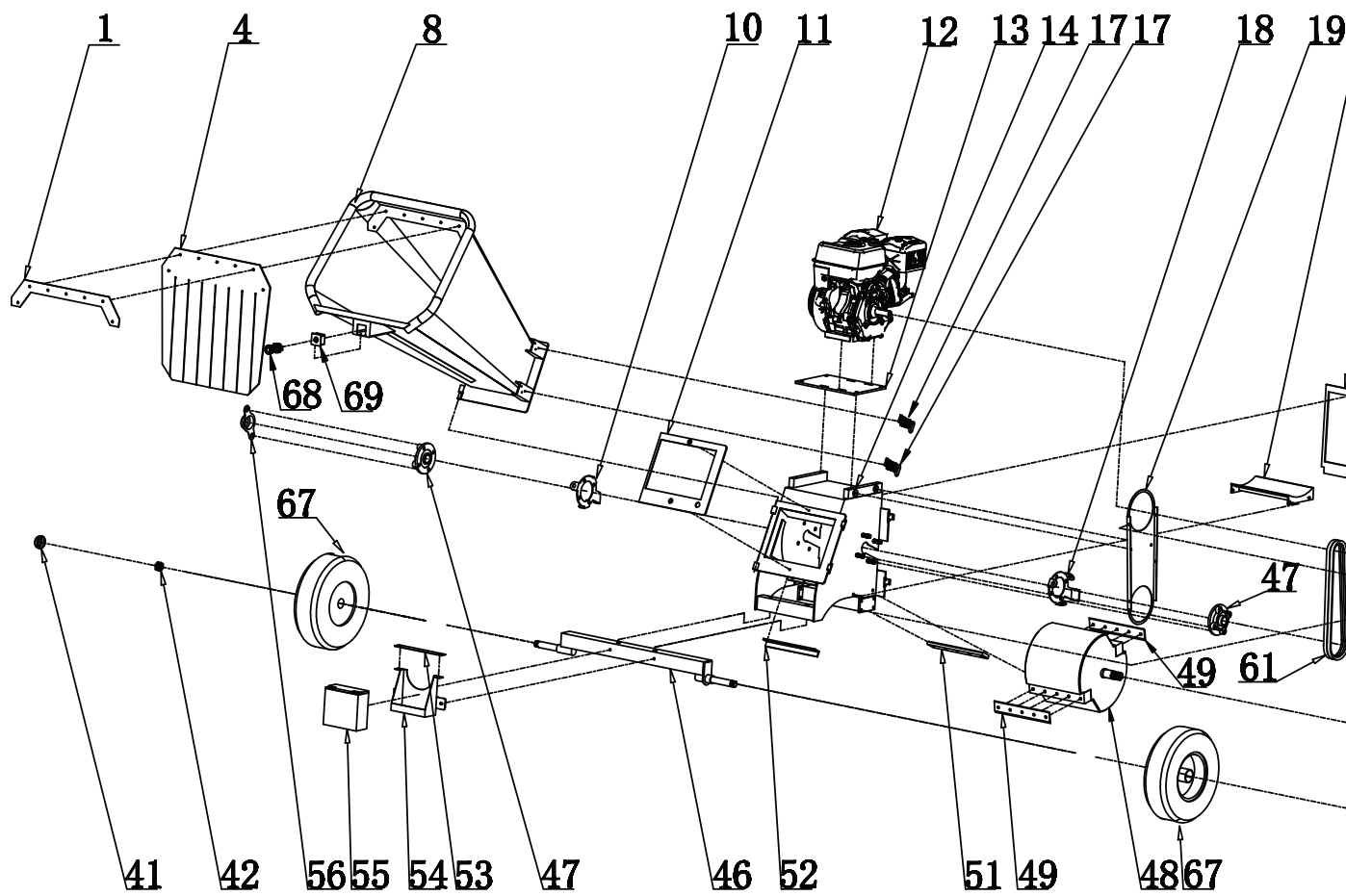
## SCHÉMAS





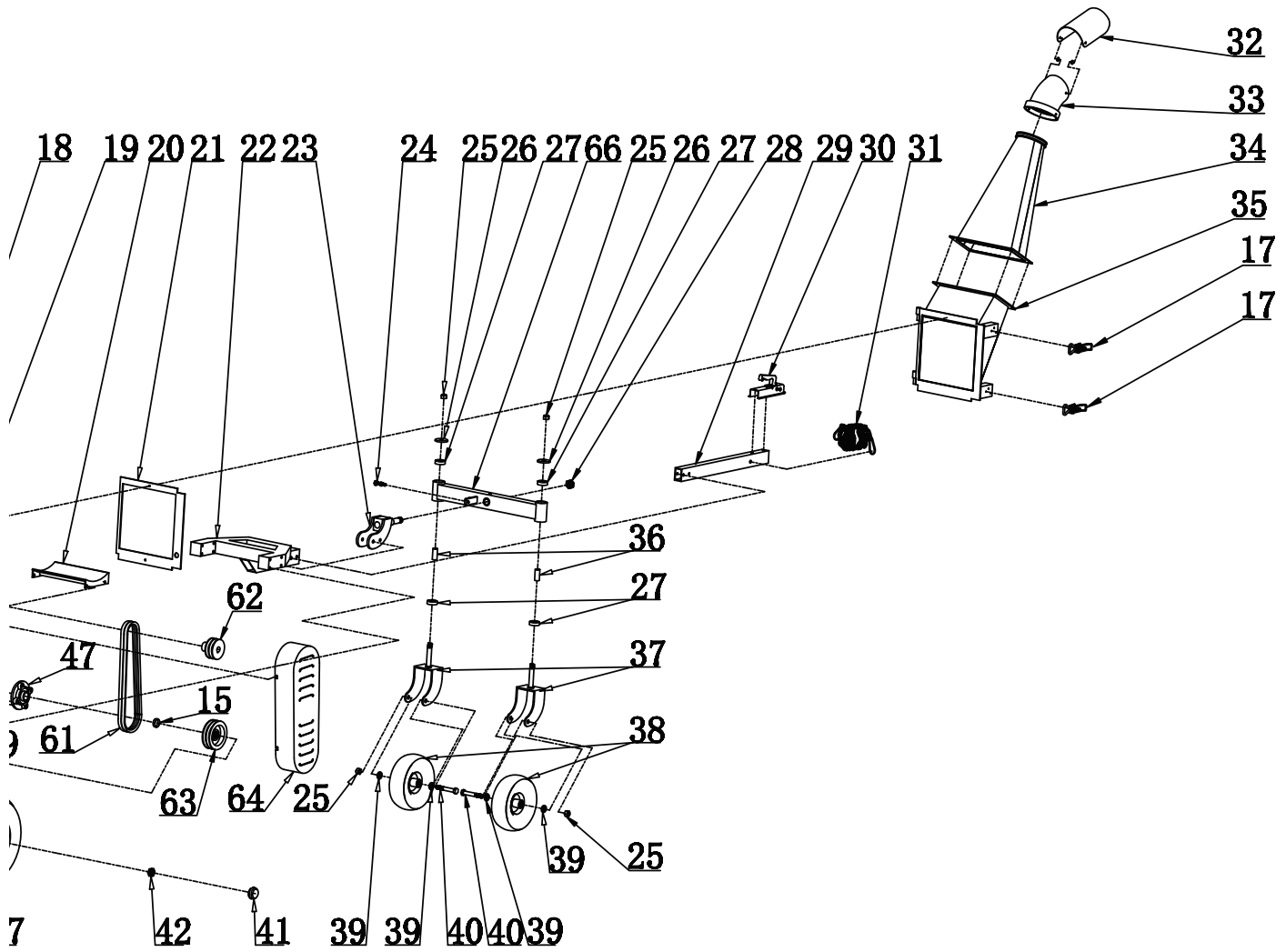
# PIÈCES & SCHÉMAS

## SCHÉMAS



# PIÈCES & SCHÉMAS

## SCHÉMAS





## GARANTIE

### 3 ANS DE MOTEUR ET 1 ANS DE CHÂSSIS

**VEUILLEZ NE PAS RETOURNER AU MAGASIN**

**VOUS AVEZ UNE GARANTIE DE 1 AN ET DK2 REMPLACERA GRATUITEMENT UNE PIÈCE DÉFECTUEUSE. APPELEZ-NOUS AU 1 (888) 277-6960 POUR DES PIÈCES DE GARANTIE ET DES QUESTIONS RAPIDES.**

#### **CE QUI EST COUVERT - MOTEUR DE 3 ANS ET GARANTIE COMMERCIALE DE 1 AN INCLUS**

Detail K2 Inc. garanti à l'acheteur original que le produit sera exempt de défauts de fabrication et matériaux dans des conditions normales d'utilisation et de service pendant une période d'un (1) an à compter de la date originale d'achat. Si dans un délai d'un (1) an à compter de la date d'achat d'origine, ce produit tombe en panne en raison d'un défaut matériel ou fabrication, Detail K2 réparera, remplacera ou fournira toute pièce défectueuse couverte par la garantie à notre gré. La Garantie de DK2 POWER est de 1 an sur les pièces seulement Cette garantie ne s'applique pas à la main-d'oeuvre. La garantie Kohler de 3 ans est PIÈCES et MAIN-D'OEUVRE.

À l'expiration d'un (1) an, Detail K2 n'aura plus aucune responsabilité liée au produit. Le détail K2 n'autorise aucune partie, y compris ses distributeurs ou revendeurs agréés, à offrir toute autre garantie au nom de Detail K2 Inc.

#### **LES NUMÉROS DE SÉRIE DOIVENT ÊTRE ENREGISTRÉS EN LIGNE SUR [WWW.DK2POWER.COM](http://WWW.DK2POWER.COM), GARANTIE NON TRANSFÉRABLE.**

MOTEURS KOHLER – MOTEURS KOHLER SÉRIE CH COMMERCIAL 3 ANS PIÈCES ET MAIN D'UVRE GARANTIE  
MOTEURS KOHLER – MOTEURS KOHLER SÉRIE SH RÉSIDENTIELS 2 ANS PIÈCES ET MAIN D'OEUVRE GARANTIE  
Consultez votre manuel Kohler pour une garantie spécifique.

DK2-1 an pièces uniquement, pas de main-d'oeuvre. Garantie commerciale Kohler de 3 ans.

#### **CETTE GARANTIE NE COUVRE ET NE S'APPLIQUE PAS À :**

- (a) Dommages au produit dus à une mauvaise utilisation, une mauvaise manipulation et/ou un abus
- (b) Installation, entretien et entreposage inappropriés
- (c) Les pièces consommables telles que les écrous et boulons, les goupilles et les ressorts, les composants de câblage et de commutateur, les tuyaux hydrauliques et raccords, dents de coupe, chaînes de coupe, lames de coupe, accélérateurs, courroies et pneus.
- (d) Usure normale
- (e) Dommages indirects et dommages accessoires tels que dommages aux personnes ou aux biens

#### **PROCÉDURE DE GARANTIE DES ÉQUIPEMENTS D'EXTÉRIEURS**

Au cours de la période de garantie d'un (1) an, l'acheteur du produit peut APPELEZ 1 (888) 277-6960 ou contactez-nous au [www.DK2Power.com](http://www.DK2Power.com). Signalez-nous le défaut revendiqué et fournissez la preuve de l'achat d'origine. À ce stade, la validité de la réclamation sera déterminé et si des pièces de remplacement approuvées seront émises. Aucun produit retourné ne sera accepté sous-garantie à moins d'être accompagnée d'un RGA# émis par Detail K2 Inc.

#### **DOMMAGE DU AU TRANSPORT**

Les dommages causés à votre produit par une mauvaise manipulation du transporteur ne sont PAS couverts par la garantie. Si votre caisse arrive endommagé, REFUSEZ-LA. **Inspectez votre produit à son arrivée**, sinon si vous l'acceptez, vous serez responsable du dépôt de toute réclamation auprès de la société de livraison. La garantie DK2 exclut les dommages au produit du au transporteur.

#### **RETOURS AVANT ESSENCE ET HUILE**

Suivez la politique de retour du détaillant chez qui vous avez acheté l'équipement.

#### **RÉSOLUTION POUR UN PRODUIT DÉFECTUEUX APRÈS L'AJOUT DE L'ESSENCE ET DE L'HUILE.**

Appelez-nous au 1 (888) 277-6960 entre 8 h et 16 h du lundi au vendredi HNE.