



**Trailer Assembly Guide**  
**Model MMT5X7 & MMT5X7-DUG (L7X)**  
**2050 GVWR All Steel Trailer**

**DETAIL K2 INC.**

5330 Mainway  
Burlington Ont. L7L 6A4  
1-888-277-6960

**7.5 ft. (229 cm)**  
**Utility**  
**Trailer**



**MMT5X7**

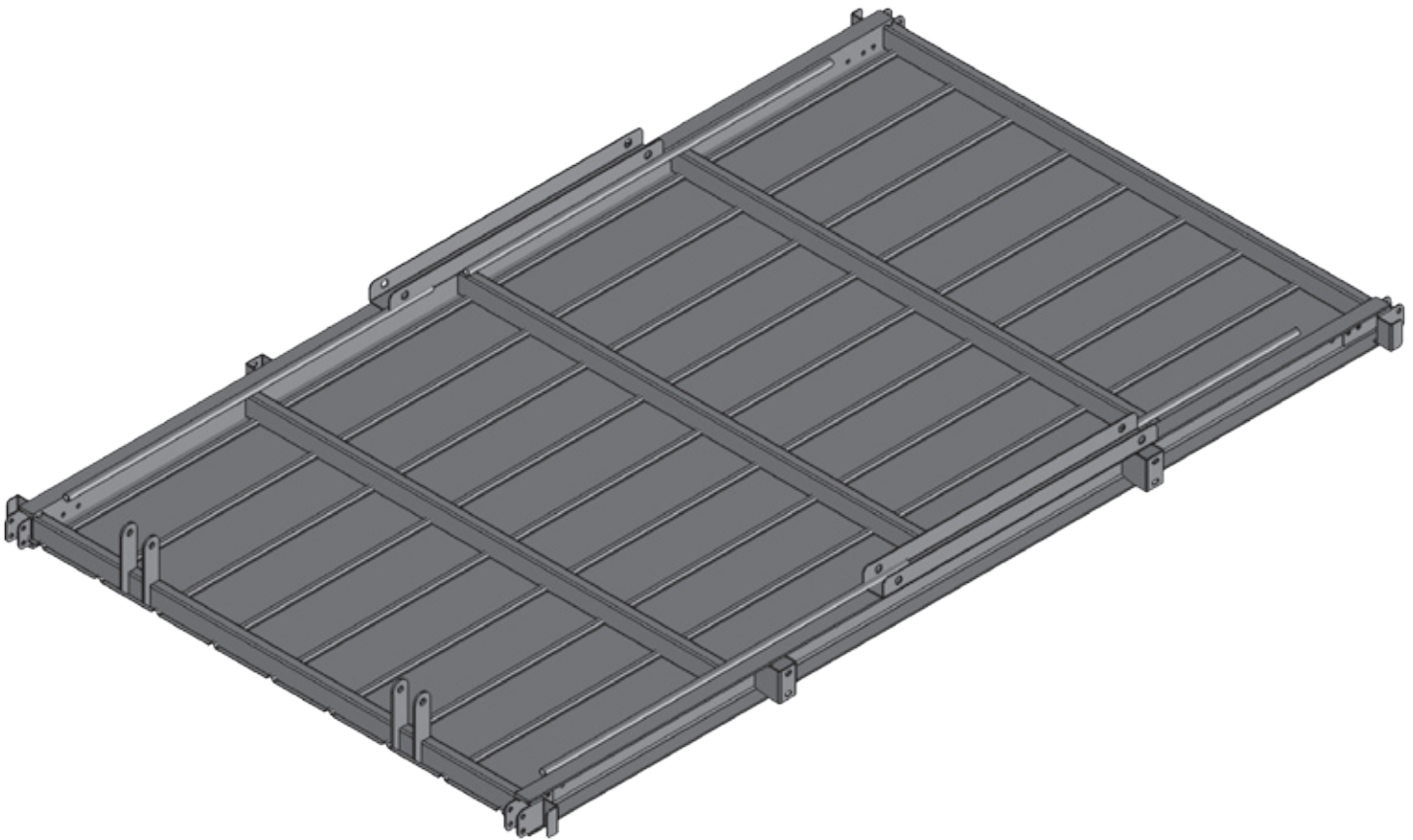


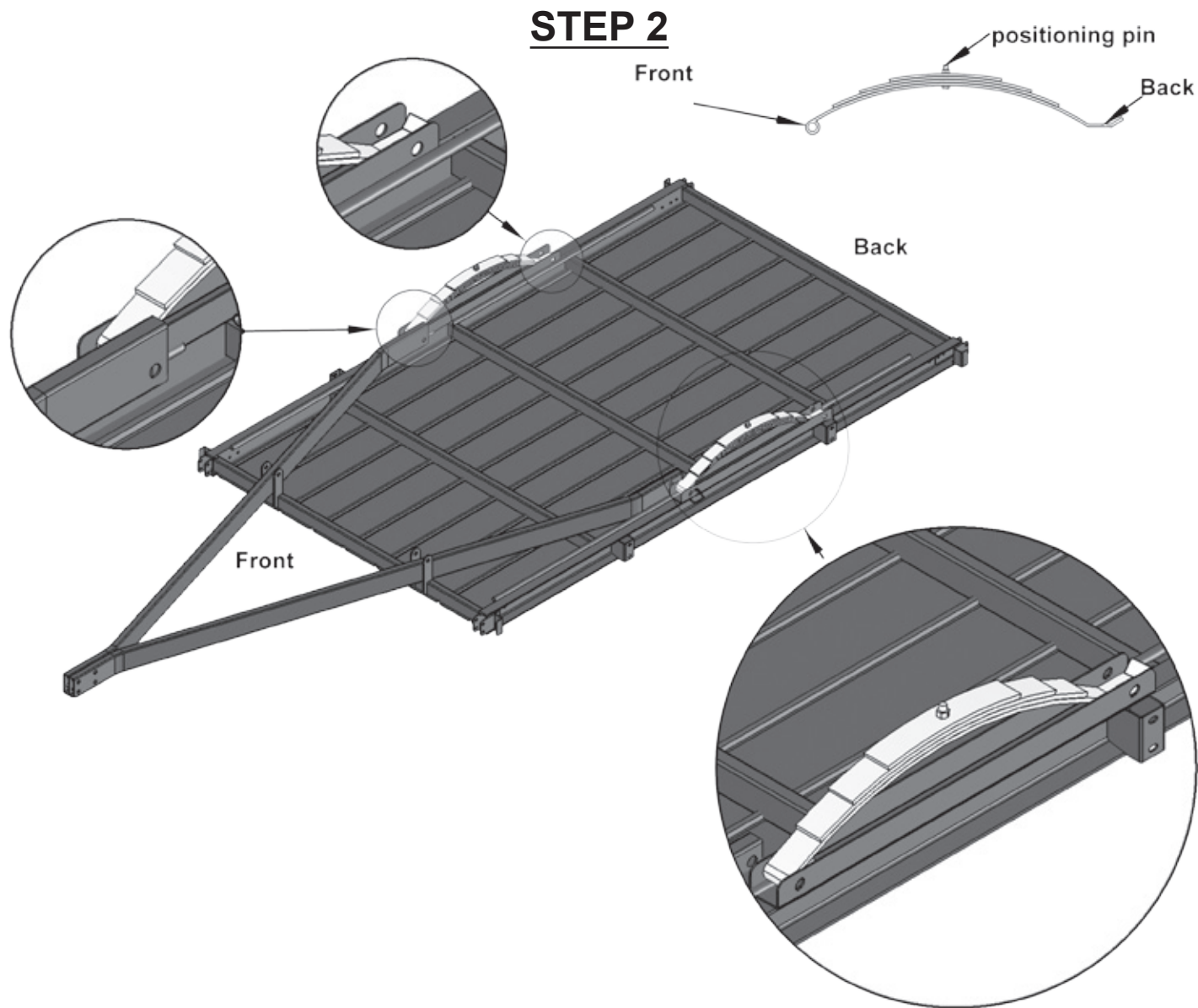
**MMT5X7-DUG**  
**(Drive up Gate)**

## STEP 1

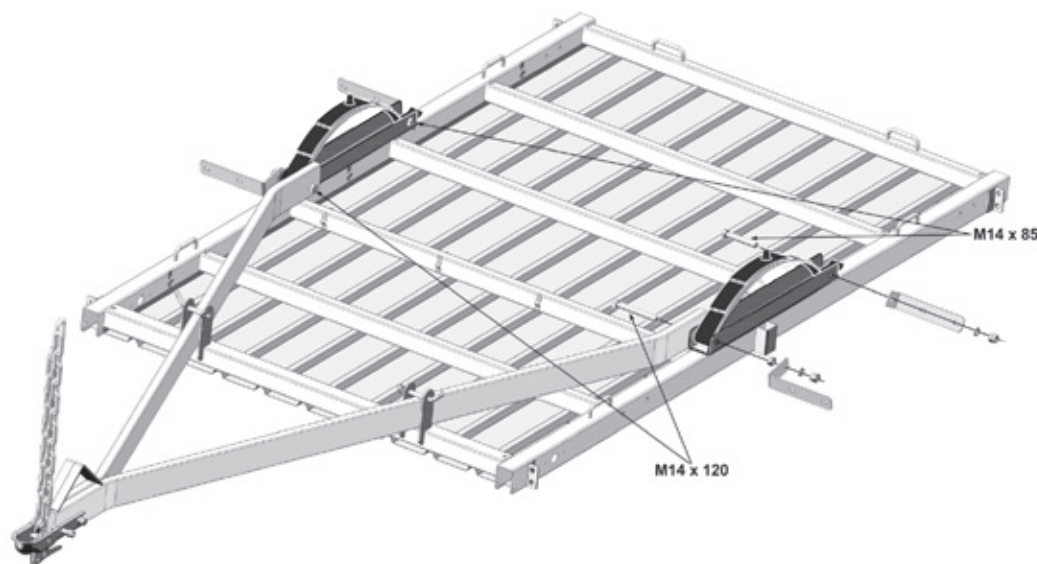
Open and unpack all items. Leave lots of working space as you will need to flip the trailer over later in the assembly.

The trailer frame is shipped upside down as shown. Leave the frame on the cardboard and use it as your work surface.





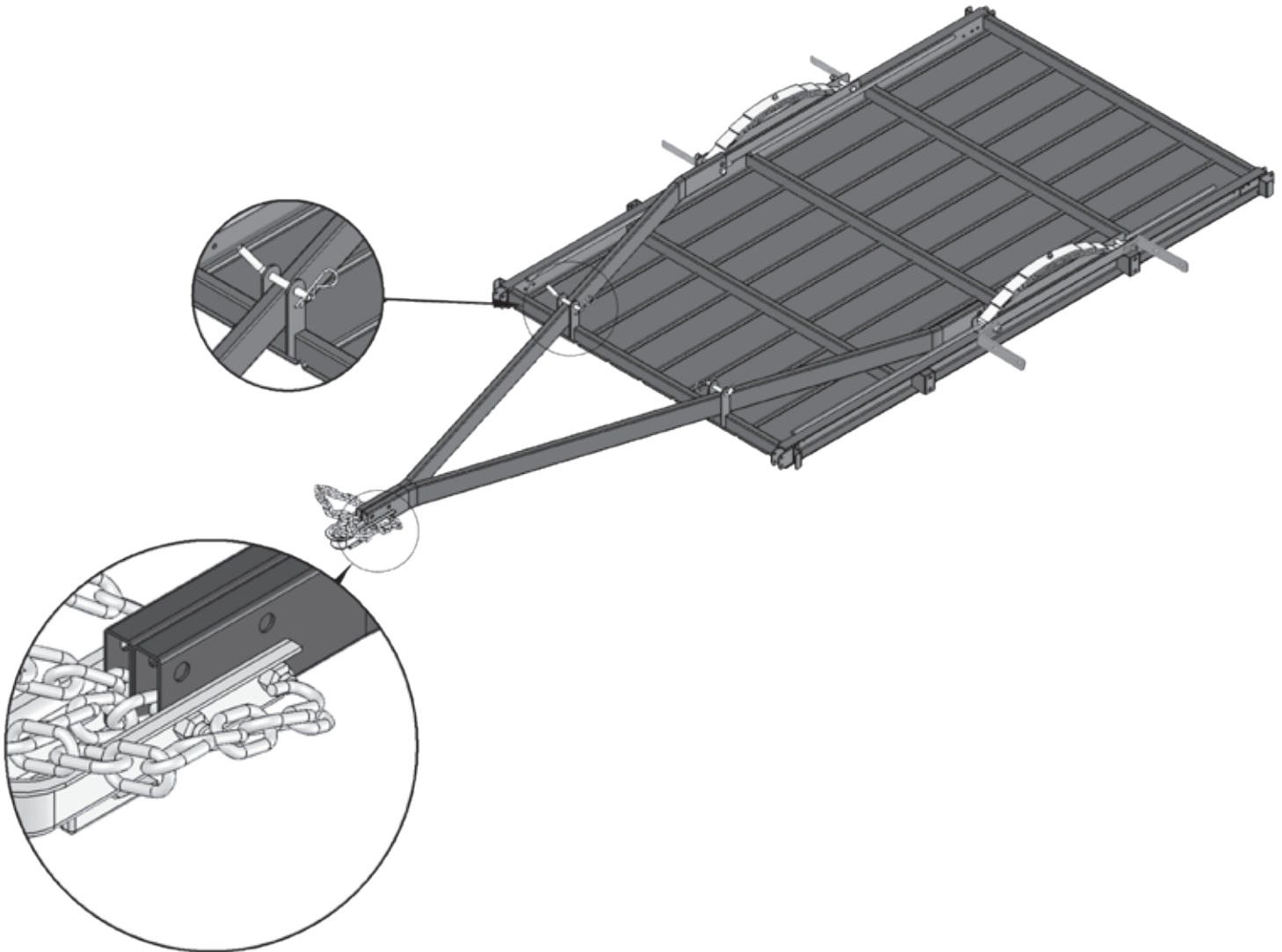
Place springs and tongue tubes as shown -the hub end of the spring faces towards the front of the trailer- insert the two M14 x 120 mm bolts from inside out through the tongue tube, then the channels, spring hubs, and fender L-brackets on the front. Use



the M14 x 85 mm bolts at the back, again inserted from the inside outward, through the channels, over the back tabs on the springs, and the rear fender L-brackets. Install the 4 washers and 6 M14 lock nuts finger tight in the locations shown.

### STEP 3

Insert the two 1/2" hitch pins as shown.



Install the coupler and safety chain using the M12 x 75 mm bolts and M12 lock nuts provided.

Find the middle link on the chain, and feed it through the side of the tongue where the wiring harness is not present. Feed your bolt through.

## STEP 4

Lay the axle across the springs. Mount the axle to the springs with the M10 U – Type bolts, left spring plate, M10 washers, and M10 nylock nuts.

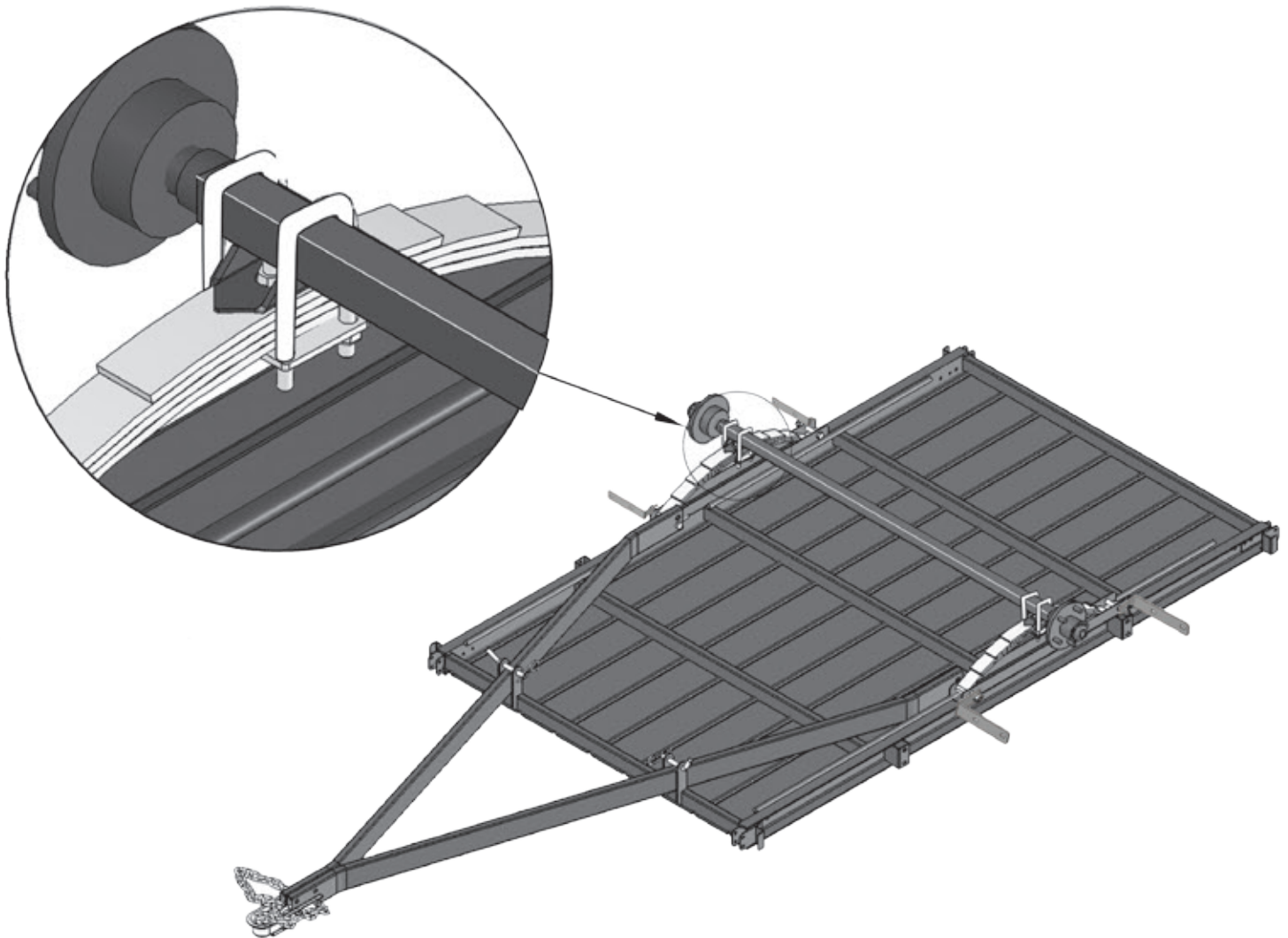
---

**NOTE:** *Insert the raised point on the spring into the concave on the axle.*

---

Make sure that the axle is in the right position.

ENGLISH

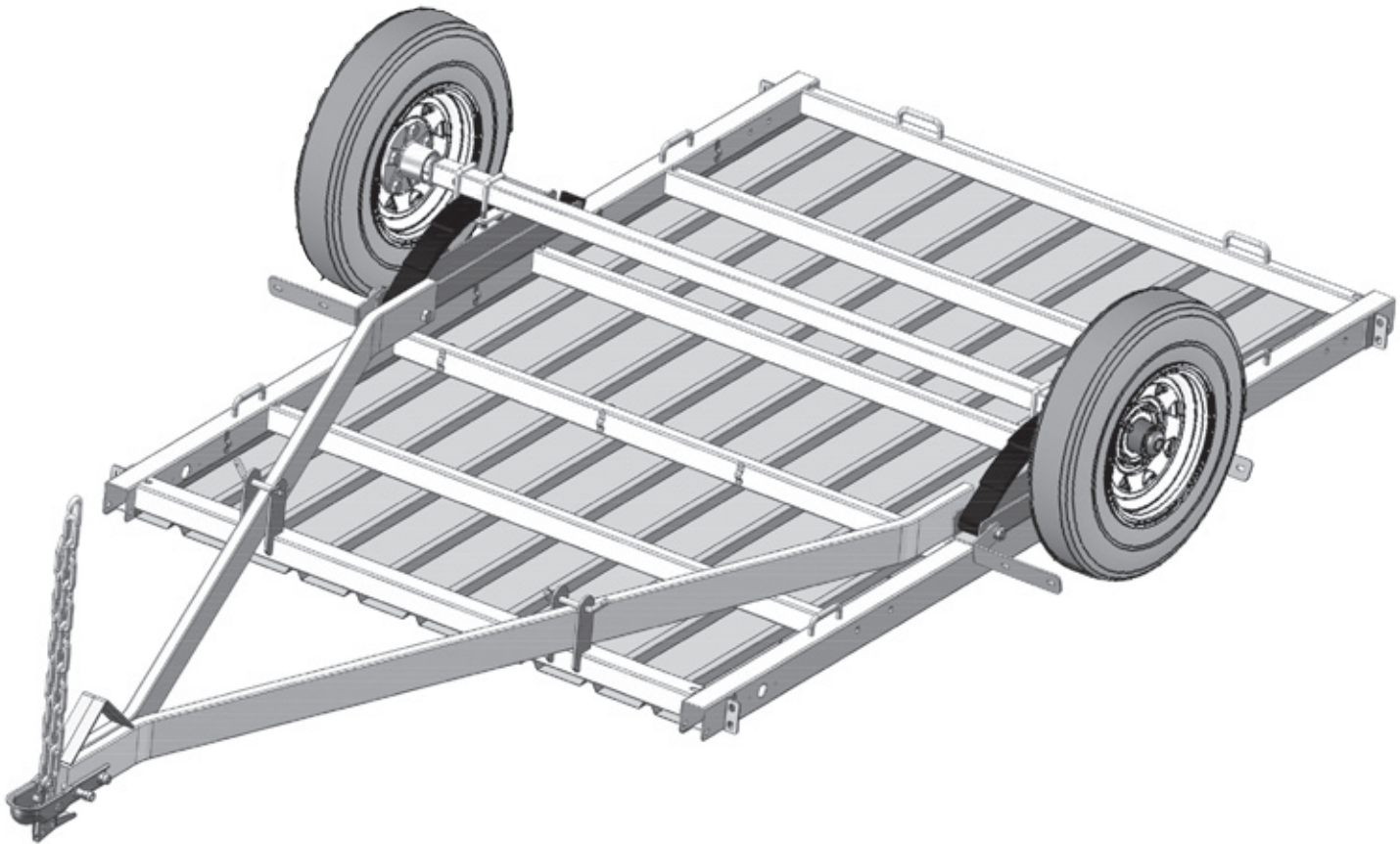


## STEP 5

Install the tires. Snug all ten wheel nuts provided.

The wheel nuts will need to be torqued after the trailer is flipped over and the wheel can be better held.

**NOTE:** *Tapered ends of wheel nuts face inward toward wheel.*



## STEP 6

### Pre-Wiring

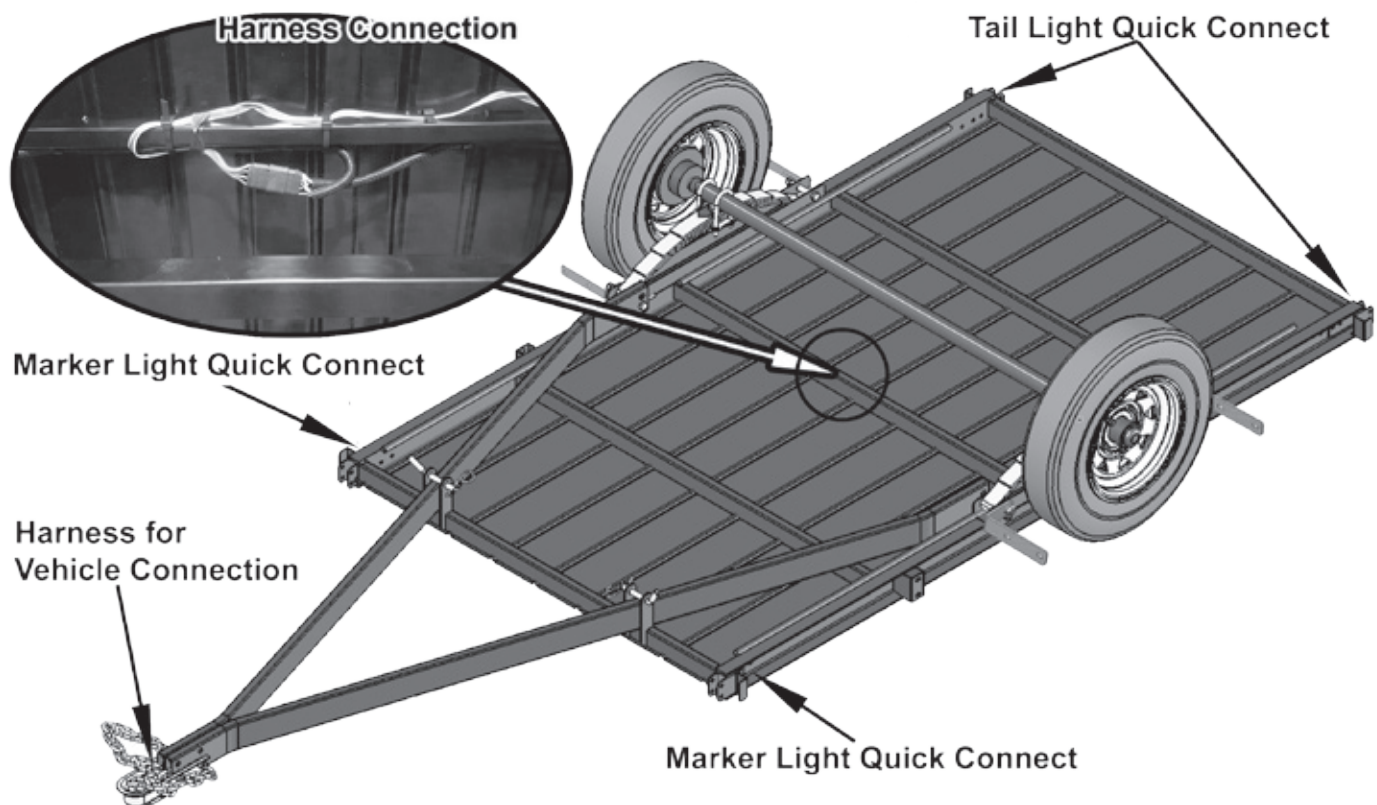
The wire harness are pre-assembled under the frame. The pre-assembled wiring harness is pre-mounted on the trailer and must be connected to the harness that goes to the front of the trailer tongue.

---

**NOTE:** *Make sure all connections are accessible for light mounting when trailer is flipped over.*

---

Mount the light assemblies onto the side of the rear portion of the frame using the M6 square neck bolts, M6 washers and M6 nylock nuts. Plug the light connector into the wire harness. Mount the side marker onto the side of the front portion of the frame using the self-tapping screws. Plug the light connector into the wire harness.



## STEP 7

### Flip the trailer over and install the fenders

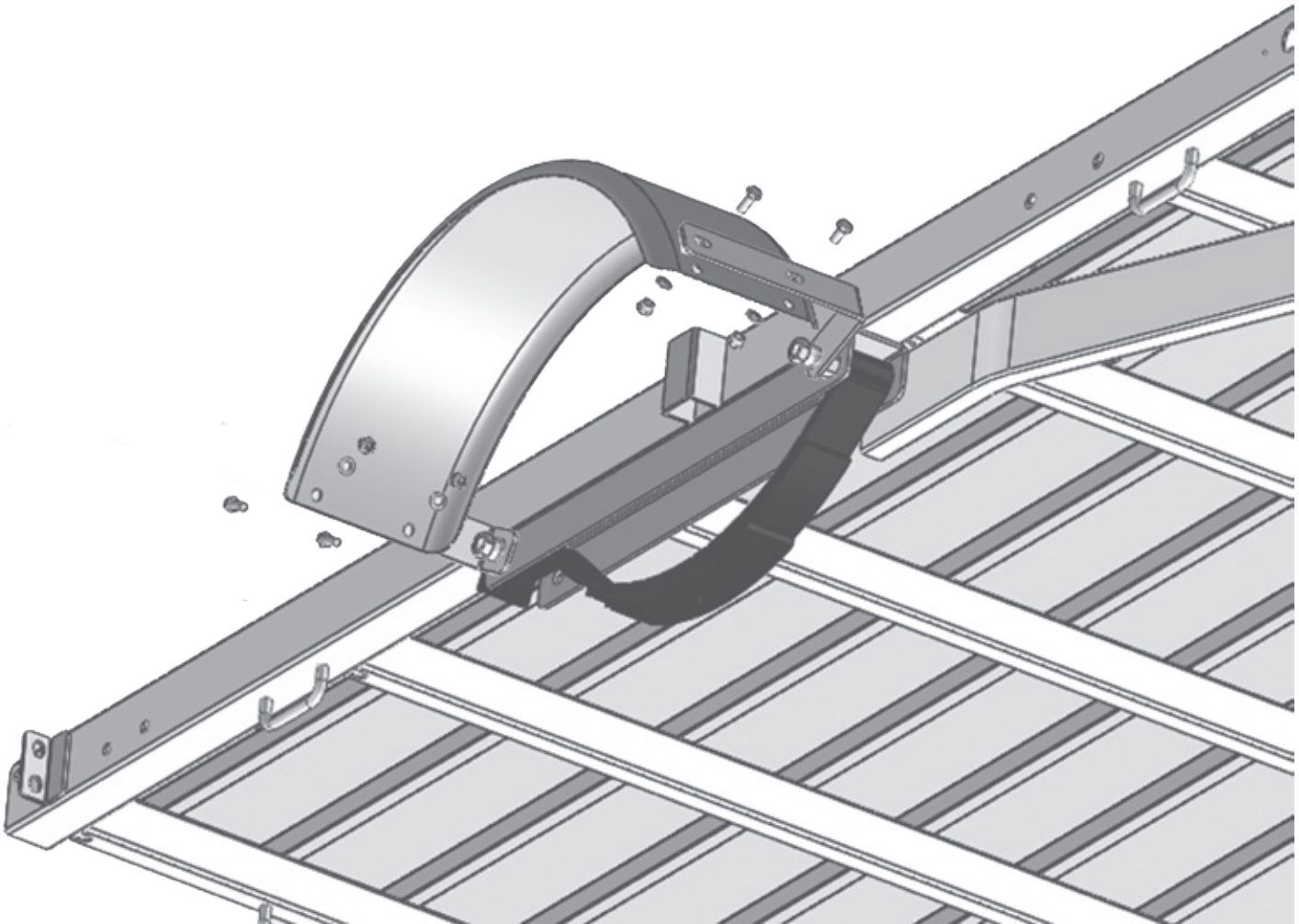


**CAUTION!** *Rolling the trailer over will require assistance. The trailer at this point weighs an estimated 400 lb. (181.4 kg).*

The fenders now need to be assembled. Secure each fender by fastening the nuts and bolts provided with the fender to the L-brackets and the channel that holds the springs in place.

Once the angle of the L-brackets is established, tighten the 4 M14 bolts through the springs until springs are secure. Do not over-tighten as it will collapse spring channel.

Shown from below in drawing with axle and wheels removed for clarity.



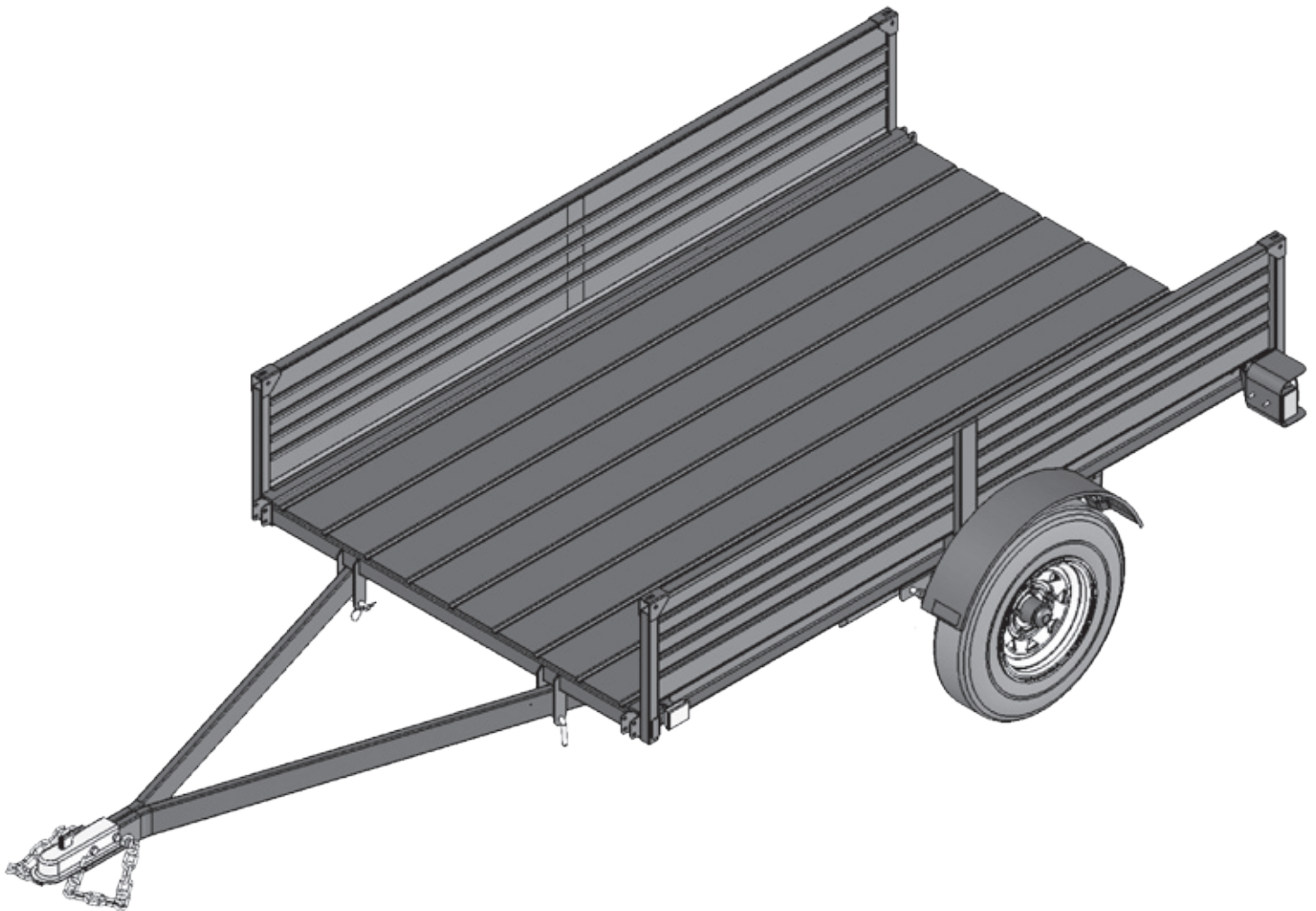


## STEP 8

### **Install side panels.**

Insert and tighten the eight (four on each side) M8 x 20 mm bolts and M8” lock nuts provided.

ENGLISH

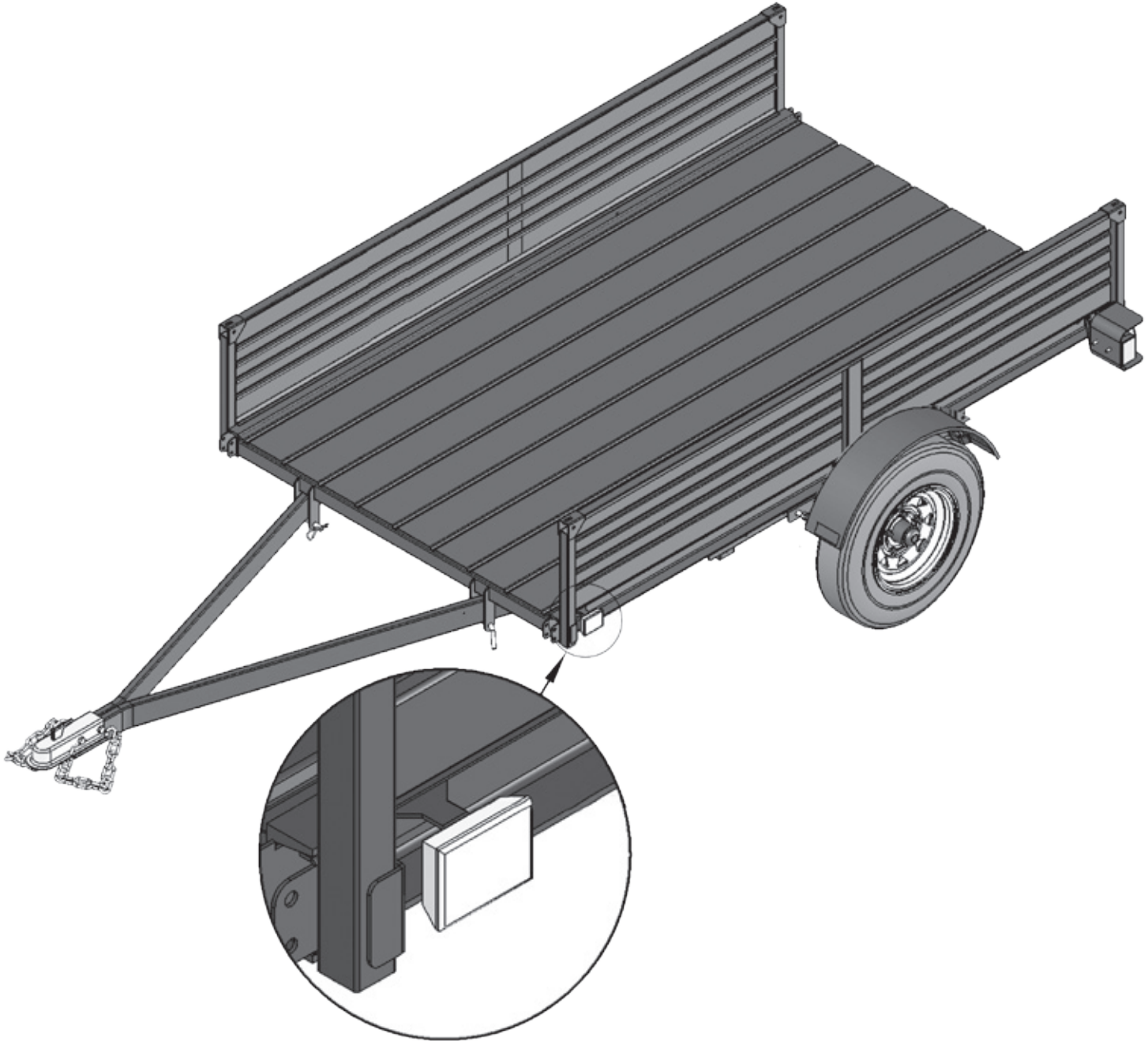


## STEP 9

### Install lights.

Installing the lights and completing the wiring.

Mount the side marker onto the side of the front portion of the frame using the self tapping screws. Plug the light connector into the wire harness.

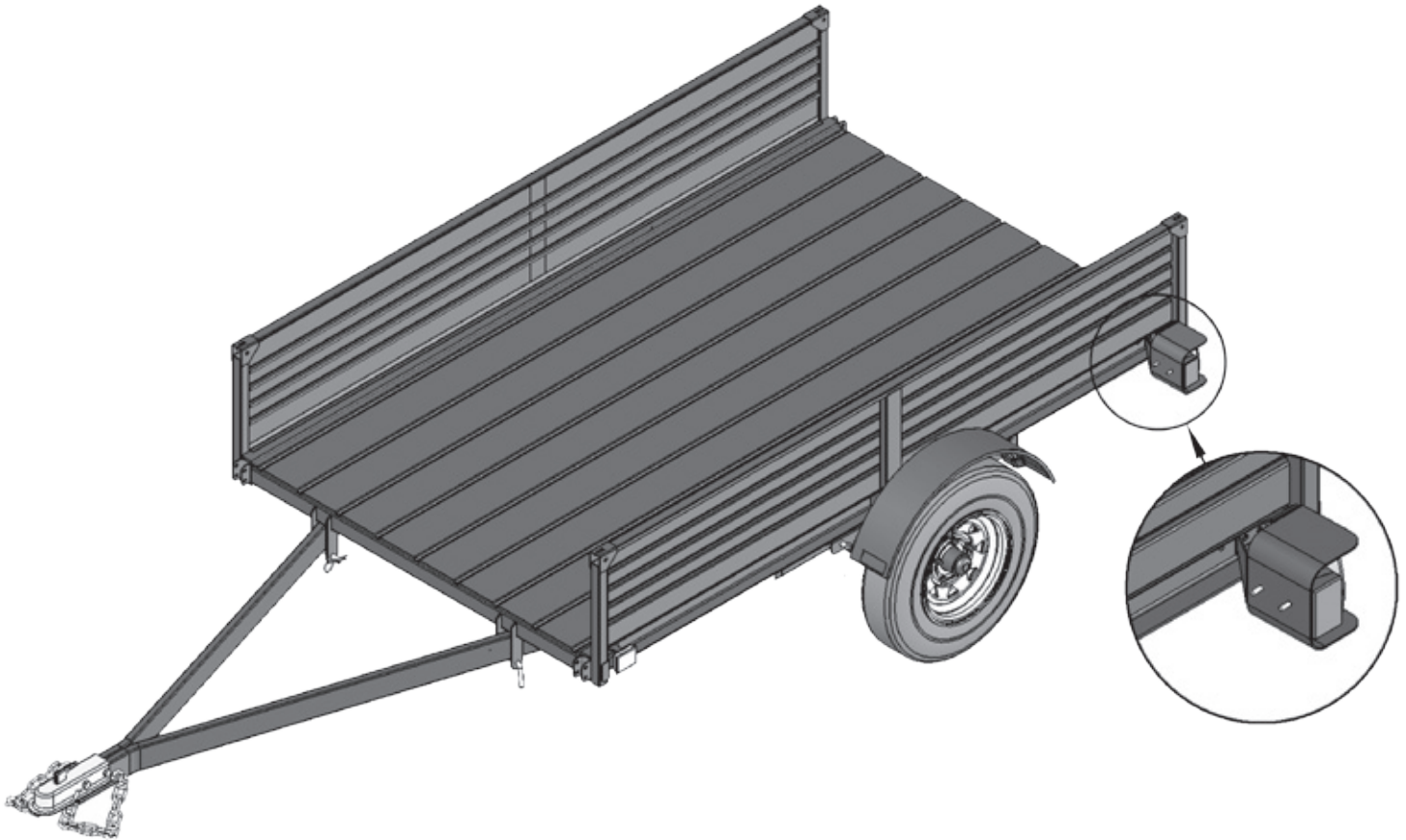


---

**NOTE:** Use Dielectric grease on each connector for corrosion prevention

---

## STEP 9 (CONTINUED)



Attach rear light brackets and install light assemblies. Connect light assembly to wiring harness.

The driver's side light is the one with the clear lenses on the bottom, the licence plate bracket needs to be installed on the driver's side as well at the same time of assembly. Attach all necessary wiring and fasten lights to side of trailer.

## STEP 10

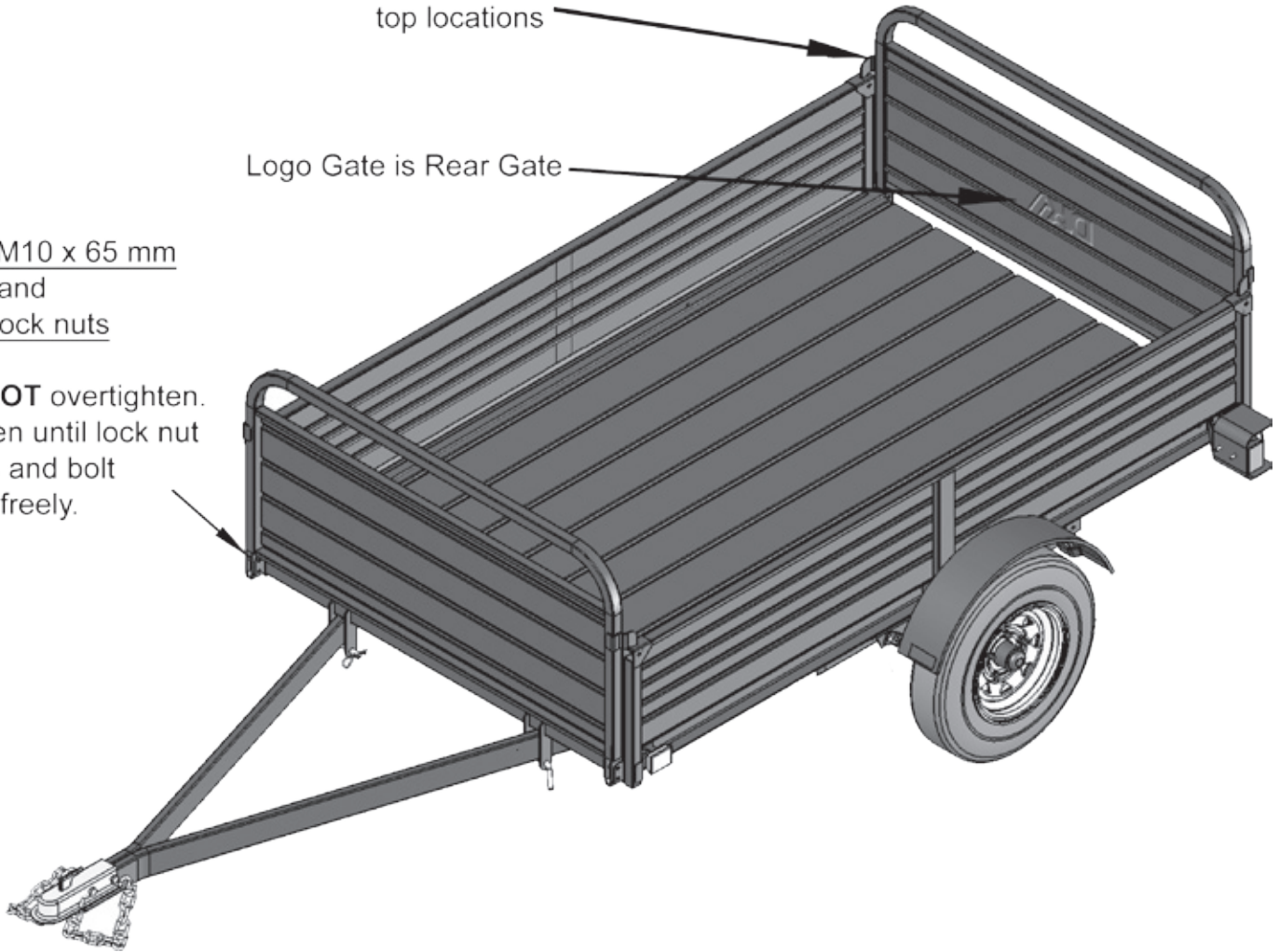
### Install gates

Pins to be used at top locations

Logo Gate is Rear Gate

Four M10 x 65 mm  
bolts and  
M10 lock nuts

**DO NOT** overtighten.  
Tighten until lock nut  
grabs and bolt  
turns freely.



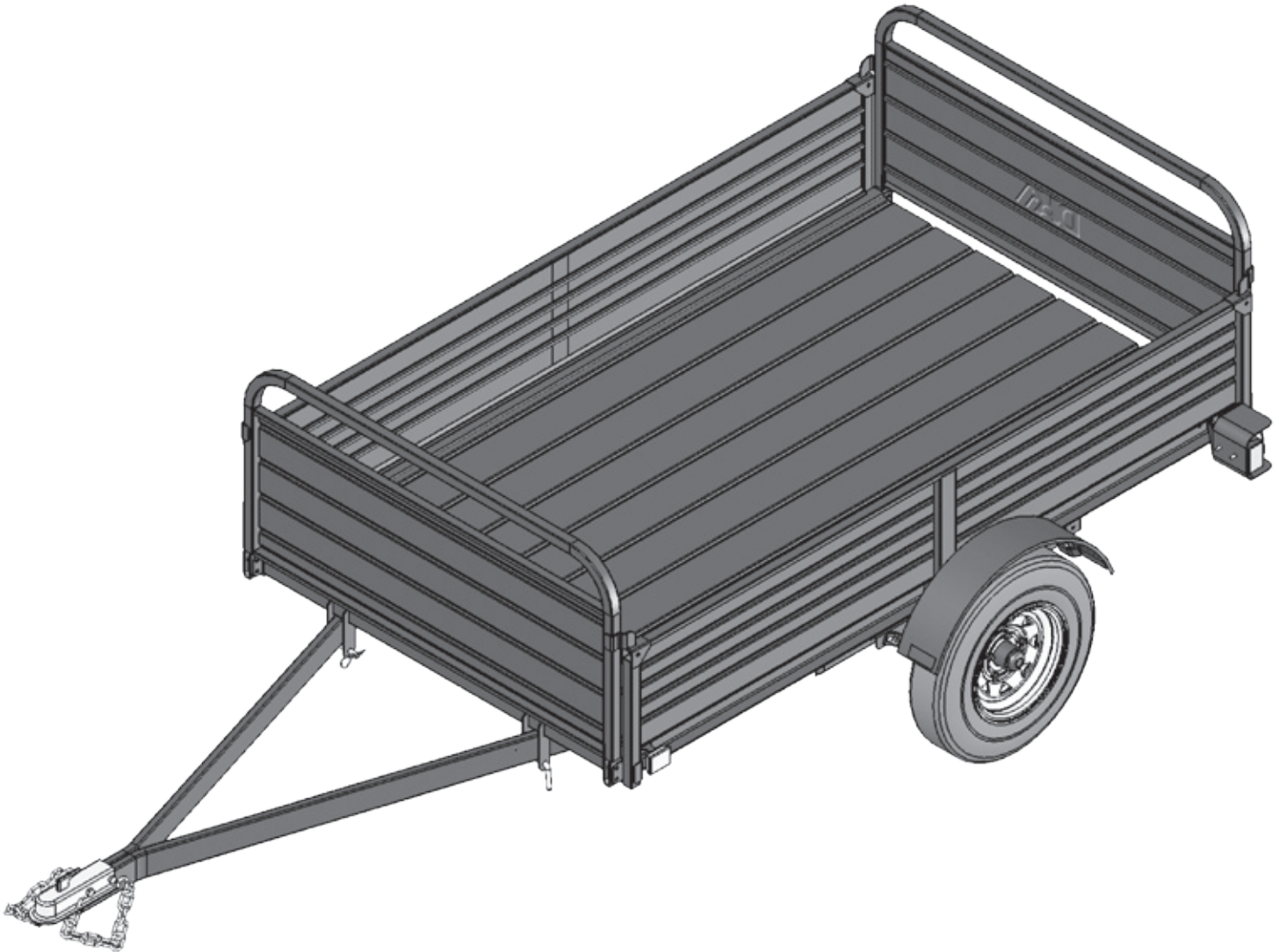
## FINAL STEPS

**MUST TORQUE WHEEL NUTS TO 80 lb.**

**Connect to vehicle to confirm all lights are working correctly.**

**Inspect trailer once more to make sure all steps were completed properly. Remember to recheck all nuts before use to make sure they are all properly tightened.**

ENGLISH



**CAUTION:** *It is the trailer owner's responsibility to periodically check all hardware is secure and fastened properly*

---



# MMT5X7 & MMT5X7-DUG (L7X) Owner's Manual

**DETAIL K2 INC.**

5330 Mainway  
Burlington Ont. L7L 6A4  
1-888-277-6960

Read the owner's manual over carefully before you begin using your trailer.

**7.5 ft.  
Utility  
Trailer**



**MMT5X7**



**MMT5X7-DUG**  
(Drive up Gate)

The following pages contain the assembly diagrams and complete parts list

## IMPORTANT SAFETY CHECK LIST

Trailers are generally not used everyday. Your trailer may sit for extended periods of time between uses making it very important to check all components thoroughly before each use. Following these simple instructions will maximize the life of your trailer and help you safely transport your cargo.

**DO NOT ABUSE THE TRAILER. Trailer performance is best if you follow the guidelines set forth in this manual. Do not force the trailer to do a job it's not designed for. Know your trailer; learn its applications and limitations.**

1. Make sure the towing vehicle as well as the hitch is capable of towing the trailer. Check your vehicle owner's manual for trailering ratings.
2. Inspect the trailer and all of its parts before each use.
3. Check the operation of all lights. Operating lights are mandatory on a trailer.
4. Check to ensure Wheel Bolts are tight. Torque to 80 ft.-lbs. Re-tighten after the first 50 miles or 80 kilometers.
5. Check the tire pressure. Maximum 80 PSI (552 KPA) when carrying the maximum rated load.
6. Re-pack the wheel bearings every 2000 miles or 3200 kilometers or a minimum of once every year.
7. Check that the trailer coupler is fastened securely onto the trailer ball. The trailer ball must be a 2" ball.
8. Make sure the safety chain is attached to the trailer and the towing vehicle.
9. If your trailer has an optional side kit, make sure all bolts and pins are in place before transporting your trailer.
10. Do not exceed the Gross Vehicle Weight Rating (G.V.W.R.) which is shown on the trailer serial / certification label.
11. Balance and secure the load on the trailer. See "Trailer Loading" section in this manual.
12. Lubrication of the coupler, springs and the tilt mechanism should be done periodically to stop corrosion and keep parts moving freely.



### **DANGER**

- **KEEP CHILDREN AWAY.** Be sure children are kept a safe distance from the trailer operating area.
- **NEVER SIT OR RIDE ON THE TRAILER.** Serious injury or death could occur.
- **EXERCISE EXTREME CAUTION WHEN TILTING THE TRAILER.** There are many areas of the trailer where injury can occur if used improperly. The trailer may tilt quickly and unexpectedly during the loading and unloading process. The tilt option should not be used for heavy loads.
- Ramps should be used for loading heavy items.
- **DO NOT** drive with the trailer in the tilted position.
- **DO NOT** load more than one all-terrain vehicle on to this trailer.
- If the trailer is incorrectly attached to the vehicle, it could pull away from the vehicle and fall off.
- Secure trailer to the towing vehicle before transportation. Make sure coupler is locked and the safety chains are attached to the trailer and the vehicle.
- Secure your cargo into the trailer properly and in compliance to local laws.
- When driving do not exceed the speed limit. Braking time can be considerably longer when a vehicle is towing a loaded trailer.
- Any modifications made to the trailer or parts of the trailer will void the trailer warranty and release Detail K2 Inc. of any responsibility for damages, injuries or accidents incurred.

#### **Replacement Lenses**

Rear Red Lens (Large)	41237
Rear Red Lens (Small)	41238
Marker Lens (Orange)	41239

- **ONLY USE ORIGINAL EQUIPMENT PARTS AND ACCESSORIES.** Consult **Detail K2 Inc.** for the recommended accessories. The use of improper accessories may cause hazards or injuries.

# LIGHTING & WIRING MAINTENANCE

## WIRING LEGEND

Symbol	Color	Description	Operation	
G	Green Wire	Passenger Side (Right)	Right Signal	Brake
B	Brown Wire	Running Lights	Tail light marker	Yellow Front Side Markers
Y	Yellow Wire	Driver Side (Left)	Left Signal	Brake
W	White Wire	Ground	Trailer Ground	

- **NOTE:** Brake light goes out on the side that is signaling.
- Lower filament (Brighter light) = Brake & Signal
- Higher Filament (Dimmer Light) = Running Lights

### To test vehicle wiring;

You will need a 12v light tester. Attach the wire clamp of the tester to the ground wire on the vehicle plug. Then touch the tester pin into one of the vehicle plug contacts. Turn on the corresponding vehicle operation i.e. Running lights. This will illuminate the tester light if the vehicle wiring is correct. Follow this same procedure for the signal and brake lights.

### To test the Trailer wiring;

Once you have confirmed that the vehicle trailer plug is operating properly, connect the trailer plug to your vehicle. Proceed to test each of the lights and power leads using your 12v light tester. Follow the wiring legend and diagram to test each corresponding wire for power when trailer light is not operating. Always be sure to check your brake, running and signal lights before each use. Make sure that all of your connections are solid and that all wiring is in good condition.

**Note: Bare, stripped or pinched wire will cause a short in the trailer, which will cause the vehicle fuse to blow. A solid ground is required for your lights to work properly. All contacts must be to bare metal. Light covers should be well maintained and kept clean. Be sure that your lights are always visible, not obstructed by your load.**

## LOADING YOUR TRAILER

A/B. Distribute the weight evenly.

- C. Center the load over the axle, keeping about 10% of the weight on the tongue. (If vehicle wheels are not on a crossbeam you will need to add wood to the floor to support each axle).
- D. Center the load from side to side.
- E. Always secure your cargo into the trailer properly and in compliance to local laws.



## CAUTION

Do not build your trailer load higher than 3'. Higher loading will affect trailer handling due to increased wind resistance. This may cause violent movements, accidents and serious injury.

### TRAILER CAPACITY:

- Never overload your trailer. Each trailer has a maximum payload that should not be exceeded. Overloading your trailer could cause serious damage to your trailer as well as the towing vehicle. Please refer to your trailer serial / certification label located on the frame of the trailer for capacity details.
- The Gross Vehicle Weight Rating (G.V.W.R.) is:  
The Weight of the Trailer + The Maximum payload the trailer can carry. The trailer weight and the payload must not exceed this (G.V.W.R.) weight rating.
- Be sure that any load carried in your trailer does not extend beyond the frame of your trailer. Never place loads on one side only.

### Tongue Weight

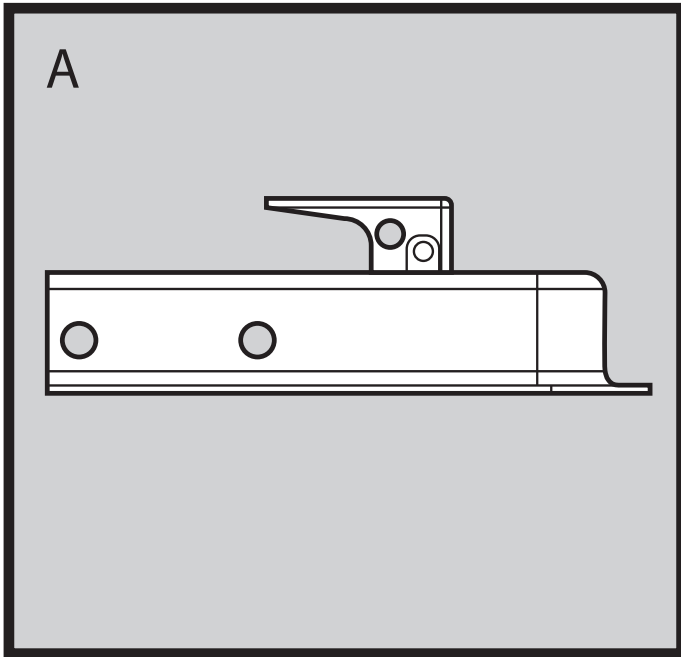
- The tongue weight is 10% of the load (this does not include the weight of the trailer).
- The load is divided so that 90% of the load is over the axle and 10% is over the tongue.



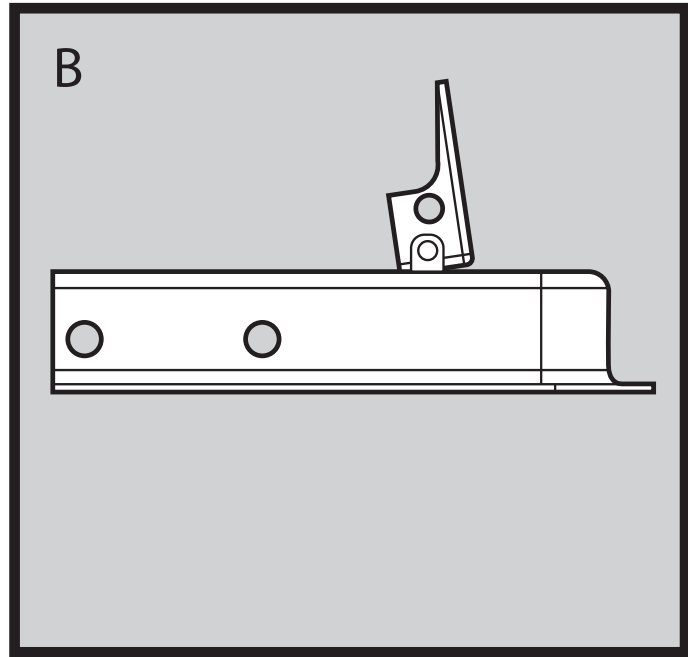
# TRAILER COUPLER

ENGLISH

**A = Locked**



**B = Unlocked**



**To adjust coupler to ball;**

Set coupler and tongue on to the 2" trailer ball on your vehicle.

Raise the locking lever, push up on channel lock and turn nut to tighten or loosen the coupler.

Proper adjustment is obtained when coupler is as tight as possible on the ball and locking lever can still be opened and closed.

**Before towing your trailer be sure to check the capacity of your trailer hitch on your vehicle (never exceed this or your trailers capacity).** The Detail K2 Trailer is equipped with a 2" coupler and must be used with a 2" trailer ball. Make sure that the trailer ball is completely engaged in the coupler ball

## WHEEL BEARING & HUB ASSEMBLY

**NOTE:** Bearings should be re-packed every 2000 miles or 3200 kilometers.

---

**NO PARTS ARE MORE CRITICAL FOR THE DEPENDABLE PERFORMANCE OF YOUR TRAILER THAN THE BEARINGS, RACES, AND SEALS. TO ENSURE THAT YOUR TRAILER PERFORMS RELIABLY, YOU SHOULD INSPECT THE BEARINGS, RACES, AND SEALS AND REPACK THE BEARINGS EVERY 12 MONTHS OR 2000 mi. (3200 km). THIS IS EASILY FOUND ON THE INTERNET BY SEARCHING "TRAILER WHEEL BEARINGS MAINTENANCE"**

---

Item #	Description	Qty.
1	1" Axle Bearing Kit	1
1A	Bearing Cup (press fit)	2
1B	1" Bearing Cone	2
1C	Grease Seal	1
1D	2" Axle Dust Cap	1

Item #	Description	Qty.
1E	1" Axle Castle Nut	1
1F	3/16" Cotter Pin	1
2	Hub (bare) with bearing race	1
3	Axle c/w hubs and bearings	1

Part # \_\_\_\_\_ Axle Bearing Kit includes all parts 1A to 1E.

**Note: Part 1A Bearing Race is press fit into the Hub and may not need to be replaced when changing bearings.**

## **Re-packing Wheel Bearings**

1. Loosen wheel bolts (Do not remove!).
2. Support trailer so the wheel is off the ground. (jack stand – floor jack – block)
3. Remove nuts and wheel.
4. Disassemble hub
5. Clean hub and pack bearings with wheel bearing grease.
6. Re-install bearings, nut and cotter pin.

**Caution: DO NOT over tighten nut. The hub must turn freely and without play.**

7. Re-attach bolts and wheel. (Torque to 80 lbs.)

## **TRAILER LICENSING**

The Detail K2 kit trailer **MUST BE CERTIFIED** after assembly by a local garage which is approved and holds a license to provide safety certificates for roadway vehicles.

In order to register your trailer with the Department of Motor Vehicles or Ministry of Transportation and obtain a license plate you will need to have either the NVIS form in Canada or the Manufacturers Certificate of Origin in the US filled out and signed by the dealer transferring ownership to you. This form is found in your trailer manual package. Take this form along with the bill of sale (cash register receipt) and safety certificate to your local Department of Motor Vehicles or Ministry of Transportation licensing office. Once you pay the appropriate fees you will be issued a title or registration and license plate to be attached to the trailer.

### **US Residents**

#### **To Contact National Highway Traffic Safety Administration**

If you believe that your vehicle has a defect, which could cause an accident, personal injury or death, immediately inform the National Highway Traffic Safety Administration (NHTSA) in addition to notifying Detail K2

If NHTSA receives similar complaints, or finds safety defects existing in a group of vehicles it may open an investigation or order a recall and remedy campaign. However, NHTSA cannot become involved in individual problems between you, your dealer, or Detail K2.

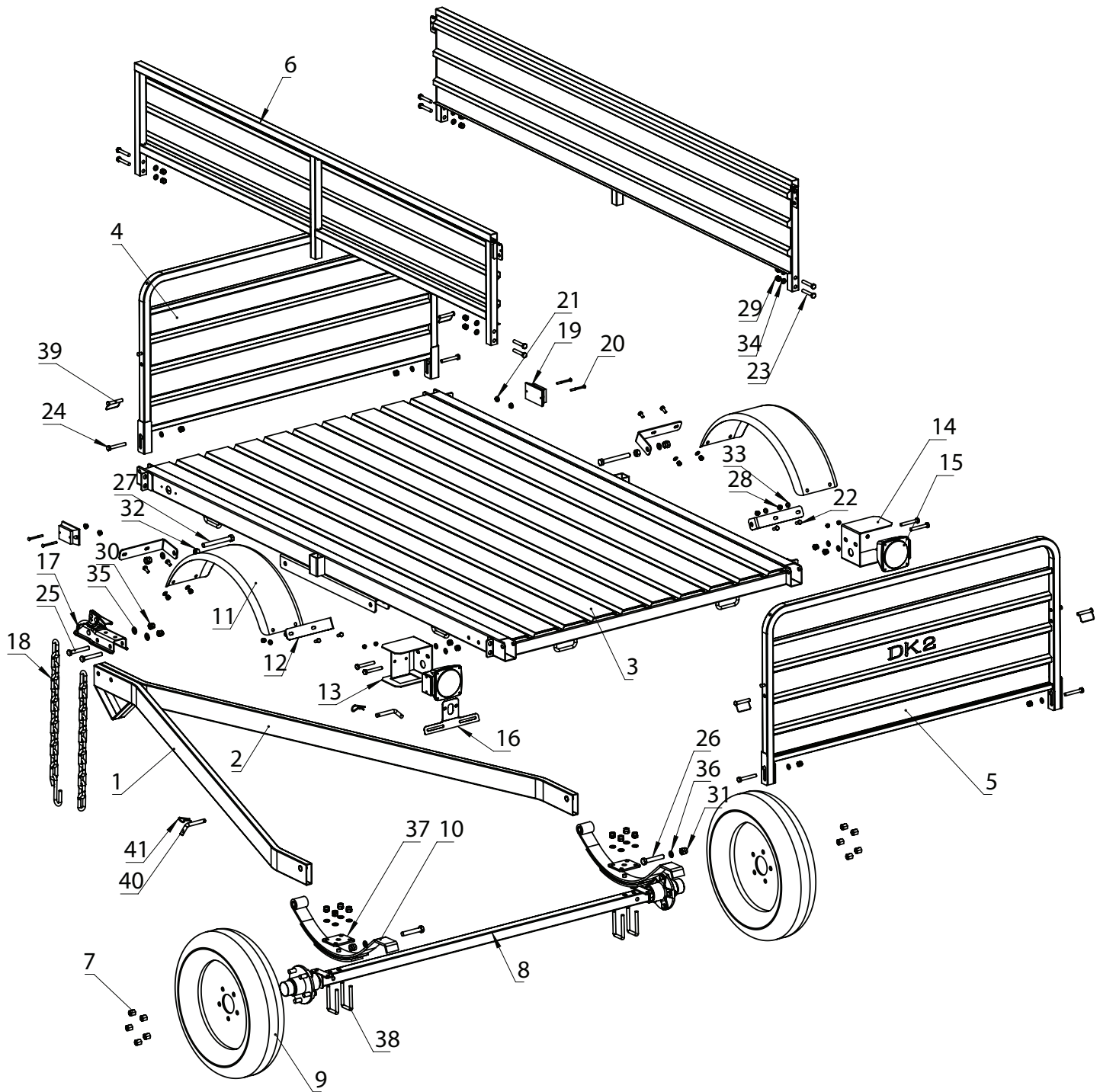
To contact NHTSA, you may either call the Auto Safety Hotline toll-free at 1-800-424-9393 (or 366-0123 in Washington, DC area) or write to: NHTSA, U.S. Department of Transportation, Washington, DC 20590.

# PARTS LIST

Part No.	Description	Qty.
MMT5X7 <b>1</b> L7X	Left drawbar	1
MMT5X7 <b>2</b> L7X	Right drawbar	1
MMT5X7 <b>3</b> L7X	Body	1
MMT5X7 <b>4</b> L7X	Front gate	1
MMT5X7 <b>5</b> L7X	Back gate	1
MMT5X7 <b>6</b> L7X	Side panel	2
MMT5X7 <b>7</b> L7X	Wheel nut	10
MMT5X7 <b>8</b> L7X	Axle	1
MMT5X7 <b>9</b> L7X	Wheel	2
MMT5X7 <b>10</b> L7X	3-leaf spring	2
MMT5X7 <b>11</b> L7X	Fender	2
MMT5X7 <b>12</b> L7X	Fender L-bracket front & rear	4
MMT5X7 <b>13</b> L7X	Left light housing	1
MMT5X7 <b>14</b> L7X	Right light housing	1
MMT5X7 <b>15</b> L7X	Tail light with harness	2
MMT5X7 <b>16</b> L7X	License holder	1
MMT5X7 <b>17</b> L7X	Coupler	1
MMT5X7 <b>18</b> L7X	Safety chain	1
MMT5X7 <b>19</b> L7X	Side amber clearance light	2
MMT5X7 <b>20</b> L7X	Side marker bolts	4
MMT5X7 <b>21</b> L7X	Side marker nut	4
MMT5X7 <b>22</b> L7X	M8 x 20 hex bolt	8
MMT5X7 <b>23</b> L7X	M10 x 50 hex bolt	8
MMT5X7 <b>24</b> L7X	M10 x 70 hex bolt	8
MMT5X7 <b>25</b> L7X	M12 x 80 hex bolt	2
MMT5X7 <b>26</b> L7X	M14 x 85 hex bolt	2
MMT5X7 <b>27</b> L7X	M14 x 120 hex bolt	2
MMT5X7 <b>28</b> L7X	M8 lock nut	8
MMT5X7 <b>29</b> L7X	M10 lock nut	24
MMT5X7 <b>30</b> L7X	M12 lock nut	2
MMT5X7 <b>31</b> L7X	M14 lock nut	4
MMT5X7 <b>32</b> L7X	M14 hex nut	2
MMT5X7 <b>33</b> L7X	ø8 flat washer	8
MMT5X7 <b>34</b> L7X	ø10 flat washer	24
MMT5X7 <b>35</b> L7X	ø12 flat washer	2
MMT5X7 <b>36</b> L7X	ø14 flat washer	4
MMT5X7 <b>37</b> L7X	Axle fish plate	2
MMT5X7 <b>38</b> L7X	M10 U-bolt	4
MMT5X7 <b>39</b> L7X	Gate clip pin	4
MMT5X7 <b>40</b> L7X	L-pin	2
MMT5X7 <b>41</b> L7X	R-clip	2

# SCHEMATIC DRAWING

ENGLISH





**Guide d'assemblage de la remorque  
Modèle MMT5X7 & MMT5X7-DUG (L7X)  
Remorque 2050 GVWR tout acier**

**DETAIL K2 INC.**

5330 Mainway  
Burlington Ont. L7L 6A4  
1-888-277-6960

**7.5 pi (229 cm)  
Remorque  
Utilitaire**



**MMT5X7**

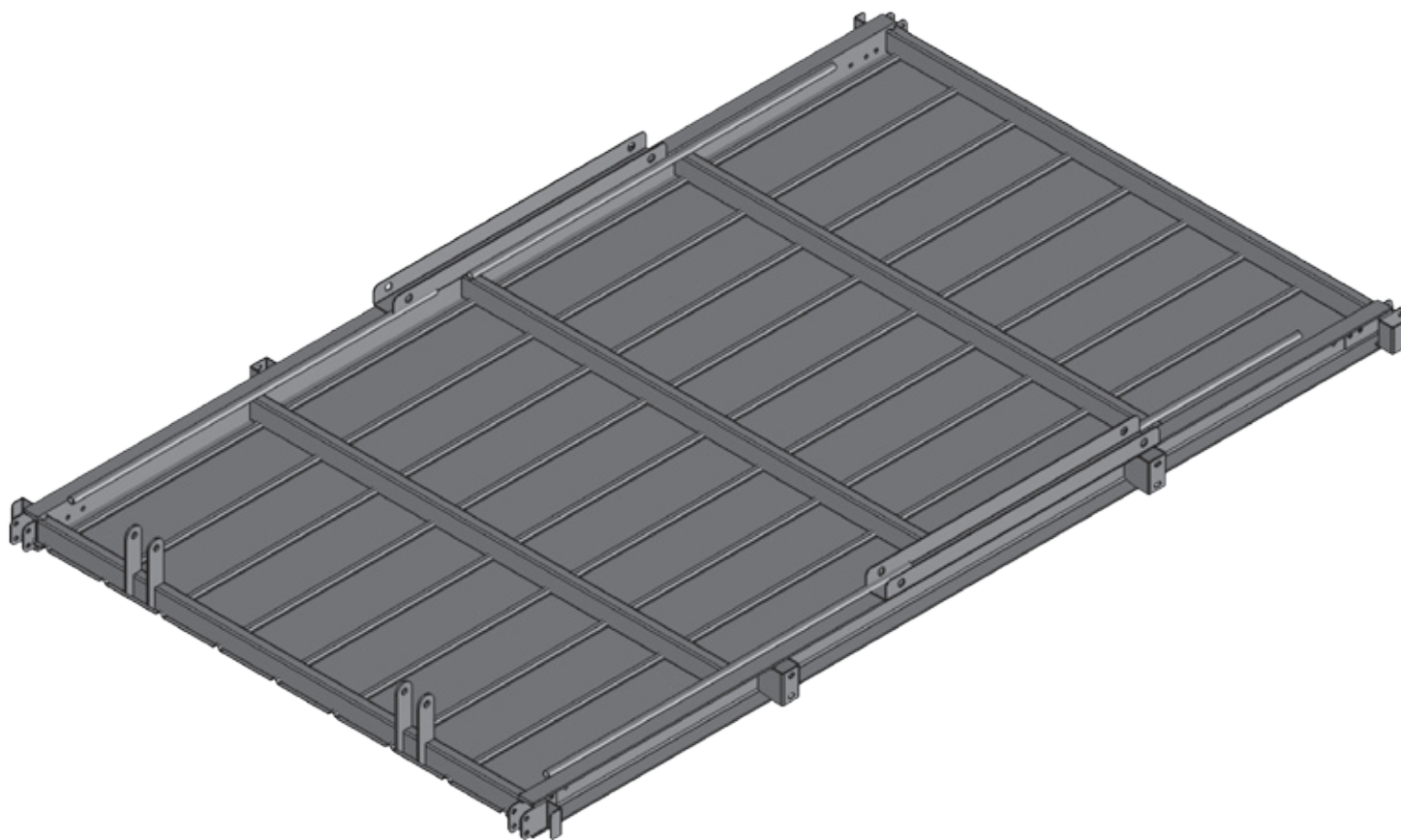


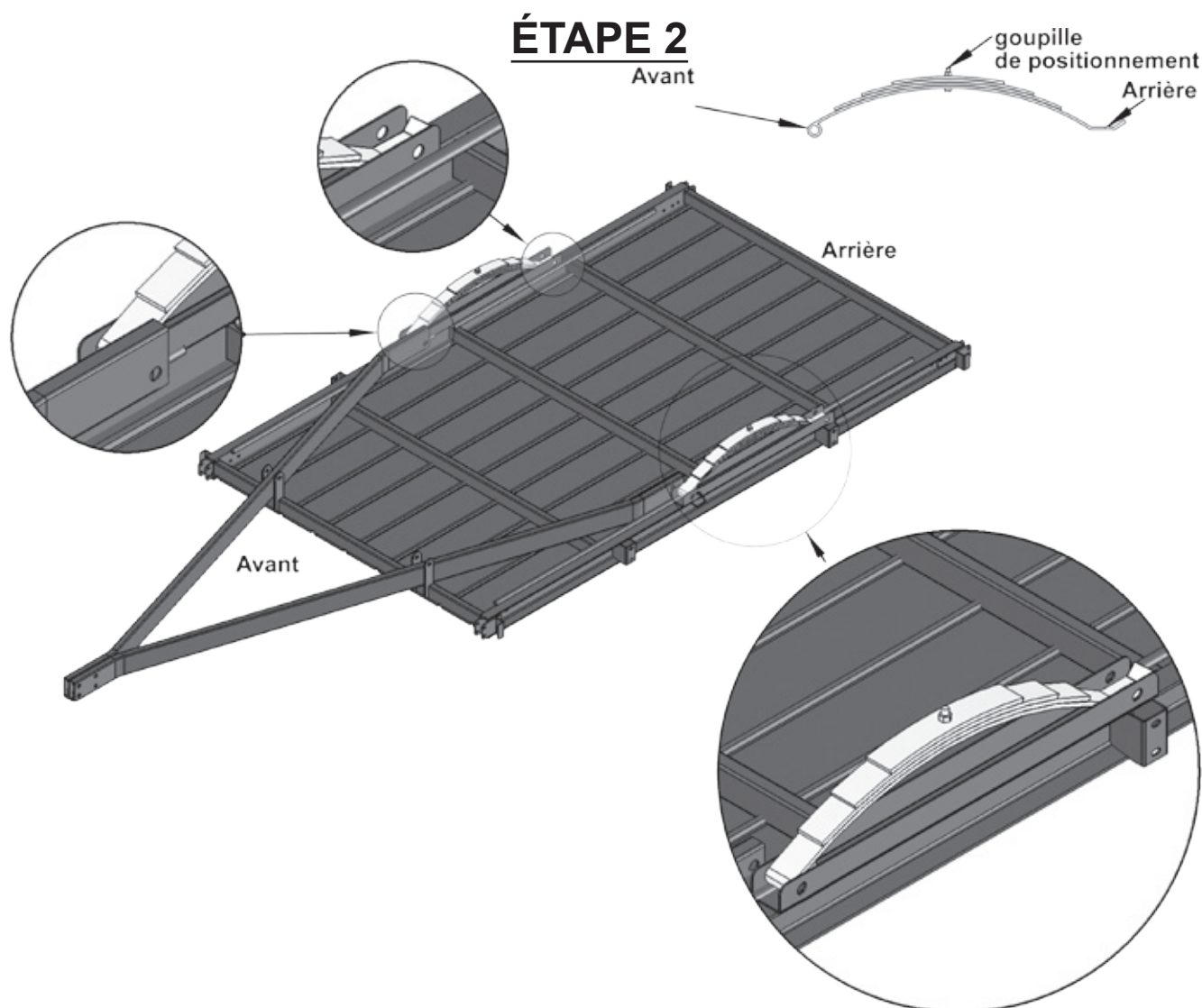
**MMT5X7-DUG**  
(Drive up Gate)

## ÉTAPE 1

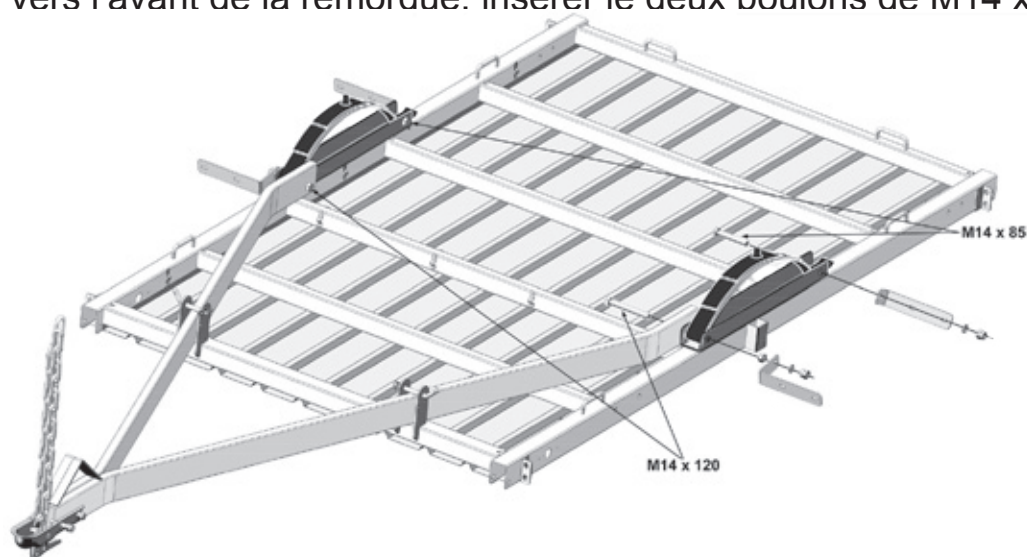
Ouvrez et déballez tous les articles. Laissez-vous beaucoup d'espace de travail car vous en aurez besoin de retourner la remorque plus tard dans l'assemblage.

Le châssis de la remorque est expédié à l'envers, tel qu'illustré. Laissez le châssis de la remorque sur le carton et l'utiliser comme votre surface de travail.





Placer les ressorts et les deux tubes de pole tel qu'indiqué, le bout avant du ressort vers l'avant de la remorque. insérer le deux boulons de M14 x 120 mm par l'intérieur à



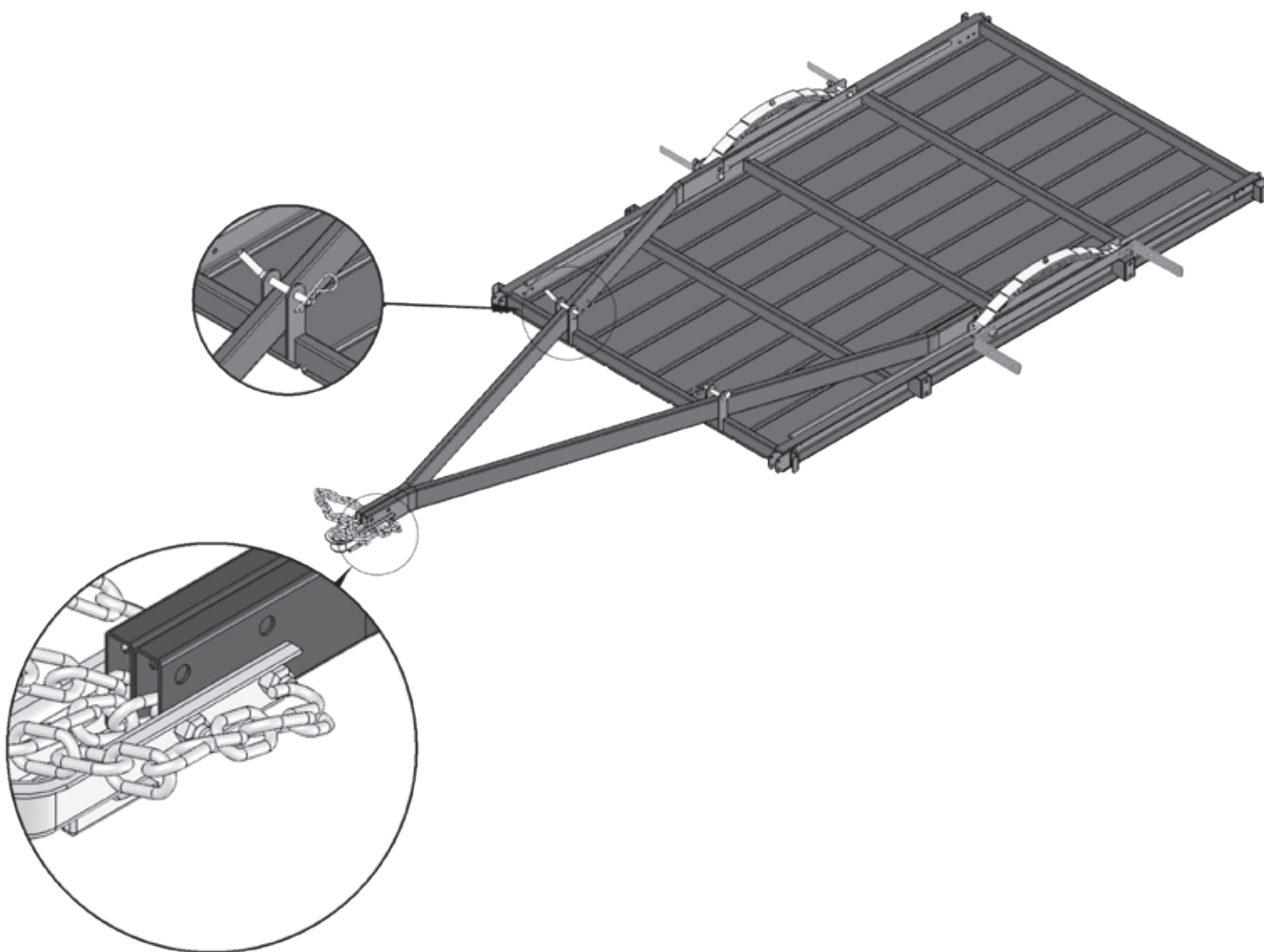
travers le tube de pole et à travers puis le cadre, les moyeux de ressort et les supports en L à l'avant du ressort. Utiliser les boulons de M14 x 85 mm pour l'arrière, pour ceux-ci aussi de l'intérieur vers l'extérieur. Installé les écrous de blocage 9/16 serré à main à

l'extérieur du cadre, à travers le cadre, au-dessus des languettes arrière des ressorts et des supports en L à l'arrière de l'aile.

Serrer les 4 rondelles et les écrous autobloquants M14 en les serrant à la main dans les locations indiquées jusqu'à ce que le ressort soit sécurisé. Ne serrez pas trop car il pourrait affaisser le cadre du châssis.

### ÉTAPE 3

Insérez les deux goupilles d'attelage 1/2 po comme indiqué.



Installez le coupleur et la chaîne de sécurité à l'aide des boulons M12 x 75 mm et des contre-écrous M12 fournis.

Trouvez le maillon du milieu sur la chaîne et faites-le passer par le côté du timon où le harnais de câbles n'est pas. Faites passer votre boulon à travers.



## ÉTAPE 4

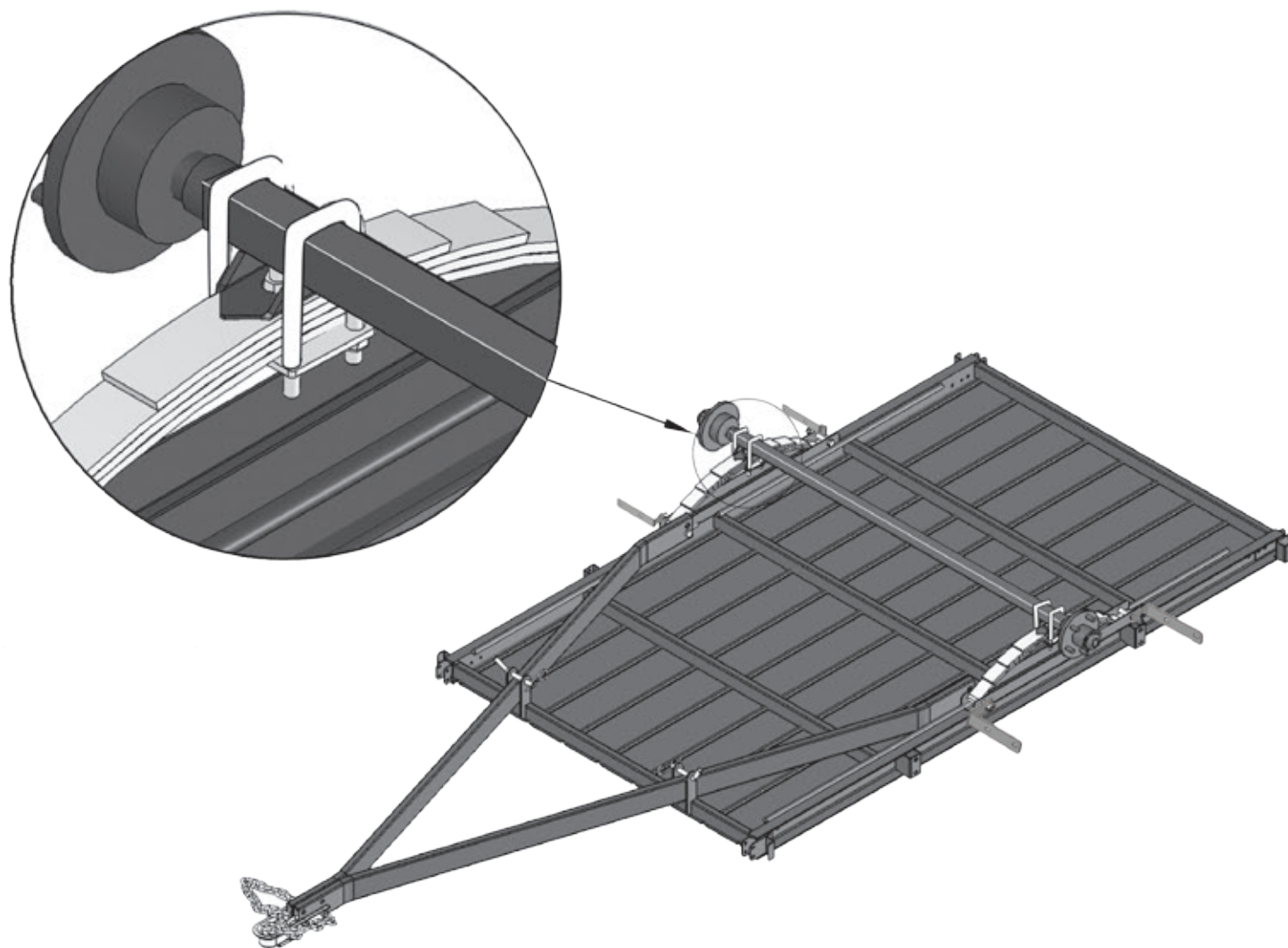
Poser l'essieu en travers sur les ressorts. Monter l'essieu sur les ressorts avec les boulons en U -M10, plaque d'assise du ressort, rondelles M10 et écrous Nylock M10.

---

**REMARQUE:** *Insérez la plaque soulevée sur le ressort dans la partie concave sur l'essieu.*

---

Assurez-vous que l'essieu est dans la bonne position.



## ÉTAPE 5

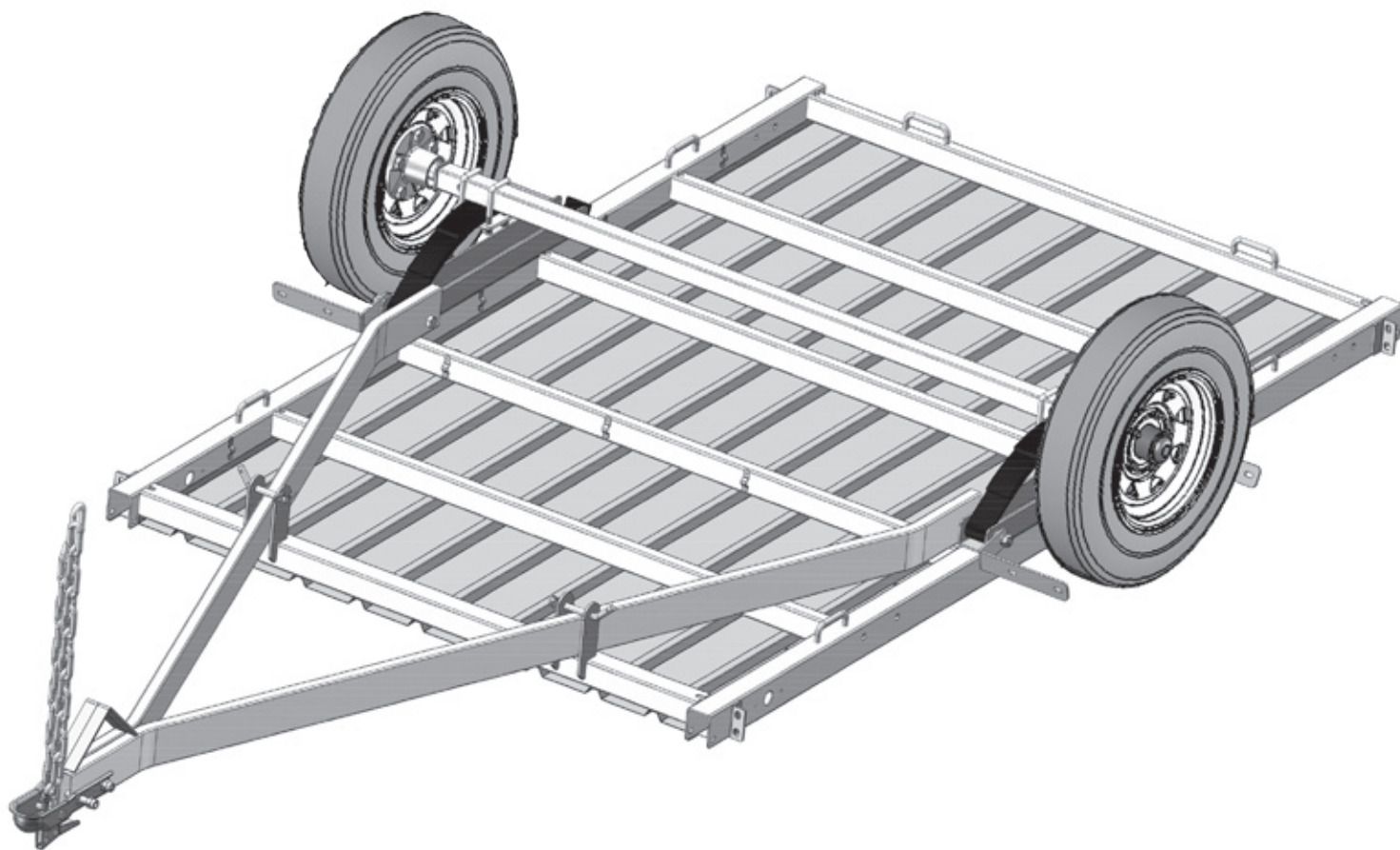
Installez les pneus. Vissez les dix écrous fournis pour les roues.

Les écrous de roue devront être serrés quand la remorque sera replacée sur ses roues.

---

**REMARQUE:** *extrémités effilées des écrous doivent faire face à l'intérieur vers la jante.*

---



## ÉTAPE 6

### Pré-câblage

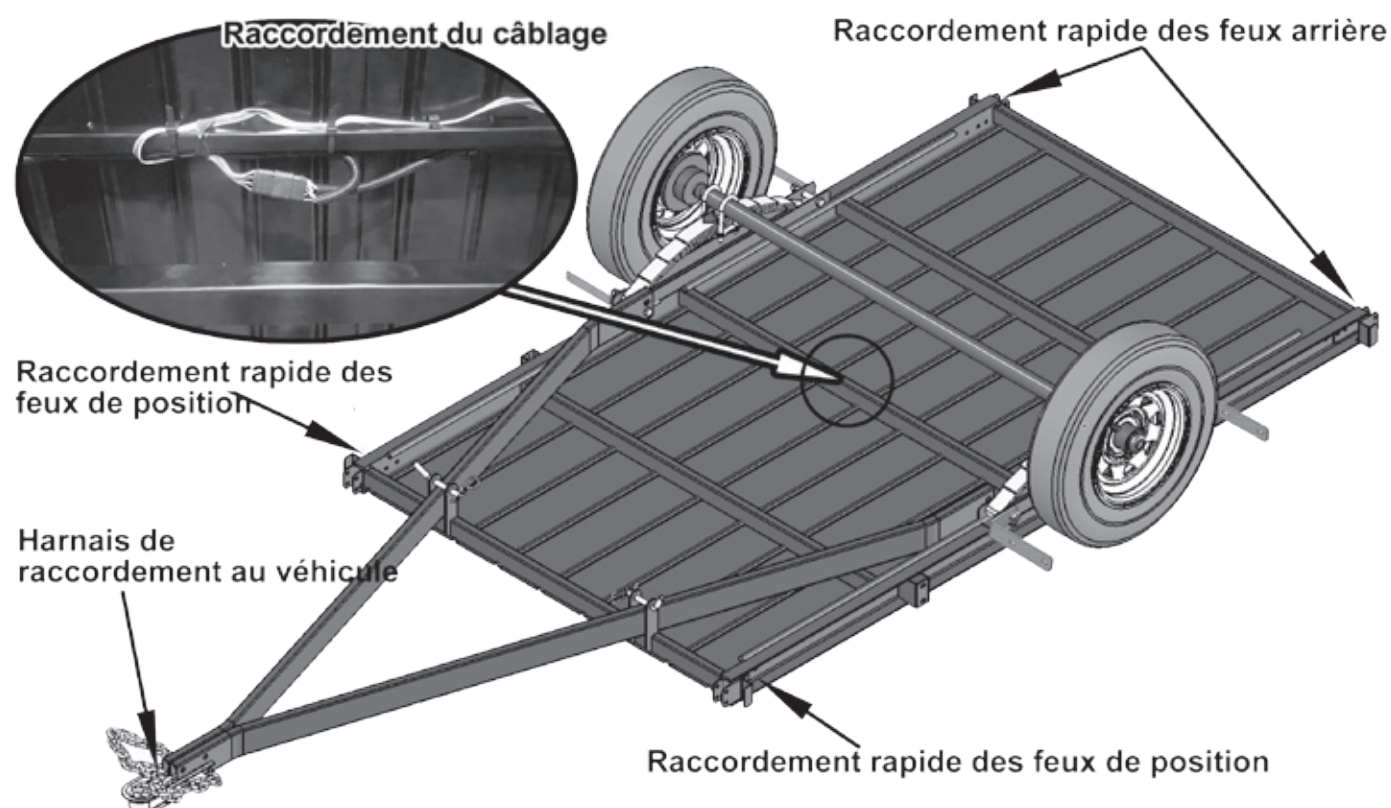
Les harnais de câblage sont pré-assemblés sous le châssis. Le câblage pré-assemblé est pré-monté sur la remorque et doit être reliée au harnais qui va à l'avant de la pole de la remorque.

---

**REMARQUE:** Assurez-vous que toutes les connexions sont accessibles pour le montage des lumières lorsque remorque sera retourné.

---

Monter les ensembles de lumière sur le côté de la partie arrière du châssis en utilisant les boulons à épaulement carré M6, rondelles M6 et écrous autobloquante de type nylock M6. Branchez le connecteur de la lumière dans le harnais. Installer les feux de position latérale sur le côté avant du châssis en utilisant les vis auto-taraudeuses. Branchez le connecteur de la lumière dans le harnais.



## ÉTAPE 7

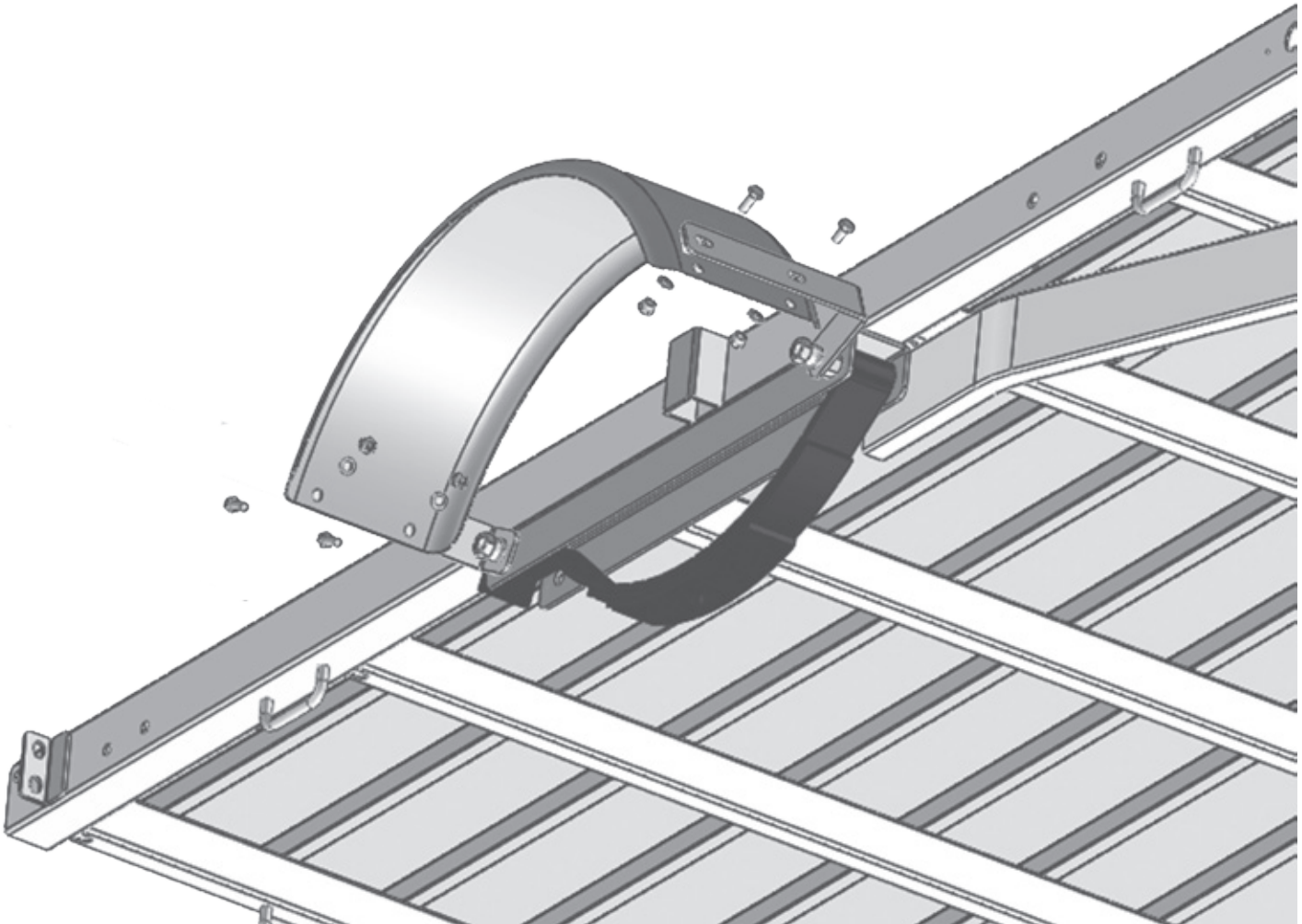
### Retournez la remorque et installer les ailes



**ATTENTION :** *Retourné la remorque vous demandera de l'aide. La remorque pèse maintenant approximativement 400 lb (181.4 kg)*

Les ailes doivent maintenant être assemblées. Fixer les ailes en utilisant les écrous et boulons inclus aux supports en L et au cadre qui retient le ressort en place. Une fois l'angle des supports en L établi, serrez les 4 boulons M14 à travers les ressorts jusqu'à ce que les ressorts soient sécurisés. Ne serrez pas trop, car cela pourrait faire affaisser le cadre.

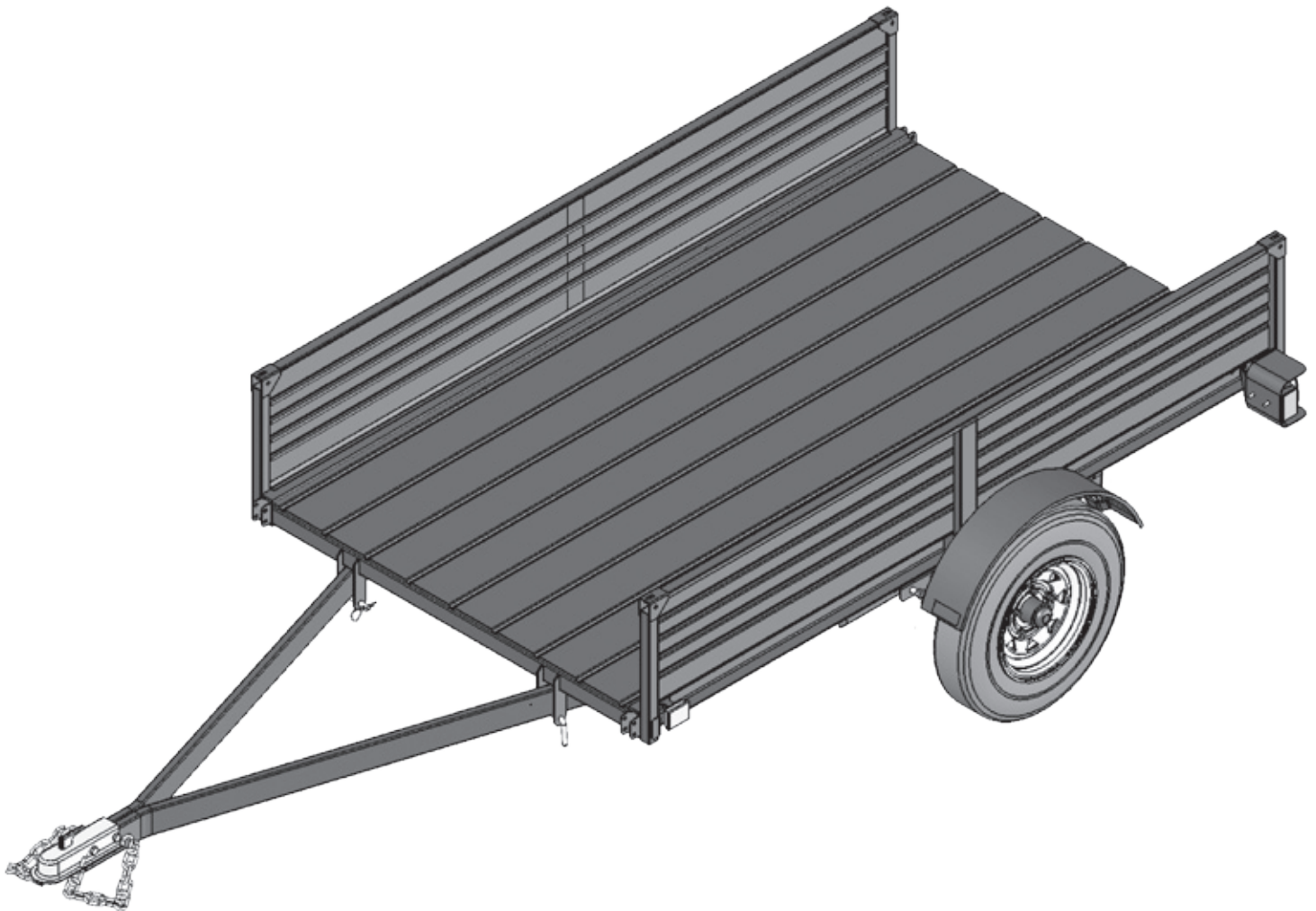
La figure présentée ci- dessous est sans l'essieu et les roues pour une meilleure compréhension.



## ÉTAPE 8

### **Installer les panneaux de côté de la remorque**

Insérez et serrez les huit (8) (4 de chaque côté), boulons de M8 x 20 mm et écrous de M8 fournis.

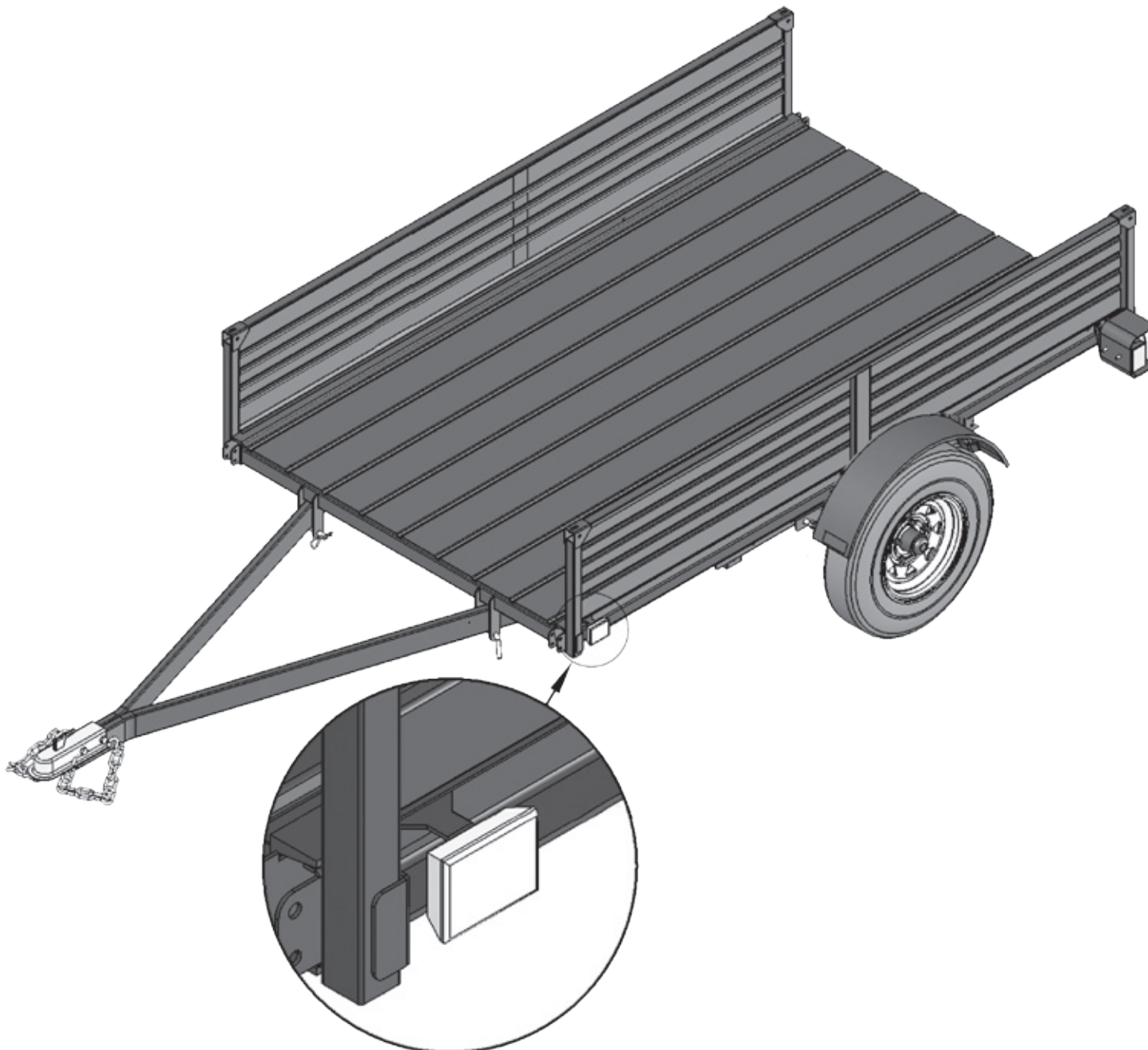


## ÉTAPE 9

### Installer les lumières

Installation des feux et en compléter le câblage.

Monter les feux latéraux sur le côté de la partie avant du châssis en utilisant les vis auto taraudeuses. Branchez le connecteur de la lumière au harnais de câblage électrique.

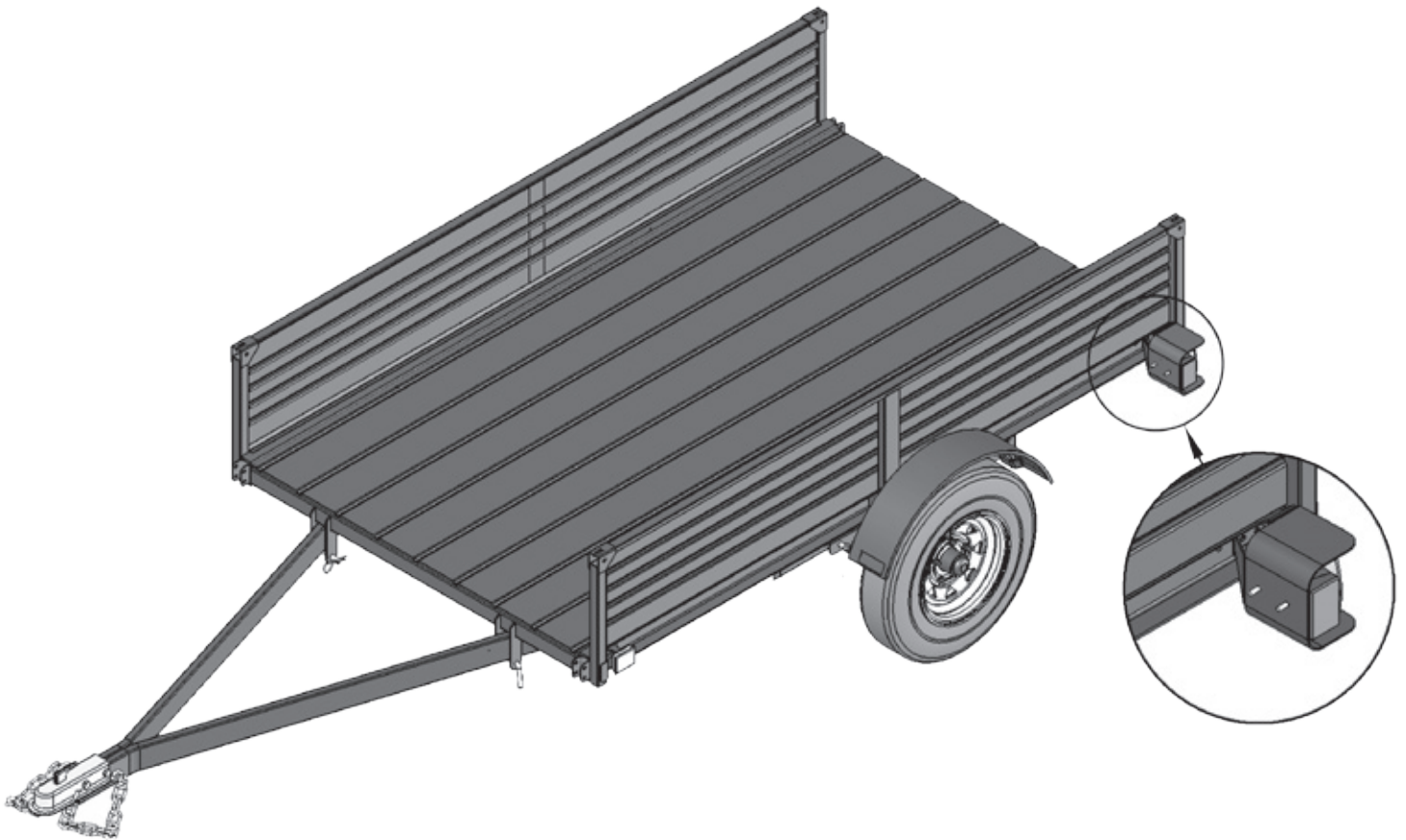


---

**REMARQUE :** *Utiliser de la graisse diélectrique sur chaque connecteur pour prévenir la corrosion.*

---

## ÉTAPE 9 (SUITE)



Fixer les supports de lumière arrière et installer l'ensemble de feu. Branchez la lumière au harnais de câblage.

Le côté gauche, coté conducteur est celui avec les lentilles claires au bas pour illuminé la plaque d'immatriculation le support de plaque d'immatriculation doit être installé du côté du conducteur et en même temps que le feu.

Branchez tout le câblage nécessaire et fixer le feu sur le côté de la remorque.

## STEP 10

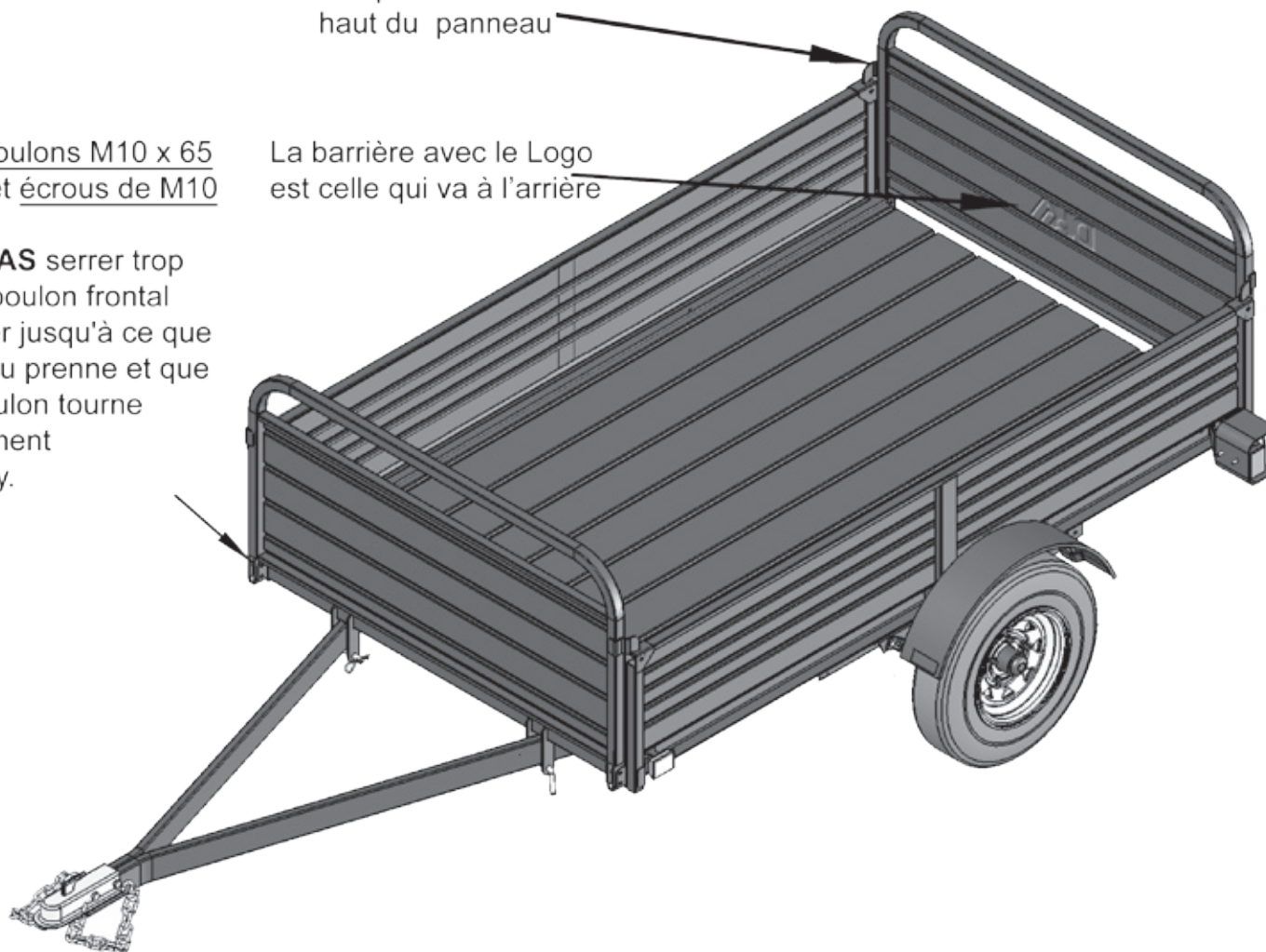
### Installation des panneaux (Barrières)

4 x boulons M10 x 65 mm et écrous de M10

**NE PAS** serrer trop fort, boulon frontal  
Serrer jusqu'à ce que l'écrou prenne et que le boulon tourne librement  
freely.

Goupille utilisée dans le haut du panneau

La barrière avec le Logo est celle qui va à l'arrière





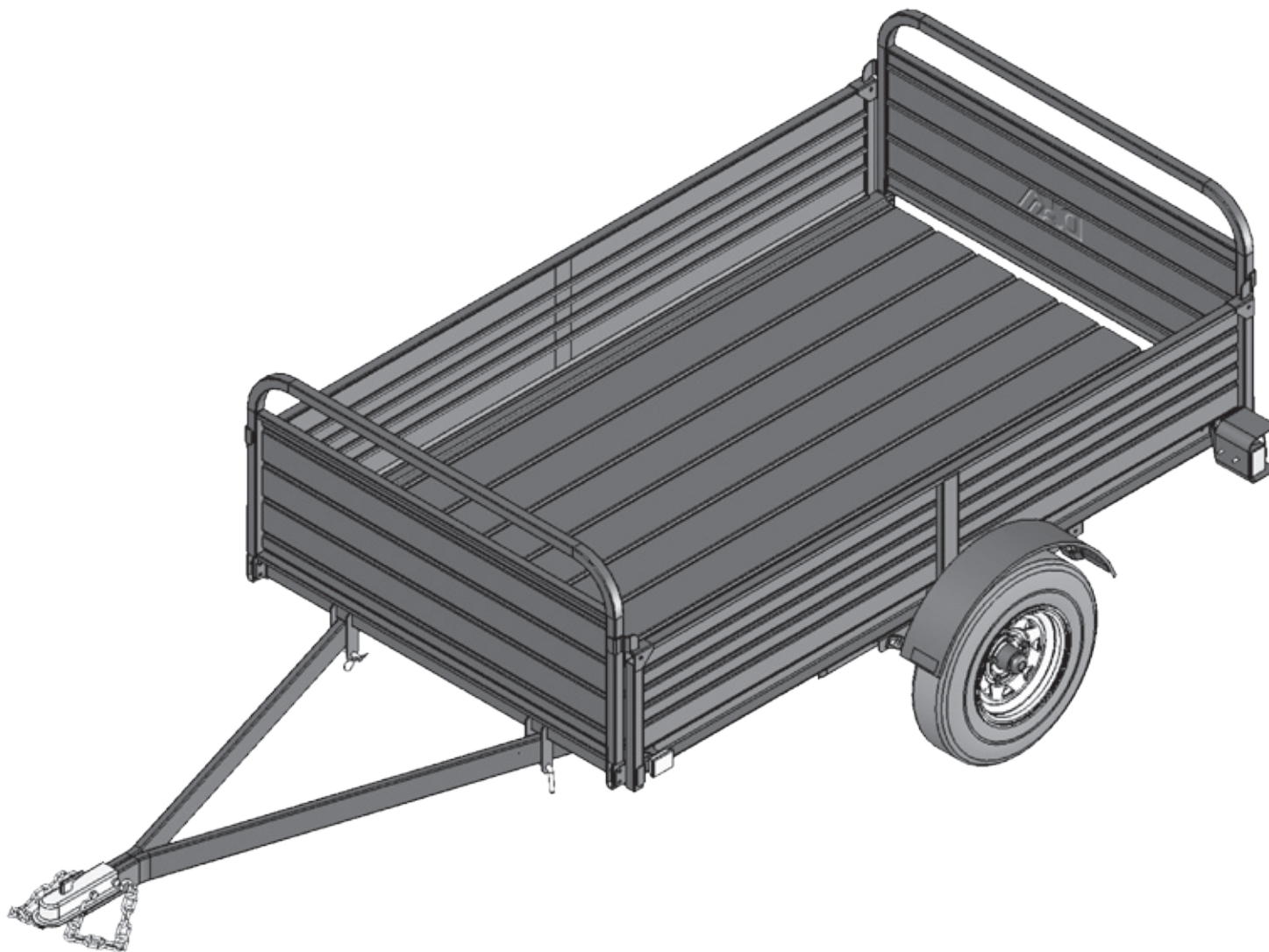
## DERNIÈRES ÉTAPES

Écrous de roue serrée à un couple de 80 lb

Connectez-vous à un véhicule pour confirmer tous les feux lumineux fonctionnent correctement

Inspectez la remorque une fois de plus pour vous assurer que toutes les étapes ont été effectuées correctement. Assurez-vous de revérifier tous les écrous avant de l'utiliser pour vous assurer qu'ils sont tous bien serrés.

FRANÇAIS



**ATTENTION :** *Il est de la responsabilité du propriétaire de la remorque de vérifier périodiquement si tous le matériel est sécurisé et fixé correctement.*



## MMT5X7 & MMT5X7-DUG (L7X) Manuel du propriétaire

**DETAIL K2 INC.**

5330 Mainway  
Burlington Ont. L7L 6A4  
1-888-277-6960

Lisez ce manuel attentivement avant de commencer l'utilisation de la remorque.

7.5 pi (229cm)  
remorque  
utilitaire



**MMT5X7**



**MMT5X7-DUG**  
(Drive up Gate)

Les pages suivantes contiennent les schémas d'assemblage et la liste complète des pièces

## LISTE DE CONTRÔLE DE SÉCURITÉ IMPORTANTE

Les remorques ne sont généralement pas utilisées tous les jours. Votre remorque peut ne pas servir durant des périodes de temps prolongées, pour chacune des utilisations il est très important de vérifier toutes les composantes avant l'utilisation. Ces instructions, simples vous permettront de maximiser la durée de vie de votre remorque et vous aiderons à transporter en toute sécurité vos cargaisons.

**NE MALTRAITEZ PAS LA REMORQUE. Les performances de la remorque seront meilleures si vous suivez les directives énoncées dans ce manuel. Ne pas abuser la remorque pour faire un travail. Apprenez à connaître votre remorque; Apprendre les applications et les limites.**

1. Assurez-vous que le véhicule de remorquage ainsi que l'attelage sont capable de tracter la remorque. Consultez le manuel du propriétaire du véhicule pour les évaluations de remorquage.
2. Inspectez la remorque et toutes ses pièces avant chaque utilisation.
3. Vérifiez le fonctionnement de tous les feux. Éclairages opérationnels sont obligatoires sur une remorque.
4. Assurez-vous que les boulons de roues sont serrés. Serrer à 80 lb-pi. Resserrer après les 50 premiers miles ou 80 kilomètres.
5. Vérifiez la pression des pneus. Maximum 80 PSI (552 KPA) lors de l'exécution de la charge nominale maximale.
6. graisser les roulements de roue tous les 2000 milles ou 3200 km ou au moins une fois chaque année.
7. Vérifiez que le coupleur de la remorque soit bien fixé sur la boule de remorquage. La boule de remorquage doit être de 2 pouces.
8. Vérifiez que les chaînes de sécurité soient fixées à la remorque et au véhicule.
9. Si votre remorque à les cotés escamotables optionnel, assurez-vous que tous les boulons et goupilles sont en place avant d'utiliser votre remorque.
10. Ne dépassez pas le poids nominal brut (G, VWR) qui est indiqué sur l'étiquette de certification remorque de série 1.
11. Équilibrer et sécuriser le chargement sur la remorque. Voir la section "chargement de remorque" dans le manuel.
12. lubrification du coupleur, les ressorts et le mécanisme d'inclinaison doit être effectué périodiquement pour prévenir la corrosion et garder le mouvement des pièces faciles.



### **DANGER**

- **ÉLOIGNEZ LES ENFANTS.** Soyez assuré que les enfants sont tenus à une distance sécuritaire de la zone de travail de la remorque.
- **JAMAIS S'ASSEOIR OU MONTER SUR LA REMORQUE.** Des blessures graves ou la mort peuvent survenir.
- **PRUDENCE EXTREME LORS DE LA BASCULE DE LA REMORQUE.** Il y a de nombreuses possibilités de blessures qui peuvent se produire si mal utilisé. La remorque peut basculer rapidement et de façon inattendue au cours du processus de chargement et de déchargement. L'option de bascule ne doit pas être utilisée pour les charges lourdes.
- Les rampes doivent être utilisées pour charger des objets lourds.
- **NE CONDUISEZ PAS** avec la remorque en position inclinée.
- **NE CHARGEZ PAS** plus d'un véhicule tout-terrain sur la remorque.
- Si la remorque est mal fixée au véhicule, elle pourrait se détacher du véhicule et tomber.
- Attelez la remorque au véhicule avant le transport. Assurez-vous que le coupleur est verrouillé et les chaînes de sécurité sont fixées à la remorque et au véhicule.
- Fixez votre cargaison dans la remorque correctement et dans le respect des lois locales.
- Lors de la conduite ne dépasse pas la limite de vitesse. Le temps de freinage peut être considérablement allongé lorsque le véhicule tracte une charge.
- Toute modification apportée à la remorque ou des parties de la remorque annulera la garantie de la remorque et libérera DETAIL K2 Inc. de **toute responsabilité pour les dommages, blessures ou des accidents encourus.**

**Remplacement des feux lumineux**

Lentille arrière rouge (large)	41237
Lentille arrière rouge (petite)	41238
Feu de position (orange)	41239

- **UTILISEZ UNIQUEMENT DES PIÈCES D'ÉQUIPEMENT ET ACCESSOIRES D'ORIGINE.** Consultez **Detail K2 Inc.** pour les accessoires recommandés. L'utilisation d'accessoires inadéquats peut entraîner des risques ou des blessures.

## LUMIÈRE & CÂBLAGE ET ENTRETIEN

**LÉGENDE DE CÂBLAGE**

Symboles		Descriptions		Opération
G	Fil vert	Coté passager (droit)	Clignotant (droit)	Frein
B	Fil brun	Feux de roulement	Feux de position	Feux position coté avant jaune
Y	Fil jaune	Coté conducteur (gauche)	Clignotant (gauche)	Frein
W	Fil blanc	Mise à terre	Mise à terre de la remorque	

- **NOTE** Les clignotants on priorités sur les lumières de frein quand utilisés.
- Fil inférieur (lumière brillante) = frein & Signal
- Fil supérieur (variateur de lumière) = Feux de roulement

**Pour vérifier le câblage du véhicule;**

Vous aurez besoin d'un vérificateur de voltage 12v. Fixez la pince du testeur au fil de mise à terre sur la prise du véhicule (voir la figure 3).

Ensuite, touchez la pointe du testeur dans l'un des contacts de la fiche du véhicule. Allumez les feux du véhicule et trouver le fil de fonctionnement correspondant aux lumières. Cela va illuminer le voyant du testeur si le câblage du véhicule est correct. Suivez la même procédure pour le signal et le frein.

**Pour vérifier le câblage de la remorque;**

Une fois que vous avez confirmé que la prise de remorque du véhicule fonctionne correctement, branchez la prise de remorque à votre véhicule.

Procédez en vérifiant chacune des lumières et fils d'alimentation à l'aide de votre vérificateur 12V .

Suivez la légende de câblage et diagramme de tester chacun des câblages correspondant, lorsque la lumière de la remorque ne fonctionne pas. Veillez à toujours vérifier votre frein, feux de roulement et feux de signalisation avant chaque utilisation. Assurez-vous que toutes vos connexions sont solide et en bon état.

**NOTEZ les fils à nu ou pincer, ils causeront des court circuits sur la remorque ce qui fera sauter les fusibles du véhicule. Une solide mise à terre est requise pour le bon fonctionnement des lumières. Tous les fils doivent faire contact de métal à métal. Les lentilles des feux doivent être propres et bien entretenues. Assurez vous que vos lumières sont toujours bien visibles et non obstruées par votre charge.**

## CHARGER VOTRE REMORQUE

**A/B.** Répartir le poids.

**C.** Centrer la charge sur l'essieu, en gardant à environ 10% du poids sur la pole. (Si les roues de véhicules ne sont pas sur un support transversal vous devrez ajouter du bois au sol pour soutenir chaque essieu).

**D.** Centre de la charge d'un côté à l'autre.

**E.** Toujours sécuriser correctement votre chargement dans la remorque et dans le respect des lois locales.

**ATTENTION**

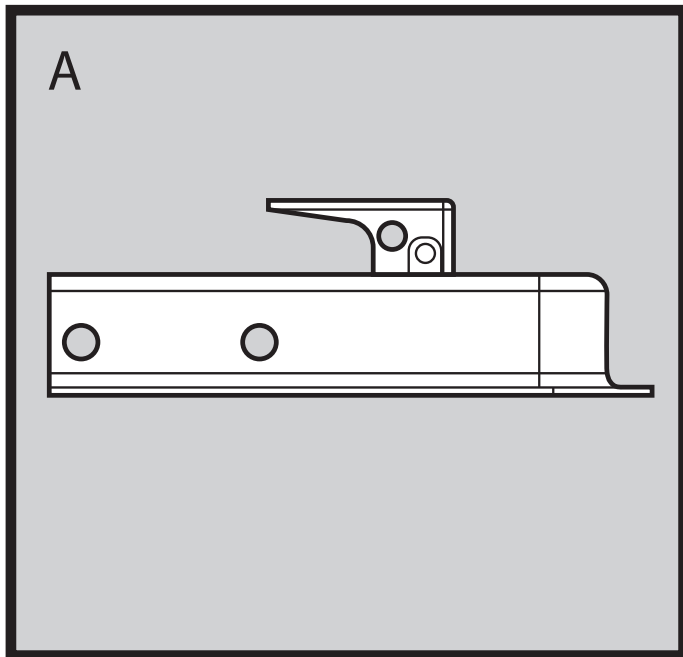
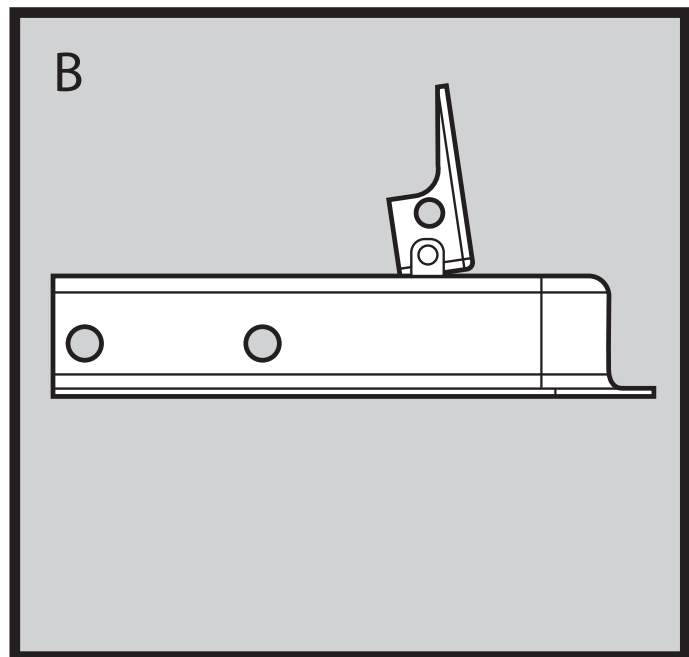
Ne pas charger votre remorque à une hauteur supérieure à 3 pi (90 cm). Chargement supérieur aura une incidence sur le comportement de la remorque en raison de la résistance accrue au vent. Ceci peut causer des mouvements violents de la remorque et pouvant causer des accidents et les blessures graves.

**CAPACITÉ de la REMORQUE:**

- Ne surchargez pas votre remorque. Chaque remorque a une charge utile maximale qui doit être respecté. Surcharger votre remorque pourrait causer de graves dommages à votre remorque ainsi qu'au véhicule de remorquage. S'il vous plaît vous référez à votre label de certification situé sur le châssis de la remorque pour les détails sur la capacité.
- Le poids nominal brut du véhicule (G.V.W.R.) est:  
Le poids de la remorque + la charge utile maximale que la remorque peut transporter. Le poids de la remorque et la charge utile ne doit pas dépasser ce (G.V.W.R.) poids nominal.
- Assurez-vous que toute charge transportée dans votre remorque ne dépasse pas le cadre de votre remorque. Ne jamais placer les charges sur un côté seulement.

**Poids sur la pole**

- Le poids sur la pole est de 10% de la charge (cela ne comprend pas le poids de la remorque).
- La charge est divisée de sorte que 80% de la charge sur l'essieu est de 10% et est au-dessus de la pole.

**ATTACHE DE REMORQUE****A = Barré****B = Non-barré****Pour régler l'attache à la boule;**

Réglez coupleur et la pole pour la boule de 2 po. sur votre véhicule.

Relevez le levier de verrouillage, pousser sur le verrouillage et tourner l'écrou pour serrer ou desserrer le coupleur.

Un réglage correct est obtenu lorsque le coupleur est aussi serrée que possible sur la boule et que le levier de verrouillage peut encore être ouvert et fermée.

Avant d'utiliser votre remorque assurez-vous de vérifier la capacité de votre attelage de remorque sur votre véhicule (ne jamais dépasser la capacité de votre attelage du véhicule). La remorque de Detail K2 est équipée d'un coupleur de 2 po. et doit être utilisé avec une boule de 2 pouces.

Assurez-vous que la boule est complètement engagée dans l'enclave du coupleur et que celui-ci est verrouillé.

# ROULEMENT À BILLES ET ENSEMBLE DE MOYEU

REMARQUE: Les roulements doivent avoir du service tous les 2000 miles ou 3200 km.

**AUCUNE PIÈCE N'EST PLUS CRITIQUE POUR LA PERFORMANCE FIABLE DE VOTRE REMORQUE QUE LES ROULEMENTS À BILLES, LE JEU ET LES JOINTS. POUR S'ASSURER QUE VOTRE REMORQUE FONCTIONNE DE FAÇON FIABLE, VOUS DEVEZ INSPECTER LES ROULEMENTS, LE JEU ET LES JOINTS ET REMBALLER SOIT RE-GRAISSER LES ROULEMENTS TOUTS LES 12 MOIS OU 2000 MILES (3200 km) CECI EST FACILEMENT TROUVÉ SUR INTERNET EN RECHERCHANT "TRAILER WHEEL BEARINGS MAINTENANCE " OU "ENTRETIEN DES ROULEMENTS À BILLES D'UNE REMORQUE**

Item #	Description	Qté.
1	Ensemble de roulements d'essieu 1 po	1
1A	Couvercle de roulement (s'adapte serré)	2
1B	Cône de roulement 1 po	2
1C	Joint graisse	1
1D	Capuchon protecteur d'essieu de 2 po	1

Item #	Description	Qté.
1E	Écrou d'essieu de 1 po	1
1F	Goupille fendu (cotter pin) 3/16 po	1
2	Moyeu (à nu) avec graisse course	1
3	Essieu, moyeu et roulement	1

Numéro de pièce \_\_\_\_\_ Ensemble d'essieu comprend toutes les parties 1A à 1 E.

**Remarque: la partie 1A ensemble de roulement est adaptée avec force (press fit) dans le moyeu et peut ne pas avoir besoin d'être remplacé lors du changement des roulements.**

## Faire le service pour les roulements à billes

1. Desserrer les boulons de roue (Ne retirez pas!).
2. Soutenir la remorque de sorte que la roue n'est pas sur le sol.
3. Retirer les écrous et la roues.
4. Démontez le moyeu
5. Nettoyez moyeu et emplir le roulement avec de la graisse pour roulement.
6. Réinstaller roulements, écrou et la goupille.

**Attention: Ne pas trop serrer l'écrou. Le moyeu doit tourner librement mais sans jeu.**

7. Remplacez les boulons et la roue. (Force de couple de 80 livres-pied.)

## ENREGISTREMENT DE LA REMORQUE

La remorque Detail K2 DOIT ÊTRE CERTIFIÉE après l'assemblage par un garage qui détient une licence pour fournir des certificats de sécurité pour les véhicules routiers.

Pour enregistrer votre remorque avec le Département des véhicules moteur ou Ministère des transports et d'obtenir une plaque d'immatriculation. Vous aurez besoin d'avoir soit le formulaire NVLS au Canada ou le Certificat d'origine du manufacturier aux États-Unis dûment rempli et signé par le concessionnaire vous transférant la propriété de la remorque. Ce formulaire se trouve dans votre trousse de manuel de la remorque. Prenez ce formulaire avec la facture d'achat (reçu de caisse) et le certificat de sécurité à votre bureau local du ministère des véhicules automobiles ou ministère des Transports bureau d'immatriculation. Une fois que vous payez les frais appropriés, vous recevrez un titre ou d'enregistrement et la plaque à fixer à la remorque.

### Les résidents des États-Unis

#### Pour communiquer avec le National Highway Traffic Safety Administration

Si vous croyez que votre véhicule a un défaut, ce qui pourrait causer un accident, des blessures ou la mort, informer immédiatement le National Highway Traffic Safety Administration (NHTSA) et aviser Detail K2 .

Si la NHTSA reçoit des plaintes similaires, ou trouve des défauts de sécurité existant dans un groupe elle peut ouvrir une enquête ou ordonner une campagne de rappel et de recours. Toutefois, la NHTSA ne peut pas intervenir dans les problèmes individuels entre vous, votre revendeur, ou Detail K2.

Pour contacter NHTSA, vous pouvez soit appeler le Auto Safety Hotline sans frais au 1-800-424-9393 (ou le 366-0123 à Washington DC. région) ou écrire à: NHTSA, US Department of Transportation, Washington, DC 20590.

# LISTE DE PIÈCES

**FRANÇAIS**

Part No.	Description	Qty.
MMT5X7 <b>1</b> L7X	Tubulure gauche	1
MMT5X7 <b>2</b> L7X	Tubulure droite	1
MMT5X7 <b>3</b> L7X	Chassis	1
MMT5X7 <b>4</b> L7X	Barrière avant	1
MMT5X7 <b>5</b> L7X	Barrière arrière	1
MMT5X7 <b>6</b> L7X	Panneau coté	2
MMT5X7 <b>7</b> L7X	Écrou de roue	10
MMT5X7 <b>8</b> L7X	Essieu	1
MMT5X7 <b>9</b> L7X	Roue	2
MMT5X7 <b>10</b> L7X	Ressort à trois lames	2
MMT5X7 <b>11</b> L7X	Ensemble d'aile	2
MMT5X7 <b>12</b> L7X	Support d'aile en L	4
MMT5X7 <b>13</b> L7X	Boîtier d'éclairage gauche	1
MMT5X7 <b>14</b> L7X	Boîtier d'éclairage droite	1
MMT5X7 <b>15</b> L7X	Feu arrière	2
MMT5X7 <b>16</b> L7X	Support de plaque d'immatriculation	1
MMT5X7 <b>17</b> L7X	Coupleur	1
MMT5X7 <b>18</b> L7X	Chaine	1
MMT5X7 <b>19</b> L7X	Feu de position latéraux	2
MMT5X7 <b>20</b> L7X	Boulon pour feu de position latéraux	4
MMT5X7 <b>21</b> L7X	Écrou pour feu de position latéraux	4
MMT5X7 <b>22</b> L7X	Boulon hex M8 x 20	8
MMT5X7 <b>23</b> L7X	Boulon hex M10 x 50	8
MMT5X7 <b>24</b> L7X	Boulon hex M10 x 70	8
MMT5X7 <b>25</b> L7X	Boulon hex M12 x 80	2
MMT5X7 <b>26</b> L7X	Boulon hex M14 x 85	2
MMT5X7 <b>27</b> L7X	Boulon hex M14 x 120	2
MMT5X7 <b>28</b> L7X	Écrou autobloquante M8	8
MMT5X7 <b>29</b> L7X	Écrou autobloquante M10	24
MMT5X7 <b>30</b> L7X	Écrou autobloquante M12	2
MMT5X7 <b>31</b> L7X	Écrou autobloquante M14	4
MMT5X7 <b>32</b> L7X	Écrou hex M14	2
MMT5X7 <b>33</b> L7X	Rondelle plat ø8	8
MMT5X7 <b>34</b> L7X	Rondelle plat ø10	24
MMT5X7 <b>35</b> L7X	Rondelle plat ø12	2
MMT5X7 <b>36</b> L7X	Rondelle plat ø14	4
MMT5X7 <b>37</b> L7X	Plaque d'assise	2
MMT5X7 <b>38</b> L7X	Boulon en U M10	4
MMT5X7 <b>39</b> L7X	Goupille	4
MMT5X7 <b>40</b> L7X	Goupille en L	2
MMT5X7 <b>41</b> L7X	Goupille bêta	2

# SCHÉMA

FRANÇAIS

