

Cummins **Onan**



RV GENERATORS

Accessories



Introduction

Cummins Onan RV Generators..... 2

Cummins Onan RV QG 2500/2800 Accessories

Installation Templates..... 4
Mounting Kits 4
Tailpipe & Exhaust Kits..... 5

Cummins Onan RV QG 3600/4000 Accessories

Installation Templates..... 7
Mounting Kits 7
Tailpipe & Exhaust Kits..... 9

Cummins Onan RV QG 5500/7000 Accessories

Installation Templates..... 12
Mounting Kits 12
Tailpipe & Exhaust Kits..... 19
Fuel System Kits. 21

Cummins Onan RV QD 3200/6000/8000/10000/12500 Accessories

Installation Templates..... 22
Mounting Kits 22
Tailpipe & Exhaust Kits..... 24
Fuel System Kits 26

Electrical System Accessories

Control Panels, Gauges and Displays 27
Remote Panel Harnesses..... 31
Auto Generator Start..... 34
AC Conduits & Junction Box Kits 36
AC Transfer Switches 37
Battery Cables..... 38

LP Fuel System Accessories

LP Fuel Lines..... 39
LP Brass Fittings 40
Pressure Regulators 41

Exhaust System Accessories

Tailpipes & Exhaust Tubes 43
Custom Tailpipes..... 45
Hangers 46
Clamps 46

Part Number Index 47

Introduction

Cummins Onan RV Generators

This catalog lists all accessories for Cummins Onan QG™ and QD™ RV generator models. These can be ordered directly with your local Cummins Distributor. For proper application and installation of these accessories, refer to the appropriate RV generator installation manual.

Ordering Installation Templates

Your Cummins Onan Distributor can order the paper installation templates for the generators from the official printed material supplier. Please contact your Distributor to obtain these, using the part numbers referenced in this catalog.

Obtaining Instruction Sheets

Some accessories call out an instruction sheet. These can be downloaded by logging in to the Cummins QuickServe Online tool, clicking on “Literature Search” on the left hand bar and searching for the instruction sheet by the number called out in this catalog.

Model	Watts	Fuel	Volts/Freq	Circuit Breaker
Cummins Onan RV QG 2500/2800 - US & Canada				
2.5HGJBB-1121	2500	LP (Vapor)	120V - 60 Hz	(1) 21 Amp
2.8HGJBB-1120	2800	Gasoline	120V - 60 Hz	(1) 25 Amp
Cummins Onan RV QG 2300/2800 - International				
2.3HGJBB-1122	2300	Gasoline	230V - 50 Hz	(1) 10 Amp
2.3HGJBB-1123	2300	LP (Vapor)	230V - 50 Hz	(1) 10 Amp
2.8HGJBB-1124	2800	Gasoline	100V - 60 Hz	(1) 30 Amp
Cummins Onan RV QG 3600/4000 - US & Canada				
3.6KYFA-26120	3600	LP	120V - 60 Hz	(1) 30 Amp, 1-pole
4KYFA-26100	4000	Gasoline	120V - 60 Hz	(1) 30 Amp, 1-pole
4KYFA-6747*	4000	Gasoline	120V - 60 Hz	(1) 30 Amp, 1-pole
*Evaporative emissions model required for applications using a fuel tank separate from the propulsion engine.				
Cummins Onan RV QG 3300/3600/4000 - International				
3.3KYFR-4858	3300	LP	230V - 50 Hz	(1) 17 Amp, 1-pole
3.6KYFR-28001	3600	Gasoline	230V - 50 Hz	(1) 17 Amp, 1-pole
3.6KYFR-4856	3600	Gasoline	230V - 50 Hz	(1) 17 Amp, 1-pole
4KYFR-11429	4000	Gasoline	100V - 60 Hz	(1) 20 Amp, 2-pole
4KYFR-65697	4000	Gasoline	100V - 60 Hz	(1) 20 Amp, 2-pole

Model	Watts	Fuel	Volts/Freq	Circuit Breaker
Cummins Onan RV QG 5500/6500/7000 - US & Canada				
5.5HGJAB-901	5500	Gasoline	120V - 60 Hz	(1) 30 Amp, (1) 20 Amp HACR
5.5HGJAB-1038	5500	Gasoline	120V - 60 Hz	(2) 30 Amp
5.5HGJAB-1119	5500	LP (Vapor)	120V - 60 Hz	(1) 30 Amp, (1) 20 Amp HACR
5.5HGJAB-1270	5500	LP (Vapor)	120V - 60 Hz	(2) 30 Amp
5.5HGJAB-6755*	5500	Gasoline	120V - 60 Hz	(2) 30 Amp, (2) 30 Amp HACR
5.5HGJAB-7103*	5500	Gasoline	120V - 60 Hz	(1) 30 Amp, (1) 20 Amp HACR
6.5HGJAB-904	6500	LP (Vapor)	120V - 60 Hz	(2) 30 Amp
6.5HGJAB-1272	6500	LP (Vapor)	120V - 60 Hz	(1) 30 Amp, (1) 20 Amp HACR
7HGJAB-900	7000	Gasoline	120V - 60 Hz	(2) 30 Amp
7HGJAB-1036	7000	Gasoline	120V - 60 Hz	(1) 30 Amp, (1) 20 Amp HACR
7HGJAB-6756*	7000	Gasoline	120V - 60 Hz	(2) 30 Amp
*Evaporative emissions models required for applications using a fuel tank separate from the propulsion engine.				
Cummins Onan RV QG 5500/7000 EFI - US & Canada				
5.5HGJAA-1273	5500	Gasoline	120V - 60 Hz	(2) 30 Amp
5.5HGJAA-600	5500	Gasoline	120V - 60 Hz	(1) 30 Amp, (1) 20 Amp HACR
7HGJAA-97	7000	Gasoline	120V - 60 Hz	(2) 30 Amp
Cummins Onan RV QD 3200 - US & Canada				
3.2HDZAA-6508	3200	Diesel	120V - 60 Hz	(1) 30 Amp, 1-pole
Cummins Onan RV QD 6000/8000 - US & Canada				
6.0HDKAH-1044	6000	Diesel	120V - 60 Hz	(1) 30 Amp, 2-pole
8.0HDKAK-1046	8000	Diesel	120V - 60 Hz	(1) 35 Amp, 2-pole
Cummins Onan RV QD 10000/12500 - US & Canada				
10.0HDKCA-11506	10000	Diesel	120/240V - 60 Hz	(1) 45 Amp, 2-pole
12.5HDKCB-11506	12500	Diesel	120/240V - 60 Hz	(1) 50 Amp, 2-pole

RV QG 2500/2800

Installation Templates

A043N434

Compartment Mount Template

Description

A paper guide for making mounting holes required to properly install generator.

Compatibility

HGJBB

A043N581

Underfloor Mount Template

Description

A paper guide for making mounting holes required to properly install generator.

Compatibility

HGJBB

A043F935

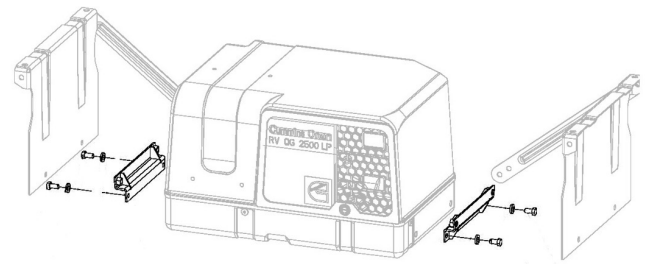
Retro Adaptor from KV

Description

Allows HGJBB to be installed with KV underfloor mounting kit (0403-2689, 026-00123).

Compatibility

HGJBB



A043F935

Mounting Kits

A042W103

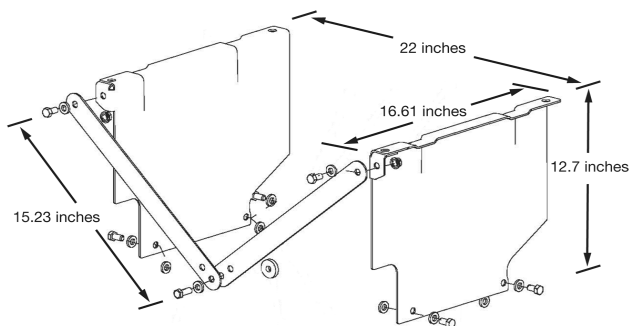
Underfloor Kit

Description

Complete kit for underfloor installations.

Compatibility

HGJBB



A042W103

Tailpipe & Exhaust Kits

Plan each individual exhaust system carefully. A proper installation is not only vapor-tight, but is quieter and safer. Be sure to **check** all applicable recreational vehicle standards, and **state and federal codes** regarding exhaust installations for recreational vehicles. Be sure the installation meets all applicable codes and requirements. **Refer to the proper Cummins Onan instruction sheet and installation manual for recommendations and important safety precautions** to follow when installing an exhaust system.

RV QG 2500 LP and RV QG 2800 generators have a built-in USDA Forest Service approved spark arrester muffler. **It is necessary to equip the generator set with a tailpipe at installation.**

0155-2325 **Aluminized Steel Tailpipe Kit**

Description

For applications from 18 inches to 25 inches (457 to 635 mm).

Benefits

The exhaust tube is constructed of 16 gauge steel. The hanger clamps have a vibration isolated design to reduce rigid exhaust pipe stresses.

Compatibility

HGJBB

Installation

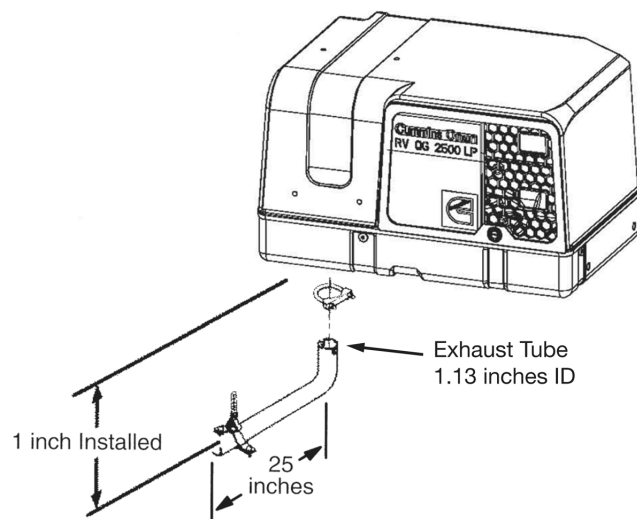
Additional hanger clamps (ref. 0155-2174) may be necessary.

Kit Includes

Exhaust tube, hanger clamp, clamp and instructions.

Instruction Sheet

G63



0155-2325

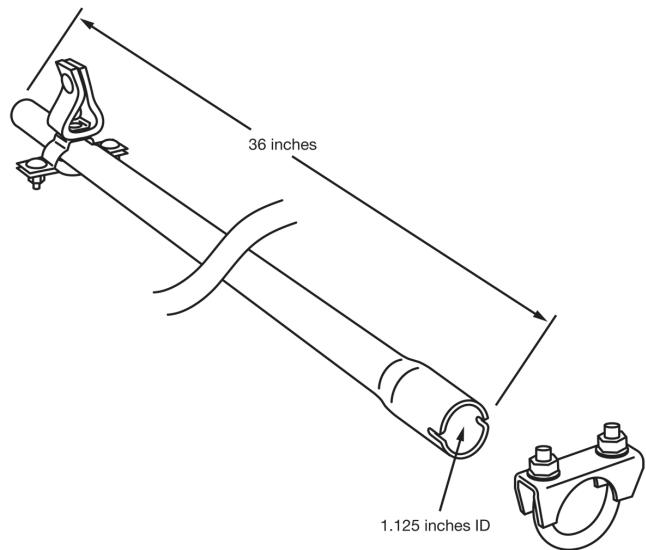
031-00300/A046F728 **Straight Tailpipe Kit**

Description

Tailpipe kit designed to connect to exhaust elbow (PN A041H694). Kit includes tailpipe, hanger clamp, and clamp.

Compatibility

HGJBB



031-00300/
A046F728

RV QG 2500/2800 Accessories

030-00096 / A041L816

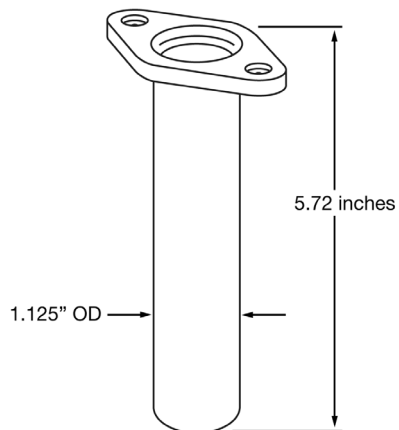
Exhaust Downtube with Flange

Description

Connects the generator muffler to the exhaust pipe.

Compatibility

HGJBB



0155-2449

Exhaust Resonator

Description

Constructed of aluminized steel, and mates with standard 1-1/2 inch O.D. exhaust pipe.

Benefits

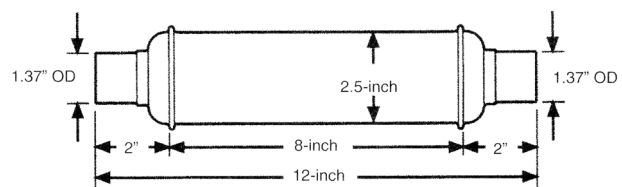
Softens exhaust noise and can reduce sound levels in some installations up to one dB(A).

Compatibility

HGJBB

Installation

Requires a 1-1/2 inch (38 mm) O.D. pipe clamp (ref. 0155-1015).



030-00095 / A041H694

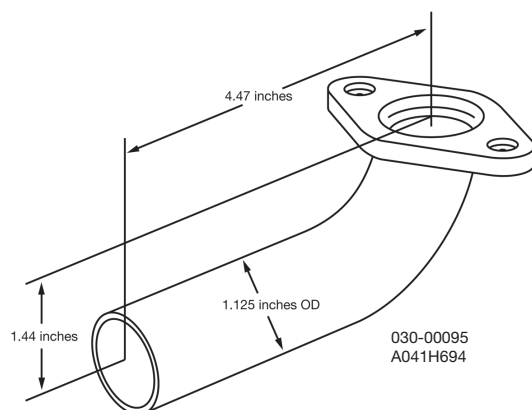
Exhaust Elbow with Flange

Description

Connects the generator muffler to the exhaust pipe.

Compatibility

HGJBB



RV QG 3600/4000

Installation Templates

0539-1535-01

Underfloor Mount Template

0539-1546-01

Compartment Mount Template

Description

A paper guide for marking mounting holes required to properly install generator.

Compatibility

KY

Mounting Kits

A030X652

Underfloor Mounting Kit

Description

Complete kit for underfloor installations.

Compatibility

KY

Installation

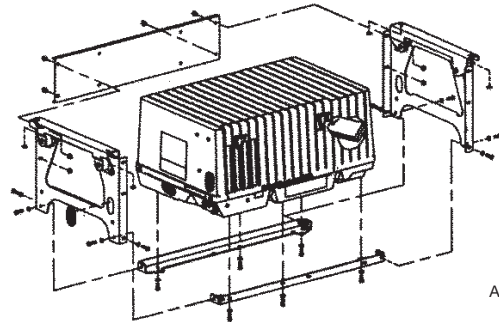
Order installation template (ref. 0539-1535-01) separately if required.

Kit Includes

Brackets and hardware. Exhaust tailpipe not included.

Instruction Sheet

G187



A030X652

026-00095/0403-3630

Generator Mounting Tray

Description

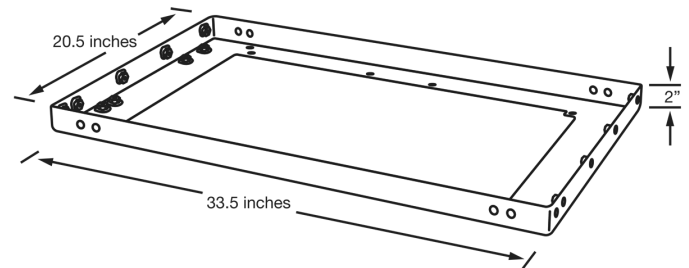
Five hole mounting tray.

Compatibility

KY
HGJAA
HGJAB

Instruction Sheet

G208



026-00095/
0403-3630

RV QG 3600/4000 Accessories

026-00342

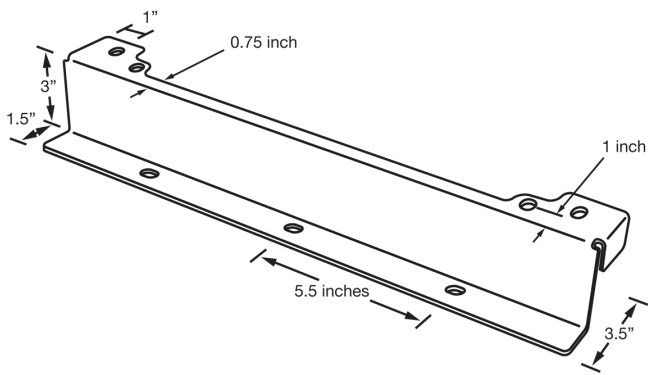
3" Black Riser

Description

3" Black Riser, used for providing more clearance beneath the generator.

Compatibility

KY



026-00342

026-00208

Slide Tray Kit

Description

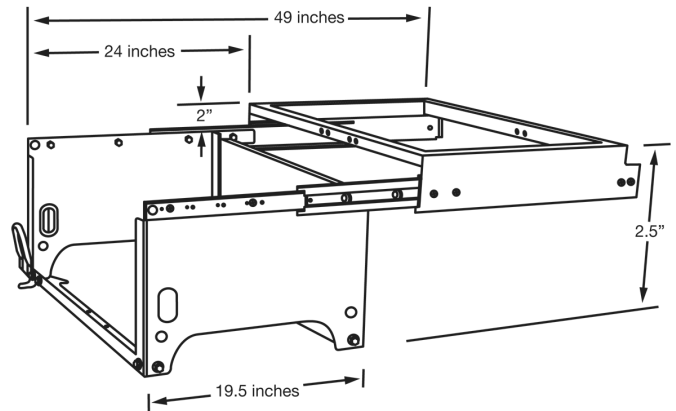
Under floor slide-out tray, top mount. Allows the generator to slide out 24 inch for easy access.

Compatibility

KY

Kit Includes

Tray, rails and 25 inch slides.



026-00208

Tailpipe & Exhaust Kits

Plan each individual exhaust system carefully. A proper installation is not only vapor-tight, but is quieter and safer. Be sure to **check** all applicable recreational vehicle standards, and **state and federal codes** regarding exhaust installations. Be sure the installation meets all applicable codes and requirements. **Refer to the proper Cummins Onan instruction sheet and installation manual for recommendations and important safety precautions** to follow when installing an exhaust system.

0155-2845

Tailpipe Kit/22 Inch

Description

Connects to the bottom of the generator mounting tray to direct exhaust to the side of the RV.

Benefits

Use on underfloor installations and those where the RV sidewalls don't extend below the generator.

Compatibility

KY

Installation

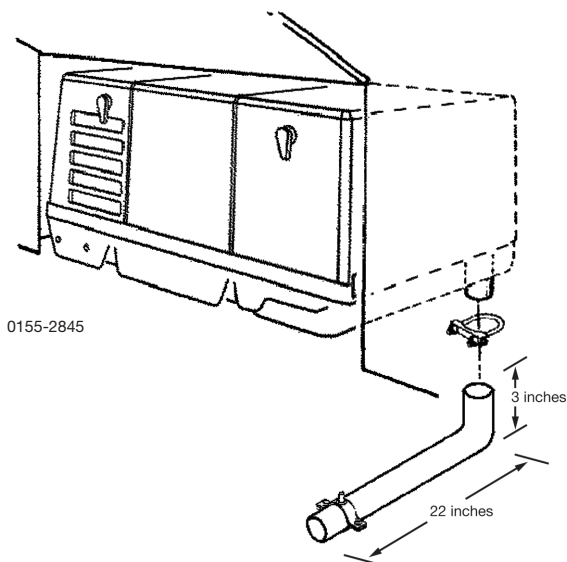
Tailpipe hangs approximately one inch below the generator tray. Use exhaust tube (ref. 0155-2850) as a downtube extension for applications with a low RV sidewall.

Kit Includes

Tailpipe, clamp and hanger.

Instruction Sheet

G206



031-00064

Tailpipe Kit – 18-1/2 Inch

Description

Connects to the bottom of the generator mounting tray to direct exhaust to the side of the RV.

Benefits

Use on underfloor installations and those where the RV sidewalls don't extend below the generator.

Compatibility

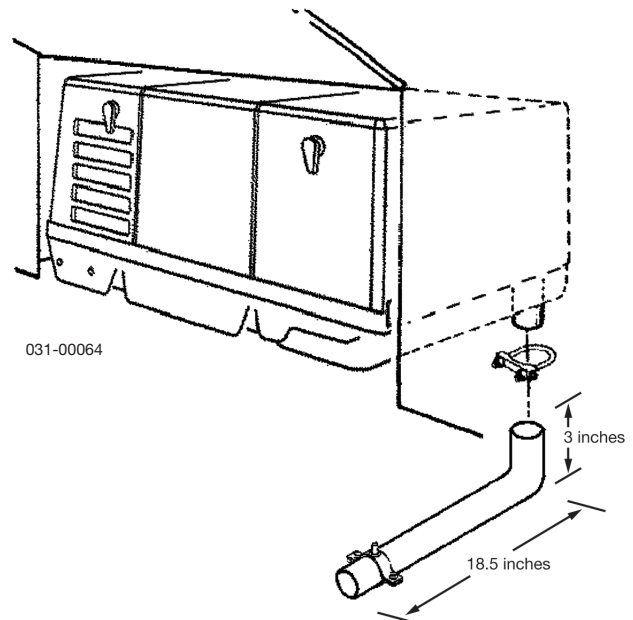
KY

Installation

Tailpipe hangs approximately one inch below the generator tray. Use exhaust tube (ref. 0155-2850) as a downtube extension for applications with a low RV body.

Kit Includes

Tailpipe, two clamps, hanger and hardware.



RV QG 3600/4000 Accessories

031-00080

Tailpipe Kit – 25-1/2 Inch

Description

Connects to the bottom of the generator mounting tray to direct exhaust to the side of the RV.

Benefits

Use on underfloor installations and those where the RV sidewalls don't extend below the generator.

Compatibility

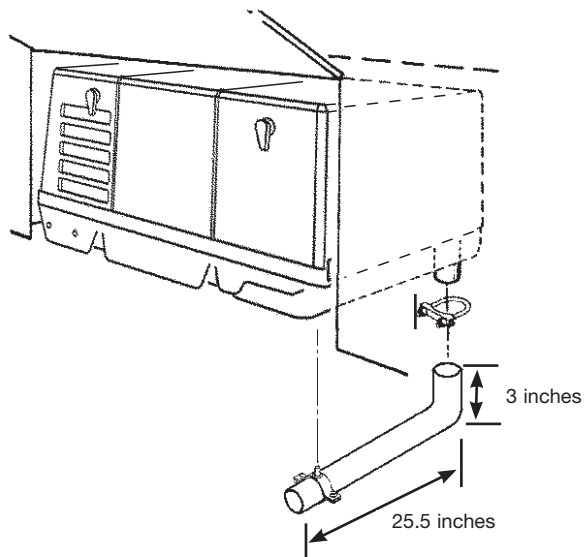
KY

Installation

Tailpipe hangs approximately one inch below the generator tray. Use exhaust tube (ref. 155-2850) as a downtube extension for applications with a low RV body.

Kit Includes

Tailpipe, clamp, clamp style hanger and hardware.



031-00080

0155-2847

Elbow Adapter Kit

Description

Creates a 90° turn from the muffler outlet for a horizontal 1-1/2 inch O.D. tailpipe.

Compatibility

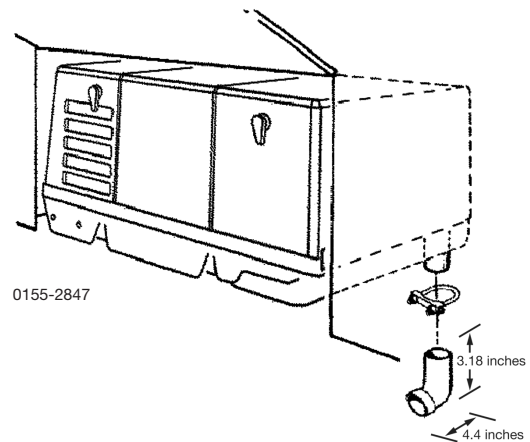
KY

Installation

Additional tailpipe, clamp and hanger will be necessary.

Kit Includes

Exhaust elbow and clamp.



0155-2847

**0155-2850
Exhaust Tube**

Description

12 inches long, 1-1/8 O.D. tube for use as a downtube extension.

Benefits

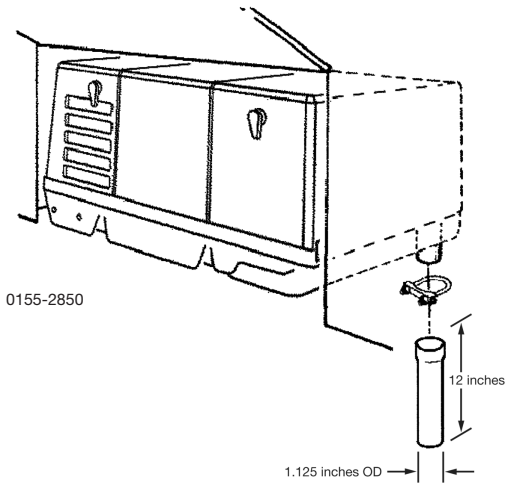
Can be cut to desired length and combined with other tailpipes.

Compatibility

KY

Installation

Use with tailpipe kits for above floor or low RV sidewall installations.



**0155-2449
Exhaust Resonator**

Description

Constructed of aluminized steel, and mates with standard 1-1/2 inch O.D. exhaust pipe.

Benefits

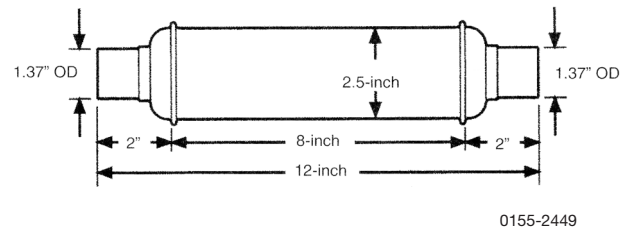
Softens exhaust noise and can reduce sound levels in some installations up to one dB(A).

Compatibility

KY

Installation

Requires a 1-1/2 inch (38mm) O.D. pipe clamp (ref. 0155-1015).



RV QG 5500/7000

Installation Templates

0539-2057

Compartment Mount Template Paper

Description

A paper guide for marking mounting holes required to properly install generator.

Compatibility

HGJAA
HGJAB

026-00156

Compartment Mount Template – Metal

Description

A guide for marking mounting holes required to properly install generator.

Compatibility

HGJAA
HGJAB

Mounting Kits

0405-6699

Underfloor Mounting Kit

Description

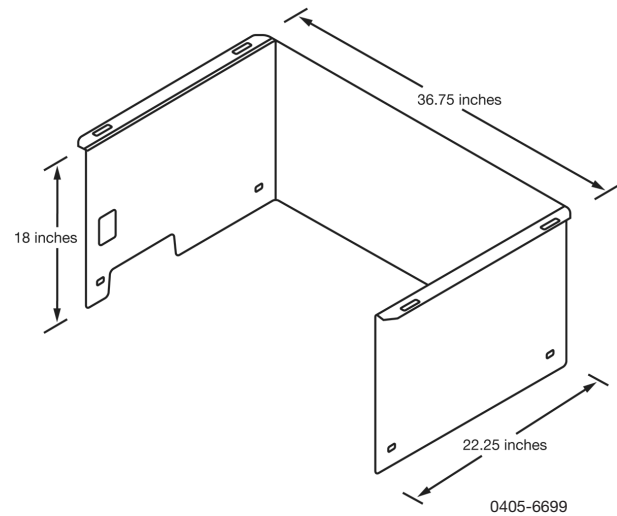
For underfloor applications only.

Compatibility

HGJAA
HGJAB

Kit Includes

Generator compartment and hardware. Exhaust tailpipe not included.



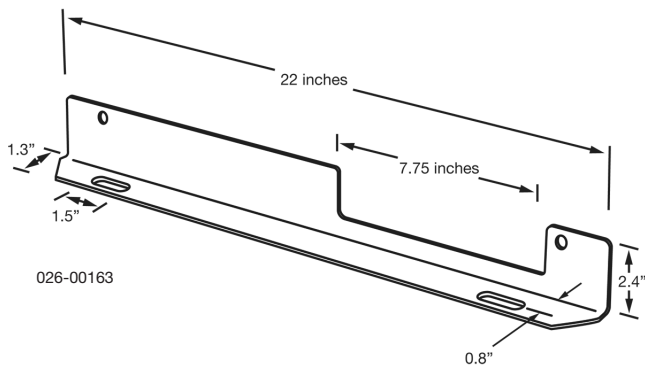
026-00163
Side Stringer

Description

Side Stringer for mounting to a set of slides to a generator installation.

Compatibility

HGJAA
HGJAB



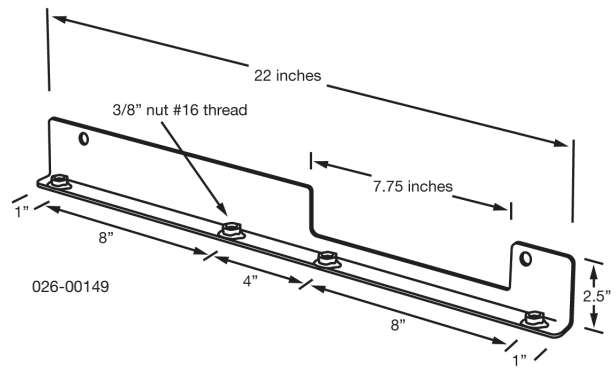
026-00149
Side Stringer with Weld Nuts

Description

Mounting brackets used for connecting underneath the unit to adapt to stringers or slides.

Compatibility

HGJAA
HGJAB



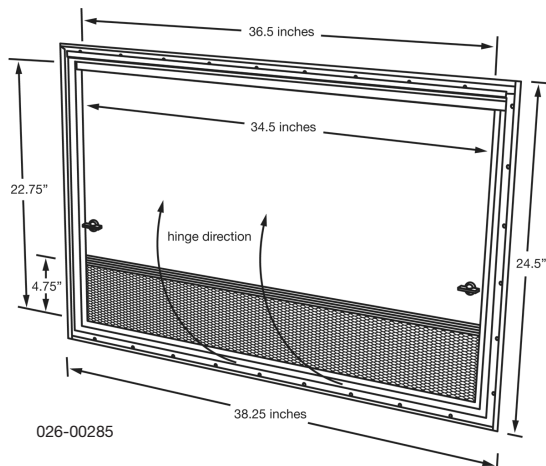
026-00285
External Door

Description

External door measuring 36.5" X 22.75" with a lower vent to provide an area for air intake when using discharge riser with wraps and discharging air through the floor.

Compatibility

HGJAA
HGJAB



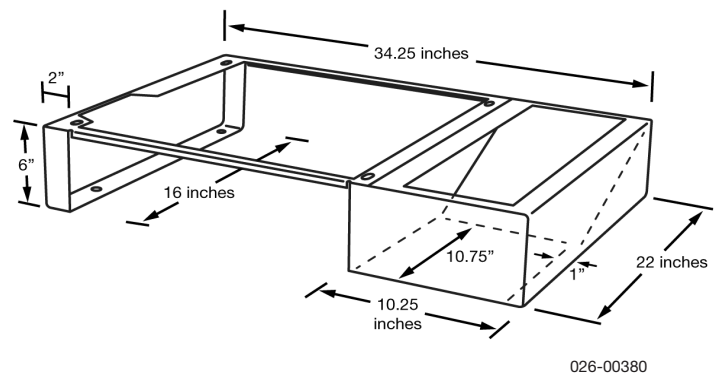
026-00380
Riser Kit

Description

Riser and installation tray measures 34.25" long, 22" deep, and 6" tall. This provides the height required for clearance.

Compatibility

HGJAA
HGJAB



RV QG 5500/7000 Accessories

026-00279 Towable Tray

Description

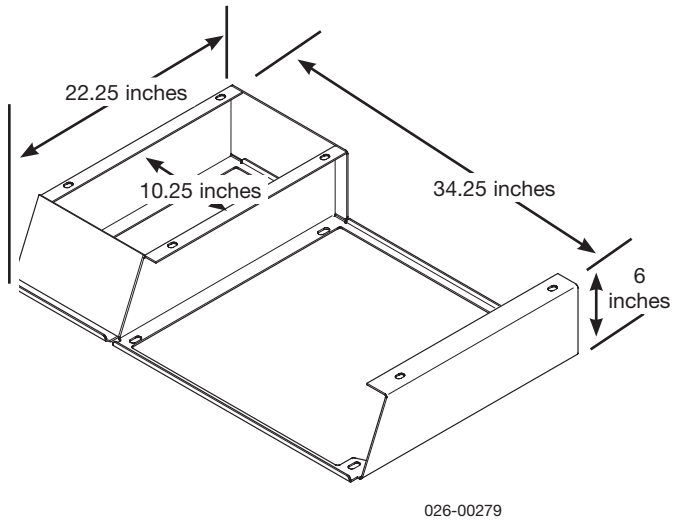
Allows installation of generator in compartments that do not have enough depth while maintaining proper air flow.

Benefits

Separates intake and exhaust air.

Compatibility

HGJAB (only LP or EVAP)



026-00169 Compartment Kit w/Standard Door

026-00191 Compartment Kit w/Flush Door

026-00192 Compartment Kit w/Outer Door

Description

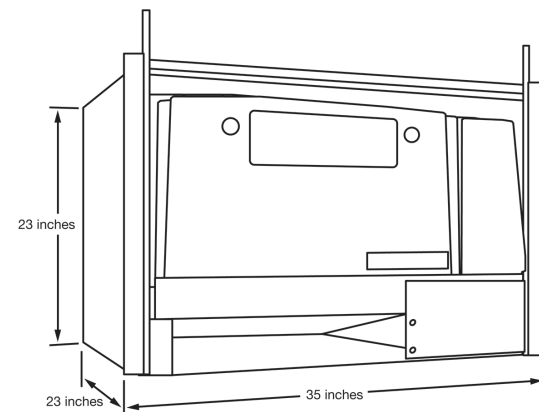
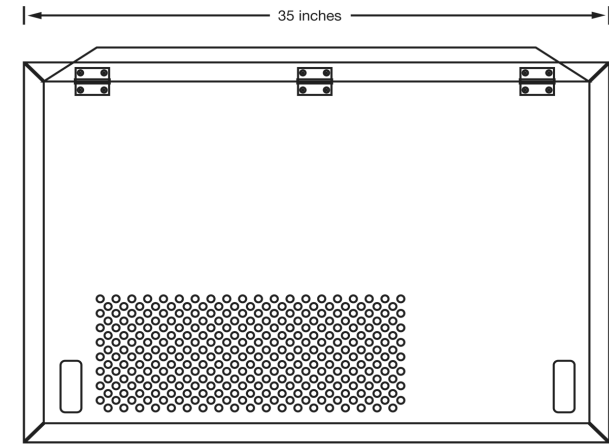
Compartment box for applications requiring a sealed location. Allows for fresh air to be drawn from the front of the compartment.

Compatibility

HGJAA
HGJAB

Kit Includes

Compartment (ref. 026-00127), door (ref. 026-00168), discharge wrap (ref. 026-00375) and two risers (ref. 026-00167).



026-00165
Underfloor Mounting Kit

026-00151
Underfloor Mounting Kit w/Door

Description

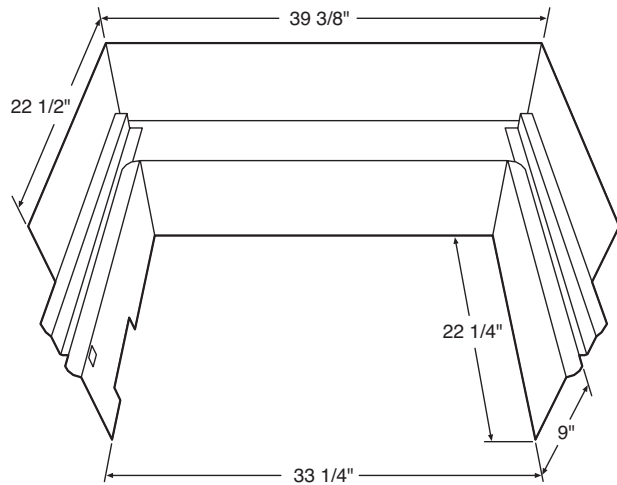
Undermount kit that allows generator to slide out 22 inches for easy access.

Compatibility

HGJAA
 HGJAB

Kit Includes

Upper tray (ref. 026-00117), lower tray (ref. 026-00138), slide rail set (ref. 699-01082) and Hardware. A 17-1/4 inch x 41-1/4 inch white door (ref. 699-01074) is supplied with kit 026-00151.



026-00151

699-01082
Compartment Slide Rail Set

Description

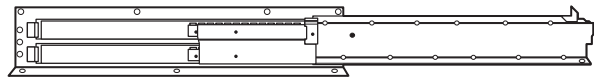
Used with underfloor mounting kits (ref. 026-00165 and 026-00151).

Compatibility

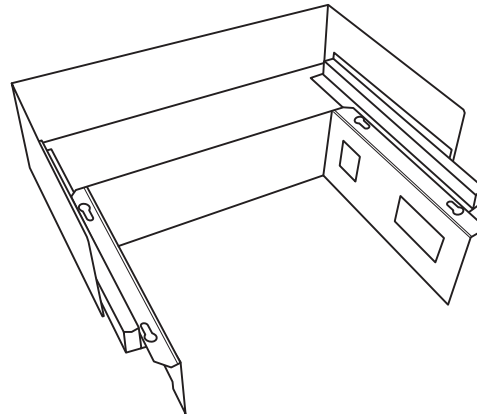
HGJAA
 HGJAB

Installation

Each slide rail assembly measures 22 inches x 4-1/2 inches with a 22 inch travel (extension). Maximum load capacity is 500 lbs. closed and 350 lbs. at full extension.



699-01082



Sample use

RV QG 5500/7000 Accessories

026-00292

Standard Compartment Door

026-00293

Flush Mount Compartment Door

026-00294

Outer Mount Compartment Door

Description

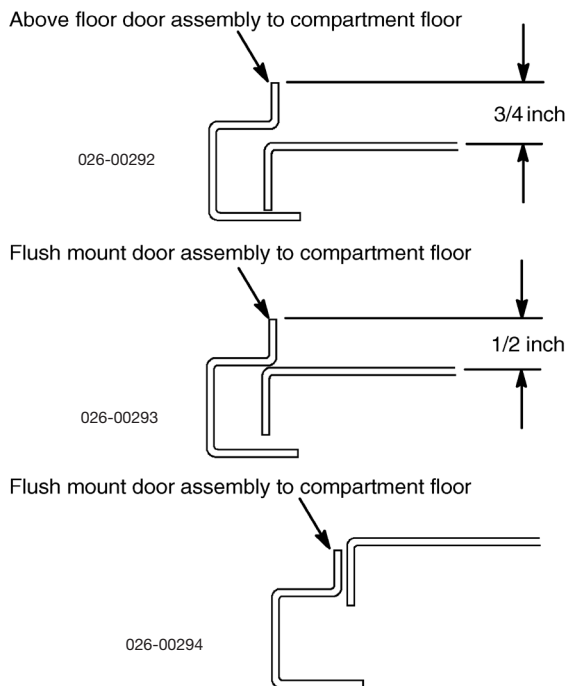
Compartment door that can be used either with our compartment or in a separate application.

Compatibility

HGJAA
HGJAB

Installation

Use flush mount door for external box installation. Use outer mount door for installation on side of vehicle when you want to be able to remove the generator without disturbing the door frame.



026-00193

6 Inch White Riser

026-00244

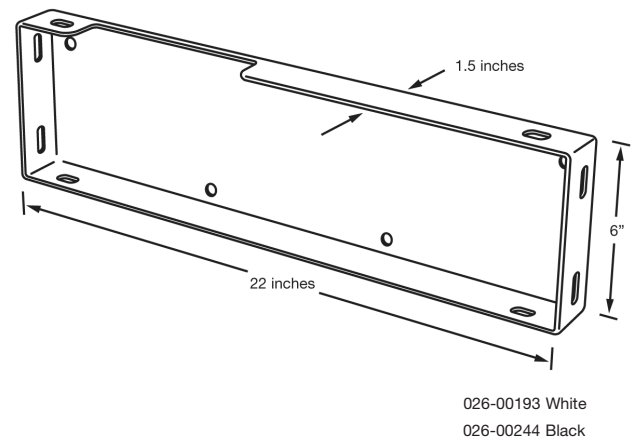
6 Inch Black Riser

Description

6 inch riser for installations that require additional height to meet the 6-inch unobstructed air flow requirements, or when installation will bring cooling air in the front of a door.

Compatibility

HGJAA
HGJAB



026-00374
Discharge Wrap
4 Inch Black

026-00375
Discharge Wrap
4 Inch White

026-00376
Discharge Wrap
6 Inch Black

026-00377
Discharge Wrap
6 Inch White

026-00164
Riser – 4 Inch Black

026-00167
Riser – 4 Inch White

Description

Used when all or part of generator air flow (intake and exhaust) is blocked or does not meet 12-inch ground clearance requirement. Six inches of unobstructed air flow is required for proper generator operation when installation will bring cooling air through the front of a door.

Benefits

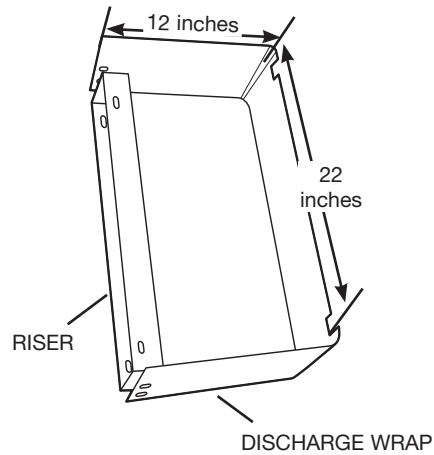
Discharge wrap and risers enhance necessary air flow to maximize generator performance by reducing engine heat.

Compatibility

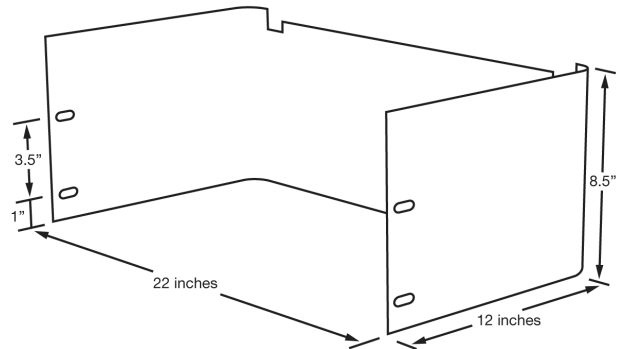
HGJAA
HGJAB

Installation

Order 2 risers for each generator.



026-00375



026-00377

RV QG 5500/7000 Accessories

026-00201

Front/Rear Exit Duct Kit

Description

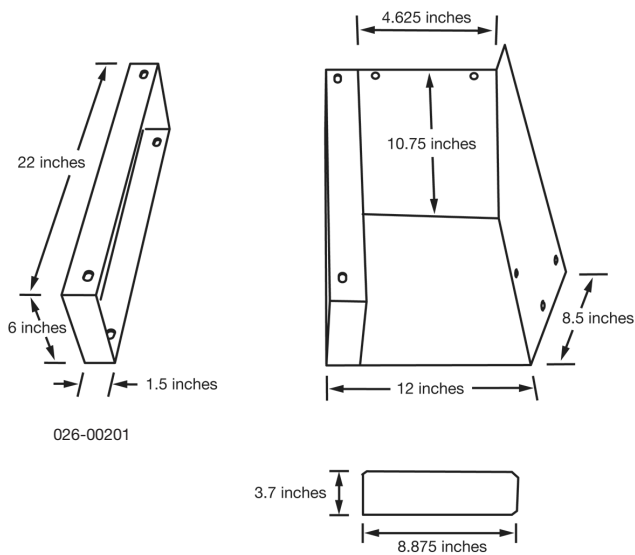
Allows generator to be mounted in a compartment with the intake air flowing through the door or floor and exhaust air flowing through the compartment door.

Compatibility

HGJAA
HGJAB

Kit Includes

White lower discharge bracket (ref. 026-00194), two 6 inch white risers (ref. 026-00193), white discharge deflector (ref. 026-00195), exhaust port cover (ref. 026-00198) and hardware.



026-00494

Air Discharge Vane Kit - Rear

026-00495

Air Discharge Vane Kit - Side

Description

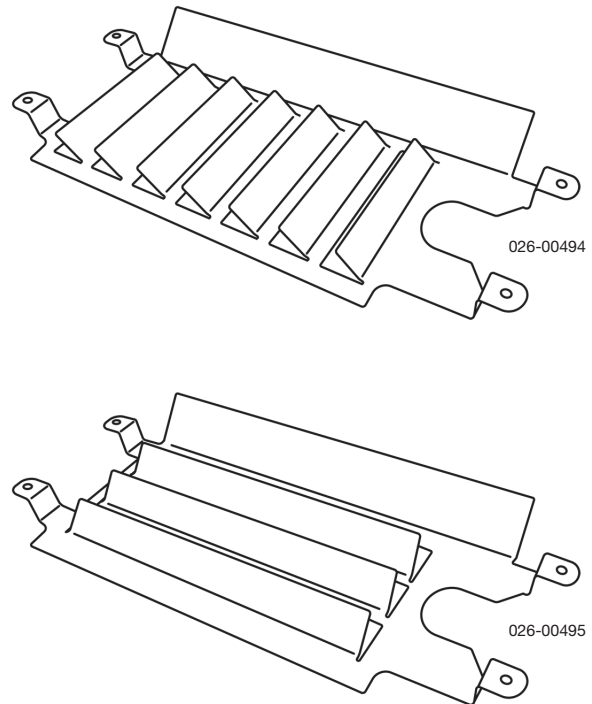
Directs cooling air outlet away from air cooling air inlet

Compatibility

HGJAA
HGJAB

Kit Includes

Air discharge vane and hardware.



Tailpipe & Exhaust Kits

Plan each individual exhaust system carefully. A proper installation is not only vapor-tight, but is quieter and safer. Be sure to **check** all applicable **recreational vehicle standards, and state and federal codes** regarding exhaust installations for recreational vehicles. Be sure the installation meets all applicable codes and requirements. **Refer to the proper Cummins Onan instruction sheet and installation manual for recommendations and important safety precautions** to follow when installing an exhaust system.

RV QG 5500, RV QG 5500 EVAP, RV QG 5500 LP, RV QG 5500 EFI, RV QG 6500 LP, RV QG 7000, RV QG 7000 EVAP and RV QG 7000 EFI generator sets have a built-in USDA Forest Service approved spark arrester muffler. **It is necessary to equip the generator set with a tailpipe at installation.**

0155-3481-01
Tailpipe Kit – 22 Inch

0155-3481-02
Tailpipe Kit – 26 Inch

Description

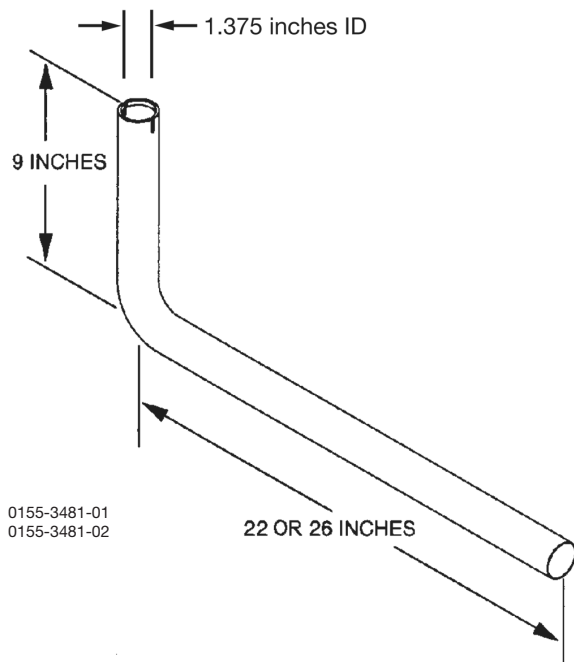
Tailpipe designed to connect to 1-3/8 inch O.D. generator downtube.

Compatibility

HGJAA
HGJAB

Kit Includes

Tailpipe, one clamp and one hanger.



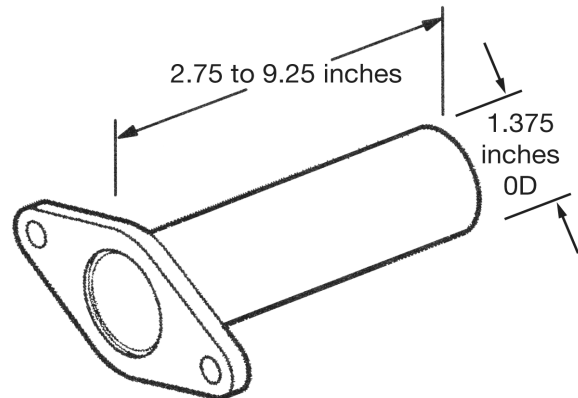
030-00039
Downtube

Description

Replaces standard 1-3/8 inch O.D. downtube.

Compatibility

HGJAA
HGJAB



030-00039

RV QG 5500/7000 Accessories

A026E097

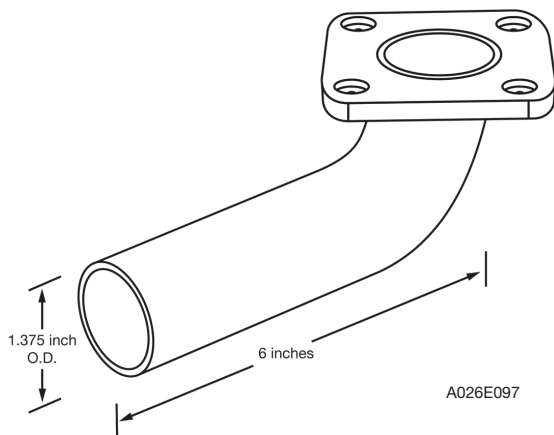
Exhaust Elbow – 90°

Description

Replaces standard 1-3/8 inch O.D. downtube. This tight radius elbow allows the tail pipe to be routed out through the “mouse hole” in the genset base front, side or back.

Compatibility

HGJAA
HGJAB



030-00097

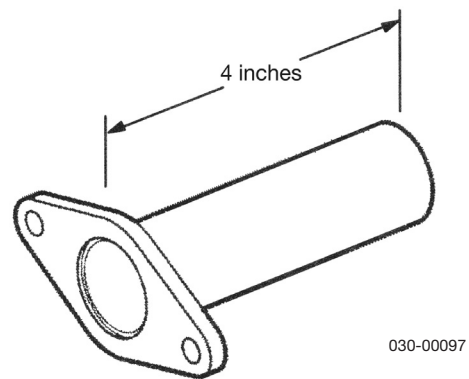
Exhaust Downtube with Flange

Description

Connects the generator muffler to the exhaust pipe.

Compatibility

HGJAA
HGJAB
HDKAH
HDKAK



0320-1572

Circuit Breaker Kit- 30 Amp

Description

Replaces 20-amp breaker when two 30-amp single pole, throw breakers are required.

Compatibility

HGJAA
HGJAB

Instruction Sheet

G25

046-00631

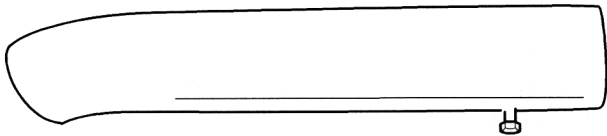
Chrome Tailpipe Extension

Description

1-1/2 inch O.D. x 10 inches long.

Compatibility

- HGJAA
- HGJAB
- HDKAH
- HDKAK
- HDKCA
- HDKCB



046-00631

Fuel System Kits

0541-1002

EFI Fuel Pump Kit

Description

EFI fuel pump kit for RV chassis.

Compatibility

- HGJAA

Installation

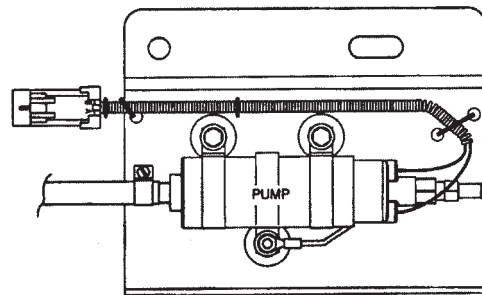
High pressure hose from pump to generator supplied by RV builder.

Kit Includes

EFI fuel pump w/rubber isolators and universal mounting bracket, 6 feet of 1/4-inch ID suction hose, 15-foot wiring harness, clamps and hardware.

Instruction Sheet

G591



0154-1002

RV QD 3200/6000/8000/10000/12500

Installation Templates

0539-1810
Floor Template

0539-4844
Floor Template

Description

A guide for marking mounting holes required to properly install generator.

Compatibility

Part No.	For Use With Models
0539-1810	HDKAH HDKAK
0539-4844	HDKCA HDKCB

026-00430
Slide Stringers

050-00012
Heavy Duty Slide Rail Set

Description

Can be used with narrow side mount frame (ref. 026-00281) and slide stringers (ref. 026-00282).

Compatibility

HDKAH
HDKAK
HDKCA
HDKCB

Installation

Each slide assembly measures 22 inches x 7 inches with a 23 inch travel (extension). Maximum load capacity is 816 lbs. at full extension.

Mounting Kit

026-00364
Small QD Side Slide Tray

Description

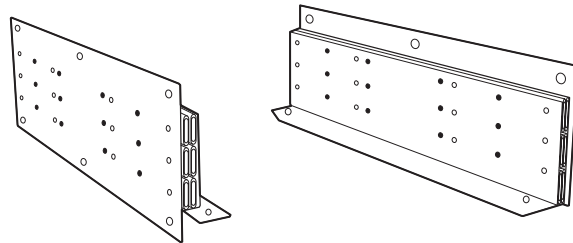
Side slide tray for the HDKAH and HDKAK, to allow side installations to be out on slides for easy access.

Compatibility

HDKAH
HDKAK

Installation

Can be used with or without slide rail set. Tray provides 17-3/4 inches of travel when used with heavy duty slide rail set (ref. 050-00012).



050-00012

026-00314
Slide Tray Kit

Description

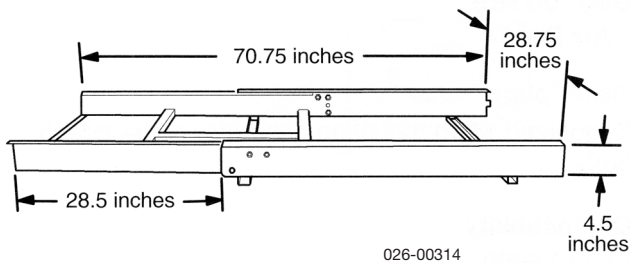
Kit allows generator to be extended (slid out) 28-1/2 inches from mounting tray for easy access. Designed for easy generator removal.

Compatibility

HDKAH
HDKAK

Installation

Commonly used on diesel pusher style coaches with front mounted generator.



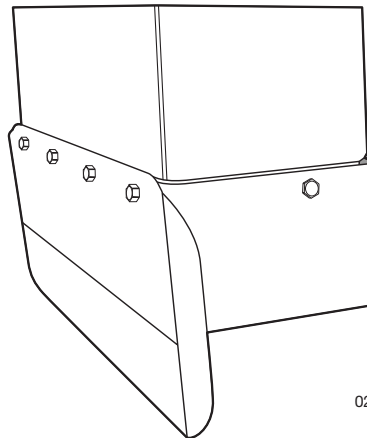
026-00129
Air Dam

Description

Suggested when mounting generator below coach body.

Compatibility

HDKAH
HDKAK
HDKCA
HDKCB



026-00315
Slide Tray Kit

Description

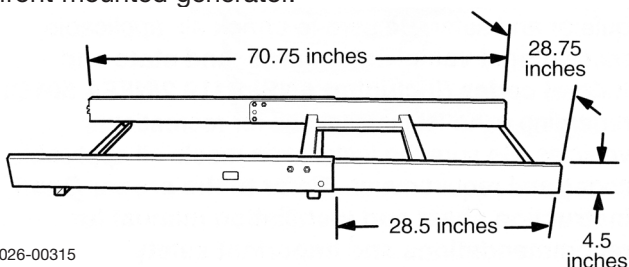
Kit allows generator to be extended (slid out) 28-1/2 inches from mounting tray for easy access. Designed for easy generator removal.

Compatibility

HDKAH
HDKAK
HDKCA
HDKCB

Installation

Commonly used on diesel pusher style coaches with front mounted generator.



Tailpipe & Exhaust Kits

Plan each individual exhaust system carefully. A proper installation is not only vapor-tight, but is quieter and safer. Be sure to **check** all applicable **recreational vehicle standards, and state and federal codes** regarding exhaust installations for recreational vehicles. Be sure the installation meets all applicable codes and requirements. **Refer to the proper Cummins Onan instruction sheet and installation manual for recommendations and important safety precautions** to follow when installing an exhaust system.

046-00631

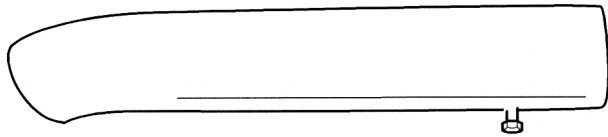
Chrome Tailpipe Extension

Description

1-1/2 inch O.D. x 10 inches long.

Compatibility

HGJAA
HGJAB
HDKAH
HDKAK
HDKCA
HDKCB



046-00631

030-00019

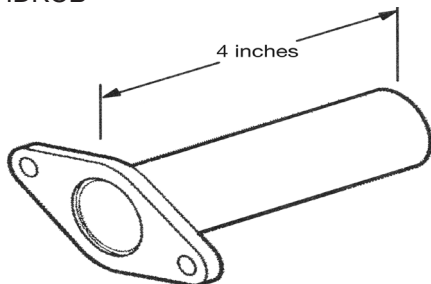
Downtube

Description

4 Inch Downtube 1.375 inch OD adapts to flange to 1 3/8 O.D.

Compatibility

HDKAH
HDKAK
HDKCA
HDKCB



030-00019

A026E098

Exhaust Elbow 90° – 7 Inch

A026E082

Exhaust Elbow 90° – 6 Inch

030-00032

Exhaust Elbow 90° – 6 Inch

030-00034

Exhaust Elbow 90° – 7 Inch

030-00035

Exhaust Elbow 90° – 7 Inch

Description

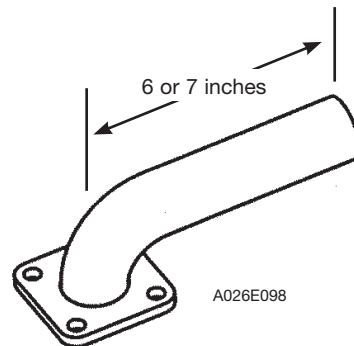
Adapts flange to 1-3/8 inch O.D. tube.

Compatibility

Part No.	For Use With Models
A026E098	HDKAH
030-00034	HDKAK
A026E082	HDKCA
030-00032	HDKCB
030-00035	

Installation

Use with 1-1/2 inch O.D. tailpipe.



A026E098

030-00011

Downtube – 2-3/4 Inch

030-00007

Downtube Kit – 2-3/4 Inch

030-00009

Downtube Kit w/Gasket – 2-3/4 Inch

0155-2610

Downtube – 3 Inch

0155-2424

Downtube – 7 Inch

Description

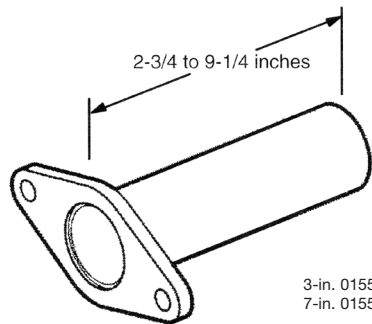
Adapts flange to 1-3/8 inch O.D. tube.

Compatibility

HDKAH
HDKAK
HDKCA
HDKCB

Installation

Use with 1-1/2 inch O.D. tailpipe.



030-00097

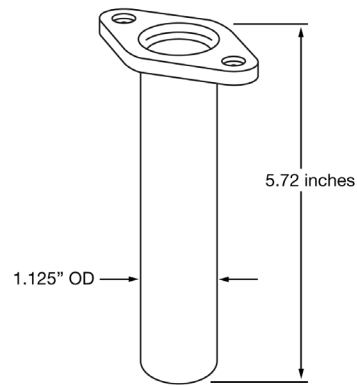
Exhaust Downtube with Flange

Description

Connects the generator muffler to the exhaust pipe.

Compatibility

HGJAA
HGJAB
HDKAH
HDKAK



030-00097

Fuel System Kits

038-00201

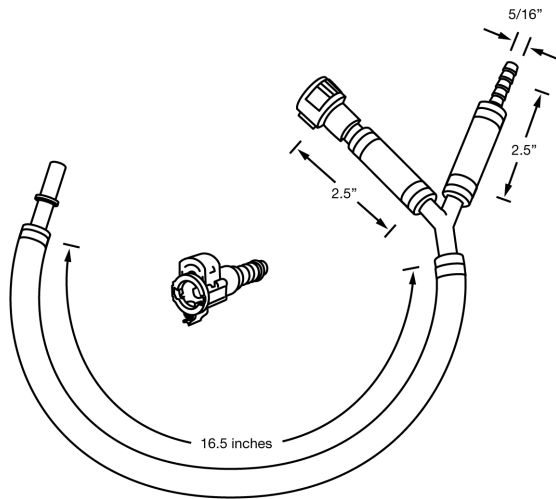
Sprinter Fuel Return Line Kit

Description

3/8 inch Sprinter Fuel Return Line Kit, for routing fuel return for diesel units to the OEM Fuel System, includes 3/8 inch pick up for fuel supply.

Compatibility

HDKAH
HDKAK
HDKCA
HDKCB
HDZAA



038-00201

0149-2573

Fuel Filter/ Water Separator Kit

Description

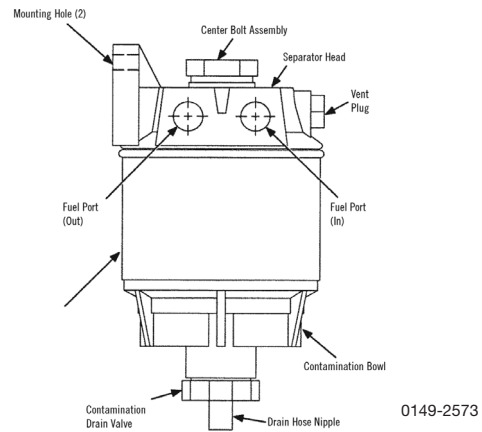
For use with diesel generators. Kit includes fuel/water separator and all necessary hardware.

Compatibility

HDKAH
HDKAK
HDKCA
HDKCB

Instructions Sheet

G297



038-00202

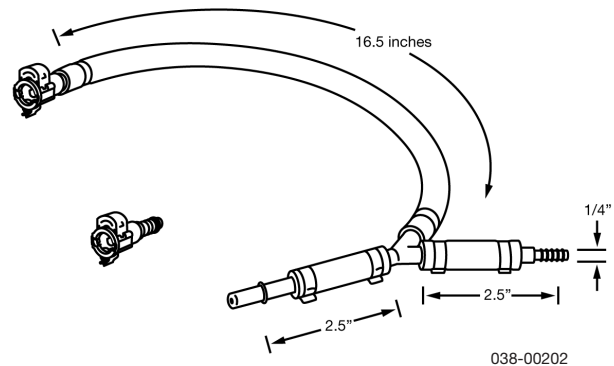
Sprinter Fuel Return Line Kit

Description

3/8 inch Sprinter Fuel Return Line Kit, for routing fuel return for diesel units to the OEM Fuel System, includes 3/8 inch pick up for fuel supply.

Compatibility

HDKAH
HDKAK
HDKCA
HDKCB
HDZAA



038-00202

Electrical System Accessories

Control Panels, Gauges and Displays

0300-5331

Switch Panel

0300-4942

Switch Panel

699-00589

Switch Panel

Description

For use with gasoline, LP vapor and diesel generators. Features an illuminated Start/Stop rocker switch and mounting plate.

Compatibility

Part No.	Universal Harnesses	For Use With Models
0300-5331	0338-3489-01 (10 ft)	Gasoline & LP Units HGJBB KY HGJAA HGJAB
	0338-3489-02 (30 ft)	
0300-4942	0338-3490-01 (10 ft)	Diesel Units HDKAH HDKAK HDKCA HDKCB
	0338-3490-02 (30 ft)	
699-00589	044-00003 (10 ft)	Gasoline, LP & Diesel Units
	044-00055 (12 ft)	HGJBB HDKAH
	044-00026 (25 ft)	KY HDKAK
	044-00041 (40 ft)	HGJAA HDKCA
	044-00071 (50 ft)	HGJAB HDKCB

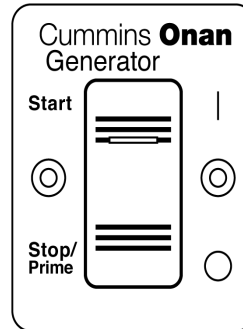
Kit Includes

Panel assembly, mounting screws and instruction sheet.

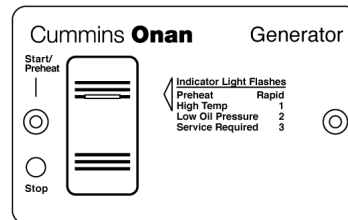
Instruction Sheet

C537 (ref. 0300-5331)

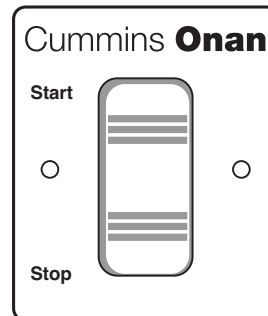
C539 (ref. 0300-4942)



0300-5331



0300-4942



699-00589

Electrical System Accessories

0300-5332

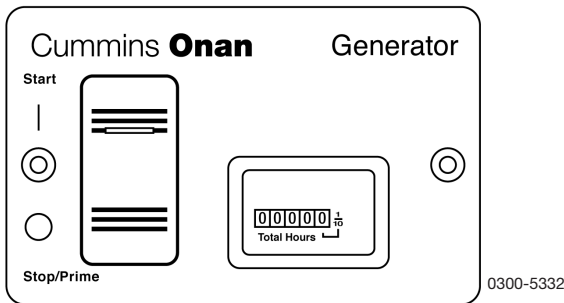
Switch and Hourmeter Panel - Analog

028-00022

Switch and Hourmeter Panel - LCD

Description

For use with gasoline and LP vapor generators. Features an illuminated Start/Stop rocker switch, hourmeter and mounting plate.



0300-5332

0300-4943

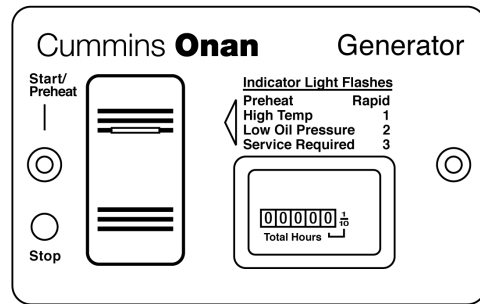
Switch and Analog Hourmeter Panel

028-00023

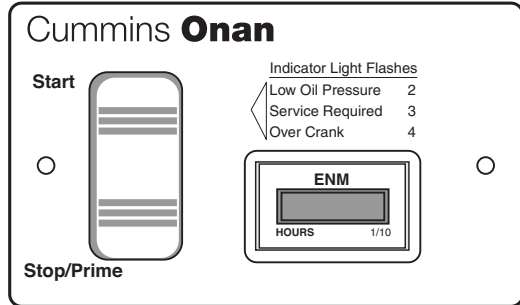
Switch and LCD Hourmeter Panel

Description

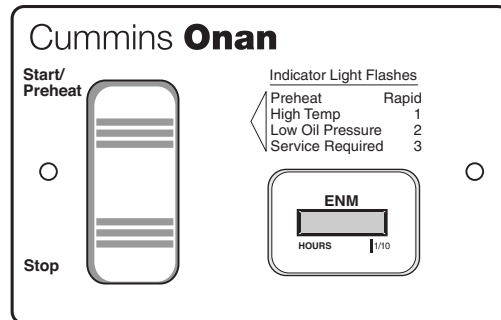
For use with diesel generators. Features an illuminated Start/Stop rocker switch, hourmeter and mounting plate.



0300-4943



028-00022



028-00023

Compatibility

Part No.	Universal Harnesses	For Use With Models
0300-5332	338-3489-01 (10 ft) 338-3489-02 (30 ft)	Gasoline & LP Units
028-00022	044-00055 (12 ft) 044-00026 (25 ft) 044-00041 (40 ft) 044-00071 (50 ft)	HGJBB KY HGJAA HGJAB

Compatibility

Part No.	Universal Harnesses	For Use With Models
0300-4943	338-3490-01 (10 ft) 338-3490-02 (30 ft)	Diesel Units HDKAH HDKAK
028-00023	044-00057 (15 ft) 044-00062 (25 ft) 044-00063 (40 ft) 044-00072 (50 ft)	HDKCA HDKCB

Kit Includes

Panel assembly, mounting screws and instruction sheet.

Instruction Sheet

C537 (ref. 0300-5332)

Kit Includes

Panel assembly, mounting screws and instruction sheet.

Instruction Sheet

C539 (ref. 0300-4943)

699-00988
Round Hourmeter Kit

699-00986
Round Hourmeter

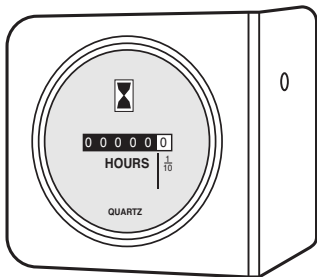
028-00031
LCD Hourmeter

Description

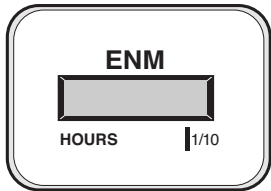
Universal aluminum mounting bracket supplied with kit (ref. 699-00988).

Compatibility

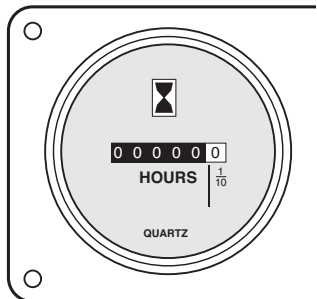
All generators



699-00988



028-00031



699-00986

0300-5333
Switch and Voltmeter Panel

0300-4944
Switch and Voltmeter Panel

Description

Features an illuminated Start/Stop rocker switch voltmeter and mounting plate.

Compatibility

Part No.	Universal Harnesses	For Use With Models	
0300-5333	0338-3490-01 (10 ft)	Gasoline and LP Units HGJBB KY HGJAA HGJAB	
	0338-3490-02 (30 ft)		
0300-4944	0338-3490-01 (10 ft)		Diesel Units HDKAH HDKAK HDKCA HDKCB
	0338-3490-02 (30 ft)		

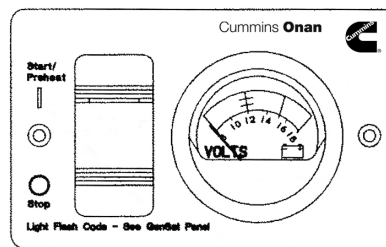
Kit Includes

Panel assembly, mounting screws and instruction sheet with mounting template.

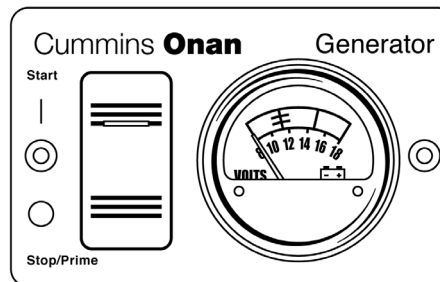
Instruction Sheet

C537 (ref. 0300-5333)

C539 (ref. 0300-4944)



0300-4944



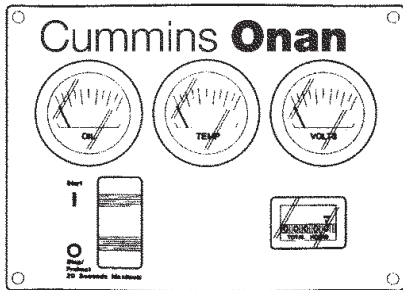
0300-5333

Electrical System Accessories

0300-5027 Remote Gauge Panel

Description

For use with diesel generators. Features an oil pressure gauge, coolant temperature gauge, voltmeter, illuminated Start/Stop rocker switch, hourmeter and mounting plate.



0300-5027

Compatibility

Part No.	Universal Harnesses	For Use With Models
0300-5027	0338-3490-01 (10 ft)	HDKAH begin Spec. F
	0338-3490-02 (30 ft)	HDKAK begin Spec. F

Kit Includes

Panel assembly, mounting screws and instruction sheet with mounting template.

Instruction Sheet

C547

699-01001 Start/Stop Switch

Description

Start/Stop rocker switch

Compatibility

HDKAH	HGJAA
HDKAK	HGJAB
HDKCA	HGJBB
HDKCB	KY



699-01001

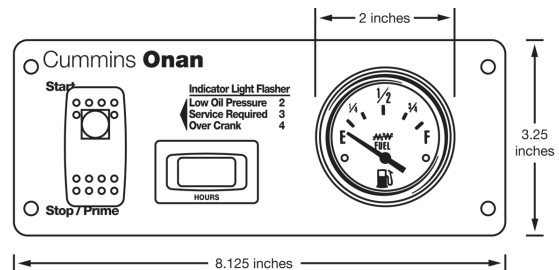
028-00019 Switch and Analog Meter with Fuel Gauge

Description

Switch and Analog hour meter with fuel gauge for gasoline generator installations.

Compatibility

HGJBB
KY
HGJAA
HGJAB



028-00019

Remote Panel Harnesses

044-00137

RV QD 3200 Control Harness

Description

25 foot replacement control harness for the RV QD 3200.

Compatibility

HDZAA

044-00080

Diesel Y Harness

Description

10 Pin 'Y' Connector for Quiet Diesel products, used for integrating a branch control circuit.

Compatibility

HDKAH
HDKAK
HDKCA
HDKCB

044-00050

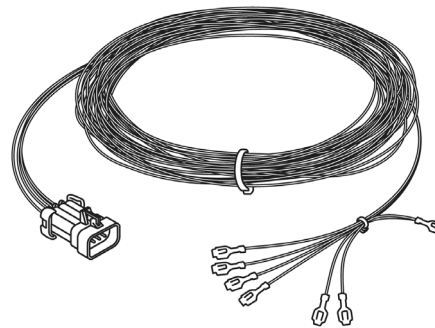
Gas Remote Wire Harness

Description

60 foot remote wire harness, five wire 8 pin Delphi connector for routing to a start/stop switch.

Compatibility

HGJBB
KY
HGJAA
HGJAB



044-00050

Electrical System Accessories

0300-4946 Gasoline

Pigtail to Generator

0300-4947 Diesel

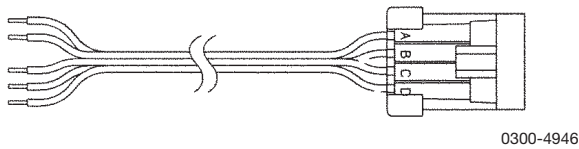
Pigtail to Generator

Description

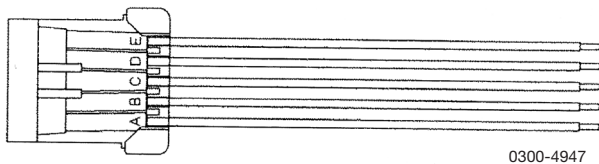
Features a connector that mates with the remote panel connector at the generator and 6 inches of wire without terminals.

Compatibility

Part No.	For Use With Models
0300-4946	HGJBB
	KY
	HGJAA
	HGJAB
0300-4947	HDKAH
	HDKAK
	HDKCA
	HDKCB



0300-4946



0300-4947

0338-3513

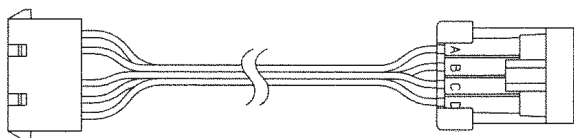
New Generator Adapter Harness

Description

For new gasoline and LP vapor generators. Harness assembly that mates with the remote panel connector at the generator and adapts to wiring of the "old-style" remote panel connector at the generator.

Compatibility

HGJBB
 KY Spec (J or newer)
 HGJAA
 HGJAB



0338-3513

0338-3572 Gasoline

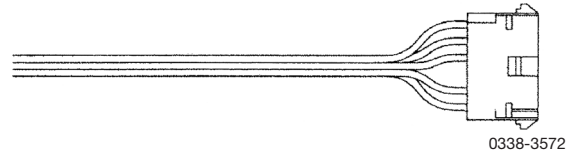
Pigtail to Control Panel

0338-3573 Diesel

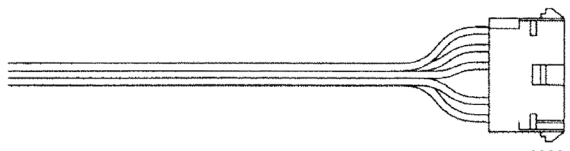
Pigtail to Control Panel

Description

Features a connector that mates with the connector at the remote panel and 6 inches of wire without terminals.



0338-3572



0338-3573

Compatibility

Part No.	For Use With Control Panels
0338-3572	0300-5331
	0300-5332
	0300-5333
0300-4947	0300-4942
	0300-4943
	0300-4944
	0300-5027

0338-3514

New Remote Panel Adapter Harness

Description

For gasoline and LP vapor generators with the 6 pin remote panel connection to adapt to an 8 pin remote panel harness..



0338-3514

0338-3489-01

Remote Panel Harness – 10 Foot

0338-3489-02

Remote Panel Harness – 30 Foot

044-00003

Remote Panel Harness – 10 Foot

044-00055

Remote Panel Harness – 12 Foot

044-00026

Remote Panel Harness – 25 Foot

044-00041

Remote Panel Harness – 40 Foot

044-00071

Remote Panel Harness – 50 Foot

Description

For gasoline and LP vapor generators. Harness assembly that mates with the remote panel connector at the generator and the connector(s) at the remote panel.

Compatibility

Part No.	For Use With Control Panels
0338-3489-01	0300-5331
0338-3489-02	0300-5332
	0300-5333
044-00003	028-00005
044-00026	028-00014
044-00041	028-00020
044-00055	699-00589
044-00071	

0338-3490-01

Remote Panel Harness – 10 Foot

0338-3490-02

Remote Panel Harness – 30 Foot

044-00070

Remote Panel Harness – 12 Foot

044-00057

Remote Panel Harness – 15 Foot

044-00062

Remote Panel Harness – 25 Foot

044-00063

Remote Panel Harness – 40 Foot

044-00072

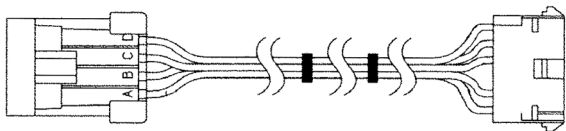
Remote Panel Harness – 50 Foot

Description

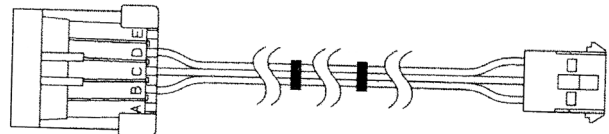
For diesel generators (except for HDZAA). Harness assembly that mates with the remote panel connector at the generator and the connector(s) at the remote panel.

Compatibility

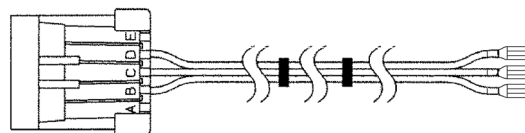
Part No.	For Use With Control Panels
0338-3490-01	0300-4942
0338-3490-02	0300-4943
	0300-4944
	0300-5027
044-00010	028-00007
044-00057	028-00008
044-00062	
044-00063	
044-00072	



0338-3489-01 and 0338-3489-02 shown



0338-3490-01 and 0338-3490-02 shown



044-00010 thru 72 shown

Electrical System Accessories

Auto Generator Start

018-02020

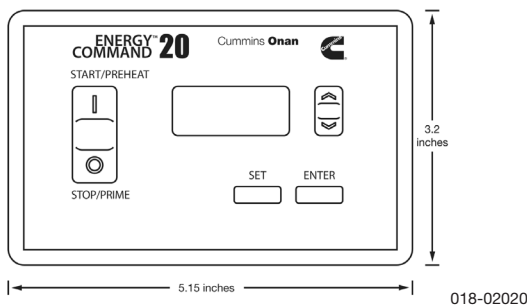
Cummins Onan Energy Command EC-20

Description

Generator and RV battery monitoring system.

Compatibility

HDKAH	HGJAA
HDKAK	HGJAB
HDKCA	HGJBB
HDKCB	KY



018-03000

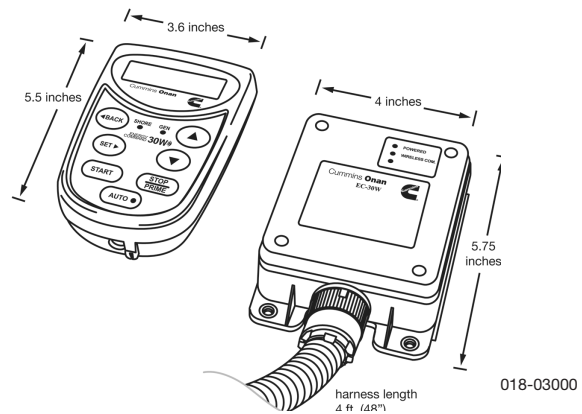
Cummins Onan Wireless Energy Command EC-30W

Description

Wireless auto generator start with generator and battery monitoring system.

Compatibility

HDKAH	HGJAA
HDKAK	HGJAB
HDKCA	HGJBB
HDKCB	KY



018-02030

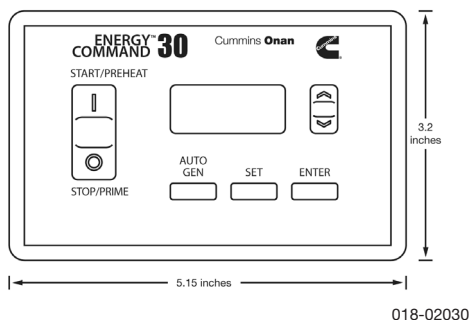
Cummins Onan Energy Command EC-30

Description

Auto generator start with generator and battery monitoring system.

Compatibility

HDKAH	HGJAA
HDKAK	HGJAB
HDKCA	HGJBB
HDKCB	KY



044-00075

EC-30 Wiring Harness

Description

25 foot wiring harness for the EC-30, pre-wired with compatible connectors to the EC-30 and the generator.

Compatibility

HGJBB
KY
HGJAA
HGJAB

044-00160
EC-30W Interior Harness

Description

EC-30W 22 inch interior harness with splice connectors. For installation of the EC-30W display module inside a vehicle.

Compatibility

HGJBB	KY
HGJAA	HGJAB
HDKAH	HDKAK
HDKCA	HDKCB

044-00076
EC-30 Wiring Harness

Description

25 foot wiring harness for the EC-30, pre-wired with compatible connectors to the EC-30 and the generator.

Compatibility

HDKAH
HDKAK
HDKCA
HDKCB

044-00077
EC-30 18 Inch Pigtail

Description

18 inch pigtail with compatible connector for the EC-30, allows custom wire harness configurations.

Compatibility

HGJBB	KY
HGJAA	HGJAB
HDKAH	HDKAK
HDKCA	HDKCB

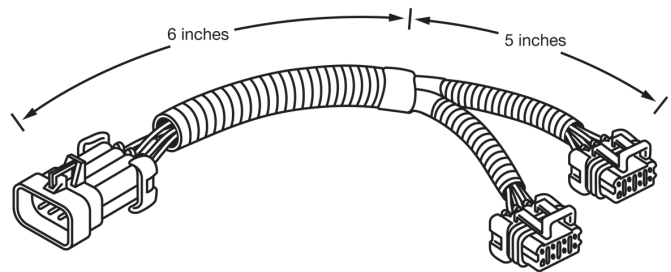
044-00087
EC-30W Gas Y Harness

Description

'Y' Connector used to install an EC-30W on all gasoline and LP generators except for KV/KVD.

Compatibility

HGJBB
KY
HGJAA
HGJAB



044-00087

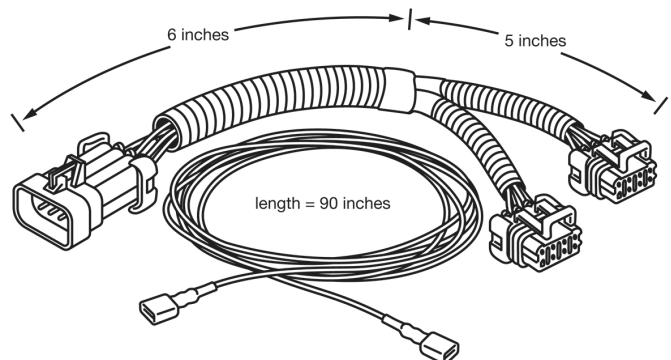
044-00088
EC-30W Diesel Y Harness

Description

'Y' Connector used to install an EC-30W on diesel generators.

Compatibility

HDKAH
HDKAK
HDKCA
HDKCB



044-00088

Electrical System Accessories

018-01052

EC-30 Amp Connector

Description

AMP housing plug 16 PIN 600V 9.5A, for use with EC-30.

Compatibility

EC-30
EC-20

018-01074

EC-30 Amp Connector Socket

Description

Contact, socket 600V 9.5A, for use with 018-01052.

Compatibility

EC-30
EC-20

AC Conduits & Junction Box Kits

042-00053

Non-Metallic Conduit - 38 Inches

042-00079

Metallic Conduit - 60 Inches

Description

Used with gasoline and LP vapor generators, features 1/2 inch diameter metallic or non-metallic liquid-tight conduit with a liquid-tight connector at one end. Custom length conduits available on request.

Installation

Can be installed above or below RV floor.



042-00053

042-00050

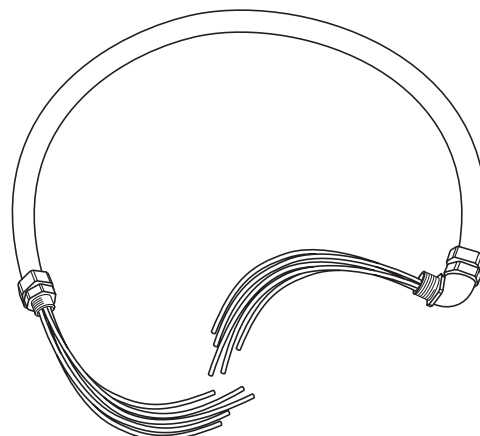
Conduit w/2 Connectors- 38 Inches

Description

Used with 1 phase - 120 volt diesel generators, features 3/4 inch diameter non-metallic liquid-tight conduit filled with 5 #8 wires, and liquid-tight connectors. Custom length conduits available on request.

Installation

Can be installed above or below RV floor.



042-00050

042-00006

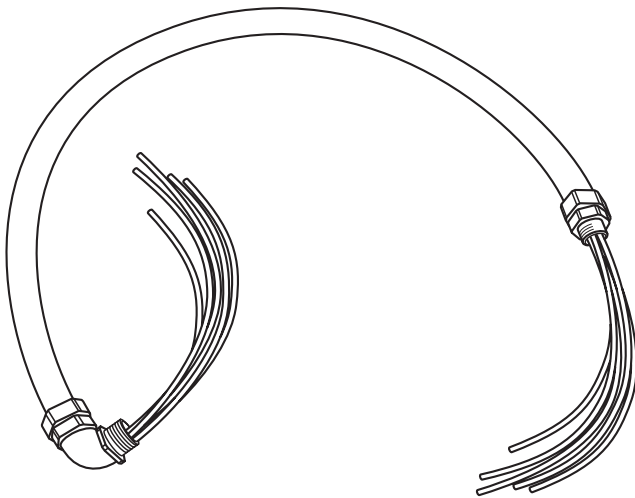
Conduit w/2 Connectors - 38 Inches

Description

Used with 1 phase - 120/240 volt diesel generators, features 3/4 inch diameter non-metallic liquid-tight conduit filled with 3 #8 wires, 1 #6 wire and liquid-tight connectors. Custom length conduits available on request.

Installation

Can be installed above or below RV floor.



042-00006

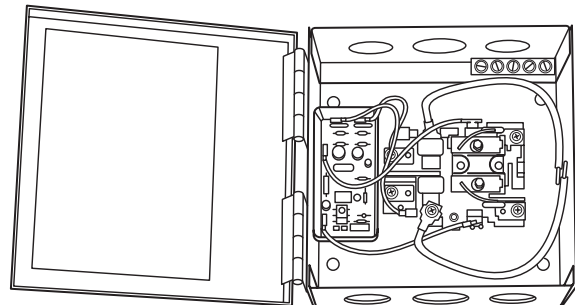
AC Transfer Switches

032-00061

Transfer Switch - 30 Amp

Description

Includes four 1/2-3/4 inch knockouts.



032-00061

032-00093

Transfer Switch - 50 Amp

Description

Includes one 1/2-3/4 inch knockout, one 3/4-1 inch knockout, and three 1-1-1/4 inch knockouts.

Electrical System Accessories

Battery Cables

048-00047

Battery Cable – 2 Foot

048-00049

Battery Cable – 2-1/2 Foot

048-00051

Battery Cable – 3 Foot

048-00053

Battery Cable – 4 Foot

048-00023

Battery Cable – 10 Foot

048-00038

Battery Cable – 20 Foot

048-00037

Raw Battery Cable (by the foot)

Description

Supplied with ring terminals at each end. Custom length cables available on request.



048-00047

LP Fuel System Accessories

LP Fuel Lines

038-00077

LPG High Pressure Line - #6 x 48 In.

038-00066

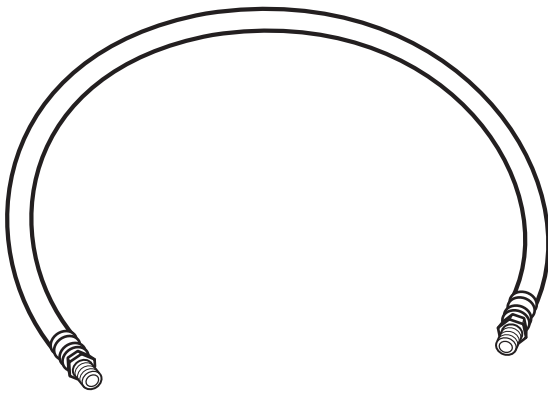
LPG High Pressure Line - #12 x 108 In.

Description

Part No.	Connectors
038-00077	1/4 Inch Straight Male NPT (2)
038-00066	3/4 Inch Straight Female NPT (1)
	3/4 Inch Straight Male NPT (1)

Installation

For above floor use only.



038-00077

038-00078

LPG Low Pressure Line - 48 Inch

038-00079

LPG Low Pressure Line - 48 Inch

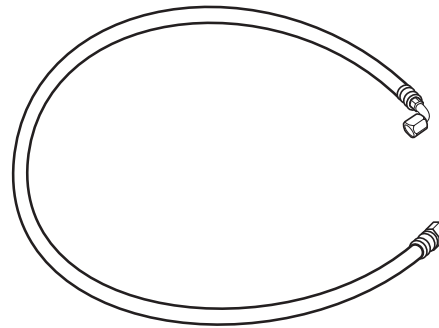
Description

Part No.	Connectors
038-00078	3/8 Inch Straight Female Flare (2)
038-00079*	1/4 Inch 90 Female Flare (1)
	3/8 Inch Straight Female Flare (1)

* Recommended for tight left side installations of RV QG 3600 LP.

Installation

For above floor use only.



038-00079

LP Fuel System Accessories

038-00034

LPG High Pressure Line - #8 x 48 In.

038-00023

LPG High Pressure Line - #8 x 108 In.

038-00084

LPG High Pressure Line - #12 x 72 In.

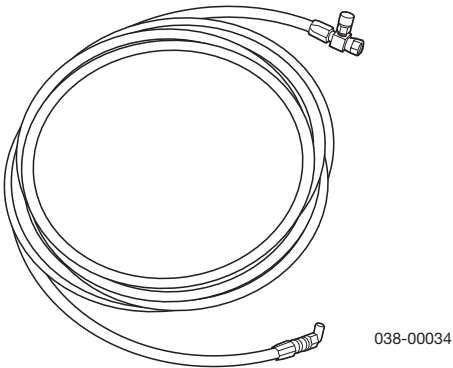
Description

Made of braided high pressure hose with an in-line relief valve.

Part No.	Connectors
038-00034	3/8 Inch Straight Female Flare (2)
038-00023	3/8 Inch Straight Female Flare (2)
038-00084	3/8 Inch Straight Male NPT (1)
	3/4 Inch Straight Male NPT (1)

Installation

Approved for use under floor.



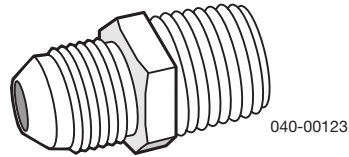
LP Brass Fittings

040-00123

Straight Flare Fitting

Description

1/2 Male 45 Flare x 1/2 Male NPT.

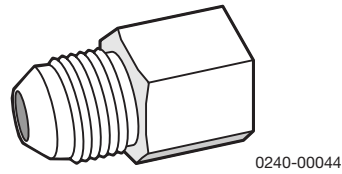


040-00044

Flare Fitting

Description

3/8 Male 45 Flare x 3/8 Female 45 Flare.

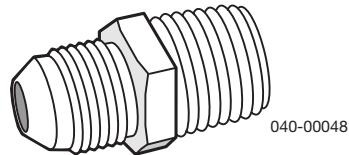


040-00048

Straight Flare Fitting

Description

1/2 Male 45 Flare x 3/8 Male NPT



040-00050
Branch Tee

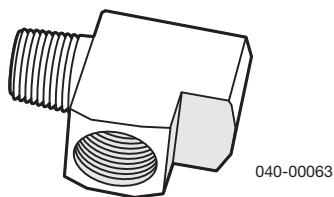
Description

1/4 Male NPT x 1/4 Female NPT.

040-00063
Branch Tee

Description

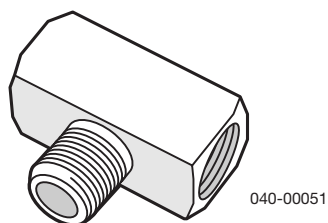
3/8 Male NPT x 3/8 Female NPT.



040-00051
Run Tee

Description

1/4 Male NPT x 1/4 Female NPT.



Pressure Regulators

699-00683

Regulator – 2 Stage w/Vent at 9 o'clock

699-01049

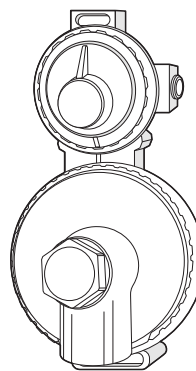
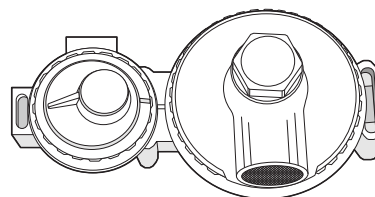
Regulator – 2 Stage w/Vent at 6 o'clock

Description

Features a 1/4 Female NPT inlet and a 3/8 Female NPT outlet. 11 inches WC, 160k btu/hr capacity.

Installation

Install with vent pointing down. 9 o'clock vent style for horizontal installation and 6 o'clock vent style for vertical installation.



LP Fuel System Accessories

699-01048

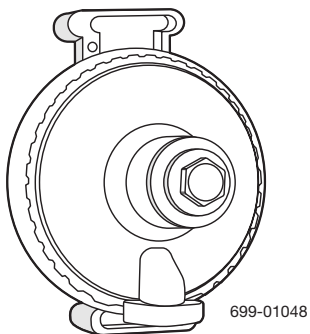
Single Stage Regulator w/Vent at 6 o'clock

Description

Features a 1/4 Female NPT inlet and a 3/8 Female NPT outlet. 11 inches WC, 140k BTU/hr capacity.

Installation

Install with vent pointing down. Single stage regulators do not meet code for use on RVs.



Exhaust System Accessories

Tailpipes & Exhaust Tubes

046-00402

Tailpipe – 1-1/4 Inch O.D.

046-00489

Tailpipe – 1-1/4 Inch O.D.

046-00821

Tailpipe – 1-1/4 Inch O.D.

046-00816

Tailpipe – 1-1/4 Inch O.D.

046-00809

Tailpipe – 1-1/4 Inch O.D.

Compatibility

Size	For Use With Models
1-1/4 inch O.D.	HGJBB KY

046-00794

Tailpipe – 1-1/2 Inch O.D.

046-00787

Tailpipe – 1-1/2 Inch O.D.

046-00781

Tailpipe – 1-1/2 Inch O.D.

046-00722

Tailpipe – 1-1/2 Inch O.D.

046-00705

Tailpipe – 1-1/2 Inch O.D.

046-00259

Tailpipe – 1-1/2 Inch O.D.

046-00533

Tailpipe – 1-1/2 Inch O.D.

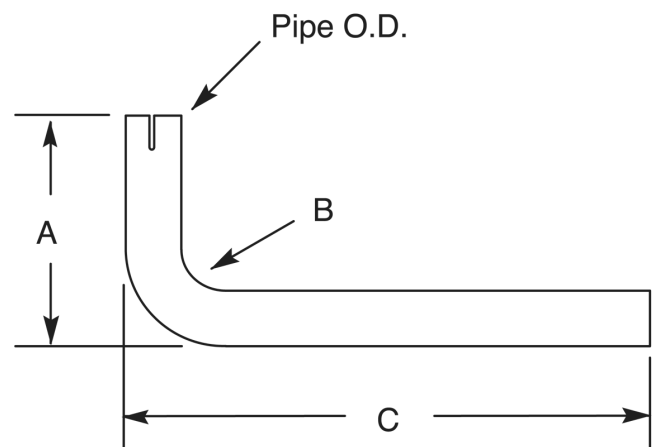
Compatibility

Size	For Use With Models
1-1/2 O.D.	HGJAA HGJAB HDKAH HDKAK HDKCA HDKCB

Description

Part No.	Length A	Bend B	Length C
046-00402	4 inches	90°	60 inches
046-00489	6 inches	90°	21 inches
046-00821	3-1/2 inches	90°	44 inches
046-00816	12 inches	90°	22 inches
046-00809	4 inches	90°	8 inches
046-00794	7 inches	90°	22 inches
046-007871	5 inches	90°	54 inches
046-00781	5 inches	90°	84 inches
046-00722	6 inches	90°	36 inches
046-00705	6 inches	90°	28 inches
046-00259	6 inches	90°	68 inches
046-005332	2 inches	90°	24 inches

Chrome tailpipes available on request (allow 2-3 weeks for delivery).
Stainless steel tubing available in some sizes.



Exhaust System Accessories

026-00344

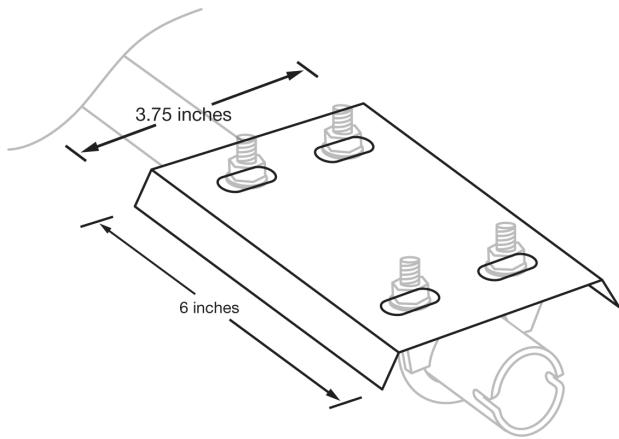
Exhaust Shield

Description

Exhaust heat shield-6 inches in length with 4 slotted holes for installation.

Compatibility

Exhaust Components



026-00344

699-01154

Flex Tube w/90° Bend – 8 Inch

699-01156

Flex Tube w/90° Bend – 16 Inch

699-01157

Flex Tube w/90° Bend – 24 Inch

699-00692

Flex Tube w/90° Bend & Drain – 14 Inch

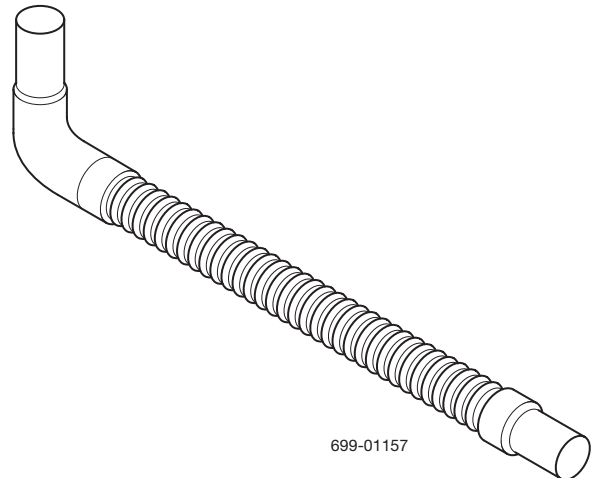
Description

All flex tubes have 1-1/8 inch O.D. ends. 14 inch flex tube (ref. 699-00692) includes moisture drain and drain plug.

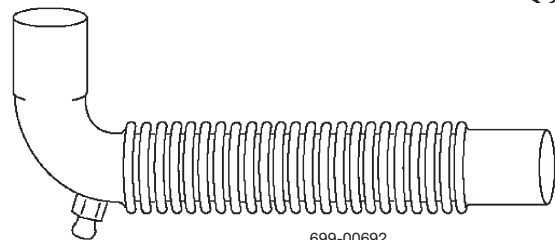
Compatibility

HGJBB

KY



699-01157



699-00692

Custom Tailpipes

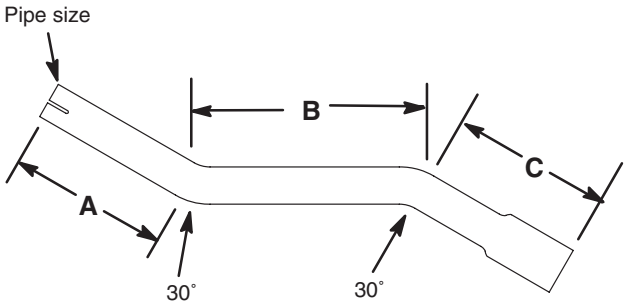
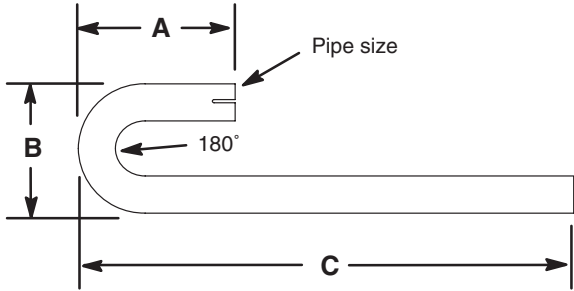
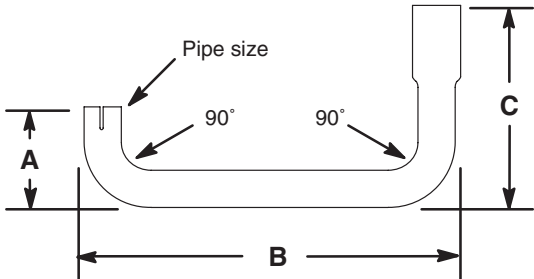
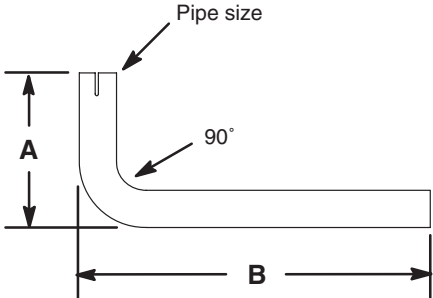
18 Gauge Aluminized Custom Tailpipes

Procedure

Please provide a drawing of the desired tailpipe with your order. Include pipe size (O.D. & I.D.), clearly note bend angle at each bend, and list straight segment lengths.

Copy this page, complete the following table, and highlight the desired example (or provide your own drawing) if necessary.

Segment	Length (6 inch minimum)
A	=
B	=
C	=
D	=



Exhaust System Accessories

Hangers

034-00033*

Hanger Bracket – 5 Inch

0155-2174

Hanger Bracket – 6-1/2 Inch

034-00014

Hanger Bracket – 6-1/2 Inch

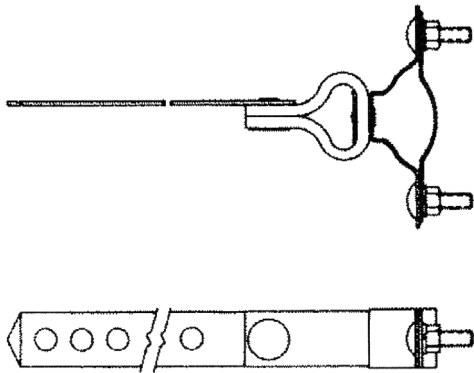
034-00015

Hanger Bracket – 10-1/2 Inch

Description

Fits 1-1/2 inch O.D. exhaust pipes unless otherwise noted. Flexible bracket segment speeds installation and reduces rigid tailpipe stresses.

*Fits 1-1/4 inch O.D. exhaust pipe.



0155-2174

Clamps

034-00003

Clamp – 1-1/8 Inch

0155-1256

Clamp – 1-1/4 Inch

034-00002

Clamp – 1-1/4 Inch

0155-1257

Clamp – 1-3/8 Inch

034-00005

Clamp – 1-3/8 Inch

0155-1015

Clamp – 1-1/2 Inch

034-00001

Clamp – 1-1/2 Inch

0155-1239

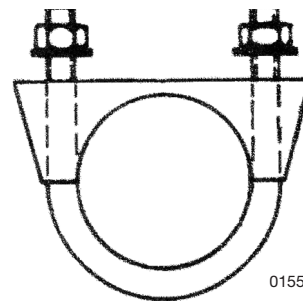
Clamp – 1-5/8 Inch

034-00006

Clamp – 1-5/8 Inch

Description

Cummins Onan drawings and descriptions specify “to fit a specific diameter” which is the O.D. (outside diameter) of the tubing. For reference, the I.D. (internal diameter) of the tubing is 1/8 inch smaller (1/16 inch wall thickness tubing standard).



0155-1015 to 0155-1257

Part Number Index

Part number	Description	Page
018-01052	EC-30 Amp Connector	36
018-01074	EC-30 Amp Connector Socket	36
018-02020	Cummins Onan Energy Command EC-20	34
018-02030	Cummins Onan Energy Command EC-30	34
018-03000	Cummins Onan Wireless Energy Command EC-30W	34
026-00095	Generator Mounting Tray	7
026-00129	Air Dam	23
026-00149	Side Stringer with Weld Nuts	13
026-00151	Underfloor Mounting Kit w/Door	15
026-00156	Compartment Mount Template – Metal	12
026-00163	Side Stringer	13
026-00279	Towable Tray	14
026-00285	External Door	13
026-00292	Standard Compartment Door	16
026-00293	Flush Mount Compartment Door	16
026-00294	Outer Mount Compartment Door	16
026-00314	Slide Tray Kit	23
026-00315	Slide Tray Kit	23
026-00342	3" Black Riser	8
026-00344	Exhaust Shield	44
026-00364	Small QD Side Slide Tray	22
026-00374	Discharge Wrap - 4" Black	17
026-00375	Discharge Wrap - 4" White	17
026-00376	Discharge Wrap - 6" Black	17
026-00377	Discharge Wrap - 6" White	17
026-00380	Riser Kit	13
026-00430	Slide Stringers	22
026-00494	Air Discharge Vane Kit- Rear	18
026-00495	Air Discharge Vane Kit- Side	18
028-00019	Switch & Analog Meter w/ Fuel Gauge	30
028-00022	Switch & Hourmeter Panel - LCD	28
028-00023	Switch & LCD Hourmeter Panel	28
028-00031	LCD Hourmeter	29
030-00007	Downtube Kit – 2-3/4 Inch	25
030-00009	Downtube Kit With Gasket – 2-3/4 Inch	25
030-00011	Downtube Kit – 2-3/4 Inch	25
030-00019	Downtube	24
030-00032	Exhaust Elbow 90° – 6 inch	24
030-00034	Exhaust Elbow 90° – 7 Inch	24
030-00035	Exhaust Elbow 90° – 7 Inch	24

Part Number Index

Part number	Description	Page
030-00039	Downtube	19
030-00095	Exhaust Elbow w/ Flange	6
030-00096	Exhaust Downtube w/ Flange.....	6
030-00097	Exhaust Downtube w/ Flange.....	20, 25
031-00064	Tailpipe Kit – 18-1/2 Inch	9
031-00080	Tailpipe Kit – 25-1/2 Inch	10
031-00300	Straight Tailpipe Kit	5
032-00061	Transfer Switch – 30 Amp	37
032-00093	Transfer Switch - 50 Amp	37
034-00001	Clamp – 1-1/2 Inch.....	46
034-00002	Clamp – 1-1/4 Inch.....	46
034-00003	Clamp – 1-1/8 Inch.....	46
034-00005	Clamp – 1-3/8 Inch.....	46
034-00006	Clamp – 1-5/8 Inch.....	46
034-00014	Hanger Bracket – 6-1/2 Inch	46
034-00015	Hanger Bracket – 10-1/2 Inch	46
034-00033	Hanger Bracket – 5 Inch	46
038-00023	LPG High Pressure Line - #8 x 108 in.	40
038-00034	LPG High Pressure Line - #8 x 48 in.	40
038-00066	LPG High Pressure Line - #12 x 108 in.	39
038-00077	LPG High Pressure Line - #6 x 48 in.	39
038-00078	LPG Low Pressure Line - 48 in.....	39
038-00079	LPG Low Pressure Line - 48 in.....	39
038-00084	LPG High Pressure Line - #12 x 72 in.	40
038-00201	Sprinter Fuel Return Line Kit.	26
038-00202	Sprinter Fuel Return Line Kit.	26
040-00044	Flare Fitting.....	40
040-00048	Straight Flare Fitting.....	40
040-00050	Branch Tee.....	41
040-00051	Run Tee.....	41
040-00063	Branch Tee.....	41
040-00123	Straight Flare Fitting.....	40
042-00006	Conduit w/2 Connectors- 38 inches.	37
042-00050	Conduit w/2 Connectors- 38 inches.	36
042-00053	Non-Metallic Conduit- 38 inches.	36
042-00079	Metallic Conduit - 60 inches.	36
044-00003	Remote Panel Harness – 10 Foot.....	33
044-00026	Remote Panel Harness – 25 Foot.....	33
044-00041	Remote Panel Harness – 40 Foot.....	33
044-00050	Gas Remote Wire Harness.....	31
044-00055	Remote Panel Harness – 12 Foot.....	33
044-00057	Remote Panel Harness – 15 Foot.....	33
044-00062	Remote Panel Harness – 25 Foot.....	33
044-00063	Remote Panel Harness – 40 Foot.....	33

Part number	Description	Page
044-00070	Remote Panel Harness - 12 Foot	33
044-00071	Remote Panel Harness – 50 Foot	33
044-00072	Remote Panel Harness – 50 Foot	33
044-00075	EC-30 Wiring Harness	34
044-00076	EC-30 Wiring Harness	35
044-00077	EC-30 18” Pigtail	35
044-00080	Diesel Y Harness	31
044-00087	EC-30W Gas Y Harness	35
044-00088	EC-30W Diesel Y Harness	35
044-00137	RV QD 3200 Control Harness	31
044-00160	EC-30W Interior Harness	35
046-00259	Tailpipe - 1-1/2 inch O.D.	43
046-00402	Tailpipe – 1-1/4 Inch O.D.	43
046-00489	Tailpipe – 1-1/4 Inch O.D.	43
046-00533	Tailpipe – 1-1/2 Inch O.D.	43
046-00631	Chrome Tailpipe Extension	21, 24
046-00705	Tailpipe – 1-1/2 Inch O.D.	43
046-00722	Tailpipe – 1-1/2 Inch O.D.	43
046-00781	Tailpipe – 1-1/2 Inch O.D.	43
046-00787	Tailpipe – 1-1/2 Inch O.D.	43
046-00794	Tailpipe – 1-1/2 Inch O.D.	43
046-00809	Tailpipe – 1-1/4 Inch O.D.	43
046-00816	Tailpipe – 1-1/4 Inch O.D.	43
046-00821	Tailpipe – 1-1/4 Inch O.D.	43
048-00023	Battery Cable – 10 Foot	38
048-00037	Raw Battery Cable (by the foot)	38
048-00038	Battery Cable – 20 Foot	38
048-00047	Battery Cable – 2 Foot	38
048-00049	Battery Cable – 2-1/2 Foot	38
048-00051	Battery Cable – 3 Foot	38
048-00053	Battery Cable – 4 Foot	38
050-00012	Heavy Duty Slide Rail Set	22
0149-2573	Fuel Filter/ Water Separator Kit	26
0155-1015	Clamp – 1-1/2 Inch	46
0155-1239	Clamp – 1-5/8 Inch	46
0155-1256	Clamp – 1-1/4 Inch	46
0155-1257	Clamp – 1-3/8 Inch	46
0155-2174	Hanger Bracket – 6-1/2 Inch	46
0155-2325	Aluminized Steel Tailpipe Kit	5
0155-2424	Downtube – 7 Inch	25
0155-2449	Exhaust Resonator	6, 11
0155-2610	Downtube – 3 Inch	25
0155-2845	Tailpipe Kit – 22 Inch	9
0155-2847	Elbow Adapter Kit	10

Part Number Index

Part number	Description	Page
0155-2850	Exhaust Tube	11
0155-3481-01	Tailpipe Kit – 22 Inch	19
0155-3481-02	Tailpipe Kit – 26 Inch	19
0300-4942	Switch Panel	27
0300-4943	Switch & Analog Hourmeter Panel	28
0300-4944	Switch & Voltmeter Panel	29
0300-4946	Gasoline – Pigtail to Generator	32
0300-4947	Diesel – Pigtail to Generator	32
0300-5027	Remote Gauge Panel	30
0300-5331	Switch Panel	27
0300-5332	Switch & Hourmeter Panel- Analog	28
0300-5333	Switch & Voltmeter Panel	29
0320-1572	Circuit Breaker Kit- 30 Amp	20
0338-3489-01	Remote Panel Harness – 10 Foot	33
0338-3489-02	Remote Panel Harness – 30 Foot	33
0338-3490-01	Remote Panel Harness – 10 Foot	33
0338-3490-02	Remote Panel Harness – 30 Foot	33
0338-3513	New Generator Adapter Harness	32
0338-3514	New Remote Panel Adapter Harness	32
0338-3572	Gasoline – Pigtail to Control Panel	32
0338-3573	Diesel – Pigtail to Control Panel	32
0403-3630	Generator Mounting Tray	7
0405-6699	Underfloor Mounting Kit	12
0539-1535-01	Underfloor Mount Template	7
0539-1546-01	Compartment Mount Template	7
0539-1810	Floor Template	22
0539-2057	Compartment Mount Template paper	12
0539-4844	Floor Template	22
0541-1002	EFI Fuel Pump Kit	21
699-00589	Switch Panel	27
699-00683	Regulator – 2 Stage w/Vent at 9 o'clock	41
699-00692	Flex Tube w/90° Bend & Drain	44
699-00988	Round Hourmeter Kit	29
699-00986	Round Hourmeter	29
699-01001	Start/Stop Switch	30
699-01048	Single Stage Regulator w/Vent at 6 o'clock	42
699-01049	Regulator – 2 Stage w/Vent at 6 o'clock	41
699-01082	Compartment Slide Rail Set	15
699-01154	Flex Tube w/90° Bend – 8 Inch	44
699-01156	Flex Tube w/90° Bend – 16 Inch	44
699-01157	Flex Tube w/90° Bend – 24 Inch	44
A026E082	Exhaust Elbow 90° - 6 Inch	24
A026E097	Exhaust Elbow 90°	20
A026E098	Exhaust Elbow 90° - 7 Inch	24

A Part number	Description	Page
030X652	Underfloor Mounting Kit	7
A041H694	Exhaust Elbow w/ Flange	6
A041L816	Exhaust Downtube w/ Flange.....	6
A042W103	Underfloor Mounting Kit	4
A043F935	Retro Adapter from KV.....	4
A043N434	Compartment Mount Template.....	4
A043N581	Underfloor Mount Template	4
A046F728	Straight Tailpipe Kit	5

Cummins Onan



Cummins Power Generation
1400 73rd Ave. NE
Minneapolis, MN 55432
USA

Phone 1 763 574 5000

Toll-free 1 800 888 6626

Fax 1 763 574 5298

Email ask.powergen@cummins.com
power.cummins.com

Photo of Class A RV on front cover courtesy of GoRVing.com

©2014 Cummins Power Generation. All rights reserved. Cummins, Onan and the "C" logo are registered trademarks of Cummins Inc.

Bulletin 5544330 F-0832E 4.14