

# ONAN GENERATOR ACCESSORIES



---

# CONTENTS

<b>ONAN GENERATORS</b> .....	<b>3</b>
<b>INSTALLATION TEMPLATES</b> .....	<b>3</b>
<b>MOUNTING AND AIR FLOW KITS</b> .....	<b>4</b>
HGJBB .....	4
KY .....	4
Mounting tray .....	5
HGJAx .....	5
HDKCx .....	16
<b>FUEL SYSTEM KITS</b> .....	<b>18</b>
<b>ELECTRICAL SYSTEM ACCESSORIES</b> .....	<b>20</b>
Control Panels, Gauges and Displays .....	20
Remote Panel Harnesses .....	24
Energy Command Controls and Harnesses .....	28
Electrical Kits .....	29
AC Conduits & Junction Box Kits .....	30
AC Transfer Switches .....	31
Battery Cables—#2 AWG .....	31
<b>LP FUEL SYSTEM ACCESSORIES</b> .....	<b>32</b>
LP Fuel Lines .....	32
LP Brass Fittings .....	32
Pressure Regulators .....	32
<b>TAILPIPE &amp; EXHAUST KITS</b> .....	<b>33</b>
<b>PROTEC PTO ACCESSORIES</b> .....	<b>40</b>
<b>HYDRAULIC GENERATOR ACCESSORIES</b> .....	<b>40</b>
<b>FAN CONVERSION KITS</b> .....	<b>42</b>
<b>COOLANT OVERFLOW RECOVERY</b> .....	<b>43</b>

# ONAN GENERATORS

In some sections the models are grouped together for the product family.

- HGJAx** = HGJAA, HGJAB, HGJAD, HGJAE
- HDKBx** = HDKBB, HDKBC
- HDKAx** = HDKAH, HKDAK, HDKAT, HDKAU, HDKAV
- HDKCx** = HDKCA, HDKCB, HDKCC, HDKCD

## INSTALLATION TEMPLATES

Dealers to contact their local Cummins Sales and Service to order templates.

### *Compartment Mount Template*

#### **DESCRIPTION**

A paper guide for making the mounting and cooling holes required to properly install generator.

### *Underfloor Mount Template*

#### **DESCRIPTION**

A paper guide for making the mounting holes required to properly install generator.

MODEL	COMPARTMENT MOUNT TEMPLATE	UNDERFLOOR MOUNT TEMPLATE
HGJBB	A043N434	A043N581
KY	0539-1546-01	0539-1535-01
HGJAx	0539-2057	NA
HDKBx	0539-2152	NA
HDKAx	0539-1810	NA
HDKCx	0539-4844	NA
HDKAL	0539-1962	NA

# MOUNTING AND AIR FLOW KITS

## A042W103

### Underfloor Mounting Kit

#### DESCRIPTION

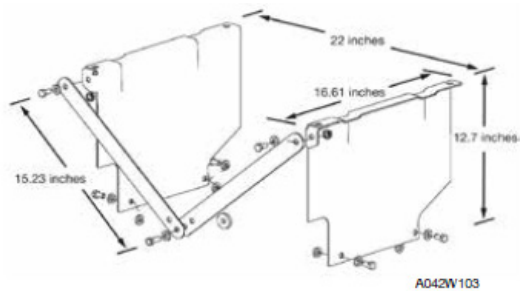
Hard mount kit for underfloor installations.

#### INSTRUCTION SHEET

A043F758

#### COMPATIBILITY

HGJBB



## 026-00532

### Underfloor Mounting Kit with Secondary Isolation

#### DESCRIPTION

Double isolation kit for underfloor installations.

#### BENEFITS

Reduces the transmitted vibration to the vehicle.

#### COMPATIBILITY

HGJBB



## A043F935

### Retro Adaptor from KV

#### DESCRIPTION

Allows HGJBB to be installed with KV underfloor mounting kit (0403-2689/026-00123, sold separately).

#### INSTALLATION NOTES

Designed when replacing a KV that was mounted with the 0403-2689/026-00123 mounting kit.

#### COMPATIBILITY

HGJBB



## A030X652

### Underfloor Mounting Kit

#### DESCRIPTION

Underfloor Mounting Kit with Secondary Isolation

#### BENEFITS

Reduces the transmitted vibration to the vehicle.

#### KIT INCLUDES

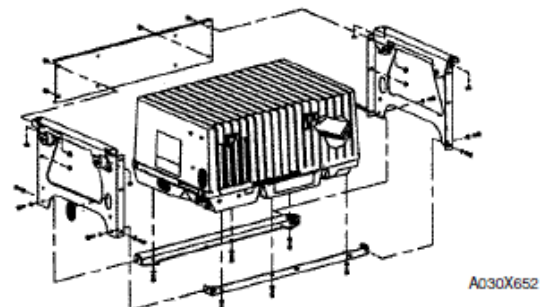
Brackets and hardware.

#### INSTRUCTION SHEET

G187

#### COMPATIBILITY

KY



## 026-00095

### Underfloor Base Tray

#### DESCRIPTION

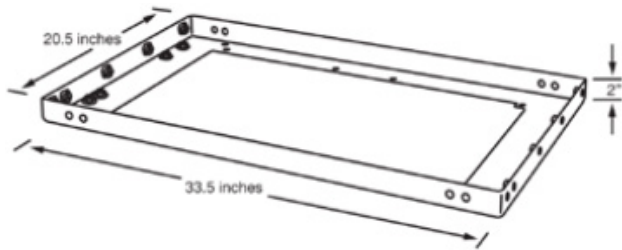
This tray is designed to adapt the KY series genset to the bolt pattern of the sides of the HGJAx generator.

#### INSTRUCTION SHEET

G208

#### COMPATIBILITY

KY



026-00095/  
0403-3630

## 026-00211

### Riser Tray—4 Inch

#### DESCRIPTION

This tray is designed to divert hot discharge cooling air in front of the frame rail on towable installations and provide bottom clearance to access oil drain plug.

#### COMPATIBILITY

KY



## 026-00342

### 3 Inch Black Riser

#### DESCRIPTION

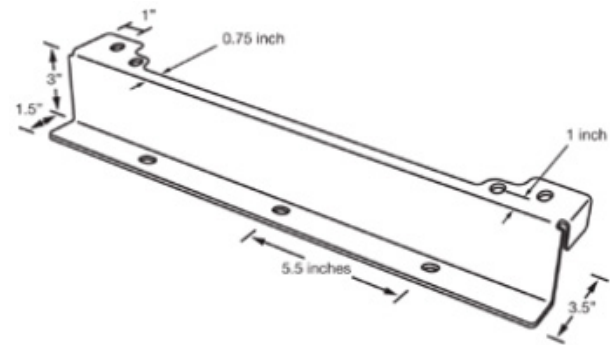
3 inch Black Riser is used for providing 3" of clearance below the generator when mounted in a compartment.

#### INSTALLATION NOTE

Will likely require additional ducting of hot cooling air out of the compartment.

#### COMPATIBILITY

KY



026-00342

## MOUNTING TRAY

## 026-00474

### Underfloor Mounting Tray

#### DESCRIPTION

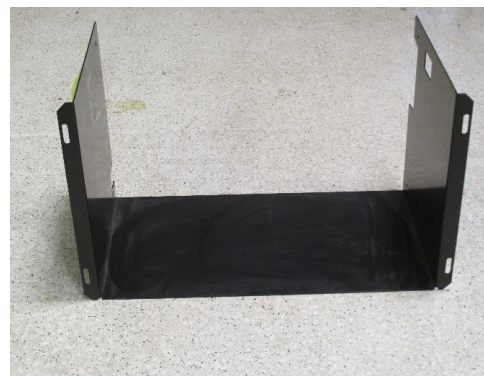
For underfloor applications only.

#### INCLUDES

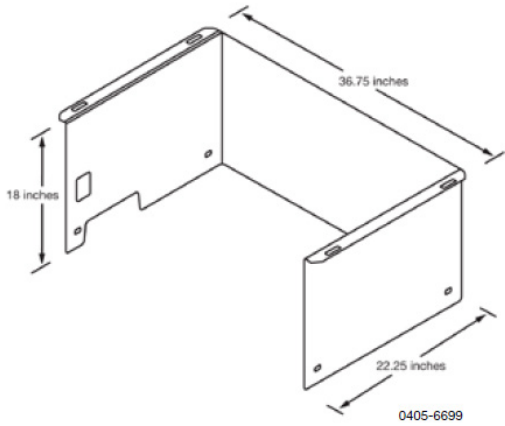
Generator tray, powder-coated black

#### COMPATIBILITY

HGJAx



026-00474



**026-00285**  
*External Door*

**DESCRIPTION**

External door measuring 36.5" x 22.75" with a lower vent to provide an area for air intake when using discharge riser with wraps and discharging air through the floor.

**COMPATIBILITY**

HGJAx



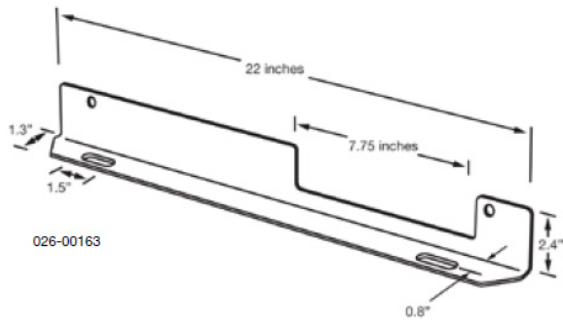
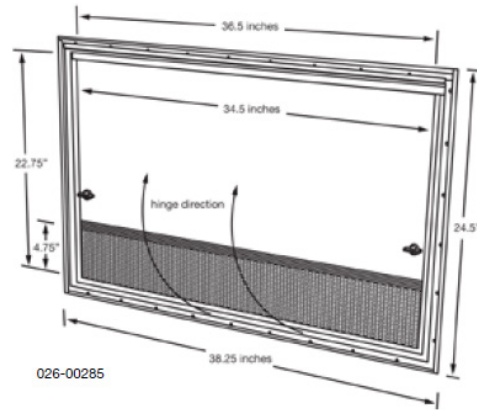
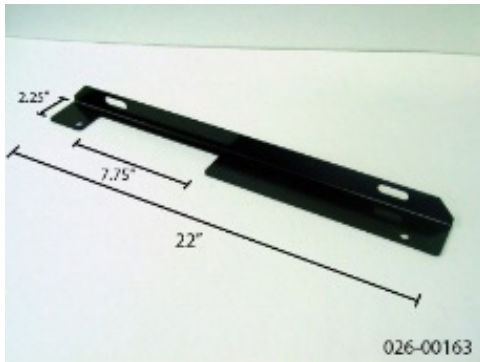
**026-00163**  
*Side Stringer*

**DESCRIPTION**

Side stringer for mounting to a set of slides to a generator installation. These are sold individually but you need two to install the generator with slides.

**COMPATIBILITY**

HGJAx



**026-00380**  
*Riser Kit*

**DESCRIPTION**

Riser and installation tray measures 34.25" long, 22" deep and 6" tall. This provides the height required for clearance for a floor or compartment mount. Powder coat black.

**COMPATIBILITY**

HGJAx



**026-00169**

*Compartment Kit w/ Standard Door*

**DESCRIPTION**

Compartment box for applications requiring a sealed location.

**BENEFITS**

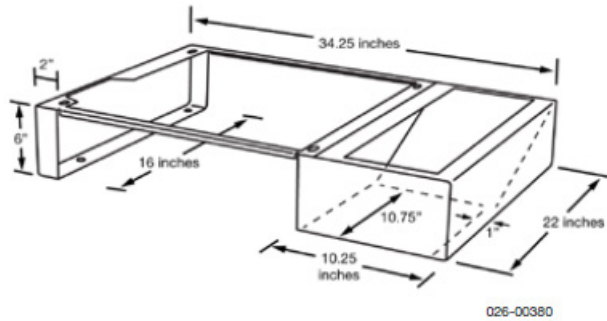
Allows for fresh air to be drawn from the front of the compartment.

**KIT INCLUDES**

Compartment (ref. 026-00157), Door (ref. 026-00292), discharge wrap (ref. 026-00375) and two risers (ref. 026-00167). Powder-coat white

**COMPATIBILITY**

HGJAx



**026-00279**

*Towable Tray*

**DESCRIPTION**

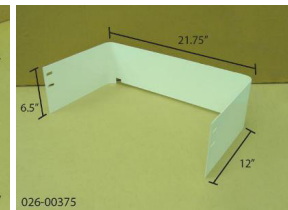
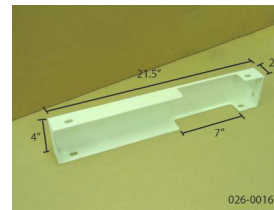
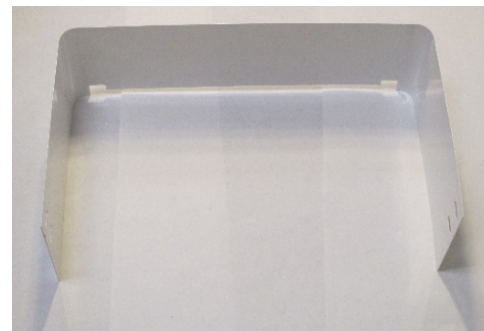
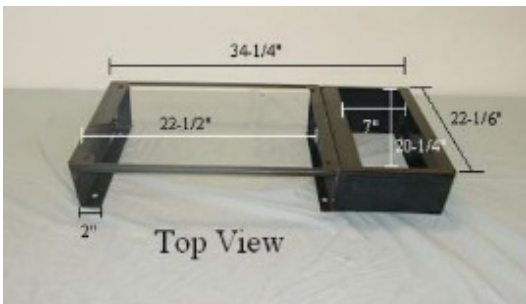
Allows installation of generator in compartments that do not have enough depth while maintaining proper air flow. This has an angle on the front to match up with fifth wheels.

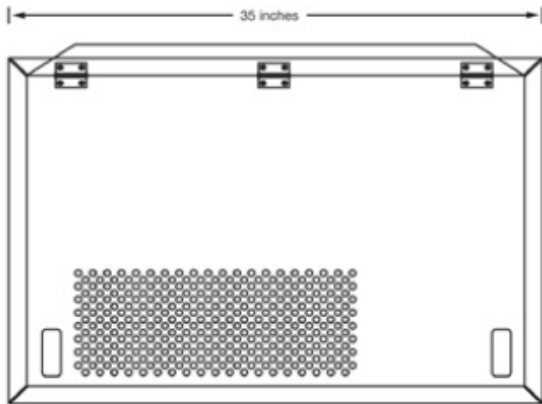
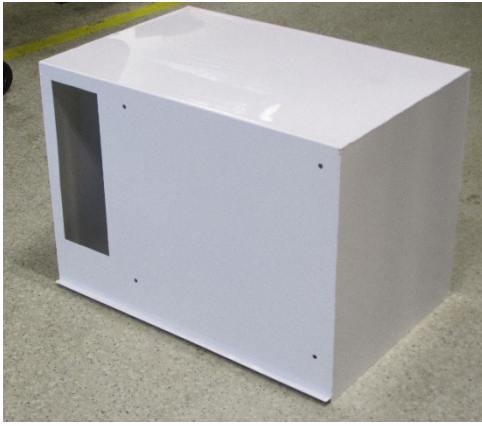
**BENEFITS**

Separates the intake and exhaust cooling air. Powder-coat black

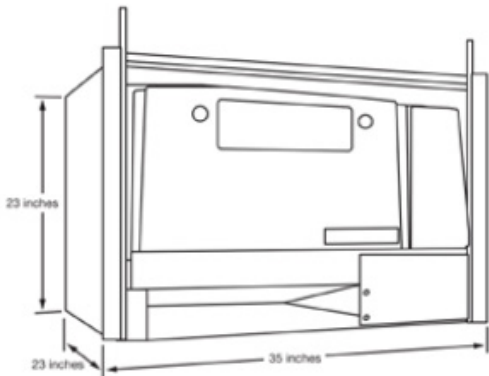
**COMPATIBILITY**

HGJAx





026-00169



**026-00191**

*Compartment Kit w/ Flush Door*

**DESCRIPTION**

Compartment box for applications requiring a sealed location.

**BENEFITS**

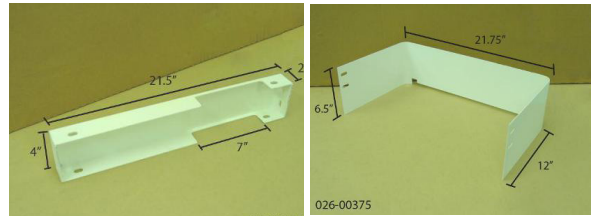
Allows for fresh air to be drawn from the front of the compartment.

**KIT INCLUDES**

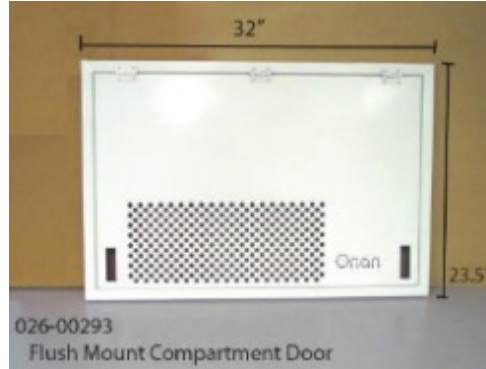
Compartment (ref. 026-00157), Door (ref. 026-00293), discharge wrap (ref. 026-00375) and two risers (ref. 026-00167). Powder-coat white

**COMPATIBILITY**

HGJAx



026-00375



026-00293

Flush Mount Compartment Door

**026-00192**

*Compartment Kit w/Outer Door*

**DESCRIPTION**

Compartment box for applications requiring a sealed location.

**BENEFITS**

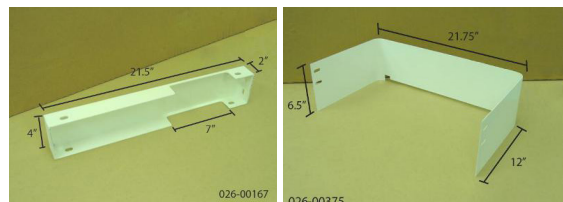
Allows for fresh air to be drawn from the front of the compartment.

**KIT INCLUDES**

Compartment (ref. 026-00157), Door (ref. 026-00294), discharge wrap (ref. 026-00375) and two risers (ref. 026-00167). Powder-coat white

**COMPATIBILITY**

HGJAx



026-00167

026-00375



**026-00165**  
*Underfloor Mounting Kit*

**DESCRIPTION**

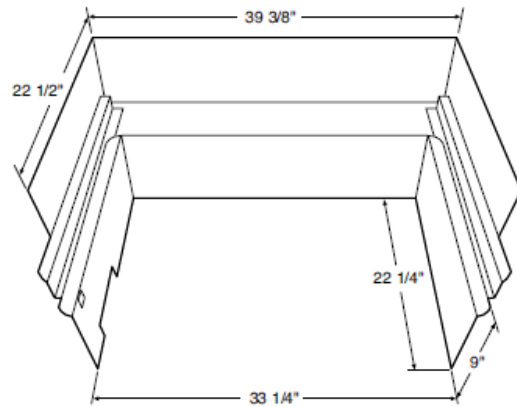
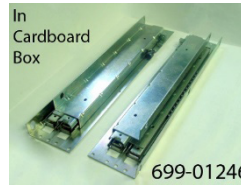
Underfloor kit that allows generator to slide out 22 inches for easy access.

**KIT INCLUDES**

Upper Tray (ref. 026-00117), Lower Tray (ref. 026-00138), Slide Rail Set (ref. 699-01082) and hardware. Powder-coat black

**COMPATIBILITY**

HGJAx



026-00151

**026-00151**  
*Underfloor Mounting Kit w/ Door*

**DESCRIPTION**

Underfloor kit that allows generator to slide out 22 inches for easy access.

**KIT INCLUDES**

Upper Tray (ref. 026-00117), Lower Tray (ref. 026-00138), Slide Rail Set (ref. 699-01082), a 17-1/4" x 41-1/4" white Door (ref. 699-01074) and hardware. Powder-coat black trays, door painted white

**COMPATIBILITY**

HGJAx

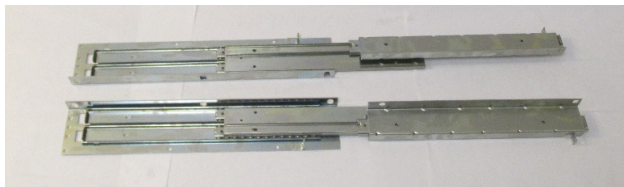
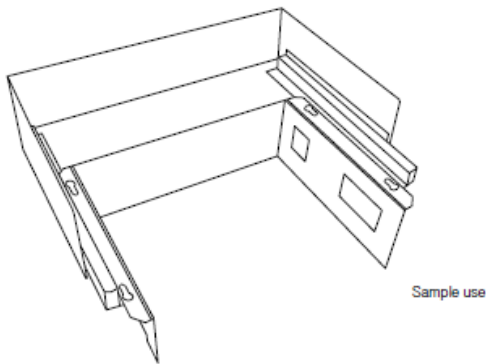
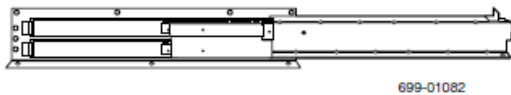
**699-01082**  
*Compartment Slide Rail Set*

**DESCRIPTION**

Used with underfloor mounting kits (ref. 026-00165 and 026-00151, sold separately). Each slide rail assembly measures 22" x 4-1/2" with a 22" travel (extension). Maximum load capacity is 500 lbs closed and 350 lbs at full extension. Used with part # 026-00163 side stringer.

**COMPATIBILITY**

HGJAx



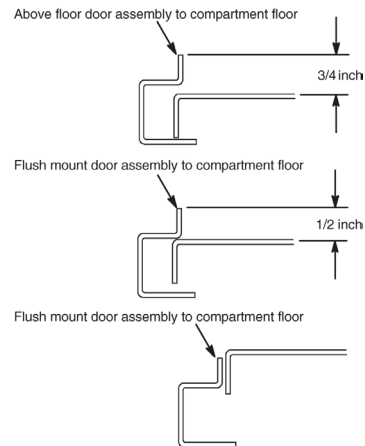
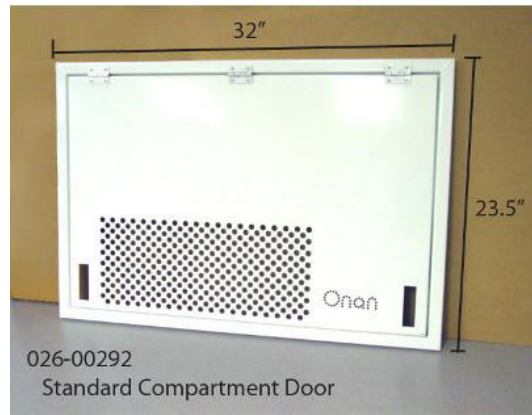
**026-00292**  
*Standard Compartment Door*

**DESCRIPTION**

Exterior compartment door that can be used with our compartment or in a separate application. Powder-coat white

**COMPATIBILITY**

HGJAx



**026-00293**  
*Flush Mount Compartment Door*

**DESCRIPTION**

Exterior compartment door that can be used with our compartment or in a separate application. Powder-coat white

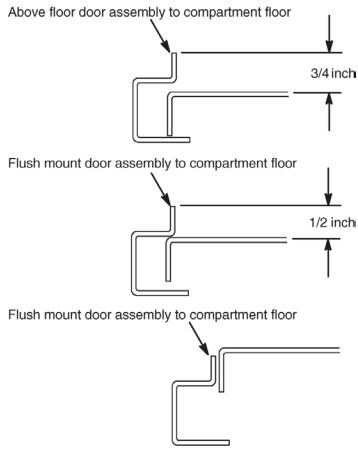
**INSTALLATION**

Intended for box truck installation

**COMPATIBILITY**

HGJAx





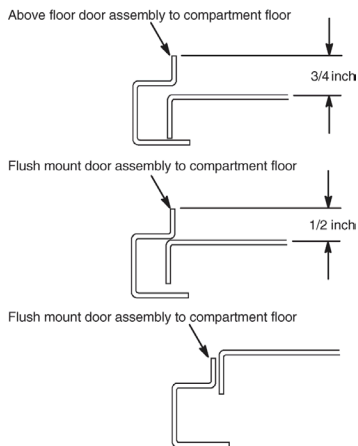
**026-00294**  
*Outer Mount Compartment Door*

**DESCRIPTION**

Exterior compartment door that can be used with our compartment or in a separate application. Powder-coat white

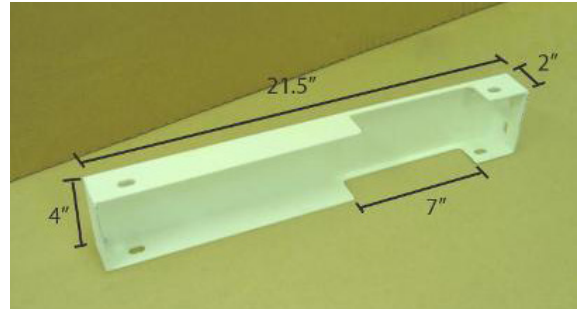
**INSTALLATION**

For installation on side of vehicle when you want to be able to remove the generator without disturbing the door frame.



**COMPATIBILITY**  
HGJAx699-01074

**026-00167**  
*4 inch White Riser*



**026-00164**  
*4 inch Black Riser*



**DESCRIPTION**

Riser for installation that require additional height of 4-inches. Not intended to be used for installations used to pull air through the door. Available in Powder-coat white or black

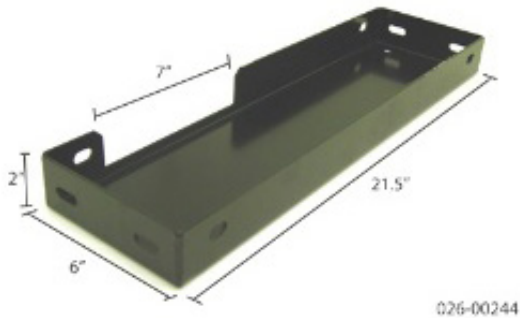
**INSTALLATION**

Two risers required per installation.

**026-00193**  
*6 inch White Riser*



**026-00244**  
6 inch Black Riser



**DESCRIPTION**

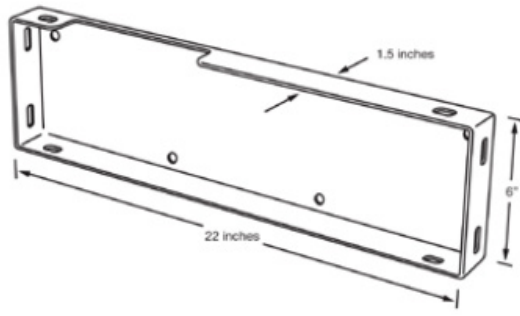
Riser for installation that require additional height to meet the 6-inch unobstructed air flow requirements, or when the installation will bring cooling air in the front of the door. Available in Powder-coat white or black.

**INSTALLATION**

Two risers required per installation.

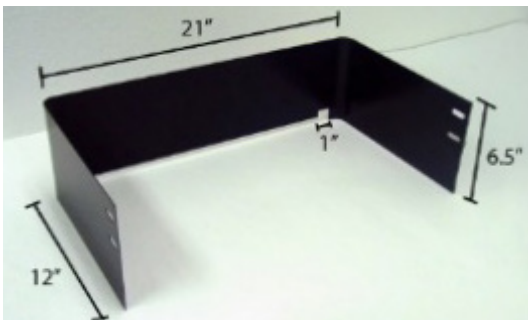
**COMPATIBILITY**

HGJAx

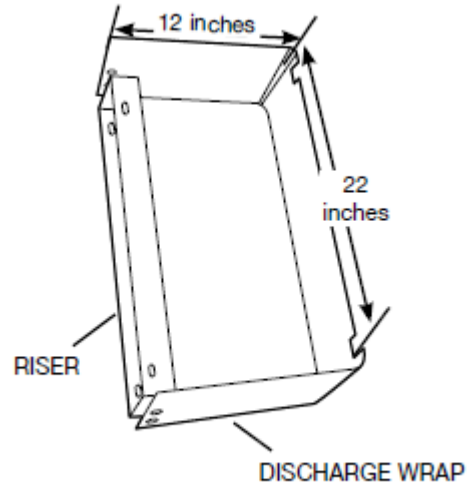


026-00193 White  
026-00244 Black

**026-00374**  
4 inch Black Discharge Wrap

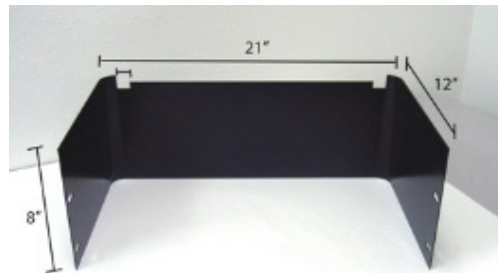


**026-00375**  
4 inch White Discharge Wrap



026-00375

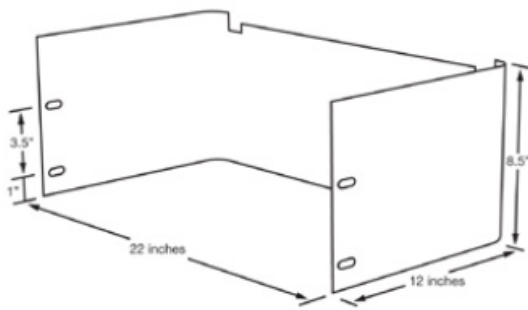
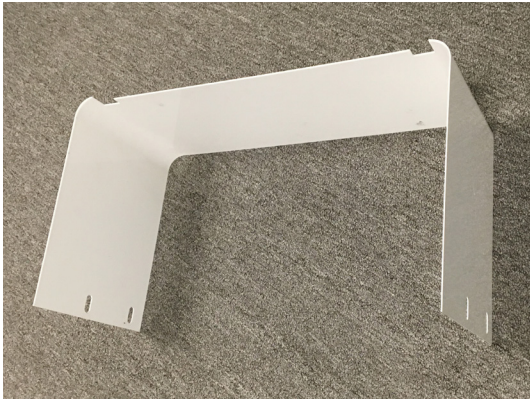
**026-00376**  
6 inch Black Discharge Wrap



026-00376

**026-00377**

*6 inch White Discharge Wrap*



026-00377

**BENEFITS**

Wraps around generator base to discharge air through the floor.

**INSTALLATION**

Used when all or part of the generator air flow (intake and exhaust) is blocked or does not meet 12-inch ground clearance requirement. Six inches of unobstructed air flow is required for proper generator operation when installation will bring cooling air through the front of a door.

**COMPATIBILITY**

HGJAx

**026-00201**

*Front/Rear Exit Duct Kit*

**DESCRIPTION**

Allows generator to be mounted in a compartment with the intake air flowing through the door or floor and exhaust air flowing through the compartment door

**KIT INCLUDES**

White lower discharge bracket (ref. 026-00194), two 6 inch white risers (026-00193), white discharge

deflector (ref. 026-00195), exhaust port cover (ref. 026-00198) and hardware.

**COMPATIBILITY**

HGJAx



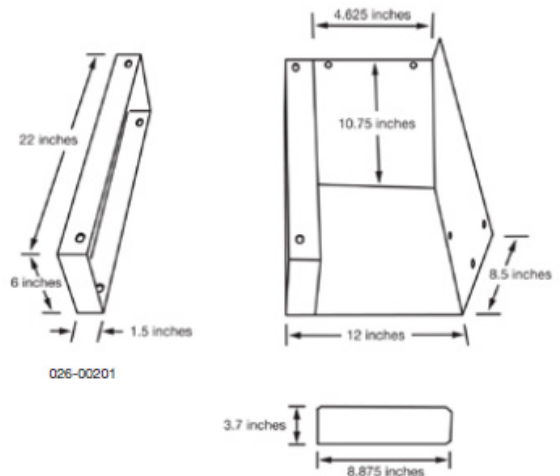
026-00193



026-00194



026-00195



026-00201

## 026-00531

### *Air Discharge Duct—Rear*

#### **DESCRIPTION**

Ducts cooling air to the rear of the generator.

#### **KIT INCLUDES**

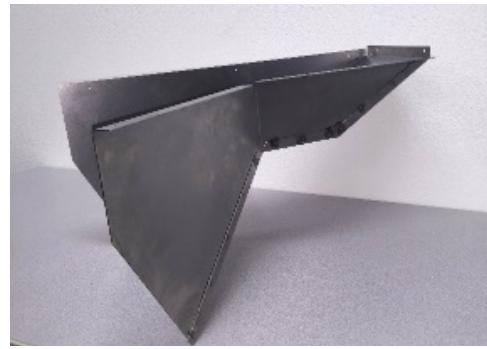
Air discharge duct and mounting hardware.

#### **INSTALLATION NOTES**

Designed to discharge air towards the rear of the generator. Works best on curb side installations where the cooling air outlet is in front of the inlet causing recirculation when the vehicle is in motion.

#### **COMPATIBILITY**

HGJAx



## 026-00522

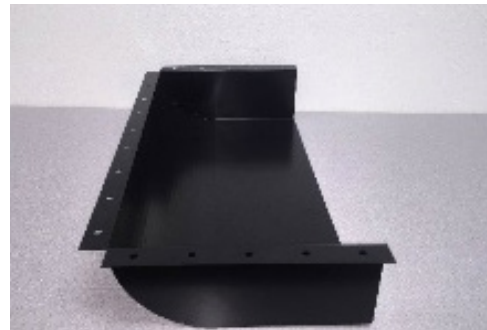
### *Air Discharge Duct—Right*

#### **DESCRIPTION**

Ducts cooling air to the right of the generator.

#### **COMPATIBILITY**

HGJAx



## 026-00534

### *Air Discharge Duct—Rear*

#### **DESCRIPTION**

Ducts cooling air to the rear of the generator. Similar to 026-00531 but has a wider opening in the instance that there is an obstruction behind the generator.

#### **KIT INCLUDES**

Air discharge duct

#### **INSTALLATION NOTES**

Designed for curb side installations where the cooling air outlet is in front of the inlet causing recirculation when the vehicle is in motion.

#### **COMPATIBILITY**

HGJAx

## 026-00535

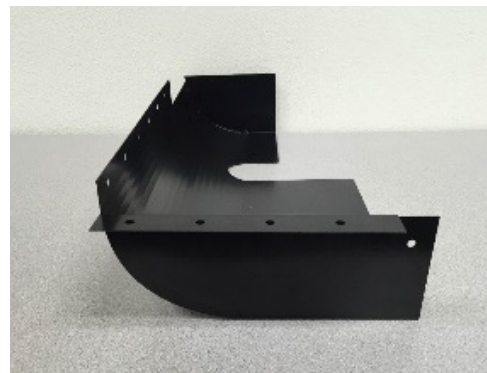
### *Air Discharge Duct—Right*

#### **DESCRIPTION**

Ducts cooling air to the right of the generator with cutout for exhaust pipe.

#### **COMPATIBILITY**

HGJAx



**026-00494**

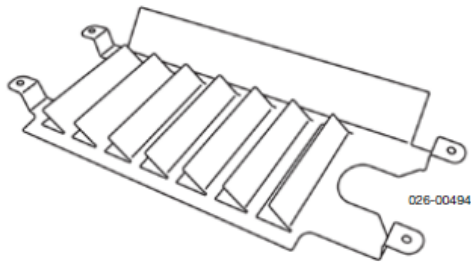
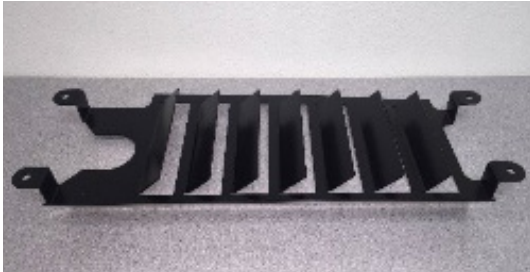
*Air Discharge Vane- Rear*

**DESCRIPTION**

Direct cooling air outlet towards the rear of the generator.

**COMPATIBILITY**

HGJAx



**026-00495**

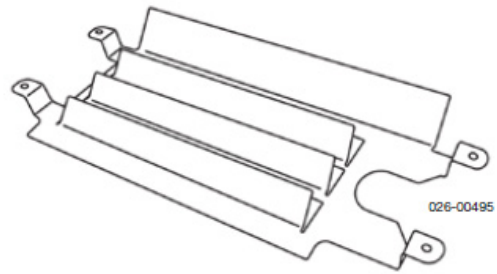
*Air Discharge Vane- Side*

**DESCRIPTION**

Direct cooling air outlet towards the right side of the generator away from the inlet.

**COMPATIBILITY**

HGJAx



**026-00364**

*Side Slide Tray*

**DESCRIPTION**

Side slide to allow side installations to slide out for easy access.

**INSTALLATION NOTES**

Can be used with or without slide rail set. Tray provides 17-3/4 inches of travel when used with heavy duty slide rail set (ref. 050-00012, sold separately).

**COMPATIBILITY**

HDKAx



**026-00430**

*Slide Stringers*

**DESCRIPTION**

Used to mount slide rails (050-00012 (sold separately) to floor This allows generator to slide out of a side mount application. Must purchase 2 per install.

**COMPATIBILITY**

HDKAx



## 050-00012

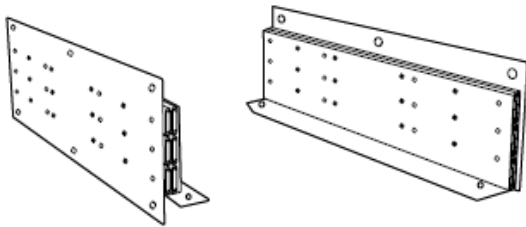
### Heavy Duty Slide Rail Set

#### DESCRIPTION

Each slide assembly measure 22 inches x 7 inches with a 23 inch travel (extension). Maximum load capacity is 816 lbs at full extension. Can be used with narrow side mount frame (ref. 026-00364, sold separately) and side stringers (ref. 026-00430, sold separately).

#### COMPATIBILITY

HDKAx, HDKCx



050-00012

## 026-00314

### Slide Tray

#### DESCRIPTION

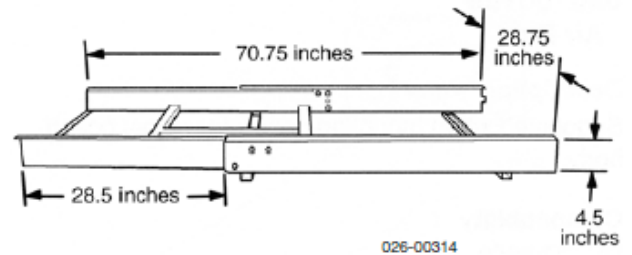
Tray allows generator to be extended (slide out) 28-1/2 inches from mounting tray for easy access. Designed for easy generator removal.

#### INSTALLATION

Commonly used on diesel pusher style coaches with front mount generator.

#### COMPATIBILITY

HDKAx



026-00314

## 026-00315

### Slide Tray

#### DESCRIPTION

Tray allows generator to be extended (slide out) 28-1/2 inches from mounting tray for easy access. Designed for easy generator removal.

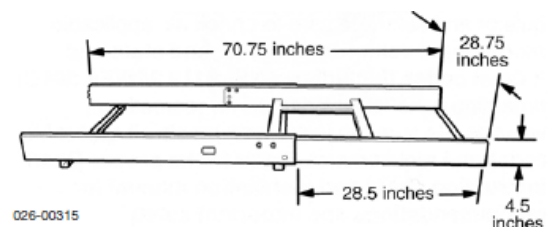


#### INSTALLATION

Commonly used on diesel pusher style coaches with front mount generator.

#### COMPATIBILITY

HDKCx



026-00315



## 026-00129

### *Air Dam*

#### **DESCRIPTION**

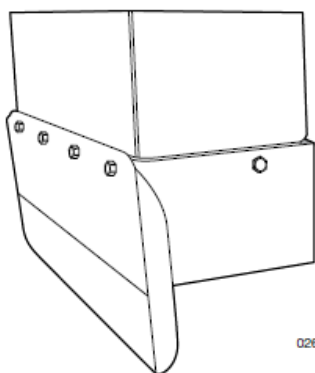
Air Dam to deflect fresh air intake when generator is mounted below vehicle body

#### **INSTALLATION**

Suggested when mounting generator below vehicle body.

#### **COMPATIBILITY**

HDKAx, HDKCx



026-00129

# FUEL SYSTEM KITS

## 0541-1002

### *EFI Fuel Pump Kit*

#### **DESCRIPTION**

EFI fuel pump kit required to be mounted on the chassis when installing EFI generator.

#### **KIT INCLUDES**

EFI fuel pump with rubber isolators and universal mounting bracket, 6 feet of ¼ inch ID suction hose, 15 foot wiring harness, clamps and hardware.

#### **INSTALLATION NOTES**

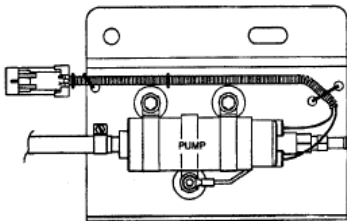
High pressure fuel hose required from pump to generator is not supplied as part of the kit.

#### **INSTRUCTION SHEET**

G591

#### **COMPATIBILITY**

HGJAA, HGJAD



0154-1002

## 0541-0530

### *Fuel Pump Kit*

#### **DESCRIPTION**

For use when the generator is mounted higher than 36 inches from the fuel source.

#### **KIT INCLUDES**

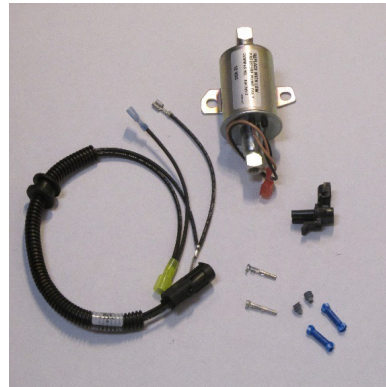
Pump, wiring harness and grommet

#### **INSTRUCTION SHEET**

G300

#### **COMPATIBILITY**

HGJBB, KY, HGJAB, HGJAE, HDKBx, HDKAx, HDKCx, HDKAL, HDKAG



## 0541-0564

### *Fuel Pump Kit*

#### **DESCRIPTION**

For use when the generator is mounted higher than 36 inches from the fuel source.

#### **KIT INCLUDES**

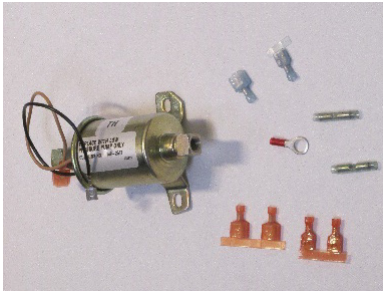
Pump with straight in and out 1/8-27 NPSF fittings and wire connectors.

#### **INSTRUCTION SHEET**

G435

#### **COMPATIBILITY**

HGJBB, KY, HGJAB, HGJAE, HDKBx, HDKAx, HDKCx, HDKAL, HDKAG



**038-00201**

*Sprinter Fuel Return Line Kit*

**DESCRIPTION**

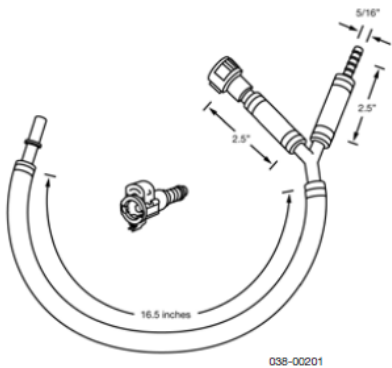
3/8 inch Sprinter Fuel Return Line Kit for routing fuel return for diesel units to the OEM Fuel System, includes 3/8 inch pick up for fuel supply.

**KIT INCLUDES**

Instruction Sheet

**COMPATIBILITY**

HDZAA



038-00201

**0149-2573**

*Fuel Filter / Water Separator Kit*

**DESCRIPTION**

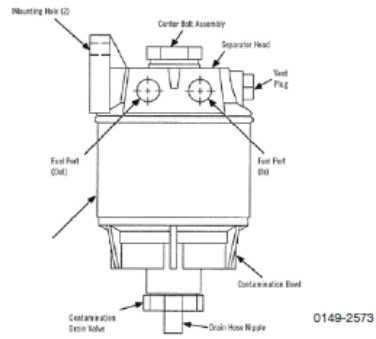
For use with diesel generators on the supply side of the fuel system.

**INSTRUCTION SHEET**

G297

**COMPATIBILITY**

HDKBx, HDKAx, HDKCx, HDKAL, HDKAG



0149-2573

**0541-0531**

*Remote Air Cleaner Kit*

**DESCRIPTION**

For use when access to the set mounted air cleaner is limited.

**INSTRUCTION SHEET**

G299

**COMPATIBILITY**

HDKAT, HDKAU, HDKAV



0300-5331

# ELECTRICAL SYSTEM ACCESSORIES

## CONTROL PANELS, GAUGES AND DISPLAYS

### 0300-5331

*Start/Stop Switch Panel—  
Gasoline & LP Generators*

### 0300-4942

*Start/Stop Switch Panel—  
Quiet Diesel Generators*

### 0300-4939

*Start/Stop Switch Panel—  
Standard Diesel Generators*

### 699-00589

*Start/Stop Switch Panel—Universal*

#### DESCRIPTION

Start/Stop remote panel. Features an illuminated Start/Stop rocker switch and mounting plate.

#### KIT INCLUDES

Panel switch, mounting screws and wiring diagram

#### INSTRUCTION SHEETS

C590 (ref. 0300-5331)

C539 (ref. 0300-4942)

C538 (ref. 0300-4939)

#### COMPATIBILITY

PART NO.	MATES WITH HARNESS	FOR USE WITH MODELS
0300-5331	0338-3489-01 (10 ft)	HGJBB, KY, HGJAx
	0338-3489-02 (30 ft)	
0300-4942	0338-3490-01 (10 ft)	HDKBx, HDKAx, HDKCx
	0338-3490-02 (30 ft)	
0300-4939	0338-3490-01 (10 ft)	HDKAL
	0338-3490-02 (30 ft)	
	0338-2237 (15 ft)	HDKAG
	0338-2238 (25 ft)	
699-00589	044-00003 (10 ft)	HGJBB, KY, HGJAx, HDKBx, HDKAx, HDKCx, HDKAL, HDKAG
	044-00055 (12 ft)	
	044-00026 (25 ft)	
	044-00071 (50 ft)	Gasoline, LP
	044-00050 (60 ft)	Gasoline
	044-00062 (25 ft)	Diesel
	044-00057 (15 ft)	Diesel



0300-5331



0300-4942



0300-4939



699-00589

**0300-5332**

*Start/Stop Switch and Analog Hourmeter Panel—Gasoline & LP Generators*

**028-00022**

*Start/Stop Switch and LCD Hourmeter Panel—Gasoline & LP Generators*

**0300-4943**

*Start/Stop Switch and Analog Hourmeter Panel—Quiet Diesel Generators*

**0300-4940**

*Start/Stop Switch and Analog Hourmeter Panel—Standard Diesel Generators*

**028-00023**

*Start/Stop Switch and LCD Hourmeter Panel—Quiet Diesel Generators*

**DESCRIPTION**

Start/Stop and Hourmeter remote panel. Features an illuminated Start/Stop rocker switch, hourmeter and mounting plate.

**KIT INCLUDES**

Panel assembly, mounting screws and wiring diagram.

**INSTRUCTION SHEETS**

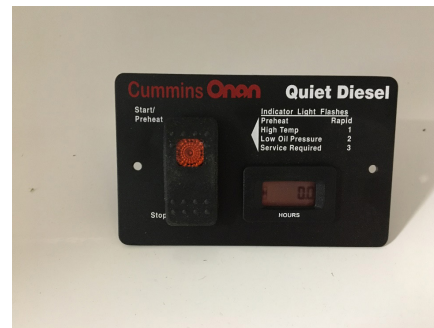
C590 (ref. 0300-5332)

C539 (ref. 0300-4943)

C538 (ref. 0300-4940)

**COMPATIBILITY**

PART NO.	MATES WITH HARNESS	FOR USE WITH MODELS
0300-5332	0338-3489-01 (10 ft)	HGJBB, KY, HGJAx
	0338-3489-02 (30 ft)	
028-00022	044-00055 (12 in)	HGJBB, KY, HGJAx
	044-00026 (25 ft)	
	044-00041 (40 ft)	
	044-00071 (50 ft)	
	044-00050 (60 ft)	
0300-4943	0338-3490-01 (10 ft)	HDKBx, HDKAx, HDKCx
	0338-3490-02 (30 ft)	
0300-4940	0338-3490-01 (10 ft)	HDKAL
	0338-3490-02 (30 ft)	
	0338-2237 (15 ft)	HDKAG
	0338-2238 (25 ft)	
028-00023	044-00010 (12 in)	HDKBx, HDKAx, HDKCx
	044-00057 (15 ft)	
	044-00062 (25 ft)	
	044-00063 (40 ft)	
	044-00072 (50 ft)	



028-00023



0300-5332



028-00022



0300-4943



0300-4940

### 0300-5333

*Start/Stop Switch and DC Voltmeter Panel—Gasoline & LP Generators*

### 0300-4944

*Start/Stop Switch and DC Voltmeter Panel—Quiet Diesel Generators*

### 0300-4941

*Start/Stop Switch and DC Voltmeter Panel—Standard Diesel Generators*

#### DESCRIPTION

Start/Stop and DC Voltmeter remote panel. Features an illuminated Start/Stop rocker switch, DC voltmeter and mounting plate.

#### KIT INCLUDES

Panel assembly, mounting screws and instruction sheet.

#### INSTRUCTION SHEETS

C590 (ref. 0300-5333)

C539 (ref. 0300-4944)

C538 (ref. 0300-4941)

#### COMPATIBILITY

PART NO.	MATES WITH HARNESS	FOR USE WITH MODELS
0300-5333	0338-3489-01 (10 ft)	HGJBB, KY,
	0338-3489-02 (30 ft)	HGJAx
0300-4944	0338-3490-01 (10 ft)	HDKBx, HDKAx,
	0338-3490-02 (30 ft)	HDKCx
0300-4941	0338-3490-01 (10 ft)	HDKAL
	0338-3490-02 (30 ft)	
	0338-2237 (15 ft)	HDKAG
	0338-2238 (25 ft)	



0300-5333



0300-4944



0300-4941

**699-00986**  
*Round Hourmeter*

**699-00988**  
*Round Hourmeter Kit*

**KIT INCLUDES**  
 Hourmeter (ref. 699-00986) and a universal aluminum mounting bracket

**028-00031**  
*LCD Hourmeter*

**COMPATIBILITY**  
 All generators except HDZAA



699-00986



699-00988



028-00031

**0300-5026**  
*Remote Gauge Panel*

**DESCRIPTION**  
 Features an illuminated Start/Stop rocker switch, analog hourmeter, oil pressure gauge, coolant temperature gauge, DC voltmeter and mounting plate.

**KIT INCLUDES**  
 Panel assembly, mounting screws and instruction sheet.

**INSTRUCTION NOTES**  
 When used on a HDKAL, also requires oil pressure sender Part # 193-0244-99 and coolant temperature sender Part # 193-0318 (not included).

**INSTRUCTION SHEET**  
 C546

**COMPATIBILITY**

PART NO.	MATES WITH HARNESS	FOR USE WITH MODELS
0300-5026	0338-3490-01 (10 ft)	HDKAL
	0338-3490-02 (30 ft)	
	0338-2237 (15 ft)	HDKAG
0338-2238 (25 ft)		



0300-5026

**0300-5027**  
*Remote Gauge Panel QD*

**DESCRIPTION**  
 Features an illuminated Start/Stop rocker switch, analog hourmeter, oil pressure gauge, coolant temperature gauge, DC voltmeter and mounting plate.

**KIT INCLUDES**  
 Panel assembly, mounting screws and instruction sheet.

**INSTRUCTION SHEET**  
 C547

**COMPATIBILITY**

PART NO.	MATES WITH HARNESS	FOR USE WITH MODELS
0300-5027	0338-3490-01 (10 ft)	HDKAx
	0338-3490-02 (30 ft)	



0300-5027

**699-01001**  
*Start/Stop Switch*

**DESCRIPTION**

Illuminated Start/Stop rocker switch

**COMPATIBILITY**

All generators except HDZAA



699-01001

**028-00019**  
*Switch and LCD Meter with Fuel Gauge*

**DESCRIPTION**

Start/Stop Switch and LCD Hourmeter with fuel gauge for gasoline generator installations.

**COMPATIBILITY**

HGJBB, KY, HGJAx



028-00019

**REMOTE PANEL HARNESSES**

**0338-3489-01**  
*Remote Panel Harness—10 Foot*

**0338-3489-02**  
*Remote Panel Harness—30 Foot*

**044-00003**  
*Remote Panel Harness—10 Foot*

**044-00055**  
*Remote Panel Harness—12 Foot*

**044-00026**  
*Remote Panel Harness—25 Foot*

**044-00041**  
*Remote Panel Harness—40 Foot*

**044-00071**  
*Remote Panel Harness—50 Foot*

**044-00050**  
*Remote Panel Harness—60 Foot*

**DESCRIPTION**

Remote panel harness that mates with the remote panel connector on the generator to the connector(s) on the remote panel for gasoline and LP generators.

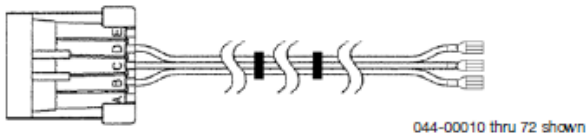
**COMPATIBILITY**

PART NO.	FOR USE WITH CONTROL PANELS
0338-3489-01	0300-5331
0338-3489-02	0300-5332
	0300-5333
044-00003	028-00022
044-00026	699-00589
044-00041	
044-00050	
044-00055	
044-00071	



0338-3489-01 and 0338-3489-02 shown





044-00003 – 044-00071

**0338-3490-01**

*Remote Panel Harness—10 Foot*

**0338-3490-02**

*Remote Panel Harness—30 Foot*

**044-00070**

*Remote Panel Harness—12 Foot*

**044-00057**

*Remote Panel Harness—15 Foot*

**044-00062**

*Remote Panel Harness—25 Foot*

**044-00063**

*Remote Panel Harness—40 Foot*

**044-00072**

*Remote Panel Harness—50 Foot*

**DESCRIPTION**

Remote panel harness that mates with the remote panel connector on the generator to the connector(s) on the remote panel for diesel generators except HDZAA and HDKAG

**COMPATIBILITY**

PART NO.	FOR USE WITH CONTROL PANELS
0338-3490-01	0300-4942
0338-3490-02	0300-4943
	0300-4944
	0300-5027
044-00057	028-00023
044-00062	699-00589
044-00063	
044-00072	



0338-3490-01 and 0338-3490-02 shown



044-00010 – 044-00072

**044-00137**

*Remote Panel Harness—25 Foot*

**DESCRIPTION**

Remote panel harness that mates with the remote panel connector on the generator to the connector on the remote panel for the QD 3200 diesel generator.

**COMPATIBILITY**

HDZAA



044-00137

**0338-2237**

*Remote Panel Harness—15 Foot*

**0338-2238**

*Remote Panel Harness—25 Foot*

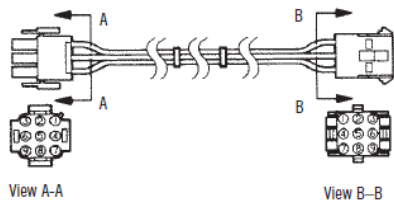
**DESCRIPTION**

Remote panel harnesses that mates with the remote panel connector on the generator to the connector on the remote panels for the HDKAG diesel generator.

**COMPATIBILITY**

HDKAG

PART NO.	FOR USE WITH CONTROL PANELS
0338-2237	0300-4939
0338-2238	0300-4940
	0300-4941



0338-2237

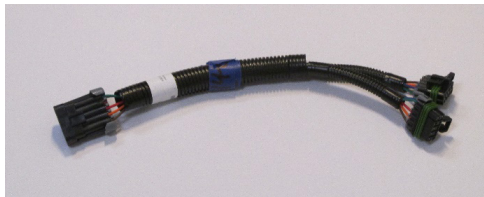
**044-00080**  
*Diesel Y Harness*

**DESCRIPTION**

10 pin “Y” connector for Quiet Diesel products, used for integrating a branch control circuit.

**COMPATIBILITY**

HDKBx, HDKAx, HDKCx



044-00080

**0300-4946 GASOLINE**  
*Pigtail to Generator*

**0300-4947 DIESEL**  
*Pigtail to Generator*

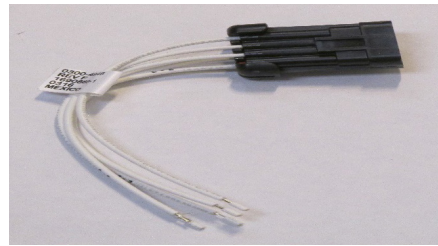
**0338-2102 DIESEL**  
*Pigtail to Generator*

**DESCRIPTION**

Features a connector that mates with the remote panel connector at the generator and 6 inches of wire without terminals.

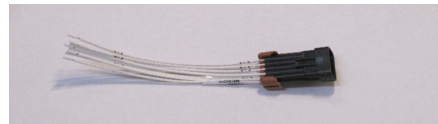
**COMPATIBILITY**

PART NO.	FOR USE WITH MODELS
0300-4946	HGJBB, KY, HGJAx
0300-494	HDKBx, HDKAx, HDKCx, HDKAL
0338-2102	HDKAG



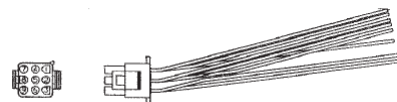
0300-4946

0300-4946



0300-4947

0300-4947



0338-2102

**0305-0979 GASOLINE**  
*Pigtail to Generator Kit*

**DESCRIPTION**

Pigtail kit that mates with the remote panel connector at the generator and 6 inches of wire without terminals.

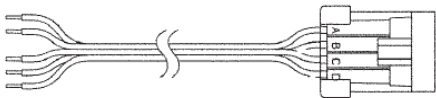
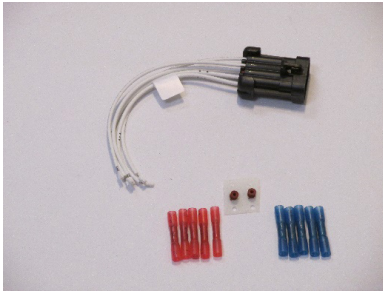
**KIT INCLUDES**

0300-4946 Pigtail plus sealed splices.

**INSTRUCTION SHEET**

C571

**COMPATIBILITY**  
HGJBB, KY, HGJAx



**0338-4156 GASOLINE**  
*Pigtail to Generator, 6 Inches with Continuous Stop Wire*

**DESCRIPTION**  
These pigtails have an additional wire to allow connection to the Commercial Mobile genet continuous stop feature.

**BENEFITS**  
Allows the operator to lock the genset out so a passerby cannot start it.

**COMPATIBILITY**  
HGJAD, HGJAE



**0338-4155-01 GASOLINE**  
*Pigtail to Generator, 10 Feet with Continuous Stop Wire*

**0338-4155-02 GASOLINE**  
*Remote Panel Harness—30 Foot with Continuous Stop Wire*

**DESCRIPTION**  
Remote panel harness that mates with the remote panel connector on the generator to the connector on the remote panel for gasoline and LP generators

with an additional wire to allow connection to the Commercial Mobile genet continuous stop feature.

**BENEFITS**  
Allows the operator to lock the genset out so a passerby cannot start it.

**COMPATIBILITY**  
HGJAD, HGJAE



**0338-3513**  
*New Generator Adapter Harness*

**DESCRIPTION**  
For new gasoline and LP generators. Harness assembly that mates with the remote panel connector at the generator and adapts to the wiring of the “old-style” remote panel connector at the generator.

**COMPATIBILITY**  
HGJBB, KY, HGJAx



**0338-3572 GASOLINE**  
*Pigtail to Control Panel*

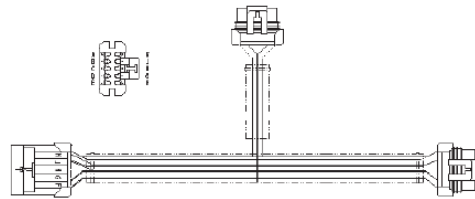
**0338-3573 DIESEL**  
*Pigtail to Control Panel*

**DESCRIPTION**  
Features a connector that mates with the connector at the remote panel connector and 6 inches of wire without terminals.

**COMPATIBILITY**

PART NO.	FOR USE WITH CONTROL PANELS
0338-3572	0300-5331
	0300-5332
	0300-5333

0338-3573	0300-4939
	0300-4940
	0300-4941
	0300-4942
	0300-4943
	0300-4944
	0300-5027
0300-5218	



## ENERGY COMMAND CONTROLS AND HARNESSES

### 018-02020

#### Energy Command EC-20

##### DESCRIPTION

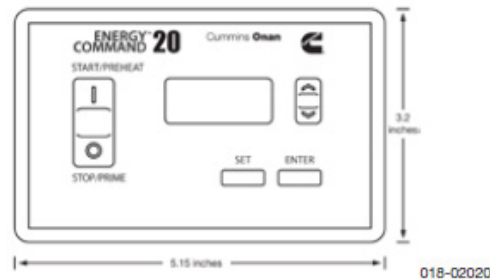
Generator and battery monitoring system. Manual start/stop switch, digital generator hour meter, diagnostic t fault messages, service reminders, battery state of charge gauge and battery voltage.

##### COMPATIBILITY

HGJBB, KY, HGJAx, HDKBx, HDKAx, HDKCx



018-02020



018-02020

### 0338-3514

#### New Remote Panel Adapter Harness

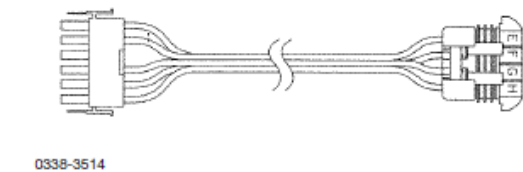
##### DESCRIPTION

For gasoline and LP generators with the “old-style” 6 pin remote panel connector. Harness assembly that mates with the “old-style” remote panel connector at the generator and adapts to the new-style 8 pin remote panel harness.

##### COMPATIBILITY

KV Spec A-E

KY Spec A-E



0338-3514

### 0338-3526

#### Junction Harness

##### DESCRIPTION

Harness to connect a DC gauge kit and a remote panel or two remote panels.

##### COMPATIBILITY

HDKAL

### 018-02030

#### Energy Command EC-30

##### DESCRIPTION

Auto generator start with generator and battery monitoring system. Auto generator starting based on low voltage or air conditioner demand. Manual start/stop switch, digital generator hour meter, diagnostic

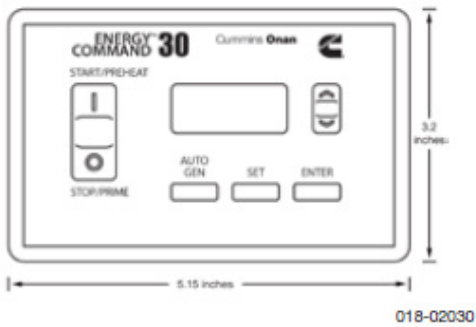
fault messages, service reminders, battery state of charge gauge and battery voltage.

**COMPATIBILITY**

HGJBB, KY, HGJAx, HDKBx, HDKAx, HDKCx



018-02030



018-02030

**044-00075**

*EC Wiring Harness for Gasoline and LP Generators—25 ft*

**044-00076**

*EC Wiring Harness for Quiet Diesel Generators—25 ft*

**DESCRIPTION**

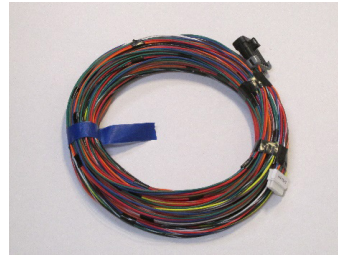
Remote wiring harness with compatible connectors from the generator to either the EC-20 or EC-30 control.

**COMPATIBILITY**

PART NO.	FOR USE WITH MODELS
044-00075	HGJBB, KY, HGJAx
044-00076	HDKBx, HDKAx, HDKCx



044-00075



044-00076

**044-00077**

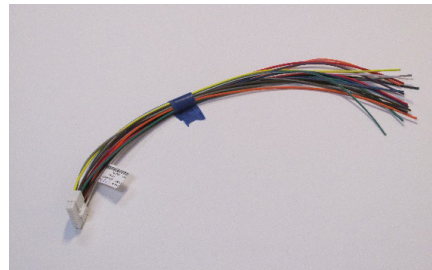
*EC Wiring Harness—18 Inch*

**DESCRIPTION**

18-inch pigtail with compatible connector for the EC-20 and EC-30 allowing custom wire harness configurations.

**COMPATIBILITY**

HGJBB, KY, HGJAA, HGJAB, HGJAD, HGJAE, HDKAH, HDKAK, HDKAT, HDKAU, HDKAV, HDKCA, HDKCB, HDKCC, HDKCD



044-00077

**ELECTRICAL KITS**

**0320-1572**

*Circuit Breaker Kit—30 Amp*

**DESCRIPTION**

Replaces 20 amp breaker when two 30 amp single pole breakers are required.

**INSTRUCTION SHEET**

G025

**COMPATIBILITY**

HGJAx

**0320-1683**

*Circuit Breaker Kit—20 Amp*

**DESCRIPTION**

Replaces one of the 30 amp breakers when a 20 amp and 30 amp breaker are required.

**INSTRUCTION SHEET**

C336

**COMPATIBILITY**

HGJAx

**AC CONDUITS & JUNCTION BOX KITS**

**042-00053**

*Non-Metallic Conduit—38 Inches*

**042-00079**

*Metallic Conduit—60 Inches*

**DESCRIPTION**

Used with gasoline and LP generators. Features 1/2 diameter metallic or non-metallic liquid-tight conduit with a liquid-tight connector at one end. Custom length conduits available on request.

**INSTALLATION NOTES:**

Can be installed above or below floor.

**COMPATIBILITY**

HGJBB, KY, HGJAx



042-00053



042-00079

**042-00050**

*Non-Metallic Conduit with 2 Connectors—38 Inches*

**DESCRIPTION**

Used with 1 phase—120 volt diesel generators. Features 3/4 inch diameter non-metallic liquid-

tight conduit filled with 5 #8 wires and liquid-tight connectors. Custom length conduits available on request.

**INSTALLATION NOTES:**

Can be installed above or below floor.

**COMPATIBILITY**

HDKAx



042-00050

**042-00006**

*Non-Metallic Conduit with 2 Connectors—38 Inches*

**DESCRIPTION**

Used with 1 phase—120/240-volt diesel generators. Features 3/4 inch diameter non-metallic liquid-tight conduit filled with 3 #8 wires and liquid-tight connectors. Custom length conduits available on request.

**INSTALLATION NOTES:**

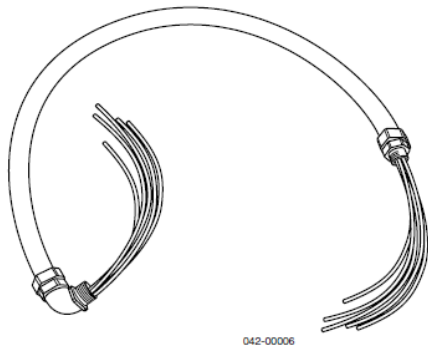
Can be installed above or below floor.

**COMPATIBILITY**

HDKBx, HDKCx



042-00006



## BATTERY CABLES—#2 AWG

### DESCRIPTION

#2 AWG battery cable supplied with ring terminals—3/8 inch at each end.

PART NUMBER	LENGTH (FT)
048-00047	2 ft
048-00049	2-1/2 ft
048-00051	3 ft
048-00053	4 ft
048-00226	6 ft
048-00238	8 ft
048-00063	9 ft
048-00233	10 ft
048-00038	20 ft
048-00232	26 ft

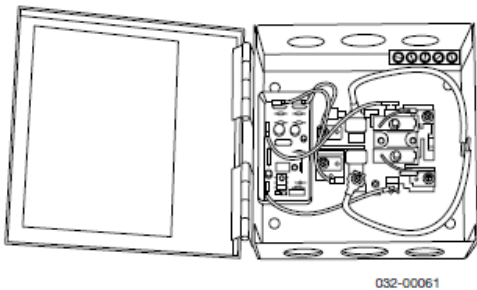
## AC TRANSFER SWITCHES

### 032-00061

Transfer Switch—30 Amp

### DESCRIPTION

Includes 1/2—3/4 inch knockouts.



048-00047 – 048-00233

### 032-00093

Transfer Switch—50 Amp

### DESCRIPTION

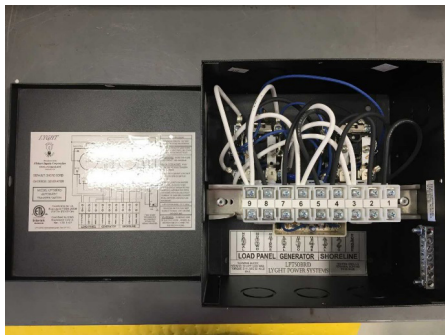
50 amp rated RV transfer switch

### 048-00037

Raw Battery Cable (by the inch)



048-00037



# LP FUEL SYSTEM ACCESSORIES

## LP FUEL LINES

LPG High Pressure #8 Fuel Lines with one straight swivel female fitting and one 90 degree swivel female fitting.

PART NUMBER	LENGTH (FT)
038-00209	6 ft
038-00213	9 ft
038-00185	10 ft
038-00211	12 ft

### INSTALLATION NOTES

Approved for use under floor



040-00123



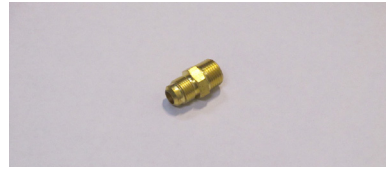
Size: 1/2 Nominal ID X 1/2 37° flare seal angle

## LP BRASS FITTINGS

### 040-00123 Straight Flare Fitting

#### DESCRIPTION

1/2 Male 45 Flare x 1/2 Male NPT



### 040-00163 Straight Flare Fitting

#### DESCRIPTION

1/2 Male 45 Flare x 3/8 Male NPT



040-00163

### 040-00063 Branch Tee

#### DESCRIPTION

3/8 Male NPT x 3/8 Female NPT



040-00063

## PRESSURE REGULATORS

### 699-01049 Regulator—2 Stage with Vent at 6 o'clock

#### DESCRIPTION

Features a 1/4 Female NPT Inlet and a 3/8 Female NPT outlet. 11 inches WC. 160k btu/hr capacity.

#### INSTALLATION

Install with vent pointing down for vertical installation.





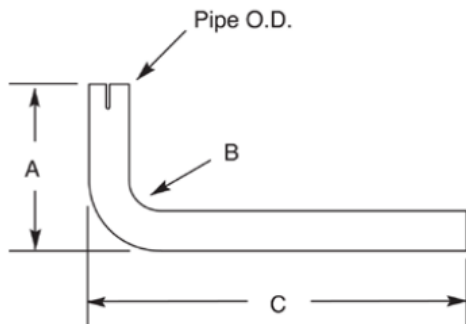
# TAILPIPE & EXHAUST KITS

Plan each individual exhaust system carefully. A proper installation is not only vapor-tight, but is quieter and safer. Be sure to check all applicable vehicle standards and state and federal codes regarding exhaust installations for the vehicle the generator is being installed into. Be sure the installation meets all the applicable codes and requirements. Refer to the proper Onan instruction sheet and installation manual for recommendations and important safety precautions to follow when installing an exhaust system.

Onan generators have a built-in USDA Forest Service approved spark arrestor muffler. It is necessary to equip the generator with a tailpipe during the installation.

For custom tailpipes, please contact Cummins Elkhart Parts Sales at (574) 262-4611.

## 90 DEGREE TAILPIPES

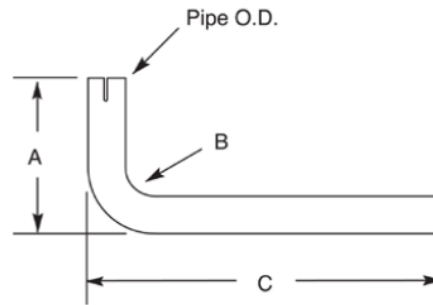


### DESCRIPTION

18 Gauge aluminized 90 degree tailpipes

PART NO.	PIPE O.D.	LENGTH A	BEND B	LENGTH C
046-00789	1-1/4 in	3-1/2 in	90 deg	25-1/2 in
046-01235	1-1/4 in	6 in	90 deg	36 in
046-00547	1-1/4 in	12 in	90 deg	36 in
046-01889	1-1/4 in	20 in	90 deg	36 in
046-02382	1-1/2 in	6 in	90 deg	30 in
046-01096	1-1/2 in	9 in	90 deg	36 in
046-00949	1-1/2 in	12 in	90 deg	36 in
046-01277	1-1/2 in	32 in	90 deg	36 in

## 90 DEGREE TAILPIPE KITS



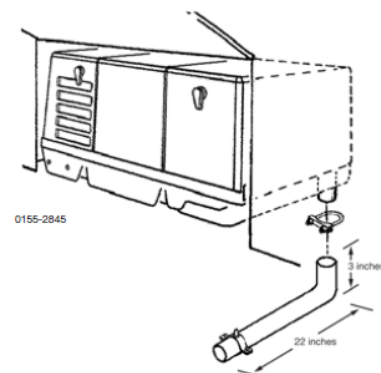
### DESCRIPTION

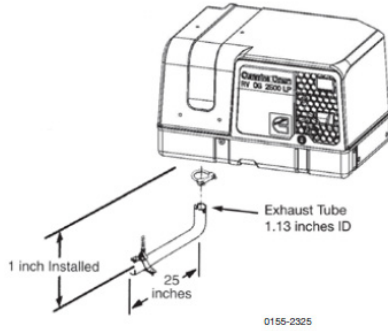
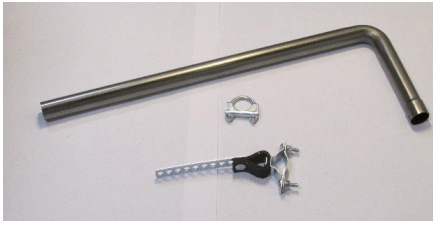
18 Gauge aluminized 90 degree tailpipes kits that include a clamp and hanger

PART NO.	PIPE O.D.	LENGTH A	BEND B	LENGTH C	HANGER
0155-2845	1-1/4 in	3-1/2 in	90 deg	21-7/8 in	See image
031-00064	1-1/4 in	3-1/2 in	90 deg	25-1/2 in	034-00032
031-00080	1-1/4 in	3-1/2 in	90 deg	25-1/2 in	034-00033
0155-2325	1-1/4 in	3-1/2 in	90 deg	25-1/2 in	0155-2174
0155-3481-01	1-1/2 in	9-3/4 in	90 deg	22-3/4 in	0155-2174
0155-3481-02	1-1/2 in	9-3/4 in	90 deg	26-3/4 in	0155-2174
031-00178	1-1/2 in	9-3/4 in	90 deg	26-3/4 in	034-00014



0155-2845

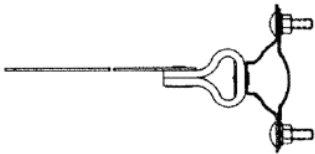




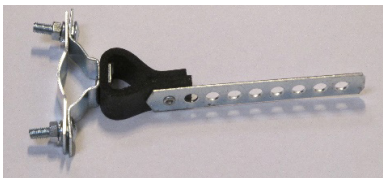
0155-2325



034-00033



0155-2174

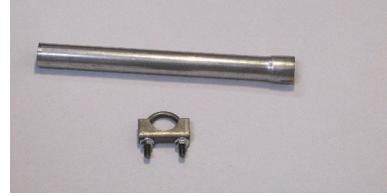


034-00014

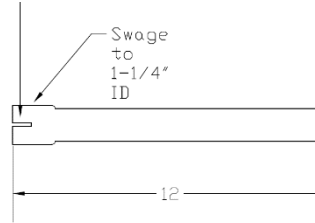
## STRAIGHT TAILPIPES AND KITS

### DESCRIPTION

Straight tailpipe. Kits include hangers and clamps.



0155-2850

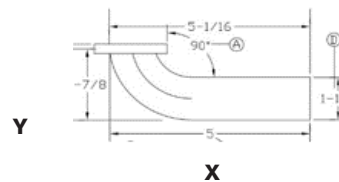


PART NO.	INLET ID	OUTLET OD	LENGTH	KIT
046-01418	1-1/4 in	1-1/4 in	12 in	No
0155-2850	1-1/4 in	1-1/4 in	12 in	Includes clamp
031-00300	1-1/4 in	1-1/4 in	36 in	Includes clamp and hanger
A046F728	1-1/4 in	1-1/4 in	36 in	Includes clamp and hanger
046-01496	1-1/4 in	1-1/4 in	60 in	No
046-00963	1-1/2 in	1-1/2 in	36 in	No

### COMPATIBILITY

SIZE	FOR USE WITH MODELS
1-1/4 in O.D.	HGJBB, KY, HDZAA
1-1/2 in O.D.	HGJAx, HDKBx, HDKAx, HDKCx

## EXHAUST ELBOWS WITH FLANGES



### DESCRIPTION

90 degree exhaust elbows that connect to the flange on the muffler.

PART NO.	PIPE O.D.	LENGTH Y	LENGTH X	FLANGE	COMPATIBILITY
030-00095	1-1/8 in	2 in	5 in	030-00094	HGJBB
A041H694	1-1/8 in	2 in	5 in	030-00094	HGJBB
030-00072	1-3/8 in	1-3/8 in	6-5/8 in	030-00078	HGJAx
A026E097	1-3/8 in	1-3/8 in	6-5/8 in	030-00078	HGJAx
030-00100	1-3/8 in	2-1/8 in	4-3/8 in	030-00078	HGJAx
030-00073	1-3/8 in	2-1/2 in	6-5/8 in	030-00030	HDKAx, HDKBx
A026E098	1-3/8 in	2-1/2 in	6-5/8 in	030-00030	HDKAx, HDKBx
030-00074	1-3/8 in	2 in	6-5/8 in	030-00079	HDKCx
A026E082	1-3/8 in	2 in	6-5/8 in	030-00079	HDKCx
030-00035	1-3/8 in	2-1/8 in	6-3/8 in	030-00079	HDKCx

#### INSTALLATION NOTES

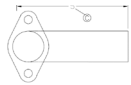
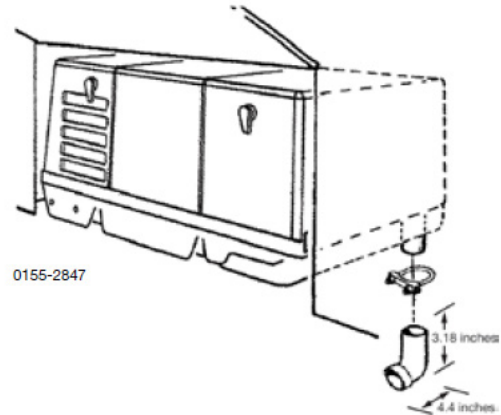
An additional tailpipe, clamps and hangers will be required to complete the installation.

#### KIT INCLUDES

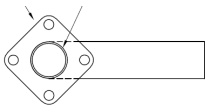
Exhaust elbow and clamp

#### COMPATIBILITY

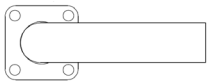
KY, HDZAA



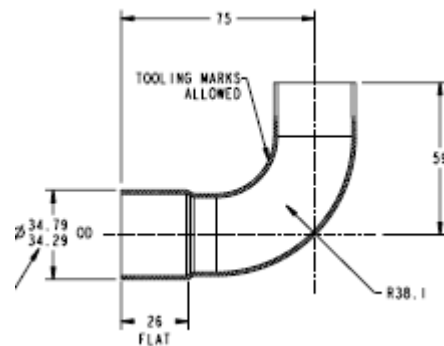
030-00025 & 030-00094 Flange



030-00078 Flange



030-00030 & 030-00079 Flange



0155-2847

## EXHAUST ELBOWS WITHOUT FLANGE

### 046-01539

#### Elbow Adapter

#### DESCRIPTION

90 degree elbow designed to slip over 1-1/8 inch muffler outlet with a 1-3/8 O.D. outlet for a 1-1/2 inch OD tailpipe to connect over.

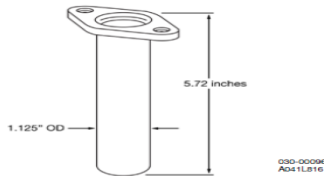
### 0155-2847

#### Elbow Adapter Kit

#### DESCRIPTION

90 degree elbow (046-01539) with clamp.

## EXHAUST DOWN TUBES WITH FLANGES



### DESCRIPTION

Connects to the muffler flange

PART NO.	PIPE O.D.	DIM DOWN	FLANGE	GASKET/ HDWE	COMPATIBILITY
030-00107	1-1/8 in	3 in	030-00094		HGJBB
030-00096	1-1/8 in	5-3/4 in	030-00094		HGJBB
A041L816	1-1/8 in	5-3/4 in	030-00094		HGJBB
030-00105	1-1/8 in	8 in	030-00094		HGJBB
030-00103	1-1/8 in	10 in	030-00094		HGJBB
030-00011	1-3/8 in	2-3/4 in	030-00025		HGJAx, HDKAx, HDKCx
030-00007	1-3/8 in	2-3/4 in	030-00025	Hdwe	HGJAx, HDKAx, HDKCx
030-00009	1-3/8 in	2-3/4 in	030-00025	Gasket & Hdwe	HGJAx, HDKAx, HDKCx
030-00064	1-3/8 in	3-1/8 in	030-00025		HGJAx, HDKAx, HDKCx
0155-2610	1-3/8 in	3-1/8 in	030-00025		HGJAx, HDKAx, HDKCx
030-00019	1-3/8 in	4 in	030-00025		HGJAx, HDKAx, HDKCx
030-00097	1-3/8 in	4-1/2 in	030-00025		HGJAx, HDKAx, HDKCx
030-00015	1-3/8 in	5 in	030-00025		HGJAx, HDKAx, HDKCx
030-00063	1-3/8 in	6-1/2 in	030-00025		HGJAx, HDKAx, HDKCx
030-00067	1-3/8 in	7-1/8 in	030-00025		HGJAx, HDKAx, HDKCx
0155-2424	1-3/8 in	7-1/8 in	030-00025		HGJAx, HDKAx, HDKCx

## EXHAUST HANGERS

### 034-00033

Hanger Bracket for 1-1/4 inch OD Pipe—5 Inch

### 0155-2174 / 034-00014

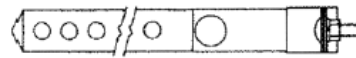
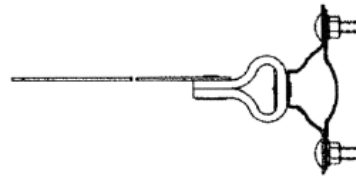
Hanger Bracket for 1-1/2 inch OD Pipe—6-1/2 Inch

### 034-00015

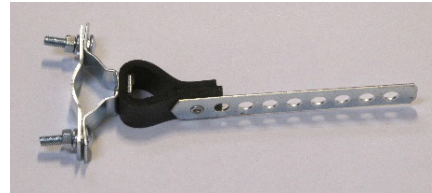
Hanger Bracket for 1-1/2 inch OD Pipe—10-1/2 Inch

### DESCRIPTION

Flexible bracket segment speeds installation, reduces rigid tailpipe stresses and minimizes transmitted vibration to the chassis.



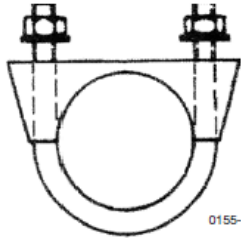
0155-2174



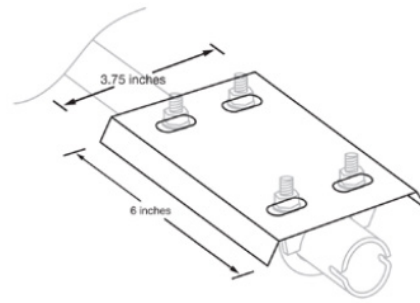
# EXHAUST CLAMPS

## CLAMPS

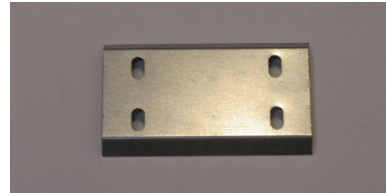
PART NUMBER	PIPE SIZE
034-00003	1-1/8 inch
034-00002	1-1/4 inch
034-00005	1-3/8 inch
034-00001	1-1/2 inch
034-00006	1-5/8 inch



0155-1015 to 0155-1257



026-00344



026-00344

## EXHAUST SHIELD

### 026-00344

*Exhaust Shield 6 Inch*

#### DESCRIPTION

Exhaust heat shield—6 inches in length with 4 slotted holes for installation (clamps sold separately).

#### COMPATIBILITY

1-1/4" and 1-1/2" OD tailpipes

### 026-00345

*Exhaust Shield 12 Inch*

#### DESCRIPTION

Exhaust heat shield—12 inches in length with 4 slotted holes for installation (clamps sold separately).

#### COMPATIBILITY

1-1/4" and 1-1/2" OD tailpipes

# UNIQUE EXHAUST ACCESSORIES

### 046-00631

*Chrome Tailpipe Tip*

#### DESCRIPTION

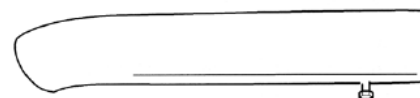
Fits over 1-1/2 inch O.D. tailpipe, 10 inches long.

#### COMPATIBILITY

HGJAA, HGJAB, HGJAD, HGJAE, HDKBB, HDKBC, HDKAH, HDKAK, HDKAT, HDKAU, HDKAV, HDKCA, HDKCB, HDKCC, HDKCD



046-00631



046-00631

**0155-2449**  
*Exhaust Resonator*

**DESCRIPTION**

Constructed of aluminized steel, this resonator is designed to be installed over 1-1/4 inch O.D. tailpipe.

**BENEFITS**

Softens exhaust noise and can reduce sound levels in some installations up to one dB(A).

**INSTALLATION NOTES:**

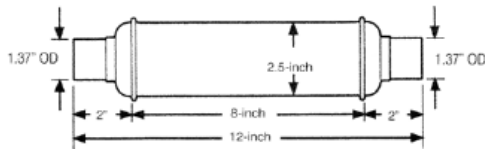
Requires a 1-3/8" inch pipe clamp reference part number 034-00005, sold separately. Inlet stamped on part.

**COMPATIBILITY**

HGJBB, KY



0155-2449



0155-2449

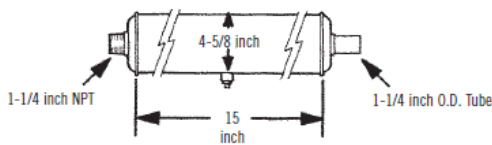
**0155-2068**  
*Muffler*

**DESCRIPTION**

USDA Forest Service approved spark arrestor muffler.

**COMPATIBILITY**

HDKAL



Inlet (1-1/4 NPT)



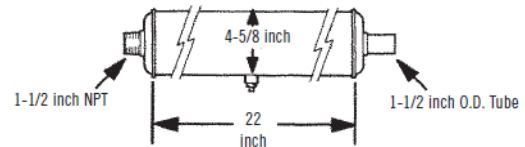
**0155-2262**  
*Muffler*

**DESCRIPTION**

USDA Forest Service approved spark arrestor muffler.

**COMPATIBILITY**

HDKAG



Inlet (1-1/2 NPT)



**0155-2653**  
*Exhaust Resonator*

**DESCRIPTION**

Mates with 1-1/4 OD exhaust pipe. Constructed of aluminized steel.

**BENEFITS**

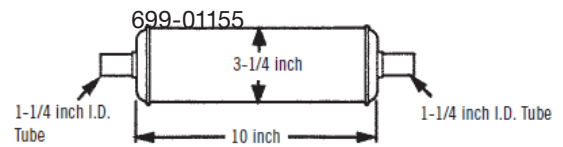
Softens exhaust noise and can reduce sounds levels in some installations up to one dB(A).

**INSTALLATIONS NOTES**

Requires a 1-3/8 inch OD pipe clamp (sold separately). Inlet stamped on part.

**COMPATIBILITY**

HDKAL, HDKAG



**FLEX TAILPIPES**

**699-01154**

*Flex Tube w/90 Deg Bend—8 Inch*

**699-01155**

*Flex Tube w/90 Deg Bend—12 Inch*

**699-01157**

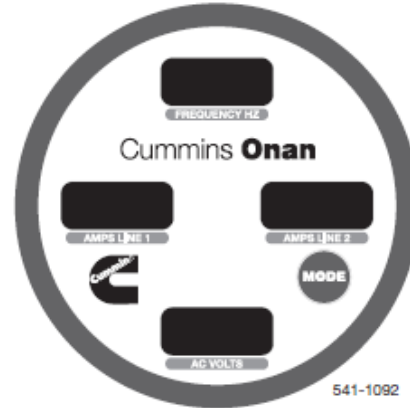
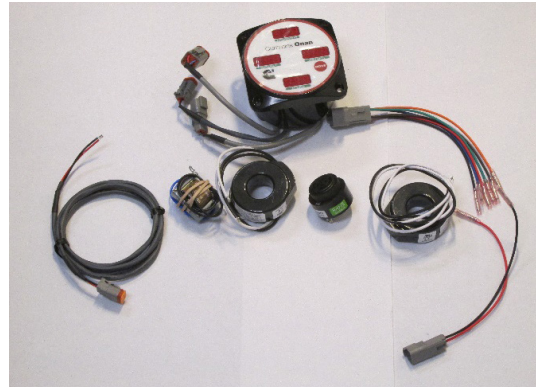
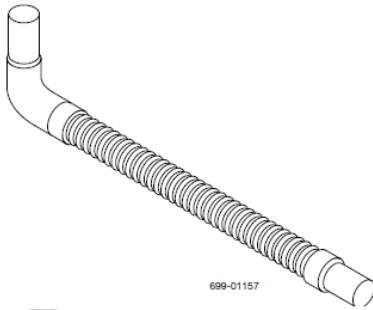
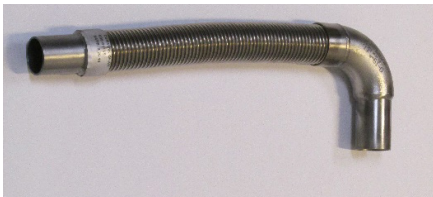
*Flex Tube w/90 Deg Bend—24 Inch*

**DESCRIPTION**

Flex tubes with 1-1/8 inch OD ends.

**COMPATIBILITY**

HGJBB, KY, HDZAA



**PROTEC PTO ACCESSORIES**

**DISPLAY PANEL**

**0541-1092**

*Single Phase*

**LED DISPLAY METER**

This LEC display meter can be used to display amps, volts and Hz of the system. Kit contains meter, current transformers, voltage transformer, wiring harnesses and instructions.

**HYDRAULIC GENERATOR ACCESSORIES**

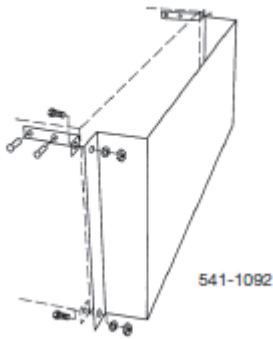
**RBAA/RBAB HYDRAULIC GENERATOR ACCESSORIES**

*Enclosure Kit (Air Discharge)*

**DESCRIPTION**

Attaches to the side of the CMHG genset. Allows air to be blown up or down.

P/N	KW	SPEC
0541-0873	6,8,10	A-D
0541-0911	15	A-D
0541-1012	20,25	A-B



**0338-4089**

*Harness—AC (Sense), 15 ft Extension*

**DESCRIPTION**

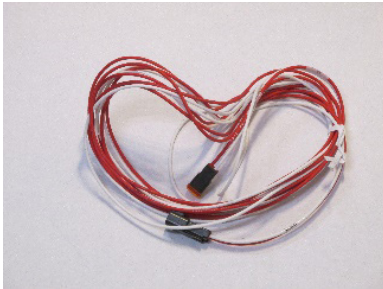
From the genset to the FRC display.

**0338-4086**

*Harness—Valve, 15 ft Extension*

**DESCRIPTION**

From the genset to the solenoid valve on the pump manifold.



**0338-4087**

*Harness—Meter (Power), 15 ft Extension*

**DESCRIPTION**

From the genset to the FRC display



**0338-4088**

*Harness—Sensor (Temp), 15 ft Extension*

**DESCRIPTION**

From the FRC display to the temperature sensor located on the filter assembly on the reservoir



# FAN CONVERSION KITS

## 0130-4121

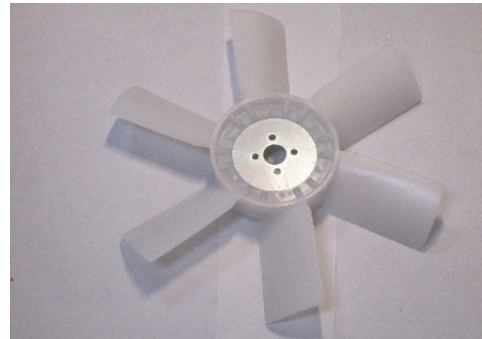
### *Sucker Fan*

#### **DESCRIPTION**

Fan only. Converts a pusher fan generator to a suction fan generator. Pulls air through radiator towards engine.

#### **COMPATIBILITY**

HDKAG



## 0130-4556

### *Pusher Fan*

#### **DESCRIPTION**

Fan only. Converts a sucker fan generator to a pusher fan generator. Pushes air from engine through radiator.

#### **COMPATIBILITY**

HDKAG

## 0130-5042

### *Sucker Fan*

#### **DESCRIPTION**

Fan only. Converts a pusher fan generator to a suction fan generator. Pulls air through radiator towards engine.

#### **COMPATIBILITY**

HDKAL beginning with Spec B

## 0130-5041

### *Pusher Fan*

#### **DESCRIPTION**

Fan only. Converts a sucker fan generator to a pusher fan generator. Pushes air from engine through radiator.

#### **COMPATIBILITY**

HDKAL beginning with Spec B

## 0140-3214

### *Ducting Kit*

#### **DESCRIPTION**

For use with suction fan generators when mounted in compartments.

#### **KIT INCLUDES**

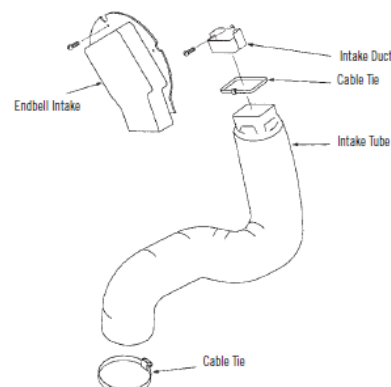
Air duct, hoses and hardware.

#### **INSTRUCTION SHEET**

G407

#### **COMPATIBILITY**

HDKAL, HDKAG



# COOLANT OVERFLOW RECOVERY

## 0130-2781

### *Coolant Overflow Recovery Kit*

#### **DESCRIPTION**

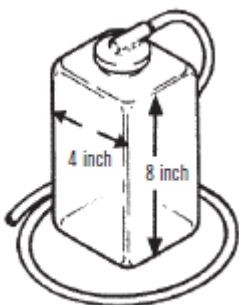
One quart capacity. Fits with standard vented cap. Allows recovery of coolant in high ambient operation.

#### **INSTRUCTION SHEET**

A304

#### **COMPATIBILITY**

HDKAL, HDKAG





**Cummins Inc.**  
1400 73rd Ave. NE  
Minneapolis, MN 55432  
U.S.A.

Phone: 1-800-CUMMINS™ (1-800-286-6467)  
Internet: [rv.cummins.com](http://rv.cummins.com)

All Rights Reserved. Cummins, Onan and the "C" logo are registered trademarks of Cummins Power Generation.

Bulletin 5410860 (F-0632E) 9/19  
©2019 Cummins Inc.