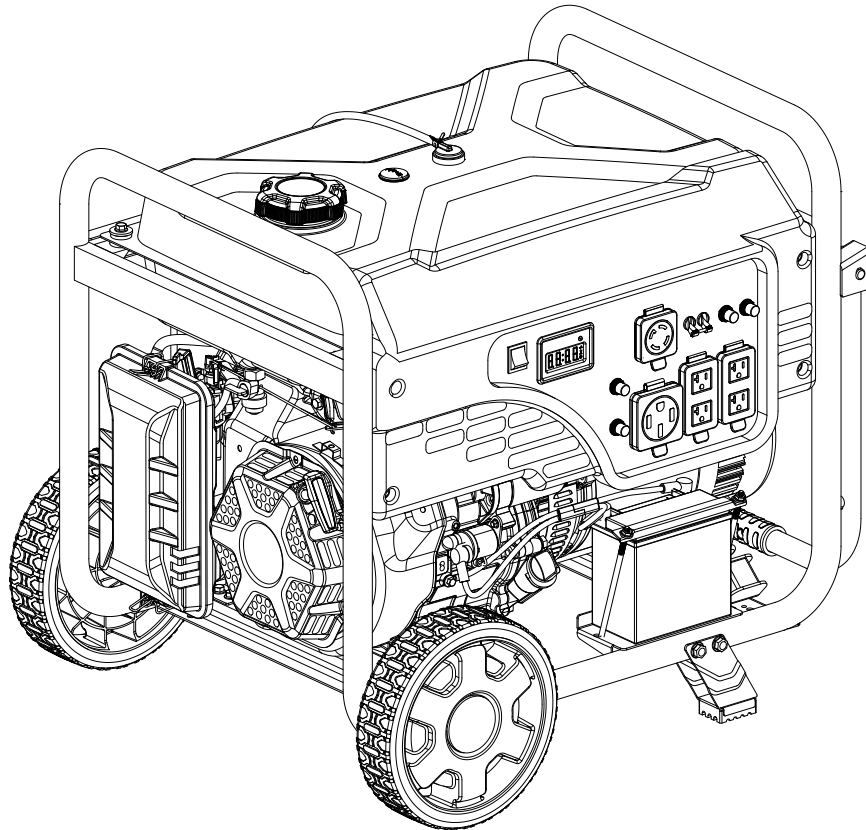


Champion Power Equipment, Inc., Santa Fe Springs, CA USA

MODEL #201110



PARTS INFORMATION
9200W ELECTRIC START GENERATOR
SERIAL NUMBER RANGE: ALL



To order replacement parts please visit:
shop.championpowerequipment.com
or call **1-877-338-0999**.

TABLE OF CONTENTS

Generator Parts Diagram	3
Generator Parts List	4
Engine Parts Diagram	5
Engine Parts Part List	6
Cylinder Head Diagram	8
Cylinder Head Part List	9
Carburetor Diagram	10
Carburetor Part List	11
Alternator Diagram	12
Alternator Part List	13
Fuel Tank Diagram	14
Fuel Tank Part List	15
Control Panel Diagram	16
Control Panel Part List	17
Frame Assembly Diagram	18
Frame Assembly Part List	19
Wiring Diagram	20

GENERATOR PARTS DIAGRAM

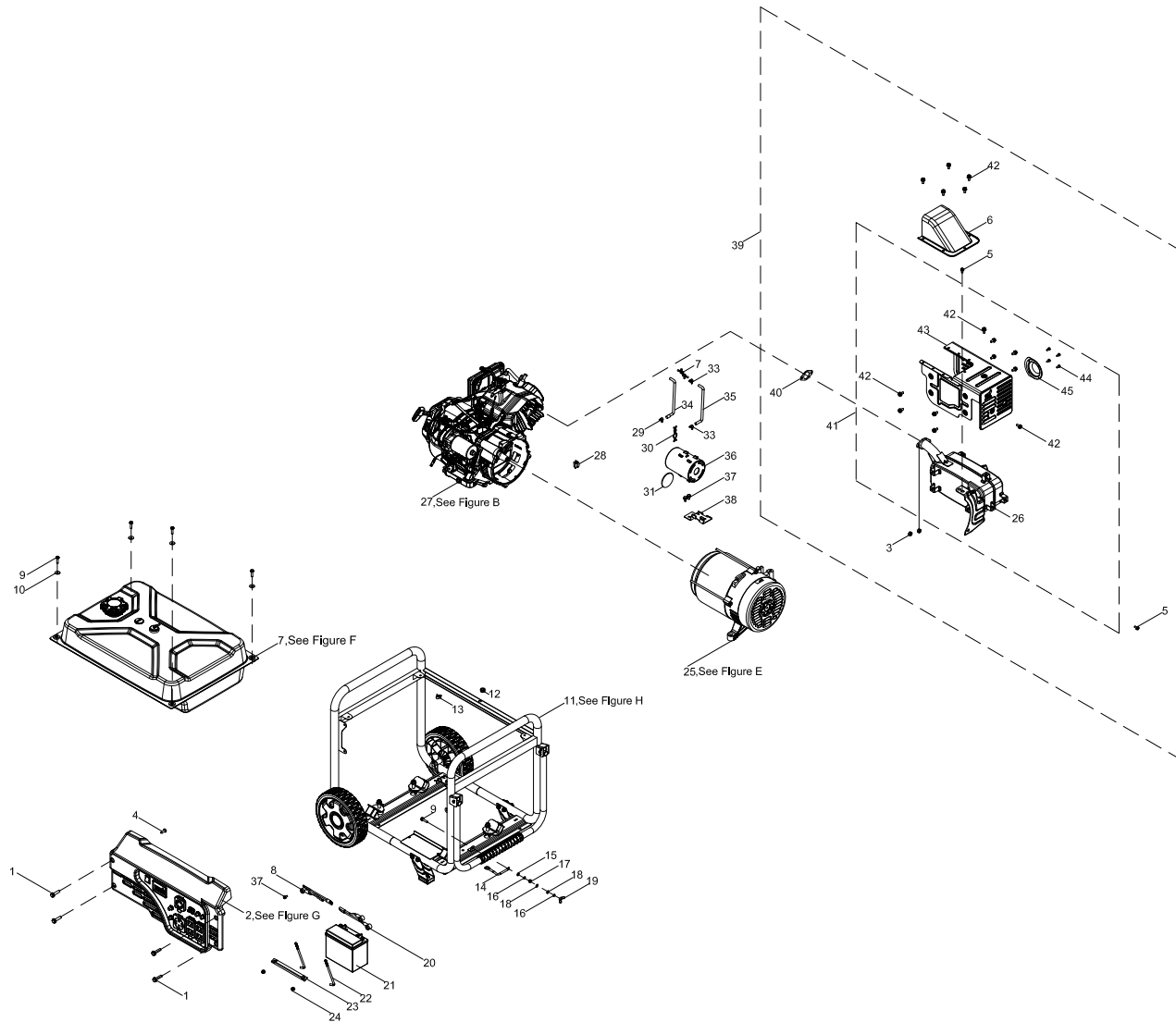


Figure A

GENERATOR PARTS LIST

#	Part Number	Description	Qty.
1	100011530-0002	Flange Bolt M6 x 16	4
2	100748895	Panel Assembly, See Figure G	1
3	100011422-0004	Flange Nut M8	2
4	100032967-0002	Self-tapping Screw ST4.2 x 16	1
5	100011311-0005	Flange Bolt M8 x 16	2
6	100163910-0001	Air Guide, Muffler	1
7	100734896	Fuel Tank Assembly, See Figure F	1
8	100712240	DC Wire Harness, Engine	1
9	100011268-0003	Flange Bolt M6 x 25	5
10	100010439-0002	Washer Ø6.5 x 2 x Ø25	4
11	100733755	Frame Assembly, See Figure H	1
12	100009075	Rubber Damper	1
13	100000667	Clamp Ø8 x 8	1
14	100746237	Grounding Wire	1
15	100011025-0001	Lock Washer Ø6, Toothed	1
16	100010886-0004	Spring Washer Ø6	2
17	100011421-0003	Flange Nut M6	1
18	100010920-0002	Flat Washer Ø6	2
19	100010828-0002	Butterfly Type Nut M6	1
20	100712241	DC Wire Harness, Battery	1
21	100021409	Battery, 12V 14Ah	1
22	100021362-0003	J-Rod, Battery Retainer	2
23	100021372-0017	Bracket, Battery Retainer, 184 mm	1
24	100011452-0003	Lock Nut M6, Flange	2
25	100733756	Alternator Assembly, See Figure E	1
26	100714555	Muffler	1
27	1ZC7DFA19	Engine, 459cc, See Figure B	1
28	100018704	Rubber Plug	1
29	100005130	Clamp Ø9 x 8	1
30	100714686	Clamp 2	1

#	Part Number	Description	Qty.
31	100716369	Insulator, Carbon Canister	1
32	100000658	Clamp	1
33	100005148	Calmp , Ø8	2
34	100712242	Vent Tube, 200mm, Canister to Air Cleaner	1
35	100746658	Vent Tube, 855mm, Canister to Reversal Valve	1
36	100008945	Carbon Canister, 650cc	1
37	100011261-0004	Flange Bolt M6 x 12, GB5789	3
38	100008675-0001	Bracket, Carbon Canister Mounting	1
39	100733016	Muffler Assembly with Gasket	1
40	100006941	Gasket, Exhaust Pipe	1
41	100724958	Exhaust Muffler Assembly	1
42	100097575-0001	Flange Bolt M6 x 10	15
43	100714387	Heat Shield, Muffler	1
44	100714381-0001	Self-tapping Screw ST4.8 x 10	4
45	100714398	Spark Arrester	1

ENGINE PARTS DIAGRAM

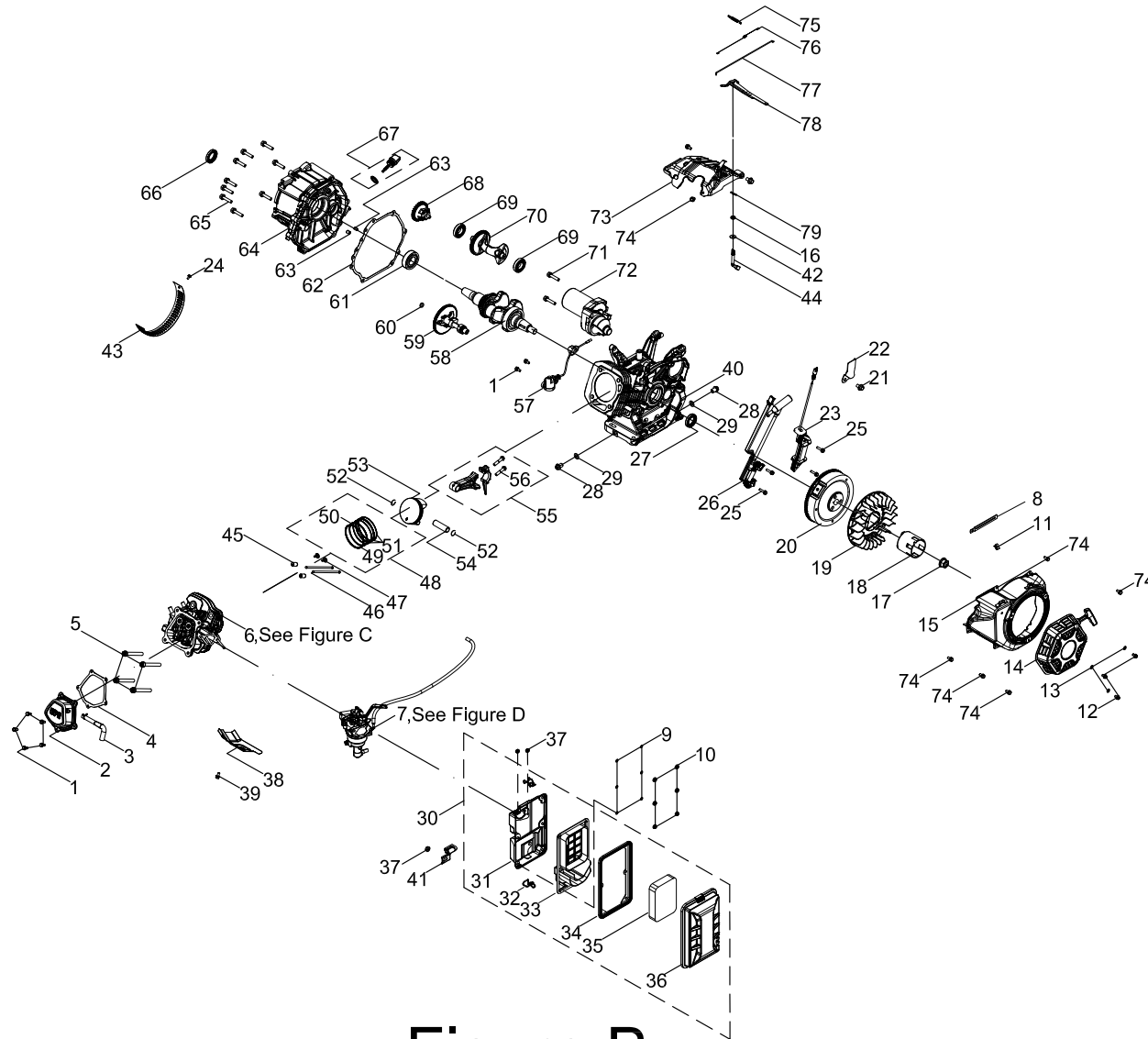


Figure B

ENGINE PARTS PART LIST

#	Part Number	Description	Qty.
1	100011264-0003	Flange Bolt M6 x 16, GB5789	7
2	100002337	Cylinder Head Cover	1
3	100715570	Breather Tube	1
4	100055922	Gasket, Cylinder Head Cover	1
5	100002470	Flange Bolt M10 x 1.25 x 87	4
6	100727937	Cylinder Head Assembly- See Figure C	1
7	100733817	Carburetor Assembly- See Figure D	1
8	100000655	Wire Clip B	1
9	100010430	Washer Ø6 x 1 x Ø12	6
10	100011451-0003	Flange Nut M5	6
11	100000667	Clamp Ø8 x 8	1
12	100011565-0001	Flange Bolt M6 x 10, GB16674.1	3
13	100010920-0002	Washer Ø6	3
14	100715836-0001	Recoil Starter, Black	1
15	100055977-0018	Cover, Engine Fan, Yellow	1
16	100017631	Oil Seal Ø8 x Ø14 x 4	1
17	100011460-0001	Flange Nut M16 x 1.5	1
18	100007562	Pulley, Starter	1
19	100007043	Fan, Engine Cooling	1
20	100097517	Flywheel	1
21	100011213-0001	Flange Bolt M6 x 8	1
22	100009463	Pressing Plate	1
23	100009405	Ignition Coil	1
24	100011248-0003	Flange Bolt M5 x 10	1
25	100011269-0003	Bolt M6 x 28	4
26	100730943	Ignition Module	1
27	100017649	Oil Seal Ø35 x Ø52 x 7	1
28	100010275	Drain Bolt, M12 x 1.5 x 15	2
29	100010467	Washer Ø12 x 1.5 x Ø15	2
30	100712978	Air Filter Assembly	1

#	Part Number	Description	Qty.
31	100714346	Air Filter Base	1
32	100714345	Air Filter Clip	2
33	100714344	Air Filter Separator	1
34	100714343	Gasket, Air Filter Cover	1
35	100713882	Air Filter Element	1
36	100714350	Air Filter Cover	1
37	100011452-0003	Lock Nut M6, Flange	3
38	100007097	Air Guide, Lower	1
39	100011260-0005	Flange Bolt M6 x 10	1
40	100711174-0001	Crankcase	1
41	100021032	Bracket, Air Cleaner Support	1
42	100010518-0001	Washer Ø8 x0.8 x Ø20	1
43	100141250	Air Defector	1
44	100007980	Governor Shaft	1
45	100010562	Dowel Pin Ø12 x 20	2
46	100149152	Push Rod	2
47	100149154	Lifter, Valve	2
48	100003265	Piston Ring Set	1
49	100003168	1st Piston Ring	1
50	100003210	2nd Piston Ring	1
51	100003295	Oil Ring	1
52	100003225	Circlip, Wrist Pin	2
53	100030224	Piston	1
54	100003132	Wrist Pin	1
55	100719493	Connecting Rod Assembly	1
56	100003432	Bolt, Connecting Rod	2
57	100094024	Oil Level Sensor	1
58	100711963	Crankshaft	1
59	100711980	Camshaft	1
60	100010521-0001	Washer Ø16.2 x 0.3 x Ø24	1

#	Part Number	Description	Qty.
61	100010789	Bearing TM6207E - P64	1
62	100734131	Gasket, Crankcase Cover	1
63	100010549	Dowel Pin Ø8 x 12	2
64	100712041	Cover, Crankcase	1
65	100011323-0001	Flange Bolt M8 x 38	9
66	100017653	Oil Seal Ø35 x Ø52 x 7, Spiral Grain	1
67	100004129-0008	Oil Dipstick	1
68	100008305	Gear, Governor	1
69	100010742	Bearing TM6202 - P63	2
70	100150211	Balance Shaft	1
71	100011320-0002	Flange Bolt M8 x 35	2
72	100713757	Starter, Engine	1
73	100715161	Air Guide, Engine Fan	1
74	100011261-0004	Flange Bolt M6 x 12, GB5789	8
75	100717724	Spring, Governor	1
76	100007927	Spring, Throttle Return	1
77	100007958	Rod, Governor	1
78	100008428	Arm, Governor	1
79	100007989	Cotter, Governor Shaft	1

CYLINDER HEAD DIAGRAM

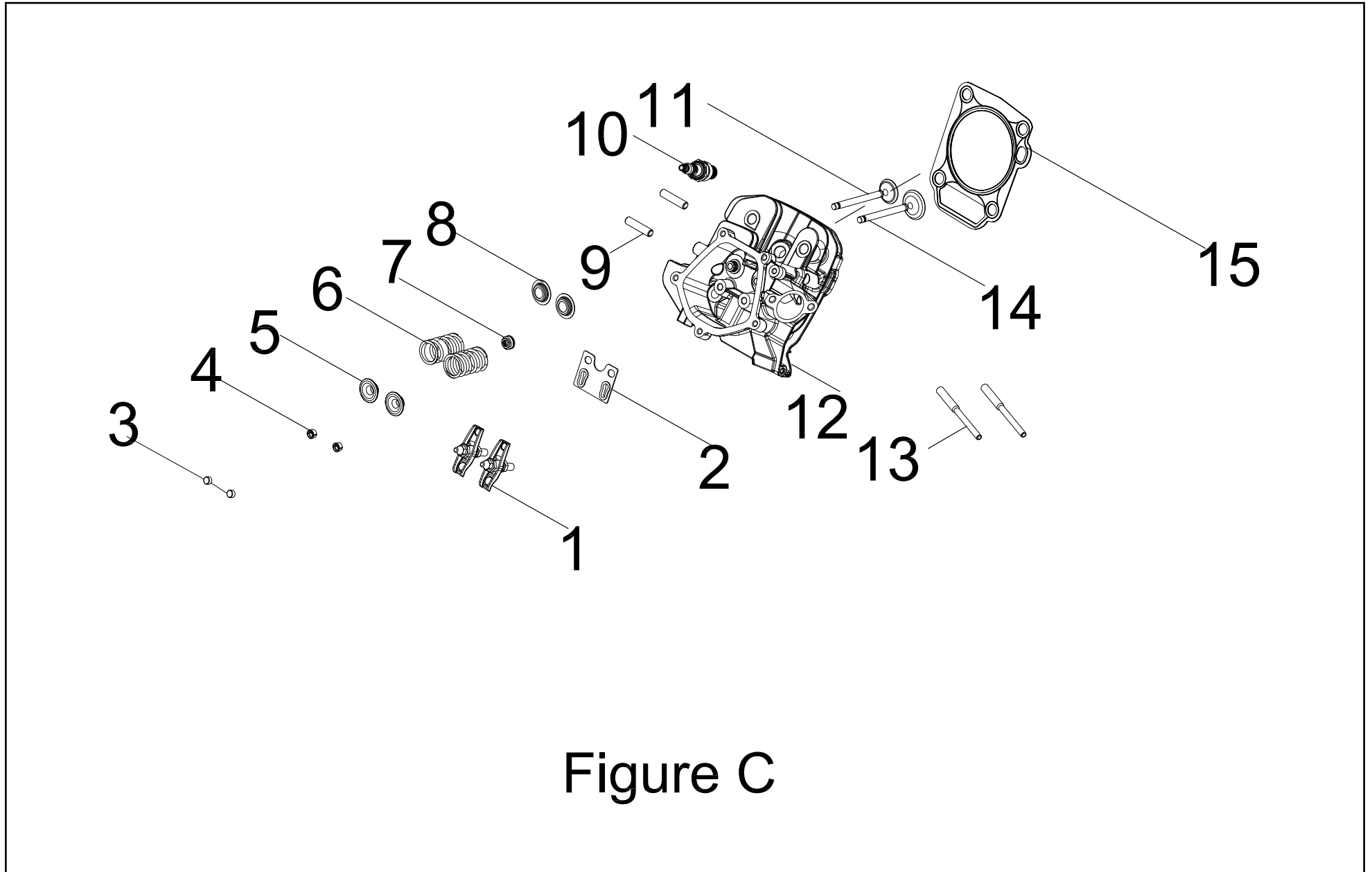


Figure C

CYLINDER HEAD PART LIST

#	Part Number	Description	Qty.
1	100149155	Rocker Arm Assembly	2
2	100004474	Guide Plate, Push Rod	1
3	100004589	Retainer, Valve	2
4	100004576	Valve Collet	4
5	100004516	Valve Spring Seat, Upper	2
6	100067633	Spring, Valve	2
7	100004602	Oil Seal, Intake Valve	1
8	100004575	Valve Spring Seat, Lower	2
9	100010389	Stud Bolt M8 x 35	2
10	100009378	Spark Plug F6RTC	1
11	100719490	Exhaust Valve	1
12	100715291	Cylinder Head	1
13	100010364	Stud Bolt M6-8 x 104	2
14	100719491	Intake Valve	1
15	100150209	Gasket, Cylinder Head	1

CARBURETOR DIAGRAM

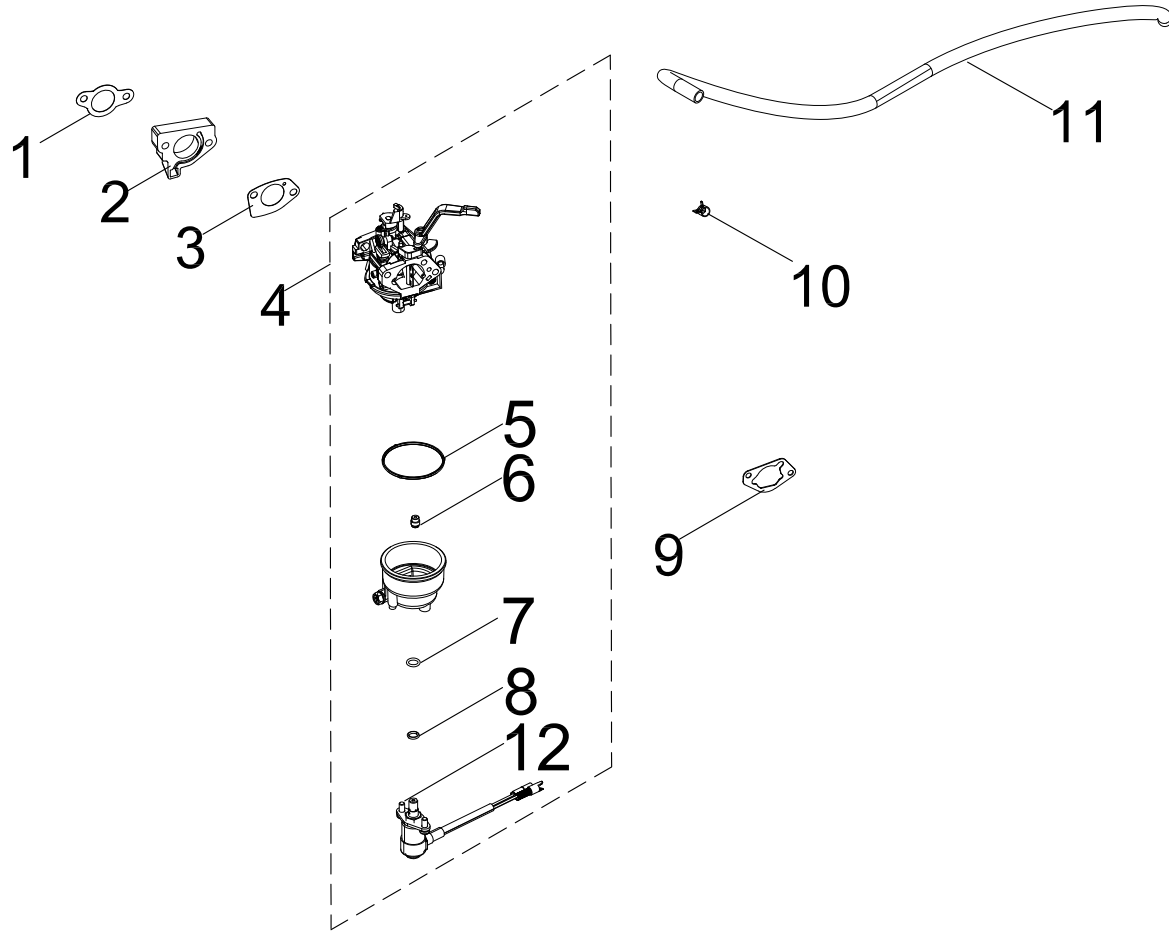


Figure D

CARBURETOR PART LIST

#	Part Number	Description	Qty.
1	100076230	Gasket, Insulator	1
2	100005618	Insulator, Carburetor	1
3	100076228	Gasket, Carburetor	1
4	100725020	Carburetor	1
5	100005720	Fuel Bowl O-Ring	1
6	100073693	Main Jet Standard (114#)	1
	100125928	Main Jet Altitude 1000-3000m (112#)	/
7	100130186	O-Ring, Solenoid Valve Base	1
8	100130185	O-Ring, Solenoid Valve	1
9	100076229	Gasket, Air Filter Base	1
10	100005138	Clamp Ø9.5 x 8	1
11	100064733	Fuel Tube, Ø4 x Ø10 x 190	1
12	100718072	Solenoid Valve	1

ALTERNATOR DIAGRAM

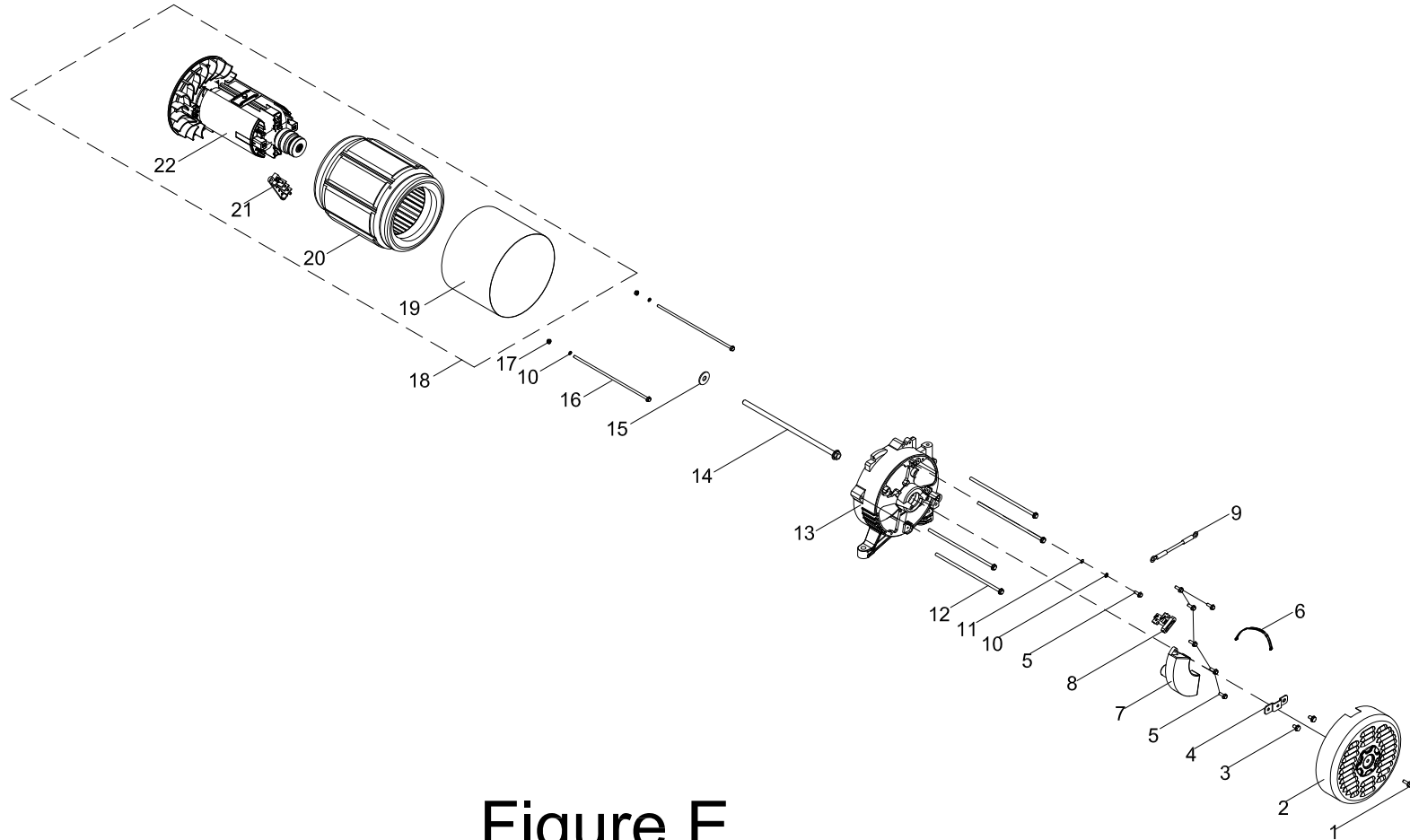


Figure E

ALTERNATOR PART LIST

#	Part Number	Description	Qty.
1	100011570-0001	Big Flange Bolt M6 x 12	1
2	100018662-0001	Cover, End Housing, Yellow	1
3	100011250-0002	Flange Bolt M5 x 14	2
4	100020167	Bracket, End Housing	1
5	100011252-0001	Flange Bolt M5 x 18	7
6	100000563	Cable Ties, L=85 mm	1
7	100018640	AVR	1
8	100018595	Carbon Brush Assembly	1
9	100746230	Grounding Wire 1	1
10	100010885-0004	Spring Washer Ø5	3
11	100010919-0002	Flat Washer Ø5	1
12	100011305-0001	Flange Bolt M6 x 200	4
13	100725617	End Housing	1
14	100011400-0001	Flange Bolt M10 x 1.25 x 285	1
15	100010905-0001	Washer Ø10	1
16	100733754	Flange Bolt M5 x 235	2
17	100011419-0001	Flange Nut M5	2
18	100715326	Alternator Assembly, Al, Ø204 x 160 mm	1
19	100726093	Stator Cover, 152.5 mm	1
20	100726091	Stator Assembly, Al, Ø204 x 160 mm	1
21	100018701	Terminal Block	1
22	100726092	Rotor Assembly, Al, Ø119 x 160 mm	1

FUEL TANK DIAGRAM

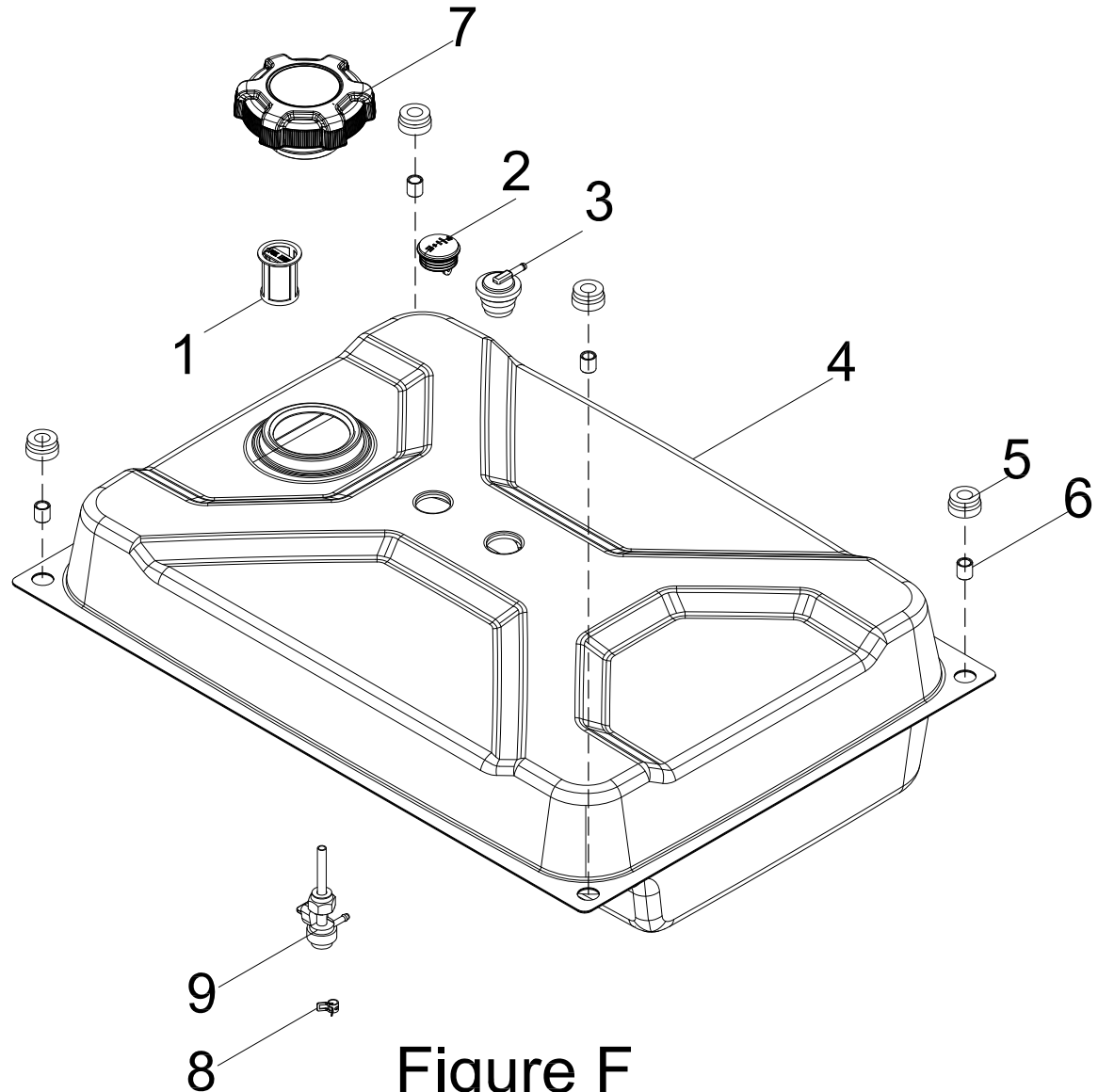


Figure F

FUEL TANK PART LIST

#	Part Number	Description	Qty.
1	100098838	Fuel Filter Assembly	1
2	100714393	Fuel Gauge	1
3	100720340	Reversal Valve	1
4	100724823-0001	Fuel Tank, 29.1L, Yellow	1
5	100032369	Vibration Mounting, Fuel Tank	4
6	100021118	Bushing, Ø12 x Ø9 x 13	4
7	100142004	Fuel Tank Cap	1
8	100005149	Clamp 1, Ø7.5	1
9	100732004	Fuel Valve with Filter	1

CONTROL PANEL DIAGRAM

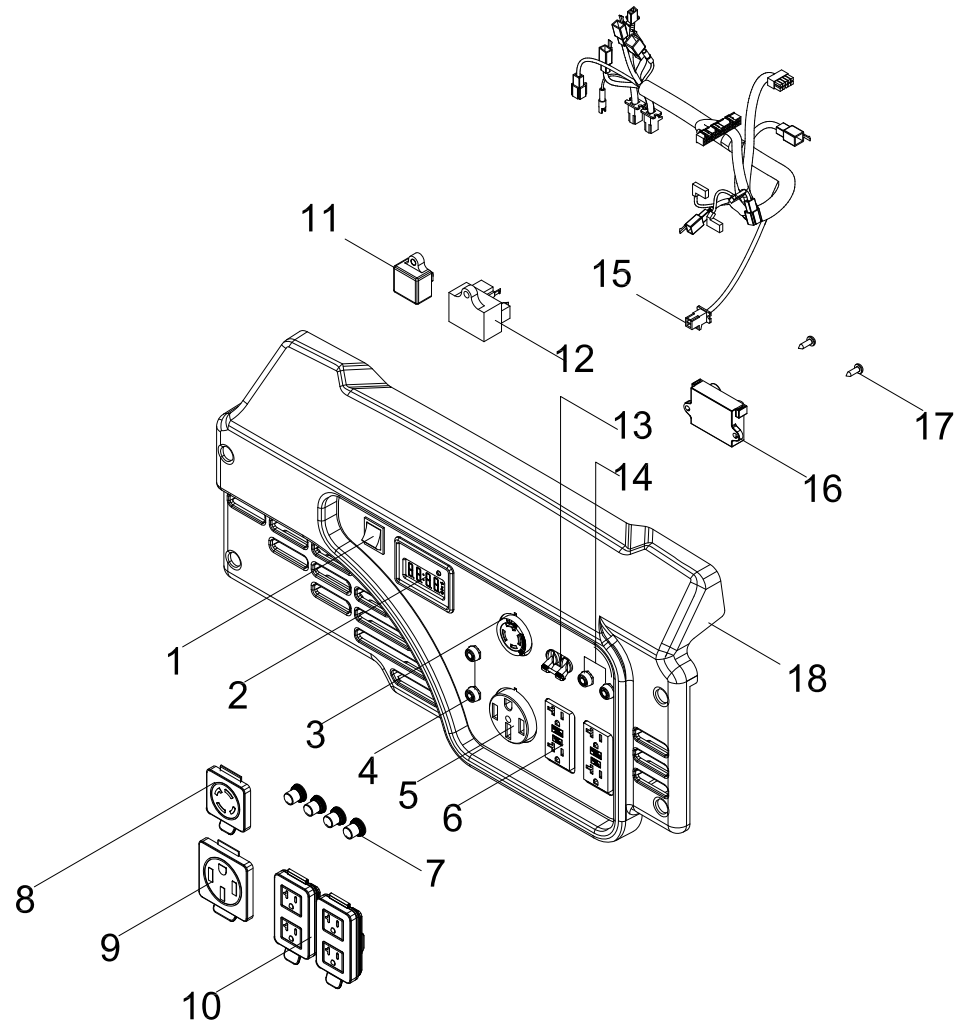


Figure G

CONTROL PANEL PART LIST

#	Part Number	Description	Qty.
1	100019771-0001	Switch, Engine	1
2	100730999	Intelligauge, INT10F	1
3	100020021	Receptacle L14-30R	1
4	100019751	30Amp Circuit Breaker, Pushbutton	2
5	100020022	Receptacle 14-50R	1
6	100052461-0001	Receptacle GFCI 5-20R, Duplex	2
7	100120180	Cover, Pushbutton Circuit Breaker	4
8	100731571	Cover, L14-30R Receptacle	1
9	100731570	Cover, 14-50R Receptacle	1
10	100731574	Cover, GFCI 5-20R, Duplex Receptacle	2
11	100724627	Charger Module	1
12	100728386	Over Voltage Protector	1
13	100726114	38 Amp Circuit Breaker, Flip Pole	1
14	100019754	20Amp Circuit Breaker, Pushbutton	2
15	100725506	Wire Harness	1
16	5.1830.022	CO Shutdown Module	1
17	100032967-0002	Self-tapping Screw ST4.2 x 16	2
18	100032110-0003	Control Panel Housing	1

FRAME ASSEMBLY DIAGRAM

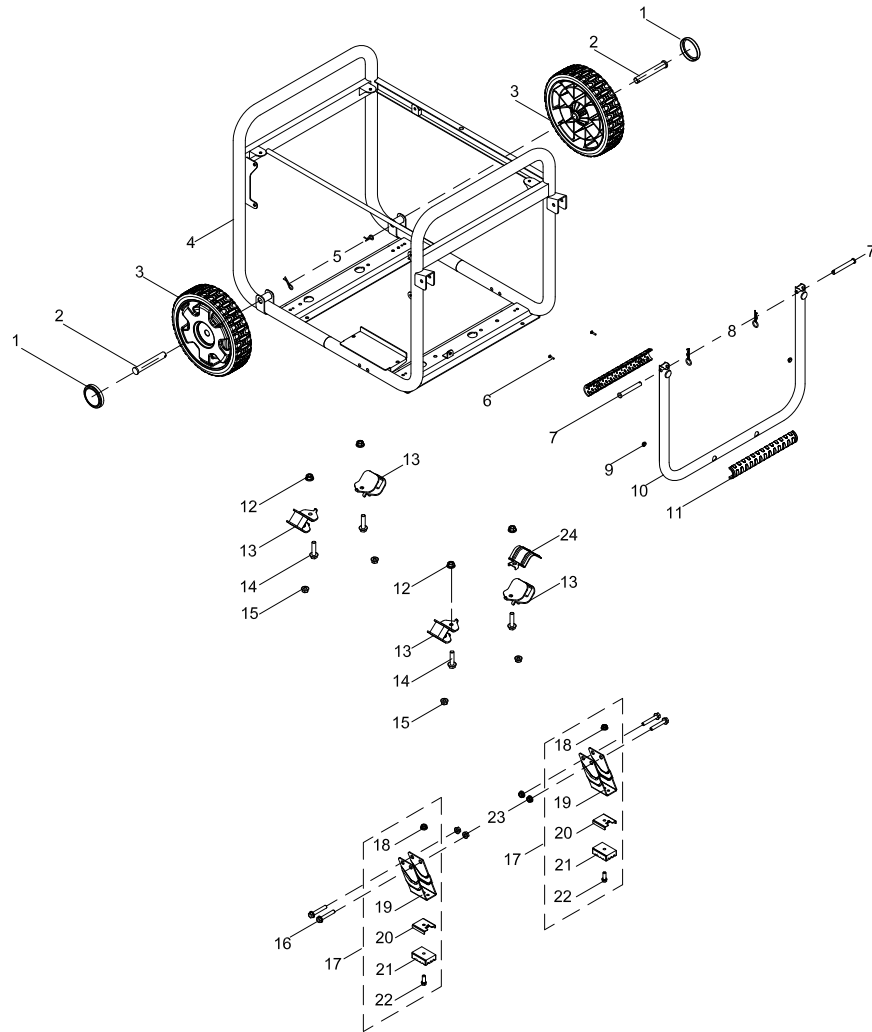


Figure H

FRAME ASSEMBLY PART LIST

#	Part Number	Description	Qty.
1	100712243-0001	Cover, Wheel, Yellow	2
2	100011064-0001	Roll Pin Ø16 x 100	2
3	100163346-0001	9.5 In. Wheel, Yellow	2
4	100725487-0001	Frame, 32mm, 742 x 528 x 585	1
5	100023414-0002	R-pin	2
6	100095857-0005	Flange Bolt M4 x 18	2
7	100011047-0003	Roll Pin Ø8 x 40	2
8	100714685-0001	R-pin, R5	2
9	100078853	Damping Pad, Handle	2
10	100725488-0001	Handle	1
11	100711157	Grip, Handle	1
12	100011456-0003	Flange Nut M10 x 1.25	4
13	100068992	Vibration Mount 1	4
14	100011381-0002	Flange Bolt M10 x 1.25 x 40	4
15	100011453-0003	Lock Nut M8, Flange	4
16	100011330-0001	Flange Bolt M8 x 48	4
17	100163347-0001	Support Leg Assembly	2
18	100011452-0003	Lock Nut M6, Flange	2
19	100711874-0001	Support Leg	2
20	100068623-0001	Stop Block	2
21	100058956	Vibration Mount, Support Leg	2
22	100011266-0004	Flange Bolt M6 x 20	2
23	100011453-0002	Flange Nut M8, GB6177.1	4
24	100021029	Heat Shield	1

WIRING DIAGRAM

