

SINGLE YOKE CONTROLLER

KEY FEATURES

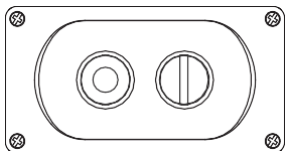


- Easily mounted to wall.
- Control each fan individually
- Canarm supplies you with 100 ft. of 6-core cable for installation
- Operate your fans in either forward (cooling) or reverse (destratification)
- Manually control each fan's speed.

TECHNICAL SPECIFICATIONS

Power Supply	0-10V DC analog from VFD
Dimensions	3"W x 2"H x 5"D
Weight	0.75 lb.
Language Protocol	0-10v signal
User Interface	Rotary dial
Enclosure	ABS plastic
Fans/Control	Single fan control
Power Consumption	0.5W
Connections	6-core shielded wire (included)
Max Cable Length	100 Ft.
Rating	NEMA 4X, IP65

YOKE PACKAGE CONTENTS & ASSEMBLY



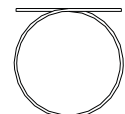
A. Single Yoke Controller (x1)



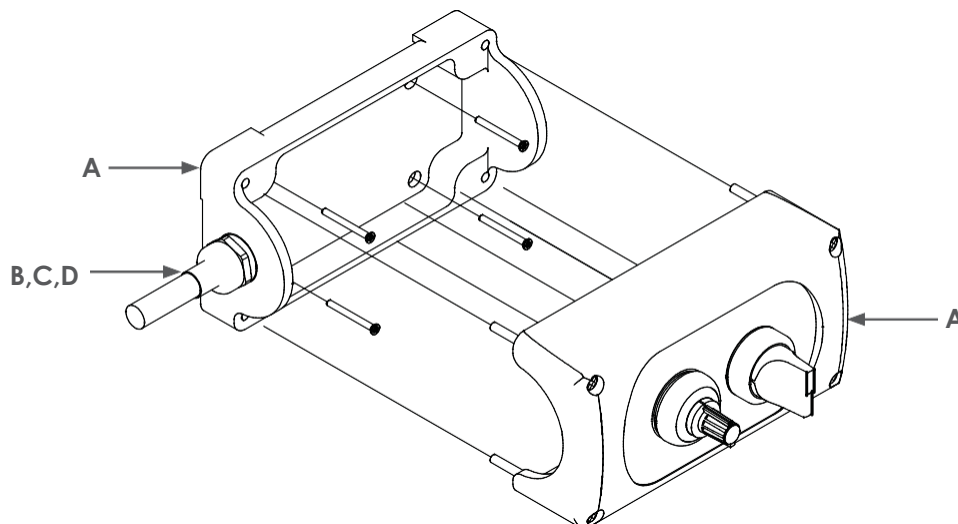
B. Strain Relief Bushing (x1)

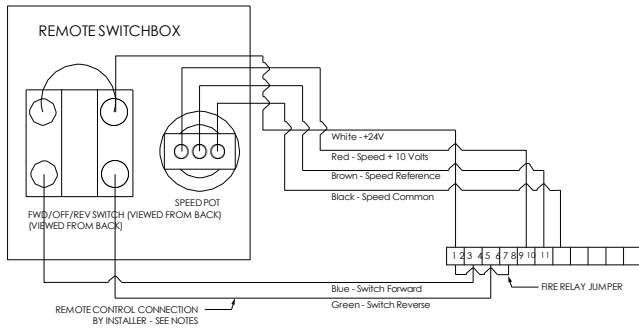
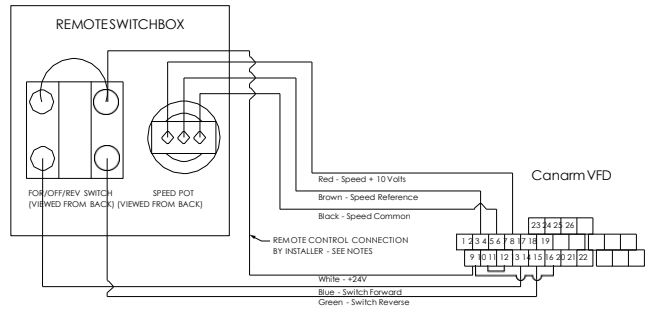
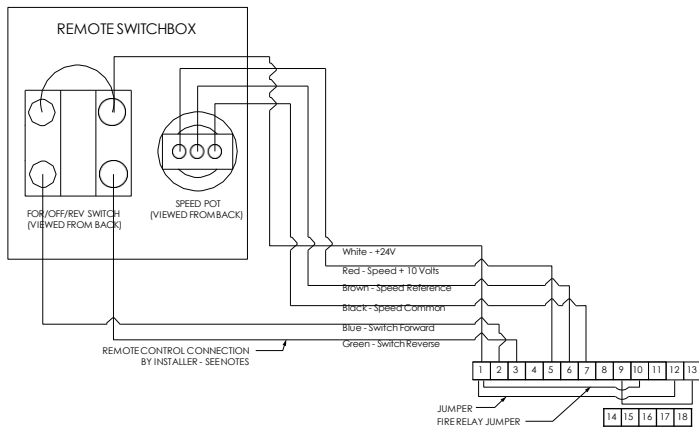
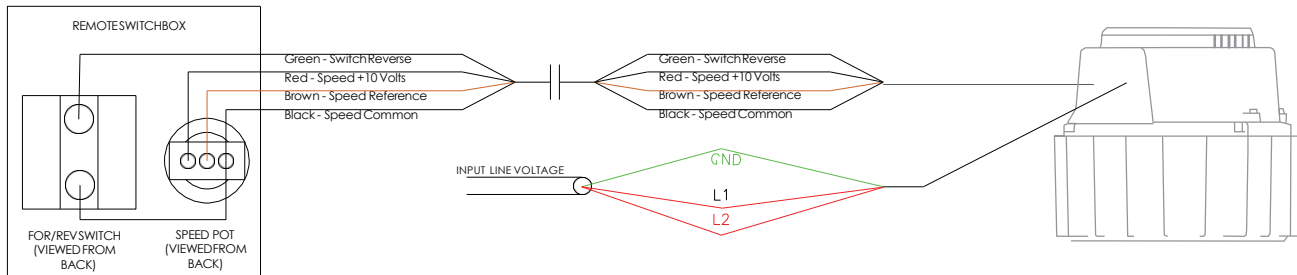


C. Heat-shrink Tubing (x1)



D. Control Cable (100 ft)



SINGLE YOKE WIRING DIAGRAM - GEARED DRIVE FAN
120V/1PH

230V/1PH, 230V/3PH, & 460V/3PH

575V/3PH

SINGLE YOKE WIRING DIAGRAM - DIRECT DRIVE FAN
120V/1PH & 230V/1PH

230V/3PH & 460V/3PH
