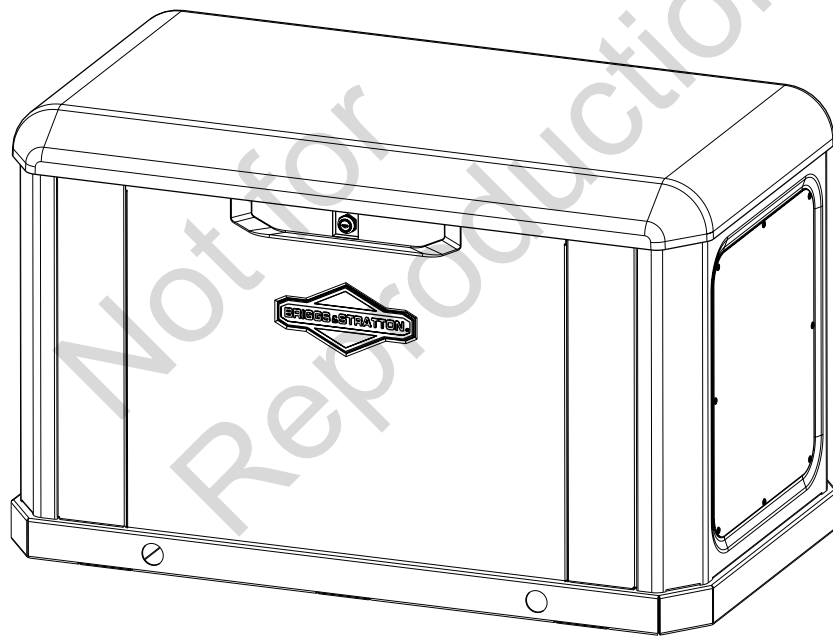




en Installation and Operation Manual

17 kW 20 kW 26 kW

en Single Phase Air-Cooled Standby Generator System



This generator is rated in accordance with UL (Underwriters Laboratories) 2200 (stationary engine generator assemblies) and CSA (Canadian Standards Association) standard C22.2 N. 100-14 (motors and generators).

# TABLE OF CONTENTS

<b>CALIFORNIA PROPOSITION 65</b> .....	<b>3</b>	Setting the Exercise Timer .....	33
<b>THANK YOU</b> .....	<b>3</b>	<b>MAINTENANCE</b> .....	<b>33</b>
<b>WHERE TO FIND BRIGGS &amp; STRATTON</b> .....	<b>3</b>	Servicing the System.....	33
<b>FOR FUTURE REFERENCE</b> .....	<b>3</b>	Maintenance Schedule .....	34
<b>IMPORTANT SAFETY INSTRUCTIONS</b> .....	<b>3</b>	Maintaining the Generator .....	34
Safety Alert Symbol and Signal Words.....	4	Cleaning the Generator .....	34
Safety Symbols and Meanings .....	4	Maintaining the Engine.....	35
Safety Messages.....	5	Changing Engine Oil and Oil Filter .....	36
FCC Part 15 Information to User .....	8	Adjusting the Valve Lash .....	36
<b>GENERAL INFORMATION</b> .....	<b>8</b>	Electronic Governor System .....	37
Equipment Description .....	8	Electronic Governing Check .....	37
Installer Responsibilities .....	8	Servicing the Spark Plugs .....	38
Owner Responsibilities .....	8	Engine Air Cleaner .....	39
Installation Factors to Consider .....	9	Maintaining the Exhaust System .....	39
Delivery Inspection .....	9	Maintaining the Fuel System .....	39
Shipment Contents.....	9	Mixer and Throttle Control Device.....	40
<b>GENERATOR PLACEMENT</b> .....	<b>9</b>	Alarms (Service Code Detection System).....	40
Generator Location Considerations.....	10	Acknowledging and Resetting the Alarms (Service Code Detection System) .....	40
Reducing the Risk of Carbon Monoxide Poisoning...10		Maintaining the Electrical System.....	40
Reducing the Risk of Fire.....	14	<b>TROUBLESHOOTING</b> .....	<b>43</b>
Federal and International Standards .....	15	Troubleshooting.....	43
Other General Location Guidelines.....	16	<b>DRAWINGS AND SCHEMATICS</b> .....	<b>45</b>
<b>INSTALLATION</b> .....	<b>16</b>	<b>SPECIFICATIONS</b> .....	<b>46</b>
Lifting the Generator .....	16	Generator Specifications .....	46
Cold Weather Kit.....	17	Engine Specifications .....	46
Anchoring and Wind Rating.....	17		
Electrical and Fuel Inlet Locations.....	18		
Access Panels .....	18		
Fuel Installation Plan.....	19		
Electrical Field Connections .....	23		
Final Installation Considerations.....	27		
System Controller .....	28		
Initial Start-Up (No Load).....	28		
<b>OPERATION</b> .....	<b>30</b>		
Controls .....	30		
Important Owner's Considerations .....	32		
Automatic Operation Sequence.....	33		



## CALIFORNIA PROPOSITION 65

**⚠ WARNING** This product can expose you to chemicals including used engine oil, which is known to the State of California to cause cancer, and carbon monoxide, which is known to the State of California to cause birth defects or other reproductive harm. For more information go to [www.P65Warnings.ca.gov](http://www.P65Warnings.ca.gov).

## THANK YOU

Thank you for purchasing this quality-built Briggs & Stratton® generator. We are pleased that you have placed your confidence in the Briggs & Stratton brand. When operated and maintained according to the instructions in this manual, your generator can provide many years of dependable service.

This manual contains safety information to make you aware of the hazards and risks associated with standby generators and how to avoid them. This product is designed only for use as an optional generator system. It provides an alternate source of electric power and serves loads such as heating, refrigeration systems, and communication systems that, when stopped during any power outage, could cause discomfort or inconvenience.

**SAVE THESE INSTRUCTIONS.** This manual contains important instructions that users must obey during installation, operation, and maintenance of the generator and battery.

**This generator system requires professional installation before use.** The installer must obey the instructions completely.

## WHERE TO FIND BRIGGS & STRATTON

Users never have to look far to find support and service for a generator. Many authorized service dealers worldwide provide quality service. Owners can also contact Customer Service by phone at 800-732-2989 between 8:00 a.m. and 5:00 p.m. central time or click on "Dealer Locator" at [www.briggsandstratton.com](http://www.briggsandstratton.com), which provides a list of authorized dealers.

## FOR FUTURE REFERENCE

Fill out the following information and keep it with the receipt. Keep this information at hand to contact the installer or authorized dealer in the future regarding service or repair of the unit.

Date of Purchase: \_\_\_\_\_

Dealer/Retailer: \_\_\_\_\_

Dealer's/Retailer's Phone Number: \_\_\_\_\_

### GENERATOR:

Model Number: \_\_\_\_\_

Model Revision: \_\_\_\_\_

Serial Number: \_\_\_\_\_

### ENGINE:

Model Number: \_\_\_\_\_


Serial Number: \_\_\_\_\_

## IMPORTANT SAFETY INSTRUCTIONS

Briggs & Stratton has made every effort to ensure that the information in this manual is accurate and current. However, Briggs & Stratton reserves the right to change, alter, or otherwise improve the product and this document at any time without prior notice.

The manufacturer cannot possibly anticipate every circumstance that could involve a hazard. The warnings in this manual, and the tags and decals affixed to the unit are, therefore, not all-inclusive. If using a procedure, work method, or operating technique that the manufacturer does not recommend, ensure that it is safe for you and others. Also ensure that the chosen procedure, work method, or operating technique does not render the generator system unsafe.

## Safety Alert Symbol and Signal Words

 The safety alert symbol identifies safety information about hazards that can result in personal injury. A signal word (**DANGER**, **WARNING**, or **CAUTION**) accompanies the alert symbol to indicate the likelihood and the potential severity of injury. In addition, a hazard symbol may represent the type of hazard.




**! DANGER** Indicates a hazard that, if not avoided, will result in death or serious injury.



**! WARNING** Indicates a hazard that, if not avoided, could result in death or serious injury.

**! CAUTION** indicates a hazard that, if not avoided, could result in minor or moderate injury.

**NOTICE** Indicates information considered important but not hazard-related.


## Safety Symbols and Meanings

SYMBOL	MEANING
	Safety alert symbol. Indicates a potential personal injury hazard.
	Read the manual. Failure to obey warnings, instructions, and <i>Installation and Operation Manual</i> could result in death or serious injury.
	Fire


	Explosion
	Electric Shock
	Toxic Fumes
	Wear Eye Protection
	Hazardous Chemical
	Hot Surface
	Auto Start

## Safety Messages

**WARNING**  Failure to read and obey the *Operator's Manual*, all warnings, and operating instructions could result in death or serious injury.

**WARNING**  Engine exhaust contains carbon monoxide, a poisonous gas that could kill you in minutes. You cannot smell it, see it, or taste it. Even if you do not smell exhaust fumes, you could still be exposed to carbon monoxide gas.

- Operate this product **ONLY** outdoors in an area that will not accumulate deadly exhaust gas.
- Direct exhaust gas away from any windows, doors, ventilation intakes, soffit vents, crawl spaces, open garage doors, or other openings that can allow exhaust gas to enter inside or be drawn into a potentially occupied building or structure.
- Carbon monoxide detector(s) **MUST** be installed and maintained indoors according to the manufacturer's instructions and recommendations. Smoke alarms cannot detect carbon monoxide gas.
- If you start to feel sick, dizzy, or weak, or the carbon monoxide alarm sounds while using this product, get to fresh air right away. Call emergency services. You may have carbon monoxide poisoning.

**WARNING**  Storage batteries give off explosive hydrogen gas during recharging. The slightest spark could ignite hydrogen and cause an explosion, resulting in death or serious injury.

- **DO NOT** dispose of the battery in a fire. Recycle the battery.
- **DO NOT** allow any open flame, spark, heat, or lit cigarette during and for several minutes after charging a battery.

**WARNING**    Battery electrolyte fluid contains acid and is extremely caustic. Contact with battery contents could cause severe chemical burns.

- **DO NOT** open or mutilate the battery.
- Wear protective goggles, a rubber apron, rubber boots, and rubber gloves.
- Immediately wash electrolyte from skin with water.
- If electrolyte contacts eyes, immediately flush with water and seek medical attention.
- Wash spilled electrolyte with an acid-neutralizing agent.

**WARNING**   A battery's high short-circuit current could result in serious injury.

- Remove watches, rings, or other metal objects.
- Use tools having insulated handles.
- Disconnect the charging source prior to connecting or disconnecting battery terminals.
- Do not lay tools or metal parts on top of batteries.
- Disconnect the negative (-) cable at the battery during installation and maintenance.

**WARNING**   Failure to isolate the generator from the utility power could result in death or serious injury to electric utility workers due to the backfeed of electrical energy.

- Use a listed transfer switch to connect to a building's electrical system.

**WARNING**   Generator voltage could cause electrical shock or burns, resulting in death or serious injury.

- A licensed professional must perform the installation.
- Disconnect all sources of electricity before installing or servicing equipment.
- Ground the system before applying power.

**⚠ WARNING****Hazardous Voltage -**

Installing low- and high-voltage wire in the same conduit could cause electric shock or burns, resulting in death or serious injury.

- Do not run low- and high-voltage wire in the same conduit unless the insulation rating on ALL wiring is rated for 600V. See National Fire Protection Association (NFPA) 70 for more information.

**⚠ WARNING****Exhaust heat/gases could**

ignite combustibles or structures, resulting in death or serious injury.

- The exhaust outlet of the enclosure must have at least 5 ft (1.50 m) minimum clearance from any structure, shrubs, trees, or any kind of vegetation.
- An enclosure must be at least 5 ft (1.50 m) from windows, doors, any wall opening, shrubs, or vegetation over 12 inches (30.50 cm) in height.
- An enclosure must have a minimum of 5 ft (1.50 m) overhead clearance from any structure, overhang, or trees.
- DO NOT place enclosure under a deck or other type of structure that may confine airflow.
- Smoke detector(s) MUST be installed and maintained indoors according to the manufacturer's instructions. Carbon monoxide alarms cannot detect smoke.
- Do not place an enclosure in a manner other than shown in illustrations.

**⚠ WARNING****Exhaust heat/gases could**

ignite combustibles and cause a fire, resulting in death or serious injury.

- Remove all combustible materials from the inside of the generator compartment and the surrounding area.

**⚠ WARNING****Gaseous vapors are**

extremely flammable and explosive. Fire or explosion can cause severe burns or death.

- Never start and run the engine with the air cleaner assembly (if equipped) or the air filter (if equipped) removed.

**⚠ WARNING**

With the battery connected, the generator may crank and start without warning, resulting in death or serious injury.

- Do not connect the negative (-) cable at the battery until the installation is complete.
- Before servicing the generator, stop the generator and disconnect the negative (-) cable at the battery.

**⚠ WARNING**

Hazardous Voltage - Contact with power lines could cause electric shock or burns, resulting in death or serious injury.

- If using lifting or hoisting equipment, DO NOT contact any power lines.
- DO NOT lift or move the generator without assistance.

**⚠ WARNING**

Propane and natural gas are extremely flammable and explosive, which could cause burns, fire, or explosion, resulting in death or serious injury.

- A licensed professional must perform the installation.
- Install the fuel supply system according to NFPA 37 and other applicable fuel-gas codes.
- Before placing the generator into service, the fuel system lines must be properly purged and leak-tested.
- NO leakage is permitted.
- DO NOT operate the engine if you smell fuel.
- The generator features an automatic safety gas fuel shut-off valve.
- DO NOT operate equipment if the shut-off valve is missing or inoperative.
- Liquefied Petroleum (LP) gas is heavier than air and settles in low areas.
- Natural gas is lighter than air and collects in high areas.
- The slightest spark could ignite these fuels and cause an explosion.
- DO NOT light a cigarette and DO NOT smoke.
- Inspect the fuel system periodically.

**⚠ WARNING**  **Generator voltage could cause electrical shock or burns, resulting in death or serious injury.**

- **DO NOT allow unqualified people to operate or service the generator.**

**⚠ WARNING**   **Unintentional sparking could cause fire or electric shock, resulting in death or serious injury.**

**WHEN ADJUSTING OR MAKING REPAIRS TO YOUR WHEN GENERATOR -**

- **Disconnect the spark plug wire from the spark plug and place the wire where it cannot contact the spark plug.**

**WHEN TESTING FOR ENGINE SPARK -**

- **Use an approved spark plug tester.**
- **DO NOT check for spark with the spark plug removed.**

**NOTICE**

*Improperly treating the generator could damage it and shorten its life.*

- Operate the generator only for intended uses.
- If you have questions about intended use, contact the authorized dealer.
- Operate the generator only on level surfaces.
- Adequate, unobstructed flow of cooling and ventilating air is critical to proper generator operation.
- The access panels/doors must be installed whenever the unit is running.
- DO NOT expose the generator to excessive moisture, dust, dirt, or corrosive vapors.
- Remain alert at all times while working on this equipment. Never work on this equipment if experiencing physical or mental fatigue.
- DO NOT insert any objects through the cooling slots.
- DO NOT use the generator or any of its parts as a step. Stepping on the unit could cause stress and break parts. This damage may result in dangerous operating conditions from leaking exhaust gases, fuel leakage, oil leakage, etc.
- Shut off the generator if:
  - Electrical output is lost.
  - Equipment sparks, smokes, or emits flames.
  - The unit vibrates excessively or makes unusual noises.

## FCC Part 15 Information to User

Pursuant to part 15.21 of the FCC Rules, beware that changes or modifications to the product not expressly approved by Briggs & Stratton could void your authority to operate the product.

This device complies with part 15 of the FCC Rules.

Operation of this unit is subject to the following two conditions:

1. This device may not cause harmful interference, and
2. This device must accept any interference received, including interference that may cause undesired operation.

This equipment has been tested and found to comply with the limits for a Class B digital device, pursuant to part 15 of the FCC Rules. These limits are designed to provide reasonable protection against harmful interference in a residential installation. This equipment generates, uses, and can radiate radio frequency energy and, if not installed and used in accordance with the instructions, may cause harmful interference to radio communications. However, there is no guarantee that interference will not occur in a particular installation. Turn this equipment on and off to determine if it causes harmful interference to radio or television reception. If the user discovers harmful interference, the user should try to correct the interference by taking one or more of the following steps:

- Reorient or relocate the receiving antenna.
- Increase the separation between the equipment and the receiver.
- Connect the equipment into an outlet on a circuit, ensuring that the circuit is not the same one that the receiver uses.
- Consult the dealer or an experienced radio/TV technician for help.

## GENERAL INFORMATION

For most applications, the *Installation and Operation Manual* contains all the information required to correctly install, operate, and maintain the generator. Briggs & Stratton has made every effort to ensure that the information in this manual is accurate and current. However, Briggs & Stratton reserves the right to change, alter, or otherwise improve the product and this document at any time without prior notice.

## Equipment Description

### NOTICE

*This product does NOT qualify for either an emergency standby or legally required standby system as defined by NFPA 70 (NEC).*

- Emergency generator systems are intended to automatically supply illumination and/or power to designated areas and equipment during the failure of the normal supply. Emergency systems can also provide power for such functions as ventilation where essential to maintain life, where current interruption of the normal supply would produce serious life, safety, or health hazards.
- Legally required standby generator systems are intended to automatically supply power to selected loads during the failure of the normal source (which can create hazards, hamper rescue, or hinder fire-fighting operations).

## Installer Responsibilities

- Read and obey the safety instructions.
- Install only a listed transfer switch that is compatible with the generator.
- Read and obey the instructions in this *Installation and Operation Manual*.
- Installation must strictly comply with all applicable codes, industry standards, laws, and regulations.
- Allow sufficient room on all sides of the generator for maintenance and service.
- Discuss the generator placement with the owner.
- Give the *Quick Operation Manual* (part number: 80103363) to the owner after the installation has been completed.

## Owner Responsibilities

- Read and obey the instructions in this *Installation and Operation Manual*.
- Follow a regular schedule for maintaining and using the generator, as specified in this manual.
- Carbon monoxide detector(s) **must** be installed and maintained indoors according to the manufacturer's instructions and recommendations. Smoke alarms cannot detect carbon monoxide gas.
- Smoke detector(s) **must** be installed and maintained indoors according to the manufacturer's instructions and recommendations. Carbon monoxide alarms cannot detect smoke.





## Installation Factors to Consider

The illustrations shown in this manual depict typical circumstances. They are meant to familiarize you with the installation options available for the generator.

Always consider installation factors such as federal and local codes, appearance, noise levels, fuel types, and distances. As the distance increases from the existing electrical service and gaseous fuel supply, and the number of bends in the fuel supply increases, installers must make compensations for piping and wiring materials. These compensations are necessary to comply with local codes and overcome drops in electrical voltage and drops in gaseous fuel pressure.

## Delivery Inspection

Avoid damage from dropping, bumping, or colliding with the shipping carton.

After removing the carton, carefully inspect the generator for any damage that may have occurred during shipment.

If an owner discovers loss or damage at the time of delivery, the owner should ask the person(s) making the delivery to document the loss or damage on the freight bill and affix a signature under the consignor's memo of loss or damage. If the owner notices loss or damage after delivery, separate the damaged materials and then contact the carrier for claim procedures. Missing or damaged parts are not warranted.

## Shipment Contents

The generator system includes:


- Oil (5W-30 Full synthetic)
- Status LED
- Flexible fuel line
- Fuel pipe coupling
- *Quick Operation Manual*
- Product and emissions warranty booklet
- Two access keys
- 15-amp ATO-type fuse
- Four lifting hole caps
- Touch-up paint

The generator system does not include (An owner needs):

- Carbon monoxide detector(s)
- Smoke detector(s)
- Starting battery
- Connecting wire and conduit
- Fuel supply valves and plumbing
- Crane, lifting straps, chains, or cables
- Two 60-inch (152 cm) lengths of 3/4-inch (1.90 cm) nominal minimum Schedule 40 steel pipe (**not** conduit)
- Torque screwdriver, 5-50 inch-pound range
- Multimeter

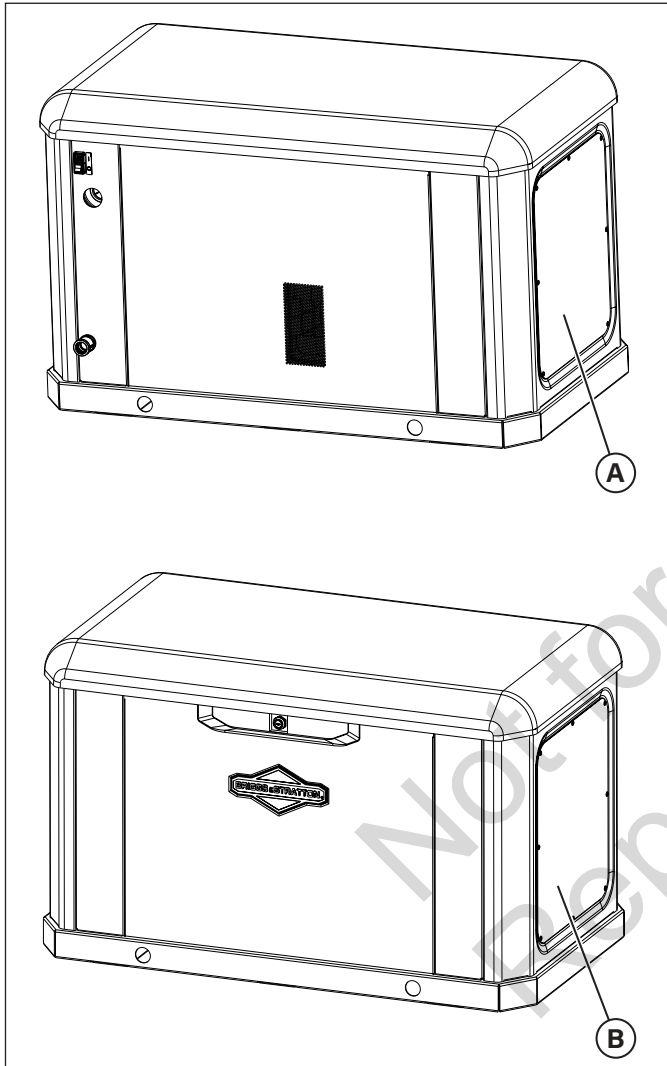
## GENERATOR PLACEMENT

Before installing the generator, consult with the homeowner and convey the following requirements, which must be satisfied before the installation is complete. Two equally important safety concerns include carbon monoxide poisoning and fire. An installer must also meet several general location guidelines before completing the installation.

**⚠ WARNING**  Engine exhaust contains carbon monoxide, a poisonous gas that could result in death or serious injury. People and animals cannot smell it, see it, or taste it. Even if you do not smell exhaust fumes, you could still be exposed to carbon monoxide gas.

- Operate this product **ONLY** outdoors in an area that does not accumulate deadly exhaust gas.
- Direct exhaust gas away from any windows, doors, ventilation intakes, soffit vents, crawl spaces, open garage doors, or other openings that can allow exhaust gas to enter inside or be drawn into a potentially occupied building or structure.
- Carbon monoxide detector(s) **MUST** be installed and maintained indoors according to the manufacturer's instructions and recommendations. Smoke alarms cannot detect carbon monoxide gas.
- If you start to feel sick, dizzy, weak, or the carbon monoxide alarm sounds while using this product, get to fresh air right away. Call emergency services. You may have carbon monoxide poisoning.

- **DO NOT** run this product inside homes, garages, basements, crawl spaces, sheds, or other partially enclosed spaces, even if using fans or opening doors and windows for ventilation. Carbon monoxide can quickly build up in these spaces and can linger for hours, even after this product has shut off.



**Figure 1**

- (A) Exhaust Outlet Side of Enclosure  
 (B) Air Inlet Side of Enclosure

## Generator Location Considerations

The installation location of the generator directly affects:

- The amount and size of the plumbing required to fuel the generator
- The amount and size of the wiring required to control and connect the generator
- The safety of the installation regarding exhaust gas and carbon monoxide hazards, fire risks, proximity to other utilities, and exposure to weather elements

The Generator Locations section addresses specific location guidelines. The owner and installer must consult one another to determine how the site can affect installation costs and compliance with local codes and standards.

Two critical safety concerns include carbon monoxide poisoning and fire.

## Reducing the Risk of Carbon Monoxide Poisoning

In high concentrations, carbon monoxide (CO) can be fatal in minutes. However, the effects of lower concentrations can also be lethal. This gas poses serious dangers to humans and their animals because no one can smell, see, or taste it. Symptoms of exposure to CO include:

- Watery, itchy eyes
- Throbbing temples
- Inability to think coherently
- Ringing in the ears
- Headache
- Incoherent or slurred speech
- Flushed appearance
- Inattentiveness
- Loss of physical coordination
- Tightness across the chest
- Drowsiness
- Nausea
- Dizziness
- Vomiting
- Fatigue
- Collapse
- Convulsions

If you (or someone nearby) suffers from any of the above symptoms, immediately seek fresh air and call for emergency medical help for possible carbon monoxide poisoning. If your carbon monoxide alarm sounds while using this product, immediately seek fresh air (even if you experience none of the previously mentioned symptoms).

## Carbon Monoxide Detectors

*Note:* Installing functioning CO alarms indoors is the only way to recognize CO gas. Common smoke alarms do not detect CO gas and will not alert occupants of its presence.

A CO detector is an electronic device that detects hazardous levels of CO. When a buildup of CO occurs, the detector will alert the occupants by sounding an alarm and by flashing a visual indicator light.

By law many states require a home to have a functioning carbon monoxide (CO) detector. You **must** install and maintain carbon monoxide detector(s) indoors according to the manufacturer's instructions and recommendations.

Contact the local building inspection division for any relevant requirements regarding the use of CO detectors. See National Fire Alarm and Signaling Code (NFPA) 72 Code and Section R315 in the International Residential Code (ICC) for additional details.

## Potential CO Entry Points

Operation Guidelines:

*Note:* Operate this product **only** outdoors and in an area that will not allow this deadly exhaust gas to collect.

Never operate this product inside homes, garages, basements, crawl spaces, sheds, under a deck, or other partially enclosed areas and understand that using fans and opening doors in these areas may not provide adequate ventilation. Carbon monoxide can quickly accumulate in these forbidden spaces and can remain in the air for several hours after this product has shut off.

Installation Guidelines:

Follow all illustrations in this manual when placing an enclosure.

Always point the generator's engine exhaust away from occupied areas. Never expose your neighbors' homes to the engine exhaust flowing from your standby generator during the installation process.

Never place the standby generator in any area where leaves or debris can accumulate.

Generator exhaust can enter through windows, doors, and other openings of a structure. Understand that exhaust and CO can seep into a structure through the smallest openings.

### Protecting the Structure

Check the structure to ensure that the sealing and caulking remains adequate enough to prevent air from leaking in or out. Examine the structure for voids, cracks, or openings surrounding windows, doors, soffits, pipes, and vents, as these areas can permit exhaust gas and CO to enter the structure.

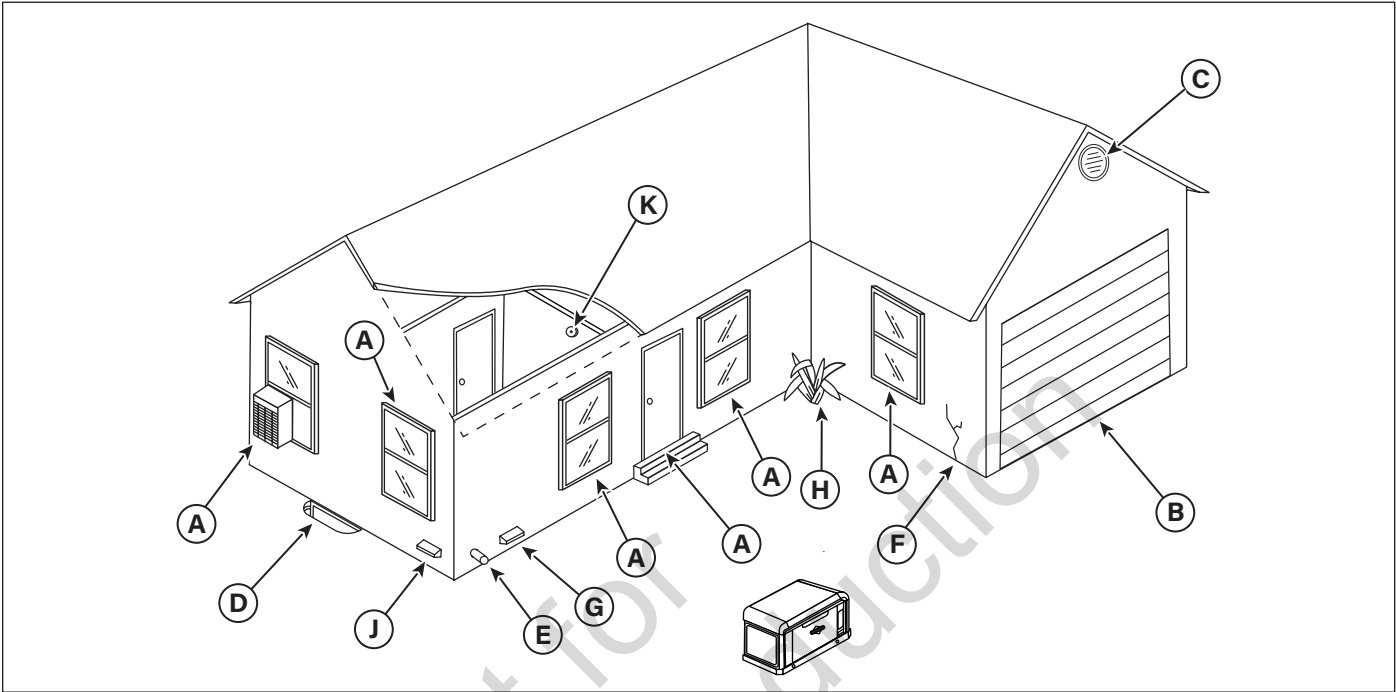


Figure 2

The following table includes some examples of potential entry points for CO gas.

LOCATION	ENTRY POINT	EXPLANATION
A	Windows and doors	Openings that are part of a structure's architecture can permit fresh air and CO into the structure, especially when open.
B	Garage door	An open or improperly unsealed garage door can allow CO to flow into a garage.
C	Attic vent	Generator exhaust can enter through attic vents and the vents for soffits, crawl spaces, and ridges or roofs.
D	Basement windows	Basement windows or hatches that permit ventilation to or from the structure's lower level also allow CO gas to enter the structure.
E	Furnace intake or exhaust vent	Air intakes and furnace exhaust pipes are common entry points for CO gas.
F	Wall cracks	Any cracks in a structure's walls, including the foundation and mortar, and any gaps around windows, doors, and pipes can let CO in.
G	Dryer vent	Sometimes the exhaust vent for the clothes dryer lets CO gas into the structure.
H	Airflow restrictions	Areas featuring structural corners and heavy vegetation restrict the airflow and collect exhaust gas.
J	Makeup air system	<i>Note:</i> Keep all mechanical and gravity outdoor air intake openings for HVAC supply air systems 10 ft (3,0488 m) horizontally from the generator's enclosure. Refer to section 401 in the ICC Mechanical Code for details on requirements.
K	Carbon monoxide detector(s)	<i>Note:</i> Installing functioning CO alarms indoors is the only way to recognize CO gas. Common smoke alarms do not detect CO gas and will not alert occupants of its presence.

Not for  
Reproduction

## Reducing the Risk of Fire

To help prevent fires, the generator must be installed a safe distance from all combustibles materials. The unit's engine, alternator, and exhaust system components can become very hot during operation. Reduce the likelihood of a fire by keeping the unit properly ventilated, properly maintained, free of fuel leaks, and away from combustibles materials. Also, flammable debris may collect within or outside the generator enclosure and may possibly ignite, causing a fire.

Federal and international standards describe the minimum safe clearances around and above the generator's enclosure.

## Distance Requirements

An owner must maintain minimum clearances around the generator enclosure. These clearances exist primarily for fire prevention, but they also ensure adequate space for maintenance tasks, such as removing the unit's front and end panels.

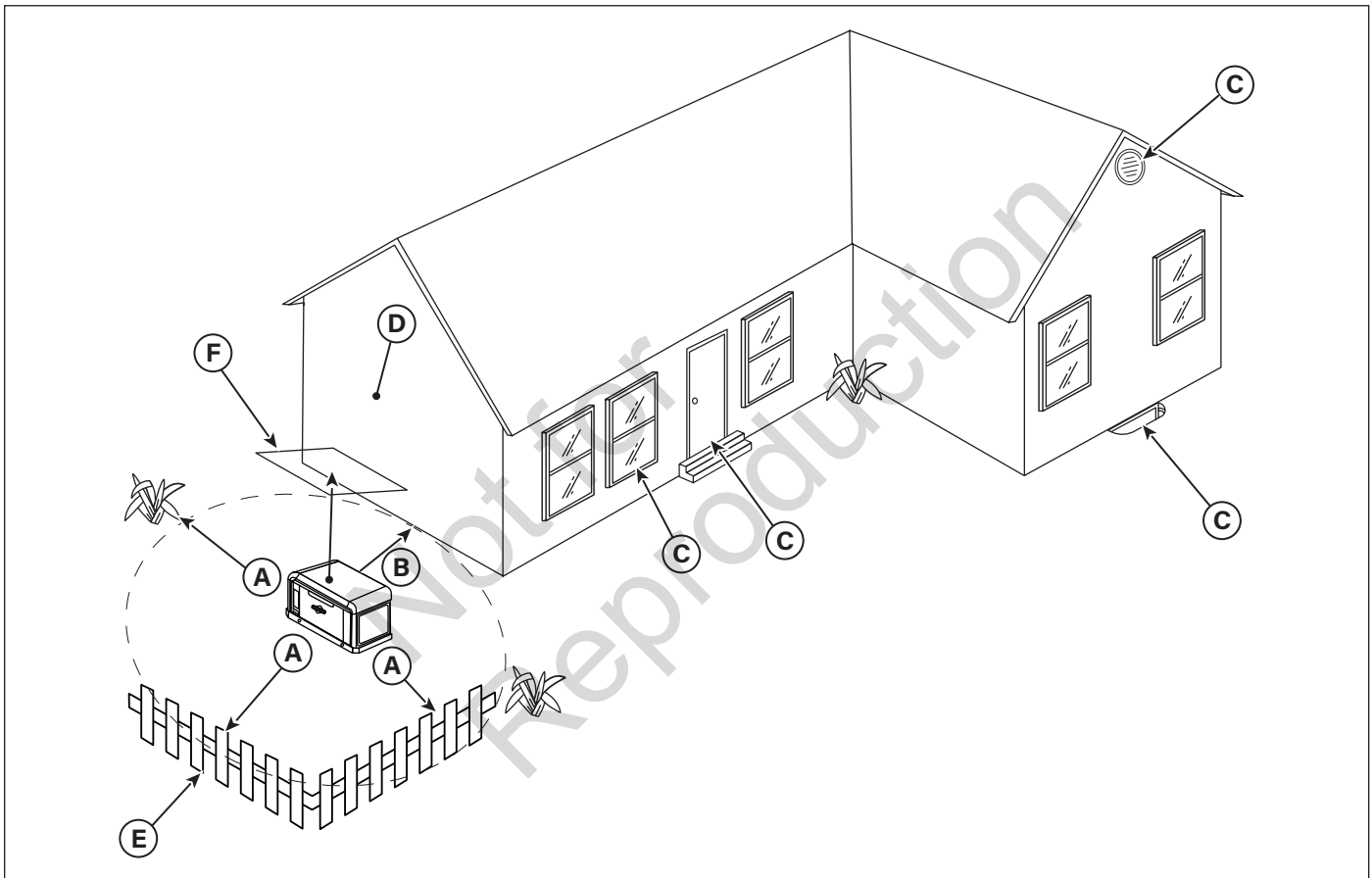


Figure 3

LOCATION	ITEM	EXPLANATION
A	Front and end clearance	Maintain a 3 ft (.91 m) minimum clearance from the front and ends of the generator. Keep shrubs, bushes, plants, and trees this same minimum distance from the unit and never use vegetation to conceal the unit.
B	Rear clearance	Since fuel and electrical connections occur here, keep 18 inches (45.70 cm) minimum clearance per independent testing laboratory, unless state codes tell you otherwise.
C	Windows, vents, and openings	Keep all operable windows, doors, vents, window wells, or openings in the wall away from the point of the generator. See Protecting the Structure section in this manual.
D	Existing wall	Keep the generator at least 18 inches (457 mm) away from existing walls.
E	Removable fence	Keep removable fences at least 3 ft (.91 m) away from the front of the generator. Removable fences include visual surrounds, fence panels, and temporary barriers without footings.
F	Overhead clearance	Maintain a 5 ft (1.52 m) minimum clearance from all structures, overhangs, and projections on a wall.
G (not shown)	Maintenance and servicing	Allow adequate space to perform routine maintenance, such as servicing the engine and replacing the battery. Never use shrubs, bushes, trees, or plants to conceal the generator.

## Federal and International Standards

Generator installation must strictly adhere to ICC, IFGC, NFPA 37, NFPA 54, NFPA 58, and NFPA 70 standards.

National Fire Protection Association (NFPA) 37: This standard addresses the installation and use of stationary combustion engines. Its requirements describe keeping an enclosed generator a specific distance from a structure or wall. This standard also requires that when you locate a generator, you provide adequate space to perform maintenance and repair tasks and space for the maneuvering of first responders.

NFPA 37, Section 4.1.4, Engines Located Outdoors: This requirement specifies that engines and their weatherproof housings (if provided) installed outdoors must remain at least 5 ft (1.52 m) from openings in walls and at least 5 ft (1.52 m) from structures with combustible walls. The standard does not require a minimum separation if the following conditions exist:

1. The structure's adjacent wall has a fire-resistance rating of at least one hour.
2. Where a fire test involving consumption of the available combustibles, within the engine or, if provided, its weatherproof housing demonstrates that a fire originating at the engine or its weatherproof housing will not ignite combustible structures.

## Annex A—Explanatory Material

A4.1.4 (2): This requirement means that demonstrating compliance involves conducting a full-scale fire test or by following calculation procedures.

This requirement concludes that due to the limited space frequently available for installation of the unit, exception (2) is beneficial for many residential and commercial installations. The manufacturer has contracted with an independent testing laboratory to conduct full-scale fire tests.

The ultimate goal of the fire testing was to determine the absolute worst fire scenario within the generator and to calculate the ignition risk of items outside the engine enclosure at specific distances. Note that the enclosure is constructed of non-combustible materials. Outcomes from independent lab tests showed that any fire that started within the generator enclosure would not pose any ignitability risk to nearby combustibles or structures for at least one hour.

Combining results from these full-scale tests and the requirements of NFPA 37, Sec 4.1.4, the guidelines for installation of the generators previously mentioned change to 18 inches (45.72 cm) from the back side of the generator to a stationary wall or building. To maintain clearance for proper maintenance and airflow, the area above the generator must be at least 5 ft (1.52 m), with a minimum of 3 ft (.91 m) at the front and ends of the enclosure. Keep trees, shrubs, plants, and bushes within these clearance requirements to prevent the obstruction of airflow. Also, note that exhaust fumes flowing from the generator could stifle plant growth. See Figure 3 for details.

## Other General Location Guidelines

- Place the standby generator in a prepared location that is flat and has provisions for water drainage.
- Install the standby generator in a location where sump pump discharge, rain gutter downspouts, roof runoff, landscape irrigation, or water sprinklers cannot flood the unit or spray the enclosure and enter any air inlet or outlet openings.
- Install the standby generator where it cannot affect or obstruct any services (including covered, concealed, and underground), such as telephone, electric, fuel (natural gas or LPG vapor), irrigation, air conditioning, cable, septic, sewer, well, etc.
- Install the standby generator where leaves, grass, snow, and other materials cannot obstruct the air inlet and outlet openings. Construct a windbreak to protect the unit if the area is prone to prevailing winds, blowing, and drifting.

## INSTALLATION

### Lifting the Generator

**⚠ WARNING** **⚡ Hazardous Voltage - Contact with power lines could cause electric shock or burns, resulting in death or serious injury.**

- If lifting or hoisting equipment is used, **DO NOT** contact any power lines.
- DO NOT** lift or move the generator without assistance.

Proper tools, equipment, and qualified personnel must be used in all phases of handling and moving the generator. The approximate weight of the generator appears in the Generator Specifications section.

Use the lifting holes (A) in the base of the generator to lift the generator onto the concrete pad. Lift the generator in accordance with the Occupational Safety and Health Administration (OSHA) or local lifting regulations. Retouch any chipped paint with the supplied touch-up paint.

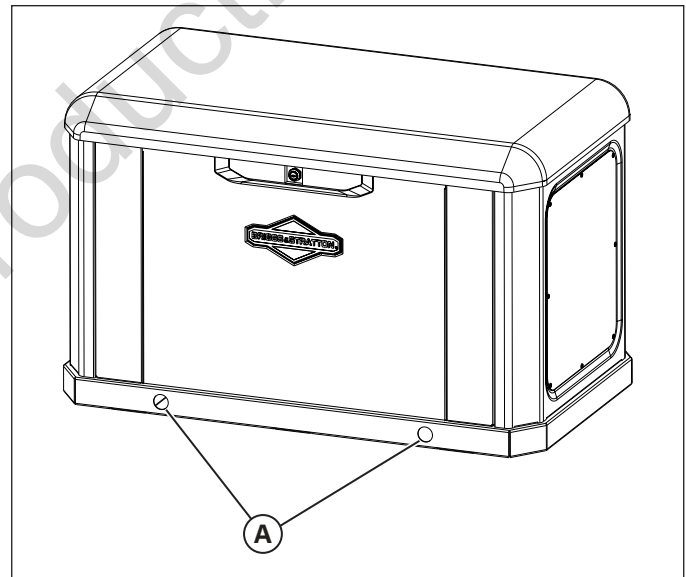


Figure 4



## Cold Weather Kit

If the generator operates in temperatures below 30° F (-1° C), Briggs & Stratton **highly recommends** that the installer install a cold weather kit.

Oil Sump Warmer Kit, Part Number 6840-00, includes:

- Oil sump warmer
- Install brackets
- Hardware
- Harness

Fuel Regulator Warmer Kit, Part Number 6845-00, includes:

- Regulator warmer
- Deflector bracket
- Harness

Battery Warmer Kit, Part Number 6869-00, includes:

- Battery warmer
- Harness

Find these items at the local service dealer.

For more information, please call **800-732-2989** between 8:00 a.m. and 5:00 p.m. CT.

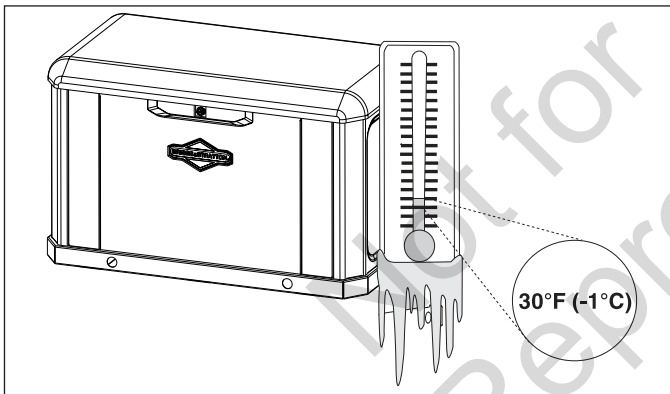


Figure 5

## Anchoring and Wind Rating

### Concrete Anchoring of Unit to Poured or Existing Slab

To achieve the listed wind rating, the generator must be installed in strict compliance with this *Installation and Operation Manual*. The product components must be of the material specified and all screws must be installed in accordance with the applicable provisions and the anchor manufacturer’s published installation instructions.

The concrete slab or pad must meet the requirements below and the generator must be anchored with one of the following anchor types.

### Anchor Types

1. Quantity (4) 3/8-inch dia. ITW Red Head Large Diameter Tapcon (LTD) with 1-1/2-inch embedment, 2-inch min. edge of concrete, and 6-inch min. spacing from neighboring concrete anchors typ. If anchor does not provide a .812-inch min. OD integrated washer out-of-box, employ (1) .812-inch min. OD washer per anchor.
2. Quantity (4) 3/8-inch dia. DeWalt Screw-Bolt+ with 1-1/2-inch embedment, 4-inch min. edge of concrete, and 6-inch min. spacing from neighboring concrete anchors typ. If anchor does not provide a .812-inch min. OD integrated washer out-of-box, employ (1) .812-inch min. OD washer per anchor.
3. Quantity (4) 3/8-inch-16 SAE Gr. 2 min. or SS bolt with .812-inch min. OD washer, typ. Ensure 1/2-inch min. thread engagement U.N.O. by bolt and/or insert manufacturer, typ.

There are four 7/16-inch hole locations (A) in the base of the generator in which to anchor the unit.

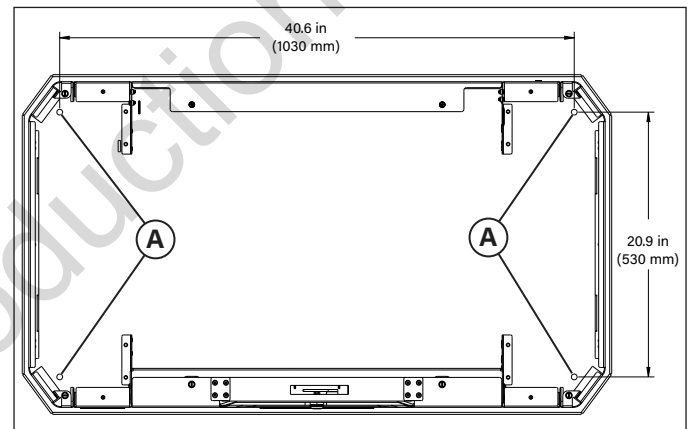


Figure 6

### Concrete Slab/Pad Types

WIND RATING MPH	ANCHOR TYPE	PAD MODEL	PAD DIMENSIONS			CONCRETE SPEC
			WIDTH	LENGTH	THICKNESS	
Up to 186 (at grade)	3	Pre-cast (contact dealer)	37 in (940 mm)	55 in (1397 mm)	4 in (102 mm)	3000 psi (20.70 MPa)
Up to 186 (at grade)	1 or 2	Poured	37 in (940 mm)	55 in (1397 mm)	4 in (102 mm)	3000 psi (20.70 MPa)

Find these items at the local service dealer.

#### NOTICE

Unless mandated by local or state codes, or required to achieve wind rating, a concrete slab or pad is not required.

## Electrical and Fuel Inlet Locations

The 3/4-inch N.P.T. fuel inlet connector (A) and electrical inlet locations (B) are shown in Figure 7.

A 1.73 inch (44 mm) knock-out hole is provided for the electrical inlet. Make sure that the installed conduit(s) enter the unit in zone (C) as shown in the drawing below so that they properly enter the electrical box and do not interfere with the fully opened roof.

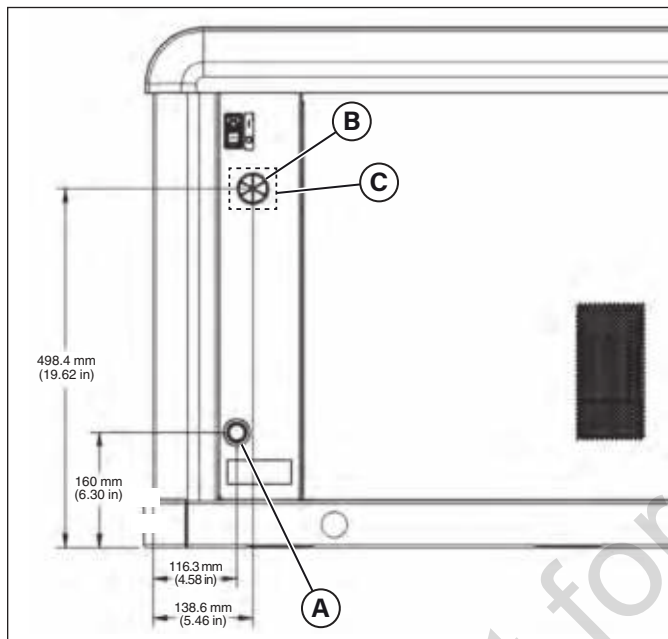


Figure 7

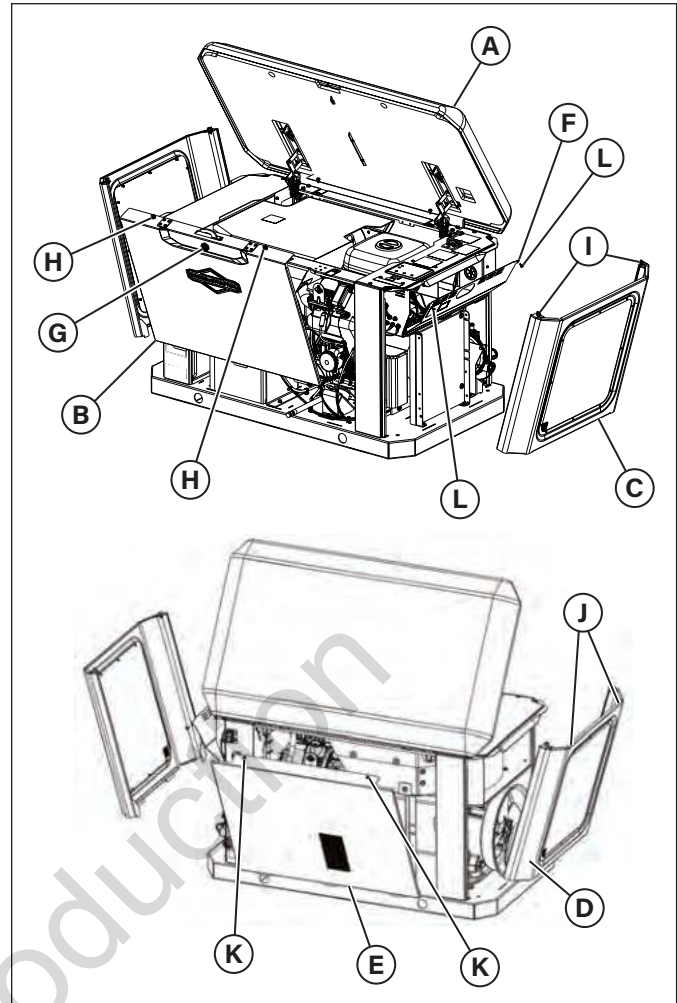


Figure 8

## Access Panels

The generator enclosure has several access panels, as shown.

The access panels and the components located behind them are listed below:

**(A)** Roof (Controller, air filter, oil dipstick, and circuit breaker)

**(B)** Front Access Panel (oil drain, oil filter, battery)

**(C)** End Cap, Controller End (control box wiring cover, fuel regulator, fuel selector, generator data label)

**(D)** End Cap, Exhaust End (alternator fan)

**(E)** Rear Access Panel (engine starter, starter relay)

**(F)** Control Box Wiring Cover (field wiring, control wiring)

Each generator ships with a set of identical keys fastened to the fuel solenoid.

### Opening the roof (A):

1. Insert the key into the lock (G) of the front panel (B). Gently push down on the roof above the lock to assist in turning the key. Turn the key one quarter turn clockwise.
2. Lift the roof (A) to the OPEN position.

### Removing the front panel (B):

1. Loosen two self-retaining fasteners (H) that secure the panel to the unit.
2. Lift the panel to remove it from the unit.

### Attaching the front panel (B):

1. Place the panel into the unit, aligning the tabs on the panel into the slots on the base.
2. Tighten the two self-retaining fasteners (H) that secure the panel to the unit.

**Removing the end cap, controller end (C):**

1. Loosen two self-retaining fasteners (I) that secure the end cap to the unit.
2. Lift the end cap to remove it from the unit.

**Attaching the end cap (C):**

1. Place the end cap into the unit, aligning the tabs on the end cap into the slots on the base.
2. Tighten the two self-retaining fasteners (I) that secure the panel to the unit.

**Removing the end cap, exhaust end (D):**

1. Loosen two self-retaining fasteners (J) that secure the end cap to the unit.
2. Lift the end cap to remove it from the unit.

**Attaching the end cap, exhaust end (D):**

1. Place the end cap into the unit, aligning the tabs on the end cap into the slots on the base.
2. Tighten the two self-retaining fasteners (J) that secure the panel to the unit.

**Removing the rear panel (E):**

1. Using a Phillips head screw driver, loosen two self-retaining fasteners (K) that secure the panel to the unit.
2. Using a standard blade screw driver, gently lift the rear panel lip off of the back rail.
3. Tip the rear panel back under the roof (A).
4. Move to the back of the unit and lift the rear panel off.

**Attaching the rear panel (E):**

1. Move to back of unit and place rear panel into the unit, aligning the tabs on the panel into the slots on the base.
2. Tip the rear panel forward under the roof (A).
3. From the front or side of the unit, align the fasteners (K) and tighten with a Phillips head screw driver.

**Removing the control box wiring cover (F):**

1. Remove two fasteners (L) that secure the control box wiring cover to the control box.
2. Tip the control box wiring cover down to access field and control wiring.

**Attaching the control box wiring cover (F):**

1. Tip the control box wiring cover up.
2. Attach the control box wiring cover with the two fasteners (L).

**Fuel Installation Plan****⚠ WARNING**

**Propane and natural gas are extremely flammable and explosive, which could cause burns, fire, or explosion, resulting in death or serious injury.**

- **A licensed professional must perform the installation.**
- **Install the fuel supply system according to NFPA 72 and other applicable fuel-gas codes.**
- **Before placing the generator into service, properly purge and leak-test the fuel system lines.**
- **NO leakage is permitted.**
- **DO NOT operate the engine if you smell fuel.**

**NOTICE**

*DO NOT install the supplied flexible fuel line underground or in contact with the ground.*

- *Keep the entire flexible fuel line visible for periodic inspection. Do not conceal it or run it within any wall, floor, or partition. Never let the line contact these structures.*

The following information addresses the planning phase of installations for technicians specializing in gaseous fuel systems. Always obey the local applicable fuel-gas codes affecting the installation site. Consult your local fuel supplier or fire marshal with any questions or problems.

**WARNING**   **Propane and natural gas are extremely flammable and explosive, which could cause burns, fire, or explosion, resulting in death or serious injury.**

- The generator features an automatic safety gas fuel shut-off valve.
- **DO NOT** operate equipment if the shut-off valve is missing or inoperative.
- Liquefied Petroleum (LP) gas is heavier than air and settles in low areas.
- Natural gas is lighter than air and collects in high areas.
- The slightest spark could ignite these fuels and cause an explosion.
- **DO NOT** light a cigarette and **DO NOT** smoke.

**TO THE INSTALLER:** Consult with the generator owner(s) and address any technical considerations affecting their installation plans before applying these guidelines.

The following general rules apply to piping on gaseous fuel systems:

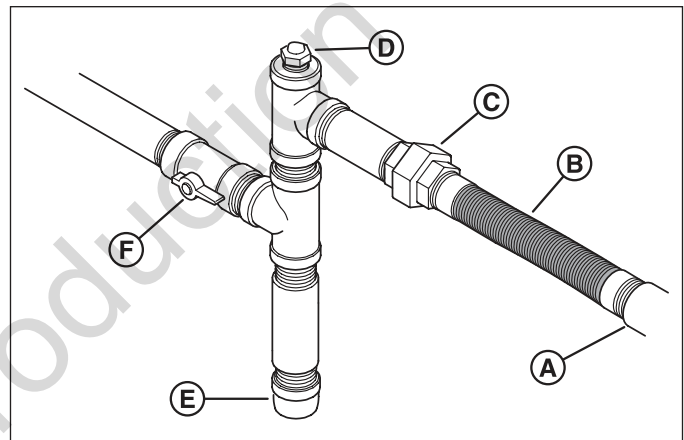
- The piping material must follow federal and local codes, with rigid mounting and protection against vibration.
- Protect piping from physical damage, especially where it passes through flower and shrub beds and other cultivated areas where damage can occur.
- Install the provided flexible fuel line (B) between the generator fuel inlet port (A) and the rigid piping to prevent excessive stress on the piping material due to thermal expansion and contraction.
- Provide a union (C) or flanged connection downstream to allow for future removal.
- Install a manometer test port (D) for vapor fuels. Use the port to install a manometer and check if the engine receives the proper fuel pressure adequate for operation. See the service center for a digital or analog manometer designed for vapor fuels only (part number 19495). After completing the initial test runs, remove the manometer and plug the port.
- For vapor fuels only: Protect piping from freezing in areas that are prone to the formation of hydrates or ice. When terminating hard piping, use a sediment trap (E) where condensate liquid cannot likely freeze.
- Install a minimum of one accessible, approved manual shut-off valve (F) in the fuel supply line within 6 ft (1.8 m) of the generator.

- Install a manual shut-off valve in the interior of the building.
- Increase strength and flexibility of the piping supports and connections in areas prone to earthquakes, tornados, flood hazards, and unstable ground.
- Ensure that the size of the piping is adequate enough to maintain the required supply pressures and volume flow under varying generator load conditions, with all gas appliances connected to the fuel system turned on and operating.
- Use a pipe sealant or joint compound approved for use with natural gas/liquefied petroleum on all threaded fittings to reduce the possibility of leakage.

**NOTICE**

Keep thread sealant out of the gas piping to prevent damage to component parts.

- Properly purge and leak-test piping according to applicable codes and standards.



**Figure 9**

- (A) Generator Fuel Inlet
- (B) Flexible Fuel Line
- (C) Union Fitting
- (D) Manometer Test Port
- (E) Sediment Trap
- (F) Manual Shut-off Valve

## Fuel Consumption

The following chart shows estimated fuel supply requirements at half and full load for natural gas and liquefied petroleum vapor fuels.

### NG Fuel

		17 kW	20 kW	26 kW
1/2 Load	BTU/hr	170,000	187,000	206,000
	ft <sup>3</sup> /hr	170	187	206
Full Load	BTU/hr	248,000	260,000	323,000
	ft <sup>3</sup> /hr	248	260	323

### LP Fuel

		17 kW	20 kW	26 kW
1/2 Load	BTU/hr	185,000	208,000	235,000
	ft <sup>3</sup> /hr	74	83	94
	gal/hr	2.10	2.30	2.60
Full Load	BTU/hr	295,000	338,000	427,000
	ft <sup>3</sup> /hr	118	135	171
	gal/hr	3.30	3.70	4.70

Physical Properties	LP Vapor	Natural Gas
Normal Atmospheric State	Gas	Gas
Boiling Point (°F)	-44	-259
Heating Value:		
BTU per gallon (Net LHV*)	83,340	63,310
BTU per gallon (gross**)	91,547	
BTU per cubic feet (gas)	2,500	1,000
Density***	36.39	57.75
Weight†	4.24	2.65

\* LHV (Low Heat Value) is the more realistic rating.

\*\* Gross heat value does not consider heat lost in the form of water during combustion.

\*\*\* Density is given in "Cubic Feet of Gas per Gallon of Liquid."

† Weight is given in "Pounds per Gallon of Liquid."

## Fuel Type

Consider the type of fuel that your generator uses, as it affects the entire installation process. The system was factory tested and adjusted using natural gas, but it can be converted to use liquefied petroleum vapor. For correct engine function, consider factors that affect each of these fuels, such as the location and the duration of possible utility interruptions. Follow these guidelines when choosing fuel type:

- Use clean, dry fuel that is free of moisture or any particulate material. Using fuels outside the recommended values can cause performance problems.
- In engines set up to run on propane (liquefied petroleum), only use commercial-grade HD-5 propane.

Natural gas or LP engines are certified to operate on natural or liquid propane gas. The emissions control system for this engine is EM (Engine Modifications).

## Fuel Pressure

Both LP vapor and natural gas fuel supply pressure at the generator's fuel inlet port must be a minimum value at full load with all gas appliances turned on and in operation.

Natural Gas must be 3.5-7 inches Water Column (WC).

Liquefied Petroleum must be 11-14 inches WC.

Ensure that all gas line shut-off valves are OPEN and that adequate fuel pressure is available whenever automatic operation is needed.

## Power Loss

Air density decreases at high altitudes, resulting in less available engine power. Engine power can decrease by 4.8% for each 1000 ft (305 m) above rated altitude of 800 ft (250 m) and by 1.1% for each 10° F (5.6° C) above 77° F (25° C). Adjust the transfer switch of any generator located in an area affected by high altitudes and drops in power. See the *Automatic Transfer Switch Manual* for details on the process of adjusting for a power decrease.

## The Gaseous Fuel System

### Fuel Pipe Sizing

An installer commonly uses NFPA 54 and 58 as resources on this topic. The installer must consider the specific gravity of gas, compensate for a nominal amount of restriction from bends and fittings, and refer to federal and local codes for guidance.

### Fuel Conversion

The engine of your home generator system is factory calibrated and set to operate on natural gas, but it can also operate on liquefied petroleum vapor.

#### NOTICE

*Units are set to NG at the factory.*

To convert to either fuel, follow these steps:

1. Put the key into the lock of the front panel. Lightly push down on the roof above the lock, and then turn the key one quarter turn clockwise.
2. Lift the roof to the OPEN position.
3. Push the controller OFF button.
4. Remove the 15-amp fuse in the fuse holder below the controller.
5. Remove utility power to the generator to de-energize the battery charger.
6. Disconnect the negative (-) cable at the battery.
7. Remove the end cap controller end.
8. Find the fuel selector valve (A) on top of the fuel regulator (B). See Figure 10.

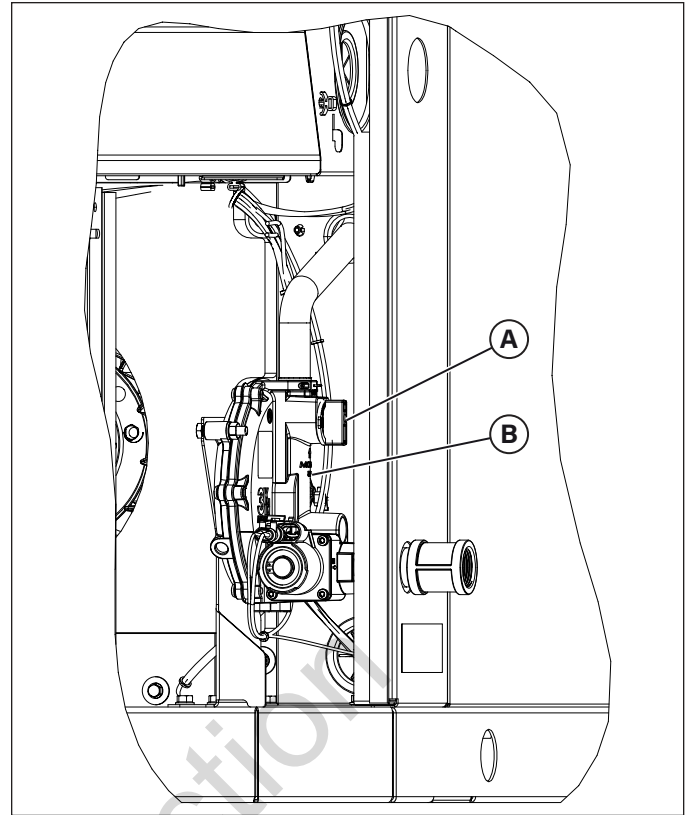


Figure 10

9. To set the fuel selector valve:

- A. For LP, rotate the lever (C) on the fuel selector valve until LP is aligned with "OUT" on the fuel regulator.

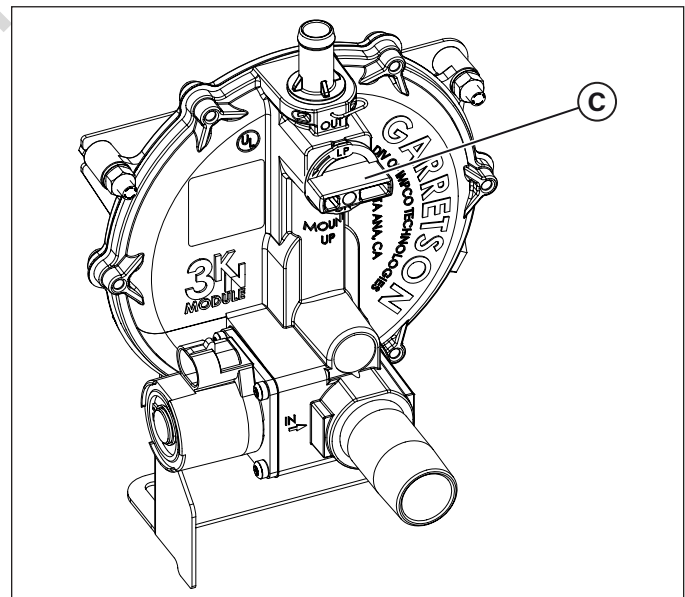


Figure 11

- B. For NG, rotate the lever clockwise 90° so the handle position of the lever will be up and down and the "NG" letters (D) will be on the left.

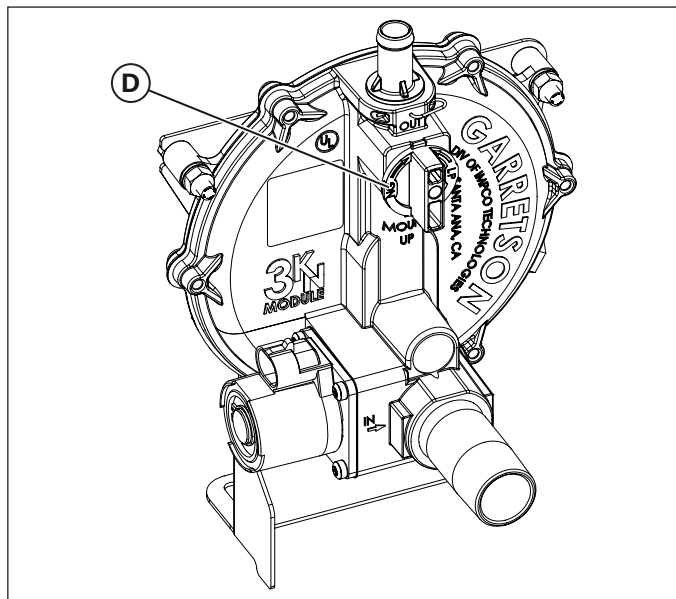


Figure 12

10. Find the fuel selector switch (E) in the engine compartment. See Figure 13.  
11. Select either LP or NG.

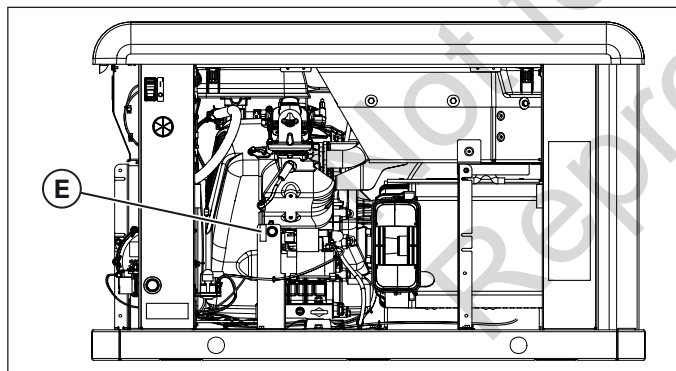


Figure 13

12. Connect the negative (-) cable at the battery.  
13. Install the end cap controller end.  
14. Install the 15-amp fuse.  
15. Push and hold the config button on the controller to access the configuration menu.  
16. Push the select button to edit the items in the configuration menu.  
17. To set up the generator's controller for LP fuel, enter the configuration menu by using the dealer password, which is available on the Power Portal.

18. Navigate to "**select profile**" and press "select" on the correct profile for the generator. For example, choose "20KW\_LP" for operating a 20 kW unit running on LP fuel.

*Note:* Selecting a profile that is not intended for the generator can cause the generator to run erratically and could result in damage.

19. To save the new fuel setting, press and hold the stop/config button until "Saving Settings..." displays.  
20. For additional information on the operation of the generator controller, refer to the *Operation Instructions GC1030 SERIES GENSET Controller Manual*, part number 80086364.  
21. Push the controller **auto** button.  
22. Restore utility power to the generator.  
23. Close the roof.

## Electrical Field Connections

**⚠ WARNING**  Generator voltage could cause electrical shock or burns, resulting in death or serious injury.

- A licensed professional must perform the installation.
- Disconnect all sources of electricity before installing or servicing equipment.
- Ground the system before applying power.

**⚠ WARNING**  Hazardous Voltage - Installing low- and high-voltage wire in the same conduit could cause electric shock or burns, resulting in death or serious injury.

- Do not run low- and high-voltage wire in the same conduit unless the insulation rating on ALL wiring is rated for 600V. See NFPA 70 for more information.

Low-voltage connections occur via a field connections terminal block (E) in the main electrical area. Compare the following illustration with your generator to get familiar with the location of these connections.

### System Connector Location

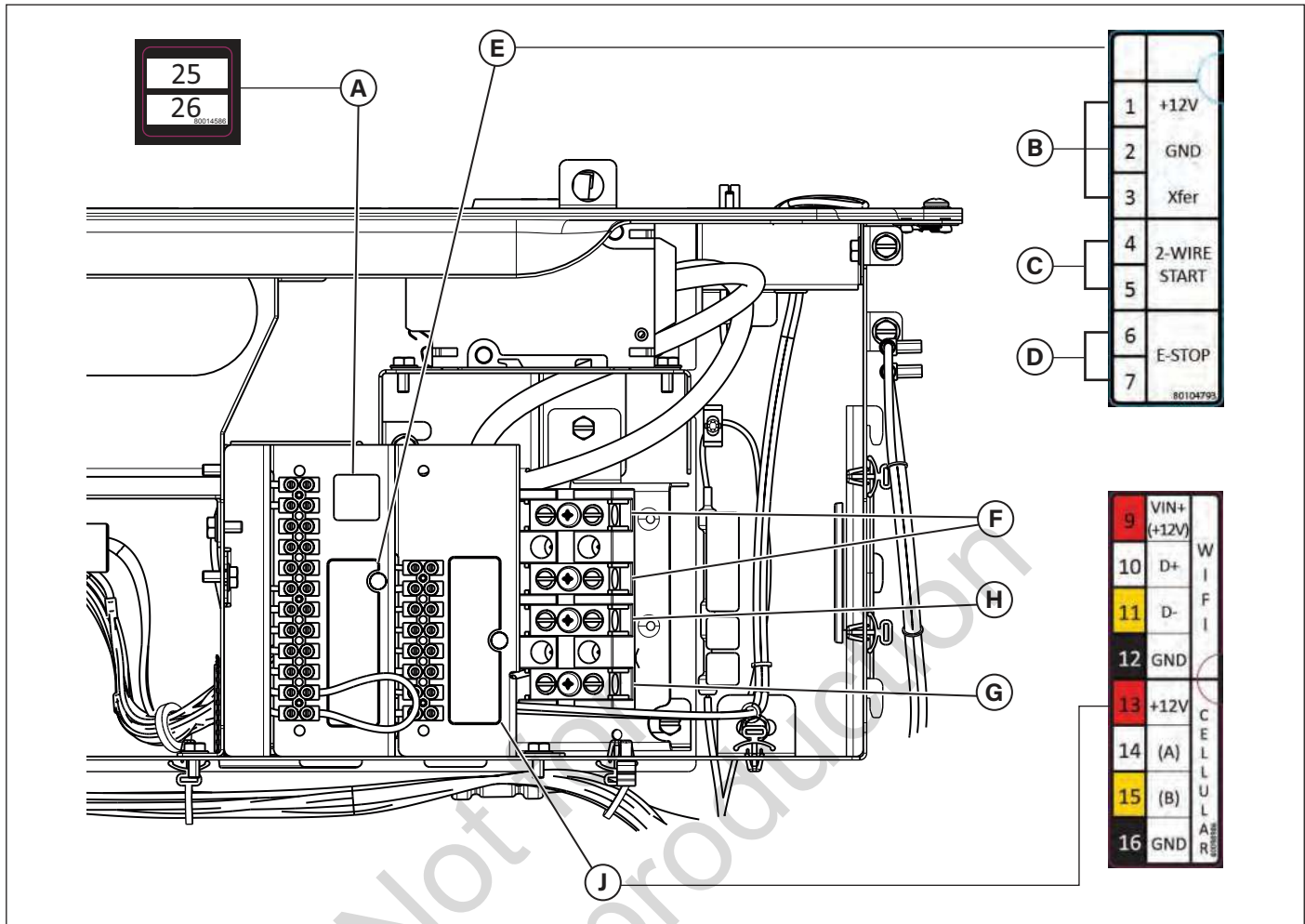


Figure 14

Legend for System Connector Location:

- (A) Utility Connection — Connects utility 240VAC from the fuse block in ATS to the controller. Connect only one wire per terminal. Use #14 AWG (2.50 mm<sup>2</sup>) minimum 300V wire
- (B) Transfer Switch Connection — Controls the transfer switch contactor
- (C) Two-wire Start — Helps provide optional remote start contact
- (D) E-Stop — Use with the optional external E-Stop
- (E) Field Connections Terminal Block - Reference the following table
- (F) Power Connection (L 1 and L2) — Offers power connection to the transfer switch
- (G) Ground Connection — Connects to the transfer switch ground wire
- (H) Neutral Connection — Connects to the transfer switch neutral wire
- (J) Communications Terminal Block — Reference the following table



PIN NUMBER	DESCRIPTION	WIRE TYPE	CONNECT TO	NOTES
1	+12V	#18 AWG (1 mm <sup>2</sup> ) conductors, 600V minimum, 90° C Cu wire.	Transfer Switch Basic Controller J7-8 12VDC	Transfer Switch Transfer Signal (only works with Basic Transfer Switch Controller)
2	GND	#18 AWG (1 mm <sup>2</sup> ) conductors, 600V minimum, 90° C Cu wire.	Transfer Switch Basic Controller J7-7 GND	
3	Xfer	#18 AWG (1 mm <sup>2</sup> ) conductors, 600V minimum, 90° C Cu wire.	Transfer Switch Basic Controller J7-4 T/R	
4	2-WIRE START	#18 AWG (1 mm <sup>2</sup> ) conductors, 600V minimum, 90° C Cu wire.	Refer to <i>Transfer Switch Manual</i> to verify if this function is available.	Contact Close for GENSET Start. ( <b>Only for Transfer Switch that provides this option</b> ). Mains monitoring must be disabled in the controller.
5	2-WIRE START	#18 AWG (1 mm <sup>2</sup> ) conductors, 600V minimum, 90° C Cu wire.		
6	E-STOP	#18 AWG (1 mm <sup>2</sup> ) conductors, 600V minimum, 90° C Cu wire.	E-Stop Switch	Contact Open to Shutdown GENSET
7	E-STOP	#18 AWG (1 mm <sup>2</sup> ) conductors, 600V minimum, 90° C Cu wire.	E-Stop Switch	
9	VIN+ (+12V)	#18 AWG (1 mm <sup>2</sup> ) conductors, 600V minimum, 90° C Cu wire.	Refer to the <i>Amplify Gateway Manual</i> .	Comm to WIFI Module Twisted Pair #1: +12V and GND Twisted Pair #2: (D+) and (D-)
10	(D+)	#18 AWG (1 mm <sup>2</sup> ) conductors, 600V minimum, 90° C Cu wire.		
11	(D-)	#18 AWG (1 mm <sup>2</sup> ) conductors, 600V minimum, 90° C Cu wire.		
12	GND	#18 AWG (1 mm <sup>2</sup> ) conductors, 600V minimum, 90° C Cu wire.		
13	+12V	#18 AWG (1 mm <sup>2</sup> ) conductors, 600V minimum, 90° C Cu wire.	Refer to the <i>InfoHub™ Premium Manual</i> .	Comm to Cellular Module Twisted Pair #1: +12V and GND Twisted Pair #2: (A) and (B)
14	(A)	#18 AWG (1 mm <sup>2</sup> ) conductors, 600V minimum, 90° C Cu wire.		
15	(B)	#18 AWG (1 mm <sup>2</sup> ) conductors, 600V minimum, 90° C Cu wire.		
16	GND	#18 AWG (1 mm <sup>2</sup> ) conductors, 600V minimum, 90° C Cu wire.		
25	Utility	#14 AWG [2.50 mm <sup>2</sup> ] 600V minimum, 90° C Cu Wire.	Transfer Switch Utility	Voltage Sensing for GENSET Start. Use either this signal or two-wire Start Signal for GENSET Start Signal (still required in two-wire start configuration for battery charger).
26	Utility	#14 AWG [2.50 mm <sup>2</sup> ] 600V minimum, 90° C Cu Wire.	Transfer Switch Utility	

- For power output connection (L1, L2, Neutral (N), and Ground), **refer to the National Electric Code (NEC) and local codes.**
- For communication wires use 300V wire and #18 AWG (1 mm<sup>2</sup>) twisted-pair conductors that do not exceed a length of 500 ft (150 m).
- When connecting to the terminal block, fasten only one wire to each connector screw.
- Torque terminal block screws to 4.4 in-lb (0.5 N·m).
- Torque circuit breaker connections to 45 in-lb (5 N·m).

## Generator AC System Connection

The generator uses a single-phase, three-wire AC connection system. The stator assembly consists of a pair of stationary windings with two leads appearing from each winding. The junction of leads 22 and 33 forms the neutral lead, as shown schematically and as a wiring diagram.

**NOTICE**

Neutral is not bonded to the ground at the generator.

**NOTICE**

Only use the generator with a listed transfer switch that is compatible with the generator.

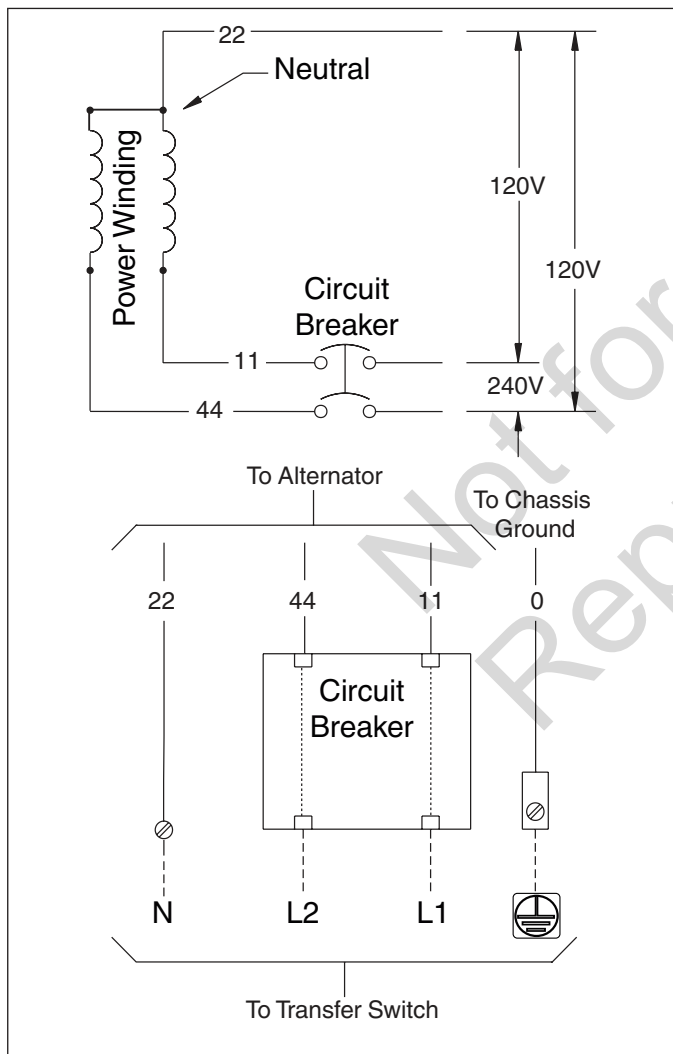


Figure 15

## Grounding the Generator

Unless mandated by local code, additional chassis grounding to earth at the generator is not required. Any grounding at the generator must use metal piercing lock washers (or their equivalent). Also, any listed terminals must be installed per the terminal supplier's instructions. All grounding and terminal installations must comply with national electrical codes and local requirements.

## Power Connections from the Generator to the Transfer Switch

**WARNING**



Failure to isolate the generator from the utility power could result in death or serious injury to electric utility workers due to the backfeed of electrical energy.

- Use a listed transfer switch to connect to a building's electrical system.

## Utility Circuit Connection

Route all 240V utility leads in conduit. The 240V utility leads deliver power to the generator's circuit board, and optional battery, oil sump, and fuel regulator warmers. This power also charges the battery. The generator starts when power on these leads is lost. Using the installer-supplied minimum 300V #14 AWG (2.50 mm<sup>2</sup>) wire, connect each control circuit terminal in the generator (25 and 26) to the fuse block in the automatic transfer switch.

## Generator Power Connection

Using the installer-supplied minimum 300V wires and the table located in the Electrical Field Connections section, connect the generator power output L1, L2, neutral (N), and ground to the corresponding L1, L2, neutral (N), and ground in the transfer switch.

**NOTICE**

Refer to the National Electric Code (NEC) for correct electrical field connections and wire size calculations.

## Final Installation Considerations

### Engine Oil

#### NOTICE

Any attempt to crank or start the engine before it has been correctly filled with the recommended oil will result in equipment failure and service codes.

- Refer to Maintenance in the Operation section for oil fill information.
- Damage to equipment resulting from failure to obey this instruction will void the engine and generator warranty.

This engine ships from the factory pre-run and filled with full synthetic oil (API SJ/CF 5W-30). This step allows for system operation in a wide range of temperature and climate conditions. Before starting the engine, check the oil level as described in the Maintenance section.

Using full synthetic oil does not alter the required oil change intervals as described in the Operation section.

### Battery

#### WARNING



Storage batteries give off explosive hydrogen gas during recharging. The slightest spark could ignite hydrogen and cause an explosion, resulting in death or serious injury.

- DO NOT dispose of the battery in a fire. Recycle the battery.
- DO NOT allow any open flame, spark, heat, or lit cigarette in the area of the battery during the battery-charging process and for several minutes after charging.

#### WARNING



Generator voltage could cause electrical shock or burns, resulting in death or serious injury.

- A licensed professional must perform the installation.
- Disconnect all sources of electricity before installing or servicing equipment.
- Ground the system before applying power.

#### WARNING



Battery electrolyte fluid contains acid and is extremely caustic. Contact with battery contents could cause severe chemical burns.

- DO NOT open or mutilate the battery.
- Wear protective goggles, a rubber apron, rubber boots, and rubber gloves.
- Immediately wash electrolyte from skin with water.
- If electrolyte contacts the eyes, immediately flush them with water and seek medical attention.
- Wash down spilled electrolyte with an acid-neutralizing agent.

The installer must supply and install a rechargeable 12V starting battery. The starting battery MUST conform to the specifications shown in the following chart.

BATTERY SPECIFICATIONS		
Specifications	Standard	Cold Start (Less than 30° F / -1° C)
Volts	12VDC	12VDC
Amps (Minimum)	540 CCA (Cold Cranking Amps)	800 CCA (Cold Cranking Amps)
Construction	Wet Lead Acid	Wet Lead Acid
Terminal Type	Top Post Type Battery	Top Post Type Battery
Dimensions (Maximum)	BCI Size 26 or BCI Size 51	BCI Size 24

#### WARNING



With the battery connected, the generator may crank and start without warning, resulting in death or serious injury.

- Do not connect the negative (-) cable at the battery until the installation is complete.

Install the battery as described in Servicing the Battery in the Maintenance section of this manual. Always connect the **negative** cable last and secure the red **positive** terminal insulator.

Use the supplied tie-down strap to secure the battery to the unit. Attach each end of the strap to the existing tabs in the base of the unit.

## System Controller

### NOTICE

See the separate online manual titled *Operation Instructions GC1030 SERIES GENSET Controller* (part number 80086364) for details on setup and operation.

The generator controller, located inside the generator housing, appears in the following figure.

## Controls Used During Installation

### Generator Controller

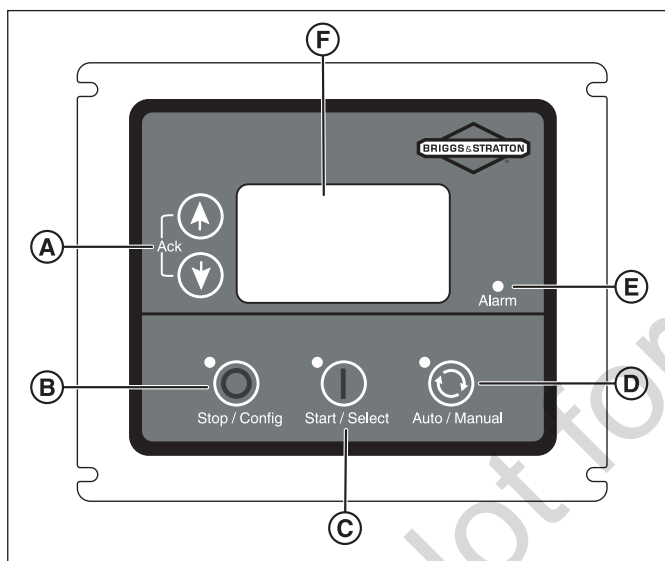


Figure 16

- (A) Menu/Programming Navigation Buttons
- (B) Stop/Config Button
- (C) Start/Select Button
- (D) Auto/Manual Button
- (E) Alarm
- (F) Digital Display — Displays generator mode, menu options, and alarms

Detailed descriptions of the controls appear in the Description of Control Keys section of the online manual titled *Operation Instructions GC1030 SERIES GENSET Controller* (part number 80086364).

## Initial Start-Up (No Load)

### WARNING



Exhaust heat/gases could ignite combustibles, causing a fire and resulting in death or serious injury.

- Remove all combustible materials from in and around the generator compartment.

The unit has been set up for natural gas operation at the factory. To complete fuel conversion, do so before performing the following steps. See the Fuel Conversion section.

Before operating the standby generator or putting it into service, inspect the entire installation carefully. Then begin testing the system without any electrical loads connected, as follows:

### NOTICE

When the generator starts for the very first time, it purges air from the gaseous fuel lines. This process can cause the engine to run roughly for a few minutes.

1. Remove the two screws (A) retaining the control box wiring cover. Remove the cover.
2. Connect an accurate multimeter to the line side of the generator's main circuit breaker.
3. Set the generator's main circuit breaker to the ON (closed) position.
4. Install a 15-amp fuse in the fuse holder below the controller.
5. Push the start/select button on the controller. The engine starts in Low Idle Mode (LIM).
6. Push the button again to bring the engine to full speed.
7. Listen for unusual noises, vibrations, or other indications of abnormal operation. Check for oil leaks while the engine runs.
8. Let the engine warm up for approximately five minutes to allow the internal temperatures to stabilize.
9. Check the generator output at the load side of the circuit breaker. The voltage should be 225-250 volts and the frequency should be 59.0-61.0 Hz.
10. Check the generator output between one generator connection lug and a neutral lug, then between the other generator connection lug and a neutral lug. In both cases, the voltage reading should be 112-125 volts.



11. Push the stop/config button on the controller. The engine enters cool-down mode for approximately five minutes. Push the button again to stop the engine.
12. Install the control box cover.



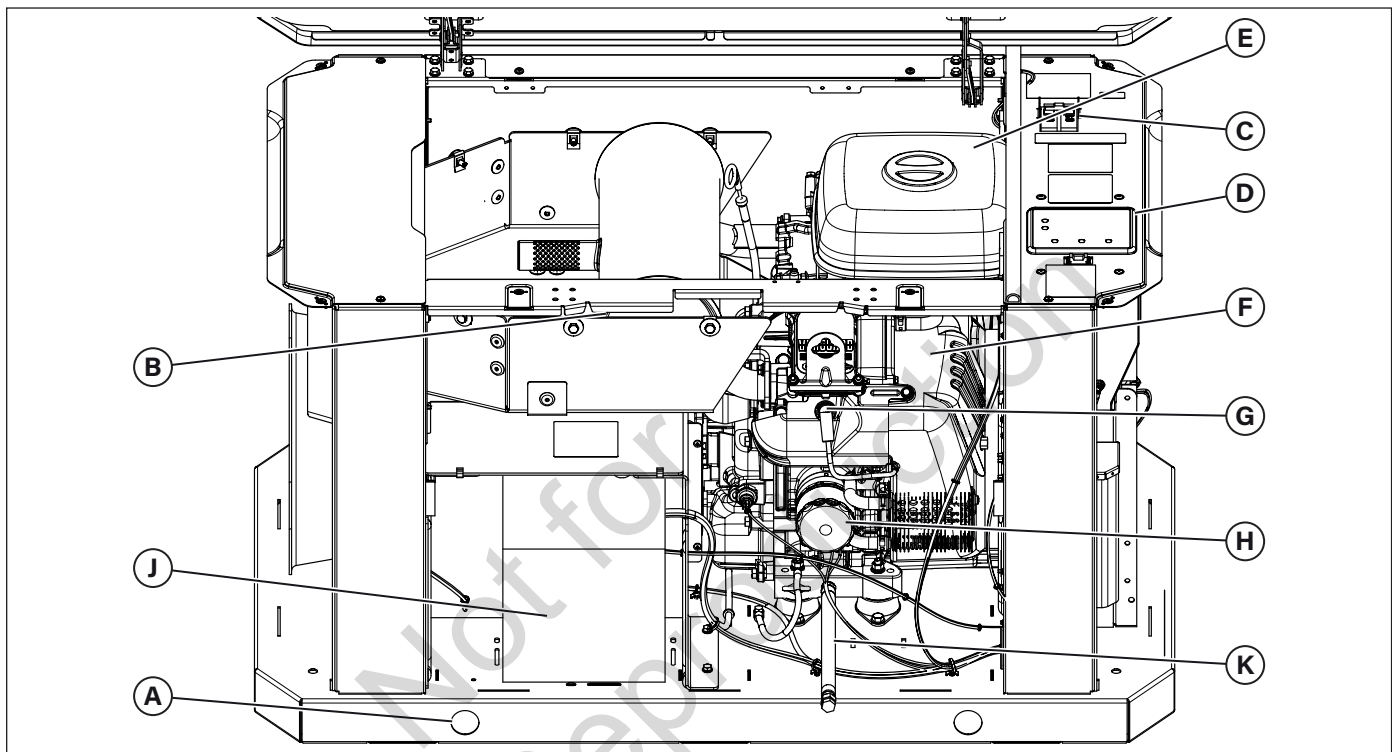
Figure 17

# OPERATION

## Controls

**⚠ WARNING**  Failure to read and obey the operator's manual, all warnings, and operating instructions could result in death or serious injury.

### Front View



**Figure 18**

Generator is shown with roof and access covers removed for clarity. Legend for System Connector Locations:

- |   |  |
|---|--|
| (A) Lifting Holes — Provided at each corner for lifting generator   | (G) Spark Plug — A device in the cylinder head of the engine that ignites the fuel mixture by means of an electric spark |
| (B) Muffler — High-performance muffler lowers engine noise to comply with most residential codes                  | (H) Oil Filter — Filters engine oil to prolong generator life  |
| (C) Circuit Breaker — Protects the system from shorts and other over-current conditions                           | (J) Battery (installer supplied) — 12VDC, lead acid, automotive-style battery provides power to start the engine         |
| (D) Controller — Facilitates for generator operation control, menu start-up, and informational display functions  | (K) Oil Drain Hose — Facilitates oil changing  |
| (E) Air Cleaner — Uses a dry-type filter element to protect engine by filtering dust and debris out of intake air |  |
| (F) Engine Label — Identifies engine model and type (located on the valve cover)                                  |  |

## Back View

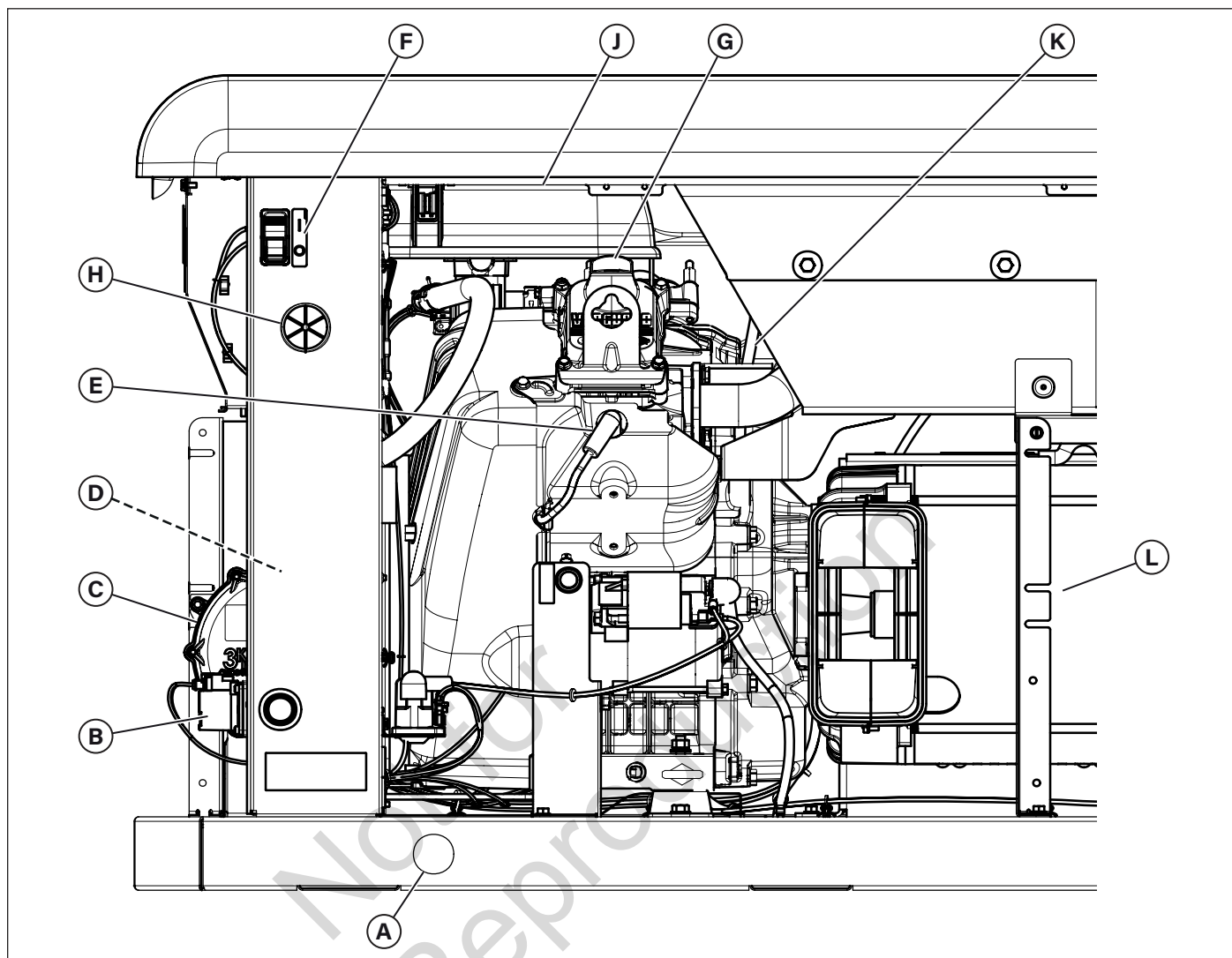


Figure 19

- |  |   |
|--|---|
| (A) Lifting Holes — Provided at each corner for lifting generator  | (G) Oil Fill Cap — The location for adding oil to the engine  |
| (B) Fuel Solenoid — Automatically opens and closes to supply fuel to the unit when needed                                | (H) Electrical Field Wiring Inlet — Wires to and from the generator are centered in this location                         |
| (C) Fuel Regulator — Controls fuel flow to the engine for proper operation   | (J) Air Cleaner — Uses a dry-type filter element to protect the engine by filtering dust and debris out of the intake air |
| (D) Fuel Selector Valve (not shown) — Aids in selecting the proper fuel type (LP or NG)                                  | (K) Engine Oil Dipstick — Allows the user to check the engine oil level easily  |
| (E) Spark Plug — A device in the cylinder head of the engine that ignites the fuel mixture by means of an electric spark | (L) Alternator — An electrical machine that generates an alternating current  |
| (F) ON/OFF Switch — Aids in turning the generator on (I) and off (O)   |   |

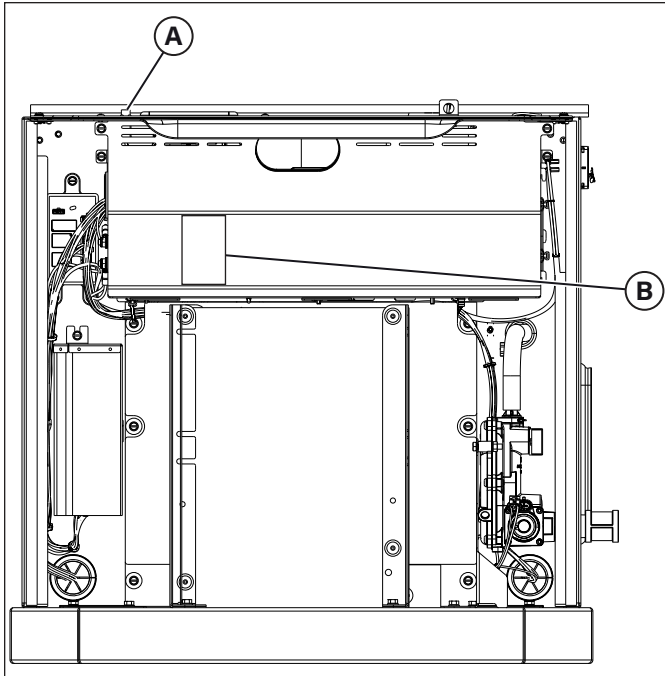


Figure 20

- (A) Fuse Holder — For the 15-amp ATO-type fuse (fuse holder is located below the controller)
- (B) Generator Data Label — Identifies the generator model number and serial number. Located inside the battery access compartment

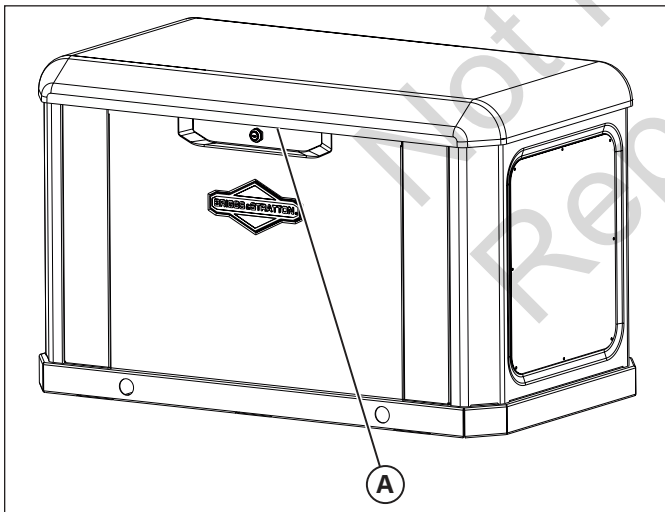


Figure 21

- (A) Status LED — Three modes:
- Blue solid light: Unit ready for operation (controller in AUTO mode)
  - Blue flashing light: Unit fault (review fault message on controller)

- No light: Unit controller in MANUAL mode or no battery power or ON/OFF switch in OFF position

## Important Owner's Considerations

### ⚠ WARNING



Engine exhaust contains carbon monoxide, a poisonous gas that could kill people and animals in minutes. People and animals cannot smell it, see it, or taste it. Even if you do not smell exhaust fumes, you could still be exposed to carbon monoxide gas.

- Carbon monoxide detector(s) **MUST** be installed and maintained indoors according to the manufacturer's instructions and recommendations. Smoke alarms cannot detect carbon monoxide gas.
- If you start to feel sick, dizzy, weak, or the carbon monoxide alarm sounds while using this product, get to fresh air right away. Call emergency services. You may have carbon monoxide poisoning.

### ⚠ WARNING



Propane and natural gas are extremely flammable and explosive, which could cause burns, fire, or explosion, resulting in death or serious injury.

- The generator features an automatic safety gas fuel shut-off valve.
- DO NOT** operate the equipment if the fuel shut-off valve is missing or inoperative.

## Engine Oil

The engine ships from the factory pre-run and filled with full synthetic oil (API SJ/CF 5W-30). This step allows for system operation in a wide range of temperature and climate conditions. Before starting the engine, check the oil level as described in the Maintenance section.

### NOTICE

Any attempt to crank or start the engine before it has been correctly filled with the recommended oil will result in equipment failure.

- Damage to equipment resulting from failure to obey this instruction will void the engine and generator warranty.

## Battery

The installer must supply a rechargeable 12VDC starting battery. See Battery in the Final Considerations section.



## 15-Amp Fuse

Ensure that the fuse is correctly installed before operating the generator.

## Automatic Operation Sequence

The generator's controller monitors utility voltage. If the utility voltage drops below a preset level, the controller signals the engine to crank and start. When the utility voltage restores above a preset voltage level, the engine receives signals to shut down. The actual system operation is not adjustable and undergoes sequencing by sensors and timers on the controller in the following manner:

## Utility Voltage Dropout Sensor

- This sensor monitors the utility source voltage.
- If the utility source voltage drops below approximately 70% of the nominal supply voltage, the sensor initiates a timer.
- The engine cranks and starts once the timer has expired.

## Utility Voltage Pickup Sensor

This sensor monitors the utility voltage. When the utility voltage restores above approximately 80% of the nominal source voltage, a shut-down timer initiates and the engine cools down.

## Engine Cool-down Timer

When the system senses the utility power, the load transfers to the utility source and the engine enters a five-minute cool-down period.

## Setting the Exercise Timer

1. Push and hold the stop/config button (B).
2. Push the start/select button (C) to enter "write" mode.
3. Enter the password (0000) by using the arrow keys (A) and the start/select button (C).
4. In the configuration screen use the arrow keys (A) to find **module**.
5. Push the start/select button (C) and, using the arrow keys (A), find **auto exercise**.
6. Push the start/select button (C) and, using the arrow keys (A), select each parameter and choose the desired settings.

7. Push and hold the stop/config button (B) to save your settings.

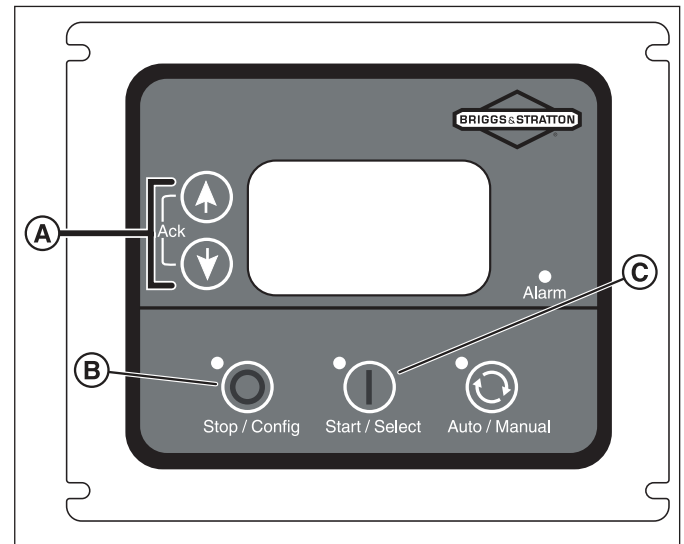



Figure 22

A detailed list of all the on-screen parameters appears in the Configuration of GCU section inside the online *Operation Instructions GC1030 SERIES GENSET Controller Manual* (part number 80086364).

# MAINTENANCE

## Servicing the System

**WARNING**  Generator voltage could cause electrical shock or burns, resulting in death or serious injury.

- **DO NOT** allow unqualified people to operate or service the generator.

**WARNING**  With the battery connected, the generator may crank and start without warning, resulting in death or serious injury.

- **Before servicing, stop the generator and disconnect the negative (-) cable at the battery.**

Always follow these steps before performing any generator maintenance:

1. Push the ON/OFF switch on the back of the generator to the OFF (0) position.

2. Remove utility power to the generator to de-energize the battery charger.
3. Unlock and open the roof as described in the Access Panels section.
4. Remove the 15-amp fuse from the fuse holder located below the controller.
5. Disconnect the negative (-) cable at the battery.
6. Perform the service steps as specified.
7. Connect the negative (-) cable at the battery.
8. Install the 15-amp fuse into the fuse holder.
9. Close and lock the roof.
10. Restore utility power to the generator.
11. Push the ON/OFF switch on the back of the generator to the ON (I) position.
12. Set the generator mode to **auto**.

## Maintenance Schedule

Follow the hourly or calendar intervals of operation, whichever occurs first.

<b>Every 8 Hours of Operation or Daily</b>
Clean Debris
Check the Engine Oil Level
<b>Every 100 Hours of Operation or Annually</b>
Change the Air Filter
Change the Engine Oil and Filter
Replace the Spark Plugs
Check the Valve Clearance
Check the Circuit Breaker Torques
<b>Annually</b>
Clean the Oil Cooler Fins

Regular maintenance improves the performance and extends the life of the generator. See any authorized dealer for service.

## Emissions Control

Any individual, whether from a non-road engine repair establishment or not, can perform maintenance, replacement, or repair of the emissions control devices and systems. However, only a factory-authorized dealer must do the work required to obtain a "no charge" emissions control service. See the Emissions Warranty for details.

## Maintaining the Generator

The generator's warranty does not cover items that have been subjected to operator abuse or negligence. To receive full value from the warranty, the operator must maintain the generator as instructed in this manual.

The generator requires the owner to make some adjustments periodically to correctly maintain it.

Perform all service and adjustments at least once each season. Obey the requirements in the Maintenance Schedule section.

Generator maintenance also means keeping the unit clean. Operate the unit in an environment that remains free of excessive dust, dirt, moisture, or any corrosive vapors. Do not allow the cooling air inlets and outlets on the enclosure to become clogged with snow, leaves, or other foreign material. To prevent generator damage caused by overheating, keep the enclosure cooling inlets and outlets clean and unobstructed at all times.

Check the cleanliness of the unit frequently and clean it when dust, dirt, oil, moisture, or other foreign substances appear on its exterior and interior surface. Inspect the air inlet and outlet openings inside and outside the enclosure to make sure no blockages exist in the airflow.

### NOTICE

*Improperly treating the generator can damage it and shorten its life.*

- *DO NOT expose the generator to excessive moisture, dust, dirt, or corrosive vapors.*
- *DO NOT insert any objects through the cooling slots.*

## Cleaning the Generator

### ⚠ WARNING



**Exhaust heat/gases could ignite combustibles, causing a fire and resulting in death or serious injury.**

- **Keep the area near the generator clean and free of debris.**

### NOTICE

*DO NOT use direct spray from a garden hose to clean the generator. Water can enter the engine and generator and cause damage.*

### NOTICE

*Periodically inspect the engine exterior for contamination and potential damage from dirt, leaves, rodents, spiderwebs, insects, etc., and remove these materials.*



1. Push the ON/OFF switch on the back of the generator to the OFF (0) position.
2. Remove utility power to the generator to de-energize the battery charger.
3. Unlock and open the roof as described in the Access Panels section.
4. Remove the 15-amp fuse from the fuse holder located below the controller.
5. Disconnect the negative (-) cable at the battery.
6. Clean the generator using the following steps:
  - Wipe the exterior surfaces clean with a damp cloth.
  - Use a soft bristle brush and vacuum cleaner to loosen and pick up dirt and debris. Use low-pressure air (not to exceed 25 psi or 175 kPa) to blow away dirt and debris.
  - Clear any snow, leaves, or debris from the air inlets and outlets. Keep these openings unobstructed to prevent generator damage caused by overheating.
7. Connect the negative (-) cable at the battery.
8. Install the 15-amp fuse into the fuse holder.
9. Close and lock the roof.
10. Restore utility power to the generator.
11. Push the ON/OFF switch on the back of the generator to the ON (I) position.
12. Set the generator mode to **auto**.
4. Remove the 15-amp fuse from the fuse holder located below the controller.
5. Disconnect the negative (-) cable at the battery.
6. Allow approximately five minutes for the oil to drain back into the oil pan.
7. Remove the dipstick. Wipe it with a clean cloth or paper towel. Then, push the dipstick all the way into the dipstick tube.
8. Remove the dipstick and note the amount of oil on it. The oil must reach a level somewhere between the **"add"** and **"full"** marks on the dipstick.
9. If the oil level is below the **"add"** mark on the dipstick, install the dipstick and proceed to step 10.

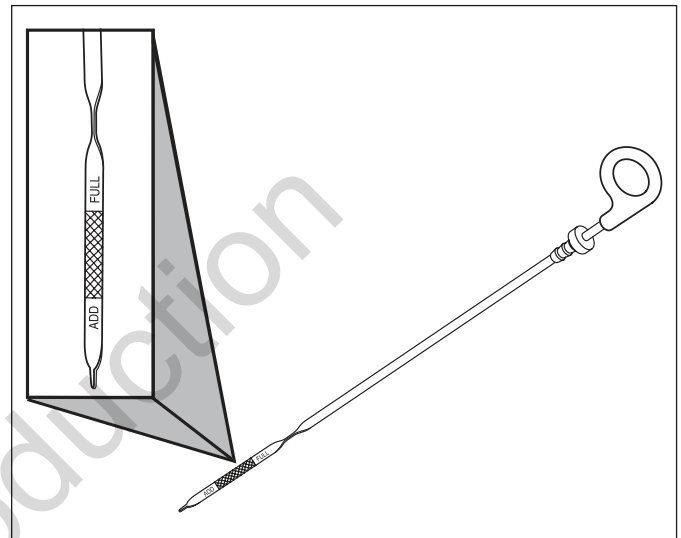


Figure 23

## Maintaining the Engine

### Engine Oil

Use only Briggs & Stratton® 80028446 SAE 5W-30 full synthetic engine oil. Other full synthetic high-quality detergent oils are acceptable if classified for service SJ or higher. Do not use special additives.

### Checking the Engine Oil Level

Maintain the oil level somewhere between the **"add"** and the **"full"** marks on the dipstick. Before checking the oil level, follow these steps to ensure that an accurate reading appears on the dipstick:

1. Push the ON/OFF switch on the back of the generator to the OFF (0) position.
2. Remove utility power to the generator to de-energize the battery charger.
3. Unlock and open the roof as described in the Access Panels section.
10. Remove the oil fill cap from the valve cover.
11. Add the required amount of oil to bring the level up to (but not over) the **"full"** mark on the dipstick. Install the oil fill cap on the valve cover and wipe up any spilled oil.
12. Connect the negative (-) cable at the battery.
13. Install the 15-amp fuse into the fuse holder.
14. Close and lock the roof.
15. Restore utility power to the generator.
16. Push the ON/OFF switch on the back of the generator to the ON (I) position.
17. Set the generator mode to **auto**.

## Changing Engine Oil and Oil Filter

Change the oil while the engine is still warm from running.

1. Push the ON/OFF switch on the back of the generator to the OFF (0) position.
2. Remove utility power to the generator to de-energize the battery charger.
3. Unlock and open the roof as described in the Access Panels section.
4. Remove the 15-amp fuse from the fuse holder located below the controller.
5. Disconnect the negative (-) cable at the battery.
6. Place the oil drain hose into an approved container.
7. Remove the brass fitting from the end of the oil drain hose.
8. Replace the brass fitting on the hose when the oil has drained.
9. Set an approved container beneath the oil filter area.
10. Remove the oil filter and dispose of it properly.
11. Before installing a new oil filter, lightly lubricate the oil filter gasket with fresh, clean oil.
12. Install the oil filter by hand until the gasket contacts the oil filter adapter, then tighten the oil filter 1/2 to 3/4 turn.
13. Add the required amount of oil to bring the level up to (but not over) the "full" mark on the dipstick. Install the oil fill cap and wipe up any spilled oil.
14. Connect the negative (-) cable at the battery.
15. Install the 15-amp fuse into the fuse holder.
16. Close and lock the roof.
17. Restore utility power to the generator.
18. Push the ON/OFF switch on the back of the generator to the ON (I) position.
19. Set the generator mode to **auto**.

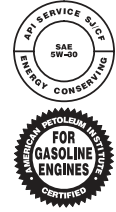
### Engine Oil

The engine is filled with full synthetic oil (API SJ/CF 5W-30). This oil allows for system operation in the widest range of temperature and climate conditions.

The manufacturer recommends using Briggs & Stratton® 80028446 SAE 5W-30 full synthetic engine oil. Other full synthetic high-quality detergent oils are acceptable if classified for service SJ or higher. Do not use special additives.

*Note:* An acceptable oil at all temperatures includes full synthetic oil that:

- Meets International Lubricant Specification Advisory Committee (ILSAC) GF-2 standards
- Carries the API certification mark
- Features an API service symbol with "SJ/CF energy conserving" or higher



Using full synthetic oil does not alter the required oil change intervals described in the Operation section.

## Adjusting the Valve Lash

Check the valve lash every 100 hours of operation. Measure the valve clearance with the engine cold. To adjust the valve lash, proceed as follows:

1. Push the ON/OFF switch on the back of the generator to the OFF (O) position.
2. Remove utility power to generator to de-energize the battery charger.
3. Unlock and open the roof as described in the Access Panels section.
4. Remove the 15-amp fuse from the fuse holder located below the controller.
5. Disconnect the negative (-) cable at the battery.
6. Remove both spark plugs to ease manual rotation of the engine crankshaft.
7. To gain access to rotate the engine by hand:
 

Remove the end cap, controller end. Remove the sound panel by removing the two self-tapping screws that secure it to the base to access the crankshaft nut. Replace the sound panel and end cap, controller end when finished.

OR remove the end cap, exhaust end to access the alternator fan and hub. Take care to use the hub for rotating to avoid possible damage to the fan blades, as damage to the fan blades will affect airflow through the alternator. Replace the end cap, exhaust end when finished.
8. Set the no. 1 cylinder at 1/4 inch (6 mm) past Top Dead Center (TDC) on the compression stroke.
9. Using a feeler gauge (A), measure the valve clearance.
10. For proper valve clearance for both the intake and exhaust, see the Engine Specifications section.
11. Adjust the clearance by loosening the locknut (B), then turn the adjusting screw (C).



12. After setting the proper clearance, hold the adjusting screw while torquing the locknut to 70 in-lb (8 N·m).
13. Repeat these steps for cylinder no. 2.
14. Connect the negative (-) cable at the battery.
15. Install the 15-amp fuse into the fuse holder.
16. Close and lock the roof.
17. Restore utility power to the generator.
18. Push the ON/OFF switch on the back of the generator to the ON (I) position.
19. Set the generator mode to **auto**.

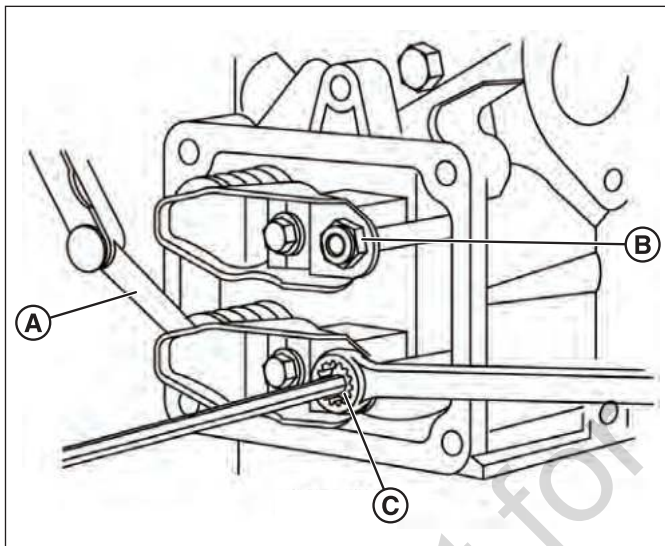


Figure 24

## Electronic Governor System

The engine electronic governor system offers improved control and increased generator performance compared to mechanically governed systems. The result is a smooth steady-state operation without the “hunting” common to many mechanical governors. The system also reduces speed variations under engine loading and unloading and significantly reduces frequency fluctuation when the engine runs under higher loads.

The electronic governor system features a stepper motor (B), stepper motor throttle control linkages (C), and throttle side linkage (A). The controller contains a digital controller that processes engine speed information and sends appropriate commands to the stepper motor to control the position of the engine throttle.

Since the electronic governing system controls the engine throttle demand based on generator load, the following service codes and/or conditions could arise from an electronic governing system issue:

- Engine does not start
- Overspeed
- Under-frequency
- Unstable no-load engine control

While troubleshooting any of these conditions, use the controller’s actuator test to initiate a verification of the electronic governor system.

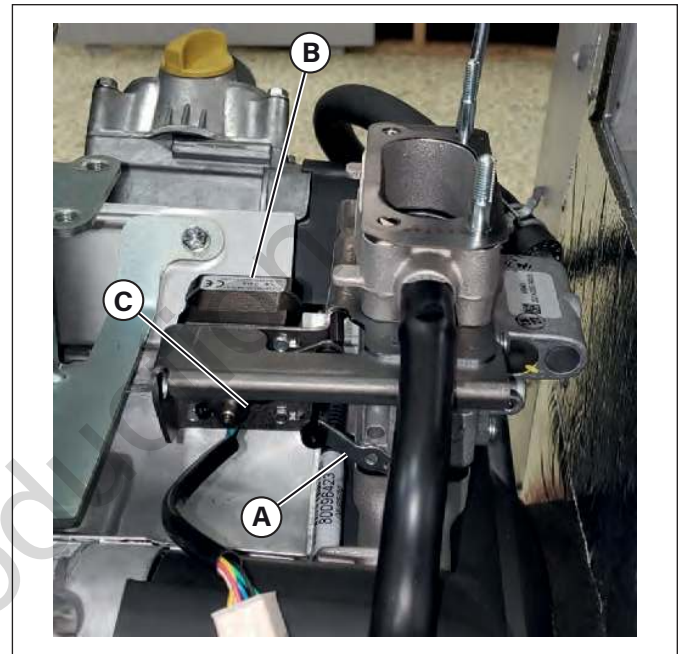


Figure 25

## Electronic Governing Check

The generator has an electronic governing check feature that will turn on the stepper motor and move the throttle linkage clockwise and counterclockwise within the throttle limits. The test will rotate the stepper motor and move the throttle arm between the wide open throttle and dead idle limits for up to ten seconds. This check lets you visually verify whether or not the stepper motor functions correctly and whether or not the control linkages are connected. The engine will not attempt to start during this test. If the stepper motor does not move or if a linkage binds, the generator requires service.

### NOTICE

*If the stepper motor does not move, ensure the stepper motor connector is attached.*

## Servicing the Spark Plugs

**⚠ WARNING**  **Unintentional sparking could cause fire or electric shock, resulting in death or serious injury.**

### WHEN ADJUSTING OR MAKING REPAIRS TO YOUR GENERATOR -

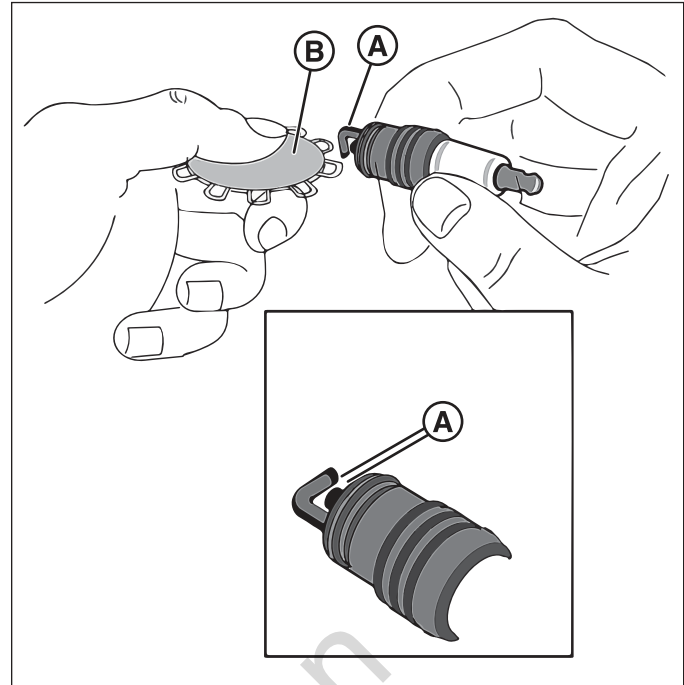
- Disconnect the spark plug wire from the spark plug and place the wire where it cannot contact the spark plug.

### WHEN TESTING FOR ENGINE SPARK -

- Use an approved spark plug tester.
- DO NOT check for spark with the spark plug removed.

Changing the spark plugs helps the engine to start easier and operate better.

1. Push the ON/OFF switch on the back of the generator to the OFF (0) position.
2. Remove utility power to the generator to de-energize the battery charger.
3. Unlock and open the roof as described in the Access Panels section.
4. Remove the 15-amp fuse from the fuse holder located below the controller.
5. Disconnect the negative (-) cable at the battery.
6. Clean the area around the spark plugs.
7. Remove and inspect the spark plugs.
8. Check the electrode gap (A) with the wire feeler gauge (B) and reset the spark plug gap to the recommended gap if necessary (see the Engine Specifications section).



**Figure 26**

9. Replace the spark plugs if the electrodes appear pitted or burned or if cracks appear in the porcelain. Use the recommended replacement spark plugs (see the Engine Specifications section).
10. Install the spark plugs and tighten them to 180 in-lb (20 N·m).
11. Connect the negative (-) cable at the battery.
12. Install the 15-amp fuse into the fuse holder.
13. Close and lock the roof.
14. Restore utility power to the generator.
15. Push the ON/OFF switch on the back of the generator to the ON (I) position.
16. Set the generator mode to **auto**.

## Engine Air Cleaner

### **WARNING**



Gaseous vapors are extremely flammable and explosive. Fire or explosion can cause severe burns or death.

- **Never start and run the engine with the air cleaner assembly (if equipped) or the air filter (if equipped) removed.**
1. Push the ON/OFF switch on the back of the generator to the OFF (0) position.
  2. Remove utility power to the generator to de-energize the battery charger.
  3. Unlock and open the roof as described in the Access Panels section.
  4. Remove the 15-amp fuse from the fuse holder located below the controller.
  5. Disconnect the negative (-) cable at the battery.
  6. Remove the filter cartridge.
  7. Clean the outlet tube and check the dust unloader valve (if equipped). Use a clean cloth to wipe the filter sealing surface and the outlet tube surfaces. Remove all contaminants before inserting the new filter. Do not damage the sealing area on the tube. Check and squeeze the dust unloader valve attached to the service cover and ensure it is flexible and not inverted, damaged, or plugged.
  8. Clean the filter. Use a soft bristle brush to loosen dirt and a vacuum cleaner to remove dirt and debris. Replace the filter cartridge if you find any holes in the filter media.
  9. Install the clean filter correctly, inserting the filter carefully. Seat the filter by hand, ensuring it is completely seated in the air cleaner housing before putting the cover in place.
  10. Install the service cover. Ensure that all mounting bands, clamps, bolts, and connections in the entire air cleaner system are tight. Check for any holes in the piping and repair them if necessary.
  11. Connect the negative (-) cable at the battery.
  12. Install the 15-amp fuse into the fuse holder.
  13. Close and lock the roof.
  14. Restore utility power to the generator.
  15. Push the ON/OFF switch on the back of the generator to the ON (I) position.
  16. Set the generator mode to **auto**.

## Maintaining the Exhaust System

### **WARNING**



Contact with the muffler area could cause burns, resulting in serious injury.

- **DO NOT touch hot parts and AVOID hot exhaust gases.**
- **Allow equipment to cool before touching it.**

Check the following when inspecting the exhaust system:

- Inspect the exhaust system manifold at the cylinder head for leaks.
- Check that all remaining bolts and shields (if used) are in place.
- Inspect the fasteners between the manifold and the exhaust pipe to ensure they are tight and that no exhaust leaks exist. Repair any leaks if necessary.
- Inspect the exhaust pipe connection for leaks. Repair any leaks if necessary.

Using or operating the engine without a spark arrester on the exhaust system (as defined in Section 4442) on any land covered with forest, brush, or grass violates California Public Resource Code, Section 4442. Also, the code specifies that the arrester must be maintained and in effective working order. Other states may have similar laws. See Federal Regulation 36 CFT Part 261.52.

## Maintaining the Fuel System

### **WARNING**



Propane and natural gas are extremely flammable and explosive, which could cause burns, fire, or explosion, resulting in death or serious injury.

- **Inspect the fuel system periodically.**
- **NO leakage is permitted.**
- **DO NOT operate the engine if you smell fuel.**

## Pressure Regulator

The pressure and regulator components have been specifically designed and calibrated to meet the engine's fuel system requirements.

If the regulator fails to operate or develops a leak, repair or replace it with the proper OEM recommended replacement parts. When inspecting the regulator, check the following:

- Check for any fuel leaks at the inlet and outlet fittings.
- Check for any fuel leaks in the regulator body.

- Check to ensure the regulator is correctly mounted and that the mounting bolts are tight.
- Check the regulator for external damage.

## Mixer and Throttle Control Device

The mixer and throttle body components have been specifically designed to meet the engine's fuel system requirements.

A dirty air filter can significantly alter the mixer performance. Ensure that the air filter is clean. When inspecting the mixer and throttle body, check the following:

- Check all the fittings for leaks.
- Ensure the mixer and throttle body are securely mounted.
- Inspect and clean the air filter element according to the recommended service intervals listed in the Maintenance Schedule section.
- Inspect the air inlet hose connection and clamp. Inspect the hose for cracking, splitting, or chafing. Replace the hose as necessary.
- Check for leaks at the throttle body and intake manifold.

## Alarms (Service Code Detection System)

The generator runs for long periods of time without an operator present. Therefore, the system features sensors that automatically shut down the generator in potentially damaging conditions, such as low oil pressure, high temperature, overspeed, and other conditions.

Service alarm descriptions appear in the digital display of the generator's controller.

See the Alarms section of the separate online manual titled *Operation Instructions GC1030 SERIES GENSET Controller* (part number 80086364) for details on service alarm descriptions.

## Acknowledging and Resetting the Alarms (Service Code Detection System)

Push the up and down arrows (A) simultaneously to reset the alarm.

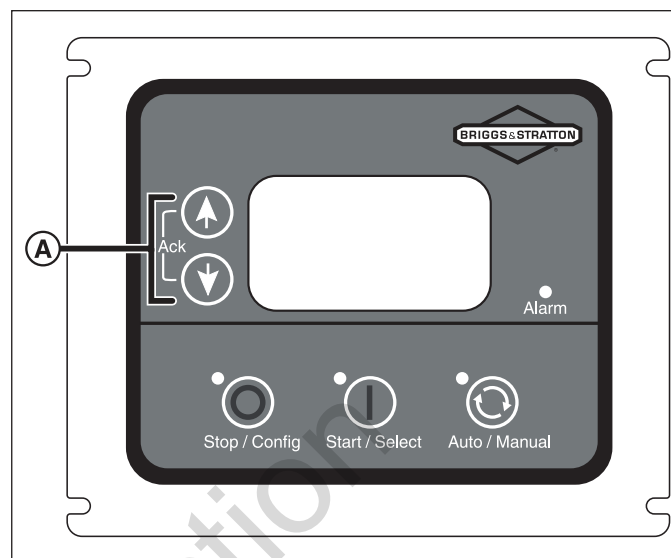


Figure 27

## Maintaining the Electrical System

### Wiring and Connections

The generator's electrical system incorporates computers to control various components. The electrical system connectors and grounds require good connections. When inspecting the electrical system, check the following:

- Check the positive (+) and the negative (-) battery cables for corrosion, rubbing, chafing, and burning. Ensure that both ends have tight connections.
- Check the battery for cracks or damage to the case. Replace the battery if necessary.
- Inspect the engine wire harness for rubbing, chafing, pinching, burning, and cracking and for breaks in the wiring.
- Ensure that the engine harness connectors are correctly locked in.
- Inspect the ignition coil wire for hardening, cracking, chafing, burning, separation, and split boot covers.
- Inspect the spark plug wires for hardening, cracking, chafing, and burning. Check them for separation and split boot covers.





- Replace the spark plugs at the required intervals listed in the Maintenance Schedule section.
- Ensure that all electrical components are securely mounted to the engine or chassis.
- Ensure that any additional electrical services installed by the owner have been correctly installed in the system.

## Servicing the Battery

A person with a knowledge of batteries and their required precautions must service the battery or at least supervise the servicing of the battery. Keep unauthorized personnel away from the batteries.

 **WARNING**   **Battery electrolyte fluid contains acid and is extremely caustic. Contact with battery contents could cause severe chemical burns.**

- **DO NOT** open or mutilate the battery.
- **Wear protective goggles, a rubber apron, rubber boots, and rubber gloves.**
- **Immediately wash electrolyte from skin with water.**
- **If electrolyte contacts eyes, immediately flush with water and seek medical attention.**
- **Wash spilled electrolyte with an acid-neutralizing agent.**

 **WARNING**  **Storage batteries give off explosive hydrogen gas during recharging. The slightest spark could ignite hydrogen and cause an explosion, resulting in death or serious injury.**

- **DO NOT** dispose of the battery in a fire. **Recycle the battery.**
- **DO NOT** allow any open flame, spark, heat, or lit cigarette in the area of the battery during the battery-charging process and for several minutes after charging.

 **WARNING**  **A battery's high short-circuit current could result in serious injury.**

- **Remove watches, rings, or other metal objects.**
- **Use tools having insulated handles.**
- **Disconnect the charging source prior to connecting or disconnecting battery terminals.**
- **Do not lay tools or metal parts on top of the batteries.**
- **Disconnect the negative (-) cable at the battery during installation and maintenance.**

1. Push the ON/OFF switch on the back of the generator to the OFF (0) position.
2. Remove utility power to the generator to de-energize the battery charger.
3. Unlock and open the roof as described in the Access Panels section.
4. Remove the 15-amp fuse from the fuse holder located below the controller.
5. Disconnect the negative (-) cable at the battery.
6. Disconnect the positive (+) cable at the battery.
7. Service or replace the battery as required.
8. Connect the positive (+) cable at the battery.
9. Connect the negative (-) cable at the battery.
10. Install the 15-amp fuse into the fuse holder.
11. Close and lock the roof.
12. Restore utility power to the generator.
13. Push the ON/OFF switch on the back of the generator to the ON (I) position.
14. Set the generator mode to **auto**.

## Replacing the Battery

1. Push the ON/OFF switch on the back of the generator to the OFF (0) position.
2. Remove utility power to the generator to de-energize the battery charger.
3. Unlock and open the roof as described in the Access Panels section.
4. Remove the 15-amp fuse from the fuse holder located below the controller.
5. Disconnect the negative (-) cable at the battery.
6. Disconnect the positive (+) cable at the battery.
7. Remove the battery and install the replacement battery.



**DO NOT POLLUTE. CONSERVE RESOURCES. RETURN AN USED BATTERY TO A RECYCLING COLLECTION CENTER.**

8. Connect the positive (+) cable at the battery.
9. Connect the negative (-) cable at the battery.
10. Install the 15-amp fuse into the fuse holder.
11. Close and lock the roof.
12. Restore utility power to the generator.
13. Push the ON/OFF switch on the back of the generator to the ON (I) position.
14. Set the generator mode to **auto**.

## Charging the Battery

If necessary, charge the battery. Charge it using the following steps:

1. Push the ON/OFF switch on the back of the generator to the OFF (0) position.
2. Remove utility power to the generator to de-energize the battery charger.
3. Unlock and open the roof as described in the Access Panels section.
4. Remove the 15-amp fuse from the fuse holder located below the controller.
5. Disconnect the negative (-) cable at the battery.

### NOTICE

*Failure to disconnect the negative battery cable could result in equipment failure. DO NOT attempt to jump-start the generator. Damage to equipment resulting from failure to follow this instruction will void the engine and generator warranty.*

6. Charge the battery with the battery charger at 2 amps until the battery holds 12 volts. DO NOT exceed 13.70 volts when charging the battery.

### NOTICE

*DO NOT use a battery booster to quick-charge a low battery.*

7. Connect the negative (-) cable at the battery.
8. Install the 15-amp fuse into the fuse holder.
9. Close and lock the roof.
10. Restore utility power to the generator.
11. Push the ON/OFF switch on the back of the generator to the ON (I) position.
12. Set the generator mode to **auto**.



# TROUBLESHOOTING

See the Alarms section of the separate online manual titled *Operation Instructions GC1030 SERIES GENSET Controller* (part number 80086364) for details on service alarm description and causes.

## Troubleshooting

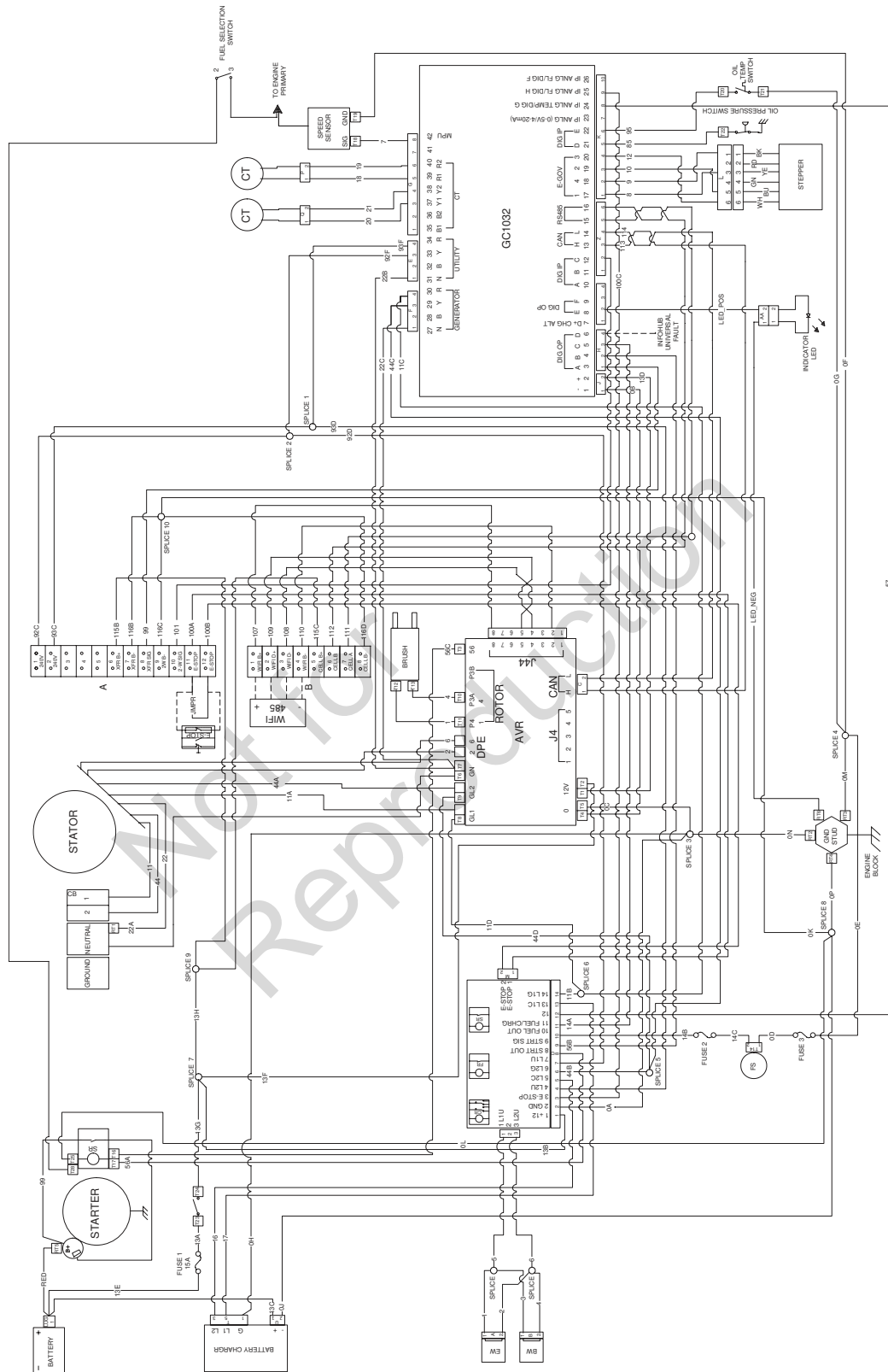
PROBLEM	CAUSE	CORRECTION
The engine is running, but no AC output is available.	<ol style="list-style-type: none"> <li>1. Open or defective circuit breaker</li> <li>2. An alarm on the generator's controller</li> <li>3. Poor wiring connections or defective transfer switch</li> </ol>	<ol style="list-style-type: none"> <li>1. Reset or replace the circuit breaker.</li> <li>2. See the separate online manual titled <i>Operation Instructions GC1030 SERIES GENSET Controller</i> (part number 80086364) for details. Contact the local service facility.</li> <li>3. Check and repair it or contact the local service facility.</li> </ol>
The engine runs well at no-load but "bogs down" when loads are connected.	<ol style="list-style-type: none"> <li>1. Overloaded generator</li> <li>2. Short circuit in a connected load</li> <li>3. Shorted generator circuit</li> <li>4. Incorrect fuel pressure or mixture</li> <li>5. Kinked fuel line between the regulator and engine</li> <li>6. Clogged air filter</li> </ol>	<ol style="list-style-type: none"> <li>1. Remove one or more loads.</li> <li>2. Disconnect the shorted electrical load.</li> <li>3. Contact the local service facility.</li> <li>4. See The Gaseous Fuel System section.</li> <li>5. Remove the kink. Replace the line if necessary.</li> <li>6. Clean or replace the air filter.</li> </ol>
The engine does not start or it starts but runs rough.	<ol style="list-style-type: none"> <li>1. Missing or blown 15-amp fuse</li> <li>2. Blown thermal fuse(s).</li> <li>3. Fuel supply turned off or depleted</li> <li>4. Incorrect fuel selection</li> <li>5. Failed battery</li> <li>6. Clogged air filter</li> <li>7. Throttle linkage binding</li> </ol>	<ol style="list-style-type: none"> <li>1. Install a new 15-amp fuse. See the System Controller section. Replace the thermal fuse(s).</li> <li>2. Replace the thermal fuse(s).</li> <li>3. Open the fuel valve(s) and check the propane tank.</li> <li>4. Check the fuel selector switch and set it to the proper setting (if applicable).</li> <li>5. Replace the battery.</li> <li>6. Clean or replace the air filter.</li> <li>7. Check the linkage.</li> </ol>
The engine shuts down during operation.	<ol style="list-style-type: none"> <li>1. Fuel supply turned off or depleted</li> <li>2. Alarm showing on the controller digital display</li> </ol>	<ol style="list-style-type: none"> <li>1. Check the fuel valves and fill the propane tank.</li> <li>2. See the separate online manual titled <i>Operation Instructions GC1030 SERIES GENSET Controller</i> (part number 80086364) for details.</li> </ol>

PROBLEM	CAUSE	CORRECTION
The circuits lose power.	<ol style="list-style-type: none"> <li>1. An open generator circuit breaker</li> <li>2. Transfer switch problems</li> </ol>	<ol style="list-style-type: none"> <li>1. Reset the circuit breaker.</li> <li>2. See the transfer switch manual.</li> </ol>
The unit does not exercise.	<ol style="list-style-type: none"> <li>1. Controller not set to <b>auto</b>.</li> <li>2. Exercise timer not set or set to OFF.</li> <li>3. Unit date and time not set.</li> <li>4. Failed battery.</li> <li>5. Missing or blown 15-amp fuse.</li> </ol>	<ol style="list-style-type: none"> <li>1. Push the <b>auto</b> button on the controller.</li> <li>2. Set the exercise timer.</li> <li>3. Set the unit date and time.</li> <li>4. Replace the battery.</li> <li>5. Install a new 15-amp fuse. See the System Controller section.</li> </ol>
The generator undergoes excessive vibration.	Loose mechanical fastener.	Check and repair it or contact the local service facility.
Utility power returns and the unit does not stop.	<ol style="list-style-type: none"> <li>1. Blown fuses in the transfer switch.</li> <li>2. The five-minute cooldown still in process.</li> <li>3. Poor wire connection or defective controllers.</li> </ol>	<ol style="list-style-type: none"> <li>1. Install new fuses.</li> <li>2. Wait five minutes.</li> <li>3. Check and repair the unit or contact the local service facility.</li> </ol>
Possible issues exist in <b>manual</b> mode.	-	See Table 7 (Common Faults and Their Remedial Actions) inside the separate online manual titled <i>Operation Instructions GC1030 SERIES GENSET Controller</i> (part number 80086364) for details.
Possible issues exist in <b>auto</b> mode.	-	See Table 7 (Common Faults and Their Remedial Actions) inside the separate online manual titled <i>Operation Instructions GC1030 SERIES GENSET Controller</i> (part number 80086364) for details.
Possible issues exist with Electronic Governing.	-	See Table 7 (Common Faults and Their Remedial Actions) inside the separate online manual titled <i>Operation Instructions GC1030 SERIES GENSET Controller</i> (part number 80086364) for details.

Call 800-732-2989 or visit [www.briggsandstratton.com](http://www.briggsandstratton.com) for assistance.



# DRAWINGS AND SCHEMATICS



# SPECIFICATIONS

## Generator Specifications

	17 kW	20 kW	26 kW
Running Amperage, Standby (LP/NG) (Amps)	70.8/70.8 A	83.3/83.3 A	108.3/100 A
Rated AC Voltage	120/240 V		
Phase	Single		
Frequency	60 Hz		
Generator Breaker	80 A	100 A	125 A
Operating Ambient Temperature	-20° - 104° F (-28° - 40° C)		
Packaged Weight	520 lb (240 kg)	520 lb (240 kg)	625 lb (285 kg)
Sound Rating per ISO 3744. Lowest mic at 23 ft (7 m) at indicated load.	Low Idle Mode	65 dB(A)	65 dB(A)
	Normal Operation	68 dB(A)	68 dB(A)

## Engine Specifications

Displacement	60.60 ci (993 cc)
Bore	3.405 in (86.50 mm)
Stroke	3.366 in (85.50 mm)
Spark Plug Gap	.030 in (.76 mm)
Spark Plug Torque	180 lb-in (20 N·m)
Armature Air Gap	.005-.008 in (.13-.20 mm)
Intake Valve Clearance	.004-.006 in (.10-.15 mm)
Exhaust Valve Clearance	.007-.008 in (.15-.20 mm)
Oil Type	5W-30 full synthetic
Oil Capacity (with filter)	78-80 oz (2.30-2.40 L)
Engine End Cover Bolt	220 lb-in (25 N·m)

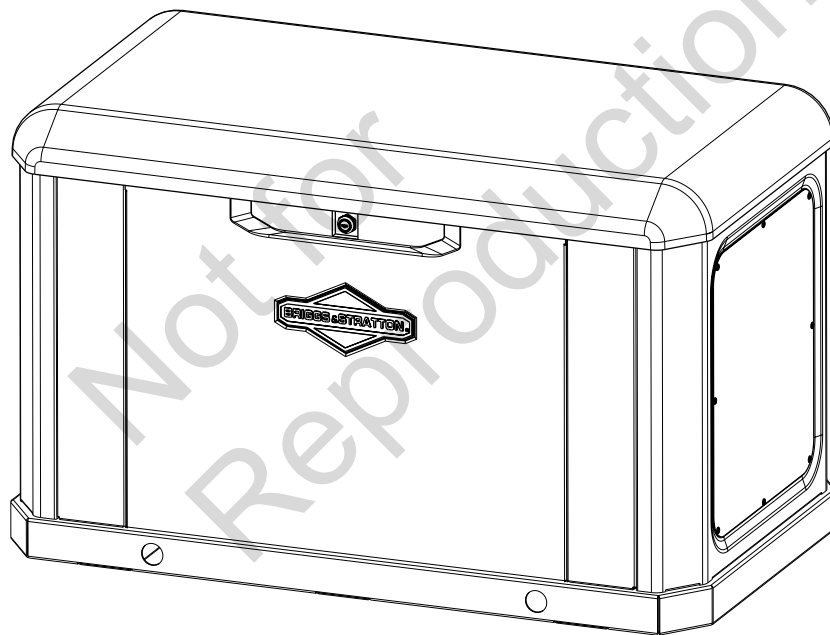




 Manual de instalación y funcionamiento

17 kW 20 kW 26 kW

 Grupo electrógeno de reserva monofásico enfriado por aire



Este grupo electrógeno está clasificado conforme a la norma UL (Underwriters Laboratories) 2200 (conjuntos de grupos electrógenos con motores fijos) y a la norma CSA (Canadian Standards Association) C22.2 N. 100-14 (motores y grupos electrógenos).

# TABLE OF CONTENTS

<b>PROPUESTA 65 DE CALIFORNIA (CALIFORNIA PROPOSITION 65)</b> .....	<b>3</b>	Secuencia de funcionamiento automático .....	33
<b>AGRADECIMIENTO</b> .....	<b>3</b>	Configuración del temporizador de actividad .....	33
<b>DÓNDE ENCONTRAR A BRIGGS &amp; STRATTON</b> .....	<b>3</b>	<b>MANTENIMIENTO</b> .....	<b>33</b>
<b>PARA CONSULTAS EN EL FUTURO</b> .....	<b>3</b>	Mantenimiento del sistema .....	33
<b>INSTRUCCIONES IMPORTANTES DE SEGURIDAD</b> .....	<b>3</b>	Programa de mantenimiento .....	34
Símbolo de alerta de seguridad y palabras de aviso .....	4	Mantenimiento del grupo electrógeno .....	34
Símbolos de seguridad y su significado .....	4	Limpieza del grupo electrógeno .....	34
Mensajes de seguridad .....	5	Mantenimiento del motor .....	35
Información de la Sección 15 de las normas de la FCC para el usuario .....	8	Cambio del aceite del motor y del filtro de aceite .....	36
<b>INFORMACIÓN GENERAL</b> .....	<b>8</b>	Ajuste de la holgura de las válvulas .....	36
Descripción del equipo .....	8	Sistema de regulador electrónico .....	37
Responsabilidades del instalador .....	8	Verificación de la regulación electrónica .....	37
Responsabilidades del propietario .....	8	Mantenimiento de las bujías .....	38
Factores de la instalación a tener en cuenta .....	9	Filtro de aire del motor .....	39
Inspección de la entrega .....	9	Mantenimiento del sistema de escape .....	39
Contenido del envío .....	9	Mantenimiento del sistema de combustible .....	39
<b>UBICACIÓN DEL GRUPO ELECTRÓGENO</b> .....	<b>9</b>	Dispositivo de control del acelerador y el mezclador .....	40
Consideraciones respecto de la ubicación del grupo electrógeno .....	10	Alarmas (Sistema de detección de códigos de servicio) .....	40
Reducción de riesgo de intoxicación por CO .....	10	Confirmación y restablecimiento de las alarmas (Sistema de detección de códigos de servicio) .....	40
Reducción del riesgo de incendio .....	14	Mantenimiento del sistema eléctrico .....	40
Normas federales e internacionales .....	15	<b>RESOLUCIÓN DE PROBLEMAS</b> .....	<b>43</b>
Otros lineamientos generales de ubicación .....	16	Resolución de problemas .....	43
<b>INSTALACIÓN</b> .....	<b>16</b>	Especificaciones del grupo electrógeno .....	46
Elevación del grupo electrógeno .....	16	Especificaciones del motor .....	46
Kit para climas fríos .....	17		
Anclaje y clasificación del viento .....	17		
Ubicaciones de las entradas de electricidad y combustible .....	18		
Paneles de acceso .....	18		
Esquema de instalación de combustible .....	19		
Conexiones del campo eléctrico .....	23		
Consideraciones finales para la instalación .....	27		
Controlador del sistema .....	28		
Arranque inicial (sin carga) .....	28		
<b>FUNCIONAMIENTO</b> .....	<b>30</b>		
Controles .....	30		
Consideraciones importantes para el propietario .....	32		





## PROPUESTA 65 DE CALIFORNIA (CALIFORNIA PROPOSITION 65)

**⚠️ ADVERTENCIA** Este producto puede exponerlo a sustancias químicas, entre ellas el aceite de motor usado, que el Estado de California considera que causa cáncer, y el monóxido de carbono, que el Estado de California considera que causa defectos de nacimiento u otros problemas reproductivos. Para obtener más información visite [www.P65Warnings.ca.gov](http://www.P65Warnings.ca.gov).

## AGRADECIMIENTO

Muchas gracias por comprar este grupo electrógeno Briggs & Stratton® de gran calidad. Nos complace que haya depositado su confianza en la marca Briggs & Stratton. Si opera y mantiene este grupo electrógeno de conformidad con las instrucciones que se incluyen en el presente manual, le brindará muchos años de servicio confiable.

En este manual se incluye información de seguridad destinada a advertirle acerca de los peligros y riesgos relacionados con los grupos electrógenos de reserva y cómo prevenirlos. Este producto está diseñado para usarse únicamente como sistema de generación de energía opcional. Proporciona una fuente alternativa de energía eléctrica y alimenta cargas tales como sistemas de calefacción y refrigeración, y sistemas de telecomunicaciones que, si dejan de funcionar como consecuencia de una interrupción en la alimentación eléctrica, pueden ocasionar molestias o inconvenientes.

**CONSERVE ESTAS INSTRUCCIONES.** Este manual incluye instrucciones importantes que los usuarios deben obedecer durante la instalación, el uso y el mantenimiento del grupo electrógeno y la batería.

**El presente sistema de grupo electrógeno debe ser instalado por un profesional para poder usarlo.** El instalador deberá cumplir completamente con las instrucciones.

## DÓNDE ENCONTRAR A BRIGGS & STRATTON

Los usuarios nunca tienen que buscar demasiado para encontrar soporte técnico y servicio de mantenimiento para un grupo electrógeno. Numerosos centros de servicio autorizados en todo el mundo brindan un servicio de gran calidad. Además, los propietarios pueden comunicarse con el Servicio de Atención al Cliente telefónicamente llamando al 800-732-2989 entre las 8:00 a. m. y las 5:00 p. m., hora del centro de EE. UU., o haciendo un clic en "Dealer Locator" (localizador de distribuidores) en [www.briggsandstratton.com](http://www.briggsandstratton.com), que le brindará un listado de distribuidores autorizados.

## PARA CONSULTAS EN EL FUTURO

Complete la siguiente información y guárdela junto con el recibo. Mantenga esta información a mano para comunicarse con el instalador o el distribuidor autorizado en el futuro en relación con el mantenimiento o la reparación de la unidad.

Fecha de compra: \_\_\_\_\_

Distribuidor/minorista: \_\_\_\_\_

Número de teléfono del distribuidor/minorista: \_\_\_\_\_

### GRUPO ELECTRÓGENO:

Número de modelo: \_\_\_\_\_

Revisión del modelo: \_\_\_\_\_

Número de serie: \_\_\_\_\_

### MOTOR:

Número de modelo: \_\_\_\_\_


Número de serie: \_\_\_\_\_

## INSTRUCCIONES IMPORTANTES DE SEGURIDAD

En Briggs & Stratton hemos tomado todos los recaudos posibles para asegurar que la información que se incluye en este manual sea exacta y esté actualizada. Sin embargo, Briggs & Stratton se reserva el derecho de cambiar, modificar, o de cualquier otro modo mejorar el producto y el presente documento en cualquier momento sin previo aviso.

El fabricante no puede prever todas las circunstancias que podrían implicar riesgos. Por lo tanto, las advertencias que se incluyen en el presente manual, y las etiquetas y calcomanías que están fijadas a la unidad, no prevén todos los peligros. Si emplea un procedimiento, método de trabajo o técnica operativa que no están recomendados por el fabricante, asegúrese de que sean seguros para usted y para otras personas. Compruebe además que el procedimiento, método de trabajo o técnica operativa que elija no hagan que el grupo electrógeno deje de ser seguro.

## Símbolo de alerta de seguridad y palabras de aviso

 El símbolo de alerta de seguridad identifica la información de seguridad sobre peligros que pueden generar lesiones. El símbolo de alerta se utiliza con una palabra de aviso (**PELIGRO**, **ADVERTENCIA** o **PRECAUCIÓN**) para indicar la probabilidad de que ocurra una lesión y la posible gravedad de la misma. Además, un símbolo de peligro puede representar el tipo de peligro.


**⚠ PELIGRO** Indica un riesgo que, si no se evita, **provocará lesiones graves o la muerte.**

**⚠ ADVERTENCIA** Indica un riesgo que, si no se evita, **podría provocar lesiones graves o la muerte.**

**⚠ PRECAUCIÓN** Indica un riesgo que, si no se evita, **podría provocar lesiones menores o moderadas.**

**AVISO** Indica información que se considera importante pero que no está relacionada con un riesgo.

## Símbolos de seguridad y su significado

SÍMBOLO	SIGNIFICADO
	Símbolo de alerta de seguridad. Indica un posible riesgo de lesiones.
	Lea este manual. Si no se respeta lo establecido en las advertencias, las instrucciones y en el <i>Manual de Instalación y de Funcionamiento</i> se podrían provocar lesiones graves o la muerte.
	Incendio

	Explosión
	Electrocución
	Gases tóxicos
	Utilice protección ocular
	Productos químicos peligrosos
	Superficie caliente
	Arranque automático

## Mensajes de seguridad

### ⚠️ ADVERTENCIA



Si no se lee y no se respeta lo establecido en el *Manual del operador*, todas las advertencias y las instrucciones de funcionamiento, se podrían provocar lesiones graves o la muerte.

### ⚠️ ADVERTENCIA



El escape del motor contiene monóxido de carbono que es un gas venenoso que podría causarle la muerte en minutos. No se percibe con el olfato, la vista o el gusto. Incluso si no siente el olor a gases de escape, podría estar expuesto al gas del monóxido de carbono.

- Utilice este producto ÚNICAMENTE en exteriores, en un lugar en el cual no se acumularán gases de escape letales.
- Oriente el gas de escape de manera que no ingrese por ventanas, puertas, tomas de aire de ventilación, ventilaciones de plafones, entresijos, puertas abiertas de garajes u otras aberturas que permitan que entre o sea aspirado hacia adentro de una construcción o estructura posiblemente habitada.
- En interiores, se DEBEN instalar y mantener detectores de monóxido de carbono, de conformidad con las instrucciones y las recomendaciones del fabricante. Las alarmas de incendios no pueden detectar el gas de monóxido de carbono.
- Si empieza a sentirse descompuesto, mareado o débil, o si suena la alarma de detección de monóxido de carbono mientras se usa este producto, diríjase de inmediato a un lugar con aire fresco. Llame a los servicios de emergencia. Podría haberse intoxicado con monóxido de carbono.

### ⚠️ ADVERTENCIA



Durante su recarga, las baterías almacenadas producen gas hidrógeno explosivo. Con solo una pequeña chispa el hidrógeno puede encenderse y ocasionar una explosión, que produzca lesiones graves o la muerte.

- NO deseche la batería arrojándola al fuego. Recicle la batería.
- NO permita ninguna llama abierta, chispa, calor ni encienda un cigarrillo mientras se carga la batería y por varios minutos después de haberla cargado.

### ⚠️ ADVERTENCIA



El fluido electrolítico de la batería contiene ácido y es sumamente cáustico. El contacto con el contenido de la batería podría ocasionar quemaduras químicas de gravedad.

- NO abra ni manipule indebidamente la batería.
- Utilice gafas de protección y delantal, botas y guantes de goma.
- Lávese de inmediato la piel con agua para eliminar el electrolito.
- Si el electrolito entra en contacto con los ojos, láveselos de inmediato con agua y consulte a un médico.
- Lave el electrolito derramado con un agente neutralizante de ácidos.

### ⚠️ ADVERTENCIA



La elevada corriente de cortocircuito de las baterías podría ocasionar lesiones graves.

- Quítese los relojes, anillos u otros objetos metálicos.
- Utilice herramientas que tengan el mango aislado.
- Desconecte la fuente de carga antes de conectar o desconectar los terminales de las baterías.
- No apoye herramientas ni piezas metálicas sobre las baterías.
- Desconecte el cable negativo (-) de la batería durante los trabajos de instalación y mantenimiento.

### ⚠️ ADVERTENCIA



Si no se aísla el grupo electrógeno de la red pública, los trabajadores del servicio de red pública eléctrica podrían lesionarse gravemente o morir a causa de la retroalimentación de la energía eléctrica.

- Utilice el interruptor de transferencia indicado para la conexión al sistema eléctrico del edificio.

### ⚠️ ADVERTENCIA



La tensión del grupo electrógeno podría provocar electrocución o quemaduras que causen lesiones graves o la muerte.

- La instalación debe realizarla un profesional certificado.
- Desconecte todas las fuentes de electricidad antes de realizar trabajos de instalación o mantenimiento en el equipo.
- Conecte a tierra el sistema antes de aplicarle energía eléctrica.

**ADVERTENCIA**  Tensión peligrosa - Instalar cables de alta y baja tensión en el mismo conducto podría ocasionar electrocución o quemaduras que causen lesiones graves o la muerte.

- No pase el cable de alta y baja tensión en el mismo conducto a menos que el valor nominal de aislamiento de TODO el cableado esté clasificado para 600 V. Consulte la norma 70 de la Asociación Nacional de Protección contra Incendios (National Fire Protection Association, NFPA) para obtener más información.

**ADVERTENCIA**  El calor/los gases de escape podrían encender los combustibles o las estructuras y provocar lesiones graves o la muerte.

- La salida de escape del recinto deberá estar como mínimo a 5 pies (1.50 m) de distancia de cualquier estructura, arbusto, árbol o cualquier tipo de vegetación.
- El recinto deberá estar a por los menos 5 pies (1.50 m) de las ventanas, las puertas, cualquier abertura en la pared, arbusto o cualquier tipo de vegetación de más de 12 pulgadas (30.50 cm) de alto.
- El recinto deberá tener como mínimo 5 pies (1.50 m) de espacio aéreo libre de cualquier estructura, voladizo o árbol.
- NO ubique el recinto debajo de una plataforma o de otro tipo de estructura que pudiera limitar el flujo de aire.
- Los detectores de humo se DEBEN instalar y mantener en interiores de conformidad con las instrucciones del fabricante. Las alarmas de monóxido de carbono no pueden detectar humo.
- No ubique un recinto de una manera distinta a la que se indica en las ilustraciones.

**ADVERTENCIA**  El calor/los gases de escape podrían encender los materiales combustibles y provocar un incendio que ocasione lesiones graves o la muerte.

- Elimine todos los materiales combustibles del interior del compartimiento del grupo electrógeno y de la zona circundante.

**ADVERTENCIA**   Los vapores gaseosos son sumamente inflamables y explosivos. Un incendio o una explosión pueden causar quemaduras graves o la muerte.


- Nunca arranque y ponga en marcha el motor si se extrajo el conjunto del depurador de aire (si viene equipado) o el filtro de aire (si viene equipado).

**ADVERTENCIA**  Con la batería conectada, el grupo electrógeno puede arrancar sin previo aviso y causar así lesiones graves o la muerte.

- No conecte el cable negativo (-) en la batería hasta que se haya completado la instalación.
- Antes de realizar trabajos de mantenimiento en el grupo electrógeno, párelo y desconecte el cable negativo (-) en la batería.

**ADVERTENCIA**  Tensión peligrosa - El contacto con líneas de alta tensión podría provocar electrocución o quemaduras y causar lesiones graves o la muerte.

- Si se utilizan equipos de elevación o izado, EVITE tocar las líneas de alta tensión.
- NO eleve ni mueva el grupo electrógeno sin ayuda.

**ADVERTENCIA**   El propano y el gas natural son sumamente inflamables y explosivos, con lo cual pueden causar quemaduras, incendios o explosiones que provoquen lesiones graves o la muerte.

- La instalación debe realizarla un profesional certificado.
- Instale el sistema de suministro de combustible de conformidad con la norma 37 NFPA y los restantes códigos de combustible-gas vigentes.
- Antes de poner el grupo electrógeno en servicio, se debe hacer una adecuada purga y una prueba de detección de pérdidas de las líneas del sistema de combustible.
- NO se permite que haya ninguna pérdida.
- NO opere el motor si siente olor a combustible.
- El grupo electrógeno cuenta con una válvula automática de seguridad de cierre de gas combustible.
- NO haga funcionar el equipo si falta la válvula de cierre o si no funciona.
- El gas licuado de petróleo (PL) es más pesado que el aire y se asienta en zonas bajas.
- El gas natural es más ligero que el aire y se acumula en zonas altas.
- La más ligera chispa podría encender estos combustibles y provocar una explosión.
- NO encienda un cigarrillo y NO fume.
- Inspeccione periódicamente el sistema de combustible.



**⚠ ADVERTENCIA**  **La tensión del grupo electrógeno podría provocar electrocución o quemaduras que causen lesiones graves o la muerte.**

- **NO permita que personas no calificadas operen o realicen el mantenimiento del grupo electrógeno.**

**⚠ ADVERTENCIA**   **Una chispa accidental podría provocar un incendio o una descarga eléctrica y causar así lesiones graves o la muerte.**

#### **CUANDO REALICE AJUSTES O REPARACIONES A SU GENERADOR -**

- **Desconecte el cable de la bujía de esta y ubíquelo en un lugar donde no pueda entrar en contacto con la bujía.**

#### **CUANDO PRUEBE LA BUJÍA DEL MOTOR -**

- **Utilice un comprobador de bujías aprobado.**
- **NO compruebe la chispa con la bujía extraída.**

### **AVISO**

*La manipulación inadecuada del grupo electrógeno podría dañarlo y acortar su vida útil.*

- Opere el generador únicamente para los usos previstos.
- Si tiene dudas respecto del uso previsto, comuníquese con el distribuidor autorizado.
- Opere el generador únicamente sobre superficies niveladas.
- Para el funcionamiento adecuado del grupo electrógeno, resulta fundamental que el flujo de aire de enfriamiento y ventilación no esté obstruido.
- Siempre se deben colocar los paneles/las puertas de acceso cuando la unidad está en funcionamiento.
- NO exponga el grupo electrógeno a niveles excesivos de humedad, polvo, suciedad o vapores corrosivos.
- Manténgase alerta en todo momento mientras trabaja en este equipo. Nunca trabaje en este equipo si está fatigado física o mentalmente.
- NO inserte ningún objeto a través de las ranuras de enfriamiento.
- NO use el generador ni ninguna de sus piezas como escalera. Pararse sobre la unidad podría someterla a un esfuerzo excesivo y romper piezas. Este daño podría provocar condiciones de funcionamiento peligrosas generadas por pérdidas de gases de escape, pérdidas de combustible, pérdidas de aceite, etc.
- Apague el grupo electrógeno si:
  - o Se pierde la salida eléctrica.
  - o Del equipo salen chispas, humo o llamas.
  - o La unidad vibra excesivamente o hace ruidos extraños.

## Información de la Sección 15 de las normas de la FCC para el usuario

De conformidad con el artículo 15.21 de las normas de la FCC, se deberá tener en cuenta que los cambios o las modificaciones realizados al producto sin la aprobación expresa de Briggs & Stratton pueden anular su autoridad para operar este producto.

El dispositivo cumple con la Sección 15 de las normas de la FCC.

El uso de esta unidad estará sujeto a las dos condiciones siguientes:

1. Este dispositivo no debe causar interferencias nocivas, y
2. Este dispositivo debe aceptar cualquier interferencia recibida, incluidas las interferencias que pueden ocasionar un funcionamiento no deseado.

Se probó este equipo y se determinó que cumple los límites para un dispositivo digital de Clase B, de conformidad con la Sección 15 de las normas de la FCC. Estos límites están diseñados para brindar una protección razonable contra las interferencias nocivas en una instalación residencial. Este equipo genera, usa y puede irradiar energía de radiofrecuencia y, si no se lo instala y utiliza de conformidad con las instrucciones, puede causar interferencias nocivas para las radiocomunicaciones. Sin embargo, no se puede garantizar que no habrá interferencias en una instalación en especial. Encienda y apague este equipo para determinar si causa interferencias nocivas en la recepción de radio o televisión. Si el usuario descubre interferencias nocivas, deberá intentar corregirlas siguiendo uno o más de estos pasos:

- Reoriente o reubique la antena receptora.
- Aumente la separación entre el equipo y el receptor.
- Conecte el equipo a un tomacorriente en un circuito, asegurándose de que dicho circuito no sea el mismo que usa el receptor.
- Consulte al distribuidor o a un técnico de radio/TV experimentado para que le ayude.

## INFORMACIÓN GENERAL

Para la mayoría de las aplicaciones, el *Manual de instalación y funcionamiento* incluye toda la información que se necesita para instalar, operar y mantener correctamente el grupo electrógeno. En Briggs & Stratton hemos tomado todos los recaudos posibles para asegurar que la información que se incluye en este manual sea exacta y esté actualizada. Sin embargo, Briggs & Stratton se reserva el derecho de cambiar, modificar, o de cualquier otro modo mejorar el producto y el presente documento en cualquier momento sin previo aviso.

## Descripción del equipo

### AVISO

*Este producto NO reúne los requisitos de un sistema de reserva de emergencia o de un sistema de reserva exigido por la ley, como se define en la norma 70 NFPA (NEC).*

- Los sistemas de grupos electrógenos de emergencia están diseñados para suministrar automáticamente iluminación y/o energía a zonas y equipos designados durante una falla en el suministro normal. Los sistemas de emergencia también pueden suministrar energía para funciones como la ventilación cuando es esencial para mantener la vida, si la interrupción actual del suministro normal generaría riesgos graves para la vida, la seguridad o la salud.
- Los sistemas de grupos electrógenos exigidos por la ley están diseñados para suministrar automáticamente energía a cargas seleccionadas durante una falla de la fuente normal (que puede generar peligros, impedir un rescate o dificultar las operaciones de apagado de incendios).

## Responsabilidades del instalador

- Lea y siga las instrucciones de seguridad.
- Instale solo un interruptor de transferencia indicado que sea compatible con el grupo electrógeno.
- Lea y siga las instrucciones de este *Manual de instalación y funcionamiento*.
- La instalación deberá cumplir estrictamente con todos los códigos, las normas de la industria, las leyes y las reglamentaciones vigentes.
- Deje suficiente espacio en todos los costados del grupo electrógeno para realizar los trabajos de mantenimiento y servicio.
- Analice la ubicación del grupo electrógeno con el propietario.
- Entréguele el *Manual rápido de uso* (número de pieza: 80103363) al propietario una vez que se haya terminado la instalación.

## Responsabilidades del propietario

- Lea y siga las instrucciones de este *Manual de instalación y funcionamiento*.
- Siga un programa habitual para el mantenimiento y el uso del grupo electrógeno, según se especifica en este manual.
- En interiores, se **deben** instalar y mantener detectores de monóxido de carbono, de conformidad con las instrucciones y las recomendaciones del fabricante. Las alarmas de incendios no pueden detectar el gas de monóxido de carbono.
- En interiores, se **deben** instalar y mantener detectores de humo, de conformidad con las instrucciones y las recomendaciones del fabricante. Las alarmas de monóxido de carbono no pueden detectar humo.



## Factores de la instalación a tener en cuenta

Las ilustraciones que se incluyen en el presente manual representan circunstancias típicas. Están diseñadas para hacer que se familiarice con las opciones de instalación que están disponibles para el grupo electrógeno.

Siempre debe tener en cuenta los factores de instalación tales como los códigos federales y locales, el aspecto, los niveles de ruido, los tipos de combustible y las distancias. A medida que aumenta la distancia del servicio eléctrico y el suministro de combustible gaseoso existentes, y que aumenta la cantidad de curvas en el suministro de combustible, los instaladores deberán realizar compensaciones por los materiales del cableado y las tuberías. Tales compensaciones son necesarias para cumplir con los códigos locales y superar las reducciones de tensión eléctrica y las reducciones de presión del combustible gaseoso.

## Inspección de la entrega

Evite daños por caídas, golpes o choques con la caja de envío.

Luego de retirar la caja, inspeccione con atención el generador para detectar cualquier daño que pudo haber ocurrido durante el envío.

Si el propietario descubre alguna pérdida o daño al momento de la entrega, deberá pedirle a la o las personas que realizan la entrega que documenten dicha pérdida o dicho daño en la factura del flete y que firmen el memorando de pérdida o daño del expedidor. Si el propietario nota la pérdida o el daño después de la entrega, deberá separar los materiales dañados y luego comunicarse con el transportista para los procedimientos de reclamo. Las piezas que falten o estén dañadas no tienen garantía.

## Contenido del envío

**El sistema del grupo electrógeno incluye:**

- Aceite (5W-30 completamente sintético)
- LED de estado
- Línea de combustible flexible
- Acoplamiento de la tubería de combustible
- *Manual rápido de uso*
- Folleto de garantía de productos y emisiones
- Dos llaves de acceso
- Dos fusibles de tipo ATO de 15 amperios
- Cuatro tapas de orificios de elevación
- Retoque la pintura

**El sistema del grupo electrógeno no incluye (el propietario necesitará):**

- Detector(es) de monóxido de carbono
- Detector(es) de humo
- Batería de arranque
- Cable y conducto de conexión
- Válvulas y tubería de suministro de combustible
- Grúas, correas de elevación, cadenas o cables
- Dos tubos de acero de 60 pulgadas (152 cm) de longitud y 3/4 pulgada (1.90 cm) nominal mínimo de Schedule 40 (**no** de conducto)
- Destornillador de ajuste de par de apriete, rango de 5-50 pulgadas-libra
- Multímetro

## UBICACIÓN DEL GRUPO ELECTRÓGENO

Antes de instalar el grupo electrógeno, consulte al propietario de la casa y comuníquese los siguientes requisitos, que deberán cumplirse antes de llevar a cabo la instalación. Hay dos cuestiones de seguridad igualmente importantes que son la intoxicación por monóxido de carbono y el peligro de incendio. Antes de llevar a cabo la instalación, el instalador también deberá cumplir con diversos lineamientos generales respecto de la ubicación.

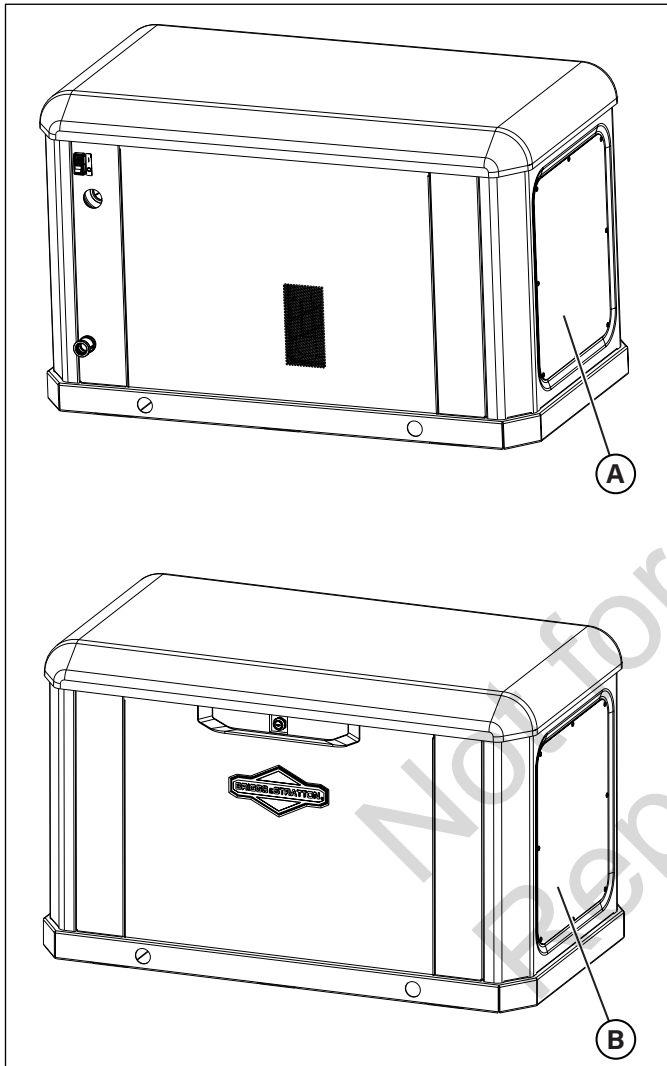
### ADVERTENCIA



**El escape del motor contiene monóxido de carbono, un gas venenoso que podría provocar lesiones graves o la muerte. Las personas y los animales no pueden percibirlo con el gusto, la vista o el olfato. Incluso si no siente el olor a gases de escape, podría estar expuesto al gas del monóxido de carbono.**

- **Utilice este producto ÚNICAMENTE en exteriores, en un lugar en el cual no se acumularán gases de escape letales.**
- **Oriente el gas de escape de manera que no ingrese por ventanas, puertas, tomas de aire de ventilación, ventilaciones de plafones, entresijos, puertas abiertas de garajes u otras aberturas que permitan que entre o sea aspirado hacia adentro de una construcción o estructura posiblemente habitada.**
- **En interiores, se DEBEN instalar y mantener detectores de monóxido de carbono, de conformidad con las instrucciones y las recomendaciones del fabricante. Las alarmas de incendios no pueden detectar el gas de monóxido de carbono.**
- **Si empieza a sentirse descompuesto, mareado o débil, o si suena la alarma de detección de monóxido de carbono mientras se usa este producto, diríjase de inmediato a un lugar con aire fresco. Llame a los servicios de emergencia. Podría haberse intoxicado con monóxido de carbono.**

- **NO utilice este producto dentro de hogares, garajes, sótanos, entresijos, cobertizos u otros espacios parcialmente cerrados, incluso si usa ventiladores o deja puertas y ventanas abiertas para ventilar. El monóxido de carbono se puede acumular rápidamente en esos espacios y puede quedar por horas, incluso después de haber apagado este producto.**



**Figura 1**

- (A) Lado de la salida de escape del recinto  
 (B) Lado de entrada de aire del recinto

## Consideraciones respecto de la ubicación del grupo electrógeno

La ubicación de la instalación del grupo electrógeno afecta directamente:

- La cantidad y el tamaño de las tuberías que se requieren para alimentar el combustible al grupo electrógeno
- La cantidad y el tamaño del cableado que se requiere para controlar y conectar el grupo electrógeno
- La seguridad de la instalación en cuanto a los peligros de los gases de escape y el monóxido de carbono, los riesgos de incendio, la proximidad a otros servicios públicos y la exposición a los elementos del clima.

En la sección Ubicaciones de los grupos electrógenos se incluyen lineamientos específicos de ubicación. El propietario y el instalador deberán analizar juntos en qué manera el lugar puede afectar a los costos de instalación y al cumplimiento de los códigos y las normas locales.

Hay dos cuestiones críticas de seguridad que son la intoxicación por monóxido de carbono y el peligro de incendio.

## Reducción de riesgo de intoxicación por CO

En altas concentraciones, el monóxido de carbono (CO) puede ser letal en tan solo minutos. Sin embargo, los efectos de concentraciones menores también pueden ser letales. Este gas genera peligros graves para los seres humanos y sus animales porque nadie puede percibirlo ni por el olfato, ni por la vista o el gusto. Los síntomas de la exposición al CO incluyen:

- Ojos irritados y llorosos
- Palpitación en las sientes
- Incapacidad para pensar coherentemente
- Zumbido en los oídos
- Dolor de cabeza
- Discurso incoherente o problemas de dicción
- Enrojecimiento de la cara
- Falta de atención
- Pérdida de coordinación física
- Presión en el pecho
- Somnolencia
- Náuseas
- Mareos
- Vómitos
- Fatiga
- Desmayos
- Convulsiones





Si usted (o alguien cerca de usted) sufre alguno de los síntomas anteriores, diríjase de inmediato a un lugar con aire fresco y llame a un servicio médico de urgencias por una posible intoxicación con monóxido de carbono. Si suena su alarma de monóxido de carbono mientras usa el producto, diríjase de inmediato a un lugar con aire fresco (incluso si no experimenta ninguno de los síntomas indicados previamente).

Nunca ubique el grupo electrógeno de reserva en un lugar en el que se puedan acumular hojas o residuos.

El escape del grupo electrógeno puede ingresar a través de ventanas, puertas y otras aberturas de una estructura. Entienda que el escape y el CO pueden filtrarse dentro de una estructura a través de las aberturas más pequeñas.

## Detectores de monóxido de carbono

*Nota:* La instalación en interiores de alarmas de CO que funcionen bien es la única manera de reconocer el gas de CO. Las alarmas de humo no detectan el gas de CO y no alertarán a los ocupantes de su presencia.

Un detector de CO es un dispositivo electrónico que detecta niveles peligrosos de CO. Cuando ocurre una acumulación de CO, el detector alertará a los ocupantes haciendo sonar una alarma y parpadear una luz indicadora visual.

Por ley, en muchos estados se exige que los hogares tengan un detector de monóxido de carbono (CO) en buenas condiciones de funcionamiento. En interiores, se **deben** instalar y mantener detectores de monóxido de carbono, de conformidad con las instrucciones y las recomendaciones del fabricante.

Comuníquese con la división de inspecciones de edificios local para conocer los requisitos relevantes en relación con el uso de los detectores de CO. Consulte el Código Nacional de Alarmas de Incendio y Señalización, NFPA 72, y la Sección R315 del Código Residencial Internacional (International Residential Code, ICC) para obtener más información.

## Posibles puntos de entrada de CO

Pautas de funcionamiento:

*Nota:* Utilice este producto **únicamente** en exteriores y en un lugar que no permita la acumulación de los gases de escape letales.

Nunca utilice este producto dentro de hogares, garajes, sótanos, entresijos, cobertizos, debajo de una plataforma u otros espacios parcialmente cerrados, y debe entender que aun usando ventiladores o abriendo puertas en estos lugares la ventilación puede no ser adecuada. El monóxido de carbono se puede acumular rápidamente en esos espacios prohibidos y puede quedar en el aire varias horas después de haber apagado este producto.

Pautas de instalación:

Al ubicar un recinto, siga todas las ilustraciones que se incluyen en este manual.

Oriente siempre el escape del motor del grupo electrógeno lejos de las zonas ocupadas. Durante el proceso de instalación, nunca deje expuestas las casas de sus vecinos al escape del motor que fluye de su grupo electrógeno de reserva.

## Protección de la estructura

Controle la estructura para garantizar que el sellado y enmasillado siguen siendo suficientemente adecuados para evitar el ingreso o la salida de aire por filtraciones. Examine la estructura para detectar huecos, grietas o aberturas alrededor de ventanas, puertas, plafones, tuberías y ventilaciones, ya que pueden permitir que el gas de escape y el CO ingresen a la estructura.

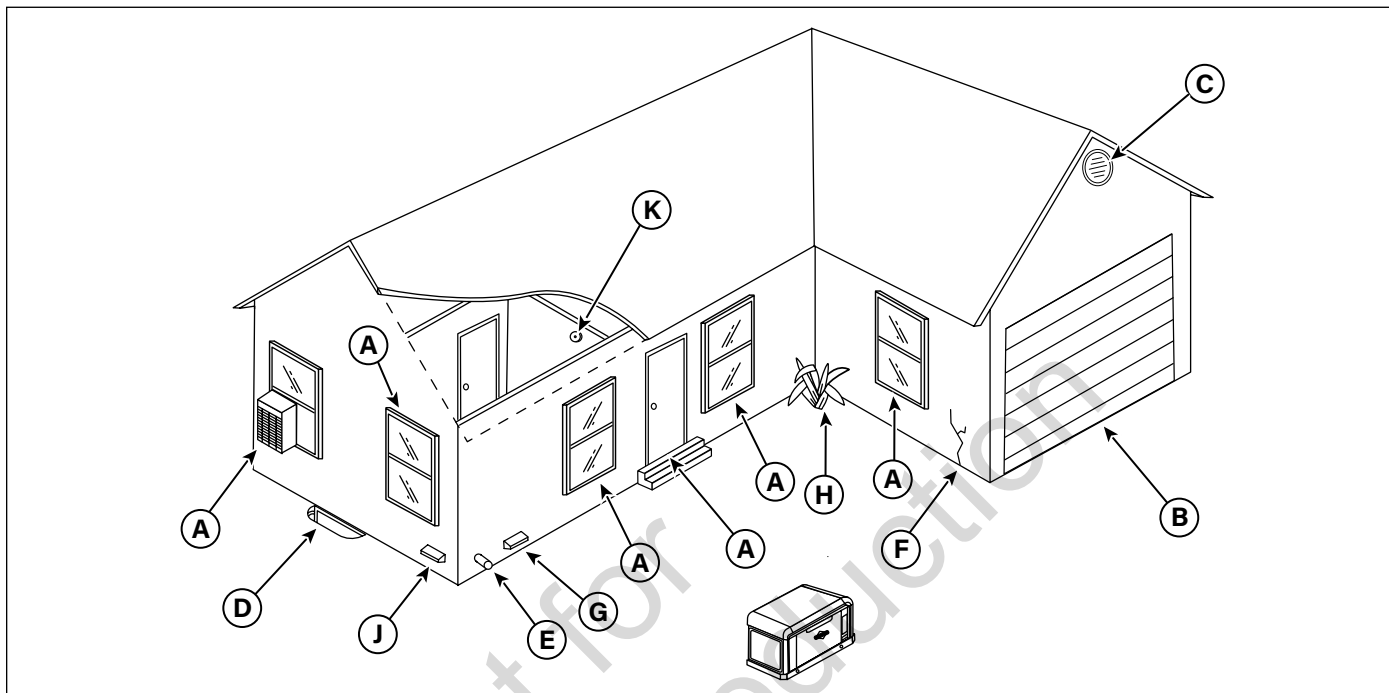


Figura 2

En la siguiente tabla se incluyen algunos ejemplos de posibles puntos de entrada para el gas de CO.

UBICACIÓN	PUNTO DE ENTRADA	EXPLICACIÓN
A	Puertas y ventanas	Las aberturas que forman parte del diseño arquitectónico de una estructura pueden permitir el ingreso de aire y CO en la estructura, especialmente cuando están abiertas.
B	Puerta de garaje	Una puerta de garaje abierta o mal sellada puede permitir que ingrese el flujo de CO al garaje.
C	Ventilación del ático	El escape del grupo electrógeno puede ingresar a través de las ventilaciones del ático y de las ventilaciones para los plafones, entrepisos, filos y techos.
D	Ventanas de sótanos	Las ventanas o trampillas de sótanos que permiten la ventilación hacia o desde el nivel más bajo de la estructura también permiten el ingreso de gas de CO a la estructura.
E	Admisión de aire de hornos o ventilación de escape	Las tuberías de escape de hornos y admisión de aire son puntos comunes de ingreso para el gas de CO.
F	Grietas en las paredes	Cualquier grieta en las paredes de una estructura, incluidos los cimientos y la lechada, y las separaciones alrededor de ventanas, puertas y tuberías pueden permitir el ingreso de CO.
G	Ventilación del secador	En ocasiones la ventilación del escape para el secador de ropa permite el ingreso de gas de CO a la estructura.
H	Restricciones del flujo de aire	En las zonas con esquinas estructurales y vegetación densa queda restringido el flujo de aire y se acumula gas de escape.
J	Sistema de reposición de aire	<i>Nota:</i> Mantenga todas las aberturas mecánicas y gravitaciones de admisión de aire exterior para los sistemas de suministro de aire de HVAC a 10 pies (3,0488 m) horizontalmente del recinto del grupo electrógeno. Consulte la sección 401 del Código de Mecánica ICC para obtener información sobre los requisitos.
K	Detector(es) de monóxido de carbono	<i>Nota:</i> La instalación de alarmas de CO en interiores que funcionen bien es la única manera de reconocer los gases de CO. Las alarmas de humo no detectan el gas de CO y no alertarán a los ocupantes de su presencia.

## Reducción del riesgo de incendio

Para ayudar a prevenir incendios, el grupo electrógeno se debe instalar a una distancia segura de todos los materiales combustibles. Los componentes del sistema de escape y del motor y el alternador se pueden calentar mucho durante el funcionamiento. Reduzca la probabilidad de que ocurra un incendio manteniendo la unidad adecuadamente ventilada, bien mantenida, libre de pérdidas de combustible y lejos de materiales combustibles. Además, se pueden acumular residuos inflamables dentro o fuera del recinto del generador y pueden encenderse, ocasionando un incendio.

Las normas federales e internacionales describen las distancias mínimas seguras alrededor y por encima del recinto del grupo electrógeno.

## Requisitos de distancia

El propietario deberá mantener las distancias mínimas alrededor del recinto del grupo electrógeno. Estas distancias existen principalmente para la prevención de incendios pero además aseguran el espacio adecuado para las tareas de mantenimiento, tales como la extracción de los paneles frontales y finales de la unidad.

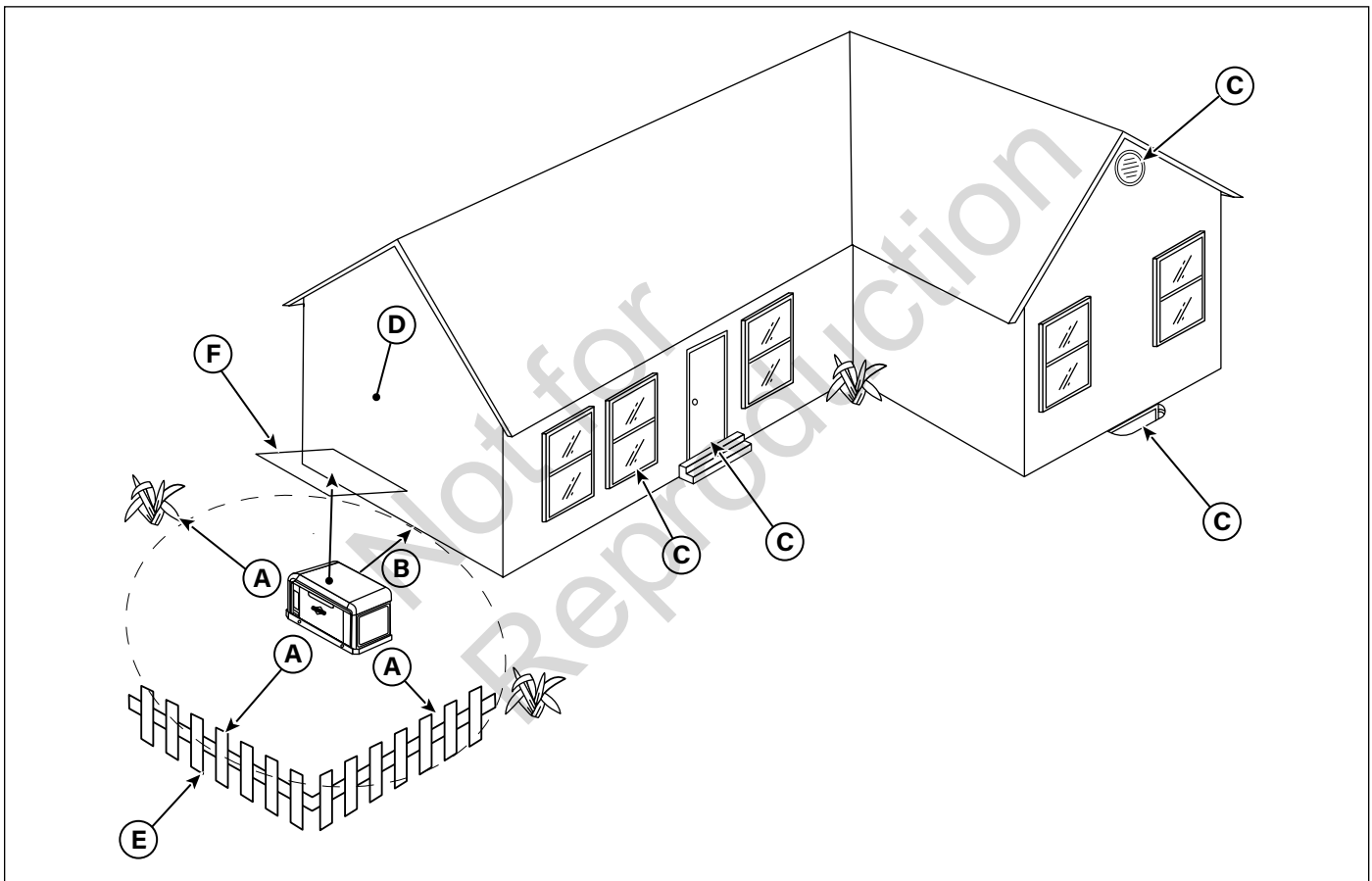


Figura 3

UBICACIÓN	ELEMENTO	EXPLICACIÓN
A	Distancia delantera y final	Mantenga una distancia mínima de 3 pies (0.91 m) frontal y de los paneles finales del grupo electrógeno. Mantenga arbustos, matorrales, plantas y árboles a esta misma distancia mínima de la unidad y nunca use vegetación para ocultarla.
B	Distancia trasera	Dado que las conexiones de combustible y electricidad se realizan allí, mantenga 18 pulgadas (45.70 cm) de distancia mínima según laboratorios de pruebas independientes, a menos que códigos estatales le indiquen lo contrario.
C	Ventanas, ventilaciones y aberturas	Mantenga todas las ventanas, puertas, ventilaciones, huecos de ventana o aberturas en la pared operables alejadas del punto del grupo electrógeno. Consulte la sección Protección de la estructura en este manual.
D	Pared existente	Mantenga el grupo electrógeno al menos a 18 pulgadas (457 mm) de las paredes existentes.
E	Cerca desmontable	Mantenga las cercas desmontables al menos a 3 pies (.91 m) del frente del grupo electrógeno. Las cercas desmontables incluyen bordes visibles, paneles para cercas y barreras transitorias sin zapatas.
F	Distancia aérea	Mantenga una distancia mínima de 5 pies (1.52 m) de todas las estructuras, voladizos y salientes de una pared.
G	Mantenimiento y servicio	Deje espacio adecuado para realizar mantenimiento de rutina, tales como realizar el mantenimiento del motor y el reemplazo de la batería. Nunca utilice arbustos, matorrales, árboles o plantas para ocultar el grupo electrógeno.

## Normas federales e internacionales

La instalación del grupo electrógeno deberá cumplir estrictamente con las normas ICC, IFGC, NFPA 37, NFPA 54, NFPA 58 y NFPA 70.

Asociación Nacional de Protección contra Incendios (National Fire Protection Association, NFPA) 37: Esta norma aborda la instalación y el uso de motores de combustión estáticos. Sus requisitos describen cómo mantener un grupo electrógeno cerrado a una distancia específica de una estructura o pared. Esta norma también exige que cuando ubique un grupo electrógeno, proporcione distancia adecuada para realizar tareas de mantenimiento y reparación, y espacio para las maniobras de los primeros en responder.

NFPA 37, Sección 4.1.4, Motores ubicados en exteriores: Este requisito especifica que los motores y sus carcasas impermeables (si se proporcionan) que se instalan en exteriores deben quedar a 5 pies (1.52 m) de las aberturas en las paredes y al menos 5 pies (1.52 m) de las estructuras con paredes combustibles. La norma no exige una separación mínima si existen las siguientes condiciones:

1. La pared adyacente de la estructura tiene un valor nominal de resistencia ignífuga de al menos una hora.
2. Cuando un ensayo de incendio que implica el consumo de los materiales combustibles disponibles, dentro del motor o, de proveerse, de su carcasa impermeable, demuestra que un incendio que se origine en el motor o en su carcasa impermeable no encenderá estructuras combustibles.

## Anexo A: Material explicativo

A4.1.4 (2): Este requisito significa que para demostrar el cumplimiento se requiere realizar un ensayo de incendio a escala completa o seguir procedimientos de cálculo.

Este requisito concluye que debido al espacio limitado que está frecuentemente disponible para la instalación de la unidad, excepto (2) es conveniente para numerosas instalaciones residenciales y comerciales. El fabricante contrató un laboratorio de pruebas independiente para realizar ensayos de incendios a escala completa.

El objetivo final del ensayo de incendio era determinar la peor situación absoluta de incendio dentro del grupo electrógeno y calcular el riesgo de ignición de elementos fuera del recinto del motor a distancias específicas. Tenga en cuenta que el recinto está fabricado de materiales no combustibles. Los resultados de pruebas de laboratorio independientes demostraron que cualquier incendio que se inicie dentro del recinto del grupo electrógeno no representaría un riesgo de inflamabilidad para los materiales combustibles o las estructuras cercanos durante por lo menos una hora.

Si se combinan los resultados de estos ensayos a escala completa y los requisitos de la norma NFPA 37, Sección 4.1.4, los lineamientos para la instalación de los grupos electrógenos previamente indicados cambian a 18 pulgadas (45.72 cm) del lado posterior del grupo electrógeno a una pared fija o edificio. A fin de mantener la distancia para un mantenimiento y flujo de aire adecuados, la zona que está por encima del grupo electrógeno debe ser de al menos 5 pies (1.52 m), con un mínimo de 3 pies (0.91 m) en el frente y los finales del recinto. Mantenga los árboles, los arbustos, las plantas y los matorrales dentro de los requisitos de distancia para evitar que se obstruya el flujo de aire. Además, tenga en cuenta que los gases de escape que fluyen desde el generador podrían detener el crecimiento de las plantas. Consulte la Figura 3 para obtener más información.

## Otros lineamientos generales de ubicación

- Ubique el grupo electrógeno de reserva en un lugar preparado que sea plano y cuente con drenaje de agua.
- Instale el grupo electrógeno de reserva en un lugar donde la descarga de la bomba del sumidero, la bajada del desagüe de lluvia, el escurrimiento del techo, el riego del jardín o los rociadores de agua no puedan inundar la unidad o mojar el recinto e ingresar por las aberturas de entrada o salida de aire.
- Instale el grupo electrógeno de reserva en un lugar donde no afecte ni obstruya los servicios (incluidos aquellos cubiertos, ocultos o subterráneos), tales como teléfono, electricidad, combustible (gas natural o vapor de LPG), riego, aire acondicionado, cable, fosa séptica, alcantarillado, pozo, etc.
- Instale el grupo electrógeno de reserva donde las aberturas de entrada y salida de aire no puedan quedar obstruidas por hojas, césped, nieve y otros materiales. Construya un cortavientos para proteger la unidad si en el lugar es común que haya vientos dominantes que provocan arrastre y desplazamientos.

## INSTALACIÓN

### Elevación del grupo electrógeno

**⚠ ADVERTENCIA** **⚠ Tensión peligrosa - El contacto con líneas de alta tensión podría provocar electrocución o quemaduras y causar lesiones graves o la muerte.**

- Si se utiliza equipo de elevación o izado, **NO debe entrar en contacto con las líneas de alta tensión.**
- **NO eleve ni mueva el grupo electrógeno sin ayuda.**

Se deben usar herramientas, equipos y personal calificado adecuados en todas las fase de la manipulación y el traslado del grupo electrógeno. El peso aproximado del grupo electrógeno figura en la sección "Especificaciones del grupo electrógeno".

Utilice los orificios de elevación (A) que están en la base del grupo electrógeno para elevarlo y colocarlo sobre la plataforma de hormigón. Eleve el grupo electrógeno de conformidad con lo establecido por la Administración de Salud y Seguridad Ocupacional (Occupational Safety and Health Administration, OSHA) o las normas de izado locales. Retoque la pintura saltada con la pintura para retoques suministrada.

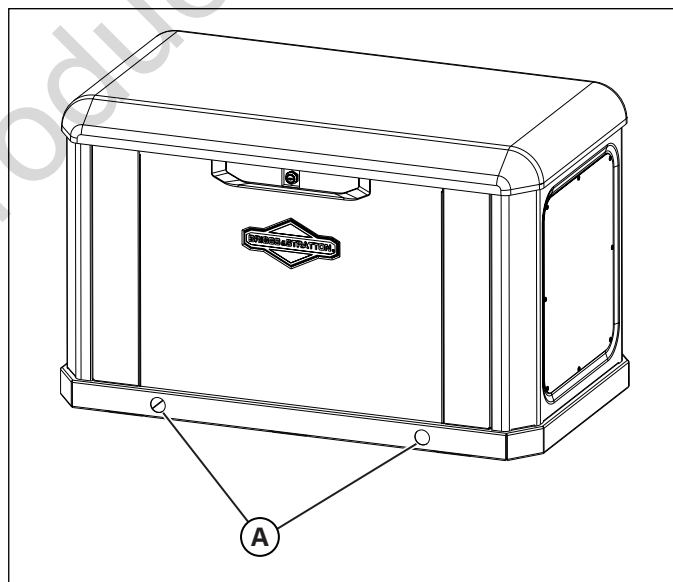


Figura 4

## Kit para climas fríos

Si el grupo electrógeno funciona a temperaturas de menos de 30° F (-1° C), Briggs & Stratton **recomienda enfáticamente** que el instalador coloque un kit para climas fríos.

Kit de calentador de cárter de aceite, Número de pieza 6840-00, incluye:

- Calentador de cárter de aceite
- Soportes de instalación
- Elementos de ferretería
- Arnés

Kit de calentador del regulador de combustible, Número de pieza 6845-00, incluye:

- Calentador del regulador
- Soporte del deflector
- Arnés

Kit de calentador de batería, Número de pieza 6869-00, incluye:

- Calentador de batería
- Arnés

Solicite estos artículos en el distribuidor de servicio de mantenimiento local.

Para obtener más información, llame al **800-732-2989** entre las 8:00 a. m. y las 5:00 p. m. CT.

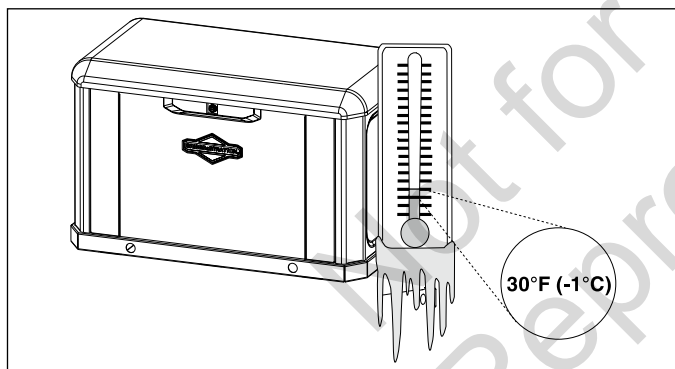


Figura 5

## Anclaje y clasificación del viento

### Anclaje de hormigón de la unidad a la placa vertida o existente

Para alcanzar la clasificación de viento indicada, el grupo electrógeno se debe instalar en estricto cumplimiento de este *Manual de instalación y funcionamiento*. Los componentes del producto deben ser del material especificado y todos los tornillos se deben instalar de acuerdo con las disposiciones aplicables y las instrucciones de instalación publicadas por el fabricante del anclaje.

La losa o la plataforma de hormigón debe cumplir con los requisitos que se incluyen a continuación y el grupo electrógeno se debe anclar con uno de los siguientes tipos de anclajes.

## Tipos de anclaje

1. Cantidad (4) 3/8" diám. ITW Red Head de gran diámetro Tapcon (LTD) con empotrado 1-1/2", 2" de borde mín. de hormigón y 6" de distancia mín. de los tipos de anclaje de hormigón circundantes. Si el anclaje no proporciona una arandela integrada de D. E. de 0.812" como mín. con el empaque, utilice una (1) arandela de 0.812" de D. E. como mínimo por cada anclaje.
2. Cantidad (4) DeWalt Screw-Bolt+ de 3/8" diám. con 1-1/2" de incrustación, filo de hormigón de por lo menos 4", y distancia de por lo menos 6" de los tipos de anclaje de hormigón circundantes. Si el anclaje no proporciona una arandela integrada de D. E. de 0.812" como mín. con el empaque, utilice una (1) arandela de 0.812" de D. E. como mínimo por cada anclaje.
3. Cantidad (4) Perno 3/8"-16 SAE Gr. 2 mín. o acero inoxidable (SS) con arandela de 0.812" de D. E. mín. Asegure un enganche de rosca de 1/2" mín. U.N.O. por el fabricante del perno y/o el inserto.

Hay cuatro orificios de ubicación de 7/16 pulgadas (A) en la base del grupo electrógeno en los que anclar la unidad.

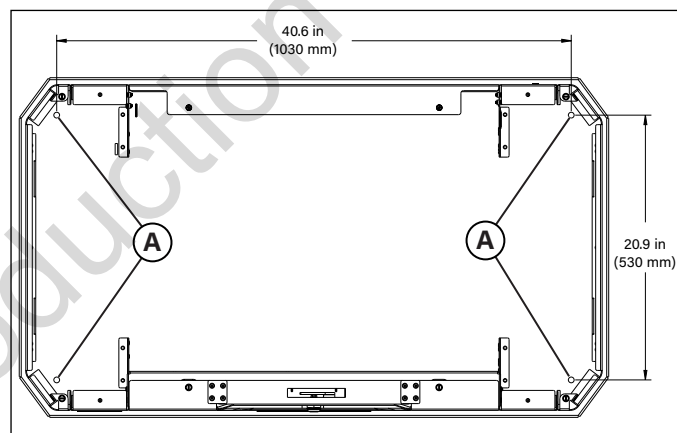


Figura 6

## Tipos de losa/plataforma de hormigón

CLASIFICACIÓN DEL VIENTO MPH	TIPO DE ANCLAJE	MODELO DE PLATAFORMA	DIMENSIONES DE PLATAFORMA			ESPECIFICACIONES DEL HORMIGÓN
			ANCHO	LARGO	ESPESOR	
Hasta 186 (en inclinación)	3	Prefabricada (comuníquese con el distribuidor)	37 pulg. (940 mm)	55 pulg. (1397 mm)	4 pulg. (102 mm)	3000 psi (20.7 MPa)
Hasta 186 (en inclinación)	1 o 2	Vertido	37 pulg. (940 mm)	55 pulg. (1397 mm)	4 pulg. (102 mm)	3000 psi (20.7 MPa)

Solicite estos artículos en el distribuidor de servicio de mantenimiento local.

### AVISO

A menos que lo exijan los códigos locales o estatales, o que se requiera para lograr la clasificación de viento, no se requiere una losa o plataforma de hormigón.

## Ubicaciones de las entradas de electricidad y combustible

El conector de entrada de combustible de 3/4 pulgada N.P.T. (A) y las ubicaciones de las entradas de electricidad (B) se muestran en la .

Se suministra un orificio de 1.73 pulgada (44 mm) para la entrada eléctrica. Asegúrese de que el o los conductos instalados entren en la unidad en la zona (C) como se muestra en el dibujo a continuación para que entren correctamente en la caja eléctrica y no interfieran con el techo totalmente abierto.

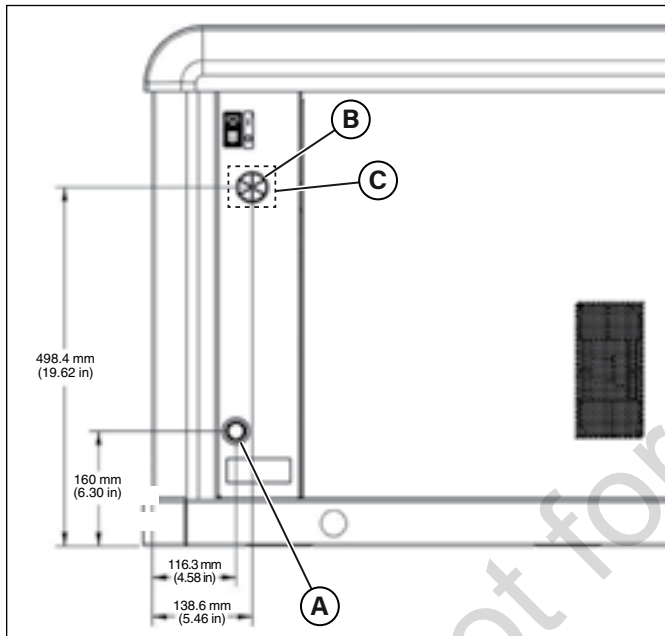


Figura 7

## Paneles de acceso

El recinto del grupo electrógeno cuenta con varios paneles de acceso, como se indica.

Los paneles de acceso y los componentes que están ubicados detrás de ellos se indican a continuación:

(A) Techo (Controlador, filtro de aire, varilla de medición de aceite y disyuntor)

(B) Panel de acceso frontal (drenaje de aceite, filtro de aceite, batería)

(C) Tapa de extremo, Extremo del controlador (cubierta de cableado de caja de control, regulador de combustible, selector de combustible, etiqueta de datos del grupo electrógeno)

(D) Tapa de extremo, Final de escape (ventilador del alternador)

(E) Panel de acceso trasero (arrancador de motor, relé de arrancador)

(F) Cubierta de cableado de la caja de control (cableado de campo, cableado de control)

Cada grupo electrógeno se envía con un juego de llaves idénticas sujetas al solenoide de combustible.

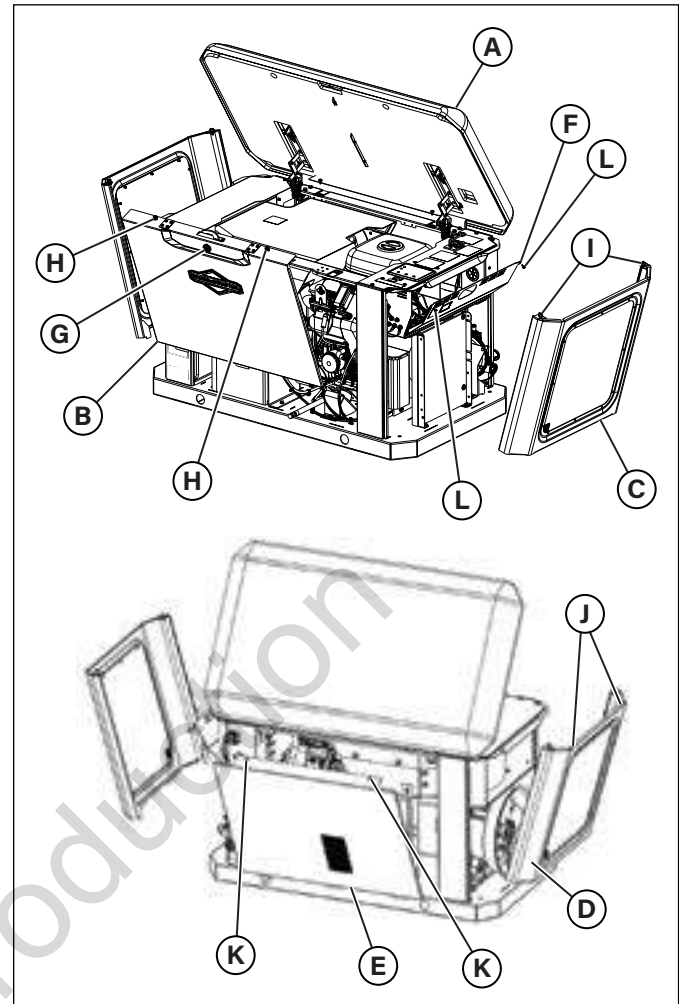


Figura 8

### Apertura del techo (A):

1. Inserte la llave en la cerradura (G) del panel frontal (B). Oprima con suavidad el techo por encima de la cerradura para ayudar a girar la llave. Gire la llave un cuarto de giro en el sentido de las agujas del reloj.
2. Levante el techo (A) hasta dejarlo abierto.

### Extracción del panel frontal (B):

1. Afloje las dos sujetaciones con autorretención (H) que sujetan el panel a la unidad.
2. Eleve el panel para extraerlo de la unidad.

### Fijación del panel frontal (B):

1. Ubique el panel dentro de la unidad, alineando las pestañas del panel dentro de las ranuras sobre la base.
2. Ajuste las dos sujetaciones con autorretención (H) que sujetan el panel a la unidad.





**Extracción de la tapa de extremo, extremo del controlador (C):**

1. Afloje las dos sujeciones con autorretención (I) que sujetan la tapa de extremo a la unidad.
2. Eleve la tapa de extremo para sacarla de la unidad.

**Fijación de la tapa de extremo (C):**

1. Ubique la tapa de extremo dentro de la unidad, alineando las pestañas de la tapa de extremo dentro de las ranuras de la base.
2. Ajuste las dos sujeciones con autorretención (I) que sujetan el panel a la unidad.

**Extracción de la tapa de extremo, extremo de escape (D):**

1. Afloje las dos sujeciones con autorretención (J) que sujetan la tapa de extremo a la unidad.
2. Eleve la tapa de extremo para sacarla de la unidad.

**Fijación de la tapa de extremo, extremo de escape (D):**

1. Ubique la tapa de extremo dentro de la unidad, alineando las pestañas de la tapa de extremo dentro de las ranuras de la base.
2. Ajuste las dos sujeciones con autorretención (J) que sujetan el panel a la unidad.

**Extracción del panel trasero (E):**

1. Con un destornillador Phillips, afloje dos sujeciones con autorretención (K) que sujetan el panel a la unidad.
2. Con un destornillador de hoja estándar, levante suavemente el borde del panel trasero para sacarlo del riel trasero.
3. Inclíne el panel trasero atrás debajo del techo (A).
4. Mueva la parte posterior de la unidad y levante el panel trasero para sacarlo.

**Fijación del panel trasero (E):**

1. Mueva la parte posterior de la unidad y ubique el panel trasero dentro de la unidad, alineando las pestañas del panel dentro de las ranuras en la base.
2. Inclíne el panel trasero adelante debajo del techo (A).
3. Del frente o el costado de la unidad, alinee las sujeciones (K) y ajústelas con un destornillador Phillips.

**Extracción de la cubierta de cableado de la caja de control (F):**

1. Extraiga dos sujeciones (L) que sujetan la cubierta de cableado de la caja de control a la caja de control.
2. Inclíne la cubierta de cableado de la caja de control hacia abajo para acceder al cableado de campo y control.

**Fijación de la cubierta de cableado de la caja de control (F):**

1. Inclíne la cubierta de cableado de la caja de control hacia arriba.
2. Sujete la cubierta de cableado de la caja de control con las dos sujeciones (L).

**Esquema de instalación de combustible**

**ADVERTENCIA**   El propano y el gas natural son sumamente inflamables y explosivos, con lo cual pueden causar quemaduras, incendios o explosiones que provoquen lesiones graves o la muerte.

- La instalación debe realizarla un profesional certificado.
- Instale el sistema de suministro de combustible de conformidad con la norma 37 NFPA y los restantes códigos de combustible-gas vigentes.
- Antes de poner en funcionamiento el grupo electrógeno, purgue correctamente las líneas del sistema de combustible y verifique que no haya ninguna pérdida.
- NO se permite que haya ninguna pérdida.
- NO opere el motor si siente olor a combustible.

**AVISO** NO instale la línea flexible de combustible suministrada bajo tierra o en contacto con el suelo.

- Mantenga toda la línea flexible de combustible a la vista para inspeccionarla periódicamente. No la oculte ni la pase por ninguna pared, piso o tabique. Nunca deje que la línea entre en contacto con estas estructuras.

La siguiente información explica la fase de planificación de instalaciones para técnicos que se especializan en sistemas de combustibles gaseosos. Obedezca siempre los códigos de combustible-gas locales vigentes que afectan el lugar de instalación. Consulte a su proveedor local de combustible o con el jefe de bomberos si le surgen dudas o problemas.

**ADVERTENCIA**  **El propano y el gas natural son sumamente inflamables y explosivos, con lo cual pueden causar quemaduras, incendios o explosiones que provoquen lesiones graves o la muerte.**

- El grupo electrógeno cuenta con una válvula automática de seguridad de cierre de gas combustible.
- **NO haga funcionar el equipo si falta la válvula de cierre o si no funciona.**
- **El gas licuado de petróleo (PL) es más pesado que el aire y se asienta en zonas bajas.**
- **El gas natural es más ligero que el aire y se acumula en zonas altas.**
- **La más ligera chispa podría encender estos combustibles y provocar una explosión.**
- **NO encienda un cigarrillo y NO fume.**

**PARA EL INSTALADOR:** Antes de aplicar los presentes lineamientos, consulte con el o los propietarios las consideraciones técnicas que afectan sus planes de instalación.

Las siguientes reglas generales se aplican a las tuberías del sistema de combustibles gaseosos:

- El material de la tubería debe cumplir con los códigos federales y locales, tener montaje rígido y protección contra las vibraciones.
- Proteja la tubería de daños físicos, especialmente cuando pasa a través de macizos de flores y arbustos, y otras superficies cultivadas donde se pueden producir daños.
- Instale la línea flexible de combustible suministrada (B) entre el puerto de entrada de combustible (A) del grupo electrógeno y la tubería rígida para evitar que la dilatación y contracción térmicas provoquen un esfuerzo excesivo sobre el material de la tubería.
- Proporcione una unión (C) o una conexión bridada en el tramo descendente para permitir la extracción en el futuro.
- Instale un puerto de prueba de manómetro (D) para los combustibles de vapor. Utilice el puerto para instalar un manómetro y comprobar si el motor recibe la presión de combustible correcta para su funcionamiento. Consulte el centro de servicio por un manómetro digital o analógico diseñado para combustibles de vapor únicamente (número de pieza 19495). Después de llevar a cabo las pruebas iniciales, extraiga el manómetro y tape el puerto.
- Para combustibles de vapor únicamente: Proteja la tubería contra la congelación en los lugares que tienen tendencia a la formación de hidratos o hielo. Cuando haga la terminación de tuberías duras, use una trampa de sedimentos (E) en la que no sea probable que el condensado se congele.

- Se deberá instalar como mínimo una válvula de cierre manual (F) accesible y aprobada en la línea de suministro de combustible dentro de los 6 pies (1.8 m) del grupo electrógeno.
- Instale una válvula de cierre manual en el interior del edificio.
- Aumente la potencia y flexibilidad de las conexiones y los soportes de tuberías en lugares en los que con frecuencia ocurren terremotos, tornados, peligros de inundaciones y suelo inestable.
- Asegúrese de que el tamaño de la tubería sea suficientemente adecuado como para mantener las presiones de suministro y el flujo de volumen requeridos con condiciones de carga variables del grupo electrógeno, con todos los artefactos a gas conectados al sistema de combustible encendidos y en funcionamiento.
- Utilice un sellador de tuberías o un compuesto para juntas aprobado para su uso con gas natural/petróleo licuado en todos los accesorios roscados para reducir la posibilidad de una pérdida.

### AVISO

*Mantenga el sellador de roscas fuera de la tubería de gas para evitar que se dañen las piezas de los componentes.*

- *Purgue y someta a prueba de fugas de manera adecuada las tuberías de conformidad con los códigos y las normas aplicables.*

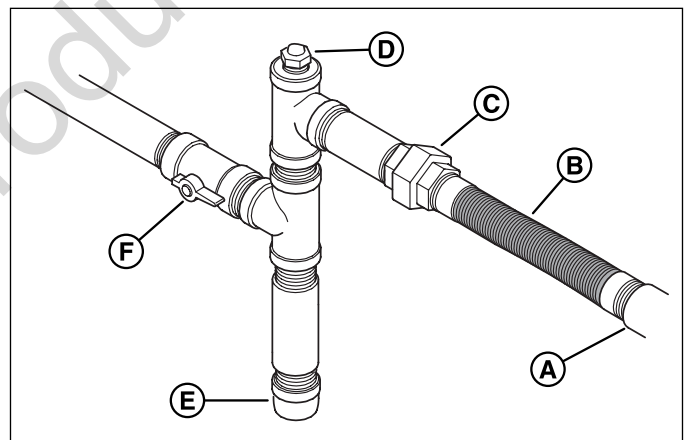


Figura 9

- (A) Entrada de combustible del grupo electrógeno
- (B) Línea de combustible flexible
- (C) Conexión de la unión
- (D) Puerto de prueba del manómetro
- (E) Trampa de sedimentos
- (F) Válvula de cierre manual

## Consumo de combustible

En el siguiente cuadro se presentan los requisitos estimados de suministro de combustible con la carga media y máxima para combustibles de vapor de petróleo licuado (PL) y gas natural.

### Combustible GN

		17 kW	20 kW	26 kW
<b>Mitad de carga</b>	BTU/hr	170,000	187,000	206,000
	ft3/hr	170	187	206
<b>Carga máxima</b>	BTU/hr	248,000	260,000	323,000
	ft3/hr	248	260	323

### Combustible PL

		17 kW	20 kW	26 kW
<b>Mitad de carga</b>	BTU/hr	185,000	208,000	235,000
	ft3/hr	74	83	94
	gal/hr	2.10	2.30	2.60
<b>Carga máxima</b>	BTU/hr	295,000	338,000	427,000
	ft3/hr	118	135	171
	gal/hr	3.30	3.70	4.70

Propiedades físicas	Vapor de PL	Gas Natural
Estado atmosférico normal	Gas	Gas
Punto de ebullición (°F)	-44	-259
Valor de calentamiento: BTU por galón (LHV neto*)	83,340	63,310
BTU por galón (bruto**)	91,547	
BTU por pies cúbicos (gas)	2,500	1,000
Densidad***	36.39	57.75
Peso†	4.24	2.65

\* LHV (Alto valor de calor) es la clasificación más realista.

\*\* El valor de calor bruto no considera el calor perdido en forma de agua durante la combustión.

\*\*\* La densidad se da en "Pies cúbicos de gas por galón de líquido."

† El peso se da en "Libras por galón de líquido."

## Tipo de combustible

Deberá tener en cuenta el tipo de combustible que usa su grupo electrógeno dado que afecta a todo el proceso de instalación. El sistema se probó de fábrica y se lo ajustó usando gas natural pero se lo puede convertir para que use vapor de petróleo licuado. Para el funcionamiento correcto del motor, tenga en cuenta los factores que afectan a cada uno de estos combustibles, tales como su ubicación y la duración de las posibles interrupciones en la red pública.

- Use combustible limpio y seco que no contenga humedad ni materiales particulados. Si se usan combustibles que están fuera de los valores recomendados, pueden ocurrir problemas de rendimiento.
- En los motores ajustados para funcionar con propano (petróleo licuado), utilice únicamente propano HD-5 de grado comercial.

Los motores a gas natural o PL están certificados para funcionar con gas natural o gas propano líquido. El sistema de control de emisiones para este motor es EM (modificaciones del motor).

## Presión del combustible

Tanto el vapor de PL como el gas natural suministran presión en el puerto de entrada de combustible del grupo electrógeno y debe estar en un valor mínimo a plena carga con todos los artefactos a gas encendidos y en funcionamiento.

El gas natural debe alcanzar 3.5 a 7 pulgadas (8.89-17.78 cm) de columna de agua (WC).

El petróleo licuado debe alcanzar 11 a 14 pulgadas (27.94-35.56 cm) de WC.

Asegúrese de que todas las válvulas de cierre de las líneas de gas están ABIERTAS y que haya presión de combustible adecuada en cualquier momento que se requiera un funcionamiento automático.

## Pérdida de potencia

La densidad del aire se reduce a grandes altitudes, lo que provoca que haya menor potencia de motor disponible. La potencia del motor se puede reducir en un 4.8% por cada 1000 pies (305 m) por encima de la altitud nominal de 800 pies (250 m) y en un 1.1% por cada 10° F (5.6° C) a más de 77° F (25° C). Ajuste el interruptor de transferencia de cualquier grupo electrógeno que esté ubicado en un lugar afectado por grandes altitudes y reducciones de potencia.

Consulte el *Manual del interruptor de transferencia automática* para obtener información sobre el proceso de ajuste para una reducción de potencia.

## Sistema de combustible gaseoso

### Tamaño de la tubería de combustible

El instalador usa comúnmente NFPA 54 y 58 como recursos sobre este tema. El instalador deberá tener en cuenta el peso específico del gas, compensar una cantidad nominal de restricción por los codos y las conexiones, y consultar los códigos federales y locales para orientarse.

### Conversión de combustible

El motor de su grupo electrógeno doméstico se calibra de fábrica y se ajusta para que funcione con gas natural pero también puede funcionar a vapor de petróleo licuado.

#### AVISO

Las unidades se ajustan para GN en la fábrica.

Para convertir la unidad a cualquiera de los dos combustibles, siga estos pasos:

1. Ponga la llave en la cerradura del panel frontal. Oprima ligeramente el techo que está por encima de la cerradura y luego gire la llave un cuarto de giro en el sentido de las agujas del reloj.
2. Levante el techo hasta la posición OPEN (abierto).
3. Oprima el botón OFF (apagado) del controlador.
4. Extraiga el fusible de 15 amperios del portafusibles que está debajo del controlador.
5. Sáquele la alimentación de la red pública al grupo electrógeno para desactivar el cargador de la batería.
6. Desconecte el cable negativo (-) de la batería.
7. Extraiga el extremo del controlador de la tapa de extremo.
8. Encuentre la válvula selectora de combustible (A) arriba del regulador de combustible (B). Consulte la Figura 10.

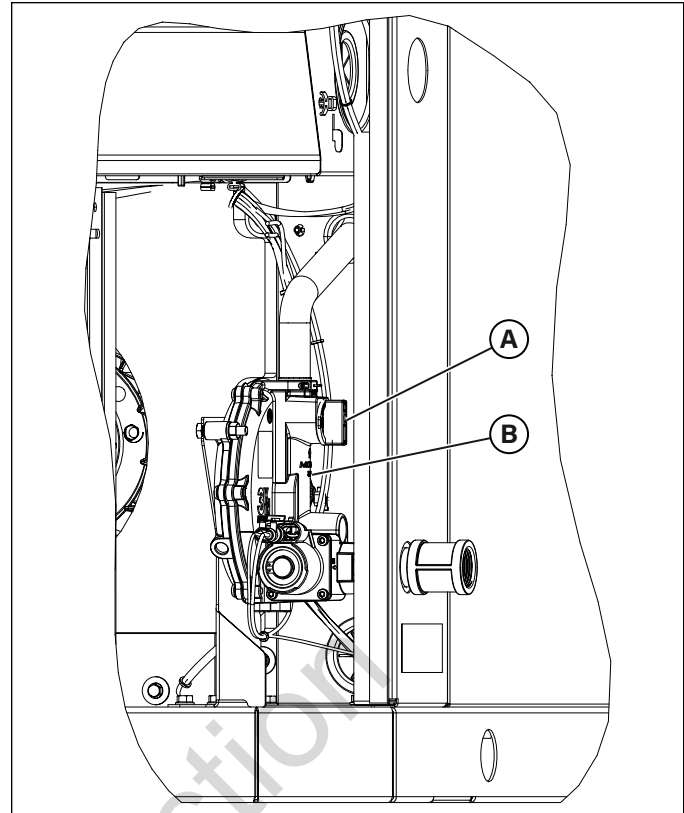


Figura 10

9. Para ajustar la válvula selectora de combustible:
  - A. Para PL, gire la palanca (C) de la válvula selectora de combustible hasta que PL quede alineado con "OUT" (salida) en el regulador de combustible.

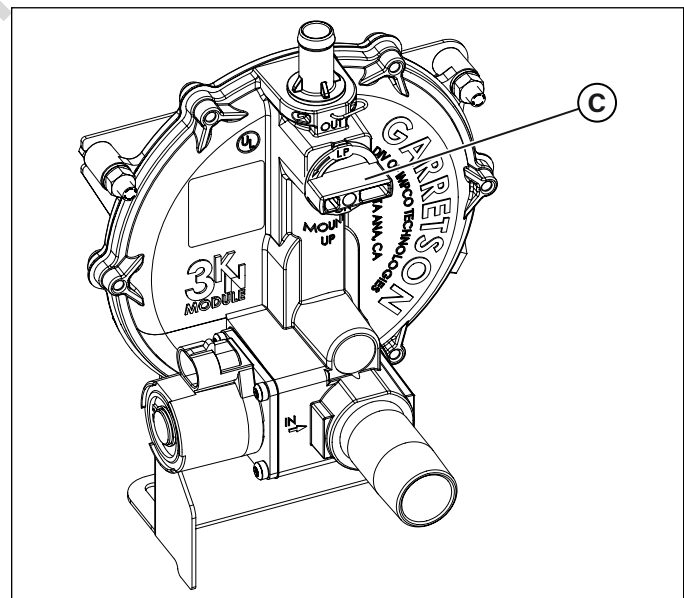


Figura 11



- B. Para GN, gire la palanca 90° en el sentido de las agujas del reloj de manera que la posición de la manija de la palanca sea arriba y abajo y las letras "GN" (D) estén a la izquierda.

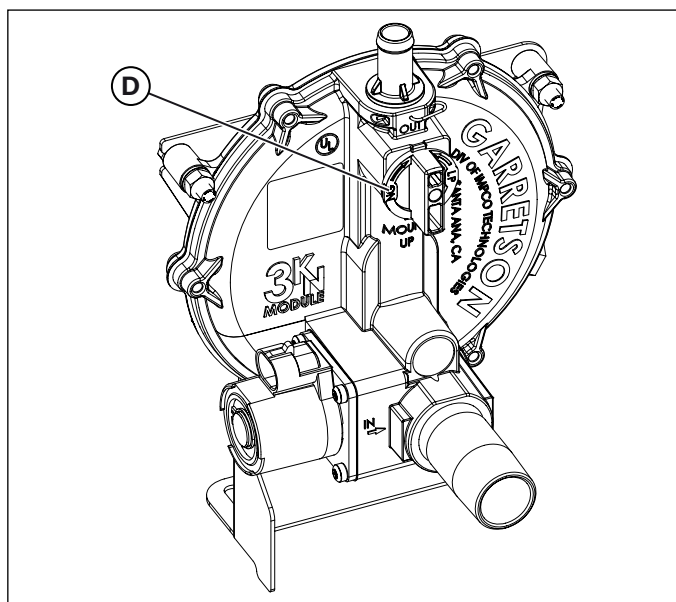


Figura 12

10. Encuentre el interruptor selector de combustible (E) en el compartimiento del motor. Consulte la Figura 13.  
11. Elija PL o GN.

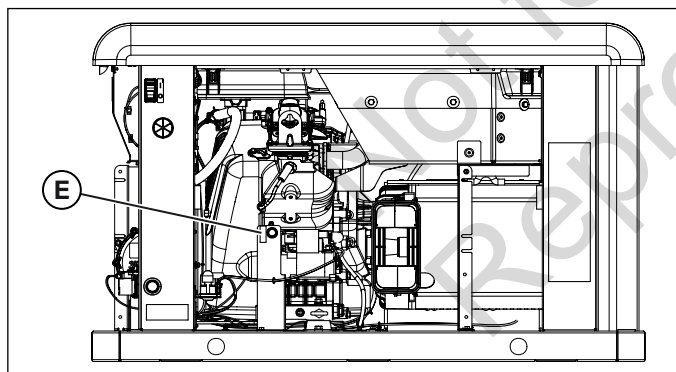


Figura 13

12. Conecte el cable negativo (-) de la batería.  
13. Coloque el extremo del controlador de la tapa de extremo.  
14. Coloque el fusible de 15 amperios.  
15. Oprima y mantenga presionado el botón de configuración del controlador para acceder al menú de configuración.  
16. Oprima el botón de selección para editar los elementos del menú de configuración.

17. Para ajustar el controlador del grupo electrógeno para el combustible PL, ingrese al menú de configuración con la contraseña del distribuidor, que está disponible en el Power Portal.  
18. Navegue a "select profile" (seleccionar perfil) y oprima "select" (seleccionar) en el perfil correcto del grupo electrógeno. Por ejemplo, elija "20KW\_LP" para operar una unidad de 20 kW que funciona con combustible PL.

*Nota:* Si se selecciona un perfil que no está diseñado para el grupo electrógeno, este puede funcionar de manera errática y podrían causarse daños.

19. Para guardar la nueva configuración de combustible, oprima y mantenga presionado el botón stop/config (parar/configurar) hasta que aparezca "Saving Settings..." (guardando configuraciones).  
20. Para obtener más información sobre el funcionamiento del controlador del grupo electrógeno, consulte las *Instrucciones de funcionamiento del Manual* del controlador del GRUPO ELECTRÓGENO de la SERIE GC1030 GENSET, número de pieza 80086364.  
21. Oprima el botón **auto (automático)** del controlador.  
22. Restablezca la alimentación de la red al grupo electrógeno.  
23. Cierre el techo.

## Conexiones del campo eléctrico

**⚠ ADVERTENCIA**  **La tensión del grupo electrógeno podría provocar electrocución o quemaduras que causen lesiones graves o la muerte.**

- La instalación debe realizarla un profesional certificado.
- Desconecte todas las fuentes de electricidad antes de realizar trabajos de instalación o mantenimiento en el equipo.
- Conecte a tierra el sistema antes de aplicarle energía eléctrica.

**⚠ ADVERTENCIA**  **Tensión peligrosa - Instalar cables de alta y baja tensión en el mismo conducto podría ocasionar electrocución o quemaduras que causen lesiones graves o la muerte.**

- No pase el cable de alta y baja tensión en el mismo conducto a menos que el valor nominal de aislamiento de TODO el cableado esté clasificado para 600 V. Consulte NFPA 70 para obtener más información.

Las conexiones de baja tensión se realizan a través de un bloque de terminales de conexiones de campo (E) en el área eléctrica principal. Compare la siguiente ilustración con su grupo electrógeno para familiarizarse con la ubicación de estas conexiones.

## Ubicación del conector del sistema

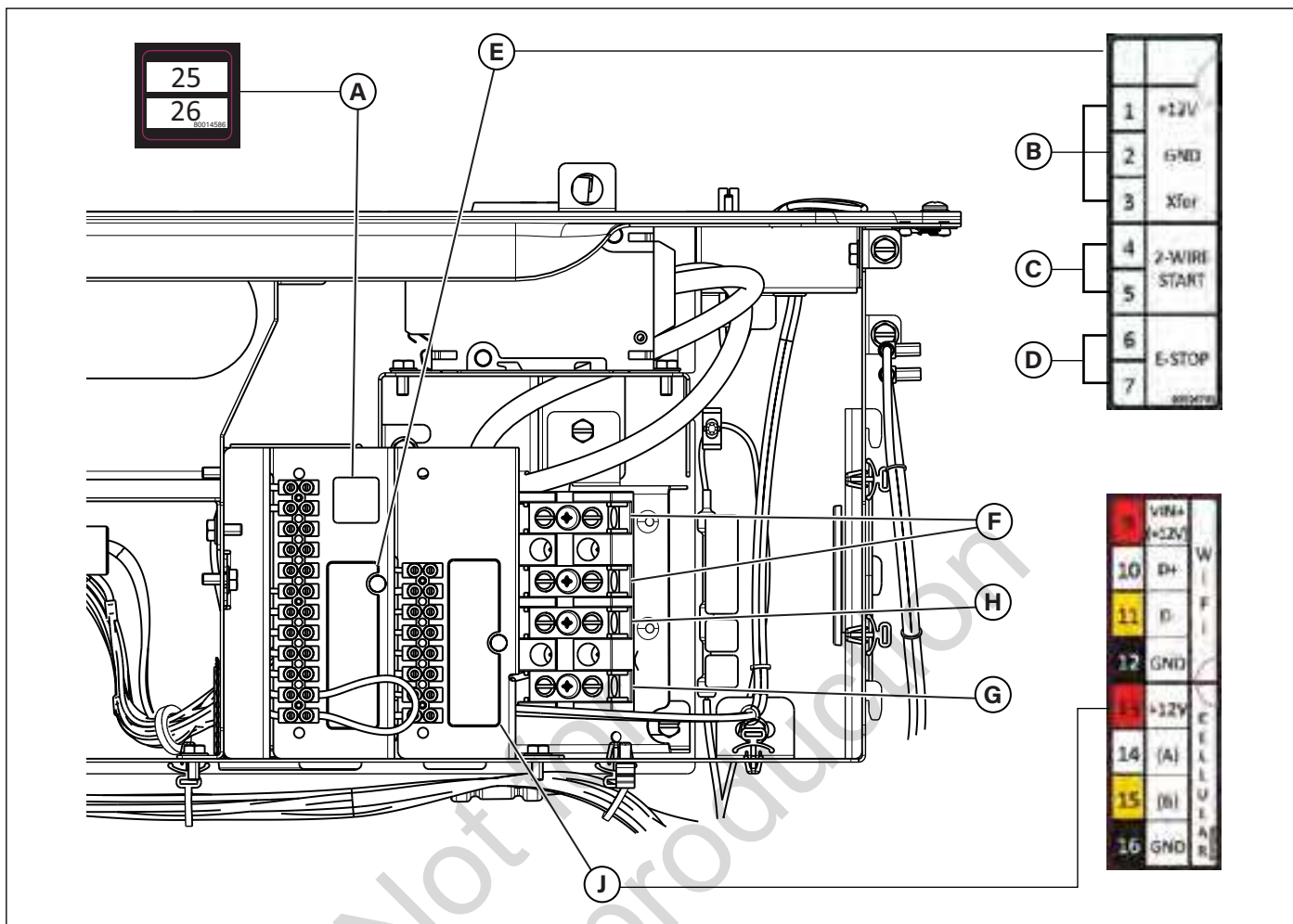


Figura 14

Leyenda para la ubicación del conector del sistema:

- (A) Conexión a la red pública — Conecta 240 VCA de la red pública del bloque de fusibles de ATS al controlador. Conecte solo un cable por terminal. Use un cable #14 AWG (2.50 mm<sup>2</sup>) de 300 V como mínimo
- (B) Conexión del interruptor de transferencia — Controla el contactor del interruptor de transferencia
- (C) Arranque de dos cables — Ayuda a proporcionar contacto de arranque remoto opcional
- (D) Parada de emergencia — Se usa con la parada de emergencia externa opcional
- (E) Bloque de terminales de conexiones de campo — Consulte la tabla siguiente
- (F) Conexión de energía (L1 y L2) — Ofrece conexión de energía al interruptor de transferencia
- (G) Conexión a tierra — Se conecta al cable a tierra del interruptor de transferencia
- (H) Conexión neutra — Se conecta al cable neutro del interruptor de transferencia
- (J) Bloque de terminales de comunicaciones — Consulte la tabla siguiente

NÚMERO DE CLAVIJA	DESCRIPCIÓN	TIPO DE CABLE	SE CONECTA A	NOTAS
1	+12V	Conductores de #18 AWG (1 mm <sup>2</sup> ), 600V como mínimo, cable de Cu 90° C.	Interruptor de transferencia, controlador básico J7-8 12 VCC	Señal de transferencia del interruptor de transferencia (solo funciona con el controlador básico de interruptor de transferencia)
2	GND (conexión a tierra)	Conductores de #18 AWG (1 mm <sup>2</sup> ), 600V como mínimo, cable de Cu 90° C.	Interruptor de transferencia, controlador básico J7-7 GND	
3	Xfer (interruptor de transferencia)	Conductores de #18 AWG (1 mm <sup>2</sup> ), 600V como mínimo, cable de Cu 90° C.	Interruptor de transferencia, controlador básico J7-4 T/R	
4	2-WIRE START (Arranque de dos cables)	Conductores de #18 AWG (1 mm <sup>2</sup> ), 600V como mínimo, cable de Cu 90° C.	Consulte el <i>Manual del interruptor de transferencia</i> para verificar si esta función está disponible.	Contacto cerrado para arranque del grupo electrógeno. <b>(Solo para interruptor de transferencia que proporciona esta opción).</b> Se debe deshabilitar el control de la red de suministro en el controlador.
5	2-WIRE START (Arranque de dos cables)	Conductores de #18 AWG (1 mm <sup>2</sup> ), 600V como mínimo, cable de Cu 90° C.		
6	E-STOP (Parada de emergencia)	Conductores de #18 AWG (1 mm <sup>2</sup> ), 600V como mínimo, cable de Cu 90° C.	Interruptor de parada de emergencia	Contacto abierto para apagar el grupo electrógeno
7	E-STOP (Parada de emergencia)	Conductores de #18 AWG (1 mm <sup>2</sup> ), 600V como mínimo, cable de Cu 90° C.	Interruptor de parada de emergencia	
9	VIN+ (+12V)	Conductores de #18 AWG (1 mm <sup>2</sup> ), 600V como mínimo, cable de Cu 90° C.	Consulte el <i>Manual de la puerta de enlace de amplificación</i> .	Módulo de comunicación a WIFI Par trenzado #1: +12 V y GND Par trenzado #2: (A) y (B)
10	(D+)	Conductores de #18 AWG (1 mm <sup>2</sup> ), 600V como mínimo, cable de Cu 90° C.		
11	(D-)	Conductores de #18 AWG (1 mm <sup>2</sup> ), 600V como mínimo, cable de Cu 90° C.		
12	GND (conexión a tierra)	Conductores de #18 AWG (1 mm <sup>2</sup> ), 600V como mínimo, cable de Cu 90° C.		
13	+12V	Conductores de #18 AWG (1 mm <sup>2</sup> ), 600V como mínimo, cable de Cu 90° C.	Consulte el <i>Manual Premium de InfoHub™</i> .	Comunicación a módulo celular Par trenzado #1: +12 V y GND Par trenzado #2: (A) y (B)
14	(A)	Conductores de #18 AWG (1 mm <sup>2</sup> ), 600V como mínimo, cable de Cu 90° C.		
15	(B)	Conductores de #18 AWG (1 mm <sup>2</sup> ), 600V como mínimo, cable de Cu 90° C.		
16	GND (conexión a tierra)	Conductores de #18 AWG (1 mm <sup>2</sup> ), 600V como mínimo, cable de Cu 90° C.		
25	Red pública	#14 AWG [2.5 mm <sup>2</sup> ] 600V como mínimo, Cable de Cu 90° C.	Interruptor de transferencia, Red pública	Detección de voltaje para el Arranque del grupo electrógeno. Use esta señal o bien la señal de Arranque de dos cables para la señal de Arranque del GRUPO ELECTRÓGENO (aún se requiere para la configuración de dos cables del cargador de batería).
26	Red pública	#14 AWG [2.5 mm <sup>2</sup> ] 600V como mínimo, Cable de Cu 90° C.	Interruptor de transferencia, Red pública	

- Para la conexión de salida de energía (L1, L2, Neutro (N) y Tierra), **consulte el Código eléctrico nacional (National Electric Code, NEC) y los códigos locales.**
- Para los cables de comunicación utilice cables de 300 V y conductores trenzados #18 AWG (1 mm<sup>2</sup>) que no tengan más de 500 pies (150 m) de longitud.
- Cuando lo conecte al bloque de terminales, sujete solo un cable a cada tornillo del conector.
- Ajuste los tornillos del bloque de terminales hasta 4.4 pulg.-libra (0.5 N·m).
- Ajuste las conexiones del disyuntor hasta 45 pulg.-libra (5 N·m).



## Conexión del sistema de CA del grupo electrógeno

El grupo electrógeno usa un sistema de conexión de CA monofásico de tres cables. El conjunto del estator está compuesto por un par de bobinas estacionarias con dos cables que salen de cada bobina. La unión de los cables 22 y 23 forma un cable neutro, como se muestra esquemáticamente y como diagrama de cableado.

### AVISO

El neutro no se une a la tierra en el grupo electrógeno.

### AVISO

Utilice el grupo electrógeno únicamente con el interruptor de transferencia indicado que sea compatible con el grupo electrógeno.

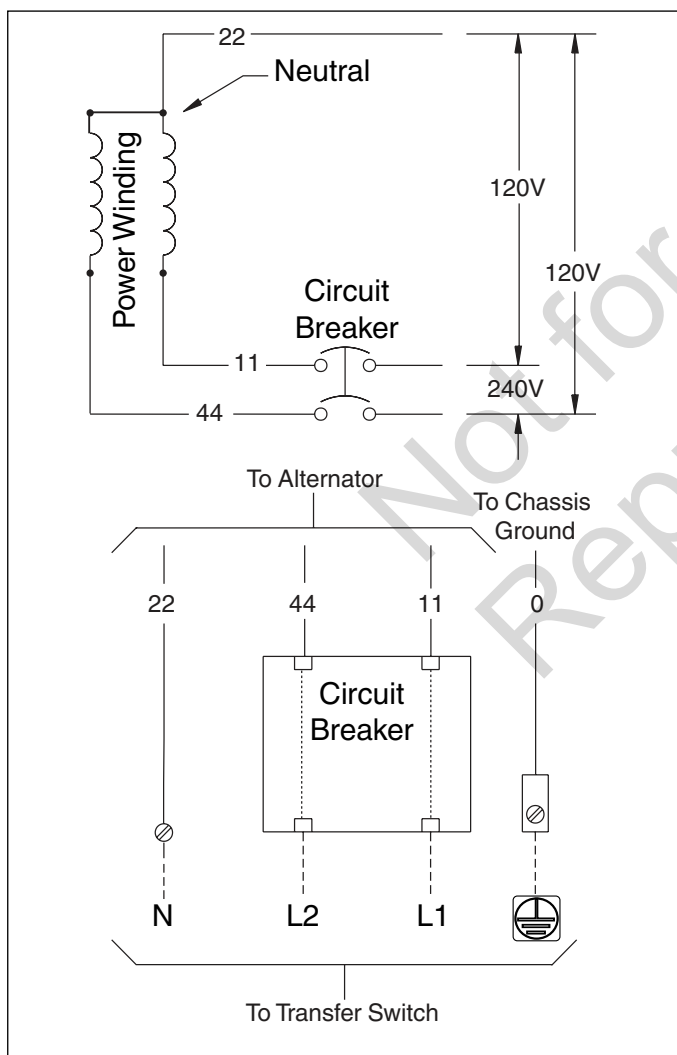


Figura 15

## Conexión a tierra del grupo electrógeno

A menos que lo exija el código local, no se requiere una conexión a tierra adicional del chasis en el generador. Para cualquier conexión a tierra en el generador se deberán usar arandelas de seguridad con perforación metálica (o equivalente). Además, se deben instalar los terminales indicados de conformidad con las instrucciones del proveedor de los terminales. Todas las instalaciones de puesta a tierra y de terminales deberán cumplir con los códigos eléctricos nacionales y los requisitos locales.

## Conexiones de energía del grupo electrógeno al interruptor de transferencia

### ADVERTENCIA



Si no se aísla el grupo electrógeno de la red pública, los trabajadores del servicio de red pública eléctrica podrían lesionarse gravemente o morir a causa de la retroalimentación de la energía eléctrica.

- Utilice el interruptor de transferencia indicado para la conexión al sistema eléctrico del edificio.

## Conexión de los circuitos de la red pública

Pase todos los cables de la red pública de 240 V por un conducto. Los cables de la red pública de 240V suministran energía al tablero de circuitos del grupo electrógeno, y a los calentadores opcionales de batería, cárter de aceite y regulador de combustible. Esta energía también carga la batería. El grupo electrógeno arranca cuando se pierde la energía en estos cables. Con el cable suministrado por el instalador de como mínimo 300 V #14 AWG (2.50 mm<sup>2</sup>), conecte cada terminal del circuito de control del grupo electrógeno (25 y 26) al bloque de fusibles en el interruptor de transferencia automática.

## Conexión de energía del grupo electrógeno

Con los cables suministrados por el instalador de como mínimo 300 V y la tabla que está ubicada en la sección "Conexiones del campo eléctrico", conecte la salida de potencia del grupo electrógeno L1, L2, neutro (N), y tierra según corresponda a L1, L2, neutro (N) y tierra en el interruptor de transferencia.

### AVISO

Consulte el Código eléctrico nacional (NEC) para conocer las conexiones del campo eléctrico correctas y los cálculos del tamaño de los cables.





## Consideraciones finales para la instalación

### Aceite de motor

#### AVISO

Cualquier intento de arrancar el motor antes de haberlo cargado correctamente con el aceite recomendado provocará fallas en el equipo y códigos de servicio.

- Consulte "Mantenimiento" en la sección "Funcionamiento" para obtener información sobre el llenado de aceite.
- Los daños al equipo que ocurran por no obedecer estas instrucciones anularán la garantía del motor y del grupo electrógeno.

Este motor se envía de fábrica con una prueba preliminar y cargado con aceite completamente sintético (API SJ/CF 5W-30). Este paso permite el funcionamiento del motor con una amplia variedad de temperaturas y condiciones climáticas. Antes de poner el motor en marcha, controle el nivel de aceite como se describe en la sección "Mantenimiento".

El uso de aceite completamente sintético no modifica los intervalos de cambio de aceite requeridos, que se describen en la sección "Funcionamiento".

### Batería

#### ADVERTENCIA



**Durante su recarga, las baterías almacenadas producen gas hidrógeno explosivo. Con solo una pequeña chispa el hidrógeno puede encenderse y ocasionar una explosión, que produzca lesiones graves o la muerte.**

- **NO deseche la batería arrojándola al fuego. Recicle la batería.**
- **NO permita la presencia de ninguna llama abierta, chispas, calor, ni cigarrillos encendidos en las proximidades de la batería durante el proceso de carga y durante varios minutos después de cargarla.**

#### ADVERTENCIA



**La tensión del grupo electrógeno podría provocar electrocución o quemaduras que causen lesiones graves o la muerte.**

- **La instalación debe realizarla un profesional certificado.**
- **Desconecte todas las fuentes de electricidad antes de realizar trabajos de instalación o mantenimiento en el equipo.**
- **Conecte a tierra el sistema antes de aplicarle energía eléctrica.**

#### ADVERTENCIA



**El fluido electrolítico de la batería contiene ácido y es sumamente cáustico. El contacto con el contenido de la batería podría ocasionar quemaduras químicas de gravedad.**

- **NO abra ni manipule indebidamente la batería.**
- **Utilice gafas de protección y delantal, botas y guantes de goma.**
- **Lávese de inmediato la piel con agua para eliminar el electrolito.**
- **Si el electrolito entra en contacto con los ojos, enjuague de inmediato con agua y consulte a un médico.**
- **Lave el electrolito derramado con un agente neutralizador de ácidos.**

El instalador deberá suministrar e instalar una batería de arranque recargable de 12 V. La batería de arranque DEBE cumplir con las especificaciones que figuran en el siguiente cuadro.

ESPECIFICACIONES PARA LAS BATERÍAS		
Especificaciones	Estándar	Arranque en climas fríos (Menos de 30° F / -1° C)
Voltios	12 VCC	12 VCC
Amperios (Mínimo)	540 CCA (Amperios de arranque en frío)	800 CCA (Amperios de arranque en frío)
Construcción	Ácido de plomo húmedo	Ácido de plomo húmedo
Tipo de terminal	Batería tipo Top Post	Batería tipo Top Post
Dimensiones (máximo)	Tamaño de ICB 26 o Tamaño de ICB 51	Tamaño de ICB 24

#### ADVERTENCIA



**Con la batería conectada, el grupo electrógeno puede arrancar sin previo aviso y causar así lesiones graves o la muerte.**

- **No conecte el cable negativo (-) en la batería hasta que se haya completado la instalación.**

Instale la batería como se describe en "Mantenimiento de la batería" de la sección "Mantenimiento" de este manual. Conecte siempre el cable **negativo** en último lugar y asegure el aislador de color rojo del terminal **positivo**.

Use la correa de sujeción suministrada para sujetar la batería a la unidad. Fije cada extremo de la correa a las lengüetas existentes en la base de la unidad.

## Controlador del sistema

### AVISO

Consulte el manual en línea por separado titulado "Instrucciones de funcionamiento del controlador del grupo electrógeno SERIE GC1030 GENSET" (número de pieza 80086364) para obtener información sobre la configuración y el funcionamiento.

El controlador del grupo electrógeno, que está ubicado dentro de la carcasa del grupo electrógeno, aparece en la siguiente figura.

## Controles utilizados durante la instalación

### Controlador del grupo electrógeno

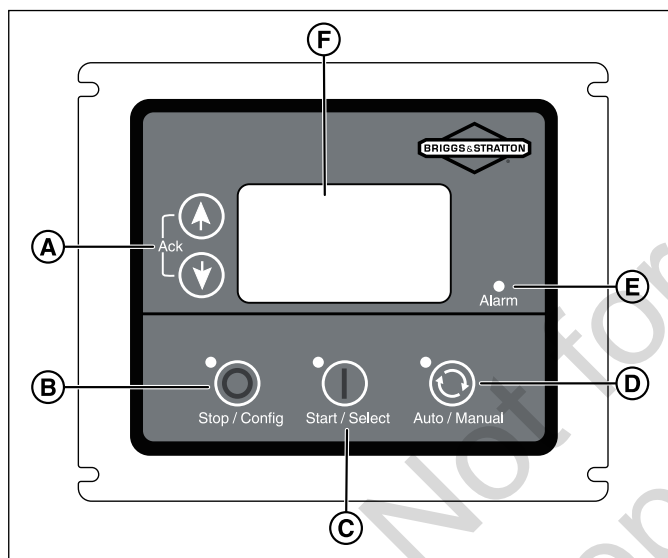


Figura 16

- (A) Menú/programación de botones de navegación
- (B) Botón stop/config (parar/configurar)
- (C) Botón start/select (arrancar/seleccionar)
- (D) Botón auto/manual (automático/manual)
- (E) Alarma
- (F) Pantalla digital - Presenta el modo del grupo electrógeno, las opciones de menú y las alarmas

Aparecen descripciones detalladas de los controles en la sección "Descripción de las teclas de control" del manual en línea titulado *Instrucciones de funcionamiento del controlador del grupo electrógeno SERIE GC1030 GENSET* (número de pieza 80086364).

## Arranque inicial (sin carga)

### ⚠ ADVERTENCIA



El calor/los gases de escape podrían encender elementos combustibles y ocasionar un incendio que provoque lesiones graves o la muerte.

- Quite todos los materiales combustibles de las proximidades y del interior del compartimiento del grupo electrógeno.

La unidad se configuró en la fábrica para funcionar con gas natural. Para completar la conversión del combustible, hágalo antes de seguir estos pasos. Consulte la sección "Conversión de combustible".

Antes de utilizar o poner en servicio el grupo electrógeno de reserva, inspeccione atentamente toda la instalación. Luego empiece a probar el sistema sin cargas eléctricas conectadas, de la siguiente manera:

### AVISO

Cuando el generador se enciende por primera vez, purga el aire de las líneas de combustible gaseoso. Este proceso puede hacer que el motor funcione bruscamente durante unos minutos.

1. Extraiga los dos tornillos (A) que retienen la cubierta de cableado de la caja de control. Quite la cubierta.
2. Conecte un multímetro preciso al lado de la línea del disyuntor principal del grupo electrógeno.
3. Ponga el disyuntor principal del grupo electrógeno en la posición ON (encendido) (cerrado).
4. Instale un fusible de 15 amperios en el portafusibles debajo del controlador.
5. Oprima el botón start/select (arrancar/seleccionar) en el controlador. El motor arranca en modo de ralentí bajo (Low Idle Mode, LIM).
6. Oprima el botón nuevamente para llevar el motor a la máxima velocidad.
7. Escuche para detectar ruidos inusuales, vibraciones u otros indicadores de funcionamiento anormal. Controle si hay pérdidas de aceite mientras el motor está en funcionamiento.
8. Deje que el motor se caliente durante aproximadamente cinco minutos para permitir que se estabilicen las temperaturas internas.
9. Verifique la salida del grupo electrógeno en el lado de la carga del disyuntor. El voltaje debe ser de entre 225 y 250 voltios y la frecuencia debe ser de entre 59.0 y 61.0 Hz.
10. Verifique la salida del grupo electrógeno entre un terminal de conexión del grupo electrógeno y un terminal neutro, luego entre el otro terminal de conexión del grupo electrógeno y un terminal neutro. En ambos casos, la lectura del voltaje debe ser de entre 112 y 125 voltios.



11. Oprima el botón stop/config (parar/configurar) en el controlador. El motor entra en modo de enfriamiento durante aproximadamente cinco minutos. Oprima nuevamente el botón para detener el motor
12. Coloque la cubierta de la caja de control.



Figura 17

# FUNCIONAMIENTO

## Controles

**ADVERTENCIA**  Si no se lee y se respeta lo establecido por el manual del operador, todas las advertencias y las instrucciones de funcionamiento, se podrían provocar lesiones graves o la muerte.

### Vista Frontal

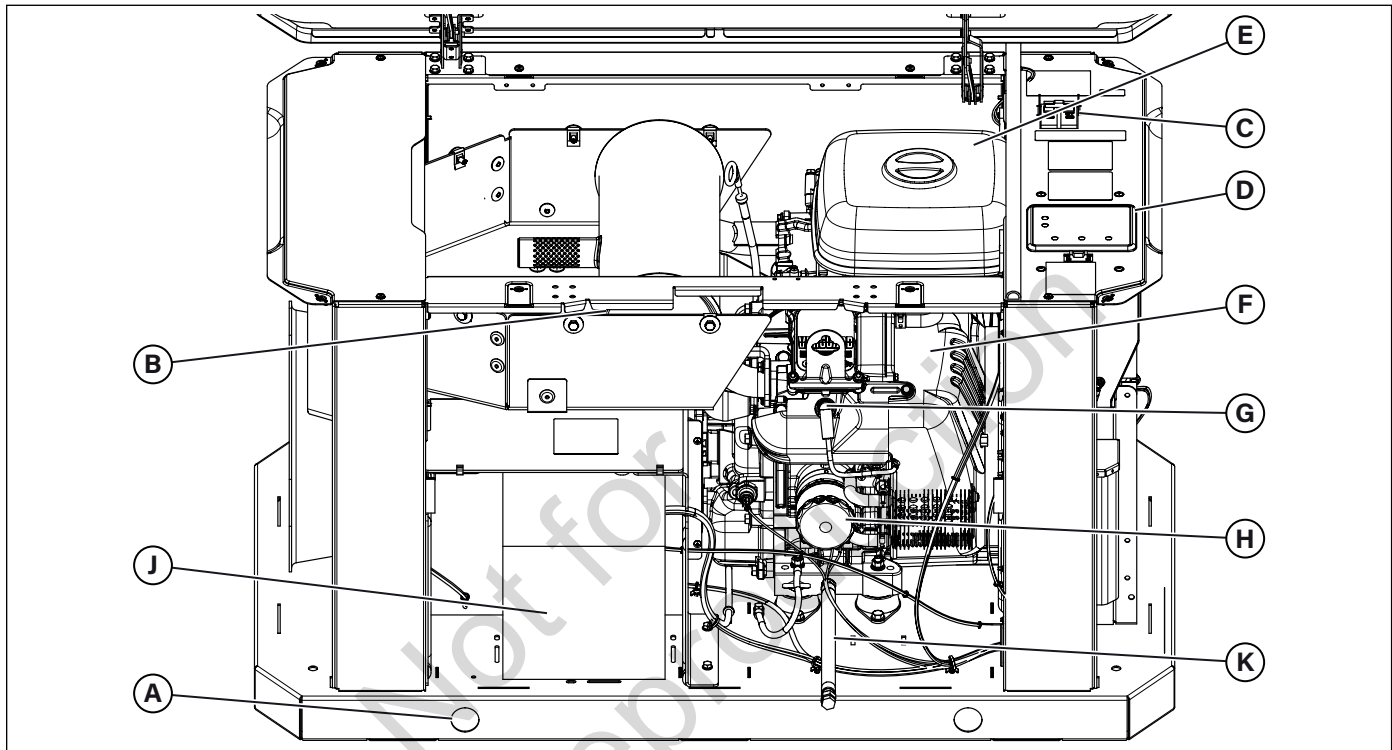


Figura 18

El grupo electrógeno se muestra con el techo y las cubiertas de acceso retirados para mayor claridad. Leyenda para las ubicaciones de los conectores del sistema:

- |   |  |
|---|--|
| <ul style="list-style-type: none"> <li>(A) Orificios de elevación — Se suministran en cada vértice para levantar el grupo electrógeno</li> <li>(B) Silenciador — Silenciador de alto rendimiento reduce el ruido del motor para cumplir con la mayor parte de los códigos residenciales</li> <li>(C) Disyuntor — Protege el sistema de cortocircuitos y otras condiciones de sobrecorriente</li> <li>(D) Controlador — Facilita el control del funcionamiento del grupo electrógeno, el inicio de los menús y las funciones de las pantallas informativas</li> <li>(E) Filtro de aire — Utiliza un elemento de filtro de tipo seco para proteger el motor filtrando el polvo y los residuos del aire de admisión</li> </ul> | <ul style="list-style-type: none"> <li>(F) Etiqueta del motor — Identifica el modelo y el tipo de motor (ubicada en la tapa de las válvulas)</li> <li>(G) Bujía — Dispositivo que está en la cabeza del cilindro del motor que enciende la mezcla de combustible mediante una chispa eléctrica</li> <li>(H) Filtro de aceite — Filtra el aceite del motor para una vida útil más prolongada del grupo electrógeno</li> <li>(J) Batería (suministrada por el instalador) — Una batería de estilo automotriz, de ácido plomo y 12 VCC alimenta la energía para arrancar el motor.</li> <li>(K) Manguera de drenaje de aceite — Facilita el cambio de aceite</li> </ul> |
|---|--|



## Vista Posterior

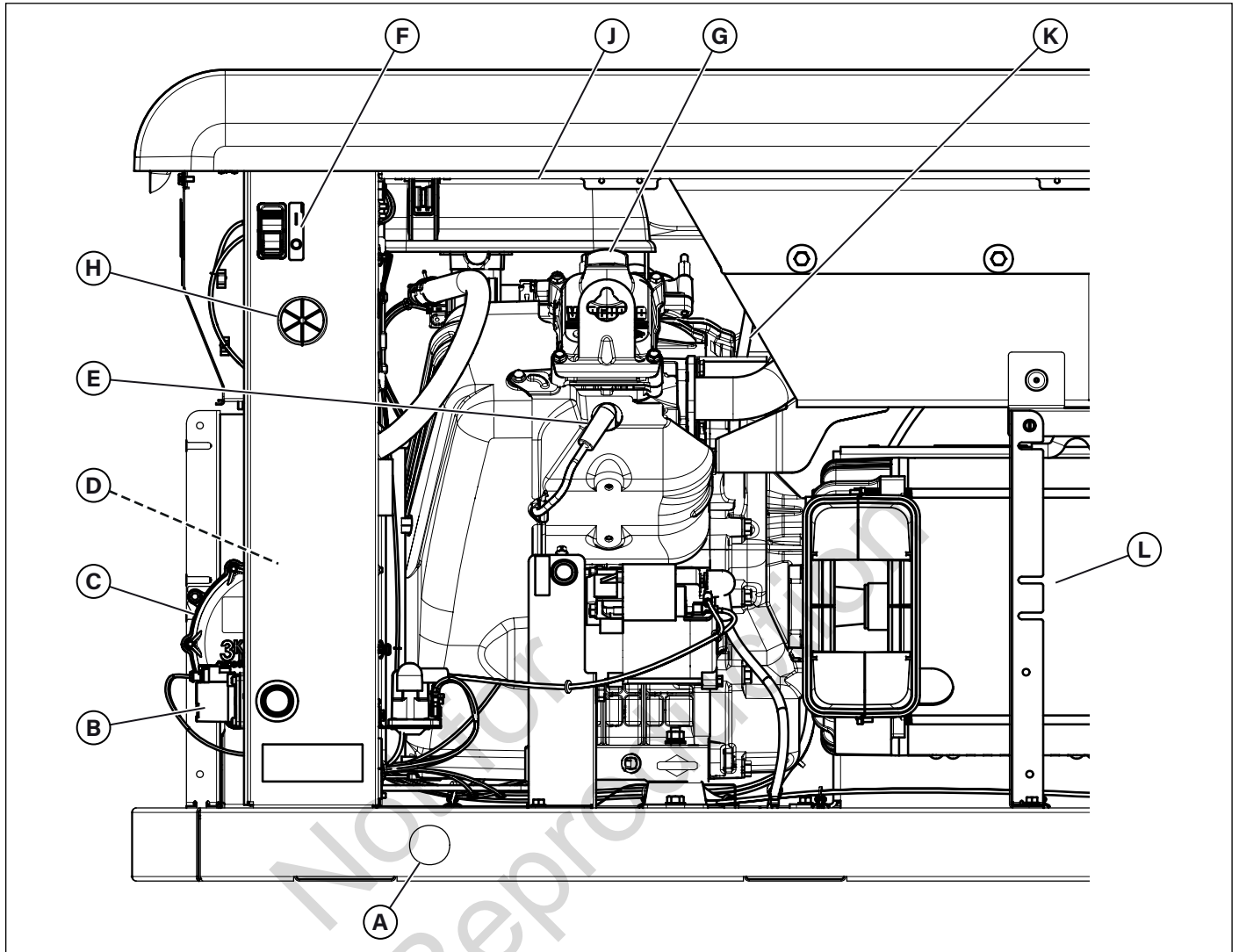


Figura 19

- (A) Orificios de elevación — Se suministran en cada vértice para levantar el grupo electrógeno
- (B) Solenoide de combustible — Se abre y cierra automáticamente para suministrar combustible a la unidad cuando se necesita
- (C) Regulador de combustible — Controla el flujo de combustible al motor para verificar que funcione bien
- (D) Válvula selectora de combustible (no se muestra) — Sirve para seleccionar el tipo de combustible correcto (PL o GN)
- (E) Bujía — Dispositivo que está en la cabeza del cilindro del motor que enciende la mezcla de combustible mediante una chispa eléctrica
- (F) Interruptor ON/OFF (encendido/apagado) — Sirve para encender (I) y apagar (O) el grupo electrógeno.
- (G) Tapón de llenado de aceite — Es el lugar por donde se agrega aceite al motor
- (H) Entrada de cableado del campo eléctrico — Cables desde y hacia el grupo electrógeno se concentran en esta ubicación
- (J) Filtro de aire — Utiliza un elemento de filtro de tipo seco para proteger el motor filtrando el polvo y los residuos del aire de admisión
- (K) Varilla de medición del nivel de aceite — Le permite al usuario controlar fácilmente el nivel de aceite del motor
- (L) Alternador — Es una máquina eléctrica que genera una corriente alterna

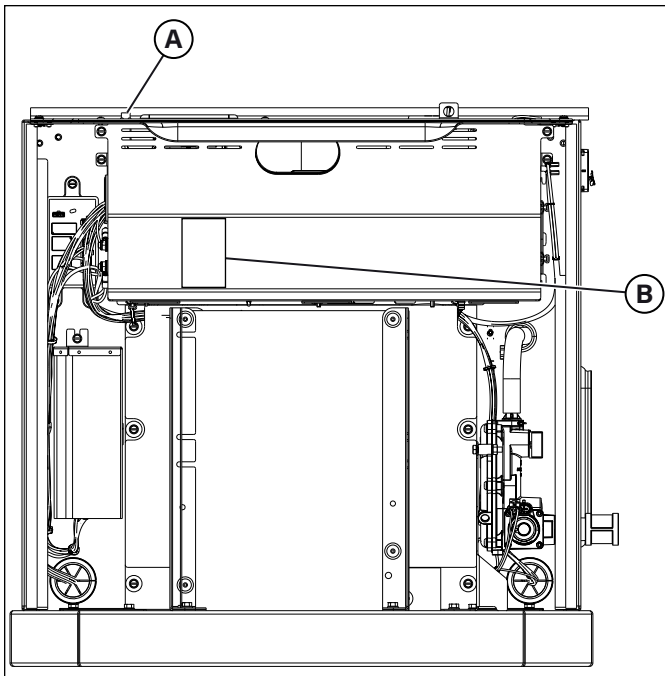


Figura 20

- (A) Portafusibles — Para el fusible de tipo ATO de 15 amperios (el portafusibles está ubicado debajo del controlador)
- (B) Etiqueta de datos del grupo electrógeno — Identifica el número de modelo y el número de serie del grupo electrógeno. Está dentro del compartimiento de acceso de la batería

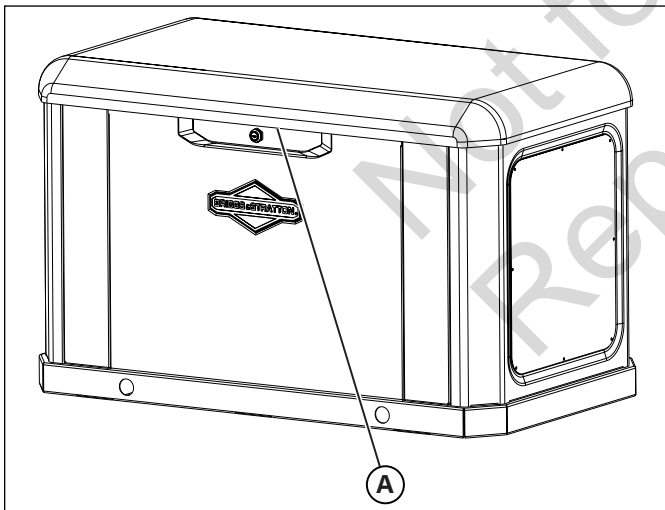


Figura 21

- (A) LED de estado — Tres modos:
- Luz azul continua: indica que la unidad está lista para funcionar (controlador en modo AUTO [automático])
  - Luz azul parpadeante: indica que hay una falla en la unidad (lea el mensaje de falla en el controlador)
  - Sin luz: indica que el controlador de la unidad está en modo MANUAL o que la batería está descargada o que el interruptor ON/OFF (encendido/apagado) está en la posición OFF (apagado)

## Consideraciones importantes para el propietario

**⚠ ADVERTENCIA** El escape del motor contiene monóxido de carbono, un gas venenoso que podría provocar la muerte de personas y animales en minutos. Las personas y los animales no pueden percibirlo con el gusto, la vista o el olfato. Incluso si no siente el olor a gases de escape, podría estar expuesto al gas del monóxido de carbono.

- En interiores, se **DEBEN** instalar y mantener detectores de monóxido de carbono, de conformidad con las instrucciones y las recomendaciones del fabricante. Las alarmas de incendios no pueden detectar el gas de monóxido de carbono.
- Si empieza a sentirse descompuesto, mareado o débil, o si suena la alarma de detección de monóxido de carbono mientras se usa este producto, diríjase de inmediato a un lugar con aire fresco. Llame a los servicios de emergencia. Podría haberse intoxicado con monóxido de carbono.

**⚠ ADVERTENCIA** El propano y el gas natural son sumamente inflamables y explosivos, con lo cual pueden causar quemaduras, incendios o explosiones que provoquen lesiones graves o la muerte.

- El grupo electrógeno cuenta con una válvula automática de seguridad de cierre de gas combustible.
- **NO** utilice el equipo si falta la válvula de cierre de combustible o si no funciona bien.

## Aceite de motor

El motor se envía de fábrica con una prueba preliminar y cargado con aceite completamente sintético (API SJ/CF 5W-30). Este paso permite el funcionamiento del motor con una amplia variedad de temperaturas y condiciones climáticas. Antes de poner el motor en marcha, controle el nivel de aceite como se describe en la sección "Mantenimiento".

**AVISO** *Cualquier intento de arrancar el motor antes de haberlo cargado correctamente con el aceite recomendado provocará fallas en el equipo.*

- Los daños al equipo que ocurran por no obedecer estas instrucciones anularán la garantía del motor y del grupo electrógeno.

## Batería

El instalador deberá suministrar una batería de arranque recargable de 12 V. Consulte "Batería" en la sección "Consideraciones finales".



## Fusible de 15 amperios

Asegúrese de que se haya instalado correctamente el fusible antes de operar el grupo electrógeno.

## Secuencia de funcionamiento automático

El controlador del generador supervisa el voltaje de la red pública. Si el voltaje de la red pública se reduce a un nivel inferior al predeterminado, el controlador le indica al motor que gire y arranque. Cuando se restablece el voltaje de la red pública en un nivel superior al predeterminado, el motor recibe indicaciones de apagarse. El funcionamiento real del sistema no se puede ajustar y está sujeto a secuenciado por sensores y temporizadores del controlador, de la siguiente manera:

## Sensor de reducción de voltaje de la red pública

- Este sensor controla el voltaje de alimentación de la red pública.
- Si el voltaje de alimentación de la red pública se reduce a un nivel inferior aproximadamente al 70% del voltaje de suministro nominal, el sensor inicia un temporizador. Luego, el temporizador "siente" las caídas de tensión.
- El motor gira y arranca una vez que el temporizador expira.

## Sensor de excitación de tensión de la red pública

El sensor controla la tensión de la red pública. Cuando se restablece la tensión de la red pública en un nivel superior aproximadamente al 80% de la tensión de la fuente nominal, se inicia un temporizador de apagado y el motor se enfría.

## Temporizador de enfriamiento del motor

Cuando el sistema detecta la energía de la red pública, la carga se transfiere a la fuente de la red pública y el motor entra en un período de enfriado de cinco minutos.

## Configuración del temporizador de actividad

1. Oprima y mantenga presionado el botón stop/config (parar/configurar) (B).
2. Oprima el botón start/select (arrancar/seleccionar) (C) para entrar en el modo "write" (escribir).
3. Introduzca la contraseña (0000) usando las teclas de flecha (A) y el botón start/select (arrancar/seleccionar) (C).
4. En la pantalla de configuración use las teclas de flechas (A) para encontrar **module** (módulo).
5. Oprima el botón start/select (arrancar/seleccionar) (C) y, con las teclas de flecha (A), encuentre **auto exercise** (actividad automática).

6. Oprima el botón start/select (arrancar/seleccionar) (C) y, con las teclas de flecha (A), seleccione cada parámetro y elija las configuraciones que desee.
7. Oprima y mantenga presionado el botón stop/config (parar/configurar) (B) para guardar sus configuraciones.

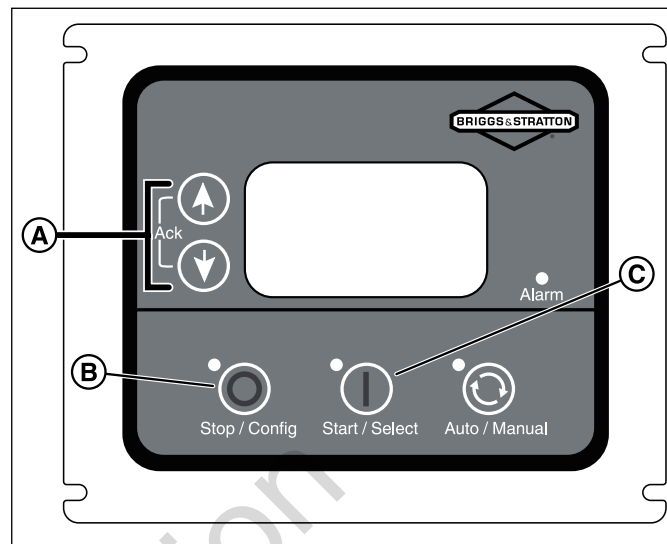


Figura 22

Aparece una lista detallada de todos los parámetros en pantalla en la sección "Configuración de GCU" dentro del *Manual en línea de instrucciones de funcionamiento del controlador del grupo electrógeno SERIE GC1030 GENSET* (número de pieza 80086364).

# MANTENIMIENTO

## Mantenimiento del sistema

**ADVERTENCIA** **La tensión del grupo electrógeno podría provocar electrocución o quemaduras que causen lesiones graves o la muerte.**

- **NO permita que personas no calificadas operen o realicen el mantenimiento del grupo electrógeno.**

**ADVERTENCIA** **Con la batería conectada, el grupo electrógeno puede arrancar sin previo aviso y causar así lesiones graves o la muerte.**

- **Antes de realizar el mantenimiento, pare el grupo electrógeno y desconecte el cable negativo (-) en la batería.**

Siga siempre estos pasos antes de realizar cualquier tarea de mantenimiento en el grupo electrógeno:

1. Oprima el interruptor ON/OFF (encendido/apagado) que está en la parte posterior del grupo electrógeno hasta la posición OFF (apagado) (0).

2. Sáquele la alimentación de la red pública al grupo electrógeno para desactivar el cargador de la batería.
3. Destrabe y abra el techo como se describe en la sección "Paneles de acceso".
4. Extraiga el fusible de 15 amperios del portafusibles que está debajo del controlador.
5. Desconecte el cable negativo (-) de la batería.
6. Lleve a cabo los pasos para el mantenimiento según lo especificado.
7. Conecte el cable negativo (-) de la batería.
8. Instale el fusible de 15 amperios en el portafusibles.
9. Cierre y trabe el techo.
10. Restablezca la alimentación de la red al grupo electrógeno.
11. Oprima el interruptor ON/OFF (encendido/apagado) que está en la parte posterior del grupo electrógeno hasta la posición ON (encendido) (I).
12. Configure el modo del grupo electrógeno en **auto** (automático).

## Programa de mantenimiento

Siga los intervalos de funcionamiento por hora o calendario, lo que ocurra primero.

<b>Cada 8 horas de funcionamiento o diariamente</b>
Limpie los residuos
Controle el nivel de aceite del motor
<b>Cada 100 horas de funcionamiento o anualmente</b>
Cambie el filtro de aire
Cambie el aceite del motor y el filtro
Reemplace las bujías
Controle las holguras de las válvulas
Controle los pares de ajustes de los disyuntores
<b>Anualmente</b>
Limpie las aletas del enfriador de aceite

El mantenimiento regular mejora el rendimiento y prolonga la vida útil del grupo electrógeno. Consulte a cualquier distribuidor autorizado por el mantenimiento.

## Control de emisiones

Cualquier persona, de un establecimiento de reparación de motores para uso fuera de carretera o no, puede realizar el mantenimiento, el reemplazo o la reparación de los dispositivos y los sistemas de control de emisiones. Sin embargo, para obtener un servicio de control de emisiones "sin cargo" solo un distribuidor autorizado por la fábrica debe hacer el trabajo requerido. Consulte la Garantía de emisiones para obtener más información.

## Mantenimiento del grupo electrógeno

La garantía del grupo electrógeno no cubre artículos que estuvieron sujetos a uso indebido o negligencia por parte del operador. Para obtener el valor total de la garantía, el operador debe mantener el grupo electrógeno según se indica en el presente manual.

El grupo electrógeno requiere que el propietario realice algunos ajustes periódicamente para mantenerlo correctamente.

Realice todo el mantenimiento y los ajustes al menos una vez cada temporada. Cumpla los requisitos de la sección "Programa de mantenimiento".

El mantenimiento del grupo electrógeno también implica mantener limpia la unidad. Opere la unidad en un entorno en el que no haya un exceso de polvo, suciedad, humedad o de cualquier tipo de vapores corrosivos. Debe evitar que se obstruyan con nieve, hojas u otros materiales extraños las entradas y salidas de aire de enfriamiento del recinto. Para evitar que se dañe el grupo electrógeno a causa de sobrecalentamiento, mantenga las entradas y salidas de enfriamiento del recinto limpias y libres de obstrucciones en todo momento.

Controle con frecuencia la limpieza de la unidad y límpiela cuando aparezcan polvo, suciedad, aceite, humedad u otras sustancias extrañas en su superficie exterior e interior. Inspeccione las aberturas de entrada y salida de aire dentro y fuera del recinto para asegurarse de que no haya obstrucciones en el flujo de aire.

### AVISO

*Si trata el grupo electrógeno de manera inapropiada, se puede dañar y su vida útil puede acortarse.*

- NO exponga el grupo electrógeno a niveles excesivos de humedad, polvo, suciedad o vapores corrosivos.
- No inserte ningún objeto a través de las ranuras de enfriamiento.

## Limpieza del grupo electrógeno



### ADVERTENCIA



**El calor/los gases de escape podrían encender elementos combustibles y ocasionar un incendio que provoque lesiones graves o la muerte.**

- Mantenga la zona cercana al grupo electrógeno limpia y libre de residuos.

### AVISO

*NO use la aspersion directa de una manguera de jardín para limpiar el grupo electrógeno. Puede ingresar agua al motor y al grupo electrógeno y dañarlos.*

### AVISO

*Inspeccione periódicamente el exterior del motor para detectar contaminación y posibles daños por suciedad, hojas, roedores, telarañas, insectos, etc., y retire dichos elementos.*





1. Oprima el interruptor ON/OFF (encendido/apagado) que está en la parte posterior del grupo electrógeno hasta la posición OFF (apagado) (0).
2. Sáquele la alimentación de la red pública al grupo electrógeno para desactivar el cargador de la batería.
3. Destrabe y abra el techo como se describe en la sección "Paneles de acceso".
4. Extraiga el fusible de 15 amperios del portafusibles que está debajo del controlador.
5. Desconecte el cable negativo (-) de la batería.
6. Limpie el grupo electrógeno siguiendo estos pasos:
  - Limpie las superficies exteriores con un paño húmedo.
  - Utilice un cepillo de cerdas suaves y una aspiradora para aflojar y recoger la suciedad y los residuos. Utilice aire a baja presión (no más de 25 psi o 175 mbar) para soplar y eliminar la suciedad y los residuos.
  - Limpie de nieve, hojas o residuos las entradas y salidas de aire. Mantenga estas aberturas libres de obstrucciones para evitar que se dañe el grupo electrógeno por sobrecalentamiento.
7. Conecte el cable negativo (-) de la batería.
8. Instale el fusible de 15 amperios en el portafusibles.
9. Cierre y trabe el techo.
10. Restablezca la alimentación de la red al grupo electrógeno.
11. Oprima el interruptor ON/OFF (encendido/apagado) que está en la parte posterior del grupo electrógeno hasta la posición ON (encendido) (1).
12. Configure el modo del grupo electrógeno en **auto** (automático).

4. Extraiga el fusible de 15 amperios del portafusibles que está debajo del controlador.
5. Desconecte el cable negativo (-) de la batería.
6. Espere aproximadamente cinco minutos para que el aceite se drene de regreso al colector de aceite.
7. Extraiga la varilla de medición de nivel. Límpiela con un paño limpio o una toalla de papel. Luego, empuje la varilla de medición de nivel para que entre completamente en su tubo.
8. Extraiga la varilla de medición de nivel y observe la cantidad de aceite que hay en ella. El aceite debe estar en un punto entre las marcas **"add"** (agregar) y **"full"** (lleno) de la varilla de medición de nivel.
9. Si el nivel de aceite está por debajo de la marca **"add"** (agregar) de la varilla de medición de nivel, instale dicha varilla y prosiga con el paso 10.

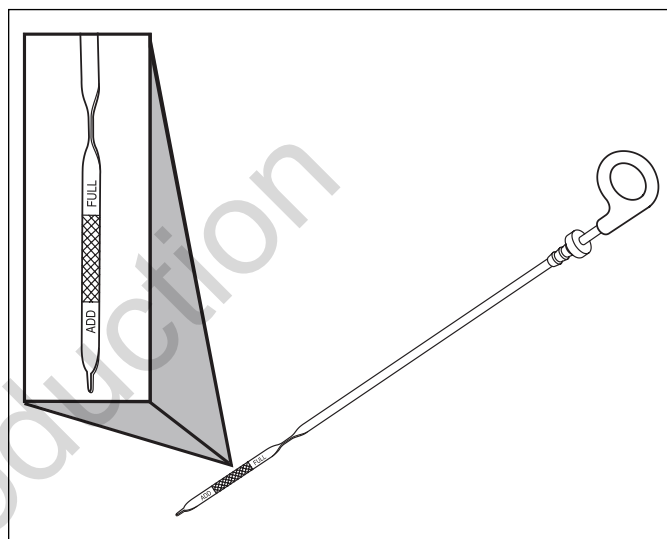


Figura 23

## Mantenimiento del motor

### Aceite de motor

Use únicamente aceite para motor completamente sintético Briggs & Stratton® 80028446 SAE 5W-30. Se pueden aceptar otros aceites detergentes completamente sintéticos de alta calidad si están clasificados para servicio SJ o superior. No utilice aditivos especiales.

### Control del nivel de aceite del motor

Mantenga el nivel de aceite en un punto entre las marcas **"add"** (agregar) y **"full"** (lleno) de la varilla de medición de nivel. Antes de controlar el nivel de aceite, siga estos pasos para garantizar que aparezca una lectura exacta en la varilla de medición de nivel:

1. Oprima el interruptor ON/OFF (encendido/apagado) que está en la parte posterior del grupo electrógeno hasta la posición OFF (apagado) (0).
2. Sáquele la alimentación de la red pública al grupo electrógeno para desactivar el cargador de la batería.
3. Destrabe y abra el techo como se describe en la sección "Paneles de acceso".
4. Extraiga el tapón de llenado de aceite de la tapa de la válvula.
5. Agregue la cantidad necesaria de aceite para llevar el nivel hasta la marca **"full"** (lleno) de la varilla de medición de nivel, sin superarla. Coloque el tapón de llenado de aceite en la tapa de la válvula y limpie el aceite derramado.
6. Conecte el cable negativo (-) de la batería.
7. Instale el fusible de 15 amperios en el portafusibles.
8. Cierre y trabe el techo.
9. Restablezca la alimentación de la red al grupo electrógeno.
10. Oprima el interruptor ON/OFF (encendido/apagado) que está en la parte posterior del grupo electrógeno hasta la posición ON (encendido) (1).
11. Configure el modo del grupo electrógeno en **auto** (automático).

## Cambio del aceite del motor y del filtro de aceite

Cambie el aceite mientras el motor está aún caliente por haber estado en marcha.

1. Oprima el interruptor ON/OFF (encendido/apagado) que está en la parte posterior del grupo electrógeno hasta la posición OFF (apagado) (0).
2. Sáquele la alimentación de la red pública al grupo electrógeno para desactivar el cargador de la batería.
3. Destrabe y abra el techo como se describe en la sección "Paneles de acceso".
4. Extraiga el fusible de 15 amperios del portafusibles que está debajo del controlador.
5. Desconecte el cable negativo (-) de la batería.
6. Ubique la manguera de drenaje de aceite en un recipiente aprobado.
7. Extraiga la conexión de bronce del extremo de la manguera de drenaje de aceite.
8. Una vez que se haya drenado el aceite, vuelva a colocar la conexión de bronce en la manguera.
9. Coloque un recipiente adecuado debajo del filtro de aceite.
10. Retire el filtro de aceite y deséchelo adecuadamente.
11. Antes de instalar un nuevo filtro de aceite, lubrique ligeramente la junta del filtro de aceite con aceite nuevo y limpio.
12. Coloque el filtro de aceite manualmente hasta que la junta entre en contacto con el adaptador del filtro de aceite, luego ajuste el filtro de aceite entre 1/2 y 3/4 de giro.
13. Agregue la cantidad necesaria de aceite para llevar el nivel hasta la marca "full" (lleno) de la varilla de medición de nivel, sin superarla. Coloque el tapón de llenado de aceite y limpie el aceite derramado.
14. Conecte el cable negativo (-) a la batería.
15. Instale el fusible de 15 amperios en el portafusibles.
16. Cierre y trabe el techo.
17. Restablezca la alimentación de la red al grupo electrógeno.
18. Oprima el interruptor ON/OFF (encendido/apagado) que está en la parte posterior del grupo electrógeno hasta la posición ON (encendido) (1).
19. Configure el modo del grupo electrógeno en **auto** (automático).

## Aceite de motor

El motor está lleno con aceite completamente sintético (API SJ/CF 5W-30). El aceite permite el funcionamiento del sistema en la más amplia gama de temperaturas y condiciones climáticas.

El fabricante recomienda el uso del aceite de motor completamente sintético Briggs & Stratton® 80028446 SAE 5W-30. Se pueden aceptar otros aceites detergentes completamente sintéticos de alta calidad si están clasificados para servicio SJ o superior. No utilice aditivos especiales.

*Nota:* Un aceite que se puede aceptar a todas las temperaturas incluye el aceite completamente sintético que:

- Cumple con las normas del International Lubricant Specification Advisory Committee (ILSAC) GF-2
- Cuenta con la marca de certificación API
- Cuenta con el símbolo de servicio API con "conservación de energía SJ/CF" o superior



El uso de aceite completamente sintético no modifica los intervalos de cambio de aceite requeridos que se describen en la sección "Funcionamiento".

## Ajuste de la holgura de las válvulas

Controle la holgura de las válvulas cada 100 horas de funcionamiento. Mida la holgura de las válvulas con el motor frío. Para ajustar la holgura de las válvulas, proceda de la siguiente manera:

1. Oprima el interruptor ON/OFF (encendido/apagado) que está en la parte posterior del grupo electrógeno hasta la posición OFF (apagado) (0).
2. Quite la energía de la red pública al grupo electrógeno para desactivar el cargador de la batería.
3. Destrabe y abra el techo como se describe en la sección "Paneles de acceso".
4. Extraiga el fusible de 15 amperios del portafusibles que está debajo del controlador.
5. Desconecte el cable negativo (-) de la batería.
6. Retire ambas bujías para facilitar la rotación manual del cigüeñal del motor.
7. Para acceder con el fin de girar el motor a mano:  
Extraiga la tapa de extremo, extremo del controlador. Retire la pantalla acústica para lo cual debe extraer los dos tornillos autorroscantes que la sujetan a la base para acceder a la tuerca del cigüeñal. Vuelva a colocar la pantalla acústica y la tapa de extremo, extremo del controlador, cuando haya terminado.  
O retire la tapa de extremo, el extremo de escape para acceder al ventilador y el núcleo del alternador. Tome la precaución de usar el núcleo para la rotación a fin de evitar posibles daños a las aspas del ventilador, ya que si estas se dañan se afectará el flujo de aire que pasa a través del alternador. Vuelva a colocar la tapa de extremo, el extremo de escape cuando haya terminado.
8. Ajuste el cilindro n.º 1 en 1/4 pulgada (6 mm) pasado el punto muerto superior (TDC, en inglés) en la carrera de compresión.
9. Con un calibre (A), mida la holgura de las válvulas.
10. Para conocer la holgura correcta de las válvulas para la admisión y el escape, consulte la sección "Especificaciones del motor".
11. Ajuste la holgura aflojando la tuerca de seguridad (B), luego gire el tornillo de ajuste (C).



12. Luego de ajustar la holgura adecuada, sujete el tornillo de ajuste mientras ajusta la tuerca de seguridad hasta 70 pulg.-libra (8 N·m).
13. Repita estos pasos para el cilindro n.º 2.
14. Conecte el cable negativo (-) de la batería.
15. Instale el fusible de 15 amperios en el portafusibles.
16. Cierre y trabe el techo.
17. Restablezca la alimentación de la red al grupo electrógeno.
18. Oprima el interruptor ON/OFF (encendido/apagado) que está en la parte posterior del grupo electrógeno hasta la posición ON (encendido) (I).
19. Configure el modo del grupo electrógeno en **auto** (automático).

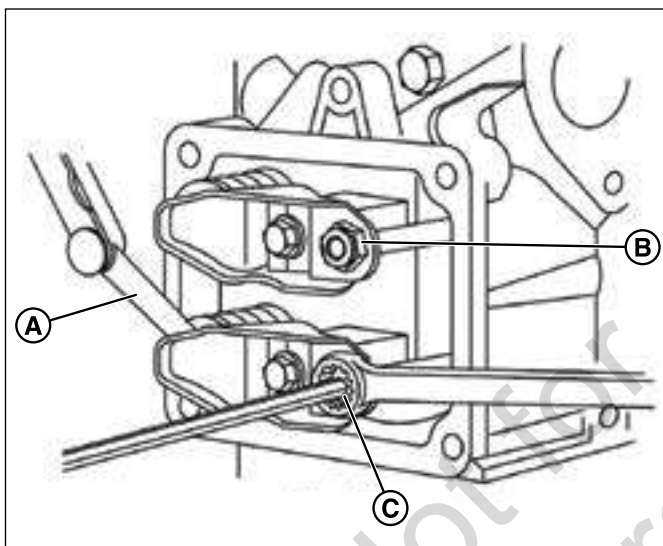


Figura 24

## Sistema de regulador electrónico

El sistema de regulador electrónico del motor ofrece mejor control y mayor rendimiento del generador en comparación con los sistemas de regulación mecánica. Como resultado se logra un funcionamiento estable y sin la "oscilación" que es común en numerosos reguladores mecánicos. El sistema también reduce las variaciones de velocidad bajo la carga y descarga del motor y reduce significativamente la fluctuación de la frecuencia cuando el motor funciona con cargas más altas.

El sistema de regulador electrónico cuenta con un motor de pasos (B), varillajes de control del acelerador del motor de pasos (C), y varillaje del lado del acelerador (A). El controlador incluye un controlador digital que procesa la información sobre las velocidades del motor y envía los comandos adecuados al motor de pasos para controlar la posición del acelerador del motor.

Dado que el sistema de regulador electrónico controla la demanda del acelerador del motor en función de la carga del generador, si ocurre un problema en dicho sistema, podrían surgir los siguientes códigos y/o las siguientes condiciones de servicio:

- El motor no arranca
- Sobrevelocidad
- Baja frecuencia
- Control del motor sin carga, inestable

Mientras resuelve cualquiera de estas condiciones, use la prueba del actuador del controlador para iniciar una verificación del sistema de regulador electrónico.

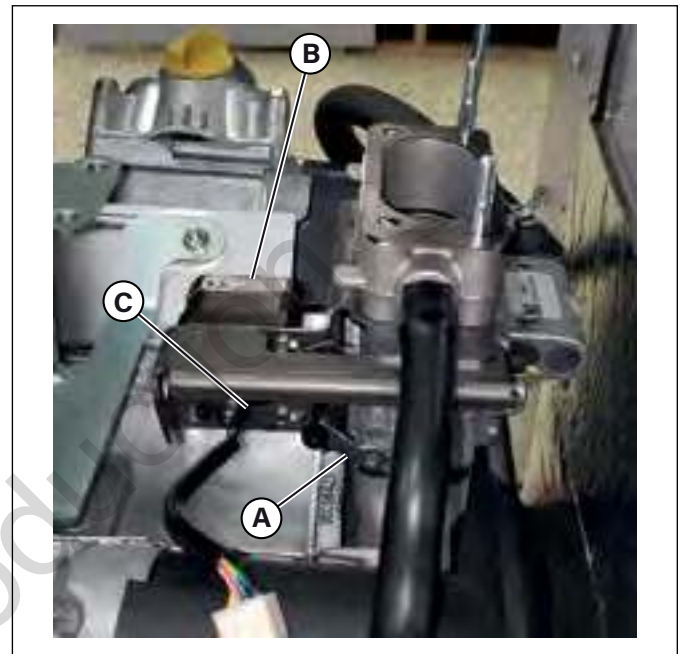


Figura 25

## Verificación de la regulación electrónica

El grupo electrógeno cuenta con una función de verificación de la regulación electrónica que enciende el motor de pasos y mueve el varillaje del acelerador en el sentido de las agujas del reloj y en el sentido contrario dentro de los límites del acelerador. La prueba hace girar el motor de pasos y mueve el brazo del acelerador entre el acelerador bien abierto y los límites de ralentí durante diez segundos como máximo. Esta verificación le permite comprobar visualmente si el motor de pasos funciona correctamente o no y si los varillajes de control están conectados o no. El motor no intentará arrancar durante esta prueba. Si el motor de pasos no se mueve o si un varillaje se atasca, es necesario hacer el mantenimiento del grupo electrógeno.

### AVISO

*Si el motor de pasos no se mueve, asegúrese de que su conector esté conectado.*

## Mantenimiento de las bujías

**ADVERTENCIA**  Una chispa accidental podría provocar un incendio o una descarga eléctrica y causar así lesiones graves o la muerte.

### AL AJUSTAR O REPARAR SU GRUPO ELECTRÓGENO

- Desconecte el cable de la bujía de esta y ubíquelo en un lugar donde no pueda entrar en contacto con la bujía.

### CUANDO PRUEBE LA BUJÍA DEL MOTOR -

- Utilice un comprobador de bujías aprobado.
- NO compruebe la chispa con la bujía extraída.

Cambiar las bujías ayuda a que el motor arranque más fácilmente y funcione mejor.

- Oprima el interruptor ON/OFF (encendido/apagado) que está en la parte posterior del grupo electrógeno hasta la posición OFF (apagado) (0).
- Sáquele la alimentación de la red pública al grupo electrógeno para desactivar el cargador de la batería.
- Destrabe y abra el techo como se describe en la sección "Paneles de acceso".
- Extraiga el fusible de 15 amperios del portafusibles que está debajo del controlador.
- Desconecte el cable negativo (-) de la batería.
- Limpe la superficie alrededor de las bujías.
- Extraiga e inspeccione las bujías.
- Controle la separación de los electrodos (A) con el calibrador de alambre para bujías (B) y reajuste dicha separación según lo recomendado si fuera necesario (consulte la sección "Especificaciones del motor").

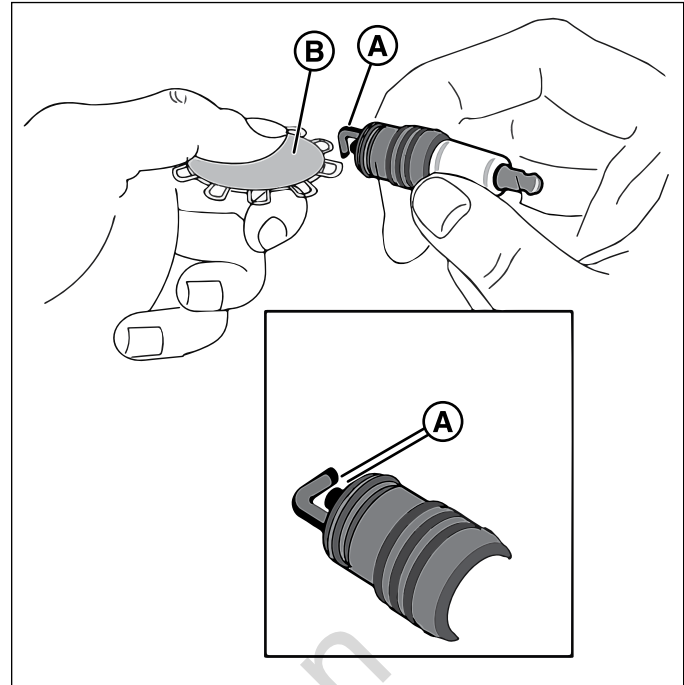


Figura 26

- Reemplace las bujías si los electrodos están picados o quemados, o si presentan grietas en la porcelana. Utilice las bujías de reemplazo recomendadas (consulte la sección "Especificaciones del motor").
- Coloque las bujías y ajústelas hasta 180 pulg.-libra (20 N·m).
- Conecte el cable negativo (-) de la batería.
- Instale el fusible de 15 amperios en el portafusibles.
- Cierre y trabe el techo.
- Restablezca la alimentación de la red al grupo electrógeno.
- Oprima el interruptor ON/OFF (encendido/apagado) que está en la parte posterior del grupo electrógeno hasta la posición ON (encendido) (I).
- Configure el modo del grupo electrógeno en **auto** (automático).

## Filtro de aire del motor

 **ADVERTENCIA**   Los vapores gaseosos son sumamente inflamables y explosivos. Un incendio o una explosión pueden causar quemaduras graves o la muerte.

- **Nunca arranque y ponga en marcha el motor si se extrajo el conjunto del depurador de aire (si viene equipado) o el filtro de aire (si viene equipado).**
1. Oprima el interruptor ON/OFF (encendido/apagado) que está en la parte posterior del grupo electrógeno hasta la posición OFF (apagado) (0).
  2. Sáquele la alimentación de la red pública al grupo electrógeno para desactivar el cargador de la batería.
  3. Destrahe y abra el techo como se describe en la sección "Paneles de acceso".
  4. Extraiga el fusible de 15 amperios del portafusibles que está debajo del controlador.
  5. Desconecte el cable negativo (-) de la batería.
  6. Extraiga el cartucho del filtro.
  7. Limpie el tubo de salida y verifique la válvula de descarga de polvo (si viene equipada). Utilice un paño limpio para limpiar la superficie de sellado del filtro y las superficies del tubo de salida. Elimine todos los agentes contaminantes antes de insertar el filtro nuevo. No dañe la superficie de sellado del tubo. Verifique y oprima la válvula de descarga de polvo que está sujeta a la cubierta de servicio y asegúrese de que es flexible y no está invertida, dañada u obstruida.
  8. Limpie el filtro. Use un cepillo de cerdas suaves para aflojar la suciedad y una aspiradora para eliminar la suciedad y los residuos. Reemplace el cartucho del filtro si encuentra algún orificio en el medio filtrante.
  9. Coloque correctamente el filtro limpio, insertándolo con precaución. Antes de volver a poner la cubierta en su lugar, asiente el filtro manualmente, comprobando que quede completamente asentado en la carcasa del filtro de aire.
  10. Coloque la cubierta de servicio. Asegúrese de que todas las bandas de montaje, las abrazaderas, los pernos y las conexiones de todo el sistema del filtro de aire estén bien ajustados. Verifique si hay orificios en la tubería y repárelas si fuera necesario.
  11. Conecte el cable negativo (-) de la batería.
  12. Instale el fusible de 15 amperios en el portafusibles.
  13. Cierre y trabe el techo.
  14. Restablezca la alimentación de la red al grupo electrógeno.
  15. Oprima el interruptor ON/OFF (encendido/apagado) que está en la parte posterior del grupo electrógeno hasta la posición ON (encendido) (1).
  16. Configure el modo del grupo electrógeno en **auto** (automático).

## Mantenimiento del sistema de escape

 **ADVERTENCIA**  El contacto con el área del silenciador podría ocasionar quemaduras que provocaran lesiones graves.

- **NO toque las piezas calientes y EVITE los gases de escape calientes.**
- **Deje que el equipo se enfríe antes de tocarlo.**

Verifique lo siguiente cuando inspeccione el sistema de escape:

- Inspeccione el colector del sistema de escape en la cabeza del cilindro para detectar pérdidas.
- Verifique que todos los pernos y las protecciones restantes (si se usan) estén en su lugar.
- Inspeccione las sujeciones entre el colector y la tubería de escape para comprobar que estén bien ajustadas y que no haya pérdidas de escape. Realice las reparaciones necesarias si hubiera pérdidas.
- Inspeccione la conexión de la tubería de escape para detectar pérdidas. Realice las reparaciones necesarias si hubiera pérdidas.

Usar u operar el motor sin un amortiguador de chispas en el sistema de escape (según se define en la Sección 4442) en cualquier terreno cubierto con bosques, malezas o césped constituye un incumplimiento del Código de Recursos Públicos de California, Sección 4442. Además, el código especifica que se debe hacer el mantenimiento del amortiguador de chispas y que debe estar en óptimas condiciones de funcionamiento. Otros estados pueden tener leyes similares. Consulte la Regulación Federal 36 CFT Artículo 261.52.

## Mantenimiento del sistema de combustible

 **ADVERTENCIA**   El propano y el gas natural son sumamente inflamables y explosivos, con lo cual pueden causar quemaduras, incendios o explosiones que provoquen lesiones graves o la muerte.

- **Inspeccione periódicamente el sistema de combustible.**
- **NO se permite que haya ninguna pérdida.**
- **NO opere el motor si siente olor a combustible.**

## Regulador de presión

Los componentes del regulador y la presión se diseñaron y calibraron específicamente para cumplir con los requisitos del sistema de combustible del motor.

Si el regulador no funciona o desarrolla una pérdida, repárelo o reemplácelo con las piezas de reemplazo recomendadas del fabricante del equipo original. Cuando inspeccione el regulador, compruebe lo siguiente:

- Verifique si hay alguna pérdida de combustible en las conexiones de entrada y de salida.

- Verifique si hay alguna pérdida de combustible en el cuerpo del regulador.
- Verifique para comprobar que el regulador está correctamente montado y que los pernos de montaje están ajustados.
- Verifique el regulador para detectar si hay daños externos.

## Dispositivo de control del acelerador y el mezclador

Los componentes del cuerpo del acelerador y el mezclador se diseñaron específicamente para cumplir los requisitos del sistema de combustible del motor.

Si el filtro de aire está sucio, puede modificar significativamente el rendimiento del mezclador. Asegúrese de que el filtro de aire esté limpio. Cuando inspeccione el cuerpo del acelerador y el mezclador, verifique lo siguiente:

- Controle todas las conexiones para detectar pérdidas.
- Compruebe que el cuerpo del acelerador y el mezclador estén bien instalados.
- Inspeccione y limpie el elemento del filtro de aire de acuerdo con los intervalos de servicio recomendados que se indican en la sección "Programa de mantenimiento".
- Inspeccione la conexión y la abrazadera de la manguera de entrada de aire. Inspeccione la manguera para detectar si está agrietada, partida o quemada por rozamiento. Reemplace la manguera si es necesario.
- Verifique el cuerpo del acelerador y el colector de admisión para detectar pérdidas.

## Alarmas (Sistema de detección de códigos de servicio)

El grupo electrógeno funciona durante períodos prolongados sin la presencia de un operador. En consecuencia, el sistema cuenta con sensores que apagan automáticamente el grupo electrógeno en condiciones posiblemente perjudiciales, como presión baja de aceite, altas temperaturas, exceso de velocidad y otras condiciones.

Las descripciones de las alarmas de mantenimiento aparecen en la pantalla digital del controlador del grupo electrógeno.

Consulte la sección "Alarmas" del manual en línea por separado con el título *Manual de instrucciones de funcionamiento del controlador del grupo electrógeno SERIE GC1030 GENSET* (número de pieza 80086364) para obtener información sobre las descripciones de las alarmas de mantenimiento.

## Confirmación y restablecimiento de las alarmas (Sistema de detección de códigos de servicio)

Oprima las flechas arriba y abajo (A) simultáneamente para restablecer la alarma.

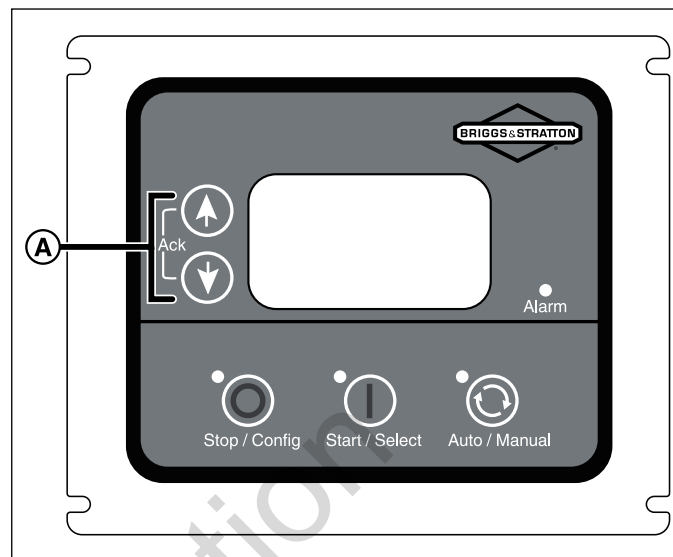


Figura 27

## Mantenimiento del sistema eléctrico Cableado y conexiones

El sistema eléctrico del grupo electrógeno incorpora computadoras para controlar diversos componentes. Para los conectores y las conexiones a tierra del sistema eléctrico se requieren buenas conexiones. Cuando inspeccione el sistema eléctrico, controle lo siguiente:


- Verifique si los cables positivo (+) y negativo (-) de la batería presentan corrosión, fricción, rozaduras y quemaduras. Asegúrese de que las conexiones en ambos extremos estén bien ajustadas.
- Controle la batería para detectar grietas o daños en la carcasa. Reemplace la batería si es necesario.
- Inspeccione si el arnés de cables del motor presenta fricción, rozaduras, pellizcos, quemaduras y grietas, y roturas en el cableado.
- Asegúrese de que los conectores del arnés de cables del motor estén correctamente asegurados.
- Inspeccione si el cable de la bobina de encendido presenta endurecimiento, grietas, rozaduras, quemaduras, separación y cubiertas de funda partidas.
- Inspeccione si los cables de las bujías presentan endurecimiento, grietas, rozaduras y quemaduras. Controle si presentan separación y cubiertas de fundas partidas.





- Reemplace las bujías según los intervalos necesarios que se indican en la sección "Programa de mantenimiento".
- Compruebe que todos los componentes eléctricos estén bien montados en el motor o el chasis.
- Compruebe que cualquier otro servicio eléctrico adicional instalado por el propietario se haya instalado correctamente en el sistema.

## Mantenimiento de la batería

El mantenimiento de la batería debe ser realizado o al menos supervisado por una persona que sepa de baterías y de las precauciones que requieren. Mantenga al personal no autorizado alejado de las baterías.

 **ADVERTENCIA**   **El fluido electrolítico de la batería contiene ácido y es sumamente cáustico. El contacto con el contenido de la batería podría ocasionar quemaduras químicas de gravedad.**

- **NO abra ni manipule indebidamente la batería.**
- **Utilice gafas de protección y delantal, botas y guantes de goma.**
- **Lávese de inmediato la piel con agua para eliminar el electrolito.**
- **Si el electrolito entra en contacto con los ojos, láveselos de inmediato con agua y consulte a un médico.**
- **Lave el electrolito derramado con un agente neutralizante de ácidos.**

 **ADVERTENCIA**  **Durante su recarga, las baterías almacenadas producen gas hidrógeno explosivo. Con solo una pequeña chispa el hidrógeno puede encenderse y ocasionar una explosión, que produzca lesiones graves o la muerte.**

- **NO deseche la batería arrojándola al fuego. Recicle la batería.**
- **NO permita la presencia de ninguna llama abierta, chispas, calor, ni cigarrillos encendidos en las proximidades de la batería durante el proceso de carga y durante varios minutos después de cargarla.**

 **ADVERTENCIA**  **La elevada corriente de cortocircuito de las baterías podría ocasionar lesiones graves.**

- **Quítese los relojes, anillos u otros objetos metálicos.**
- **Utilice herramientas que tengan el mango aislado.**
- **Desconecte la fuente de carga antes de conectar o desconectar los terminales de las baterías.**
- **No apoye herramientas ni piezas metálicas sobre las baterías.**
- **Desconecte el cable negativo (-) de la batería durante los trabajos de instalación y mantenimiento.**

1. Oprima el interruptor ON/OFF (encendido/apagado) que está en la parte posterior del grupo electrógeno hasta la posición OFF (apagado) (0).
2. Sáquele la alimentación de la red pública al grupo electrógeno para desactivar el cargador de la batería.
3. Destrabe y abra el techo como se describe en la sección "Paneles de acceso".
4. Extraiga el fusible de 15 amperios del portafusibles que está debajo del controlador.
5. Desconecte el cable negativo (-) de la batería.
6. Desconecte el cable positivo (+) de la batería.
7. Repare o reemplace la batería según sea necesario.
8. Conecte el cable positivo (+) a la batería.
9. Conecte el cable negativo (-) a la batería.
10. Instale el fusible de 15 amperios a la portafusibles.
11. Cierre y trabe el techo.
12. Restablezca la alimentación de la red al grupo electrógeno.
13. Oprima el interruptor ON/OFF (encendido/apagado) que está en la parte posterior del grupo electrógeno hasta la posición ON (encendido) (I).
14. Configure el modo del grupo electrógeno en **auto** (automático).

## Reemplazo de la batería

1. Oprima el interruptor ON/OFF (encendido/apagado) que está en la parte posterior del grupo electrógeno hasta la posición OFF (apagado) (0).
2. Sáquele la alimentación de la red pública al grupo electrógeno para desactivar el cargador de la batería.
3. Destrabe y abra el techo como se describe en la sección "Paneles de acceso".
4. Extraiga el fusible de 15 amperios del portafusibles que está debajo del controlador.
5. Desconecte el cable negativo (-) de la batería.
6. Desconecte el cable positivo (+) de la batería.
7. Saque la batería y coloque la batería de repuesto.



**NO CONTAMINE. PROTEJA LOS RECURSOS. REGRESE LAS BATERÍAS USADAS A UN CENTRO DE RECOLECCIÓN PARA RECICLADO.**

8. Conecte el cable positivo (+) a la batería.
9. Conecte el cable negativo (-) a la batería.
10. Instale el fusible de 15 amperios a la portafusibles.
11. Cierre y trabe el techo.
12. Restablezca la alimentación de la red al grupo electrógeno.
13. Oprima el interruptor ON/OFF (encendido/apagado) que está en la parte posterior del grupo electrógeno hasta la posición ON (encendido) (I).
14. Configure el modo del grupo electrógeno en **auto** (automático).

## Carga de la batería

Si es necesario, cargue la batería. Carguela usando los siguientes pasos:

1. Oprima el interruptor ON/OFF (encendido/apagado) que está en la parte posterior del grupo electrógeno hasta la posición OFF (apagado) (0).
2. Sáquele la alimentación de la red pública al grupo electrógeno para desactivar el cargador de la batería.
3. Destrabe y abra el techo como se describe en la sección "Paneles de acceso".
4. Extraiga el fusible de 15 amperios del portafusibles que está debajo del controlador.
5. Desconecte el cable negativo (-) de la batería.

### AVISO

*Si no se desconecta el cable negativo de la batería podría fallar el equipo. NO intente arrancar el grupo electrógeno con un puente. Los daños al equipo que ocurran por no obedecer estas instrucciones anularán la garantía del motor y del grupo electrógeno.*

6. Cargue la batería con el cargador de baterías en 2 amperios hasta que tenga 12 voltios. NO exceda los 13.7 voltios al cargar la batería.

### AVISO

*NO use un elevador de batería para cargar rápidamente una batería con poca carga.*

7. Conecte el cable negativo (-) de la batería.
8. Instale el fusible de 15 amperios en el portafusibles.
9. Cierre y trabe el techo.
10. Restablezca la alimentación de la red al grupo electrógeno.
11. Oprima el interruptor ON/OFF (encendido/apagado) que está en la parte posterior del grupo electrógeno hasta la posición ON (encendido) (I).
12. Configure el modo del grupo electrógeno en **auto** (automático).





## RESOLUCIÓN DE PROBLEMAS

Consulte la sección "Alarmas" del manual en línea por separado titulado "*Instrucciones de funcionamiento del controlador del grupo electrógeno SERIE GC1030 GENSET*" (número de pieza 80086364) para obtener información sobre la descripción y las causas de las alarmas de mantenimiento.

### Resolución de problemas

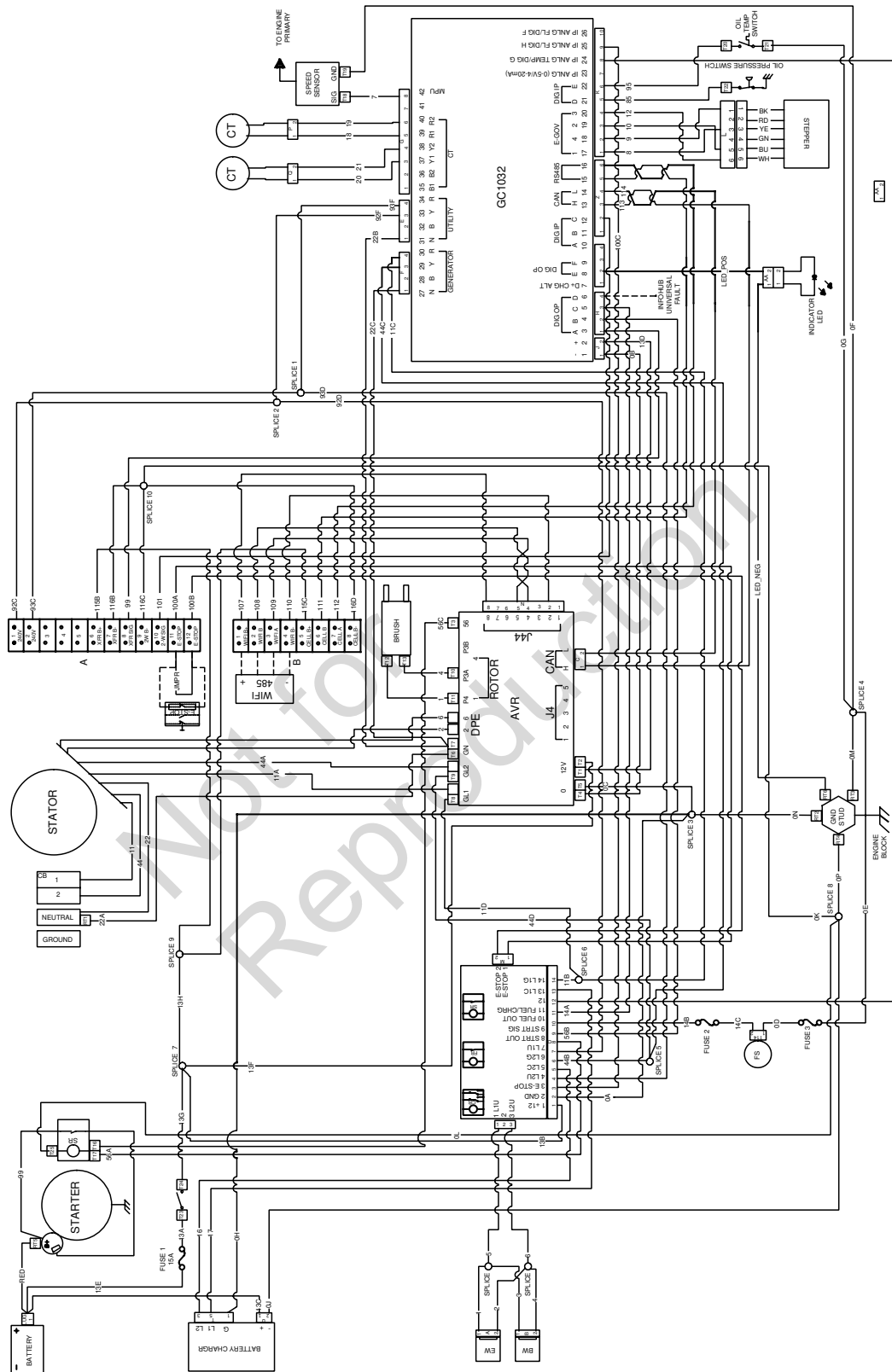
PROBLEMA	CAUSA	CORRECCIÓN
El motor funciona pero no hay salida de CA disponible.	<ol style="list-style-type: none"> <li>1. Disyuntor abierto o averiado</li> <li>2. Una alarma en el Controlador del grupo electrógeno</li> <li>3. Malas conexiones de cableado o interruptor de transferencia averiado</li> </ol>	<ol style="list-style-type: none"> <li>1. Restablezca o reemplace el disyuntor.</li> <li>2. Consulte el manual en línea por separado titulado "<i>Instrucciones de funcionamiento SERIE GC1030 GENSET</i>" (número de pieza 80086364) para obtener información. Comuníquese con el centro de servicio local.</li> <li>3. Contrólole y repárelo o comuníquese con el centro de servicio local.</li> </ol>
El motor funciona bien sin carga pero se "atasca" cuando se conectan cargas.	<ol style="list-style-type: none"> <li>1. Grupo electrógeno sobrecargado</li> <li>2. Cortocircuito en una carga conectada</li> <li>3. Circuito del grupo electrógeno en cortocircuito</li> <li>4. Presión o mezcla de combustible incorrecta</li> <li>5. Línea de combustible torcida entre el regulador y el motor</li> <li>6. Filtro de aire obstruido</li> </ol>	<ol style="list-style-type: none"> <li>1. Retire una o más cargas.</li> <li>2. Desconecte la carga eléctrica en cortocircuito.</li> <li>3. Comuníquese con el centro de servicio local.</li> <li>4. Consulte la sección Sistema de combustible gaseoso.</li> <li>5. Elimine la torcedura. Reemplace la línea si es necesario.</li> <li>6. Limpie o reemplace el filtro de aire.</li> </ol>
El motor no arranca o arranca pero funciona bruscamente.	<ol style="list-style-type: none"> <li>1. Falta el fusible de 15 amperios o está quemado</li> <li>2. Fusible o fusibles térmicos quemados</li> <li>3. Suministro de combustible apagado o agotado</li> <li>4. Selección de combustible incorrecta</li> <li>5. Batería averiada</li> <li>6. Filtro de aire obstruido</li> <li>7. Atasco del varillaje del acelerador</li> </ol>	<ol style="list-style-type: none"> <li>1. Instale un fusible de 15 amperios nuevo. Consulte la sección "Controlador del sistema." Reemplace el o los fusibles térmicos.</li> <li>2. Reemplace el o los fusibles térmicos.</li> <li>3. Abra la o las válvulas de combustible y controle el depósito de propano.</li> <li>4. Controle el interruptor selector de combustible y ajústelo en la configuración adecuada (de corresponder).</li> <li>5. Reemplace la batería.</li> <li>6. Limpie o reemplace el filtro de aire.</li> <li>7. Controle el varillaje.</li> </ol>
El motor se apaga durante el funcionamiento.	<ol style="list-style-type: none"> <li>1. Suministro de combustible apagado o agotado</li> <li>2. Aparece una alarma en la pantalla digital del controlador</li> </ol>	<ol style="list-style-type: none"> <li>1. Controle las válvulas de combustible y llene el depósito de propano.</li> <li>2. Consulte el manual en línea por separado titulado "<i>Instrucciones de funcionamiento SERIE GC1030 GENSET</i>" (número de pieza 80086364) para obtener información.</li> </ol>

PROBLEMA	CAUSA	CORRECCIÓN
Los circuitos pierden potencia.	<ol style="list-style-type: none"> <li>1. Disyuntor de grupo electrógeno abierto</li> <li>2. Problemas del interruptor de transferencia</li> </ol>	<ol style="list-style-type: none"> <li>1. Restablezca el disyuntor.</li> <li>2. Consulte el manual del interruptor de transferencia.</li> </ol>
La unidad no activa la práctica.	<ol style="list-style-type: none"> <li>1. El Controlador no está configurado en <b>auto</b> (automático).</li> <li>2. El temporizador de práctica no está configurado o se configuró en OFF (apagado).</li> <li>3. No se configuró la fecha y la hora de la unidad.</li> <li>4. Batería averiada.</li> <li>5. Falta el fusible de 15 amperios o está quemado.</li> </ol>	<ol style="list-style-type: none"> <li>1. Oprima el botón <b>auto</b> (automático) en el controlador.</li> <li>2. Configure el temporizador de práctica.</li> <li>3. Configure la fecha y la hora de la unidad.</li> <li>4. Reemplace la batería.</li> <li>5. Instale un fusible de 15 amperios nuevo. Consulte la sección "Controlador del sistema." Reemplace el o los fusibles térmicos.</li> </ol>
El grupo electrógeno vibra excesivamente.	Afloje la sujeción mecánica.	Contrólole y repárelo o comuníquese con el centro de servicio local.
La energía de la red pública regresa y la unidad no se detiene.	<ol style="list-style-type: none"> <li>1. Fusibles quemados en el interruptor de transferencia.</li> <li>2. El enfriado de cinco minutos aún está en proceso.</li> <li>3. Mala conexión de los cables o controladores averiados.</li> </ol>	<ol style="list-style-type: none"> <li>1. Instale fusibles nuevos.</li> <li>2. Espere cinco minutos.</li> <li>3. Controle y repare la unidad o comuníquese con el centro de servicio local.</li> </ol>
Existen posibles problemas en el modo <b>manual</b> .	-	Consulte la Tabla 7 (Fallas comunes y sus medidas correctivas) en el manual en línea por separado titulado " <i>Instrucciones de funcionamiento del controlador del grupo electrógeno SERIE GC1030 GENSET</i> " (número de pieza 80086364) para obtener información.
Existen posibles problemas en el modo <b>auto</b> (automático).	-	Consulte la Tabla 7 (Fallas comunes y sus medidas correctivas) en el manual en línea por separado titulado " <i>Instrucciones de funcionamiento del controlador del grupo electrógeno SERIE GC1030 GENSET</i> " (número de pieza 80086364) para obtener información.
Existen posibles problemas con la regulación eléctrica.	-	Consulte la Tabla 7 (Fallas comunes y sus medidas correctivas) en el manual en línea por separado titulado " <i>Instrucciones de funcionamiento del controlador del grupo electrógeno SERIE GC1030 GENSET</i> " (número de pieza 80086364) para obtener información.

Por ayuda, llame al 800-732-2989 o visite [www.briggsandstratton.com](http://www.briggsandstratton.com).



# DIAGRAMAS Y ESQUEMAS



## ESPECIFICACIONES

### Especificaciones del grupo electrógeno

		17 kW	20 kW	26 kW
Amperaje en funcionamiento, Espera (PL/GN) (Amperios)		70.8/70.8 A	83.3/83.3 A	108.3/100 A
Voltaje nominal de CA		120/240 V		
Fase		Monofásico		
Frecuencia		60 Hz		
Disyuntor del grupo electrógeno		80 A	100 A	125 A
Temperatura ambiente de funcionamiento		-20° - 104° F (-28° - 40° C)		
Peso con embalaje		520 lb (240 kg)	520 lb (240 kg)	625 lb (285 kg)
Clasificación acústica según ISO 3744. Mic. más bajo a 23 pies (7 m) con la carga indicada.	Modo de ralentí bajo	65 dB(A)	65 dB(A)	63 dB(A)
	Funcionamiento normal	68 dB(A)	68 dB(A)	65 dB(A)

### Especificaciones del motor

Cilindrada	60.60 ci (993 cc)
Diámetro interior del cilindro	3.405 pulg. (86.5 mm)
Carrera	3.366 pulg. (85.5 mm)
Separación de los electrodos de la bujía	.030 pulg. (.76 mm)
Par de apriete de la bujía	180 libra-pulg. (20 N·m)
Entrehierro del inducido	.005-.008 pulg. (.13-.20 mm)
Holgura de la válvula de admisión	.004-.006 pulg. (.10-.15 mm)
Holgura de la válvula de escape	.007-.008 pulg. (.15-.20 mm)
Tipo de aceite	5W-30 completamente sintético
Capacidad de aceite (con filtro)	78-80 onzas (2.30-2.40 l)
Perno de la cubierta de extremo del motor	220 libra-pulg. (25 N·m)

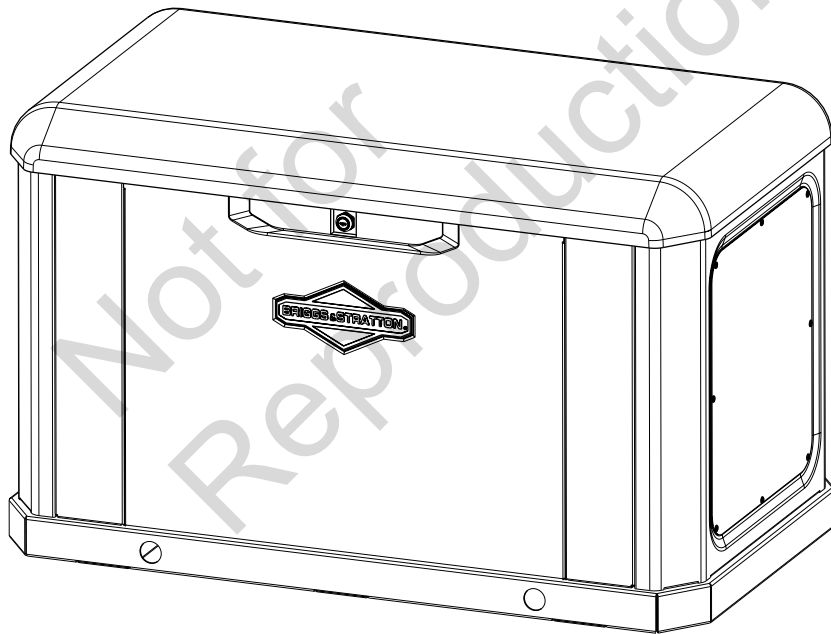




fr Manuel d'installation et d'utilisation

17 kW 20 kW 26 kW

fr Groupe électrogène autonome monophasé refroidi à l'air



Ce groupe électrogène est certifié UL (Underwriters Laboratories) 2200 (groupes électrogènes à moteur fixe) et conforme à la norme CSA (Canadian Standards Association) C22.2 N. 100-14 (moteurs et groupes électrogènes).

# TABLE OF CONTENTS

<b>PROPOSITION 65 DE LA CALIFORNIE</b> .....	<b>3</b>	<b>FONCTIONNEMENT</b> .....	<b>30</b>
<b>MERCI</b> .....	<b>3</b>	Commandes.....	30
<b>OÙ TROUVER BRIGGS &amp; STRATTON</b> .....	<b>3</b>	Considérations importantes pour le propriétaire.....	32
<b>POUR RÉFÉRENCE ULTÉRIEURE</b> .....	<b>3</b>	Séquence de fonctionnement automatique.....	33
<b>CONSIGNES DE SÉCURITÉ IMPORTANTES</b> .....	<b>3</b>	Réglage du minuteur de fonctionnement.....	33
Symbole d'alerte de sécurité et termes signalétiques.....	4	<b>MAINTENANCE</b> .....	<b>33</b>
Symboles de sécurité et signification.....	4	Entretien du système.....	33
Messages de sécurité.....	5	Programme d'entretien.....	34
Informations à l'utilisateur de la FCC Partie 15.....	8	Entretien du groupe électrogène.....	34
<b>INFORMATIONS GÉNÉRALES</b> .....	<b>8</b>	Nettoyage du groupe électrogène.....	34
Description de l'équipement.....	8	Entretien du moteur.....	35
Responsabilités de l'installateur.....	8	Remplacement de l'huile moteur et du filtre à huile.....	36
Responsabilités du propriétaire.....	8	Réglage du jeu de soupapes.....	36
Facteurs à prendre en compte pour l'installation.....	9	Système de régulation électronique.....	37
Inspection à la livraison.....	9	Vérification de la régulation électronique.....	37
Contenu d'expédition.....	9	Entretien des bougies.....	38
<b>POSITIONNEMENT DU GROUPE ÉLECTROGÈNE</b> .....	<b>9</b>	Filtre à air du moteur.....	39
Considérations sur l'emplacement du groupe électrogène.....	10	Entretien du système d'échappement.....	39
Réduction des risques d'intoxication au CO.....	10	Entretien du circuit de carburant.....	39
Réduction des risques d'incendie.....	14	Dispositif de commande du mélangeur et du papillon.....	40
Normes fédérales et internationales.....	15	Alarmes (système de détection de code d'entretien).....	40
Autres directives générales sur l'emplacement.....	16	Acquittement et réinitialisation des alarmes (système de détection de code d'entretien).....	40
<b>INSTALLATION</b> .....	<b>16</b>	Maintenance du circuit électrique.....	40
Levage du groupe électrogène.....	16	<b>DÉPANNAGE</b> .....	<b>43</b>
Kit basses températures.....	17	Dépannage.....	43
Ancrage et résistance au vent.....	17	Spécifications du groupe électrogène.....	46
Emplacements des entrées électriques et d'arrivée de carburant.....	18	Spécifications du moteur.....	46
Panneaux d'accès.....	18		
Plan d'installation du circuit de carburant.....	19		
Raccordements électriques sur place.....	23		
Considérations finales sur l'installation.....	27		
Contrôleur du système.....	28		
Démarrage initial (à vide).....	28		

## PROPOSITION 65 DE LA CALIFORNIE

**⚠ AVERTISSEMENT** Ce produit peut vous exposer à des produits chimiques dont l'huile moteur, connus selon l'état de Californie pour causer des cancers, et le monoxyde de carbone, connu selon l'état de Californie pour causer des anomalies congénitales ou d'autres problèmes de reproduction. Pour plus d'informations, visitez le site [www.P65Warnings.ca.gov](http://www.P65Warnings.ca.gov).

## MERCI

Nous vous remercions d'avoir acheté ce groupe électrogène Briggs & Stratton®. Nous sommes heureux de la confiance que vous avez accordée à la marque Briggs & Stratton. S'il est utilisé et entretenu conformément aux instructions de ce manuel, votre groupe électrogène peut garantir un fonctionnement fiable pendant de nombreuses années.

Ce manuel contient des consignes de sécurité qui renseignent sur les dangers et les risques associés aux groupes électrogènes de secours et expliquent comment les éviter. Ce produit est conçu uniquement pour être utilisé comme groupe électrogène optionnel. Il fournit une source d'énergie électrique alternative et alimente des charges telles que les systèmes de chauffage et de réfrigération, et les systèmes de communication qui, en cas d'arrêt dû à une panne de courant, peuvent causer des désagréments.

**CONSERVER CES INSTRUCTIONS.** Ce manuel contient des instructions importantes que les utilisateurs doivent respecter pendant l'installation, l'utilisation et la maintenance du groupe électrogène et de la batterie.

**Ce groupe électrogène exige une installation professionnelle avant l'utilisation.** L'installateur doit strictement respecter les instructions.

## OÙ TROUVER BRIGGS & STRATTON

Les utilisateurs n'ont pas à chercher loin pour trouver un centre d'assistance et d'entretien pour leur groupe électrogène. De nombreux concessionnaires agréés dans le monde entier fournissent un service de qualité. Les propriétaires peuvent aussi contacter le Service clientèle au 800-732-2989 entre 8h00 et 17h00 HNC ou cliquer sur "Dealer Locator" sur le site [www.briggsandstratton.com](http://www.briggsandstratton.com), qui fournit une liste de concessionnaires agréés.

## POUR RÉFÉRENCE ULTÉRIEURE

Compléter les informations suivantes et les conserver avec le reçu. Conserver ces informations à portée de main pour contacter l'installateur ou un concessionnaire agréé pour toute question concernant l'entretien ou la réparation du groupe.

Date d'achat : \_\_\_\_\_

Concessionnaire/revendeur : \_\_\_\_\_

N° de téléphone du concessionnaire/  
revendeur : \_\_\_\_\_

### GRUPE ÉLECTROGÈNE :

Numéro du modèle : \_\_\_\_\_

Révision du modèle : \_\_\_\_\_

Numéro de série : \_\_\_\_\_

### MOTEUR :

Numéro du modèle : \_\_\_\_\_


Numéro de série : \_\_\_\_\_

## CONSIGNES DE SÉCURITÉ IMPORTANTES


Briggs & Stratton a fait tout son possible pour garantir que les informations figurant dans ce manuel sont exactes et valides. Cependant Briggs & Stratton se réserve le droit de modifier, d'altérer ou d'améliorer le produit et ce document à tout moment sans préavis.

Il est impossible pour le fabricant d'anticiper toutes les circonstances pouvant comporter un danger. Les avertissements figurant dans ce manuel et les étiquettes et autocollants fixés sur le produit ne sont, par conséquent, pas exhaustifs. En cas d'utilisation d'une procédure, d'une méthode de travail ou d'une technique d'utilisation non recommandée par le fabricant, s'assurer qu'elle est sûre pour l'opérateur et pour les autres. S'assurer que la procédure choisie, la méthode de travail ou la technique d'utilisation ne compromet pas la sécurité du groupe électrogène.

## Symbole d'alerte de sécurité et termes signalétiques

 Le symbole d'alerte de sécurité identifie des informations de sécurité sur les dangers pouvant entraîner des blessures. Un terme signalétique (**DANGER**, **AVERTISSEMENT**, ou **MISE EN GARDE**) accompagne le symbole d'alerte pour indiquer la probabilité et la gravité potentielles des blessures. De plus, un symbole de danger peut représenter le type de danger.



 **DANGER** Indique un danger qui, s'il n'est pas évité, entraînera la mort ou des blessures graves.

 **AVERTISSEMENT** Indique un danger qui, s'il n'est pas évité, pourrait entraîner la mort ou des blessures graves.

 **ATTENTION** Indique un danger qui, s'il n'est pas évité, pourrait entraîner des blessures légères ou modérées.

**NOTE** Indique des informations considérées importantes mais non liées aux dangers.

## Symboles de sécurité et signification

SYMBOLE	SIGNIFICATION
	Symbole d'alerte de sécurité Indique un risque potentiel de blessure.
	Lire le manuel Le non-respect des avertissements, des instructions et du <i>Manuel d'installation et d'utilisation</i> peut entraîner la mort ou de graves blessures.

	Incendie
	Explosion
	Choc électrique
	Gaz toxique
	Porter une protection oculaire
	Produit chimique dangereux
	Surface chaude
	Démarrage automatique



## Messages de sécurité

### AVERTISSEMENT



Le non-respect du *Manuel d'utilisation*, de tous les avertissements et des instructions d'utilisation peut entraîner la mort ou des blessures graves.

### AVERTISSEMENT



Les gaz d'échappement du moteur contiennent du monoxyde de carbone, un gaz toxique qui peut tuer en quelques minutes. Il est inodore, invisible et sans saveur. Même si l'on ne sent pas de gaz d'échappement, une exposition au monoxyde de carbone est toujours possible.

- Utiliser ce produit **UNIQUEMENT** à l'extérieur, dans une zone où les gaz d'échappement mortels ne s'accumulent pas.
- Diriger les gaz d'échappement loin des fenêtres, des portes, des bouches d'aération, des événements de soffite, des vides sanitaires, des portes de garage ouvertes ou d'autres ouvertures permettant aux gaz d'échappement de pénétrer à l'intérieur ou d'être aspirés dans un bâtiment ou une structure potentiellement occupé.
- Des détecteurs de monoxyde de carbone **DOIVENT** être installés à l'intérieur et entretenus conformément aux instructions et aux recommandations du fabricant. Les détecteurs de fumée ne détectent pas le monoxyde de carbone.
- En cas de sensation de malaise, d'étourdissement ou de fatigue, ou si l'alarme de monoxyde de carbone retentit pendant l'utilisation de ce produit, respirer immédiatement de l'air frais. Appeler les services d'urgence. Il s'agit probablement d'un empoisonnement au monoxyde de carbone.

### AVERTISSEMENT



Les batteries rechargeables dégagent de l'hydrogène explosif pendant la recharge. La moindre étincelle peut enflammer l'hydrogène et causer une explosion, entraînant la mort ou des blessures graves.

- NE PAS** éliminer la batterie dans un feu. Recycler la batterie.
- ÉVITER** la présence de flammes nues, d'étincelles, de chaleur ou de cigarette allumée pendant et durant plusieurs minutes après avoir rechargé une batterie.

### AVERTISSEMENT



L'électrolyte de la batterie contient de l'acide et est extrêmement caustique. Tout contact avec le contenu de la batterie peut causer de graves brûlures chimiques.

- NE PAS** ouvrir ou abîmer la batterie.
- Porter des lunettes de protection, un tablier en caoutchouc, des chaussures en caoutchouc et des gants en caoutchouc.
- Rincer immédiatement l'électrolyte avec de l'eau en cas de contact avec la peau.
- En cas de contact de l'électrolyte avec les yeux, rincer immédiatement avec de l'eau et consulter un médecin.
- Éliminer l'électrolyte déversé avec un agent de neutralisation à base d'acide.

### AVERTISSEMENT



Un courant de court-circuit élevé de la batterie peut entraîner des blessures graves.

- Retirer les montres, les bagues et autres objets métalliques.
- Utiliser des outils munis de poignées isolantes.
- Débrancher la source de charge avant de brancher ou de débrancher les bornes de la batterie.
- Ne pas poser d'outils ou de pièces métalliques sur les batteries.
- Débrancher le câble négatif (-) au niveau de la batterie pendant l'installation et la maintenance.

### AVERTISSEMENT



Si le groupe électrogène n'est pas isolé de l'alimentation de réseau, les ouvriers des services d'électricité pourraient être tués ou gravement blessés par la réalimentation de l'énergie électrique.

- Utiliser un inverseur de source homologué pour le raccordement au système électrique d'un bâtiment.

### AVERTISSEMENT



La tension du groupe électrogène peut causer des chocs électriques ou des brûlures, entraînant la mort ou des blessures graves.

- L'installation doit être effectuée par un professionnel habilité.
- Débrancher toutes les sources d'électricité avant d'installer ou d'entretenir l'équipement.
- Relier le système à la terre avant de le mettre sous tension.

**AVERTISSEMENT****Tension dangereuse -**

L'installation d'un câble à basse et haute tension dans le même conduit peut causer des chocs électriques ou des brûlures, entraînant la mort ou des blessures graves.

- Ne pas faire passer un câble à basse et haute tension dans le même conduit sauf si TOUT le câblage a une classe d'isolation de 600 V. Consulter le National Fire Protection Association (NFPA) 70 pour plus d'informations.

**AVERTISSEMENT****La chaleur/les gaz**

d'échappement peuvent enflammer les matières combustibles ou les structures et entraîner la mort ou des blessures graves.

- La sortie d'échappement de l'enveloppe du groupe électrogène doit se trouver à une distance minimum de 5 pieds (1,50 m) de structures, d'arbustes, d'arbres ou de végétation.
- L'enveloppe doit se trouver à une distance minimum de 5 pieds (1,50 m) de fenêtres, de portes, d'ouvertures de murs, d'arbustes ou de végétation dont la hauteur dépasse 12 pouces (30,50 cm).
- L'enveloppe doit avoir un dégagement en hauteur minimum de 5 pieds (1,50 m) par rapport aux structures, aux surplombs ou aux arbres.
- NE PAS placer l'enveloppe sous une plateforme ou un type de structure qui pourrait limiter la circulation de l'air.
- Des détecteurs de fumée DOIVENT être installés et à l'intérieur et entretenus conformément aux instructions du fabricant. Les détecteurs de monoxyde de carbone ne détectent pas la fumée.
- Ne pas placer l'enveloppe de manière différente à celle indiquée dans les illustrations.

**AVERTISSEMENT****La chaleur/les gaz**

d'échappement peuvent enflammer les matières combustibles et causer un incendie, entraînant la mort ou des blessures graves.

- Éliminer les matières combustibles de l'intérieur du compartiment de la génératrice et de la zone alentour.

**AVERTISSEMENT****Les vapeurs de gaz**

sont extrêmement inflammables et explosives. Un incendie ou une explosion peut causer de graves brûlures ou la mort.

- Ne jamais démarrer et faire tourner le moteur si l'épurateur d'air (si installé) ou le filtre à air (si installé) est déposé.

**AVERTISSEMENT**

Avec la batterie branchée, le groupe électrogène peut démarrer inopinément et entraîner la mort ou des blessures graves.

- Ne pas débrancher le câble négatif (-) au niveau de la batterie tant que l'installation n'est pas terminée.
- Avant d'entretenir le groupe électrogène, l'arrêter et débrancher le câble négatif (-) au niveau de la batterie.

**AVERTISSEMENT**

Tension dangereuse - Un contact avec les lignes électriques peut causer des chocs électriques ou des brûlures, entraînant la mort ou des blessures graves.

- En cas d'utilisation d'équipement de levage ou de treuillage, NE PAS entrer en contact avec des lignes électriques.
- NE PAS lever ou déplacer le groupe électrogène sans assistance.

**AVERTISSEMENT**

Le propane et le gaz naturel sont extrêmement inflammables et explosifs et peuvent causer des brûlures, des incendies ou des explosions, entraînant la mort ou des blessures graves.

- L'installation doit être effectuée par un professionnel habilité.
- Installer le circuit d'alimentation en carburant conformément à NFPA 37 et d'autres codes en vigueur en matière de gaz combustibles.
- Avant de mettre le groupe électrogène en service, les conduites du circuit de carburant doivent être purgées correctement et leur étanchéité doit être testée.
- AUCUNE fuite n'est permise.
- NE PAS faire tourner le moteur s'il y a une odeur de carburant.
- Le groupe électrogène comporte un robinet d'arrêt automatique de gaz combustible.
- NE PAS utiliser l'équipement si le robinet d'arrêt est manquant ou inopérant.
- Le gaz de pétrole liquéfié (GPL) est plus lourd que l'air et se dépose dans les dépressions.
- Le gaz naturel est plus léger que l'air et s'accumule en hauteur.
- La moindre étincelle peut enflammer ces carburants et causer une explosion.
- NE PAS allumer de cigarette et NE PAS fumer.
- Examiner régulièrement le circuit de carburant.

**AVERTISSEMENT**  La tension du groupe électrogène peut causer des chocs électriques ou des brûlures, entraînant la mort ou des blessures graves.

- **NE PAS autoriser des personnes non qualifiées à utiliser ou entretenir le groupe électrogène.**

**AVERTISSEMENT**   Une étincelle involontaire pourrait causer un incendie ou un choc électrique, entraînant la mort ou de graves blessures.

#### POUR RÉGLER OU RÉPARER LE GROUPE ÉLECTROGÈNE -

- **Débrancher le câble de la bougie et le placer là il ne risque pas d'entrer en contact avec la bougie.**

#### POUR TESTER L'ÉTINCELLE DU MOTEUR -

- **Utiliser un testeur de bougies homologué.**
- **NE PAS vérifier l'étincelle si la bougie a été déposée.**

#### NOTE

*Un traitement incorrect du groupe électrogène peut l'endommager et réduire sa durée de vie.*

- Utiliser le groupe électrogène exclusivement pour les usages prévus.
- Pour toute question sur les usages prévus, contacter le concessionnaire agréé.
- Utiliser le groupe électrogène uniquement sur des surfaces planes.
- Une circulation adéquate et sans restrictions de l'air de refroidissement et d'aération est essentielle au fonctionnement correct du groupe électrogène.
- Les panneaux/portes d'accès doivent être installés chaque fois que le groupe fonctionne.
- **NE PAS** exposer le groupe électrogène à l'humidité, à la poussière, à la saleté ou à des vapeurs corrosives excessives.
- Toujours rester vigilant pendant les interventions sur cet équipement. Ne jamais travailler sur cet équipement en état de fatigue physique ou mentale.
- **NE PAS** introduire d'objets à travers les fentes de refroidissement.
- **NE PAS** utiliser le groupe électrogène ni aucune de ses parties comme marchepied. Monter sur le groupe peut causer des contraintes et casser des pièces. Ces dommages peuvent entraîner des conditions de fonctionnement dangereuses dues à des fuites de gaz d'échappement, de carburant ou d'huile, etc.
- Arrêter le groupe électrogène si :
  - o L'énergie électrique est perdue.
  - o L'équipement émet des étincelles, de la fumée ou des flammes.
  - o Le groupe vibre excessivement ou fait des bruits inhabituels.

## Informations à l'utilisateur de la FCC Partie 15

Selon la partie 15.21 des Règlements de la FCC, tout changement ou toute modification du produit qui n'a pas été expressément approuvé par Briggs & Stratton pourrait annuler le droit de l'utilisateur à faire fonctionner l'équipement.

Cet appareil est conforme à la partie 15 des Règlements de la FCC.

L'utilisation de cet appareil est soumise aux deux conditions suivantes :

1. Cet appareil ne doit pas causer d'interférences nuisibles, et
2. Cet appareil doit accepter toute interférence reçue, y compris les interférences qui peuvent provoquer un fonctionnement non désiré.

Cet équipement a été testé et déclaré conforme aux limites d'un appareil numérique de Classe B, selon la partie 15 des Règlements de la FCC. Ces limites ont pour but de fournir une protection raisonnable contre les interférences nuisibles dans une installation résidentielle.

Cet équipement génère, utilise et peut émettre de l'énergie radioélectrique et, s'il n'est pas installé et utilisé conformément aux instructions, il peut causer des interférences nuisibles aux communications radio. Toutefois, il n'y a aucune garantie que ces interférences ne puissent survenir dans une installation donnée. Pour déterminer si l'équipement cause des interférences nuisibles à la réception de signaux de radio ou de télévision, éteindre et allumer l'équipement. Si l'utilisateur constate des interférences nuisibles, il doit essayer de corriger ces interférences par une ou plusieurs des mesures suivantes :

- Réorienter ou déplacer l'antenne de réception.
- Augmenter la distance entre l'équipement et le récepteur.
- Brancher l'équipement dans une prise d'un circuit, en s'assurant que le circuit n'est pas le même que celui utilisé par le récepteur.
- Consulter le concessionnaire ou un technicien de radio/télévision expérimenté pour toute assistance.

## INFORMATIONS GÉNÉRALES

Pour la plupart des applications, le *Manuel d'installation et d'utilisation* contient toutes les informations nécessaires pour installer, utiliser et entretenir correctement le groupe électrogène. Briggs & Stratton a fait tout son possible pour garantir que les informations figurant dans ce manuel sont exactes et valides. Cependant Briggs & Stratton se réserve le droit de modifier, d'altérer ou d'améliorer le produit et ce document à tout moment sans préavis.

## Description de l'équipement

### NOTE

Ce produit n'est PAS considéré comme un système de secours d'urgence ou un système de secours requis par la loi, tel que défini par NFPA 70 (NEC).

- Les groupes électrogènes de secours d'urgence sont destinés à la fourniture automatique d'éclairage et/ou d'électricité à des zones et des équipements désignés en cas de panne de l'alimentation normale. Les systèmes de secours d'urgence peuvent aussi alimenter des dispositifs tels que la ventilation, là où elle est essentielle au maintien en vie, lorsqu'une interruption de l'alimentation électrique normale entraînerait de graves dangers pour la vie, la sécurité ou la santé.
- Les groupes électrogènes de secours requis par la loi sont destinés à la fourniture automatique d'électricité à des charges sélectionnées en cas de panne de la source d'alimentation normale (qui peut créer des dangers, empêcher des sauvetages ou entraver des opérations de lutte contre l'incendie).

## Responsabilités de l'installateur

- Lire et respecter les consignes de sécurité.
- Installer exclusivement un inverseur de source homologué qui est compatible avec le groupe électrogène.
- Lire et respecter les instructions de ce *Manuel d'installation et d'utilisation*.
- L'installation doit être strictement conforme à tous les codes, les normes industrielles, les lois et les réglementations en vigueur.
- Prévoir un espace suffisant sur tous les côtés du groupe électrogène pour la maintenance et l'entretien.
- Décider de l'emplacement du groupe électrogène avec le propriétaire.
- Remettre le *Manuel d'utilisation rapide* (référence 80103363) au propriétaire une fois l'installation terminée.

## Responsabilités du propriétaire

- Lire et respecter les instructions de ce *Manuel d'installation et d'utilisation*.
- Suivre un programme régulier pour la maintenance et l'utilisation du groupe électrogène, selon les spécifications du manuel.
- Des détecteurs de monoxyde de carbone **doivent** être installés à l'intérieur et entretenus conformément aux instructions et aux recommandations du fabricant. Les détecteurs de fumée ne détectent pas le monoxyde de carbone.
- Des détecteurs de fumée **doivent** être installés à l'intérieur et entretenus conformément aux instructions et aux recommandations du fabricant. Les détecteurs de monoxyde de carbone ne détectent pas la fumée.



## Facteurs à prendre en compte pour l'installation

Les illustrations figurant dans ce manuel décrivent des circonstances habituelles. Elles ont pour but de familiariser l'utilisateur avec les options d'installation disponibles pour le groupe électrogène.

Toujours tenir compte des facteurs d'installation tels que les réglementations fédérales et locales, l'aspect extérieur, les niveaux de bruit, les types de carburant et les distances. Lorsque la distance augmente par rapport au service d'électricité et à l'alimentation de carburant gazeux, et que le nombre de coudes dans l'alimentation de carburant augmente, les installateurs doivent prévoir des compensations pour la tuyauterie et le câblage. Ces compensations sont nécessaires pour se conformer aux réglementations locales et surmonter les chutes de tension électrique et les chutes de pression de carburant gazeux.

## Inspection à la livraison

Éviter les dommages dus à des chutes, des heurts ou des collisions avec le carton d'expédition.

Après avoir enlevé le carton, examiner attentivement le groupe électrogène à la recherche de dommages qui pourraient s'être produits pendant l'expédition.

Si le propriétaire découvre une perte ou un dommage au moment de la livraison, il doit demander à la personne chargée de la livraison de documenter la perte ou le dommage sur la facture de transport et d'apposer sa signature sous la note de perte ou de dommage d'expédition. Si le propriétaire constate une perte ou un dommage après la livraison, il doit séparer le matériel endommagé et contacter le transporteur pour les procédures de réclamation. Les pièces manquantes ou endommagées ne sont pas couvertes par la garantie.

## Contenu d'expédition

### Le groupe électrogène inclut :

- Huile (entièrement synthétique 5W-30)
- LED d'état
- Conduite de carburant flexible
- Raccord de tuyau de carburant
- *Manuel d'utilisation rapide*
- Livret de garantie du produit et de garantie antipollution
- Deux clés d'accès
- Fusible de 15 A de type ATO
- Quatre bouchons pour les trous de levage
- Peinture de retouche

### Le groupe électrogène n'inclut pas (à fournir par le propriétaire) :

- Détecteur(s) de monoxyde de carbone
- Détecteur(s) de fumée
- Batterie de démarrage
- Câble et conduit de raccordement
- Robinets et tuyauterie d'alimentation de carburant
- Grues, sangles de levage, chaînes ou câbles
- Deux longueurs de 60 pouces (152 cm) de tuyau en acier SCH-40 de 3/4 pouce (1,90 cm) nominal minimum (**pas** de conduit)
- Tournevis dynamométrique, plage de 5-50 pouces-livres
- Multimètre

## POSITIONNEMENT DU GROUPE ÉLECTROGÈNE

Avant d'installer le groupe électrogène, consulter le propriétaire de la maison et lui communiquer les exigences suivantes, qui doivent être respectées avant d'effectuer l'installation. Deux problèmes de sécurité d'égale importance sont l'intoxication au monoxyde de carbone et les incendies. L'installateur doit également respecter de nombreuses directives relatives à l'emplacement avant d'effectuer l'installation.



**AVERTISSEMENT**



**Les gaz d'échappement du moteur contiennent du monoxyde de carbone, un gaz toxique qui peut entraîner la mort ou des blessures graves. Il est inodore, invisible et sans saveur pour les personnes et les animaux. Même si l'on ne sent pas de gaz d'échappement, une exposition au monoxyde de carbone est toujours possible.**

- **Le groupe électrogène doit être utilisé UNIQUEMENT à l'extérieur, dans une zone où les gaz d'échappement mortels ne s'accumulent pas.**
- **Diriger les gaz d'échappement loin des fenêtres, des portes, des bouches d'aération, des événements de soffite, des vides sanitaires, des portes de garage ouvertes ou d'autres ouvertures permettant aux gaz d'échappement de pénétrer à l'intérieur ou d'être aspirés dans un bâtiment ou une structure potentiellement occupé.**
- **Des détecteurs de monoxyde de carbone DOIVENT être installés à l'intérieur et entretenus conformément aux instructions et aux recommandations du fabricant. Les détecteurs de fumée ne détectent pas le monoxyde de carbone.**
- **En cas de sensation de malaise, de somnolence ou de fatigue, ou si le détecteur de monoxyde de carbone retentit pendant l'utilisation du groupe électrogène, aller immédiatement à l'air frais. Appeler les services d'urgence. Il s'agit probablement d'un empoisonnement au monoxyde de carbone.**

- **NE PAS** utiliser cet appareil à l'intérieur de maisons, de garages, de sous-sols, de vides sanitaires, de hangars ou d'autres espaces partiellement fermés, même en utilisant un ventilateur ou en ouvrant des portes et des fenêtres pour aérer. Le monoxyde de carbone peut s'accumuler rapidement dans ces espaces et peut stagner plusieurs heures, même après l'arrêt du groupe électrogène.

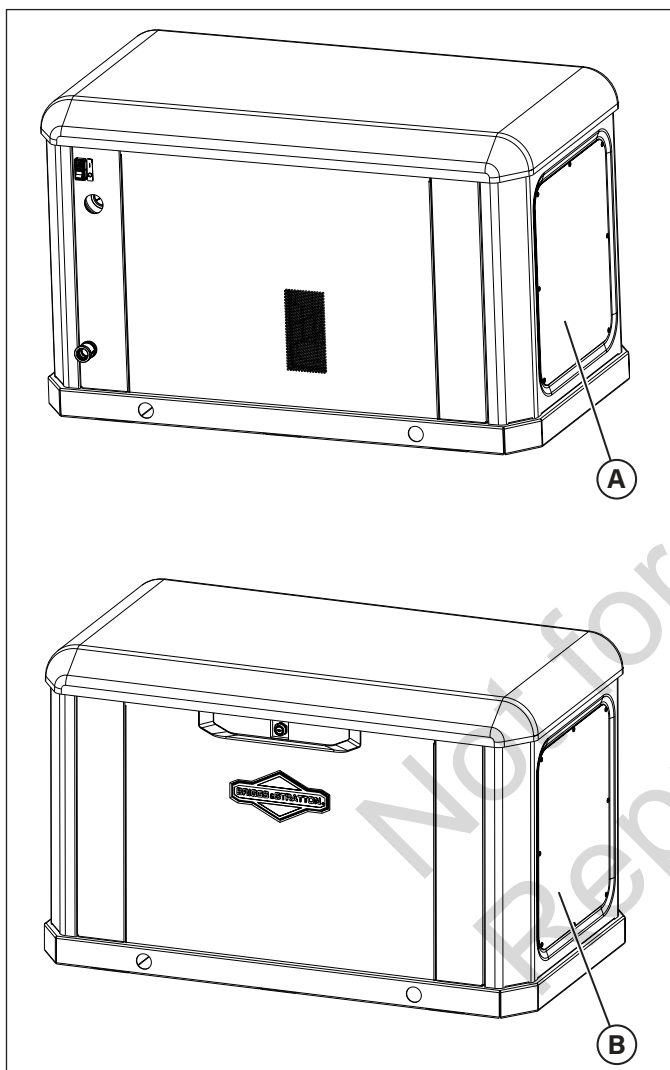


Figure 1

- (A) Côté de sortie d'échappement de l'enveloppe  
 (B) Coté d'entrée d'air de l'enveloppe

## Considérations sur l'emplacement du groupe électrogène

Le lieu d'installation du groupe électrogène à une incidence directe sur :

- La quantité et la taille de la tuyauterie nécessaire pour ravitailler le groupe électrogène
- La quantité et la taille du câblage nécessaire pour commander et raccorder le groupe électrogène
- La sécurité de l'installation concernant les dangers des gaz d'échappement et du monoxyde de carbone, les risques d'incendie, la proximité d'autres services publics et l'exposition aux éléments climatiques

La section Emplacement du groupe électrogène fournit des directives spécifiques. Le propriétaire et l'installateur doivent se concerter pour déterminer comment le site peut influencer les coûts d'installation et la conformité aux réglementations locales et aux normes.

Deux problèmes de sécurité critiques sont l'intoxication au monoxyde de carbone et les incendies.

## Réduction des risques d'intoxication au CO

Des concentrations élevées de monoxyde de carbone (CO) peuvent être mortelles en quelques minutes. Cependant, les effets de faibles concentrations peuvent aussi être mortels. Ce gaz constitue un grave danger pour les êtres humains et les animaux car il est inodore, invisible et sans saveur. Les symptômes en cas d'exposition au CO incluent :

- Yeux qui piquent ou qui pleurent
- Tempes qui élancent
- Difficulté de concentration
- Tintement dans les oreilles
- Maux de tête
- Discours incohérent ou troubles d'élocution
- Rougeurs du visage
- Manque d'attention
- Perte de coordination physique
- Douleurs dans la poitrine
- Somnolence
- Nausée
- Étourdissements
- Vomissements
- Fatigue
- Perte de conscience
- Convulsions

Si vous (ou une personne à proximité) souffrez d'un des symptômes ci-dessus, aller immédiatement à l'air frais et appeler l'aide médicale d'urgence pour déterminer s'il s'agit d'une intoxication au monoxyde de carbone. Si le détecteur de monoxyde de carbone retentit pendant l'utilisation du groupe électrogène, aller à l'air frais (même si aucun des symptômes mentionnés plus haut n'est ressenti).

## Détecteurs de monoxyde de carbone

*Remarque :* L'installation de détecteurs de CO à l'intérieur est la seule façon d'identifier le CO. Les détecteurs de fumée courants ne détectent pas le CO et n'alertent pas les occupants de sa présence.

Un détecteur de CO est un dispositif électronique qui détecte des niveaux dangereux de CO. En cas d'accumulation de CO, le détecteur alerte les occupants par le déclenchement d'une alarme et le clignotement d'un voyant.

Dans de nombreux états, la loi exige d'installer un détecteur de monoxyde de carbone (CO) en état de marche dans une maison. Le(s) détecteur(s) de monoxyde de carbone **doit/doivent** être installé(s) à l'intérieur et entretenu(s) conformément aux instructions et aux recommandations du fabricant.

Contactez le service local d'inspection des bâtiments pour connaître les exigences relatives à l'utilisation de détecteurs de CO. Consultez le National Fire Alarm and Signaling Code (NFPA) 72 et la Section R315 du Code résidentiel international (ICC) pour plus de détails.

## Points d'entrée potentiels de CO

Directives d'utilisation :

*Remarque :* Utiliser ce produit **uniquement** à l'extérieur et dans une zone ne permettant pas l'accumulation de ce gaz d'échappement mortel.

Ne pas utiliser ce produit à l'intérieur de maisons, de garages, de sous-sols, de vides sanitaires, de hangars, sous une plateforme ou d'autres zones partiellement fermées, et se rappeler que l'utilisation de ventilateurs et l'ouverture des portes de ces endroits ne garantit pas forcément une aération adéquate. Le monoxyde de carbone peut s'accumuler rapidement dans ces espaces interdits et il peut rester dans l'air pendant plusieurs heures après l'arrêt du groupe électrogène.

Directives d'installation :

Suivre toutes les illustrations de ce manuel pour positionner l'enveloppe.

Toujours diriger l'échappement du moteur du groupe électrogène loin des zones occupées. Ne jamais exposer les maisons voisines aux gaz d'échappement du moteur d'un groupe électrogène de secours pendant la procédure d'installation.

Ne jamais placer le groupe électrogène de secours dans une zone où des feuilles ou des débris peuvent s'accumuler.

Les gaz d'échappement du groupe électrogène peuvent entrer par les fenêtres, les portes et autres ouvertures d'une structure. Se rappeler que les gaz d'échappement et le CO peuvent s'infiltrer dans une structure par les ouvertures les plus petites.

## Protection de la structure

Vérifier la structure pour s'assurer que l'étanchéité et le calfeutrage restent suffisants pour éviter des fuites d'air vers l'intérieur ou l'extérieur. Examiner la structure à la recherche de vides, de fissures ou d'ouvertures autour des fenêtres, des portes, des soffites, des tuyaux et des événements, car ces zones peuvent laisser entrer les gaz d'échappement et le CO dans la structure.

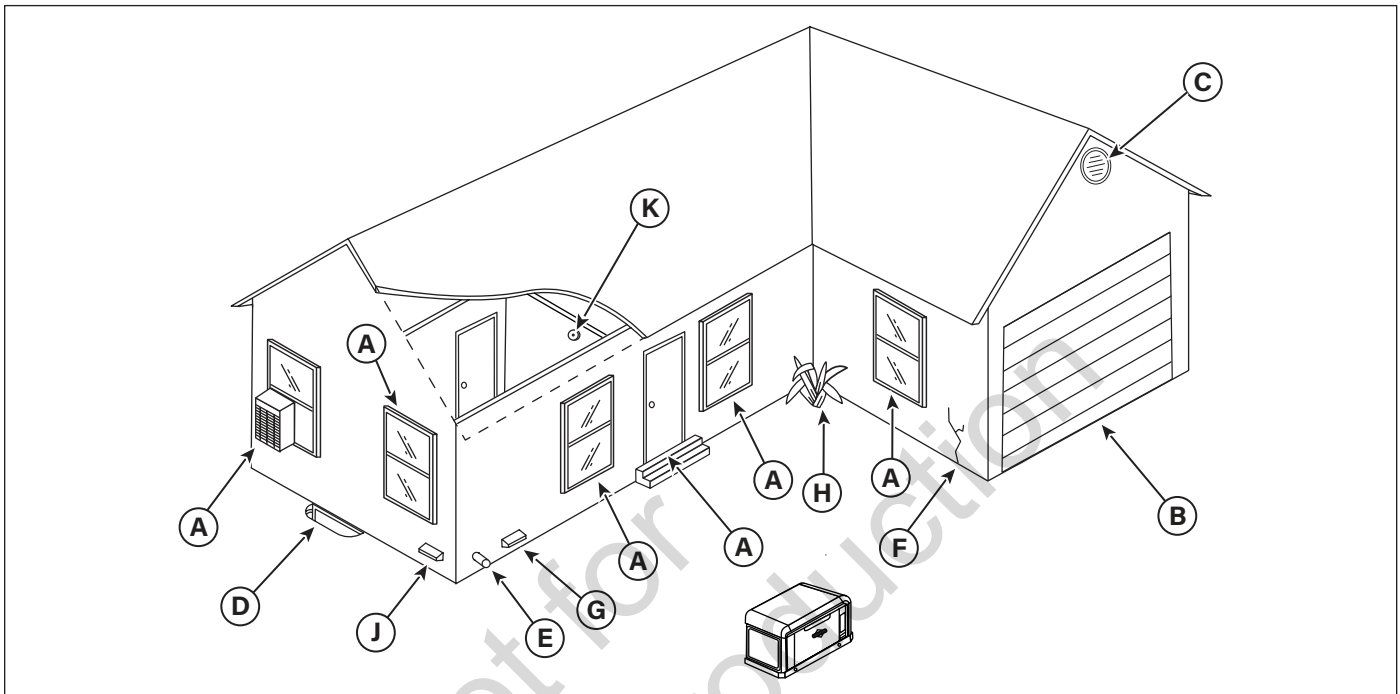


Figure 2



Le tableau suivant fournit quelques exemples de points d'entrée potentiels de CO.

EMPLACEMENT	POINT D'ENTRÉE	EXPLICATION
A	Fenêtres et portes	Les ouvertures faisant partie de l'architecture d'une structure peuvent laisser entrer l'air frais et le CO dans la structure, surtout quand elle est ouverte.
B	Porte de garage	Une porte de garage ouverte ou mal scellée peut laisser entrer le CO dans un garage.
C	Évent d'entretoit	Les gaz d'échappement du groupe électrogène peuvent entrer par les événements d'entretoit et les événements de soffites, les vides sanitaires et les faitages ou les toits.
D	Soupiraux	Les soupiraux ou trappes qui assurent l'aération du niveau inférieur de la structure laissent aussi le gaz CO entrer dans la structure.
E	Évent d'admission ou d'évacuation de chaudière	Les prises d'air et les tuyaux d'évacuation des chaudières sont des points d'entrée courants du gaz CO.
F	Fissures murales	Toute fissure dans les murs d'une structure, y compris les fondations et le mortier, et tous les espaces autour de fenêtres, de portes et de tuyaux peuvent laisser entrer le CO.
G	Évent de sèche-linge	L'évent d'évacuation des sèche-linges laisse parfois entrer le CO dans la structure.
H	Restrictions de circulation d'air	Les zones comportant des angles de structures et une végétation dense limitent la circulation de l'air et recueillent les gaz d'échappement.
J	Système d'aération d'appoint	<i>Remarque</i> : Maintenir toutes les ouvertures d'entrée d'air extérieur, mécaniques et à gravité, destinés aux systèmes d'alimentation d'air CVC, horizontalement et à 10 pi (3,0488 m) de l'enveloppe du groupe électrogène. Consulter la section 401 du Code mécanique ICC pour tout détail sur les exigences.
K	Détecteur(s) de monoxyde de carbone	<i>Remarque</i> : L'installation de détecteurs de CO en état de marche à l'intérieur est la seule façon d'identifier le CO. Les détecteurs de fumée courants ne détectent pas le CO et n'alertent pas les occupants de sa présence.

## Réduction des risques d'incendie

Pour prévenir les incendies, le groupe électrogène doit être installé à une distance de sécurité de toutes les matières combustibles. Les composants du moteur, de l'alternateur et de l'échappement du groupe peuvent devenir très chauds pendant le fonctionnement. Réduire les risques d'incendie en assurant une aération et un entretien corrects du groupe, sans fuites de carburant et à l'écart de matières combustibles. Des débris inflammables peuvent aussi s'accumuler à l'intérieur ou à l'extérieur de l'enveloppe du groupe électrogène et risquent de s'enflammer et de causer un incendie.

Les normes fédérales et internationales décrivent les distances de sécurité minimum autour et au-dessus de l'enveloppe du groupe électrogène.

## Exigences de distance

Le propriétaire doit maintenir des dégagements minimum autour de l'enveloppe du groupe électrogène. Ces dégagements sont essentiellement nécessaires à la prévention des incendies, mais ils fournissent également un espace suffisant pour les interventions de maintenance, telles que la dépose des panneaux avant et arrière du groupe.

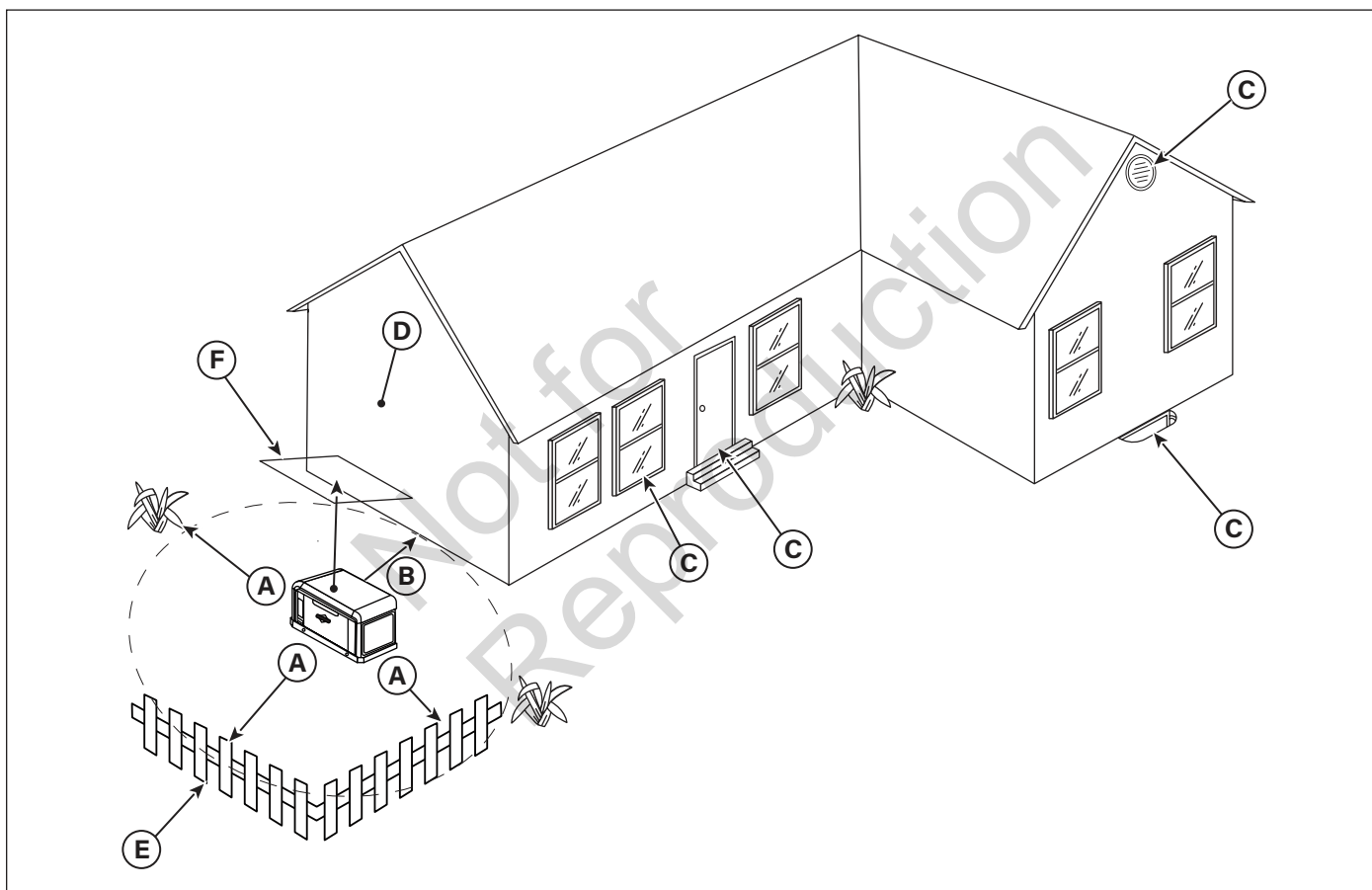


Figure 3

EMPLACEMENT	ÉLÉMENT	EXPLICATION
A	Dégagement à l'avant et à l'arrière	Maintenir un dégagement minimum de 3 pieds (0,91 m) à l'avant et sur les côtés du groupe électrogène. Maintenir les arbustes, les buissons, les plantes et les arbres à cette même distance minimum du groupe et ne jamais utiliser de végétation pour cacher le groupe.
B	Dégagement à l'arrière	Étant donné que les raccordements électriques et de carburant se trouvent à l'arrière, maintenir une distance minimum de 18 pouces (45,70 cm), déterminée par un laboratoire d'essai indépendant, sauf indication contraire des réglementations de l'état.
C	Fenêtres, événements et ouvertures	Maintenir toutes les fenêtres, portes, événements, margelles ou ouvertures dans le mur loin de l'emplacement du groupe électrogène. Voir la section Protection de la structure dans ce manuel.
D	Mur existant	Maintenir le groupe électrogène au moins à 18 pouces (457 mm) de murs existants.
E	Clôture amovible	Maintenir les clôtures amovibles au moins à 3 pieds (0,91 m) de l'avant du groupe électrogène. Les clôtures amovibles incluent les clôtures brise-vue, les panneaux de clôture et les barrières provisoires sans semelles.
F	Dégagement en hauteur	Maintenir un dégagement minimum de 5 pieds (1,52 m) par rapport à toutes les structures, surplombs et saillies d'un mur.
G	Maintenance et entretien	Prévoir un dégagement suffisant pour effectuer la maintenance régulière, telle que l'entretien du moteur et le remplacement de la batterie. Ne jamais utiliser d'arbustes, de buissons, d'arbres ou de plantes pour cacher le groupe électrogène.

## Normes fédérales et internationales

L'installation du groupe électrogène doit respecter rigoureusement les normes ICC, IFGC, NFPA 37, NFPA 54, NFPA 58 et NFPA 70.

National Fire Protection Association (NFPA) 37 : Cette norme concerne l'installation et l'utilisation de moteurs à combustion fixes. Ses exigences décrivent le maintien d'un groupe électrogène capoté à une distance spécifique d'une structure ou d'un mur. Cette norme exige également, lors de l'installation d'un groupe électrogène, de prévoir un espace suffisant pour effectuer la maintenance et les réparations et un espace suffisant pour l'intervention des premiers intervenants.

NFPA 37, Section 4.1.4, Moteurs situés à l'extérieur : Cette exigence précise que les moteurs et leurs enveloppes étanches (si prévues) installés à l'extérieur doivent rester au moins à 5 pieds (1,52 m) d'ouvertures dans des murs et au moins à 5 pieds (1,52 m) de structures ayant des parois combustibles. La norme n'exige pas de séparation minimum dans les conditions suivantes :

1. La paroi adjacente de la structure a un degré de résistance au feu d'au moins une heure.
2. Si un essai de résistance au feu comportant la consommation des combustibles disponibles, à l'intérieur du moteur ou de son enveloppe étanche (si prévue), démontre qu'un feu démarré dans le moteur ou son enveloppe étanche n'enflammera pas les structures combustibles.

## Annexe A—Matériel explicatif

A4.1.4 (2) : Cette exigence signifie que la preuve de conformité implique l'exécution d'un essai de résistance au feu en vraie grandeur ou le respect des procédures de calcul.

Cette exigence conclut qu'en raison de l'espace limité fréquemment disponible pour l'installation du groupe électrogène, l'exception (2) est bénéfique pour de nombreuses installations résidentielles et commerciales. Le fabricant a passé un contrat avec un laboratoire d'essai indépendant pour effectuer des essais de résistance au feu en vraie grandeur.

L'objectif final de l'essai de résistance au feu était de déterminer le pire scénario de feu dans le groupe électrogène et de calculer le risque d'inflammation des éléments situés autour de l'enveloppe du moteur à des distances spécifiques. Noter que l'enveloppe est réalisée en matériaux non combustibles. Les résultats des essais du laboratoire indépendant ont montré qu'un incendie se déclarant à l'intérieur de l'enveloppe du groupe électrogène ne poserait pas de risques d'inflammation aux matières combustibles ou aux structures à proximité pendant au moins une heure.

En associant les résultats de ces essais en vraie grandeur aux exigences de NFPA 37, Section 4.1.4, les directives pour l'installation des groupes électrogènes mentionnés précédemment changent à 18 pouces (45,72 cm) entre l'arrière du groupe électrogène et un mur fixe ou un bâtiment. Pour maintenir un dégagement assurant une maintenance et une circulation d'air correctes, la zone située au-dessus du groupe électrogène doit être au moins à 5 pieds (1,52 m), avec un minimum de 3 pieds (0,91 m) à l'avant et sur les côtés de l'enveloppe. Maintenir les arbres, les arbustes, les plantes et les buissons en respectant les distances exigées pour éviter d'obstruer la circulation de l'air. Noter que les gaz d'échappement émis par le groupe électrogène pourraient empêcher la croissance des plantes. Voir la Figure 3 pour plus de détails.

## Autres directives générales sur l'emplacement

- Installer le groupe électrogène de secours dans un lieu préparé, plat et disposant d'un système d'évacuation d'eau.
- Installer le groupe électrogène de secours dans un lieu où la décharge de la pompe de vidange, les tuyaux de descente d'eau pluviale, l'eau de ruissellement du toit, l'irrigation du terrain ou les systèmes d'arrosage ne risquent pas d'inonder le groupe ou d'atteindre son enveloppe et de pénétrer dans des ouvertures d'entrée ou de sortie d'air.
- Installer le groupe électrogène de secours là où il ne risque pas de compromettre ou d'obstruer des services (y compris des services recouverts, cachés ou souterrains) tels que : téléphone, électricité, carburant (gaz naturel ou GPL), irrigation, climatisation, câbles, fosse septique, égouts, puits, etc.
- Installer le groupe électrogène de secours là où les feuilles, l'herbe, la neige et autres matériaux ne risquent pas d'obstruer les ouvertures d'entrée ou de sortie d'air. Construire un brise-vent pour protéger le groupe électrogène si la zone est exposée à des vents dominants et tourbillonnants.

## INSTALLATION

### Levage du groupe électrogène

**⚠ AVERTISSEMENT**  **Tension dangereuse - Un contact avec les lignes électriques peut causer des chocs électriques ou des brûlures, entraînant la mort ou des blessures graves.**

- **Si un équipement de levage ou de treuillage est utilisé, NE PAS entrer en contact avec les lignes électriques.**
- **NE PAS soulever ou déplacer le groupe électrogène sans assistance.**

Des outils et des équipements appropriés doivent être utilisés par du personnel qualifié dans toutes les phases de manutention et de déplacement du groupe électrogène. Le poids approximatif du groupe électrogène est indiqué dans la section Spécifications du groupe électrogène.

Utiliser les trous de levage (A) situés dans la base du groupe électrogène pour le soulever sur la dalle de béton. Soulever le groupe électrogène conformément aux exigences de l'Agence pour la Santé et la Sécurité au Travail (OSHA) ou aux réglementations locales en matière de levage. Retoucher la peinture écaillée avec la peinture de retouche fournie.

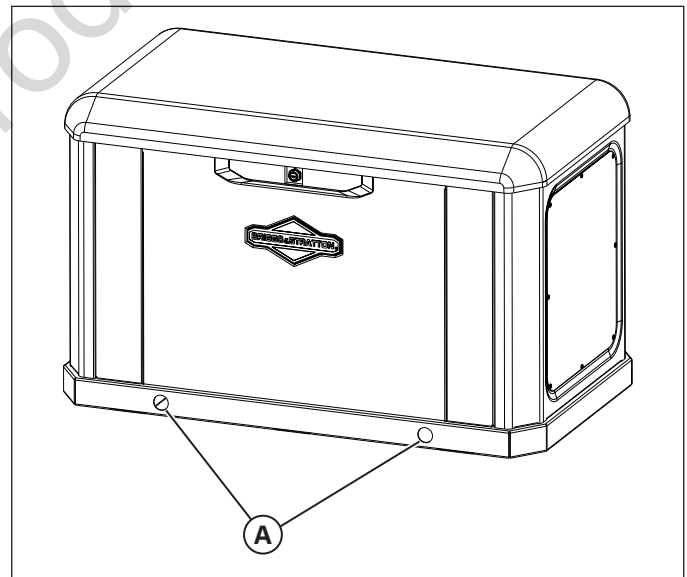


Figure 4

## Kit basses températures

Si le groupe électrogène est utilisé à des températures inférieures à 30 °F (-1 °C), Briggs & Stratton **recommande fortement** à l'installateur d'installer un kit basses températures.

Kit réchauffeur de carter d'huile, référence 6840-00, comprenant :

- Réchauffeur de carter d'huile
- Supports d'installation
- Quincaillerie
- Faisceau

Kit réchauffeur de régulateur de carburant, référence 6845-00, comprenant :

- Réchauffeur de régulateur
- Support de déflecteur
- Faisceau

Kit réchauffeur de batterie, référence 6869-00, comprenant :

- Réchauffeur de batterie
- Faisceau

Se procurer ces éléments auprès du concessionnaire local.

Pour plus d'informations, appeler le **800-732-2989** entre 8:00 et 17:00 HCN.

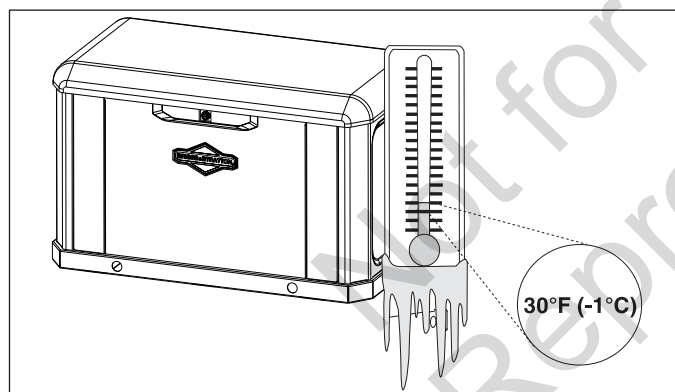


Figure 5

## Ancrage et résistance au vent

### Ancrage du groupe électrogène dans une dalle de béton coulée ou existante

Pour obtenir la résistance au vent prescrite, le groupe électrogène doit être installé en stricte conformité avec ce *Manuel d'installation et d'utilisation*. Les composants du produit doivent être réalisés dans les matériaux spécifiés et toutes les vis doivent être installées conformément aux dispositions applicables et aux instructions d'installation publiées par le fabricant de l'ancrage.

La dalle de béton doit répondre aux exigences ci-dessous et le groupe électrogène doit être ancré avec l'un des types d'ancrage suivants.

## Types d'ancrage

1. Quantité (4) Tapcon grand diamètre ITW Red Head diam. 3/8" (LTD) avec encastrement de 1-1/2", bord de béton de 2" min., et espacement de 6" min. par rapport à l'ancrage en béton voisin. Si l'ancrage n'a pas de rondelle intégrée de diam. ext. 0,812" min., utiliser (1) rondelle de diam. ext. 0,812" min. par ancrage.
2. Quantité (4) Vis à boulon DeWalt de diam. 3/8" + encastrement de 1-1/2", bord de béton de 4" min., et espacement de 6" min. par rapport à l'ancrage en béton voisin. Si l'ancrage n'a pas de rondelle intégrée de diam. ext. 0,812" min., utiliser (1) rondelle de diam. ext. 0,812" min. par ancrage.
3. Quantité (4) Boulon 3/8"-16 SAE Gr. 2 min. ou SS avec rondelle de diam. ext. 0,812" min. Assurer un engagement du filetage de 1/2" min. sauf indication contraire du fabricant de boulon et/ou d'insert.

Il y a quatre emplacements de trous de 7/16 pouces (A) dans la base du groupe électrogène, destinés à l'ancrage du groupe.

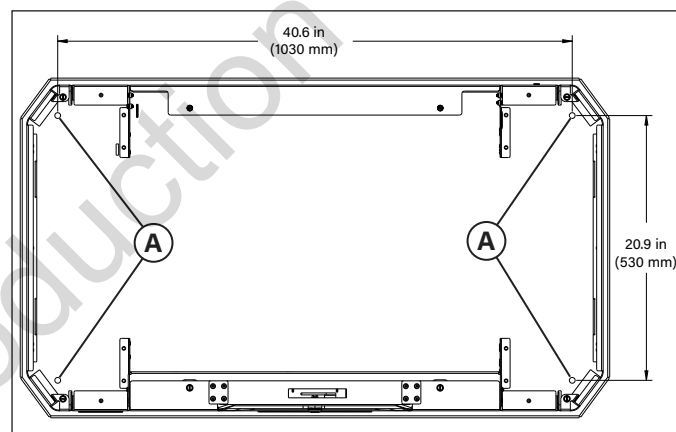


Figure 6

## Types de dalle de béton

RÉSISTANCE AU VENT MPH	TYPE D'ANCRAGE	MODÈLE DE DALLE	DIMENSIONS DE LA DALLE			SPÉCIFICATIONS DU BÉTON
			LARGEUR	LONGUEUR	ÉPAISSEUR	
Jusqu'à 186 (au niveau du sol)	3	Préfabriqué (contacter le concessionnaire)	37 in (940 mm)	55 in (1397 mm)	4 in (102 mm)	3000 psi (20,7 MPa)
Jusqu'à 186 (au niveau du sol)	1 ou 2	Coulé	37 in (940 mm)	55 in (1397 mm)	4 in (102 mm)	3000 psi (20,7 MPa)

Se procurer ces éléments auprès du concessionnaire local.

### NOTE

Sauf si des réglementations locales ou nationales l'imposent, ou si nécessaire pour obtenir la résistance au vent, une dalle de béton n'est pas nécessaire.

## Emplacements des entrées électriques et d'arrivée de carburant

Les emplacements du raccord d'arrivée de carburant N.P.T. de 3/4 pouces (A) et de l'entrée électrique (B) sont illustrés dans la .

Une débouchure de 1,73 pouces (44 mm) est prévue pour l'entrée électrique. S'assurer que le(s) conduit(s) installé(s) entre(nt) dans le groupe dans la zone (C) indiquée dans le plan ci-dessous, pour qu'ils entrent correctement dans le boîtier électrique et n'interfèrent pas avec le toit complètement ouvert.

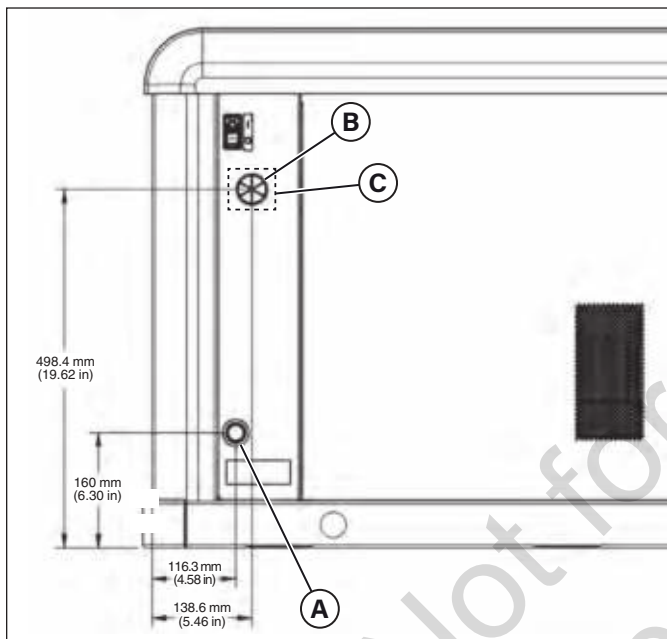


Figure 7

## Panneaux d'accès

L'enveloppe du groupe électrogène possède plusieurs panneaux d'accès, dans les positions illustrées.

Les panneaux d'accès et les composants situés derrière eux sont indiqués ci-dessous :

- (A) Toit (contrôleur, filtre à air, jauge d'huile et disjoncteur)
- (B) Panneau d'accès avant (vidange d'huile, filtre à huile, batterie)
- (C) Panneau latéral, côté contrôleur (couvercle de câblage du boîtier de commande, régulateur de carburant, sélecteur de carburant, plaque signalétique du groupe électrogène)
- (D) Panneau latéral, côté échappement (ventilateur d'alternateur)
- (E) Panneau d'accès arrière (démarreur, relais de démarreur)
- (F) Couvercle de câblage du boîtier de commande (câblage sur place, câblage de commande)

Chaque groupe électrogène est expédié avec un jeu de clés identiques fixées au solénoïde de carburant.

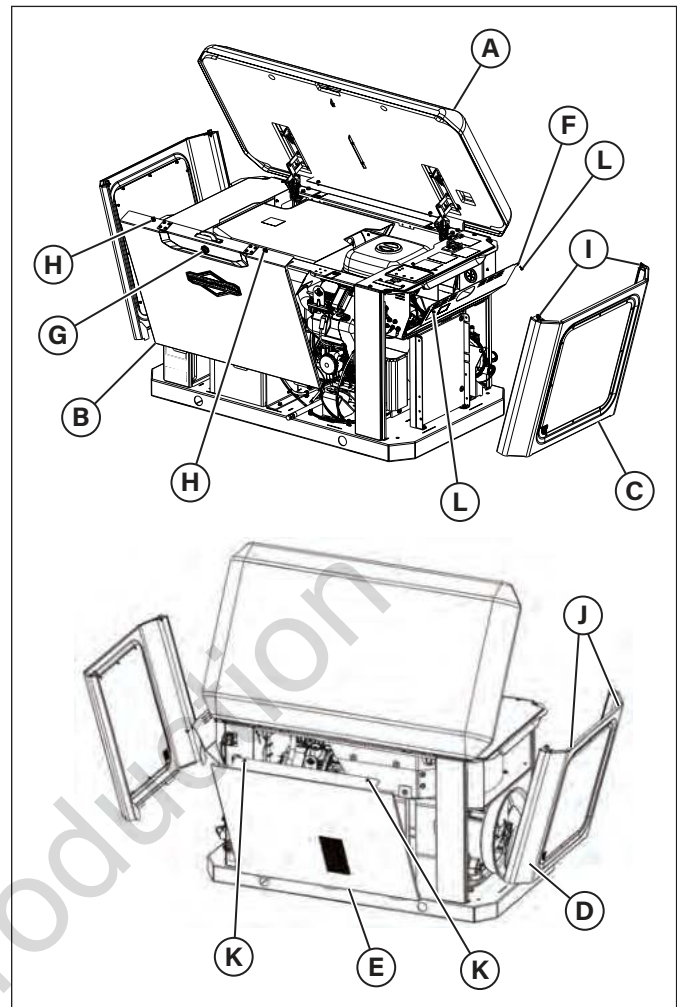


Figure 8

### Ouverture du toit (A) :

1. Insérer la clé dans la serrure (G) du panneau avant (B). Appuyer doucement sur le toit au-dessus de la serrure pour tourner la clé plus facilement. Tourner la clé d'un quart de tour dans le sens horaire.
2. Soulever le toit (A) en position ouverte.

### Dépose du panneau avant (B) :

1. Desserrer les deux fixations autobloquantes (H) qui fixent le panneau au groupe.
2. Soulever le panneau pour le séparer du groupe.

### Fixation du panneau avant (B) :

1. Placer le panneau dans le groupe en alignant les languettes du panneau avec les fentes situés sur la base.
2. Serrer les deux fixations autobloquantes (H) qui fixent le panneau au groupe.

**Dépose du panneau latéral, côté contrôleur (C) :**

1. Desserrer les deux fixations autobloquantes (I) qui fixent le panneau latéral au groupe.
2. Soulever le panneau latéral pour le séparer du groupe.

**Fixation du panneau latéral (C) :**

1. Placer le panneau latéral dans le groupe en alignant les languettes du couvercle dans les fentes situées sur la base.
2. Serrer les deux fixations autobloquantes (I) qui fixent le panneau au groupe.

**Dépose du panneau latéral, côté échappement (D) :**

1. Desserrer les deux fixations autobloquantes (J) qui fixent le panneau latéral au groupe.
2. Soulever le panneau latéral pour le séparer du groupe.

**Fixation du panneau latéral, côté échappement (D) :**

1. Placer le panneau latéral dans le groupe en alignant les languettes du couvercle dans les fentes situées sur la base.
2. Serrer les deux fixations autobloquantes (J) qui fixent le panneau au groupe.

**Dépose du panneau arrière (E) :**

1. Utiliser un tournevis cruciforme pour desserrer les deux fixations autobloquantes (K) qui fixent le panneau au groupe.
2. Utiliser un tournevis à lame standard pour soulever doucement la lèvre du panneau arrière hors du rail arrière.
3. Incliner le panneau arrière vers l'arrière sous le toit (A).
4. Aller à l'arrière du groupe et soulever le panneau arrière pour le dégager.

**Fixation du panneau arrière (E) :**

1. Aller à l'arrière du groupe et placer le panneau arrière dans le groupe en alignant les languettes du panneau dans les encoches situées sur la base.
2. Incliner le panneau arrière vers l'avant sous le toit (A).
3. Depuis l'avant ou le côté du groupe, aligner les fixations (K) et les serrer avec un tournevis cruciforme.

**Dépose du couvercle de câblage du boîtier de commande (F) :**

1. Retirer les deux fixations (L) qui fixent le couvercle de câblage du boîtier de commande au boîtier de commande.
2. Incliner le couvercle de câblage du boîtier de commande vers le bas pour accéder au câblage sur place et au câblage de commande.

**Fixation du couvercle de câblage du boîtier de commande (F) :**

1. Incliner le couvercle de câblage du boîtier de commande vers le haut.
2. Fixer le couvercle de câblage du boîtier de commande avec les deux fixations (L).

**Plan d'installation du circuit de carburant**

**AVERTISSEMENT**   **Le propane et le gaz naturel sont extrêmement inflammables et explosifs et peuvent causer des brûlures, des incendies ou des explosions, entraînant la mort ou des blessures graves.**

- L'installation doit être effectuée par un professionnel habilité.
- Installer le circuit d'alimentation en carburant conformément à NFPA 37 et d'autres codes en vigueur en matière de gaz combustibles.
- Avant de mettre le groupe électrogène en service, purger correctement et tester l'étanchéité des conduites du circuit de carburant.
- AUCUNE fuite n'est permise.
- NE PAS faire tourner le moteur s'il y a une odeur de carburant.

**NOTE**

NE PAS installer la conduite de carburant flexible fournie sous la terre ou en contact avec le sol.

- Maintenir l'ensemble de la conduite de carburant flexible visible pour faciliter les inspections périodiques. Ne pas la cacher ou la faire passer à l'intérieur de murs, de planchers ou de cloisons. Éviter tout contact de la conduite avec ces structures.

Les informations suivantes concernent la phase de planification des installations pour les techniciens spécialisés dans les circuits de carburant gazeux. Toujours respecter les réglementations locales en vigueur en matière de gaz combustible concernant le site d'installation. S'adresser au fournisseur local de carburant ou au commissaire des incendies pour toute question ou problème.

**AVERTISSEMENT**   **Le propane et le gaz naturel sont extrêmement inflammables et explosifs et peuvent causer des brûlures, des incendies ou des explosions, entraînant la mort ou des blessures graves.**

- Le groupe électrogène comporte un robinet d'arrêt automatique de gaz combustible.
- **NE PAS utiliser l'équipement si le robinet d'arrêt est manquant ou inopérant.**
- Le gaz de pétrole liquéfié (GPL) est plus lourd que l'air et se dépose dans les dépressions.
- Le gaz naturel est plus léger que l'air et s'accumule en hauteur.
- La moindre étincelle peut enflammer ces carburants et causer une explosion.
- **NE PAS allumer de cigarette et NE PAS fumer.**

**POUR L'INSTALLATEUR :** Consulter le(s) propriétaire(s) du groupe électrogène et évaluer toutes les considérations techniques relatives aux plans d'installation avant d'appliquer ces directives.

Les règles générales qui suivent concernent la tuyauterie des circuits de carburant gazeux :

- Le matériau de la tuyauterie doit répondre aux réglementations fédérales et locales, avec un montage rigide et une protection contre les vibrations.
- Protéger la tuyauterie contre les dommages physiques, notamment là où elle traverse des parterres de fleurs ou d'arbustes et autres zones cultivées qui peuvent causer des dommages.
- Installer la conduite de carburant flexible fournie (B) entre l'orifice d'arrivée de carburant du groupe électrogène (A) et la tuyauterie rigide pour éviter des contraintes excessives sur le matériau de la tuyauterie, dues à la dilatation et la contraction thermique.
- Prévoir un raccord-union (C) ou un raccord à bride en aval pour permettre la dépose ultérieure.
- Installer un orifice d'essai de manomètre (D) pour les carburants gazeux. Utiliser l'orifice pour installer un manomètre et vérifier si le moteur reçoit la pression de carburant correcte pour le fonctionnement. S'adresser à un centre d'entretien pour obtenir un manomètre numérique ou analogique destiné uniquement aux carburants gazeux (référence 19495). Après avoir terminé les essais initiaux, retirer le manomètre et obturer l'orifice.
- Pour les carburants gazeux seulement : Protéger la tuyauterie contre le gel dans les zones exposées à la formation d'hydrates ou de glace. Pour terminer la tuyauterie rigide, utiliser un décanteur (E) là où le condensat liquide n'est pas susceptible de geler.
- Installer au moins un robinet d'arrêt manuel homologué accessible (F) dans la conduite d'alimentation de carburant à moins de 6 pi (1,8 m) du groupe électrogène.

- Installer un robinet d'arrêt manuel à l'intérieur du bâtiment.
- Augmenter la résistance et la flexibilité des supports et des raccords de tuyauterie dans les zones exposées aux séismes, aux tornades, aux risques d'inondation et aux sols instables.
- S'assurer que la taille de la tuyauterie est suffisante pour maintenir les pressions d'alimentation et le débit requis dans les différentes conditions de charge du groupe électrogène, avec tous les appareils à gaz branchés au circuit de carburant allumés et en fonctionnement.
- Utiliser de la pâte d'étanchéité pour tuyaux ou de la pâte à joint approuvées pour l'utilisation avec du gaz naturel/pétrole liquéfié sur tous les raccords filetés pour réduire les risques de fuite.

### NOTE

Maintenir la pâte d'étanchéité pour filets loin de la tuyauterie de gaz pour éviter d'endommager des composants.

- Purger correctement et vérifier l'étanchéité de la tuyauterie conformément aux réglementations et normes en vigueur.

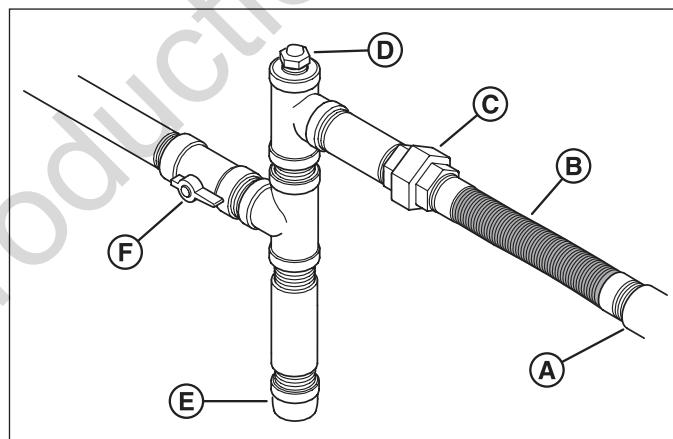


Figure 9

- (A) Arrivée de carburant du groupe électrogène
- (B) Conduite de carburant flexible
- (C) Raccord-union
- (D) Orifice d'essai du manomètre
- (E) Décanteur
- (F) Robinet d'arrêt manuel



## Consommation de carburant

Le tableau suivant indique les exigences d'alimentation en carburant estimée à demi-charge et à pleine charge pour le gaz naturel et le gaz de pétrole liquéfié.

### Gaz naturel

		17 kW	20 kW	26 kW
1/2 charge	BTU/hr	170,000	187,000	206,000
	pi3/hr	170	187	206
Pleine charge	BTU/hr	248,000	260,000	323,000
	pi3/hr	248	260	323

### GPL

		17 kW	20 kW	26 kW
1/2 charge	BTU/hr	185,000	208,000	235,000
	pi3/hr	74	83	94
	gal/hr	2.10	2.30	2.60
Pleine charge	BTU/hr	295,000	338,000	427,000
	pi3/hr	118	135	171
	gal/hr	3.30	3.70	4.70

Propriétés physiques	GPL	Gaz naturel
État atmosphérique normal	Gaz	Gaz
Point d'ébullition (°F)	-44	-259
Valeur de chauffage :		
BTU par gallon (LHV* net)	83,340	63,310
BTU par gallon (brut**)	91,547	
BTU par pied cube (gaz)	2,500	1,000
Densité***	36.39	57.75
Poids†	4.24	2.65

\* Le LHV (pouvoir calorifique inférieur) est l'indice le plus réaliste.

\*\* Le pouvoir calorifique supérieur ne tient pas compte de la perte de chaleur sous forme d'eau pendant la combustion.

\*\*\* La densité est indiquée en « Pieds cubiques de gaz par gallon de liquide ».

† Le poids est indiqué en « Livres par gallon de liquide ».

## Type de carburant

Tenir compte du type de carburant utilisé par le groupe électrogène, car il influence l'ensemble de la procédure d'installation. Le système a été testé et réglé en usine en utilisant du gaz naturel, mais il peut être converti pour l'utilisation de gaz de pétrole liquéfié. Pour le fonctionnement correct du moteur, tenir compte des facteurs qui ont une incidence sur chacun de ces carburants, tels que l'emplacement et la durée des éventuelles interruptions de réseau. Suivre les directives ci-dessous pour choisir le type de carburant :

- Utiliser un carburant propre et sec, sans humidité ou particules. L'utilisation de carburants en dehors des valeurs recommandées peut entraîner des problèmes de rendement.
- Dans les moteurs configurés pour fonctionner avec du propane (pétrole liquéfié), utiliser uniquement du propane HD-5 de qualité commerciale.

Les moteurs au gaz naturel et au GPL sont homologués pour fonctionner au gaz naturel ou au gaz propane liquide. Le système antipollution de ce moteur est EM (modifications du moteur).

## Pression du carburant

La pression d'alimentation du GPL et du gaz naturel au niveau de l'orifice d'arrivée du carburant du groupe électrogène doit avoir une valeur minimum à pleine charge avec tous les appareils à gaz allumés et en fonctionnement.

Le gaz naturel doit avoir 3,5-7 po (8.89-17.78 cm) de colonne d'eau (CE).

Le GPL doit être avoir 11-14 po (27.94-35.56 cm) de colonne d'eau.

S'assurer que tous les robinets d'arrêt des conduites de gaz sont OUVERTS et qu'une pression correcte de carburant est disponible chaque fois qu'un fonctionnement automatique est nécessaire.

## Perte de puissance

La densité de l'air diminue à haute altitude, et entraîne une réduction de la puissance disponible du moteur. La puissance du moteur peut diminuer de 4,8 % pour chaque 1000 pied (305 m) au-dessus de l'altitude nominale de 800 ft (250 m) et de 1,1 % pour chaque 10° F (5,6° C) au-dessus de 77° F (25° C). Régler l'inverseur de source des groupes électrogènes installés dans une zone de haute altitude et exposés à des chutes de puissance. Consulter le *Manuel d'inverseur de source automatique* pour tout détail sur la procédure de réglage en cas de réduction de puissance.

## Circuit de carburant gazeux

### Dimension du tuyau de carburant

Un installateur utilise généralement NFPA 54 et 58 comme ressource à ce sujet. L'installateur doit tenir compte de la densité du gaz et compenser une quantité nominale de restriction due à des coudes et des raccords, et consulter les réglementations fédérales et locales.

### Conversion du carburant

Le moteur du groupe électrogène domestique est étalonné en usine et réglé pour fonctionner au gaz naturel, mais il peut aussi fonctionner au gaz de pétrole liquéfié.

#### NOTE

Les groupes sont réglés en usine pour fonctionner au gaz naturel.

Pour convertir le carburant, suivre les étapes suivantes :

1. Insérer la clé dans la serrure du panneau avant. Appuyer légèrement sur le toit au-dessus de la serrure, puis tourner la clé d'un quart de tour dans le sens horaire.
2. Soulever le toit en position OUVERTE.
3. Appuyer sur le bouton OFF du contrôleur.
4. Retirer le fusible de 15 A du porte-fusibles situé sous le contrôleur.
5. Débrancher l'alimentation secteur du groupe électrogène pour mettre hors tension le chargeur de batterie.
6. Débrancher le câble négatif (-) au niveau de la batterie.
7. Déposer le panneau latéral, côté contrôleur.
8. Repérer le sélecteur de carburant (A) au sommet du régulateur de carburant (B). Voir la Figure 10.

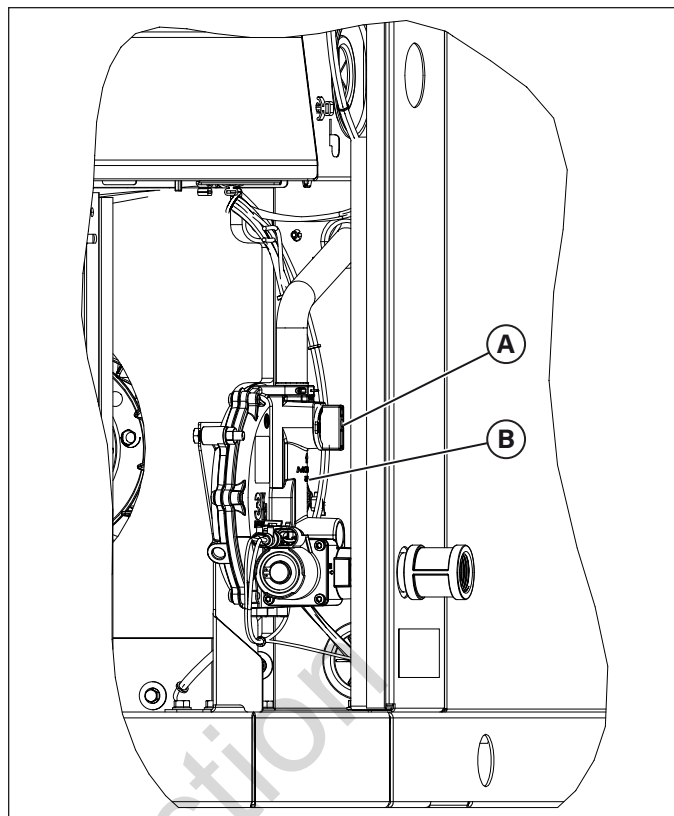


Figure 10

9. Pour régler le sélecteur de carburant :
  - A. Pour le GPL, tourner le levier (C) du sélecteur de carburant jusqu'à ce que LP soit aligné avec "OUT" sur le régulateur de carburant.

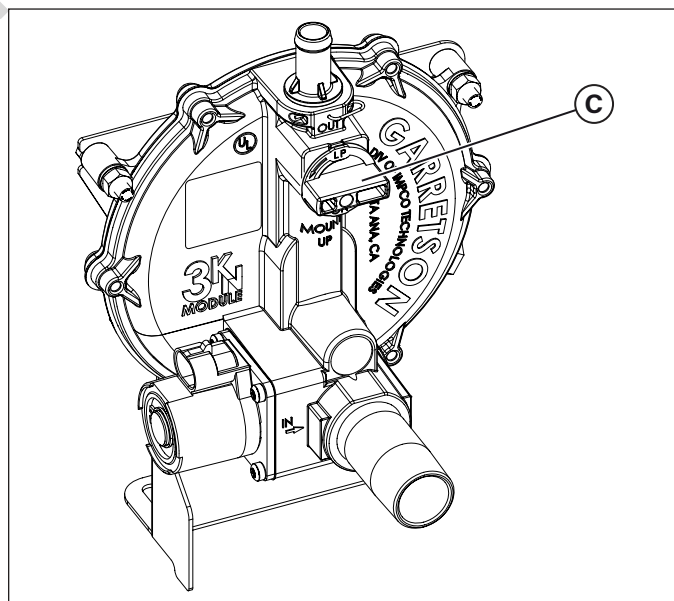


Figure 11

- B. Pour le GN, tourner le levier dans le sens horaire de 90° pour que la poignée du levier soit en position levée et abaissée et pour que les lettres "NG" (D) se trouvent à gauche.

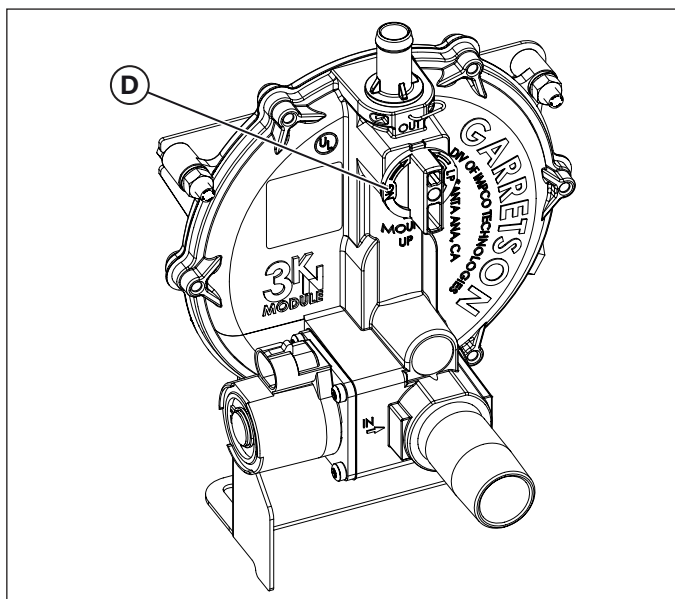


Figure 12

10. Repérer le sélecteur de carburant (E) dans le compartiment du moteur. Voir la Figure 13.  
11. Sélectionner le GPL ou le GN.

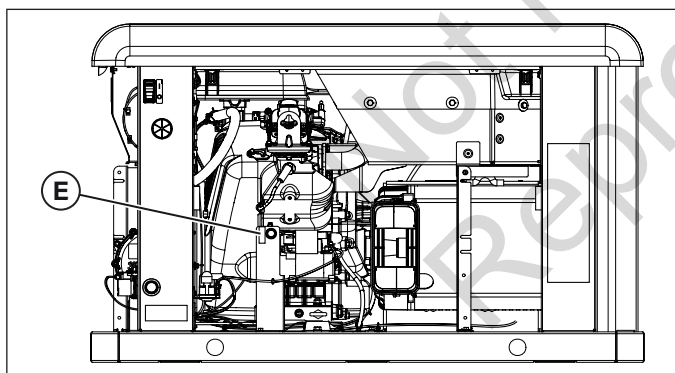


Figure 13

12. Brancher le câble négatif (-) au niveau de la batterie.  
13. Installer le panneau latéral, côté contrôleur.  
14. Installer le fusible de 15 A.  
15. Appuyer sur le bouton config du contrôleur et le maintenir enfoncé pour accéder au menu de configuration.  
16. Appuyer sur le bouton 'select' pour modifier des éléments dans le menu de configuration.  
17. Pour configurer le contrôleur du groupe électrogène pour le carburant GPL, accéder au menu de

configuration en utilisant le mot de passe du concessionnaire, disponible sur le portail Power Portal.

18. Allez à "**select profile**" et appuyer sur "select" sur le profil correct du groupe électrogène. Par exemple, choisir "20KW-LP" pour utiliser un groupe de 20 kW alimenté au GPL.

*Remarque :* La sélection d'un profil qui n'est pas destiné au groupe électrogène peut entraîner un fonctionnement irrégulier du groupe électrogène et l'endommager.

19. Pour enregistrer le nouveau réglage du carburant, appuyer sur le bouton 'stop/config' et le maintenir enfoncé jusqu'à ce que "Saving Settings..." s'affiche.  
20. Pour des informations supplémentaires sur le fonctionnement du contrôleur du groupe électrogène, consulter le *Operation Instructions GC1030 SERIES GENSET Controller Manual*, référence 80086364.  
21. Appuyez sur le bouton **auto** du contrôleur.  
22. Rétablir l'alimentation de réseau vers le groupe électrogène.  
23. Fermer le toit.

## Raccordements électriques sur place

**AVERTISSEMENT**  La tension du groupe électrogène peut causer des chocs électriques ou des brûlures, entraînant la mort ou des blessures graves.

- L'installation doit être effectuée par un professionnel habilité.
- Débrancher toutes les sources d'électricité avant d'installer ou d'entretenir l'équipement.
- Relier le système à la terre avant de le mettre sous tension.

**AVERTISSEMENT**  Tension dangereuse - L'installation d'un câble à basse et haute tension dans le même conduit peut causer des chocs électriques ou des brûlures, entraînant la mort ou des blessures graves.

- Ne pas faire passer un câble à basse et haute tension dans le même conduit sauf si TOUT le câblage a une classe d'isolation de 600 V. Consulter NFPA 70 pour plus d'informations.

Les raccordements basse tension se font via un bornier de raccordements sur place (E) dans la zone électrique principale. Comparer l'illustration suivante avec le groupe électrogène pour se familiariser avec l'emplacement de ces raccordements.

## Emplacement des connecteurs du système

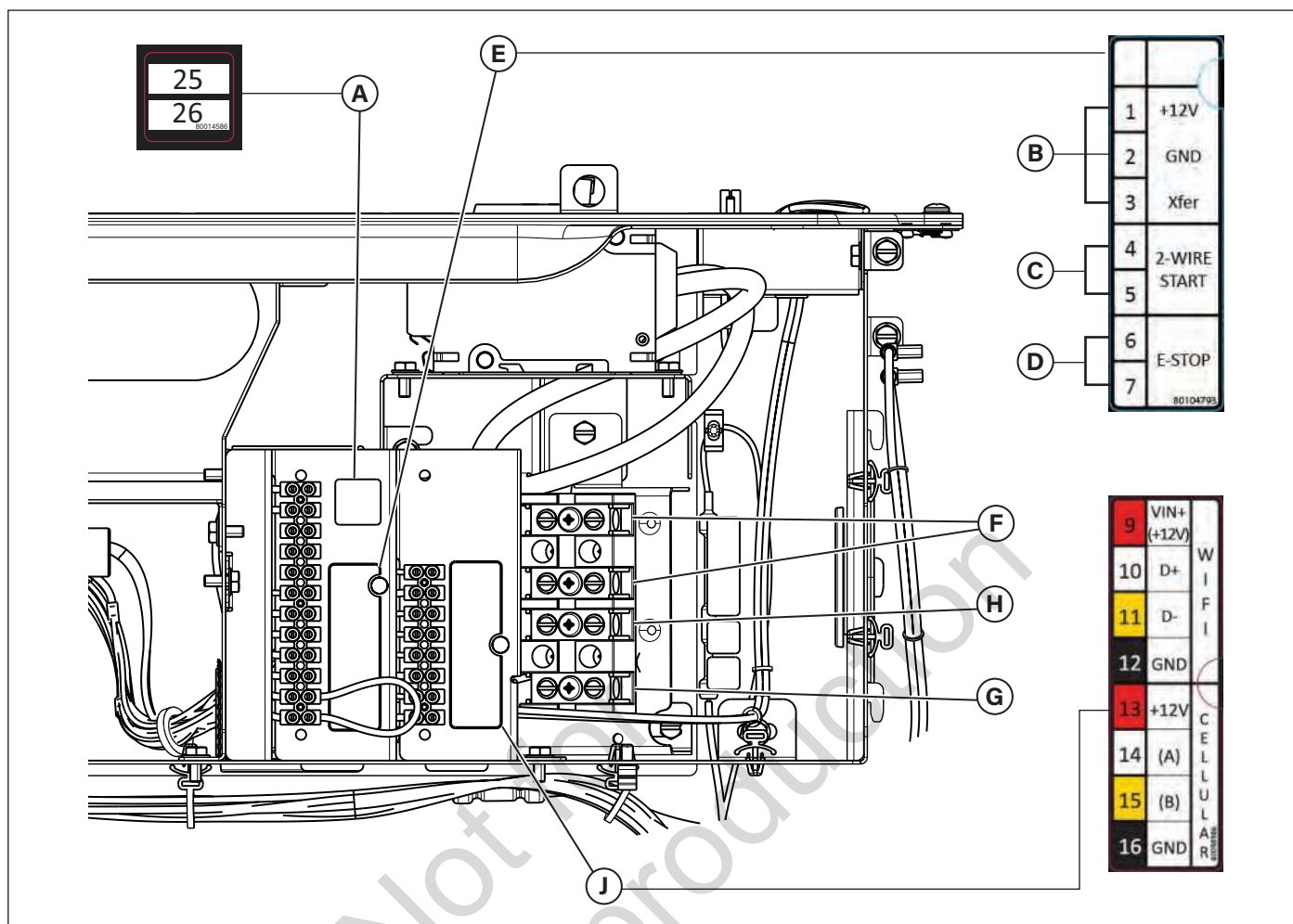


Figure 14

Légende de l'emplacement des connecteurs du système :

- |   |  |
|---|--|
| <p>(A) Raccordement au réseau — Raccorde l'alimentation de réseau de 240 VAC du bloc de fusibles dans l'ATS au contrôleur. Raccorder un seul fil par borne. Utiliser un fil 14 AWG (2,50 mm<sup>2</sup>) de 300 V minimum</p> <p>(B) Raccordement de l'inverseur de source — Commande le contacteur de l'inverseur de source</p> <p>(C) Démarrage à deux fils — Fournit le contact de démarrage à distance en option</p> <p>(D) Arrêt d'urgence — S'utilise avec l'arrêt d'urgence externe en option</p> <p>(E) Bornier de raccordements sur place — Référence au tableau suivant</p> | <p>(F) Raccordement électrique (L1 et L2) — Fournit le raccordement électrique à l'inverseur de source</p> <p>(G) Raccordement à la terre — Relié au fil de terre de l'inverseur de source</p> <p>(H) Raccordement au neutre — Relié au fil du neutre de l'inverseur de source</p> <p>(J) Bornier de communications — Référence au tableau suivant</p> |
|---|--|

NUMÉRO DE BROCHE	DESCRIPTION	TYPE DE FIL	RELIÉ À	REMARQUES
1	+12V	Conducteurs 18 AWG (1 mm <sup>2</sup> ), 600V minimum, fil de cuivre 90 °C.	Contrôleur de base de l'inverseur de source J7-8 12 VDC	Signal de transfert de l'inverseur de source (fonctionne seulement avec le contrôleur d'inverseur de source de base)
2	Terre	Conducteurs 18 AWG (1 mm <sup>2</sup> ), 600V minimum, fil de cuivre 90 °C.	Contrôleur de base de l'inverseur de source J7-7 GND	
3	Xfer (inverseur de source)	Conducteurs 18 AWG (1 mm <sup>2</sup> ), 600V minimum, fil de cuivre 90 °C.	Contrôleur de base de l'inverseur de source J7-4 T/R	
4	2-WIRE START (Démarrage à deux fils)	Conducteurs 18 AWG (1 mm <sup>2</sup> ), 600V minimum, fil de cuivre 90 °C.	Voir le <i>Manuel d'inverseur de source</i> pour vérifier si sa fonction est disponible.	Contact fermé pour démarrage du groupe électrogène <b>(seulement pour l'inverseur de source qui fournit cette option)</b> . Le contrôle de secteur doit être désactivé dans le contrôleur.
5	2-WIRE START (Démarrage à deux fils)	Conducteurs 18 AWG (1 mm <sup>2</sup> ), 600V minimum, fil de cuivre 90 °C.		
6	E-STOP (Arrêt d'urgence)	Conducteurs 18 AWG (1 mm <sup>2</sup> ), 600V minimum, fil de cuivre 90 °C.	Interrupteur d'arrêt d'urgence	Contact ouvert pour arrêter le groupe électrogène
7	E-STOP (Arrêt d'urgence)	Conducteurs 18 AWG (1 mm <sup>2</sup> ), 600V minimum, fil de cuivre 90 °C.	Interrupteur d'arrêt d'urgence	
9	VIN+ (+12V)	Conducteurs 18 AWG (1 mm <sup>2</sup> ), 600V minimum, fil de cuivre 90 °C.	Voir le <i>Manuel de passerelle d'amplification</i> .	Comm à module WIFI Paire torsadée n°1 : +12 V et terre Paire torsadée n°2 : (A) et (B)
10	(D+)	Conducteurs 18 AWG (1 mm <sup>2</sup> ), 600V minimum, fil de cuivre 90 °C.		
11	(D-)	Conducteurs 18 AWG (1 mm <sup>2</sup> ), 600V minimum, fil de cuivre 90 °C.		
12	Terre	Conducteurs 18 AWG (1 mm <sup>2</sup> ), 600V minimum, fil de cuivre 90 °C.		
13	+12V	Conducteurs 18 AWG (1 mm <sup>2</sup> ), 600V minimum, fil de cuivre 90 °C.	Voir le <i>manuel InfoHub™ Premium</i> .	Comm à module cellulaire Paire torsadée n°1 : +12 V et terre Paire torsadée n°2 : (A) et (B)
14	(A)	Conducteurs 18 AWG (1 mm <sup>2</sup> ), 600V minimum, fil de cuivre 90 °C.		
15	(B)	Conducteurs 18 AWG (1 mm <sup>2</sup> ), 600V minimum, fil de cuivre 90 °C.		
16	Terre	Conducteurs 18 AWG (1 mm <sup>2</sup> ), 600V minimum, fil de cuivre 90 °C.		
25	Réseau	Fil de cuivre 14 AWG [2,5 mm <sup>2</sup> ] 600V minimum, 90 °C.	Réseau d'inverseur de source	Détection de tension pour démarrage du groupe électrogène. Utiliser ce signal ou le signal de démarrage à deux fils pour le signal de démarrage du groupe électrogène (toujours nécessaire dans la configuration de démarrage à deux fils pour le chargeur de batterie).
26	Réseau	Fil de cuivre 14 AWG [2,5 mm <sup>2</sup> ] 600V minimum, 90 °C.	Réseau d'inverseur de source	

- Pour la connexion de sortie électrique (L1, L2, Neutre (N) et Terre), **consulter le Code électrique national (NEC) et les réglementations locales.**
- Pour les fils de communication, utiliser un fil de 300 V et des conducteurs à paire torsadée 18 AWG (1 mm<sup>2</sup>) ne dépassant pas une longueur de 500 pi (150 m).
- Pour la connexion au bornier, fixer un seul fil à chaque vis de connecteur.
- Serrer les vis du bornier au couple de 4,4 in-lb (0,5 N·m).
- Serrer les connexions du disjoncteur au couple de 45 in-lb (5 N·m).

## Connexion du circuit AC du groupe électrogène

Le groupe électrogène utilise un système de connexion AC monophasé à trois fils. Le stator est constitué d'une paire d'enroulements fixes avec deux conducteurs sortant de chaque enroulement. La jonction des fils 22 et 33 forme le conducteur neutre, illustré schématiquement et sous forme de schéma de câblage.

### NOTE

Le neutre n'est pas relié à la masse au niveau du groupe électrogène.

### NOTE

Utiliser uniquement le groupe électrogène avec un inverseur de source homologué, compatible avec le groupe électrogène.

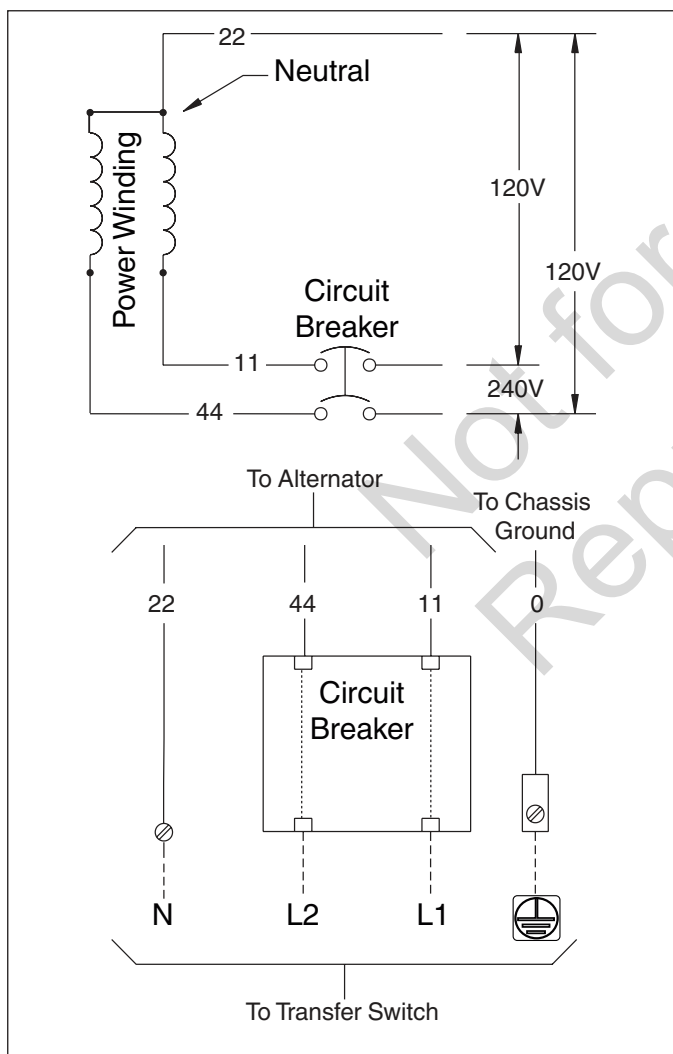


Figure 15

## Mise à la terre du groupe électrogène

Sauf si une réglementation locale l'exige, une mise à la terre du châssis à la terre supplémentaire au niveau du groupe électrogène n'est pas nécessaire. Toute mise à la terre au niveau du groupe électrogène doit utiliser des rondelles frein pour le perçage de métaux (ou leur équivalent). Des bornes homologuées doivent être installées selon les instructions du fabricant de bornes. Toutes les installations de mise à la terre et de bornes doivent être conformes aux codes électriques nationaux et aux exigences locales.

## Raccordements électriques entre le groupe électrogène et l'inverseur de source

### ⚠ AVERTISSEMENT



Si le groupe électrogène n'est pas isolé de l'alimentation de réseau, les ouvriers des services d'électricité pourraient être tués ou gravement blessés par la réalimentation de l'énergie électrique.

- Utiliser un inverseur de source homologué pour le raccordement au système électrique d'un bâtiment.

## Raccordement du circuit d'alimentation de réseau

Acheminer tous les câbles de réseau de 240 V dans le conduit. Le câble de réseau de 240 V alimente la carte de circuit imprimé du groupe électrogène et la batterie en option, le carter d'huile et les réchauffeurs de régulateur de carburant. Cette alimentation charge également la batterie. Le groupe électrogène démarre lorsque l'alimentation est perdue sur ces câbles. Utiliser le fil 14 AWG (2,50 mm<sup>2</sup>) de 300 V minimum fourni par l'installateur pour raccorder chaque borne du circuit de commande du groupe électrogène (25 et 26) au boîtier de fusibles dans l'inverseur de source automatique.

## Raccordement électrique du groupe électrogène

Utiliser les fils de 300 V minimum fournis par l'installateur et le tableau situé dans la section Raccordements électriques sur place, pour raccorder L1, L2, le neutre (N), et la terre de la sortie de puissance du groupe électrogène au L1, L2, au neutre (N) et à la terre de l'inverseur de source.

### NOTE

Consulter le Code électrique national (NEC) pour vérifier les raccordements électriques corrects sur place et calculer la taille des câbles.

## Considérations finales sur l'installation

### Huile moteur

#### NOTE

Toute tentative de lancer ou démarrer le moteur avant qu'il soit correctement rempli avec l'huile recommandée entraînera une défaillance de l'équipement et des codes d'entretien.

- Consulter Maintenance dans la section Fonctionnement pour toute information sur le remplissage d'huile.
- Les dommages aux équipements résultant du non-respect de cette instruction annuleront la garantie du moteur et du groupe électrogène.

Ce moteur est expédié de l'usine pré-rodé et rempli d'huile entièrement synthétique (API SJ/CF 5W-30). Cette étape permet le fonctionnement du système dans une vaste plage de température et de conditions climatiques. Avant de démarrer le moteur, vérifier le niveau d'huile selon les instructions de la section Maintenance.

L'utilisation d'huile entièrement synthétique ne modifie pas les intervalles de changement d'huile nécessaires figurant dans la section Fonctionnement.

### Batterie

#### AVERTISSEMENT



Les batteries rechargeables dégagent de l'hydrogène explosif pendant la recharge. La moindre étincelle peut enflammer l'hydrogène et causer une explosion, entraînant la mort ou des blessures graves.

- NE PAS éliminer la batterie dans un feu. Recycler la batterie.
- ÉVITER les flammes nues, les étincelles, la chaleur ou une cigarette allumée dans la zone de la batterie pendant la procédure de charge de la batterie et pendant plusieurs minutes après la charge.

#### AVERTISSEMENT



La tension du groupe électrogène peut causer des chocs électriques ou des brûlures, entraînant la mort ou des blessures graves.

- L'installation doit être effectuée par un professionnel habilité.
- Débrancher toutes les sources d'électricité avant d'installer ou d'entretenir l'équipement.
- Relier le système à la terre avant de le mettre sous tension.

#### AVERTISSEMENT



L'électrolyte de la batterie contient de l'acide et est extrêmement caustique. Tout contact avec le contenu de la batterie peut causer de graves brûlures chimiques.

- NE PAS ouvrir ou abîmer la batterie.
- Porter des lunettes de protection, un tablier en caoutchouc, des chaussures en caoutchouc et des gants en caoutchouc.
- Rincer immédiatement l'électrolyte avec de l'eau en cas de contact avec la peau.
- En cas de contact de l'électrolyte avec les yeux, rincer immédiatement à l'eau et consulter un médecin.
- Éliminer l'électrolyte déversé avec un agent de neutralisation à base d'acide.

L'installateur doit fournir et installer une batterie de démarrage de 12 V rechargeable. La batterie de démarrage DOIT être conforme aux spécifications figurant dans le tableau suivant.

SPÉCIFICATIONS DE LA BATTERIE		
Spécifications	Norme	Démarrage à froid (moins de 30 °F / - 1 °C)
Volts	12 VDC	12 VDC
Ampérage (minimum)	540 CCA (capacité de démarrage à froid)	800 CCA (capacité de démarrage à froid)
Construction	Plomb-acide à l'électrolyte liquide	Plomb-acide à l'électrolyte liquide
Type de borne	Batterie de type à borne supérieure	Batterie de type à borne supérieure
Dimensions (maximum)	Taille 26 BCI ou taille 51 BCI	Taille 24 BCI

#### AVERTISSEMENT



Avec la batterie branchée, le groupe électrogène peut démarrer inopinément et entraîner la mort ou des blessures graves.

- Ne pas brancher le câble négatif (-) au niveau de la batterie tant que l'installation n'est pas terminée.

Installer les batteries selon les instructions fournies dans Entretien de la batterie dans la section Maintenance de ce manuel. Toujours brancher le câble négatif en dernier et fixer l'isolant de la borne positive rouge.

Utiliser la sangle d'arrimage fournie pour fixer la batterie au groupe. Fixer chaque extrémité de la sangle aux languettes situées à la base du groupe.

## Contrôleur du système

### NOTE

Consulter le manuel en ligne séparé intitulé *Operation Instructions GC1030 SERIES GENSET Controller* (référence 80086364) pour tout détail sur la configuration et le fonctionnement.

Le contrôleur du groupe électrogène, situé à l'intérieur de l'enveloppe du groupe électrogène, est illustré dans la figure suivante.

## Commandes utilisées pendant l'installation

### Contrôleur du groupe électrogène

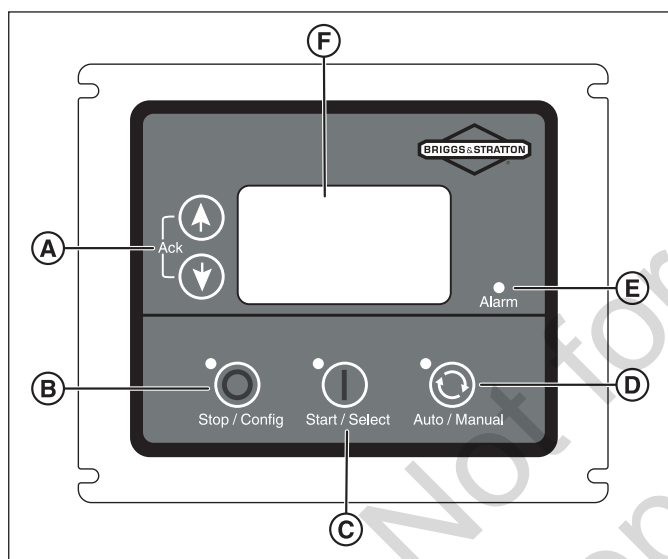


Figure 16

- (A) Bouton de navigation de menu/programmation
- (B) Bouton d'arrêt/configuration
- (C) Bouton de démarrage/sélection
- (D) Bouton automatique/manuel
- (E) Alarme
- (F) Afficheur numérique – Affiche le mode du groupe électrogène, les options de menu et les alarmes

Des descriptions détaillées des commandes figurent dans la section Description des touches de commande du manuel en ligne intitulé *Operation Instructions GC1030 SERIES GENSET Controller* (référence 80086364).

## Démarrage initial (à vide)

### ⚠ AVERTISSEMENT



**La chaleur/les gaz d'échappement peuvent enflammer les matières combustibles et causer un incendie pouvant entraîner la mort ou des blessures graves.**

- **Éliminer les matières combustibles à l'intérieur et autour du compartiment du groupe électrogène.**

Le groupe a été configuré en usine pour fonctionner au gaz naturel. Une conversion du carburant doit être effectuée avant d'effectuer les étapes suivantes. Voir la section Conversion du carburant.

Avant d'utiliser ou de mettre en service le groupe électrogène de secours, examiner attentivement toute l'installation. Commencer ensuite à tester le système sans brancher de charges électriques, comme suit :

### NOTE

Lorsque le groupe électrogène démarre pour la première fois, il purge l'air des conduites de carburant gazeux. Cette procédure peut entraîner des ratés du moteur pendant quelques minutes.

1. Retirer les deux vis (A) qui fixent le couvercle du câblage du boîtier de commande. Déposer le couvercle.
2. Brancher un multimètre de précision au côté conduite du disjoncteur principal du groupe électrogène.
3. Régler le disjoncteur principal du groupe électrogène en position ON (fermée).
4. Installer un fusible de 15 A dans le poste-fusibles situé sous le contrôleur.
5. Appuyer sur le bouton start/select sur le contrôleur. Le moteur démarre en mode de ralenti bas (LIM).
6. Appuyer à nouveau sur le bouton pour amener le moteur à plein régime.
7. Guetter des bruits inhabituels, des vibrations ou d'autres indications de fonctionnement anormal. Rechercher la présence de fuites d'huile pendant que le moteur tourne.
8. Laisser le moteur se réchauffer pendant environ cinq minutes pour permettre aux températures internes de se stabiliser.
9. Vérifier la puissance du groupe électrogène sur le côté charge du disjoncteur. La tension doit être 225-250 volts et la fréquence doit être 59,0-61,0 Hz.
10. Vérifier la puissance du groupe électrogène entre une cosse de connexion du groupe électrogène et une cosse du neutre, puis entre l'autre cosse de connexion du groupe électrogène et une cosse du neutre. Dans les deux cas, la tension relevée doit être 112-125 volts.



11. Appuyer sur le bouton stop/config sur le contrôleur.  
Le moteur passe en mode de refroidissement pendant environ cinq minutes. Appuyer à nouveau sur le bouton pour arrêter le moteur.
12. Installer le couvercle du boîtier de commande.

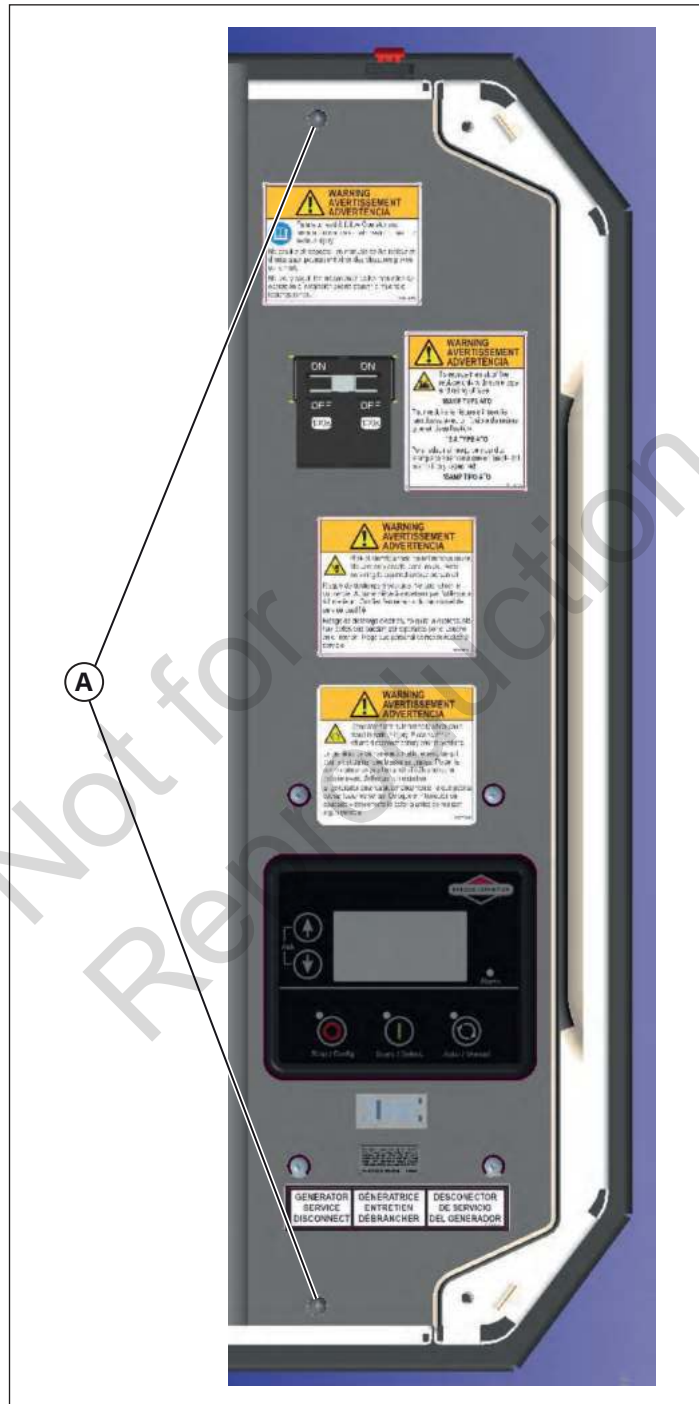


Figure 17

# FONCTIONNEMENT

## Commandes

**AVERTISSEMENT**  Le non-respect de tous les avertissements et des instructions d'utilisation du manuel d'utilisation peut entraîner la mort ou des blessures graves.

### Vue Avant

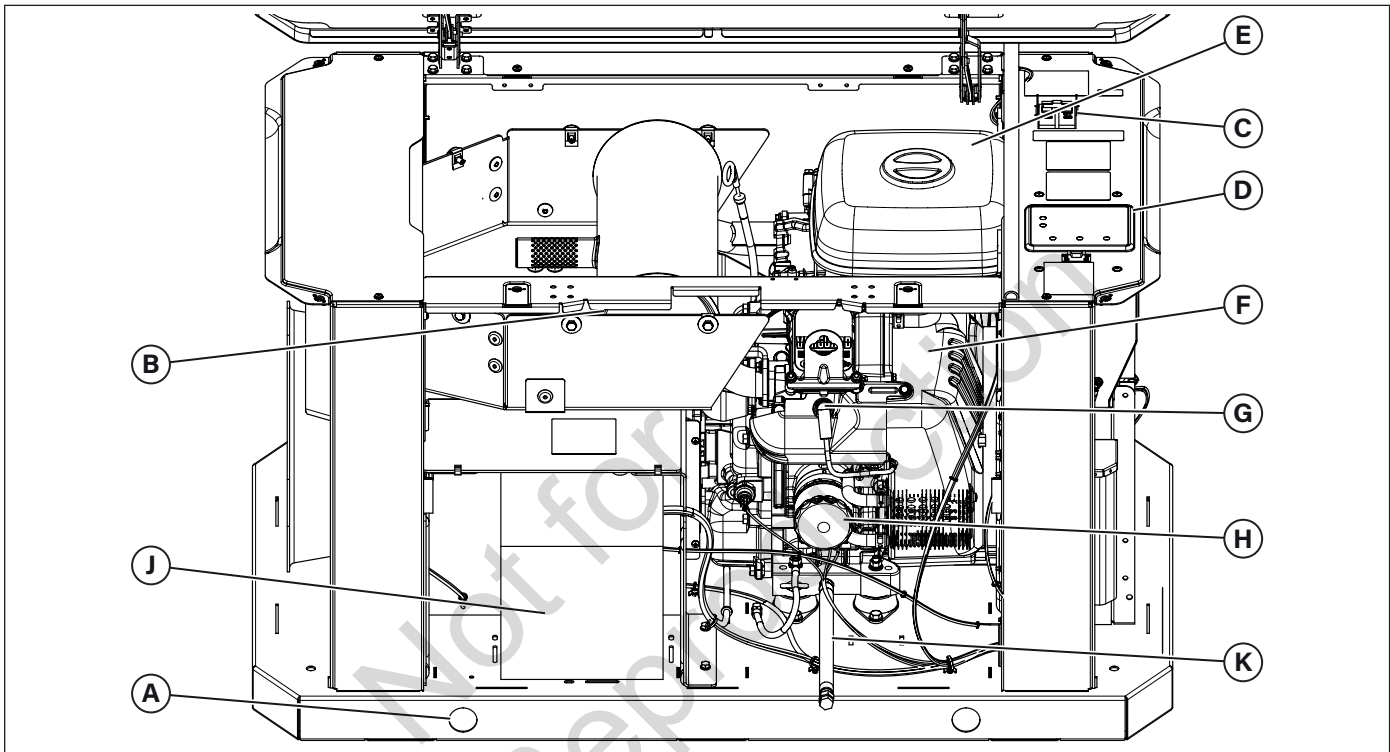


Figure 18

Le groupe électrogène est illustré avec le toit et les panneaux d'accès déposés pour plus de clarté. Légende des emplacements des connecteurs du système :

- |   |   |
|---|---|
| (A) Trous de levage — Prévus à chaque coin pour soulever le groupe électrogène  | (F) Étiquette du moteur — Identifie le modèle et le type de moteur (situé sur le couvre-culasse)  |
| (B) Silencieux — Le silencieux haute performance réduit le bruit du moteur pour se conformer à la plupart des règlements résidentiels               | (G) Bougie — Dispositif situé dans la culasse du moteur, qui allume le mélange de carburant au moyen d'une étincelle électrique                 |
| (C) Disjoncteur — Protège le système des courts-circuits et autres conditions de surintensité   | (H) Filtre à huile — Filtre l'huile moteur pour prolonger la durée de vie du groupe électrogène   |
| (D) Contrôleur — Facilite le contrôle du fonctionnement du groupe électrogène, le démarrage des menus et les fonctions d'affichage des informations | (J) Batterie (fournie par l'installateur) — Une batterie automobile au plomb de 12 VDC fournit l'alimentation nécessaire au démarrage du moteur |
| (E) Filtre à air — Utilise un élément filtrant de type sec pour protéger le moteur en filtrant la poussière et les débris de l'air d'admission      | (K) Flexible de vidange d'huile — Facilite le changement de l'huile   |

## Vue Arrière

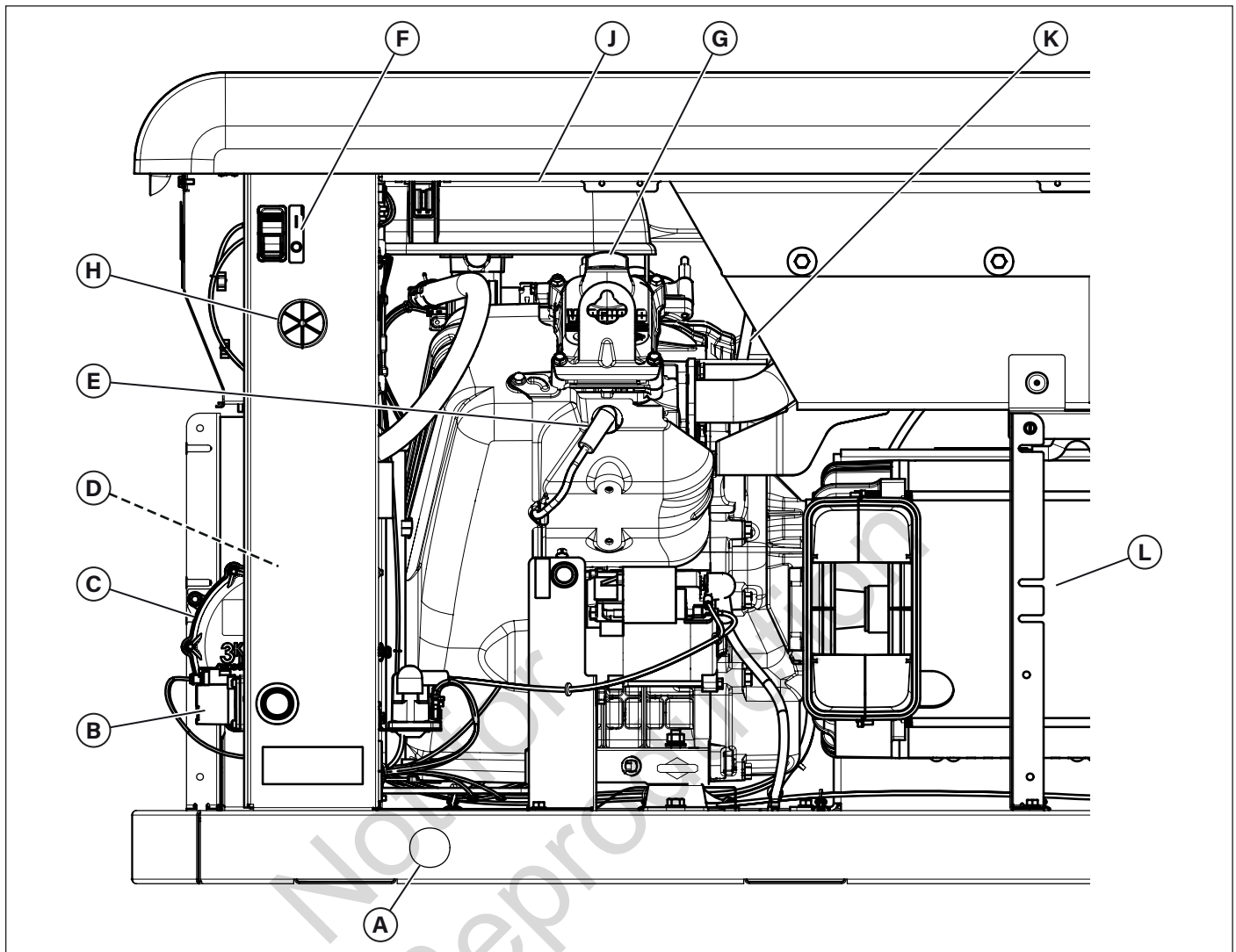


Figure 19

- |   |  |
|---|--|
| (A) Trous de levage — Prévus à chaque coin pour soulever le groupe électrogène  | (G) Bouchon de remplissage d'huile — L'emplacement pour ajouter de l'huile dans le moteur  |
| (B) Solénoïde de carburant — S'ouvre et se ferme automatiquement pour fournir le carburant au groupe en cas de besoin           | (H) Entrée du câblage électrique sur place — Les câbles de et vers le groupe électrogène sont regroupés dans cet emplacement                   |
| (C) Régulateur de carburant — Contrôle le débit de carburant vers le moteur pour un fonctionnement correct                      | (J) Filtre à air — Utilise un élément filtrant de type sec pour protéger le moteur en filtrant la poussière et les débris de l'air d'admission |
| (D) Sélecteur de carburant (non illustré) — Facilite la sélection du type de carburant correct (GPL ou GN)                      | (K) Jauge d'huile moteur — Permet à l'utilisateur de vérifier facilement le niveau d'huile moteur  |
| (E) Bougie — Dispositif situé dans la culasse du moteur, qui allume le mélange de carburant au moyen d'une étincelle électrique | (L) Alternateur — Machine électrique qui génère un courant alternatif  |
| (F) Interrupteur ON/OFF — Permet d'activer (I) et de désactiver (O) le groupe électrogène                                       |  |

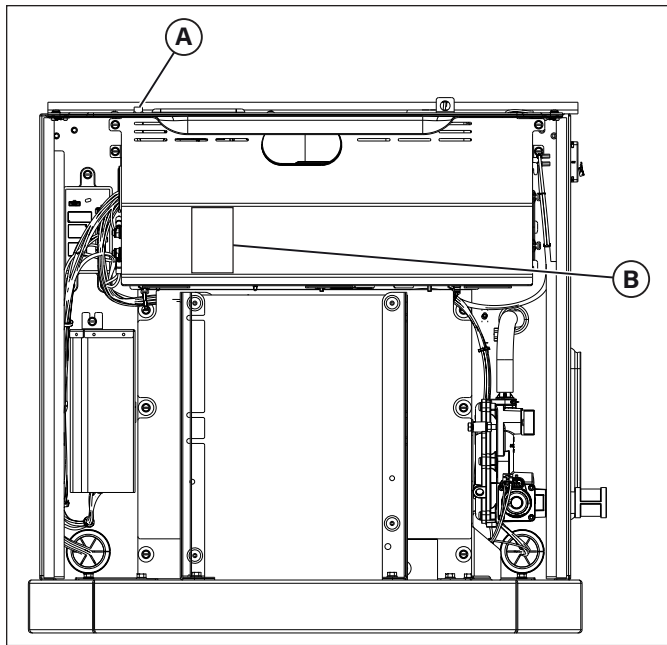


Figure 20

- (A) Porte-fusibles — Pour le fusible de 15 A de type ATO (le porte-fusibles se trouve sous le contrôleur)
- (B) Plaque signalétique du groupe électrogène — Identifie le numéro de modèle et le numéro de série du groupe électrogène. Située à l'intérieur du compartiment d'accès à la batterie

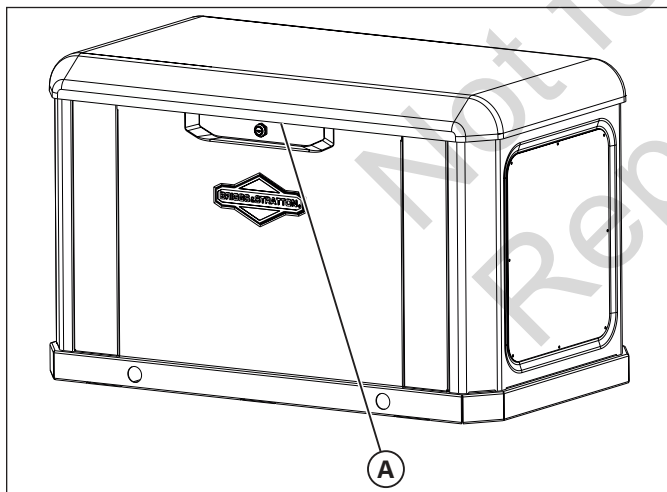


Figure 21

- (A) LED d'état — Trois modes :
- Voyant bleu fixe : Unité prête pour le fonctionnement (contrôleur en mode AUTO)
  - Voyant bleu clignotant : Défaut de l'unité (vérifier le message de défaut sur le contrôleur)
  - Aucun voyant : Contrôleur en mode MANUEL ou pas d'alimentation de la batterie ou interrupteur Marche/Arrêt en position OFF.

## Considérations importantes pour le propriétaire

**AVERTISSEMENT** Les gaz d'échappement du moteur contiennent du monoxyde de carbone, un gaz toxique qui peut tuer les êtres humains et les animaux en quelques minutes. Il est inodore, invisible et sans saveur pour les personnes et les animaux. Même si l'on ne sent pas de gaz d'échappement, une exposition au monoxyde de carbone est toujours possible.

- Des détecteurs de monoxyde de carbone **DOIVENT** être installés à l'intérieur et entretenus conformément aux instructions et aux recommandations du fabricant. Les détecteurs de fumée ne détectent pas le monoxyde de carbone.
- En cas de sensation de malaise, de somnolence ou de fatigue, ou si le détecteur de monoxyde de carbone retentit pendant l'utilisation du groupe électrogène, aller immédiatement à l'air frais. Appeler les services d'urgence. Il s'agit probablement d'un empoisonnement au monoxyde de carbone.

**AVERTISSEMENT** Le propane et le gaz naturel sont extrêmement inflammables et explosifs et peuvent causer des brûlures, des incendies ou des explosions, entraînant la mort ou des blessures graves.

- Le groupe électrogène comporte un robinet d'arrêt automatique de gaz combustible.
- **NE PAS** utiliser l'équipement si le robinet d'arrêt de carburant est manquant ou inopérant.

## Huile moteur

Ce moteur est expédié de l'usine pré-rodé et rempli d'huile entièrement synthétique (API SJ/CF 5W-30). Cette étape permet le fonctionnement du système dans une vaste plage de température et de conditions climatiques. Avant de démarrer le moteur, vérifier le niveau d'huile selon les instructions de la section Maintenance.

**NOTE** Toute tentative de lancer ou de démarrer le moteur avant qu'il ne soit correctement rempli avec l'huile recommandée entraînera la défaillance de l'équipement.

- Les dommages aux équipements résultant du non-respect de cette instruction annuleront la garantie du moteur et du groupe électrogène.

## Batterie

L'installateur doit fournir une batterie de démarrage de 12 VDC rechargeable. Voir Batterie dans la section Considérations finales.

## Fusible de 15 A

S'assurer que le fusible est installé correctement avant d'utiliser le groupe électrogène.

## Séquence de fonctionnement automatique

Le contrôleur du groupe électrogène contrôle la tension de réseau. Si la tension de réseau diminue sous un niveau prédéfini, le contrôleur signale au moteur de démarrer. Lorsque la tension de réseau est rétablie au-dessus d'un niveau de tension prédéfini, le moteur reçoit des signaux pour s'arrêter. Le fonctionnement du système n'est pas réglable et est mis en séquence par des capteurs et des temporisateurs sur le contrôleur, de la manière suivante :

### Capteur de chute de tension de réseau

- Ce capteur contrôle la tension d'alimentation de réseau.
- Si la tension d'alimentation de réseau diminue à moins de 70 % environ de la tension d'alimentation nominale, le capteur déclenche un temporisateur. Le temporisateur "détecte" les baisses de tension.
- Le moteur démarre une fois que le temporisateur a expiré.

### Capteur de détection de tension de réseau

Ce capteur contrôle la tension de réseau. Lorsque la tension de réseau est rétablie à plus de 80 % environ de la tension d'alimentation nominale, un temporisateur d'arrêt se déclenche et le moteur refroidit.

### Temporisateur de refroidissement du moteur

Lorsque le système détecte l'alimentation de réseau, la charge est transférée à la source d'alimentation de réseau et le moteur entre dans une période de refroidissement de cinq minutes.

## Réglage du minuteur de fonctionnement

1. Appuyer sur le bouton stop/config et le maintenir enfoncé (B).
2. Appuyer sur le bouton start/select (C) pour accéder au mode "write".
3. Entrer le mot de passe (0000) en utilisant les touches fléchées (A) et le bouton start/select (C).
4. Dans l'écran de configuration, utiliser les touches fléchées (A) pour trouver **module**.
5. Appuyer sur le bouton start/select (C) et utiliser les touches fléchées (A) pour trouver **auto exercise**.

6. Appuyer sur le bouton start/select (C) et utiliser les touches fléchées (A) pour sélectionner chaque paramètre et choisir les réglages désirés.
7. Appuyer sur le bouton stop/config (B) et le maintenir enfoncé pour enregistrer les réglages.

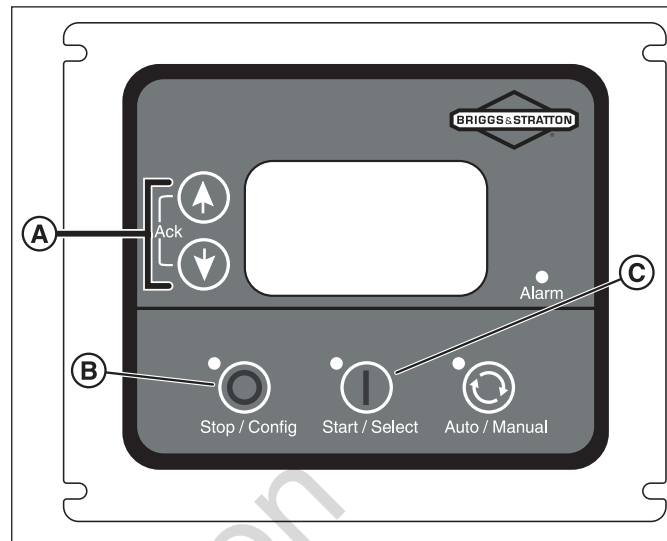


Figure 22

Une liste détaillée de tous les paramètres à l'écran s'affiche dans la section Configuration de GCU à l'intérieur du manuel en ligne *Operation Instructions GC1030 SERIES GENSET Controller* (référence 80086364).

## MAINTENANCE

### Entretien du système

**AVERTISSEMENT**  **La tension du groupe électrogène peut causer des chocs électriques ou des brûlures, entraînant la mort ou des blessures graves.**

- **NE PAS autoriser des personnes non qualifiées à utiliser ou entretenir le groupe électrogène.**

**AVERTISSEMENT**  **Avec la batterie branchée, le groupe électrogène peut démarrer inopinément et entraîner la mort ou des blessures graves.**

- **Avant l'entretien, arrêter le groupe électrogène et débrancher le câble négatif (-) au niveau de la batterie.**

Toujours suivre ces étapes avant de procéder à la maintenance du groupe électrogène :

1. Appuyer sur l'interrupteur ON/OFF à l'arrière du groupe électrogène en position OFF (0).

2. Débrancher l'alimentation secteur du groupe électrogène pour mettre hors tension le chargeur de batterie.
3. Déverrouiller et ouvrir le toit selon les instructions de la section Panneaux d'accès.
4. Retirer le fusible de 15 A du porte-fusibles situé sous le contrôleur.
5. Débrancher le câble négatif (-) au niveau de la batterie.
6. Effectuer les étapes d'entretien prescrites.
7. Brancher le câble négatif (-) au niveau de la batterie.
8. Installer le fusible de 15 A dans le porte-fusibles.
9. Fermer et verrouiller le toit.
10. Rétablir l'alimentation de réseau vers le groupe électrogène.
11. Appuyer sur l'interrupteur ON/OFF à l'arrière du groupe électrogène en position ON (I).
12. Régler le mode du groupe électrogène sur **auto**.

## Programme d'entretien

Suivre les intervalles horaires ou de calendrier, selon la première échéance.

<b>Toutes les 8 heures de fonctionnement ou tous les jours</b>
Éliminer les débris
Vérifier le niveau d'huile moteur
<b>Toutes les 100 heures de fonctionnement ou tous les ans</b>
Remplacer le filtre à air
Remplacer l'huile moteur et le filtre
Remplacer les bougies
Vérifier le jeu de soupapes
Vérifier les couples de serrage du disjoncteur
<b>Tous les ans</b>
Nettoyer les ailettes du refroidisseur d'huile

Une maintenance régulière améliore les performances et prolonge la durée de vie du groupe électrogène. S'adresser à un concessionnaire agréé pour l'entretien.

## Contrôle des émissions

Tout individu, qu'il appartienne ou non à un centre de réparation de moteurs hors-route, peut effectuer l'entretien, le remplacement ou la réparation des dispositifs et systèmes antipollution. Cependant, seul un concessionnaire autorisé par l'usine doit effectuer les interventions nécessaires pour obtenir un service antipollution "gratuit". Voir la Garantie antipollution pour plus de détails.

## Entretien du groupe électrogène

La garantie du groupe électrogène ne couvre pas les éléments qui ont fait l'objet d'abus ou de négligence de la part de l'opérateur. Pour bénéficier pleinement de la garantie, l'opérateur doit entretenir le groupe électrogène selon les instructions de ce manuel.

Le propriétaire du groupe électrogène doit procéder régulièrement à certains réglages pour l'entretenir correctement.

Tout l'entretien et les réglages doivent être effectués au moins une fois à chaque saison. Respecter les exigences de la section Programme d'entretien.

L'entretien du groupe électrogène implique également d'assurer sa propreté. Utiliser le groupe dans un environnement exempt de poussière, de saleté, d'humidité excessive ou de vapeurs corrosives. Éviter que les entrées et sorties d'air de refroidissement du capotage soient obstruées par de la neige, des feuilles ou d'autres corps étrangers. Pour éviter des dommages du groupe électrogène causés par la surchauffe, maintenir les entrées et les sorties de refroidissement du capotage propres et sans obstructions en permanence.

Vérifier fréquemment la propreté du groupe et le nettoyer si de la poussière, de la saleté, de l'huile, de l'humidité ou d'autres substances étrangères apparaissent sur la surface extérieure et intérieure. Examiner les ouvertures d'entrée et de sortie d'air à l'intérieur et à l'extérieur de l'enveloppe pour s'assurer que la circulation de l'air n'est pas bloquée.

### NOTE

*Un traitement incorrect du groupe électrogène peut l'endommager et réduire sa durée de vie.*

- **NE PAS** exposer le groupe électrogène à l'humidité, à la poussière, à la saleté ou à des vapeurs corrosives excessives.
- **NE PAS** introduire d'objets à travers les fentes de refroidissement.

## Nettoyage du groupe électrogène

### ⚠ AVERTISSEMENT



**La chaleur/les gaz d'échappement peuvent enflammer les matières combustibles et causer un incendie pouvant entraîner la mort ou des blessures graves.**

- **Maintenir la zone autour du groupe électrogène propre et sans débris.**

### NOTE

*NE PAS utiliser le jet direct d'un tuyau d'arrosage pour nettoyer le groupe électrogène. L'eau peut pénétrer dans le moteur et le groupe électrogène et les endommager.*

### NOTE

*Examiner régulièrement l'extérieur du moteur à la recherche de contamination et de dommages potentiels causés par de la saleté, des feuilles, des rongeurs, des toiles d'araignée, des insectes, etc., et les éliminer.*



1. Appuyer sur l'interrupteur ON/OFF à l'arrière du groupe électrogène en position OFF (0).
2. Débrancher l'alimentation secteur du groupe électrogène pour mettre hors tension le chargeur de batterie.
3. Déverrouiller et ouvrir le toit selon les instructions de la section Panneaux d'accès.
4. Retirer le fusible de 15 A du porte-fusibles situé sous le contrôleur.
5. Débrancher le câble négatif (-) au niveau de la batterie.
6. Nettoyer le groupe électrogène en effectuant les étapes suivantes :
  - Essuyer les surfaces extérieurs avec un chiffon humide.
  - Utiliser une brosse à soies souples et un aspirateur pour déloger et aspirer la saleté et les débris. Utiliser de l'air à faible pression (ne pas dépasser 25 psi ou 175 mbar) pour éliminer la saleté et les débris.
  - Dégager la neige, les feuilles ou les débris des entrées et des sorties d'air. Maintenir ces ouvertures sans obstructions pour éviter des dommages du groupe électrogène causés par la surchauffe.
7. Brancher le câble négatif (-) au niveau de la batterie.
8. Installer le fusible de 15 A dans le porte-fusibles.
9. Fermer et verrouiller le toit.
10. Rétablir l'alimentation de réseau vers le groupe électrogène.
11. Appuyer sur l'interrupteur ON/OFF à l'arrière du groupe électrogène en position ON (I).
12. Régler le mode du groupe électrogène sur **auto**.
3. Déverrouiller et ouvrir le toit selon les instructions de la section Panneaux d'accès.
4. Retirer le fusible de 15 A du porte-fusibles situé sous le contrôleur.
5. Débrancher le câble négatif (-) au niveau de la batterie.
6. Attendre environ cinq minutes pour que l'huile s'écoule dans le carter d'huile.
7. Retirer la jauge. L'essuyer avec un chiffon propre ou une serviette en papier. Pousser ensuite la jauge à fond dans le tube de la jauge.
8. Retirer la jauge et noter la quantité d'huile indiquée. L'huile doit atteindre un niveau compris entre les repères "add" et "full" de la jauge.
9. Si le niveau d'huile est inférieur au repère "add" de la jauge, installer la jauge et passer à l'étape 10.

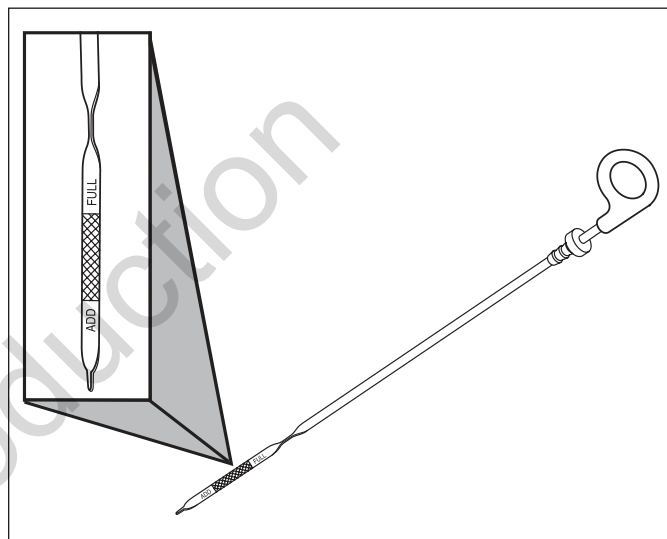


Figure 23

## Entretien du moteur

### Huile moteur

Utiliser exclusivement de l'huile moteur entièrement synthétique Briggs & Stratton® 80028446 SAE 5W-30. D'autres huiles détergentes entièrement synthétiques de première qualité sont acceptables si elles sont destinées à l'entretien SJ ou supérieur. Ne pas utiliser d'additifs spéciaux.

### Vérification du niveau d'huile moteur

Maintenir le niveau d'huile entre les repères "add" et "full" de la jauge. Avant de vérifier le niveau d'huile, suivre ces étapes pour garantir un relevé précis sur la jauge :

1. Appuyer sur l'interrupteur ON/OFF à l'arrière du groupe électrogène en position OFF (0).
2. Débrancher l'alimentation secteur du groupe électrogène pour mettre hors tension le chargeur de batterie.
10. Retirer le bouchon de remplissage d'huile du couvercle-culasse.
11. Ajouter la quantité d'huile nécessaire pour amener le niveau jusqu'au repère "full" de la jauge (mais pas au-dessus). Installer le bouchon de remplissage d'huile sur le couvercle-culasse et essuyer l'huile déversée.
12. Brancher le câble négatif (-) au niveau de la batterie.
13. Installer le fusible de 15 A dans le porte-fusibles.
14. Fermer et verrouiller le toit.
15. Rétablir l'alimentation de réseau vers le groupe électrogène.
16. Appuyer sur l'interrupteur ON/OFF à l'arrière du groupe électrogène en position ON (I).
17. Régler le mode du groupe électrogène sur **auto**.

## Remplacement de l'huile moteur et du filtre à huile

Remplacer l'huile pendant que le moteur est toujours chaud après le fonctionnement.

- Appuyer sur l'interrupteur ON/OFF à l'arrière du groupe électrogène en position OFF (0).
- Débrancher l'alimentation secteur du groupe électrogène pour mettre hors tension le chargeur de batterie.
- Déverrouiller et ouvrir le toit selon les instructions de la section Panneaux d'accès.
- Retirer le fusible de 15 A du porte-fusibles situé sous le contrôleur.
- Débrancher le câble négatif (-) au niveau de la batterie.
- Placer le flexible de vidange d'huile dans un récipient approprié.
- Retirer le raccord en bronze de l'extrémité du flexible de vidange d'huile.
- Réinstaller le raccord en bronze sur le flexible une fois que toute l'huile est vidangée.
- Placer un récipient approprié sous la zone du filtre à huile.
- Déposer le filtre à huile et l'éliminer correctement.
- Avant d'installer un nouveau filtre à huile, lubrifier légèrement le joint du filtre à huile avec de l'huile neuve et propre.
- Installer le filtre à huile à la main jusqu'à ce que le joint entre en contact avec l'adaptateur du filtre à huile, puis serrer le filtre à huile d'1/2 à 3/4 de tour.
- Ajouter la quantité d'huile nécessaire pour amener le niveau jusqu'au repère "full" de la jauge (mais pas au-dessus). Installer le bouchon de remplissage d'huile et essuyer l'huile déversée.
- Brancher le câble négatif (-) au niveau de la batterie.
- Installer le fusible de 15 A dans le porte-fusibles.
- Fermer et verrouiller le toit.
- Rétablir l'alimentation de réseau vers le groupe électrogène.
- Appuyer sur l'interrupteur ON/OFF à l'arrière du groupe électrogène en position ON (I).
- Régler le mode du groupe électrogène sur **auto**.

## Huile moteur

Le moteur est rempli d'huile entièrement synthétique (API SJ/CF 5W-30). Cette huile permet le fonctionnement du système dans la plage de température et les conditions climatiques les plus amples.

Le fabricant recommande l'utilisation de l'huile moteur entièrement synthétique Briggs & Stratton® 80028446 SAE 5W-30. D'autres huiles détergentes entièrement synthétiques de première qualité sont acceptables si elles sont destinées à l'entretien SJ ou supérieur. Ne pas utiliser d'additifs spéciaux.

Note : Une huile acceptable à toutes les températures inclut une huile entièrement synthétique qui :

- Répond aux normes GF-2 du Comité International de Normalisation et d'Approbation des Lubrifiants (ILSAC)
- Porte la marque de certification API
- Comporte un système de service API avec "économiseur SJ/CF" ou plus



L'utilisation d'une huile entièrement synthétique ne modifie pas les intervalles de changement d'huile nécessaires décrits dans la section Fonctionnement.

## Réglage du jeu de soupapes

Vérifier le jeu de soupapes toutes les 100 heures de fonctionnement. Mesurer le jeu de soupapes avec le moteur froid. Pour régler le jeu de soupapes, procéder comme suit :

- Appuyer sur l'interrupteur ON/OFF à l'arrière du groupe électrogène en position OFF (0).
- Débrancher l'alimentation de réseau du groupe électrogène pour mettre le chargeur de batterie hors tension.
- Déverrouiller et ouvrir le toit selon les instructions de la section Panneaux d'accès.
- Retirer le fusible de 15 A du porte-fusibles situé sous le contrôleur.
- Débrancher le câble négatif (-) au niveau de la batterie.
- Déposer les deux bougies pour faciliter la rotation manuelle du vilebrequin du moteur.
- Pour accéder au moteur pour le tourner à la main :  
Déposer le panneau latéral, côté contrôleur. Déposer le panneau insonorisant en retirant les deux vis autotaraudeuses qui le fixent à la base pour accéder à l'écrou du vilebrequin. Une fois terminé, réinstaller le panneau insonorisant et le panneau latéral, côté contrôleur.  
OU déposer le panneau latéral, côté échappement, pour accéder au ventilateur et au moyeu de l'alternateur. Faire attention en utilisant le moyeu pour tourner afin d'éviter d'endommager les ailettes du ventilateur, car des ailettes de ventilateur endommagées compromettront la circulation de l'air à travers l'alternateur. Une fois terminé, réinstaller le panneau latéral, côté échappement.
- Régler le cylindre n° 1 à 1/4 pouce (6 mm) au-delà du point mort haut (PMH) sur la course de compression.
- Utiliser une jauge d'épaisseur (A) pour mesurer le jeu de soupapes.
- Pour le jeu de soupapes correct pour l'admission et l'échappement, voir la section Spécifications du moteur.
- Régler le jeu en desserrant le contre-écrou (B), puis tourner la vis de réglage (C).





12. Après avoir réglé le jeu correct, maintenir la vis de réglage tout en serrant le contre-écrou au couple de 70 in-lb (8 N·m).
13. Répéter ces étapes pour le cylindre n° 2.
14. Brancher le câble négatif (-) au niveau de la batterie.
15. Installer le fusible de 15 A dans le porte-fusibles.
16. Fermer et verrouiller le toit.
17. Rétablir l'alimentation de réseau vers le groupe électrogène.
18. Appuyer sur l'interrupteur ON/OFF à l'arrière du groupe électrogène en position ON (I).
19. Régler le mode du groupe électrogène sur **auto**.

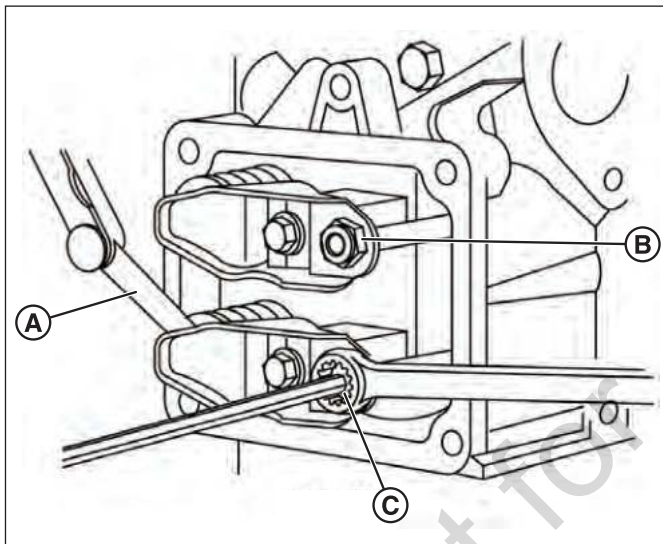


Figure 24

## Système de régulation électronique

Le système de régulation électronique du moteur améliore le contrôle et augmente le rendement du groupe électrogène par rapport au système à régulation mécanique. Le résultat est un fonctionnement en douceur en régime stationnaire sans phénomène de "pompage", courant sur de nombreux régulateurs mécaniques. Le système réduit également les variations de vitesse pendant le chargement et le déchargement du moteur et réduit fortement la fluctuation de fréquence lorsque le moteur tourne avec des charges élevées.

Le système de régulation électronique comporte un moteur pas-à-pas (B), des timoneries de commande de papillon du moteur pas-à-pas (C) et une timonerie latérale de papillon (A). Le contrôleur contient un contrôleur numérique qui traite les informations de régime moteur et transmet les commandes appropriées au moteur pas-à-pas pour contrôler la position du papillon.

Étant donné que le système de régulation électronique règle la demande du papillon en fonction de la charge du groupe électrogène, les codes d'entretien et/ou conditions suivants peuvent résulter d'un problème du système de régulation électronique :

- Le moteur ne démarre pas
- Surrégime
- Sous-fréquence
- Instabilité de la commande du moteur à vide

Pendant le dépannage d'une de ces conditions, utiliser l'essai de l'actionneur du contrôleur pour lancer une vérification du système de régulation électronique.

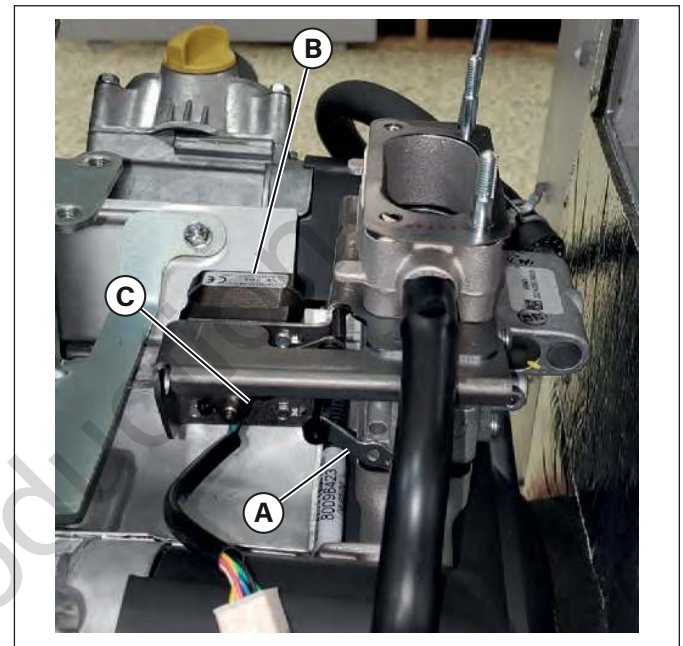


Figure 25

## Vérification de la régulation électronique

Le groupe électrogène comporte une fonction de vérification de la régulation électronique qui active le moteur pas-à-pas et déplace la timonerie du papillon dans le sens horaire et antihoraire dans les limites du papillon. L'essai fait tourner le moteur pas-à-pas et déplace le bras du papillon entre les limites de pleins gaz et de ralenti inactif pendant un maximum de dix secondes. Cette vérification permet de vérifier visuellement si le moteur pas-à-pas fonctionne correctement et si les timoneries de commande sont branchées. Le moteur ne démarrera pas pendant cet essai. Si le moteur pas-à-pas ne bouge pas ou si une timonerie se grippe, un entretien du groupe électrogène est nécessaire.

**NOTE**

Si le moteur pas-à-pas ne bouge pas, s'assurer que son connecteur est bien branché.

**Entretien des bougies****AVERTISSEMENT**

Une étincelle involontaire pourrait causer un incendie ou un choc électrique, entraînant la mort ou de graves blessures.

**PENDANT LES RÉGLAGES OU LES RÉPARATIONS SUR LE GROUPE ÉLECTROGÈNE -**

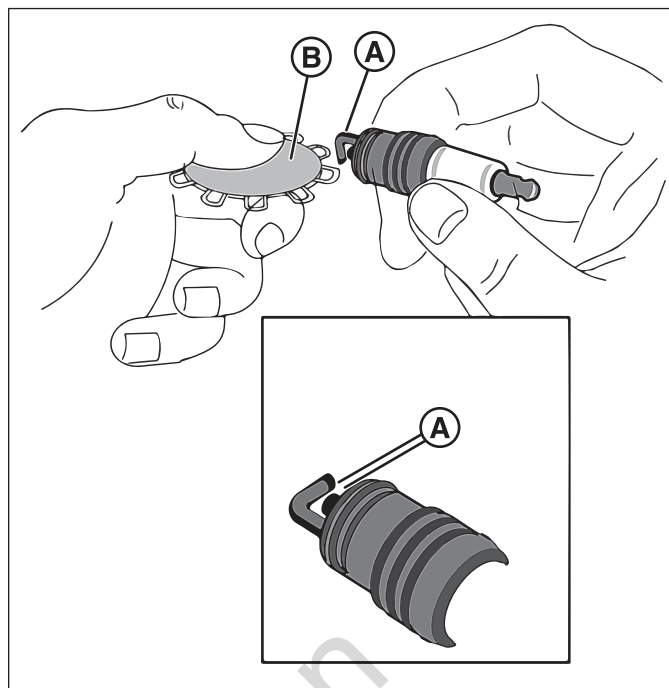
- Débrancher le câble de la bougie et le placer là il ne risque pas d'entrer en contact avec la bougie.

**POUR TESTER L'ÉTINCELLE DU MOTEUR -**

- Utiliser un testeur de bougies homologué.
- NE PAS vérifier l'étincelle si la bougie a été déposée.

Le remplacement des bougies facilite le démarrage du moteur et améliore son fonctionnement.

1. Appuyer sur l'interrupteur ON/OFF à l'arrière du groupe électrogène en position OFF (0).
2. Débrancher l'alimentation secteur du groupe électrogène pour mettre hors tension le chargeur de batterie.
3. Déverrouiller et ouvrir le toit selon les instructions de la section Panneaux d'accès.
4. Retirer le fusible de 15 A du porte-fusibles situé sous le contrôleur.
5. Débrancher le câble négatif (-) au niveau de la batterie.
6. Nettoyer le pourtour des bougies.
7. Déposer et examiner les bougies.
8. Vérifier l'écartement des électrodes (A) avec la jauge d'épaisseur à fils (B) et rétablir l'écartement des électrodes à la valeur recommandée si nécessaire (voir la section Spécifications du moteur).
9. Remplacer les bougies si les électrodes semblent piquées ou brûlées ou si des fissures apparaissent dans la porcelaine. Utiliser les bougies de rechange recommandées (voir la section Spécifications du moteur).
10. Installer les bougies et les serrer au couple de 180 in-lb (20 N·m).
11. Brancher le câble négatif (-) au niveau de la batterie.
12. Installer le fusible de 15 A dans le porte-fusibles.
13. Fermer et verrouiller le toit.
14. Rétablir l'alimentation de réseau vers le groupe électrogène.
15. Appuyer sur l'interrupteur ON/OFF à l'arrière du groupe électrogène en position ON (I).
16. Régler le mode du groupe électrogène sur **auto**.

**Figure 26**

## Filtre à air du moteur

**AVERTISSEMENT**   Les vapeurs de gaz sont extrêmement inflammables et explosives. Un incendie ou une explosion peut causer de graves brûlures ou la mort.

- **Ne jamais démarrer et faire tourner le moteur si l'épurateur d'air (si installé) ou le filtre à air (si installé) est déposé.**
1. Appuyer sur l'interrupteur ON/OFF à l'arrière du groupe électrogène en position OFF (0).
  2. Débrancher l'alimentation secteur du groupe électrogène pour mettre hors tension le chargeur de batterie.
  3. Déverrouiller et ouvrir le toit selon les instructions de la section Panneaux d'accès.
  4. Retirer le fusible de 15 A du porte-fusibles situé sous le contrôleur.
  5. Débrancher le câble négatif (-) de la batterie.
  6. Déposer la cartouche filtrante.
  7. Nettoyer le tube de sortie et vérifier la vanne de décolmatage (si installée). Utiliser un chiffon propre pour essuyer la surface d'étanchéité du filtre et les surfaces du tube de sortie. Éliminer tous les contaminants avant d'insérer le nouveau filtre. Ne pas endommager la zone d'étanchéité du tube. Vérifier et comprimer la vanne de décolmatage fixée au couvercle d'entretien et s'assurer qu'elle est flexible et qu'elle n'est pas inversée, endommagée ou colmatée.
  8. Nettoyer le filtre. Utiliser une brosse à soies souples pour déloger la saleté et un aspirateur pour éliminer la saleté et les débris. Remplacer la cartouche filtrante si des trous sont constatés dans la couche filtrante.
  9. Installer le filtre propre correctement en insérant le filtre avec précaution. Insérer le filtre à la main, en vérifiant qu'il est logé à fond dans le boîtier de filtre à air avant d'installer le couvercle.
  10. Installer le couvercle d'entretien. S'assurer que toutes les bagues, les colliers, les boulons de fixation et les raccords de l'ensemble du système de filtre à air sont bien serrés. Rechercher la présence de trous dans la tuyauterie et les réparer si nécessaire.
  11. Brancher le câble négatif (-) au niveau de la batterie.
  12. Installer le fusible de 15 A dans le porte-fusibles.
  13. Fermer et verrouiller le toit.
  14. Rétablir l'alimentation de réseau vers le groupe électrogène.
  15. Appuyer sur l'interrupteur ON/OFF à l'arrière du groupe électrogène en position ON (I).
  16. Régler le mode du groupe électrogène sur **auto**.

## Entretien du système d'échappement

**AVERTISSEMENT**  Tout contact avec la zone du silencieux peut causer des brûlures et entraîner des blessures graves.

- **NE PAS toucher les pièces chaudes et ÉVITER les gaz d'échappement chauds.**
- **Attendre que l'équipement refroidisse avant de le toucher.**

Pendant l'inspection du système d'échappement, vérifier les points suivants :

- Examiner le collecteur du système d'échappement au niveau de la culasse à la recherche de fuites.
- Vérifier que tous les boulons et les protections restantes (si utilisées) sont en place.
- Examiner les fixations entre le collecteur et le tuyau d'échappement pour vérifier qu'ils sont bien serrés et qu'il n'y pas de fuites de l'échappement. Réparer les fuites si nécessaire.
- Examiner le branchement du tuyau d'échappement à la recherche de fuites. Réparer les fuites si nécessaire.

L'utilisation ou le fonctionnement du moteur sans pare-étincelles sur le système d'échappement (tel que défini dans la section 4442) sur un terrain recouvert de forêts, de broussailles ou d'herbe, enfreint le Public Resource Code de la Californie, Section 4442. Le code précise également que le pare-étincelles doit être entretenu et en état de fonctionnement. D'autres états peuvent avoir des lois similaires. Voir Règlement fédéral 36 CFT Partie 261.52.

## Entretien du circuit de carburant

**AVERTISSEMENT**   Le propane et le gaz naturel sont extrêmement inflammables et explosifs et peuvent causer des brûlures, des incendies ou des explosions, entraînant la mort ou des blessures graves.

- **Examiner régulièrement le circuit de carburant.**
- **AUCUNE fuite n'est permise.**
- **NE PAS faire tourner le moteur s'il y a une odeur de carburant.**

## Régulateur de pression

Les composants du régulateur de pression ont été spécialement conçus et étalonnés pour répondre aux exigences du circuit de carburant du moteur.

Si le régulateur ne fonctionne pas ou présente une fuite, le réparer ou remplacer par les pièces de rechange correctes recommandées. Pendant l'inspection du régulateur, vérifier les points suivants :

- Rechercher des fuites de carburant au niveau des raccords d'entrée et de sortie.
- Rechercher des fuites de carburant dans le corps du régulateur.

- S'assurer que le régulateur est monté correctement et que les boulons de fixation sont bien serrés.
- Examiner le régulateur à la recherche de dommages externes.

## Dispositif de commande du mélangeur et du papillon

Les composants du mélangeur et du corps du papillon ont été spécialement conçus pour répondre aux exigences du circuit de carburant du moteur.

Un filtre à air sale peut fortement compromettre le rendement du mélangeur. S'assurer que le filtre à air est propre. Pendant l'inspection du mélangeur et du corps du papillon, vérifier les points suivants :

- Vérifier l'étanchéité de tous les raccords.
- S'assurer que le mélangeur et le corps du papillon sont solidement fixés.
- Examiner et nettoyer l'élément du filtre à air conformément aux intervalles d'entretien recommandés dans la section Programme d'entretien.
- Examiner le branchement et le collier de serrage du flexible d'admission d'air. Examiner le flexible à la recherche de fissures, de séparation ou d'abrasion. Remplacer le flexible selon les besoins.
- Rechercher la présence de fuites au niveau du papillon et du collecteur d'admission.

## Alarmes (système de détection de code d'entretien)

Le groupe électrogène fonctionne pendant de longues périodes sans la présence d'un opérateur. Par conséquent, le système est équipé de capteurs qui arrêtent automatiquement le groupe électrogène en conditions potentiellement dommageables, telles qu'une pression d'huile basse, une température élevée, une vitesse excessive ou d'autres conditions.

La description des alarmes d'entretien s'affiche sur l'écran numérique du contrôleur du groupe électrogène.

Voir la section Alarmes du manuel en ligne séparé intitulé *Operation Instructions GC1030 SERIES GENSET Controller* (référence 80086364) pour tout détail sur les descriptions des alarmes d'entretien.

## Acquittement et réinitialisation des alarmes (système de détection de code d'entretien)

Appuyer simultanément sur les flèches vers le haut et vers le bas (A) pour réinitialiser l'alarme.

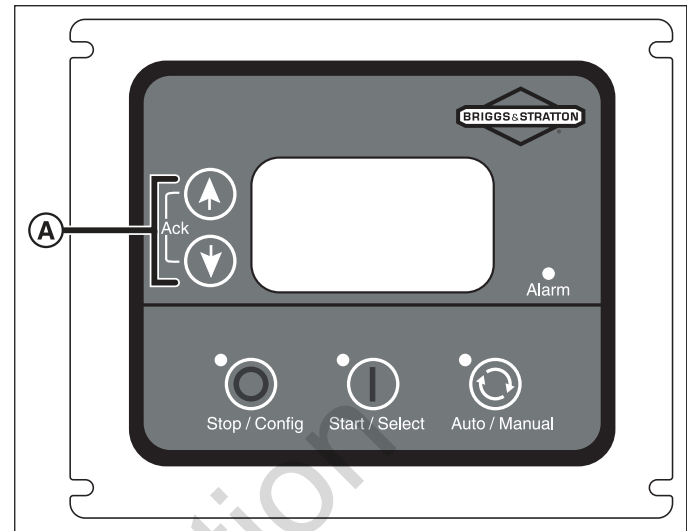


Figure 27

## Maintenance du circuit électrique

### Câblage et connexions

Le circuit électrique du groupe électrogène comporte des ordinateurs pour commander les différents composants. Les connecteurs et les masses du circuit électrique exigent des connexions sécurisées. Pendant l'inspection du circuit électrique, vérifier les points suivant :

- Examiner les câbles positif (+) et négatif (-) de la batterie à la recherche de corrosion, de frottement, d'abrasion et de brûlure. S'assurer que les connexions sont bien serrées aux deux extrémités.
- Examiner la batterie à la recherche de fissures ou de dommages du boîtier. Remplacer la batterie si nécessaire.
- Examiner le faisceau de câbles du moteur à la recherche de frottement, d'abrasion, de pincement, de brûlure et de fissures, et de ruptures dans le câblage.
- S'assurer que les connecteurs de faisceau du moteur sont verrouillés correctement.
- Examiner le fil de la bobine d'allumage à la recherche de durcissement, de fissures, d'abrasion, de brûlure, de séparation et de couvercles de gaine fissurés.
- Examiner les fils des bougies à la recherche de durcissement, de fissures, d'abrasion et de brûlures. Rechercher la présence de séparation et de couvercles de gaine fissurés.

- Remplacer les bougies aux intervalles nécessaires indiqués dans la section Programme d'entretien.
- S'assurer que tous les composants électriques sont solidement fixés au moteur ou au châssis.
- S'assurer que les éventuels services électriques additionnels installés par le propriétaire ont été installés correctement dans le système.

## Entretien de la batterie

L'entretien de la batterie doit être effectué, ou tout au moins supervisé, par une personne ayant une bonne connaissance des batteries et des précautions nécessaires. Maintenir le personnel non autorisé à l'écart des batteries.

### AVERTISSEMENT



**L'électrolyte de la batterie contient de l'acide et est extrêmement caustique. Tout contact avec le contenu de la batterie peut causer de graves brûlures chimiques.**

- **NE PAS ouvrir ou abîmer la batterie.**
- **Porter des lunettes de protection, un tablier en caoutchouc, des chaussures en caoutchouc et des gants en caoutchouc.**
- **Rincer immédiatement l'électrolyte avec de l'eau en cas de contact avec la peau.**
- **En cas de contact de l'électrolyte avec les yeux, rincer immédiatement avec de l'eau et consulter un médecin.**
- **Éliminer l'électrolyte déversé avec un agent de neutralisation à base d'acide.**

### AVERTISSEMENT



**Les batteries rechargeables dégagent de l'hydrogène explosif pendant la recharge. La moindre étincelle peut enflammer l'hydrogène et causer une explosion, entraînant la mort ou des blessures graves.**

- **NE PAS éliminer la batterie dans un feu. Recycler la batterie.**
- **ÉVITER les flammes nues, les étincelles, la chaleur ou une cigarette allumée dans la zone de la batterie pendant la procédure de charge de la batterie et pendant plusieurs minutes après la charge.**

### AVERTISSEMENT



**Un courant de court-circuit élevé de la batterie peut entraîner des blessures graves.**

- **Retirer les montres, les bagues et autres objets métalliques.**
- **Utiliser des outils munis de poignées isolantes.**
- **Débrancher la source de charge avant de brancher ou de débrancher les bornes de la batterie.**
- **Ne pas poser d'outils ou de pièces métalliques sur les batteries.**
- **Débrancher le câble négatif (-) au niveau de la batterie pendant l'installation et la maintenance.**

1. Appuyer sur l'interrupteur ON/OFF à l'arrière du groupe électrogène en position OFF (0).
2. Débrancher l'alimentation secteur du groupe électrogène pour mettre hors tension le chargeur de batterie.
3. Déverrouiller et ouvrir le toit selon les instructions de la section Panneaux d'accès.
4. Retirer le fusible de 15 A du porte-fusibles situé sous le contrôleur.
5. Débrancher le câble négatif (-) au niveau de la batterie.
6. Débrancher le câble positif (+) au niveau de la batterie.
7. Réparer ou remplacer la batterie selon les besoins.
8. Brancher le câble positif (+) au niveau de la batterie.
9. Brancher le câble négatif (-) au niveau de la batterie.
10. Installer le fusible de 15 A dans le porte-fusibles.
11. Fermer et verrouiller le toit.
12. Rétablir l'alimentation de réseau vers le groupe électrogène.
13. Appuyer sur l'interrupteur ON/OFF à l'arrière du groupe électrogène en position ON (I).
14. Régler le mode du groupe électrogène sur **auto**.

## Remplacement de la batterie

1. Appuyer sur l'interrupteur ON/OFF à l'arrière du groupe électrogène en position OFF (0).
2. Débrancher l'alimentation secteur du groupe électrogène pour mettre hors tension le chargeur de batterie.
3. Déverrouiller et ouvrir le toit selon les instructions de la section Panneaux d'accès.
4. Retirer le fusible de 15 A du porte-fusibles situé sous le contrôleur.
5. Débrancher le câble négatif (-) au niveau de la batterie.
6. Débrancher le câble positif (+) au niveau de la batterie.
7. Déposer la batterie et installer la batterie de rechange.



**NE PAS POLLUER. PRÉSERVER LES RESSOURCES. RETOURNER TOUTE BATTERIE USAGÉE À UN CENTRE DE RECYCLAGE.**

8. Brancher le câble positif (+) au niveau de la batterie.
9. Brancher le câble négatif (-) au niveau de la batterie.
10. Installer le fusible de 15 A dans le porte-fusibles.
11. Fermer et verrouiller le toit.
12. Rétablir l'alimentation de réseau vers le groupe électrogène.
13. Appuyer sur l'interrupteur ON/OFF à l'arrière du groupe électrogène en position ON (I).
14. Régler le mode du groupe électrogène sur **auto**.

## Charge de la batterie

Si nécessaire, recharger la batterie. La recharger en suivant les étapes ci-dessous :

1. Appuyer sur l'interrupteur ON/OFF à l'arrière du groupe électrogène en position OFF (0).
2. Débrancher l'alimentation secteur du groupe électrogène pour mettre hors tension le chargeur de batterie.
3. Déverrouiller et ouvrir le toit selon les instructions de la section Panneaux d'accès.
4. Retirer le fusible de 15 A du porte-fusibles situé sous le contrôleur.
5. Débrancher le câble négatif (-) au niveau de la batterie.

### NOTE

*Un câble négatif de batterie non débranché peut entraîner une défaillance de l'équipement. NE PAS essayer de faire démarrer le groupe électrogène avec un câble de démarrage. Les dommages aux équipements résultant du non-respect de cette instruction annuleront la garantie du moteur et du groupe électrogène.*

6. Recharger la batterie avec le chargeur de batterie à 2 A jusqu'à ce que la batterie atteigne 12 volts. NE PAS dépasser 13,7 volts pour recharger la batterie.

### NOTE

*NE PAS utiliser une batterie d'appoint pour recharger rapidement une batterie déchargée.*

7. Brancher le câble négatif (-) au niveau de la batterie.
8. Installer le fusible de 15 A dans le porte-fusibles.
9. Fermer et verrouiller le toit.
10. Rétablir l'alimentation de réseau vers le groupe électrogène.
11. Appuyer sur l'interrupteur ON/OFF à l'arrière du groupe électrogène en position ON (I).
12. Régler le mode du groupe électrogène sur **auto**.

## DÉPANNAGE

Consulter la section Alarmes du manuel en ligne séparé intitulé *Operation Instructions GC1030 GENSET Controller* (référence 80086364) pour tout détail sur la description et les causes des alarmes d'entretien.

### Dépannage

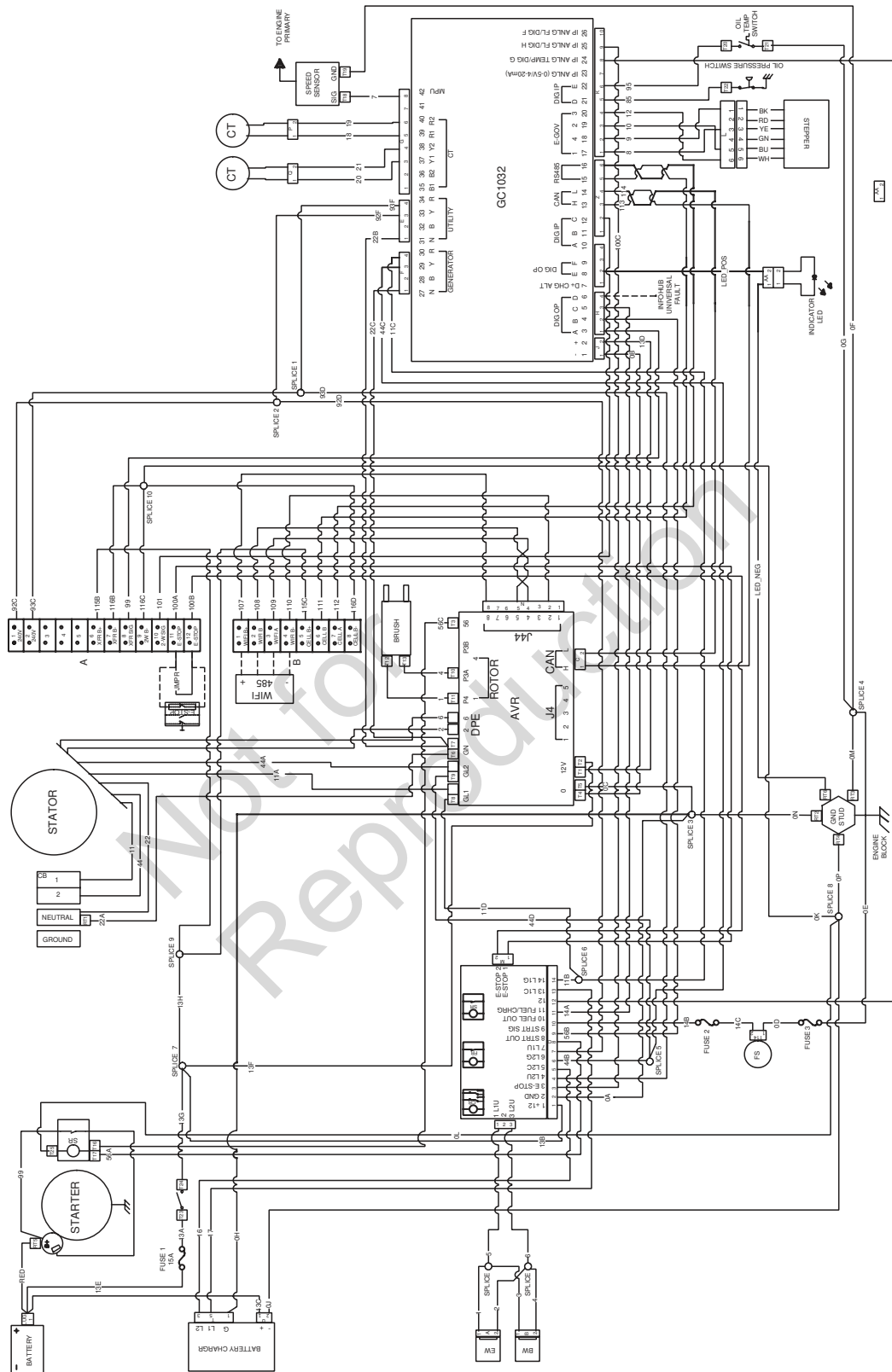
PROBLÈME	CAUSE	CORRECTION
Le moteur tourne, mais aucune sortie AC n'est disponible.	<ol style="list-style-type: none"> <li>1. Disjoncteur ouvert ou défectueux</li> <li>2. Une alarme sur le contrôleur du groupe électrogène</li> <li>3. Raccords de câblage incorrects ou inverseur de source défectueux</li> </ol>	<ol style="list-style-type: none"> <li>1. Réarmer ou remplacer le disjoncteur.</li> <li>2. Consulter le manuel en ligne séparé intitulé <i>Operation Instructions GC1030 SERIES GENSET Controller</i> (référence 80086364) pour plus de détails. Contacter le centre d'entretien local.</li> <li>3. Vérifier et le réparer ou contacter le centre d'entretien local.</li> </ol>
Le moteur tourne bien à vide mais "fatigue" lorsque des charges sont raccordées.	<ol style="list-style-type: none"> <li>1. Groupe électrogène surchargé</li> <li>2. Court-circuit dans une charge raccordée</li> <li>3. Circuit d'alternateur en court-circuit</li> <li>4. Pression ou mélange incorrect de carburant</li> <li>5. Conduite de carburant coudée entre le régulateur et le moteur</li> <li>6. Filtre à air colmaté</li> </ol>	<ol style="list-style-type: none"> <li>1. Retirer une charge ou plus.</li> <li>2. Débrancher la charge électrique en court-circuit.</li> <li>3. Contacter le centre d'entretien local.</li> <li>4. Voir la section Système de carburant gazeux.</li> <li>5. Supprimer le coude. Remplacer la conduite si nécessaire.</li> <li>6. Nettoyer ou remplacer le filtre à air.</li> </ol>
Le moteur ne démarre pas ou démarre mais tourne mal.	<ol style="list-style-type: none"> <li>1. Fusible de 15 A manquant ou grillé</li> <li>2. Fusible(s) thermique(s) grillé(s)</li> <li>3. Alimentation en carburant coupée ou épuisée</li> <li>4. Sélection de carburant incorrect</li> <li>5. Batterie défectueuse</li> <li>6. Filtre à air colmaté</li> <li>7. Grippage de la timonerie du papillon</li> </ol>	<ol style="list-style-type: none"> <li>1. Installer un nouveau fusible de 15 A. Voir la section Contrôleur du système. Remplacer le(s) fusible(s) thermique(s)</li> <li>2. Remplacer le(s) fusible(s) thermique(s)</li> <li>3. Ouvrir le(s) robinet(s) de carburant et vérifier le réservoir de propane.</li> <li>4. Vérifier le sélecteur de carburant et le régler correctement (s'il y a lieu).</li> <li>5. Remplacer la batterie.</li> <li>6. Nettoyer ou remplacer le filtre à air.</li> <li>7. Vérifier la timonerie.</li> </ol>
Le moteur s'arrête pendant le fonctionnement.	<ol style="list-style-type: none"> <li>1. Alimentation en carburant coupée ou épuisée</li> <li>2. Alarme affichée sur l'écran numérique du contrôleur</li> </ol>	<ol style="list-style-type: none"> <li>1. Vérifier les robinets de carburant et remplir le réservoir de propane.</li> <li>2. Consulter le manuel en ligne séparé intitulé <i>Operation Instructions GC1030 SERIES GENSET Controller</i> (référence 80086364) pour plus de détails.</li> </ol>

PROBLÈME	CAUSE	CORRECTION
Les circuits perdent de la puissance.	<ol style="list-style-type: none"> <li>Disjoncteur d'alternateur ouvert</li> <li>Problèmes de l'inverseur de source</li> </ol>	<ol style="list-style-type: none"> <li>Réarmer le disjoncteur.</li> <li>Consulter le manuel de l'inverseur de source.</li> </ol>
Le groupe ne fonctionne pas.	<ol style="list-style-type: none"> <li>Le contrôleur n'est pas réglé sur <b>auto</b>.</li> <li>La minuterie de fonctionnement n'est pas réglée ou est réglée sur OFF.</li> <li>La date et l'heure du groupe électrogène ne sont pas réglées.</li> <li>Batterie défectueuse.</li> <li>Fusible de 15 A manquant ou grillé.</li> </ol>	<ol style="list-style-type: none"> <li>Appuyer sur le bouton <b>auto</b> sur le contrôleur.</li> <li>Régler la minuterie de fonctionnement.</li> <li>Régler la date et l'heure du groupe.</li> <li>Remplacer la batterie.</li> <li>Installer un nouveau fusible de 15 A. Voir la section Contrôleur du système. Remplacer le(s) fusible(s) thermique(s)</li> </ol>
Le groupe électrogène subit des vibrations excessives.	Fixation mécanique desserrée.	Vérifier et la réparer ou contacter le centre d'entretien local.
L'alimentation de réseau est rétablie et le groupe électrogène ne s'arrête pas.	<ol style="list-style-type: none"> <li>Fusibles grillés dans l'inverseur de source.</li> <li>Le refroidissement de cinq minutes est toujours en cours.</li> <li>Branchement incorrect des fils ou régulateurs défectueux.</li> </ol>	<ol style="list-style-type: none"> <li>Installer de nouveaux fusibles.</li> <li>Attendre cinq minutes.</li> <li>Vérifier et réparer le groupe ou contacter le centre d'assistance local.</li> </ol>
Problèmes possibles dans le mode <b>manuel</b> .	-	Consulter le Tableau 7 (Défauts communs et actions correctives) dans le manuel en ligne séparé intitulé <i>Operation Instructions GC1030 SERIES GENSET Controller</i> (référence 80086364) pour plus de détails.
Problèmes possibles dans le mode <b>automatique</b> .	-	Consulter le Tableau 7 (Défauts communs et actions correctives) dans le manuel en ligne séparé intitulé <i>Operation Instructions GC1030 SERIES GENSET Controller</i> (référence 80086364) pour plus de détails.
Problèmes possibles au niveau de la régulation électronique.	-	Consulter le Tableau 7 (Défauts communs et actions correctives) dans le manuel en ligne séparé intitulé <i>Operation Instructions GC1030 SERIES GENSET Controller</i> (référence 80086364) pour plus de détails.

Appeler le 800-732-2989 ou visiter [www.briggsandstratton.com](http://www.briggsandstratton.com) pour toute assistance.



# PLANS ET SCHÉMAS



# SPÉCIFICATIONS

## Spécifications du groupe électrogène

		17 kW	20 kW	26 kW
Intensité de fonctionnement, réserve (GPL/GN) (A)		70.8/70.8 A	83.3/83.3 A	108.3/100 A
Tension nominale AC		120/240 V		
Phase		Mono		
Fréquence		60 Hz		
Disjoncteur de groupe électrogène		80 A	100 A	125 A
Température ambiante de fonctionnement		-20° - 104° F (-28° - 40° C)		
Poids emballé		520 lb (240 kg)	520 lb (240 kg)	625 lb (285 kg)
Niveau sonore selon ISO 3744. Micro le plus bas à 23 pi (7 m) à la charge indiquée	Mode ralenti bas	65 dB(A)	65 dB(A)	63 dB(A)
	Fonctionnement normal	68 dB(A)	68 dB(A)	65 dB(A)

## Spécifications du moteur

Cylindrée	60,60 ci (993 cm <sup>3</sup> )
Alésage	3,405 in (86,5 mm)
Course	3,366 in (85,5 mm)
Écartement des électrodes	0,030 in (0,76 mm)
Couple de bougie	180 lb-in (20 N·m)
Entrefer de l'induit	.005-.008 in (.13-.20 mm)
Jeu de soupape d'admission	.004-.006 in (.10-.15 mm)
Jeu de soupape d'échappement	.007-.008 in (.15-.20 mm)
Type d'huile	5W-30 entièrement synthétique
Capacité d'huile (avec filtre)	78-80 oz (2,30-2,40 L)
Boulon de capot latéral du moteur	220 lb-in (25 N·m)

Not for  
Reproduction



Not for  
Reproduction