

BESTLIFT™

PL400 | FULL BODY PATIENT LIFT

The BestLift™ PL400 is one of the latest ProCare products. Ergonomically designed to reduce and eliminate back injuries among professional caregivers. Providing comfort and dignity for users.



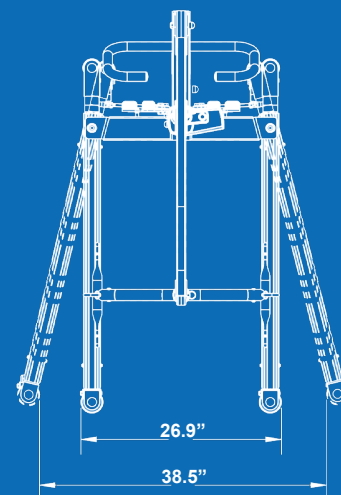
- **400lb** capacity
- Lift from floor and over high beds
- 6-point spreader bar for extra comfort
- Full electric lift with optional spare battery
- Optional Scale

| DIMENSIONS

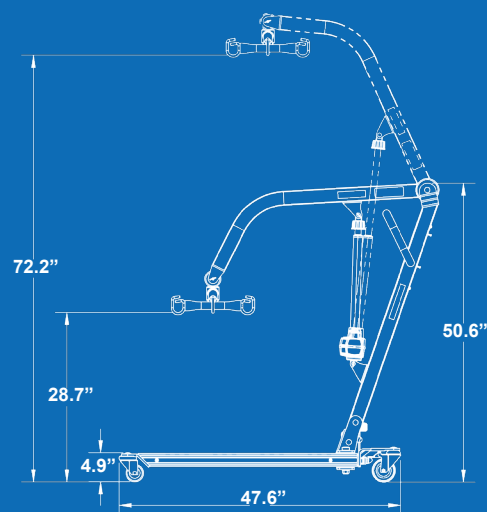
Key dimensions of PL400	
maximum capacity	400Lb / 182Kg
external base width (closed)	26.9"
internal leg width (opened)	38.5"
upright mast height	50.6"
overall base length	47.6"
base height	4.9"
minimum lifting height with spreader bar	28.7"
maximum lifting height with spreader bar	72.2"
net weight	97lb / 44kgs
shipping weight	121lb / 54.9kgs

* SPECIFICATIONS PROVIDED ARE A GENERAL GUIDELINE AND ARE SUBJECT TO CHANGE WITHOUT NOTICE

| PL400



TOP VIEW OF PL400



SIDE VIEW OF PL400