

EZ Wood Deck Anchor

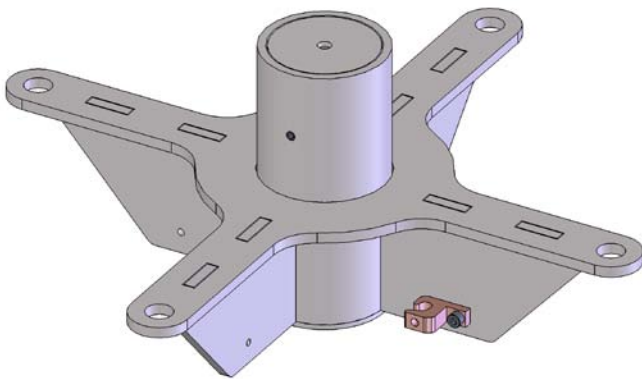
PART #: F-30600

MANDATORY

LEAVE THIS MANUAL WITH LIFT OWNER

Read and follow all instructions.
Lift safety can only be ensured if the lift is installed and operated according to these instructions.

- NEVER permit children to play on or around the lift
- Do not allow children to use the lift without adult supervision
- NEVER apply direct water pressure to the electronics
- NEVER use the lift with a dry pool



READ CAREFULLY

Check entire box and all packing materials for parts. Before beginning assembly, read the instructions and identify parts using the figures and parts listed in this document.

It is critical that all parts be carefully inspected prior to installation. If any damage occurred in transit, Aqua Creek Products, LLC must be notified within three days of receipt of unit.

Proper installation cannot be overstressed, as an improper installation voids Aqua Creek's warranty and may affect the safety of the user.

Packing List & Installation Instructions

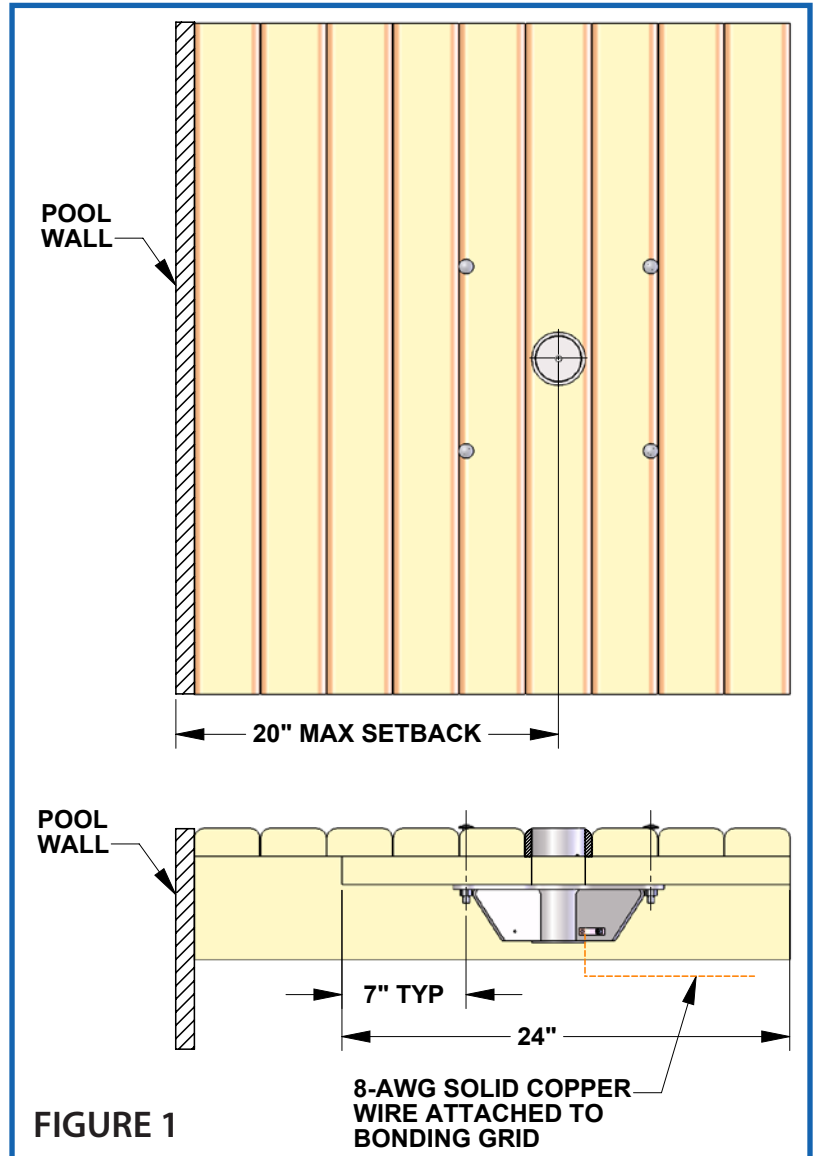
PACKING LIST:

QTY	DESCRIPTION
1	WOOD DECK ANCHOR
1	TAMPER RESISTANT LID

INSTALLATION INSTRUCTIONS:

1. Find the desired location for the lift. The setback (the distance from the center of the anchor to the pool wall) must be 20" or less as shown in FIGURE 1.
2. Reinforce the deck using 2X6 material as shown in FIGURE 2, FIGURE 3 and FIGURE 4. The reinforcing boards should be about 2-feet long so they extend at least 7" past the mounting bolts on each side as shown in FIGURE 1.
3. Drill a 3" hole through the decking at the desired location for the body of the anchor.
4. Place the WOOD DECK ANCHOR in the 3" hole (upside down) and spin it until the four (4) mounting holes line up in a square pattern parallel with the joists & reinforcing boards as shown in FIGURE 1. Mark the four (4) mounting-bolt hole locations. Remove the anchor.
5. Drill 7/16" holes at the marked locations. Make sure to drill straight down, perpendicular to the deck, all the way through the deck and the reinforcing boards.
6. Install the WOOD DECK ANCHOR using four (4) 3/8" x 4" carriage bolts and 3/8" locking nuts (not included).

NOTE: For thick decks the bolts might need to be longer.



***NOTE:** Bond anchor to bonding grid with 8-AWG solid copper wire per local electrical codes as required.

