

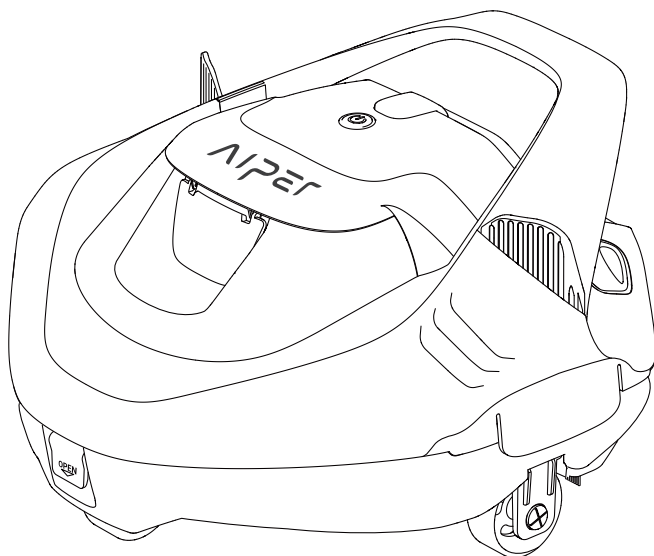
EN

AIPER®

# ROBOTIC POOL CLEANER

## User Manual

Aiper Seagull SE





Thank you for choosing Aiper.

You've now joined a family of millions who have already put their trust in Aiper to take care of their pools and are enjoying the convenience of a pristinely clean pool.

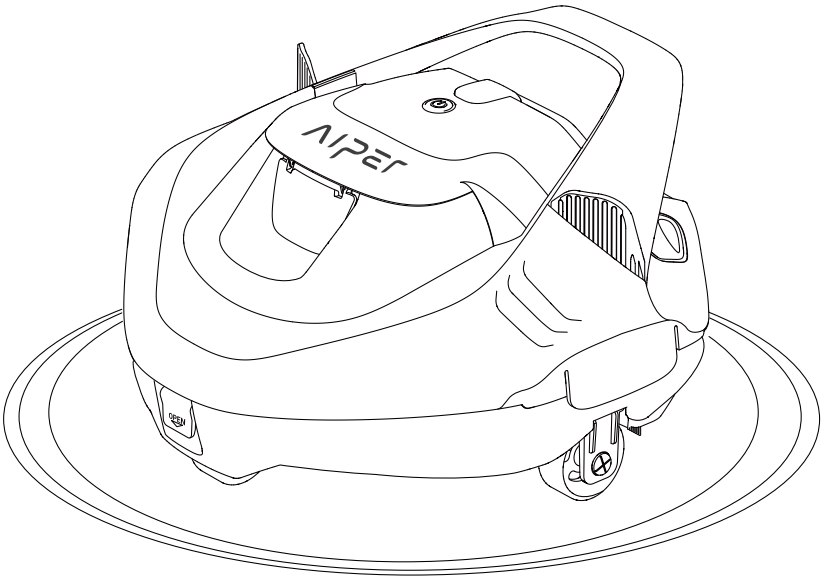
This user manual will help you maintain your Aiper Seagull SE and ensure it performs at its maximum efficiency for years to come. Please take a few moments to read through.

If you have any questions, please visit our website at [www.Aiper.com](http://www.Aiper.com) and contact our customer service team for assistance or more information.

### **Aiper Customer Service:**

Email: [Service@Aiper.com](mailto:Service@Aiper.com)

Facebook: [@AiperOfficial](https://www.facebook.com/AiperOfficial)



# CONTENTS

Important Safety Precautions -----	1
1. Structure -----	2
2. Specifications & Working Conditions -----	3
3. Using Your Aiper Pool Cleaner -----	4
4. Cleaning the Filter Tray -----	9
5. Maintenance & Storage -----	10
6. Light Indicator -----	14
7. Packing List -----	14
8. Warranty -----	15

## Important Safety Precautions

Please read this manual carefully and use your Aiper Seagull SE in accordance with the manual instructions. Aiper is not liable for any losses or injuries caused by improper use of this device.

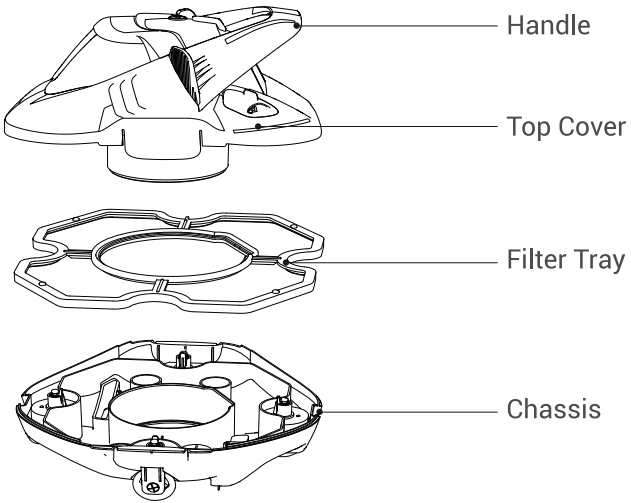
### **Please strictly follow the instructions below.**

1. Do not operate your Aiper Seagull SE while people or animals are in the pool.
2. Turn the cleaner off while not in use or while performing maintenance.
3. Do not allow children to ride the Aiper Seagull SE under any circumstances. Please supervise children when they are around an operational Aiper Seagull SE.
4. Use only authorized Aiper power adapters.
5. The adapter cord should only be replaced by a qualified electrician or Aiper Customer Care.
6. It's suggested to plug the power adapter into a power strip or surge protector and not directly into an electrical outlet.
7. Ensure the charging port is dry before charging.
8. While charging, your Aiper Seagull SE should be kept in a cool place. Do not cover your Aiper Seagull SE while charging as this may cause components to overheat.
9. Do not run your Aiper Seagull SE out of the water as it may lead to overheating.
10. Only certified professionals should disassemble the sealed driving kit of your Aiper Seagull SE.
11. Do not operate your Aiper Seagull SE and pool filter simultaneously.
12. The oil sealing around the motor contains grease, which may cause a small amount of water pollution if the motor is damaged. If you believe there is a leak, stop using the unit immediately.
13. Do not pierce the shell of your Aiper Seagull SE, throw, or damage the cleaner intentionally.

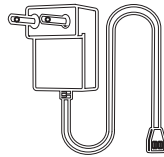
**KEEP THESE PRECAUTIONS**

Please read this user manual carefully before using it.

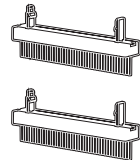
**1. Structure**



Retrieval Hook



Charger



Brushes

## 2. Specifications & Working Conditions

1. Pool Size: 850 sq.ft/80m<sup>2</sup> Flat Floor Pools
2. Charger Input: 100~240V, 50/60Hz
3. Charger Output: 12.6V/1.8A
4. Charging Time: 2.5 Hours
5. Run Time: 90 Minutes
6. IP Grade: IPX8 Waterproof
7. Max Water Depth: 10ft (3m)

### CAUTION:

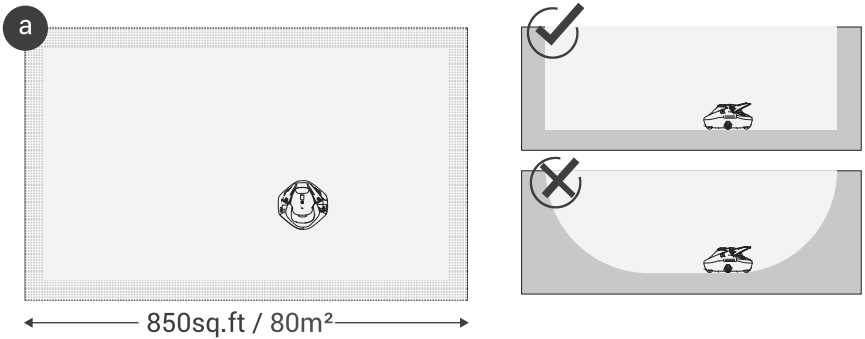
Your Aiper Seagull SE is best used in the water conditions detailed below.

- Temperature: 50-95°F (10-35°C)
- pH Value: 7.0-7.4
- Chlorine: Maximum 4 ppm
- NaCl: Maximum 5000 ppm

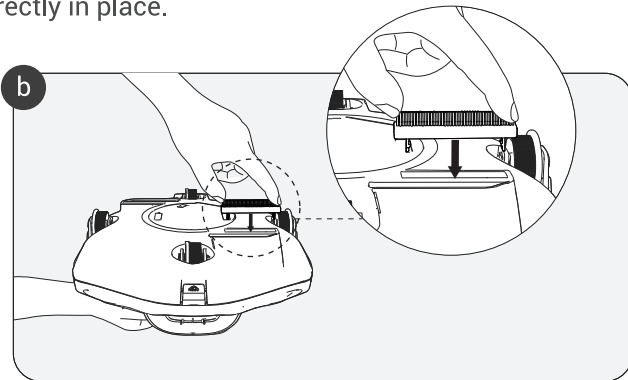
### 3. Using Your Aiper Pool Cleaner

#### 3.1 Using Steps

- a. The Aiper Seagull SE was designed to clean swimming pools that have flat floors and no slopes up to 850 sq.ft/80m<sup>2</sup>.



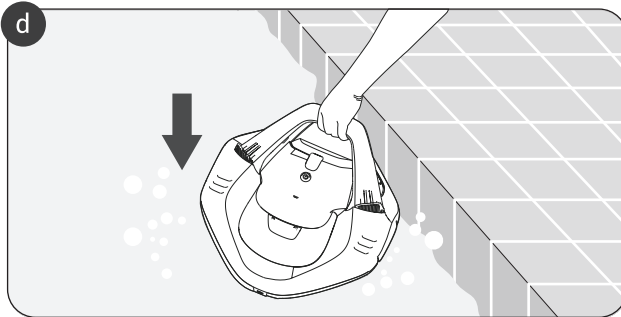
- b. Tightly insert the two included brushes into the slots at the bottom of your Aiper Seagull SE. You will hear a clicking sound when the brushes are correctly in place.





c. Power off your Aiper Seagull SE after use.

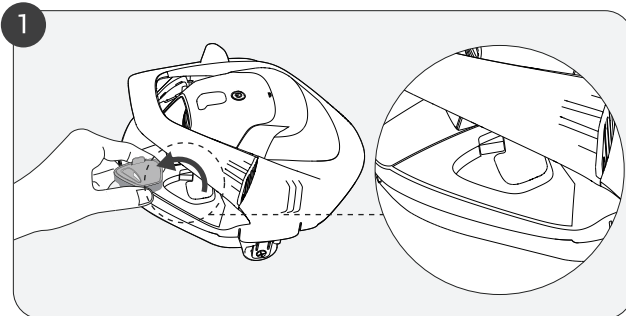
d. Lift from the pool with the bottom of the Aiper Seagull SE facing the wall.

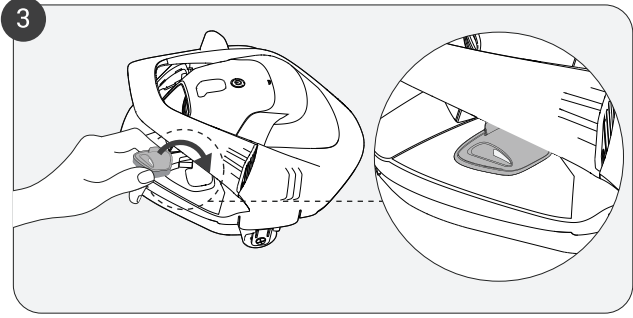
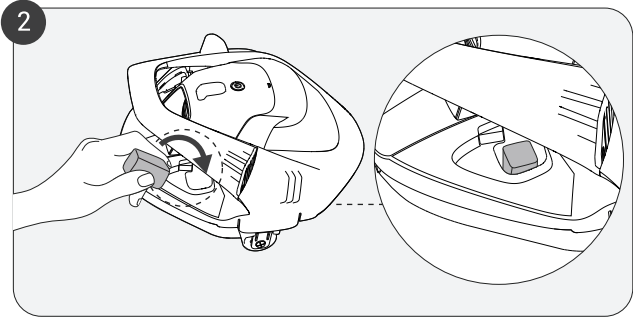


### Optional:

Open the rear of the machine to install the chemical dispenser.

1. Open the shell.
2. Insert the one-inch tablet. (Tablet is not provided)
3. Close the shell.

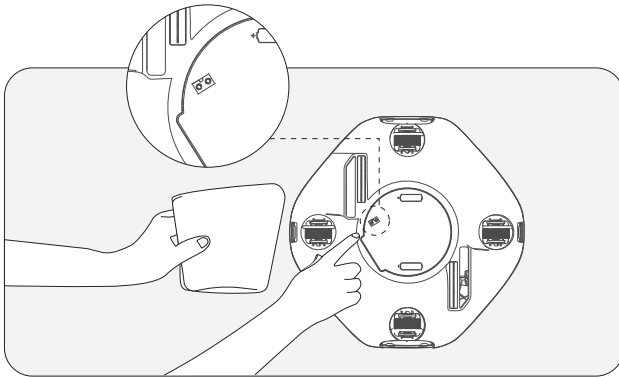




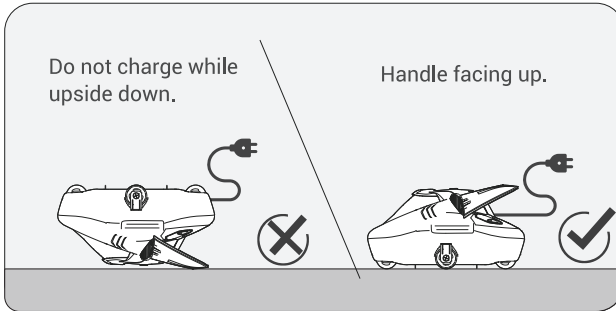
### 3.2 Charging

Fully charge your Aiper Seagull SE before using it to clean your pool.

- Power off your Aiper Seagull SE before charging.
- Clean and dry the charging port before plugging.



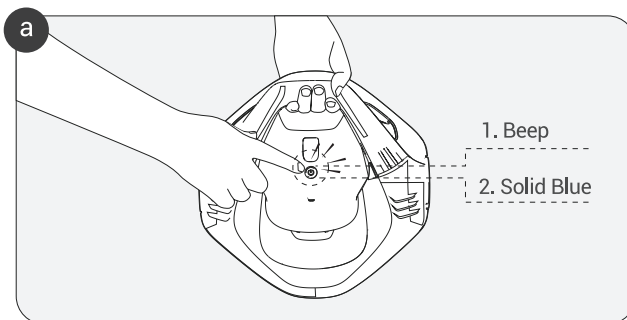
When charging, ensure your device is right side up to prevent damaging the handle.



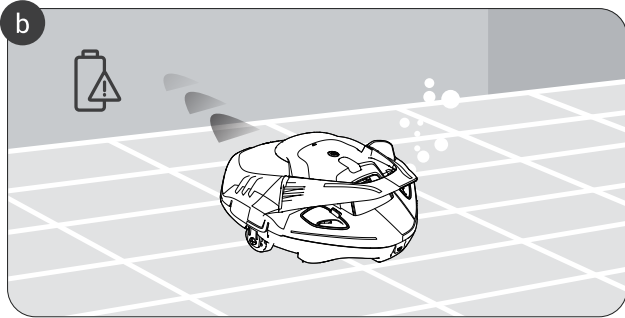
- Blue light flashing slowly indicates the battery is charging.
- A solid blue light ON indicated that charging is completed.

### 3.3 Working

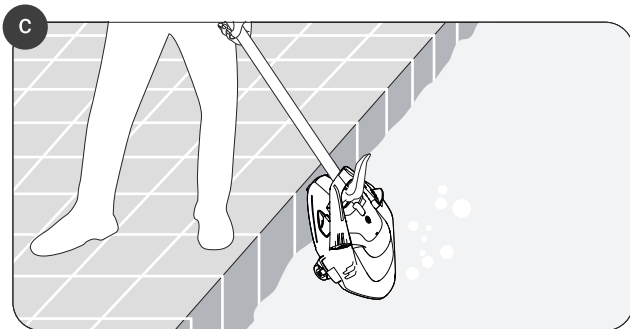
- a. Press and hold the power button until the blue indicator light stays on and the Aiper Seagull SE beeps. Place your Aiper Seagull SE into the water for 30 seconds. Your Aiper Seagull SE will begin working within five seconds of reaching your pool floor.



b. When the battery is low, the indicator will slowly flash red and automatically stop alongside the pool wall. The indicator will flash red for 60 seconds before powering off.

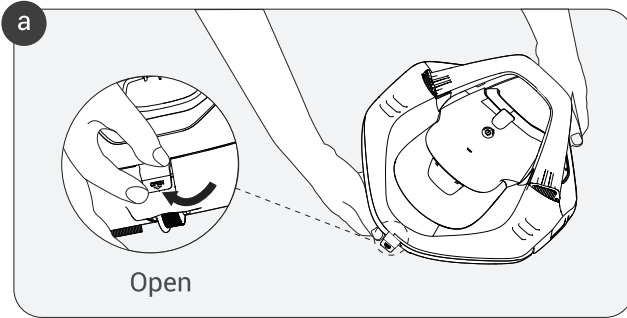


c. Attach the included retrieval hook to your pool pole to lift your Aiper Seagull SE out of the water.

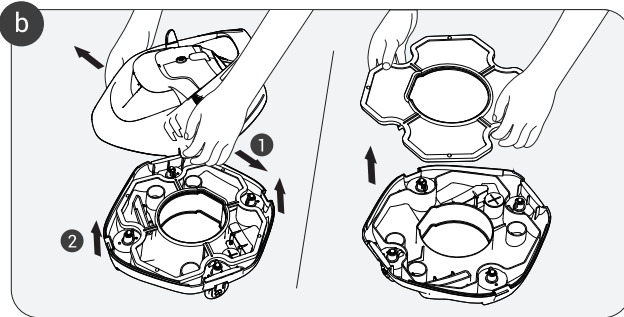


## 4. Cleaning the Filter Tray

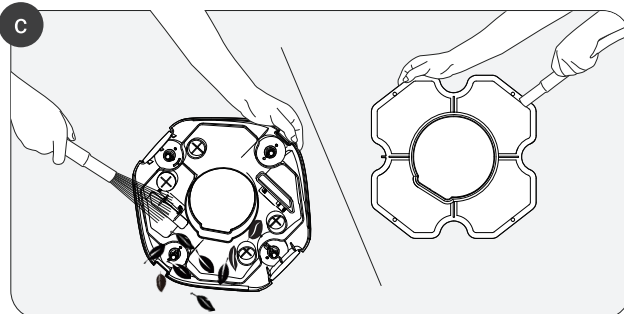
a. Open the two small buckles on the front and back of Aiper Seagull SE.



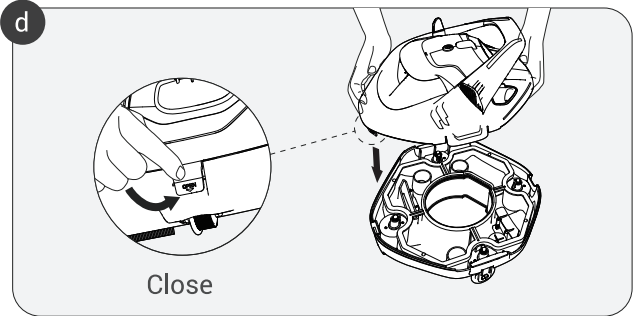
b. Gently pull the sides of the shell outward before lifting the Aiper Seagull SE's shell up to access the filter tray.



c. Remove the tray and dump the collected debris from the bottom of the Aiper Seagull SE's shell, then wash the shell and filter tray with water.

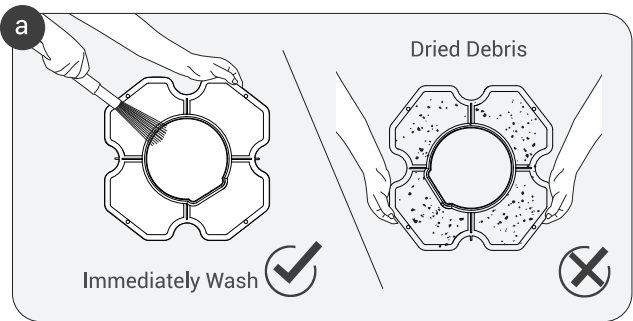


- d. After cleaning your Aiper Seagull SE, replace the filter tray and secure the shell using the buckles.



## 5. Maintenance & Storage

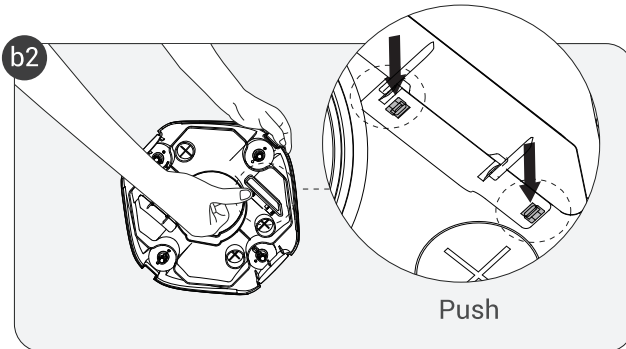
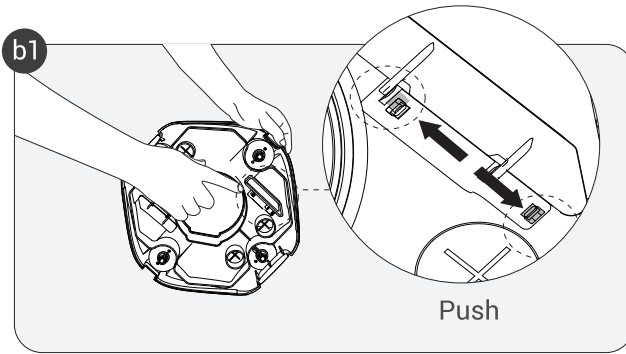
- a. Always wash the filter tray immediately after use. Dried debris may cause blockage and affect performance if debris is not washed and removed in a timely manner.



## b. Brush Replacement

If a brush becomes worn out, follow the steps below.

1. Remove the shell of your Aiper Seagull SE and locate the brush position.
2. Using a small tool or finger, push the two small locking pins to the side as indicated in the diagram below.

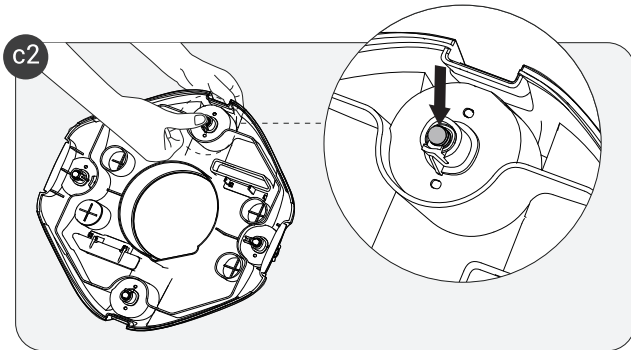
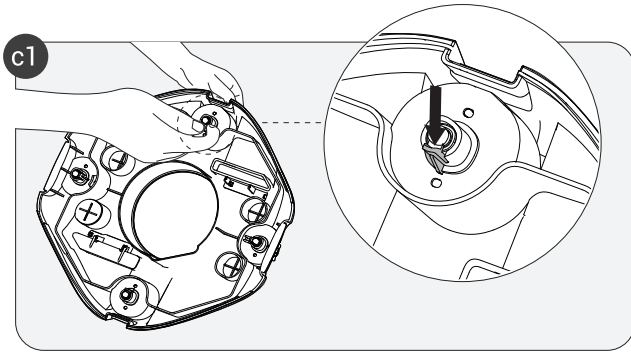


3. Press the locking pins down to release the brush.
4. Insert a new brush into the bottom slot of the cleaner. (Replacement brushes are not included)

c. Wheel Replacement

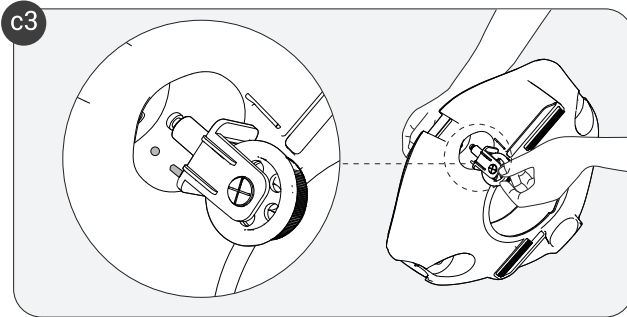
If one of your Aiper Seagull SE's wheels breaks, follow the steps below.

1. Remove the shell of your Aiper Seagull SE and find the location of the broken wheel.
2. Using a tool or your finger, push the wheel buckle until it bends slightly, then press on the wheel stem as indicated in the diagram below.

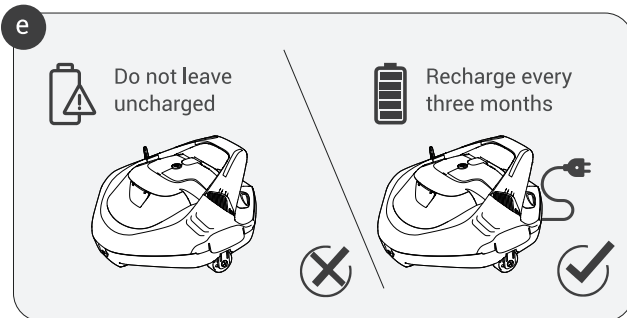




3. Insert the new wheel stem by first aligning it with the two small holes of the wheel socket. You should hear a clicking sound when the wheel has locked in place.



- d. The Aiper Seagull SE should be stored in a cool, well-ventilated place away from direct sunlight.
- e. If you need to store the Aiper Seagull SE for a prolonged period, we recommend you charge it every three months between 40%-60% to maintain battery health. Only use an authorized power adapter. If your Aiper Seagull SE is not charged for a long time, battery discharge and battery voltage may act in unintended ways which could cause fatal damage.



## 6. Light Indicator

NO.	Working Status	Light Indicator
1	Power ON/Battery Level	Blue light stays on/Blue light numbers
2	Power OFF	Lights OFF
3	Working (Motors Running)	White light stays on
4	Charging	Blue light flashes slowly
5	Charging Completed	Blue light stays on
6	Low Battery Warning	Red light flashes slowly
7	Impeller Blocked	Red and green lights flash in turn
8	Water Immersed	Red and blue lights flash in turn
9	Power Failure	Blue light flashes fast

## 7. Packing List

NO.	Name	Model	QTY(pc)
1	Cleaner	Aiper Seagull SE	1
2	Charger		1
3	Retrieval Hook		1
4	User Manual		1
5	Brushes		2
6	Spare Wheels		2

## 8. Warranty

This product has passed quality control and safety test conducted by our technicians.

1. This product comes with a 12-month warranty that covers your item's battery and motor from the date of purchase.
2. This warranty is voided if the product has been altered, misused, or has been repaired by unauthorized persons.
3. This warranty extends only to manufacturing defects and does not cover damage resulting from the mishandling of the product by the owner.
4. The order number or record of purchase must be presented at the request of any repair claim during the warranty period.



AIPEER®

[www.aiper.com](http://www.aiper.com)