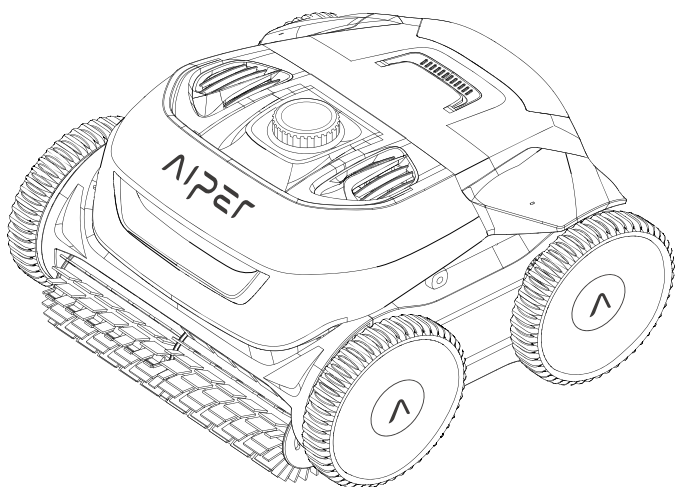


# AIPER®

## ROBOTIC POOL CLEANER

### User Manual

Aiper Seagull Pro



# CONTENTS

---

English .....	1-19
Deutsch .....	20-38
Français .....	39-57
Español .....	58-76
Italia .....	77-95
Português .....	96-114

---

Thank you for choosing Aiper.

You've now joined a family of millions who have already put their trust in Aiper to take care of their pools and are enjoying the convenience of a pristinely clean pool.

This user manual will help you maintain your Aiper pool cleaner and ensure it performs at its maximum efficiency for years to come. Please take a few minutes to read through this manual.

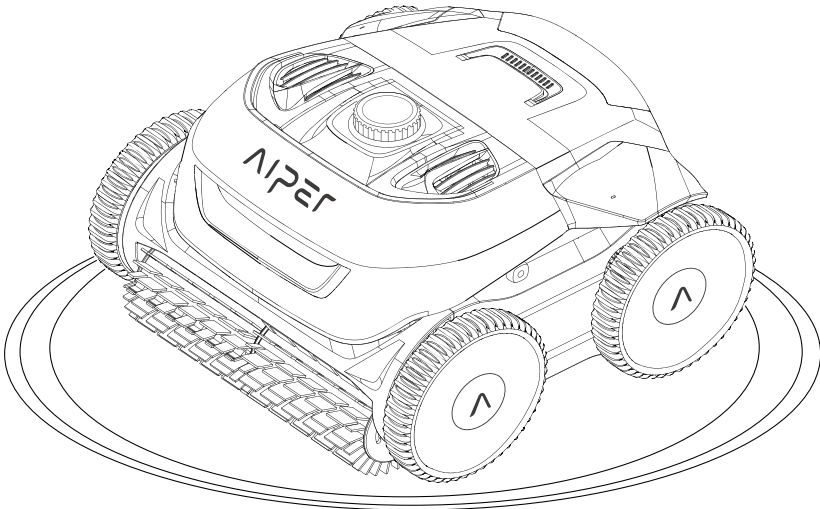
If you have any questions, please visit our website at [www.Aiper.com](http://www.Aiper.com) and contact our customer service team for assistance or more information.

### **Aiper Customer Service:**

DE Toll-Free: +49 302 178 3684

Email: [Service@Aiper.com](mailto:Service@Aiper.com)

Facebook: [@AiperOfficial](https://www.facebook.com/AiperOfficial)



# English

## CONTENTS

Important Safety Precautions .....	3
1. Structure .....	4
2. Specifications & Working Conditions .....	5
3. Using Your Aiper Pool Cleaner .....	6
4 Installation .....	6
5. Operating Your Device .....	8
6. Disassembly and Cleaning .....	10
7. Charging .....	12
8. Maintenance & Storage .....	13
9. LED Indicator .....	16
10. Packing List .....	18
11. Warranty .....	19

## Important Safety Precautions

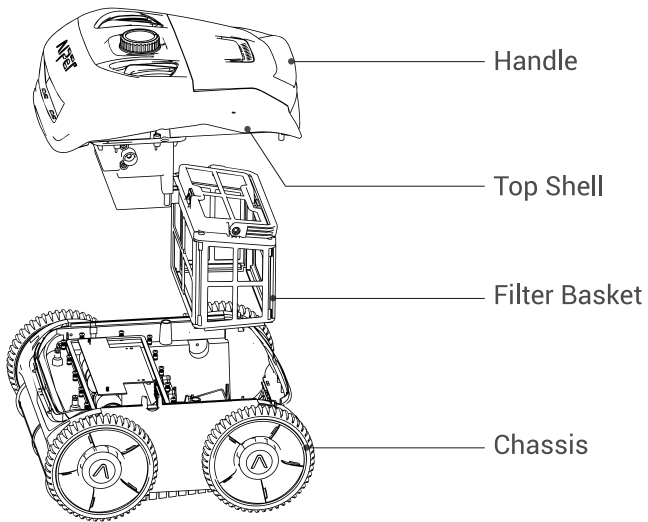
Please read this manual carefully and use your Aiper pool cleaner in accordance with the manual instructions. Aiper is not liable for any losses or injuries caused by improper use of this device.

**For your safety and optimal performance of this device, please read and follow the following suggestions.**

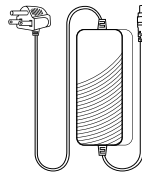
1. Do not operate your Aiper pool cleaner while people or animals are in the pool.
2. Turn the cleaner off while not in use or while performing maintenance.
3. Do not allow children to ride the Aiper pool cleaner under any circumstances. Please supervise children when they are around an operational Aiper pool cleaner.
4. Use only authorized Aiper power adapters.
5. The adapter cord should only be replaced by a qualified electrician or Aiper Customer Care.
6. It's suggested to plug the power adapter into a power strip or surge protector and not directly into an electrical outlet.
7. Ensure your device is powered off and the charging port is dry before charging. While charging, your Aiper pool cleaner should be kept in a cool place. Do not cover your Aiper pool cleaner while charging as this may cause components to overheat.
8. Please store the machine indoors or in a cool place when not in use.
9. Do not run your Aiper pool cleaner out of the water as it may lead to overheating.
10. Only certified professionals should disassemble the sealed driving kit of your Aiper pool cleaner.
11. Do not operate your Aiper pool cleaner and pool filter simultaneously.
12. The oil sealing around the motor contains grease, which may cause a small amount of water pollution if the motor is damaged. If you believe there is a leak, stop using the unit immediately.
13. Do not pierce the shell of your Aiper pool cleaner, throw, or damage the cleaner intentionally.
14. When putting your device into the water, the front of the machine must face upwards and should never be placed upside down or directly thrown into the swimming pool.

Please read this user manual carefully before operating the device.

**1. Structure**



Retrieval Hook



Charger

## 2. Specifications & Working Conditions

1. Pool Size: 300m<sup>2</sup>
2. Charger Input: 100-240V, 60/50Hz, 5A
3. Charger Output: 29.4V/9A
4. Charging Time: 90 Minutes
5. Battery Life: 180 Minutes
6. IP Grade: IPX8 Waterproof
7. Max Water Depth: 10ft (3m)
8. Motor Power: 70W
9. Battery Pack: 9000mAh
10. Battery Pack Voltage: 25.2V

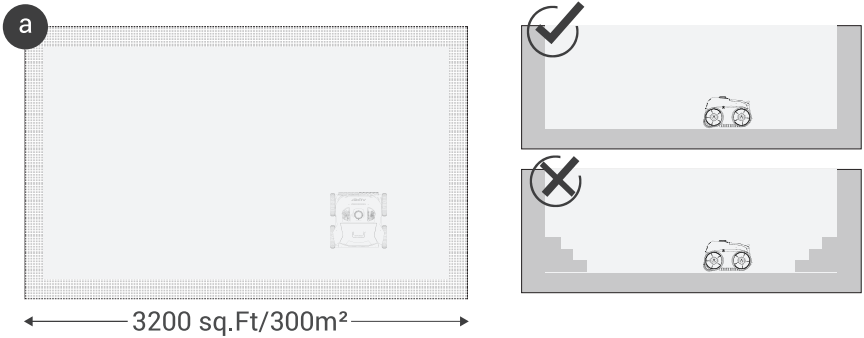
### **CAUTION:**

Your Aiper pool cleaner is best used in the water conditions detailed below.

- Temperature: 50-95°F (10-35°C)
- pH Value: 7.0-7.4
- Chlorine: Maximum 4 ppm
- NaCl: Maximum 5000 ppm

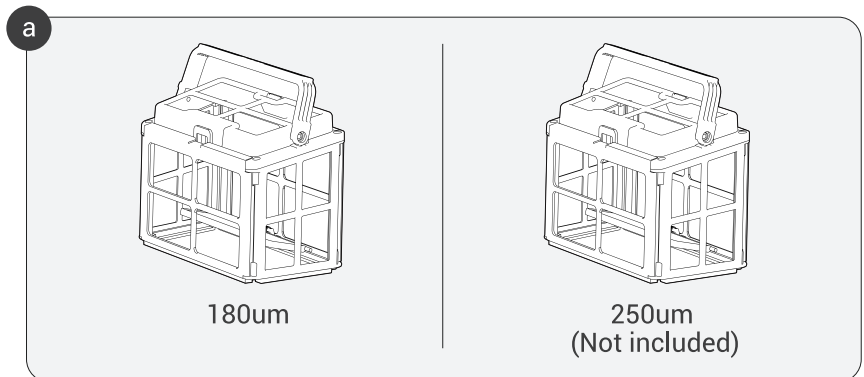
### 3. Using Your Aiper Pool Cleaner

- a. The machine is suitable for cleaning flat floor pools, walls, and water lines up to 300m<sup>2</sup>.



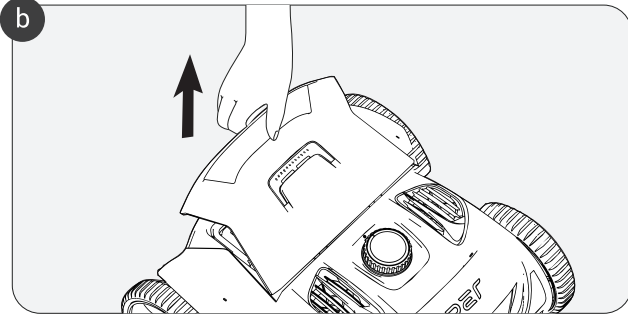
### 4. Installation

- a. Select the filter basket that suits your needs.

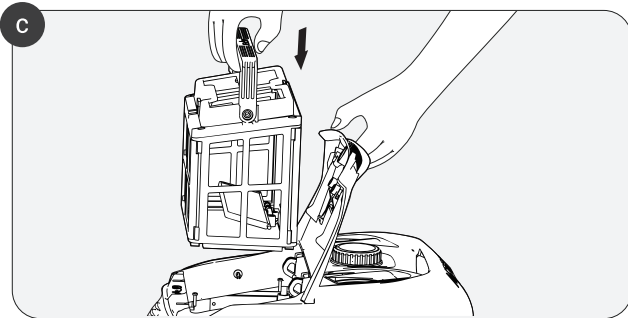




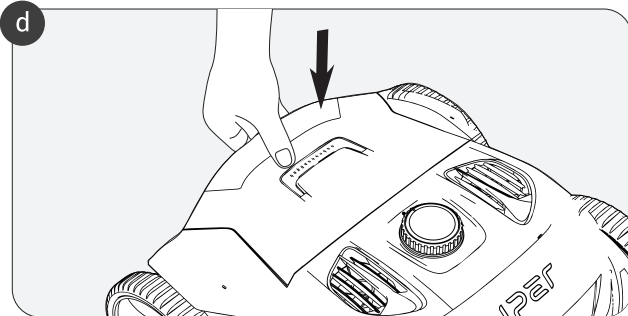
b. Lift the tail end of the upper shell to open and gain access to the interior of the device.



c. Insert the filter basket into the open slot as indicated in the graphic.

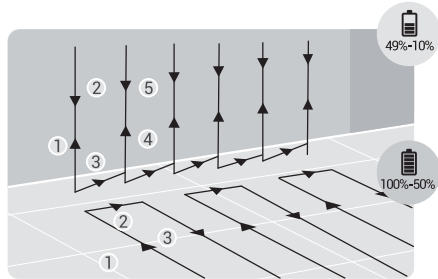
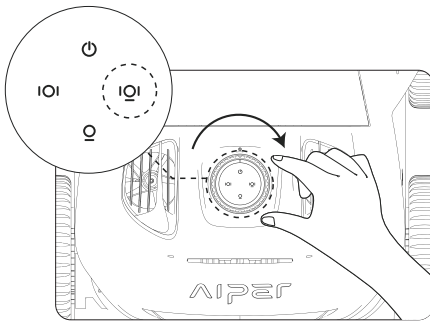


d. After installing the filter basket, press down on the tail of the upper shell to close the device.



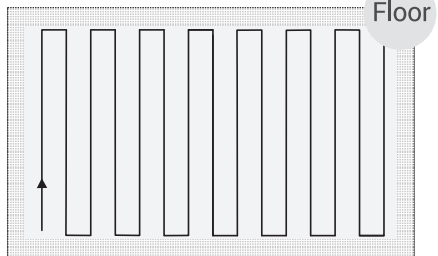
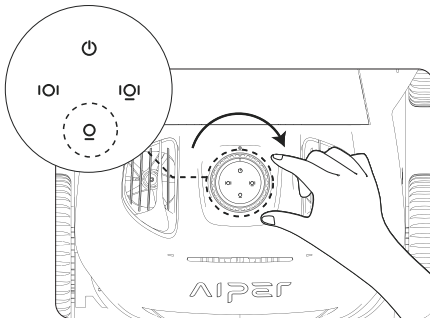
## 5. Operating Your Device

- a. Turn the dial clockwise to activate each cleaning mode. There are three cleaning modes to choose from.



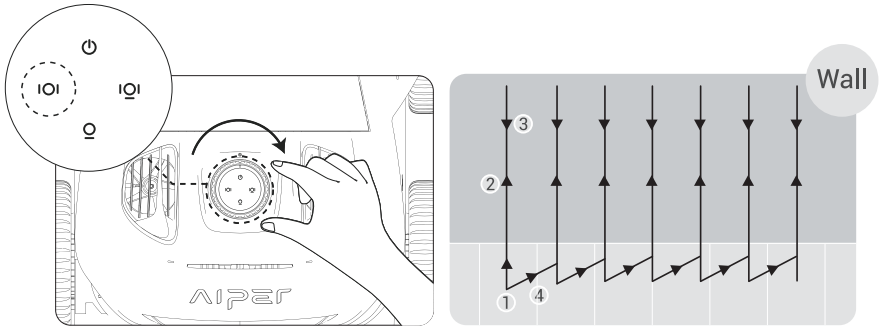
### **Auto Mode: Floor and Wall Cleaning**

The machine will clean the pool floor and wall in turn. After cleaning the pool floor, wall cleaning will be conducted. When the battery reaches below 10%, the machine will stop cleaning and remain parked near the wall of your pool.



### **Floor Cleaning Mode**

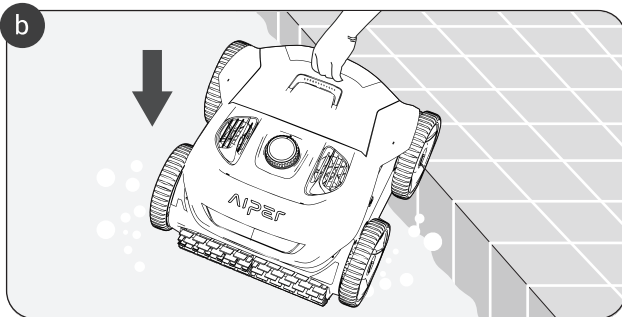
The machine will clean the pool floor along the "S"-shaped route (WavePath™ Navigation Technology ) without climbing the wall.



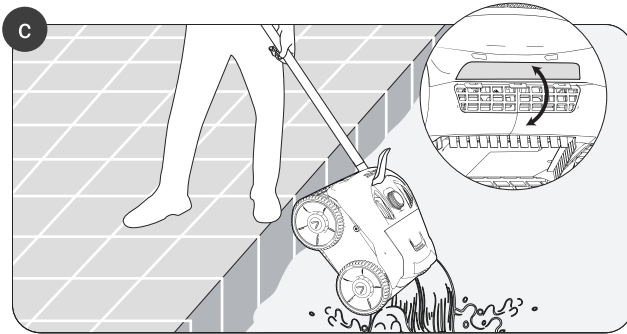
**Wall Cleaning Mode**

The machine will clean the wall along the "N"-shaped route.  
No floor cleaning will be carried out under this mode.

- b. Place your device into your pool. Your device will begin cleaning within 10 seconds of reaching your pool's floor.

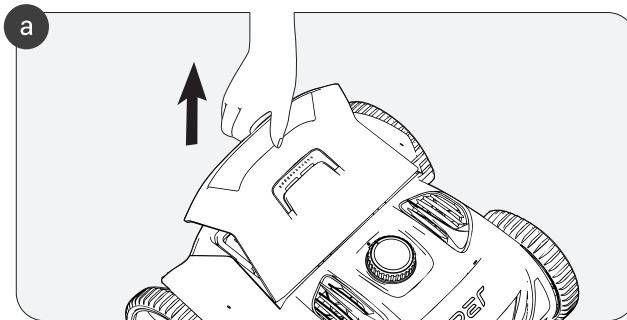


- c. After completing its cleaning cycle, or when the battery is low, your device may be retrieved from the pool using the provided hook. The unique design of the spring plate allows for rapid drainage of the device when taken out of the pool.

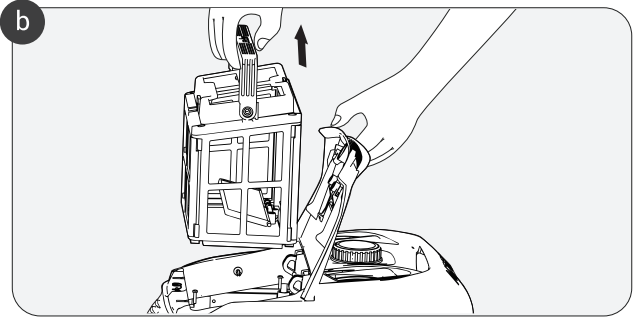


## 6. Disassembly and Cleaning

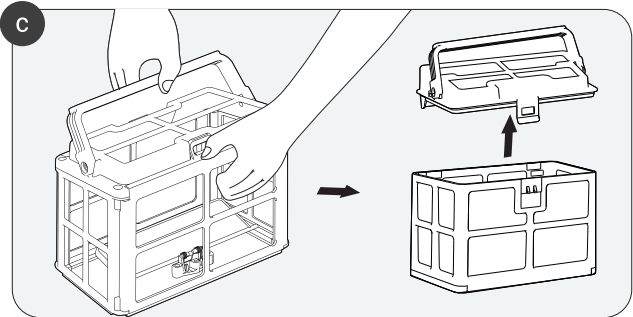
- a. Lift the rear end of the top shell to check the filter basket.



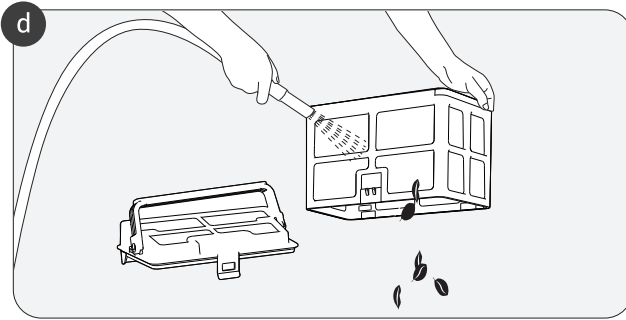
b. Detach the fasteners to release the basket from the device.



c. Open the tab of the filter basket.



- d. Remove any trash, wash the filter basket with water, and reinsert the filter basket into the device.

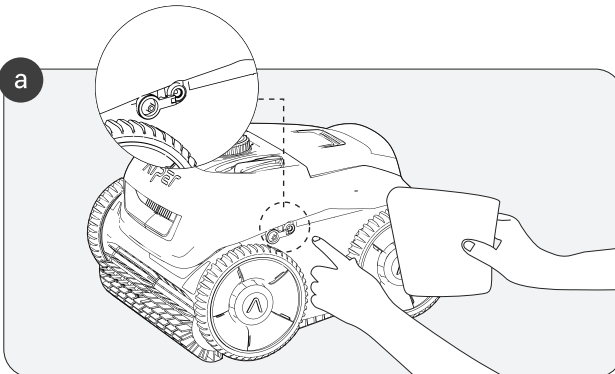


## 7. Charging

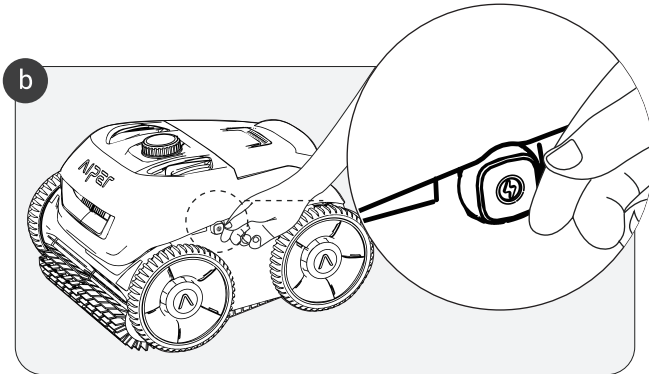
### a. Charging

Fully charge your Aiper pool cleaner before using it to clean your pool.

- Switch off the power before charging, otherwise the device cannot be recharged, and a rapid alarm will be activated.
- Please remove the silicone plug before charging.
- Wipe dry the charging port before charging your device.



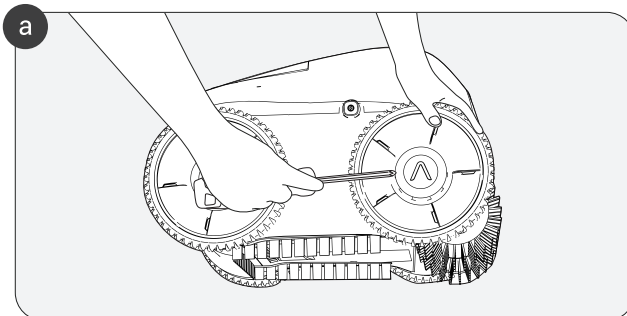
b. Please plug the silicone plug back in after charging or before cleaning your pool.



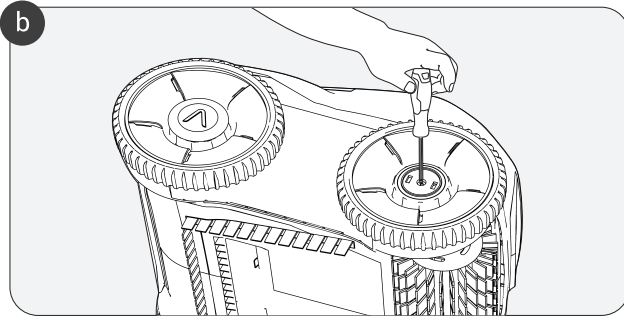
## 8. Maintenance & Storage

### 8.1 Replacement Instructions for wheel

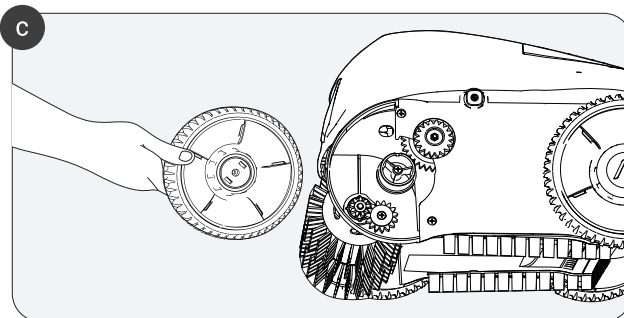
a. Lift up the wheel cover marked with an "A."



b. Remove the screws fixed to the wheel.



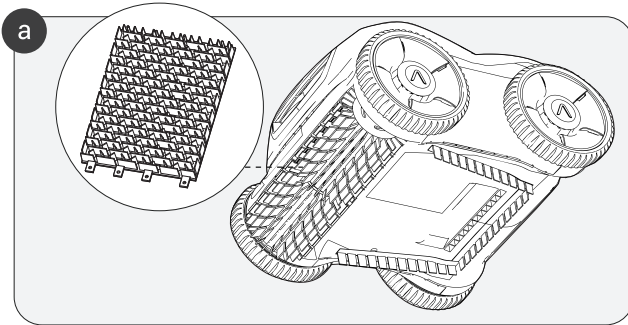
c. Remove the shaft and sleeve cover of the wheel for complete disassembly.



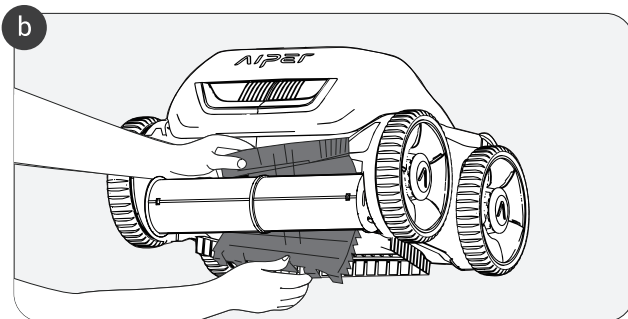


## 8.2 Replacement Instructions for Rolling Brush Belt

- a. Locate the back side of the rolling brush belt and peel back the silicone buckle attached to the mounting slot.



- b. Once all the silicone buckles are removed, replace the rolling brush belt with a new one. Align the silicone buckles with the mounting slots, and press to secure the buckles into each slot.



**9. LED Indicator**

Machine Condition		Indicator Condition	Sound	Description	
Battery State		The corresponding mode indicator and ring indicator are always on.	A "ding" sound will occur every time the button is turned.	The indicators color will relate to the device's battery status.	Green: >90%
					Blue: 50-89%
					Yellow: 10-49%
					Red: < 9%
Charging	Operating Properly	The Switch icon indicator is always on; the ring indicator flashes slowly.	No sound.	<p>When charging, the ring indicator will flash different colors corresponding to the appropriate battery states.</p> <p>After being fully charged, the machine will automatically stop charging, and the ring indicator will turn green.</p>	
	Operating Improperly	The mode indicator is off.	Constant and rapid alarm	<p>If the switch icon indicator is disabled or a cleaning mode is enabled, the mode indicator will turn on, the ring indicator is off and the machine is not charging.</p> <p>To charge the device, turn the button to the switch icon.</p>	

Machine Condition		Indicator Condition	Sound	Description	
Mode Selection		The mode indicator is always on.	A "ding" sound will occur every time the button is turned.	<ol style="list-style-type: none"> <li>1. Turn the button clockwise to select the cleaning mode: Auto (Floor+Wall), Floor Only, or Wall Only.</li> <li>2. Turn button back counterclockwise to the original position to power off your device.</li> </ol>	
Operation	Normal	The mode indicator and the ring indicator are always on.	No sound.	The ring indicator will be in different colors corresponding to the battery status.	Green: >90%
	Abnormal	The ring indicator is always on in red.	Constant and rapid alarm.		Failure: electrical leakage, water blockage, etc.
Yellow: 10-49%					
Red: < 9%					
Shutdown Indication		All indicators are off.	A "ding" sound.	Turn the button back counterclockwise to the original position and your device will shut down.	

**10. Packing List**

<b>NO.</b>	<b>Name</b>	<b>Model</b>	<b>QTY(pc)</b>
1	Cleaner	Seagull Pro	1
2	Charger	/	1
3	Retrieval Hook	/	1
4	User Manual	/	1
5	Filter Basket	/	1

## 11. Warranty

This product has passed quality control and safety test conducted by our technicians.

1. This product comes with a warranty that covers your item's battery and motor from the date of purchase. The respective country's legal provisions for warranty conditions shall apply accordingly.
2. This warranty is voided if the product has been altered, misused, or has been repaired by unauthorized persons.
3. This warranty extends only to manufacturing defects and does not cover damage resulting from the mishandling of the product by the owner.
4. The order number or record of purchase must be presented at the request of any repair claim during the warranty period.



### Declaration of Conformity (CE)

The EU declaration of conformity can be requested via the address below:  
 Tiger-Zhou UG(haftungsbeschränkt) Handelsregister:Leipzig HRB 37896  
 Shuknowstr.6 04347 Leipzig,

AIPEER®

[www.aiper.com](http://www.aiper.com)