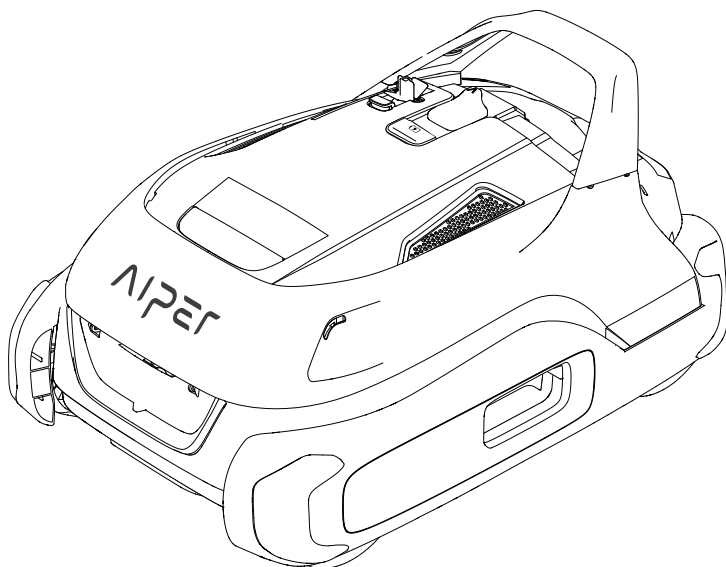


# AIPER®

## ROBOTIC POOL CLEANER

### User Manual

**Aiper Seagull Plus**



# CONTENTS

---

English .....	1-15
Deutsch .....	16-30
Français .....	31-45
Español .....	46-60
Italia .....	61-75
Português .....	76-90

---

Thank you for choosing Aiper.

You've now joined a family of millions who have already put their trust in Aiper to take care of their pools and are enjoying the convenience of a pristinely clean pool.

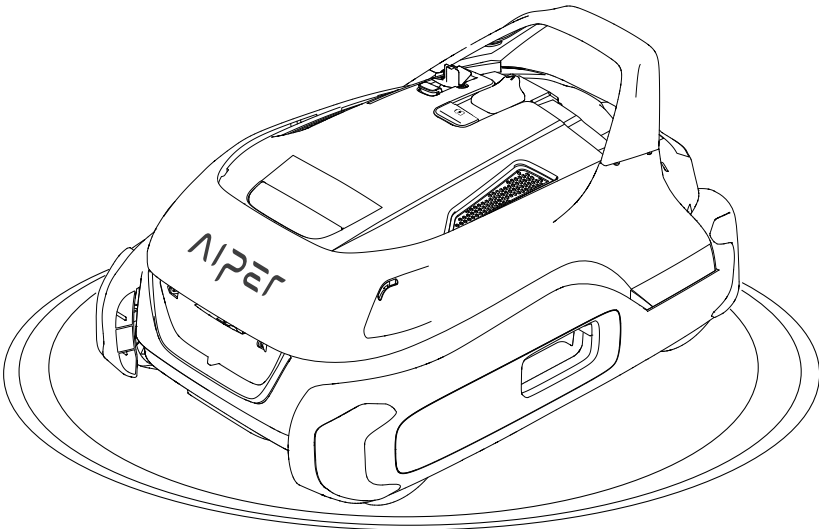
This user manual will help you maintain your Aiper pool cleaner and ensure it performs at its maximum efficiency for years to come. Please take a few minutes to read through this manual.

If you have any questions, please visit our website at [www.Aiper.com](http://www.Aiper.com) and contact our customer service team for assistance or more information.

### **Aiper Customer Service:**

Email: [Service@Aiper.com](mailto:Service@Aiper.com)

Facebook: [@AiperOfficial](https://www.facebook.com/AiperOfficial)



# English

## CONTENTS

Important Safety Precautions -----	3
1. Structure -----	4
2. Specifications & Working Conditions -----	5
3. Using Your Aiper pool cleaner -----	6
4. Installation -----	6
5. Disassembly and cleaning -----	9
6. Operation -----	10
7. LED Indicator -----	13
8. Precautions -----	14
9. Packing List -----	15
10. Warranty -----	15

**⚠ Important Safety Precautions**

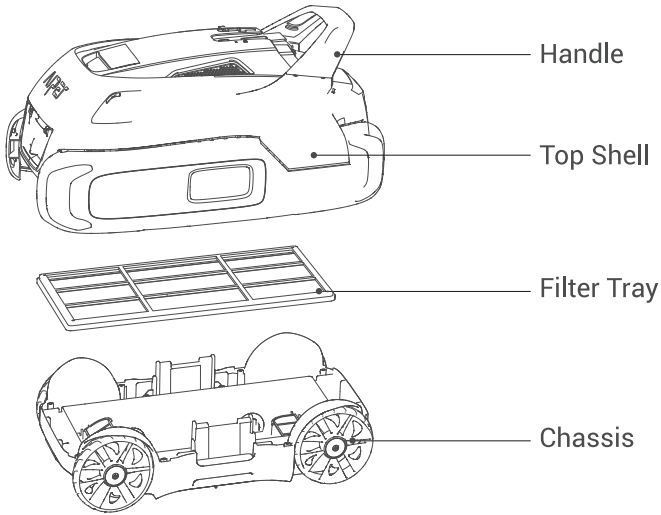
Please read this manual carefully and use your Aiper pool cleaner in accordance with the manual instructions. Aiper is not liable for any losses or injuries caused by improper use of this device.

**Please strictly follow the instructions below.**

1. Do not operate your Aiper pool cleaner while people or animals are in the pool.
2. Turn the cleaner off while not in use or while performing maintenance.
3. Do not allow children to ride the Aiper pool cleaner under any circumstances. Please supervise children when they are around an operational Aiper pool cleaner.
4. Use only authorized Aiper power adapters.
5. The adapter cord should only be replaced by a qualified electrician or Aiper Customer Care.
6. It's suggested to plug the power adapter into a power strip or surge protector and not directly into an electrical outlet.
7. Ensure the charging port is dry before charging.
8. While charging, your Aiper pool cleaner should be kept in a cool place. Do not cover your Aiper pool cleaner while charging as this may cause components to overheat.
9. Do not run your Aiper pool cleaner out of the water as it may lead to overheating.
10. Only certified professionals should disassemble the sealed driving kit of your Aiper pool cleaner.
11. Do not operate your Aiper pool cleaner and pool filter simultaneously.
12. The oil sealing around the motor contains grease, which may cause a small amount of water pollution if the motor is damaged. If you believe there is a leak, stop using the unit immediately.
13. Do not pierce the shell of your Aiper pool cleaner, throw, or damage the cleaner intentionally.

Please read this user manual carefully before using it.

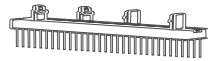
## 1. Structure



Retrieval Hook



Charger



Brush

## 2. Specifications & Working Conditions

1. Pool Size: 120m<sup>2</sup> Flat Floor Pools
2. Charger Input: 100-240V, 50/60Hz
3. Charger Output: 12.6V/3.5A
4. Charging Time: 2.5 Hours
5. Battery Life: 110 Minutes
6. IP Grade: IPX8 Waterproof
7. Max Water Depth: 10ft (3m)
8. Motor power: 60W
9. Battery pack: 7800mAh
10. Battery pack voltage: 10.8V

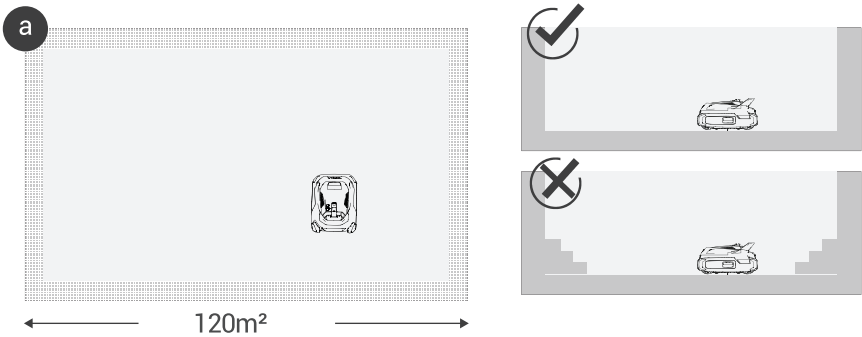
### **CAUTION:**

Your Aiper pool cleaner is best used in the water conditions detailed below.

- Temperature: 50-95°F (10-35°C)
- pH Value: 7.0-7.4
- Chlorine: Maximum 4 ppm
- NaCl: Maximum 5000 ppm

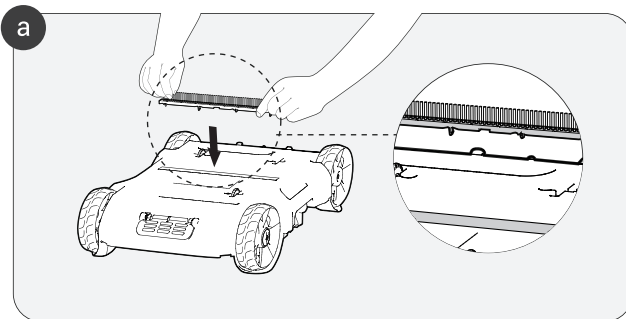
### 3. Using Your Aiper Pool Cleaner

- a. The Aiper pool cleaner was designed to clean swimming pools that have flat floors and no slopes up to 120m<sup>2</sup>.



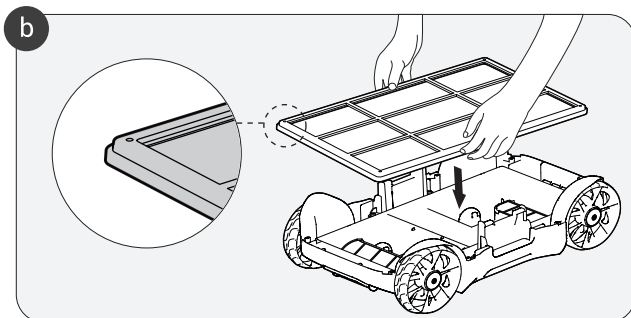
### 4. Installation

- a. Press the brush into the designated slot at the bottom of the device.

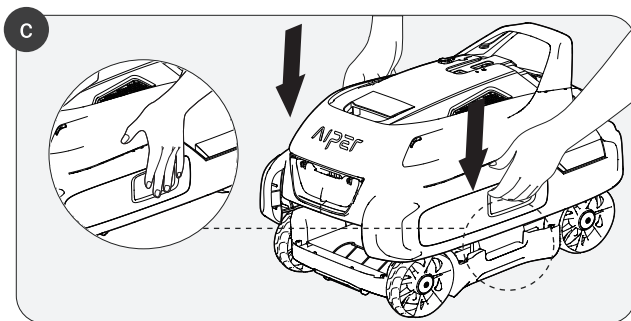




b. Fix the filter screen onto the bottom shell of the device.

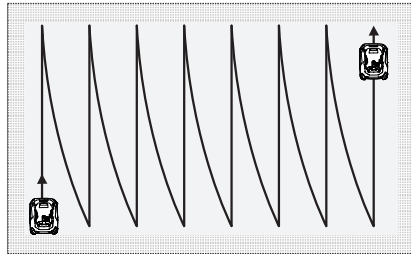
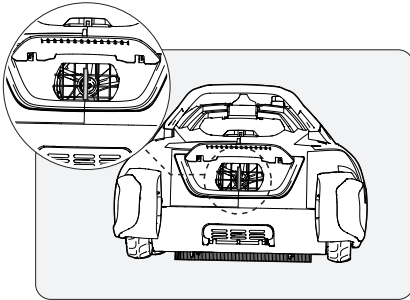


c. Align the upper shell with the chassis and press down slightly to buckle the parts together.

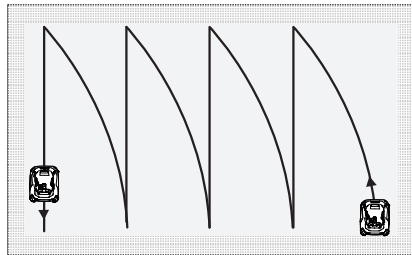
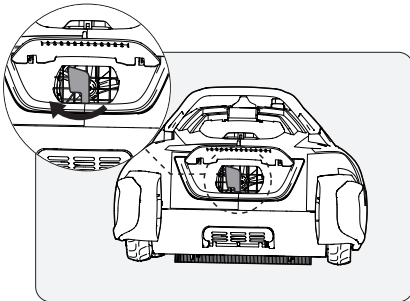


d. Large swimming pools (50m<sup>2</sup> or above): Increase the cleaning range by adjusting the range lever on the inside of the machine.

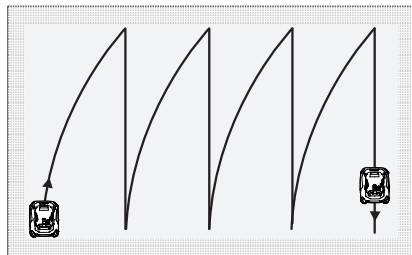
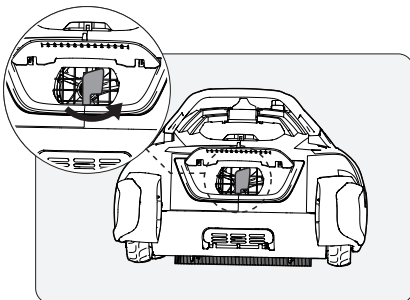
Small swimming pools (below 50m<sup>2</sup>): No adjustment is required.



No adjustment is required



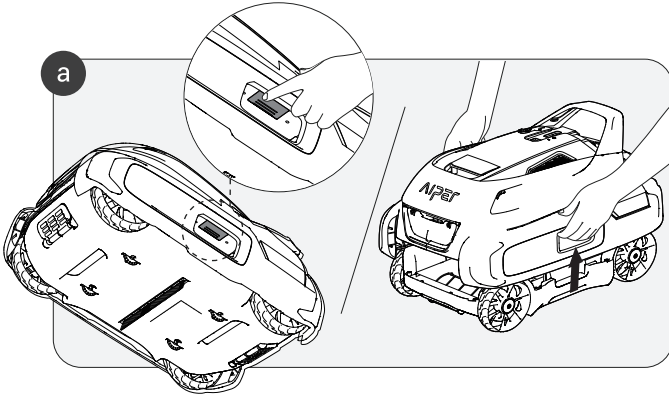
Adjust the lever to the left



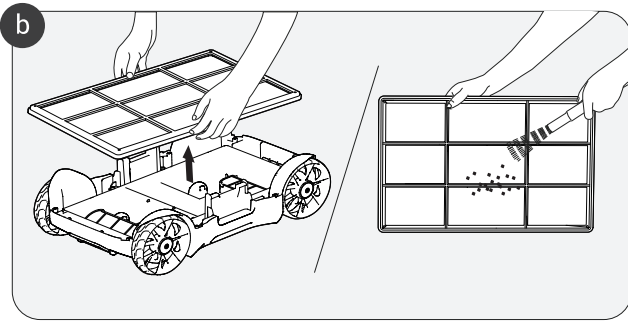
Adjust the lever to the right

## 5. Disassembly and Cleaning

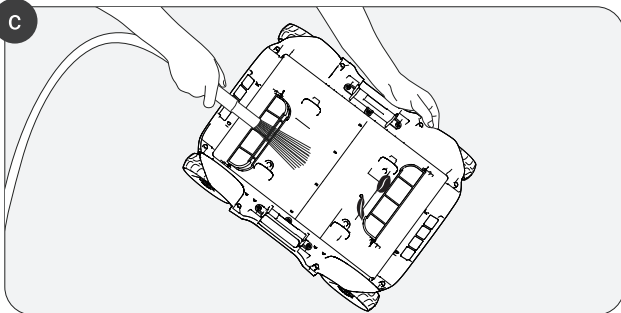
a. Press and hold the left and right buckles of the device and lift slightly.



b. Lift and set aside the upper shell, then remove the filter to begin cleaning.



c. Empty the debris collected at the shell's bottom and rinse with water to clean the device.

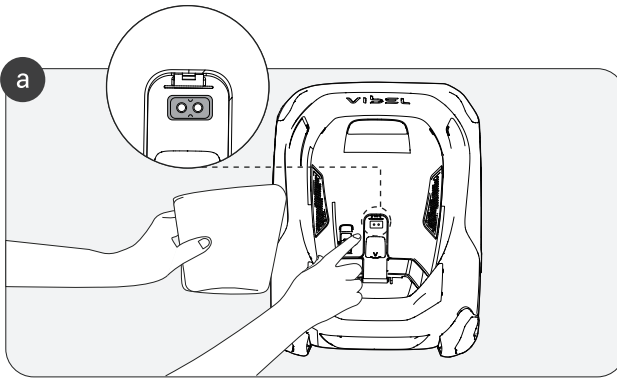


## 6. Operation

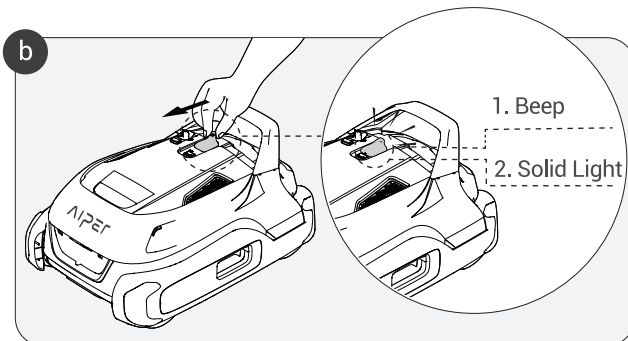
### a. Charging

Fully charge your Aiper pool cleaner before using it to clean your pool.

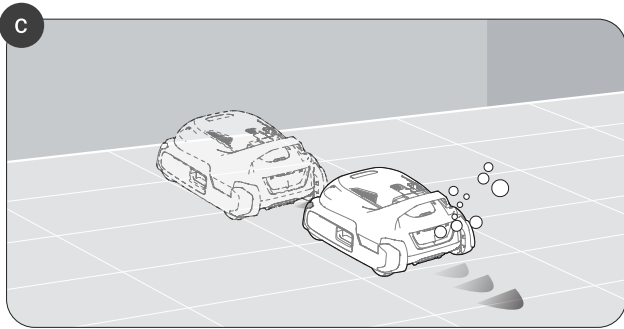
- Switch off the power before charging, otherwise the device cannot be recharged, and a rapid alarm will be activated.
- Wipe dry the charging port before charging your device.



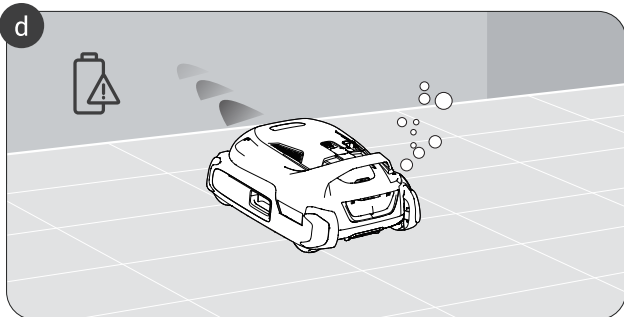
- b. After assembly, press the ON button. After the light is steady on and the "beeping" sound stops, the machine will enter standby mode. Put the machine into the water within 30s, and it will start to work normally after 10s.



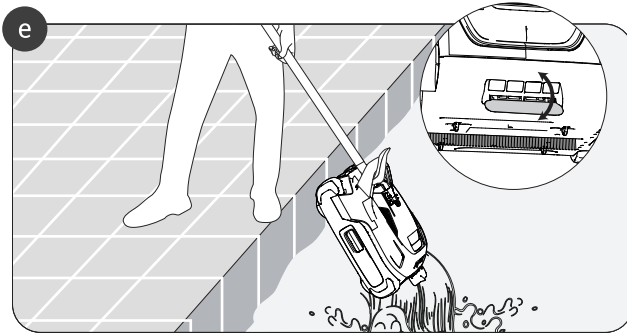
c. During its cleaning process, the device will routinely encounter walls or obstacles, turn, and continue cleaning in a new direction.



d. When the indicator turns red, the device will end its cleaning cycle and move to the pool's edge for retrieval.



e. When not operating, the device can be fished out of the pool using the provided hook. The unique design of the spring plate allows for rapid drainage of the device when it is taken out of the pool.



AIPEER®

[www.aiper.com](http://www.aiper.com)