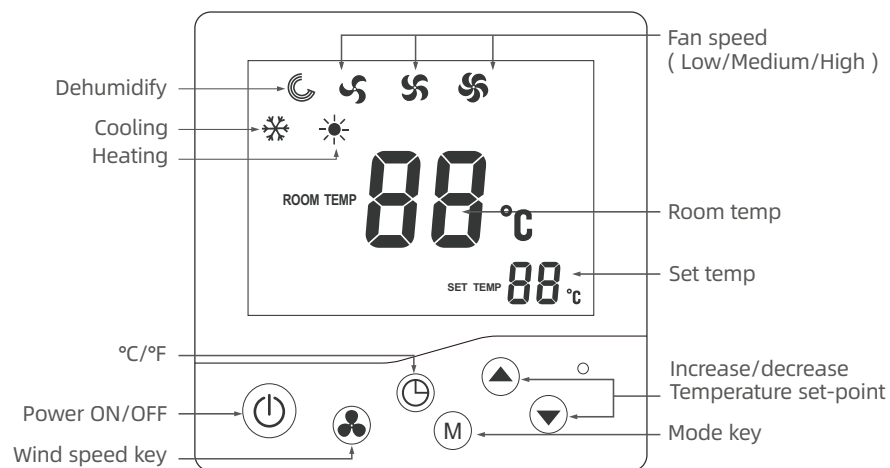




## Wall Mounted Control User's Guide

The basic steps for operating the air conditioner are described in this user guide. For more detailed information about the operating mode and special functions, please refer to the operating instructions manual.

### Operation

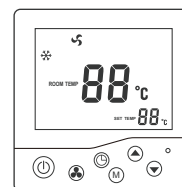


#### Quick reference to control buttons

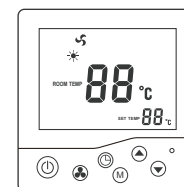
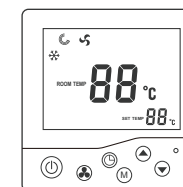
- Press " ⏻ " button switch on or switch off the machine.
- Press " M " button select cold, heat, blow, dehumidification.
- Press " 🌀 " button adjust the high or middle and low speed.
- Press " ▲ " button increase set temperature point.  
Press " ▼ " button decrease set temperature point. Temperature range:  
16°C - 31°C/61°F - 88°F.



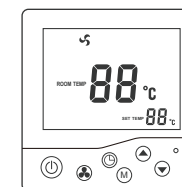
### Mode Display



Cooling

Heating  
(only for the product with Heating function)

Dehumidity



Fan

### Fault code & Function descriptions

Fault condition	Digital display code	Note
E1	Communication interruption of relay control module	1. Check the dip switch.
E2	Room temperature sensor is open or has different range	1. check temperature sensor connection. 2. Replace temperature sensor.
E3	Room temperature sensor fault	1. check temperature sensor connection. 2. Replace temperature sensor.
C5	Communication fault	1. Chek the wire between power and controller. 2. Replace PCB or Controller.

#### To difficult to change from °C to °F ?

Under the power-on state [ ⏻ ] press and hold to switch °C/°F



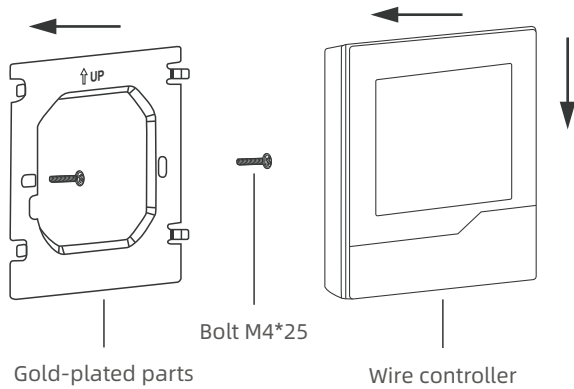
## Installation Instructions

Step One: Remove the cover of Wire controller box.

Step Two: Secure the back cover with screws.

Step Three: According to the drawing install two screws one by one.

Step Four: Finally, the wire controller is buckled on the back cover and the installation is completed.

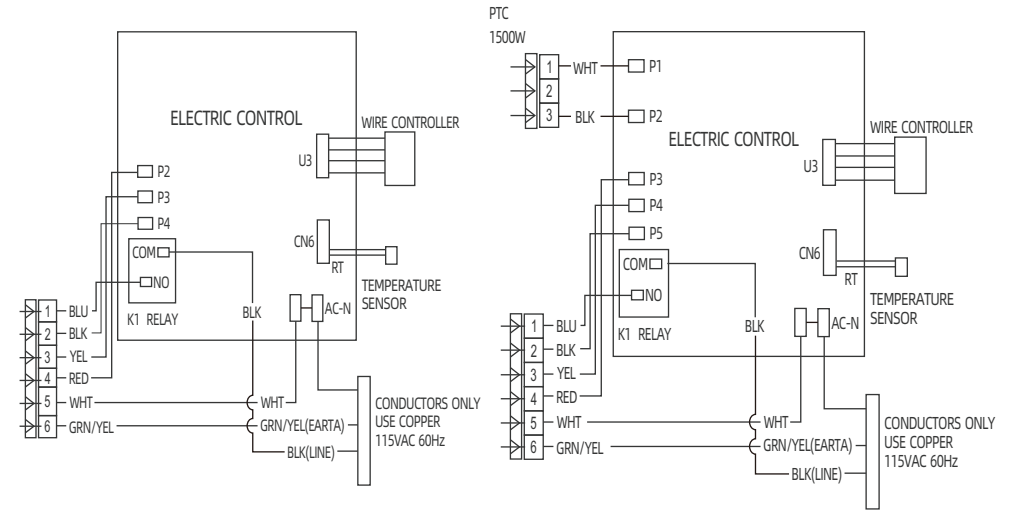


### Remarks:

1. After power-off and power-on or abnormal communication returns to normal, you need to re-operate the on-off button, or after setting the timing setting, or after waiting for three minutes, you can directly operate and adjust.
2. The above pictures are for reference only, mainly in kind.



## Wiring Diagrams



### Wire connection

