

# **WPX2700e/WPX3200e**

## **ELECTRIC PRESSURE WASHER**

**WPX2700e 2700 PSI | 1.76 GPM**

**WPX3200e 3200 PSI | 1.76 GPM**

**DO NOT RETURN THIS PRODUCT TO THE STORE**

If you have questions or need assistance, please call customer service at 855-944-3571.

# TABLE OF CONTENTS

Introduction.....	2-3
Safety .....	4-7
Electrical.....	8
Components .....	9
Assembly.....	10-13
Operation.....	13-15
Care and maintenance .....	16-17
Troubleshooting.....	17
Warranty.....	18
Service Hot line/Company Address.....	Back Page

## INTRODUCTION

**⚠ WARNING** This product and other substances that may become airborne from its use contain chemicals, including lead, known to the State of California to cause cancer, birth defects, or other reproductive harm. **Wash hands after handling.** For more information go to [www.P65warnings.ca.gov](http://www.P65warnings.ca.gov).

### DISCLAIMERS

All information, illustrations, and specifications in this manual were in effect at the time of publishing. The illustrations used in this manual are intended as representative reference views only. We reserve the right to make any specification or design change without notice.

### ALL RIGHTS RESERVED

All rights reserved. No reproduction allowed in any form without written permission from Westinghouse Outdoor Power Equipment.

**⚠ DANGER** Read this manual before using or performing maintenance on this product. Failure to follow the instructions and safety precautions in this manual can result in serious injury or death.

### UPDATES

The latest User Manual for your Westinghouse products can be found under our support tab. [wpowereq.com/pages/manuals](http://wpowereq.com/pages/manuals)

Or scan the following QR code with your smartphone camera to be directed to the link.



### PRODUCT REGISTRATION

For trouble-free warranty coverage, it is important to register your Westinghouse product.



You can register by:

- Completing and mailing the product registration card included in the carton.
- Registering your product on-line at: [wpowereq.com/pages/warranty-registration](http://wpowereq.com/pages/warranty-registration)
- Scanning the above QR code with your smartphone camera to be directed to the mobile registration link.

#### For Your Records

Date of Purchase:	_____
Model Number:	_____
Serial Number:	_____
Place of Purchase:	_____

- Sending the following product information to:

#### Westinghouse Outdoor Power

Warranty registration  
777 Manor Park Drive  
Columbus, OH 43228

**IMPORTANT:** Keep your purchase receipt for trouble-free warranty coverage.

# INTRODUCTION

---

## SPECIFICATIONS (WPX2700e)

Water Temperature .....	Cold Water Only	Rated Water Flow Rate .....	1.1 US GPM (4.16LPM)
Peak Pressure .....	2700 PSI	Phase .....	Single
Rated Max Pressure.....	2400 PSI	Input.....	120 V, AC only, 60 Hz, 13 Amps
Maximum Water Flow Rate .....	1.76 US GPM (6.7 LPM)		

## SPECIFICATIONS (WPX3200e)

Water Temperature .....	Cold Water Only	Rated Water Flow Rate .....	1.1 US GPM (4.16LPM)
Peak Pressure .....	3200 PSI	Phase .....	Single
Rated Max Pressure.....	2800 PSI	Input.....	120 V, AC only, 60 Hz, 13 Amps
Maximum Water Flow Rate .....	1.76 US GPM (6.7 LPM)		

**⚠ WARNING** NEVER spray directly at a person, animal, electrical device, or the unit itself. Failure to heed this warning could result in serious injury, electric shock, or death.

**NOTICE** NEVER allow the pressure washer pump to run for more than one minute after you have turned off the water supply. This can cause the motor and pump to overheat and fail. **ALWAYS** unwind the garden hose completely and remove any objects that may be restricting or preventing the flow of water to the machine.

**NOTICE** Thank you for choosing Westinghouse! PLEASE READ BEFORE RETURNING THIS PRODUCT FOR ANY REASON. If you have a question or experience a problem with your Westinghouse purchase, call us at 1-855-944-3571 to speak with an agent. SAVE THIS MANUAL FOR FUTURE REFERENCE.

**HAVE QUESTIONS?**  
**Email us at [service@wpowerreq.com](mailto:service@wpowerreq.com)**  
**or call 1-855-944-3571**

# SAFETY

## SAFETY DEFINITIONS

The words DANGER, WARNING, CAUTION, and NOTICE are used throughout this manual to highlight important information. Make sure that the meanings of this safety information is known to all who operate, perform maintenance on, or are near the pressure washer.



This safety alert symbol appears with most safety statements. It means attention, become alert, your safety is involved! Please read and abide by the message that follows the safety alerts symbol.

**DANGER** Indicates a hazardous situation which, if not avoided, will result in death or serious injury.

**WARNING** Indicates a hazardous situation which, if not avoided, could result in death or serious injury.

**CAUTION** Indicates a hazardous situation which, if not avoided, could result in minor or moderate injury.

**NOTICE** Indicates a situation which can cause damage to the pressure washer, personal property, and/or the environment, or cause the equipment to operate improperly.

**NOTE:** Indicates a procedure, practice or condition that should be followed for the pressure washer to function in the manner intended.

## SAFETY SYMBOLS

Follow all safety information contained in this user's manual as well as the information on the product labeling.

Symbol	Description
	Safety Alert Symbol
	Risk of Injection.
	Electric Shock
	Risk of Explosion. Never spray flammable liquids. Flammable liquids and their vapors can be explosive.
	Do Not Operate in Wet Conditions
	Read Manufacturer's Instructions
	Kickback.
	Wear eye and ear protection

# SAFETY

---

## IMPORTANT SAFETY INSTRUCTIONS

**⚠ WARNING** To reduce the risk of injury, the user must read and understand the instructions before using this product.

**⚠ WARNING** **Risk of liquid injection.** Never spray humans or animals, as injury could result. Engage trigger lock when the pressure washer is not in use.

**⚠ WARNING** When using this product, basic precautions should always be followed, including the following:

- **WARNING** — Risk of injection or injury — Do not discharge stream at persons.
- **ALWAYS** take time to read all the instructions before using the product.
- It is recommended to carefully read understand all operating aspects of the pressure washer outlined in this manual to avoid personal injury and/or damage

to property and to maximize your pressure washing experience.

- Understand and know how to safely stop the product and bleed pressures quickly. Be fully familiar with all controls.
- Follow the maintenance instructions as specified in the manual.
- **DO NOT** use your pressure washer when you are under the influence of alcohol or drugs. Use this power tool carefully and only when you are alert.
- Keep operating area clear of all people, animals and hazardous objects.
- **DO NOT** overreach or stand on unstable support. Keep good footing and balance at all times.
- **The pressure washer is equipped with a Ground Fault Circuit Interrupter (GFCI) which greatly reduces the chance of electric shock while the unit is in use. If replacement of the plug or cord is needed, use only identical replacement parts.**

---

## KEEP THESE INSTRUCTIONS FOR FUTURE REFERENCE.

### GROUND FAULT CIRCUIT INTERRUPTER PROTECTION

This pressure washer has a ground-fault circuit-interrupter (GFCI) built into the plug of the power-supply cord. A GFCI provides additional protection from the risk of electric shock. If replacement of the plug or cord is necessary, use identical replacement parts that include GFCI protection.

### UNDERSTANDING THE GROUNDING PLUG

Do not modify the plug. This appliance has a grounding-type plug which has two blades and a grounding prong. The grounding prong is provided for your safety. The plug is designed to fit into a matching outlet. If the plug does not fit your outlet, consult a qualified electrician for replacement of the obsolete outlet. Do not under any circumstances cut or remove the prong.

### GROUNDING INSTRUCTIONS

This product must be grounded. If it should malfunction or breakdown, grounding provides a path of least resistance for electric current to reduce the risk of electric shock. This product is equipped with a cord having an equipment-grounding conductor and a grounding plug. The plug must be plugged into an appropriate outlet that is properly installed and grounded in accordance with all local codes and ordinances.

**DANGER** — Improper connection of the equipment-grounding conductor can result in a risk of electrocution. Check with a qualified electrician or service personnel if you are in doubt as to whether the outlet is properly grounded. Do not modify the plug provided with the product — if it will not fit the outlet, have a proper outlet installed by a qualified electrician. Do not use any type of adaptor with this product.

# SAFETY

---

- Failure to read and follow the instructions in user manual(s) could result in death, bodily injury, and/or property damage.
  - When using the pressure washer near children, make sure they are closely supervised by an adult to avoid injury. **NEVER** let a child use the pressure washer.
  - This pressure washer conforms to CSA and other safety and consumer standards. **DO NOT** modify or rebuild any part of your pressure washer.
  - Watch your balance and footing while using your pressure washer. Surfaces become slippery when wet and are extra slippery when using a detergent or cleaner.
  - **NEVER** operate the pressure washer in bare feet, sandals, or open-toed shoes.
  - **DO NOT** touch the high pressure spray with your fingers, hands, feet and be careful to avoid any contact with your eyes as the powerful spray can cause blindness or blast holes in the skin.
  - **ALWAYS** wear eye protection to prevent injury to eyes when operating the pressure washer.
  - To avoid accidents causing injury, **ALWAYS** use the trigger safety lock when the pressure washer is not in use even if the spraying stops for a moment.
  - Point the spray gun in a safe direction when beginning to use your pressure washer.
  - **NEVER** spray directly at a person, animal, electrical device, or the unit itself. The pressure washer can break glass if hit with direct contact.
  - Hold the spray gun and lance with two hands (one hand to pull the trigger and the other to stabilize the gun) until you get used to the “recoil”.
  - When you stop the pressure washer, water pressure may remain in the system. To release the pressure, point the spray gun in a safe direction and pull the trigger.
  - **NEVER** spray flammable liquids.
  - **NEVER** use the pressure washer in areas that contain combustible dust, liquids or vapors.
  - Examine the hose regularly. Replace if damaged. Due to the high pressure involved, it cannot be repaired if cut or damaged.
  - Only use detergent specifically formulated for pressure washers and follow instructions on the detergent’s label.
  - Detergent can be harmful to your skin, eyes and lungs. Please be cautious when handling any chemicals. Dish and laundry soap is too thick and will clog the nozzle of your detergent bottle.
- NOTICE** Store the pressure washer indoors in a heated environment to prevent the water in the unit from freezing and expanding. When the water freezes and expands, the high-pressure pump will crack and render the pressure washer inoperable. It is recommended you use pump saver (not included) to protect pumps from freezing and cracking.
- **NEVER** use hot water with your pressure washer. It will overheat and damage the seals and components in the high-pressure pump that cannot be repaired.
  - **NEVER** leave the pressure washer “ON” while it is unattended.
  - **ALWAYS** turn the water supply “ON” before turning the pressure washer power to “ON”. Running the pump dry of water will cause damage to the internal components and render the pressure washer inoperable.
  - **NEVER** use a water supply to your pressure washer that exceeds 150 PSI maximum.
  - **NEVER** disconnect the high pressure hose from the pressure washer while the system is pressurized.
  - **NEVER** permanently engage the trigger mechanisms on the spray gun.
  - **NEVER** operate the pressure washer unless all components are properly and securely connected.
  - **NEVER** allow the pressure washer pump to run for more than one minute after you have turned off the water supply. This can cause the motor and pump to overheat and fail.
  - **NEVER** use an extension power cord.
  - **NEVER** use an extension power cord since it causes voltage drop and can burn the motor. Also increases risk of electric shock to the operator.
  - **NEVER** use lances or other parts that are not compatible for this specific Westinghouse unit.
  - **NEVER** spray any electrical outlet with your pressure washer.
  - Inspect the power cord before using. **DO NOT** use it if it is damaged.
  - Keep all connections dry and off the ground. **DO NOT** touch the plug with wet hands.

# SAFETY

## SAFETY LABELS AND DECALS

The following information is on your pressure washer's labels and decals.

### ① Specifications

(See page 3)

### ② California Proposition 65

Cancer and reproductive harm - [www.P65Warnings.ca.gov/product](http://www.P65Warnings.ca.gov/product)

### ③ Electric

This product was designed to work with a nominal 120V/60Hz AC power supply (average U.S. household circuit).

### ④ High Performance Induction Motor

The high performance induction motor is reliable, quiet, and powerful.

### ⑤ Soap

- Use pressure washer detergents only.

### ⑥ Safety Symbols

(See page 4)

### ⑦ On/Off

The pressure washer has a two position switch for turning the motor on and off.

### ⑧ Performance label

This pressure washer can deliver 2700 psi at 1.76 gallons per minute.

### ⑨ Cord Wrap

Risk of Electrocution

- Inspect cord before using. Do not use if cord is damaged.
- Keep all connections dry and off the ground.
- Do not touch the plug with wet hands.
- ~~Double Insulated - when servicing use only identical replacement parts.~~
- This product is provided with a ground fault circuit interrupter built into the power cord plug. If replacement of the plug or cord is needed, use only identical replacement parts.
- Read instruction manual before using.

**①** Peak Pressure **2700 PSI (2700 LB/PO2)**  
*Presión Pico | Pression Dr Crête*

Rated Max Pressure **2400 PSI (2400 LB/PO2)**  
*Presión Máxima Nominal | Pression Nominale Maximale*

Maximum Water Flow Rate **1.76 US GPM (5.3 LPM)**  
*Tasa Máxima De Flujo De Agua | Débit D'eau Maximum*

Rated Water Flow Rate **1.2 US GPM (4.54 LPM)**  
*Tasa de flujo de agua nominal | Débit d'eau nominal*

Rating **120V 1 ph/monophasé, AC 60Hz 13A**  
*Clasificación | Evaluation*

Model **ePX50001**  
*La Maqueta | Modèle*

Intertek 5024994

WARNING: Cancer and reproductive harm - [www.P65Warnings.ca.gov/product](http://www.P65Warnings.ca.gov/product)  
 AVERTISSEMENT: Cancer et reproduction - [www.P65Warnings.ca.gov/product](http://www.P65Warnings.ca.gov/product)

Westinghouse Outdoor Power Equipment  
 Columbus Ohio 43228 USA  
 Made in China

Serial number

**⑥** Westinghouse

BEFORE SERVICE, CLEANING OR REPAIRING PARTS, SHUT OFF THE POWER AND RELEASE THE PRESSURE.  
 ANTES DE SERVICAR, LIMPIAR O REPARAR PIEZAS, APAGUE EL ALIMENTACION Y ALIBERAR LA PRESION.  
 AVANT D'EFFECTUER DES TRAVAUX D'ENTRETIEN, DE REPARATION OU DE SERVICE, ARRÊTEZ LE COURANT ET DÉTENSÉ LA PRESION.

**CAUTION PRECAUCIÓN MISE EN GARDE**

**CAUTION** To reduce the risk of injury, read owners manual carefully before using.  
**CAUTION** Gun Kicks Back - Hold with both hands.

**WARNING** Risk of eye injury. Always use caution wear safety goggles with side shields.  
**WARNING** Risk of Injection or injury to persons - Do not direct discharge stream at persons.

**DANGER** RISK OF ELECTROCUTION  
**WARNING** Risk of Explosion - Do not spray flammable liquids.

Inspect Cord Before Using - Do not use if cord is damaged.  
 Keep all connections dry and off the ground.  
 Do not touch plug with wet hands.  
 Double Insulated - When servicing use only identical replacement parts.

This product is provided with a ground fault circuit interrupter (GFCI) built into the power cord plug. If replacement of the plug or cord is needed, use only identical replacement parts.

**⑨** **WARNING:**

**RISK OF ELECTROCUTION**

1. INSPECT CORD BEFORE USING. DO NOT USE IF CORD IS DAMAGED.
2. KEEP ALL CONNECTIONS DRY AND OFF THE GROUND.
3. DO NOT TOUCH THE PLUG WITH WET HANDS.
4. DOUBLE INSULATED - WHEN SERVICING USE ONLY IDENTICAL REPLACEMENT PARTS.
5. THIS PRODUCT IS PROVIDED WITH A GROUND FAULT CIRCUIT INTERRUPTER BUILT INTO THE POWER CORD PLUG. IF REPLACEMENT OF THE PLUG OR CORD IS NEEDED, USE ONLY IDENTICAL REPLACEMENT PARTS.
6. READ INSTRUCTION MANUAL BEFORE USING.

**AVERTISSEMENT**

**RISQUE D'ÉLECTROCUTION**

1. INSPECTEZ LE CORDON AVANT DE L'UTILISER. NE PAS UTILISER SI LE CORDON EST ENDOMMAGÉ.
2. GARDEZ TOUTES LES BRANCHEMENTS SECS ET NON AU SOL.
3. NE PAS TOUCHER LA FICHE AVEC LES MAINS MOUILLÉES.
4. À ISOLATION DOUBLE - LORSQUE VOUS EFFECTUEZ DES RÉPARATIONS, UTILISEZ SEULEMENT DES PIÈCES DE REMPLACEMENT IDENTIQUES.

DO NOT REMOVE THIS TAG  
 NE PAS RETIRER LA PRÉSENTE ÉTIQUETTE.  
 NO QUITE ESTA ETIQUETA.

**③** **Electric** 

**⑦** **ON OFF**

**④** **High Performance Induction Motor**

**⑧** **Westinghouse**  
 2700PSI 1.76GPM

**⑤** **Soap** Use Pressure Washer Detergent Only!

# ELECTRICAL

## GROUNDING

See Figure 1.

This product must be grounded. Grounding creates a path of least resistance for electrical current in the case of a malfunction or breakdown which reduces the risk of electric shock. This appliance comes with an electrical cord that has an equipment-grounding conductor and a grounding plug. The plug is designed to fit into a matching outlet that is installed and grounded appropriately. Follow all local codes and ordinances.

If the plug does not fit your outlet, consult a qualified electrician for replacement of the obsolete outlet. Do not under any circumstances cut or remove the prong.

**⚠ WARNING** If the power cord is damaged and needs to be repaired or replaced, take the appliance to an authorized service center. An improperly installed cord can create the risk of electric shock.

If the grounding instructions are not fully understood or if there is any uncertainty as to whether the product is correctly grounded, consult a licensed electrician or contact customer service. Have a damaged cord replaced or repaired immediately.

## AC MOTOR

The electric motor in this product was designed to work with a **nominal 120V/60Hz AC power supply (average U.S. household circuit)**. It is not intended to operate on direct current (DC). A significant voltage drop will result in a loss of power and could damage the motor.

## GROUND FAULT CIRCUIT INTERRUPTER PROTECTION

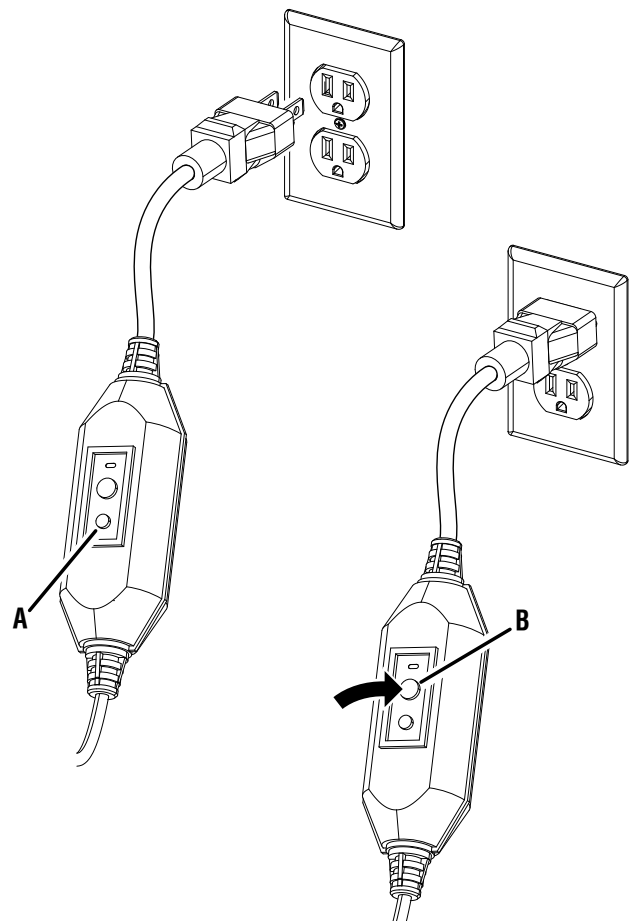
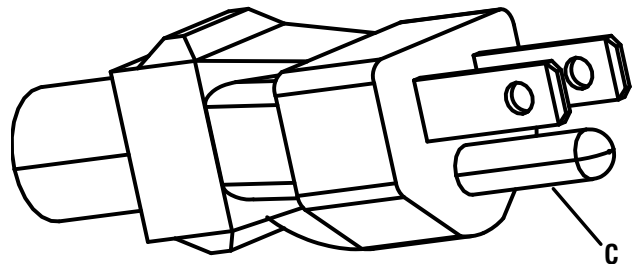
See Figure 1.

This pressure washer has a ground-fault circuit-interrupter (GFCI) built into the plug of the power-supply cord. A GFCI protects against ground fault currents such as a current that would flow through a person standing on a wet surface while holding a product with faulty insulation. GFCI plugs do not protect against shocks, short circuits, and overloads. If replacement of the plug or cord is necessary, use identical replacement parts that include GFCI protection.

## To test the GFCI:

- Plug the power supply cord into a receptacle.
  - Press the TEST button and listen for a “click” indicating that the connection to the power supply was broken.
  - Press the RESET button to restore power to the device. The LED light will turn on when power is restored.
- Test the GFCI monthly to ensure proper operation.

FIG. 1

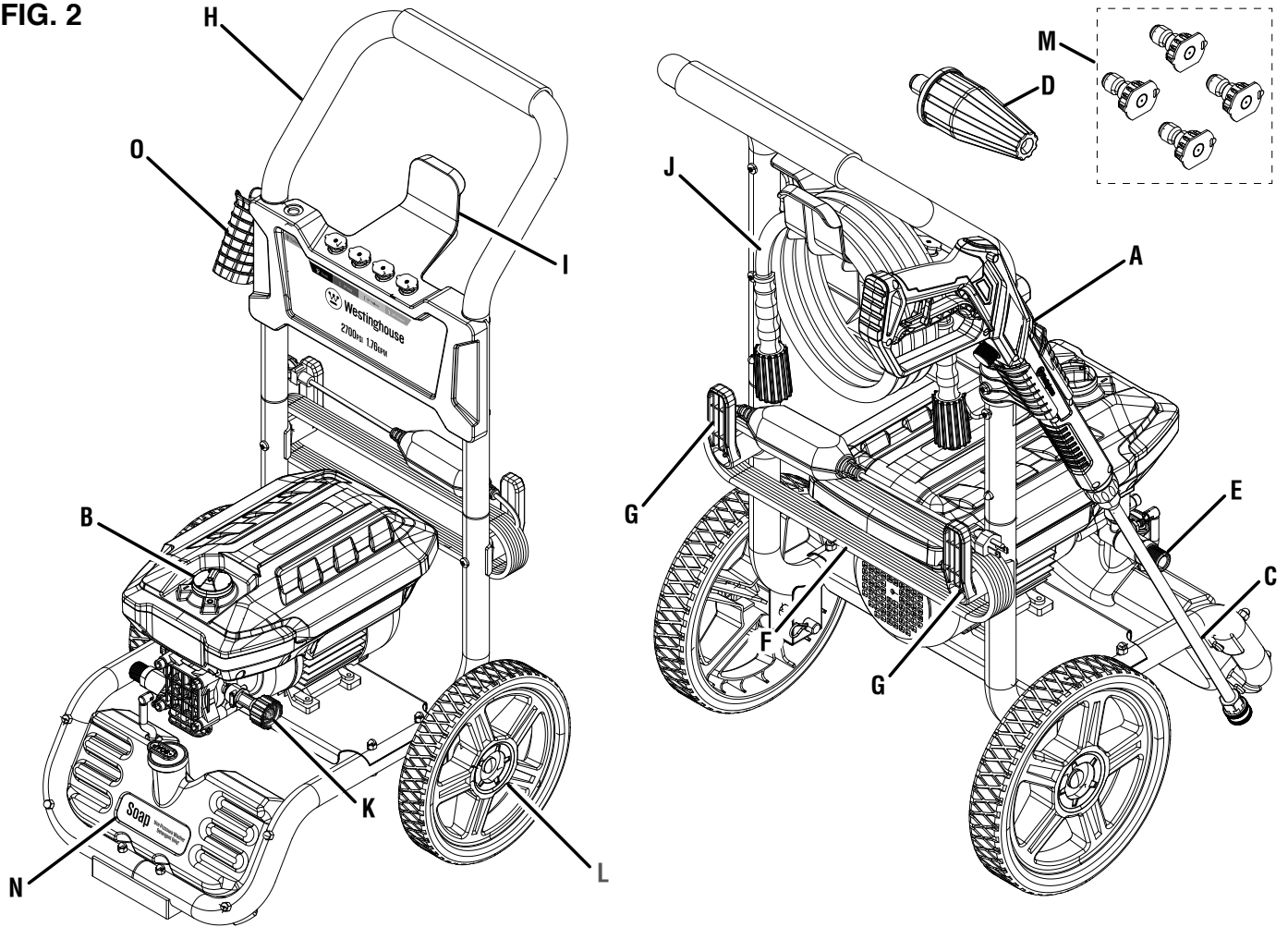


- A - TEST Button
- B - RESET Button
- C - Grounding prong



# COMPONENTS

FIG. 2



- A - Spray Gun
- B - On/Off Switch
- C - Lance
- D - Turbo Nozzle
- E - Threaded Outlet

- F - Power Cord
- G - Cord Retainer
- H - Handle
- I - Hose Retainer
- J - High Pressure Hose

- K - Water Inlet
- L - Caster
- M - Nozzles
- N - Soap Tank
- O - Gun Holster

## UNDERSTANDING YOUR PRESSURE WASHER

See Figure 2.

To reduce the risk of injury and product failure, read and understand the information in this user's manual as well as the information on the product labeling.

### CORD RETAINER

When not in use, wrap the power cord and hang it on the side of the pressure washer.

### HANDLE

Use the handle when transporting the unit.

### HIGH PRESSURE HOSE

The high pressure hose included with this unit is light weight, flexible, and durable. When not in use, the hose can be stored on the hose retainer.

## NOZZLES

Nozzles of varying sizes are included with this unit and can be used for different cleaning applications.

### ON/OFF SWITCH

Use the on/off switch to start and stop the pressure washer.

### SOAP TANK

Use the soap tank to add detergent.

### SPRAY GUN

Use the spray gun and lance to control and direct the stream of water.

### TURBO NOZZLE

The turbo nozzle delivers a powerful rotating 0° spray pattern that cleans large areas faster than standard nozzles.

# ASSEMBLY

**⚠ WARNING** Do not connect the pressure washer to a power supply until it is fully assembled. To avoid accidental starting and possible serious injury, only connect a power supply when the pressure washer is ready for use.

## REMOVING CARTON CONTENTS

**⚠ WARNING** This product requires assembly. Do not attempt to operate this product if any items in the **INCLUDED LIST** are already assembled when you remove the carton contents. These items are not assembled by the manufacturer and should require customer assembly. Using an improperly assembled product can be hazardous and could result in serious personal injury.

- Carefully cut down the sides of the packaging and remove the carton contents.
- Inspect the carton contents. Verify that all the items in the **INCLUDED LIST** are present and undamaged.
- Recycle or dispose of the packaging materials properly.

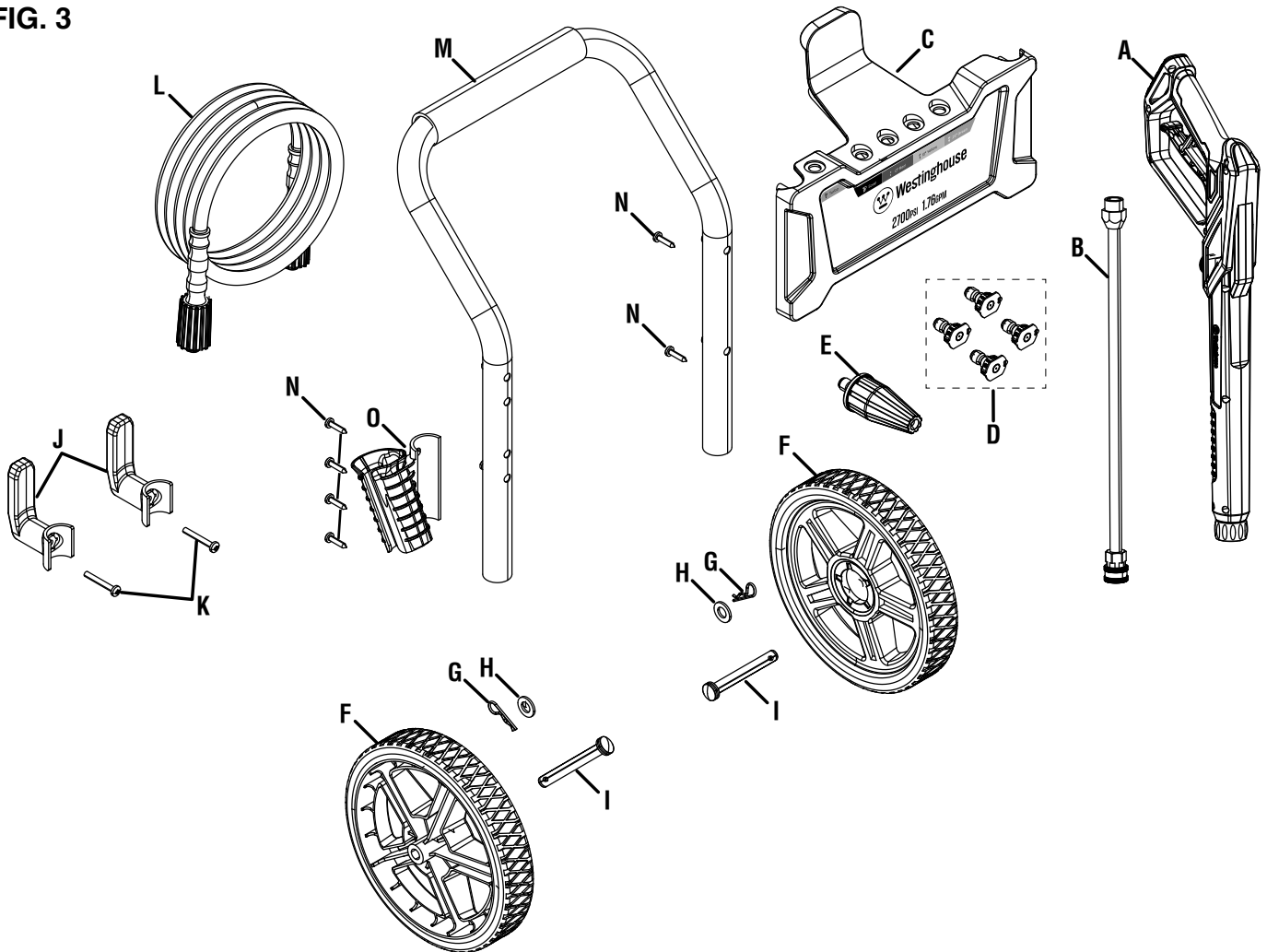
## INCLUDED LIST

See Figure 3.

Pressure Washer, Spray Gun, Lance, Front Panel, Nozzles (0°, 15°, 25°, and soap), Turbo Nozzle, Wheels, Hitch Pins, Washers, Axles, Cord Retainers, Bolts, High Pressure Hose, Handle, Gun Holster, Screws, Quick Start Guide, User Manual

If any parts are missing, contact our service team at [service@wpowereq.com](mailto:service@wpowereq.com) or call 1-855-944-3571.

FIG. 3



- |                   |                   |                        |
|-------------------|-------------------|------------------------|
| A - Spray gun     | F - Wheel         | K - Bolt               |
| B - Lance         | G - Hitch Pin     | L - High Pressure Hose |
| C - Hose retainer | H - Washer        | M - Handle             |
| D - Nozzles       | I - Axle          | N - Screw              |
| E - Turbo nozzle  | J - Cord Retainer | O - Gun holster        |

# ASSEMBLY

## INSTALLING THE WHEELS

See Figure 4.

- Place the pressure washer on a flat surface.
- Lift the rear of the pressure washer high enough to gain access to the bottom of the frame.
- Place props beneath the pressure washer to serve as a temporary support.
- Locate the axles, wheels, washers, and hitch pins.
- Insert an axle through the middle of a wheel, washer, and the frame as shown.
- Push a hitch pin into the axle until the center of the pin rests against the top of the axle.
- Repeat these steps to install second wheel.

## ATTACHING THE CORD RETAINER

See Figure 5.

- Align the holes in the cord retainer with the holes in the frame.

**NOTE:** Install the cord retainer facing up as shown.

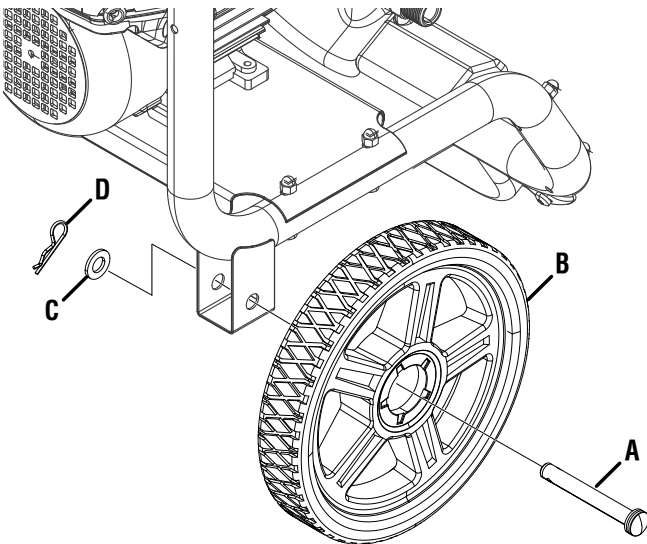
- Insert a bolt through the frame and the cord retainer. Tighten to secure.

## INSTALLING THE HANDLE

See Figure 6.

**CAUTION** When attaching the handle to the frame, use caution to avoid pinching your fingers or hands.

FIG. 4

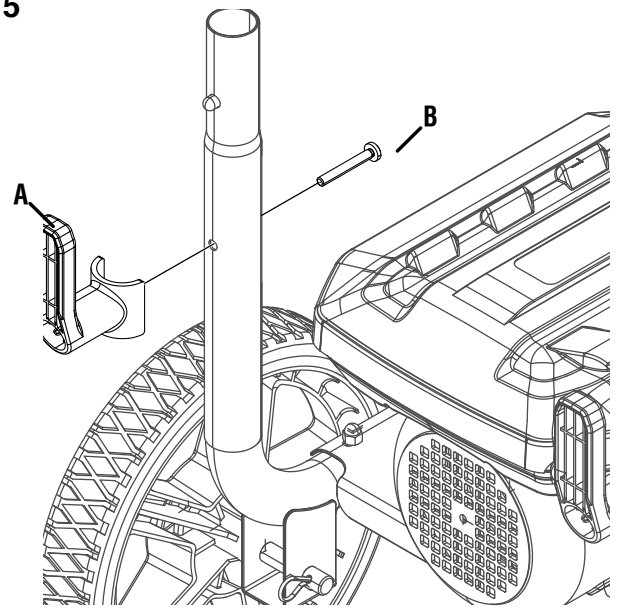


- A - Axle
- B - Wheel
- C - Washer
- D - Hitch Pin

- Slide the handle onto the frame until it contacts the buttons.
- Depress the buttons and continue sliding the handle down into place.
- Pull the handle up until the buttons snap into the holes in the handle.

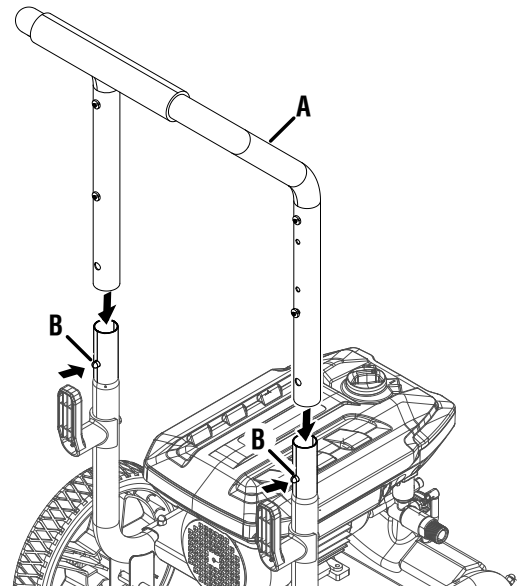
**NOTE:** Make sure the handle is secure before operation.

FIG. 5



- A - Cord Retainer
- B - Bolt

FIG. 6



- A - Handle
- B - Button

# ASSEMBLY

## ATTACHING THE HOSE RETAINER AND GUN HOLSTER

See Figure 7 - 8.

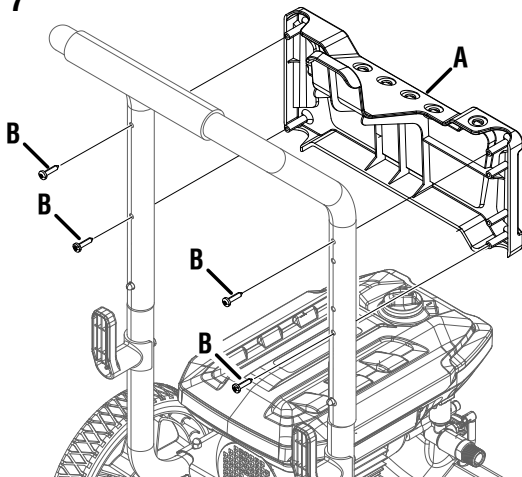
- Align the posts on the hose retainer with the holes in the frame.
- Press the hose retainer onto the frame and push the posts into the hole.
- Install screws and tighten securely.
- Place the gun holster on the back of the handle as shown.
- Install screws and tighten securely.

## CONNECTING THE LANCE TO THE SPRAY GUN

See Figure 9.

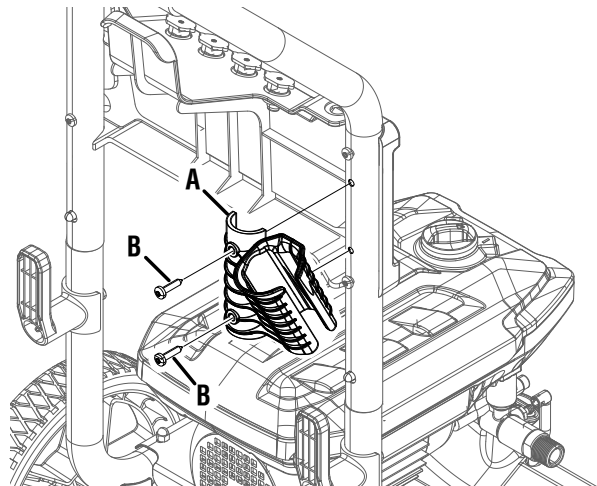
- Push the lance into the spray gun and turn clockwise to tighten. **Do not overtighten.**
- Gently pull on the lance to be certain it is secured.
- If desired, place the nozzles, spray gun, lance, and power cord in their storage areas.

FIG. 7



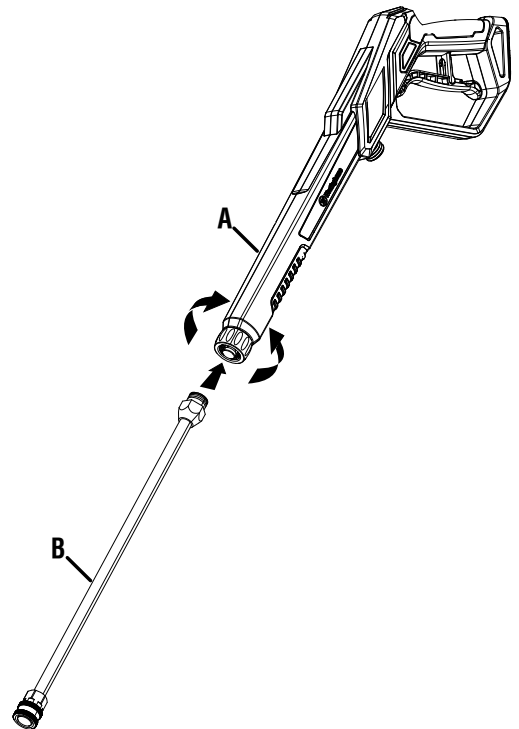
A - Hose Retainer  
B - Screws

FIG. 8



A - Gun Holster  
B - Screws

FIG. 9



A - Spray Gun  
B - Lance

# ASSEMBLY

## CONNECTING THE HIGH PRESSURE HOSE TO THE SPRAY GUN

See Figure 10.

- Pull the collar on the high pressure hose back and push the hose fitting firmly into the spray gun.
- Screw the collar onto the spray gun and tighten securely.  
**NOTE:** Be careful not to damage the threads on the spray gun doing so could cause the gun to leak during use.
- Gently pull on the hose to be certain it is secured.

## CONNECTING THE HIGH PRESSURE HOSE TO THE PRESSURE WASHER

See Figure 11.

- Uncoil and straighten the high pressure hose to remove any bends or kinks.
- Pull the collar on the high pressure hose back and push the hose fitting firmly into the threaded outlet on the pressure washer.
- Screw the collar onto the outlet and tighten securely.  
**NOTE:** Be careful not to damage the threads on the outlet doing so could cause the unit to leak during use.
- Gently pull on the hose to be certain it is secured.

## CONNECTING A GARDEN HOSE TO THE PRESSURE WASHER

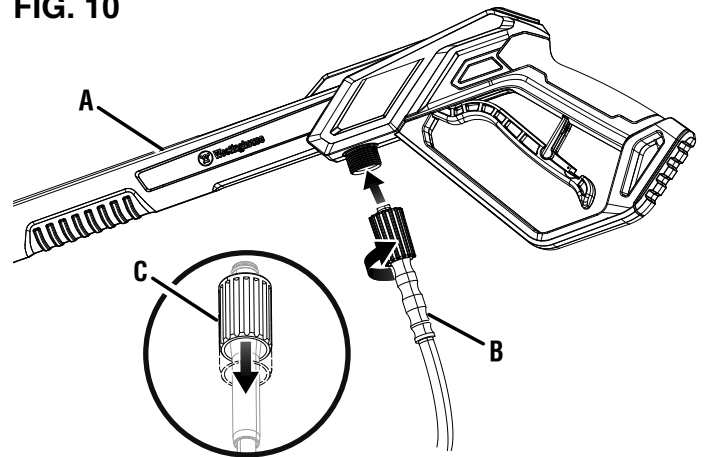
See Figure 12.

**NOTICE** Follow local regulations and ordinances when connecting your pressure washer to a water supply. Some jurisdictions may prohibit you from connecting directly to public drinking water in order to prevent the possibility of chemicals feeding back into the system. Connections made through a backflow preventer or receiver tank are generally permitted.

**NOTICE** The water used in this device must come from a water main. **DO NOT** use this device with water from a lake, pool, pond, etc. **NEVER** use hot water with this product.

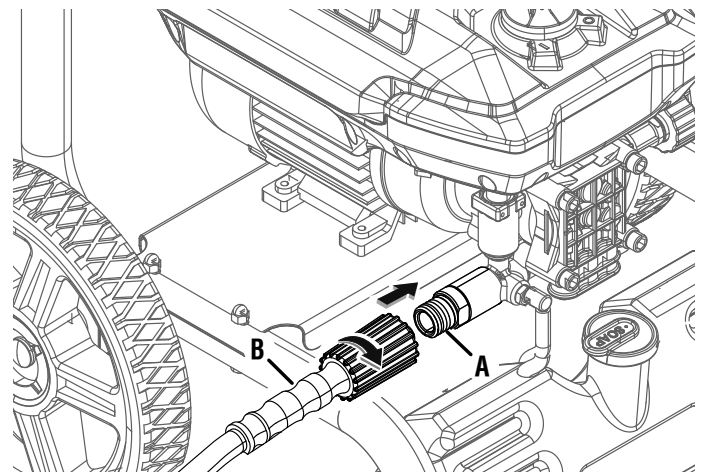
- Turn the water faucet completely off.
- Uncoil and straighten the garden hose to remove any bends or kinks.
- Flush water through the hose for several seconds to remove debris and then turn the faucet off again.
- Inspect the screen inside the water inlet for damage or clogs. Clean or replace as needed. **NEVER** connect a garden hose without the screen in place.
- Insert the garden hose into the water inlet.
- Thread the collar on the inlet onto the garden hose. Tighten securely.

FIG. 10



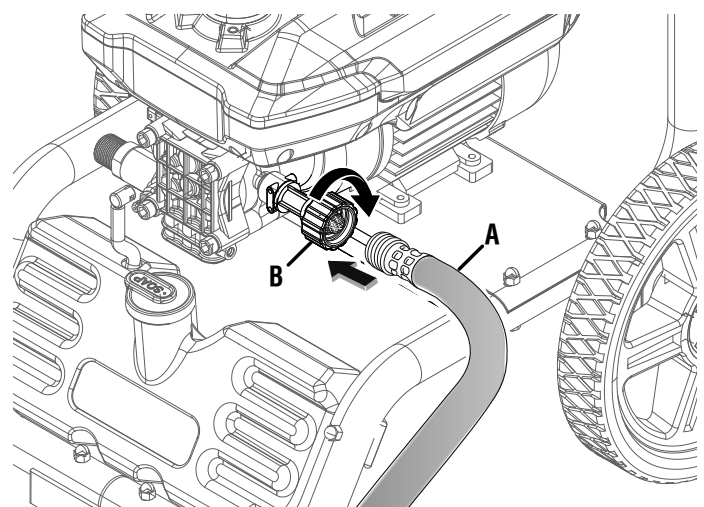
A - Spray Gun  
B - High Pressure Hose  
C - Collar

FIG. 11



A - Threaded Outlet  
B - High Pressure Hose

FIG. 12



A - Garden Hose  
B - Water Inlet

# ASSEMBLY

**NOTICE** ALWAYS turn the water supply “ON” before turning the pressure washer power to “ON”. Running the pump dry of water will cause damage to the internal components and render the pressure washer inoperable.

## OPERATION

**⚠ WARNING** Do not alter or modify this product unless instructed to so in this manual or by the manufacturer. Do not use attachments or accessories that are not recommended for use with this product. Making unauthorized modifications and using incompatible accessories can damage the unit and may void your warranty.

**⚠ WARNING** ALWAYS wear eye protection to prevent injury to eyes when operating the pressure washer.

**⚠ WARNING** NEVER spray directly at a person, animal, electrical device, or the unit itself. Failure to heed this warning could result in serious injury, electric shock, or death.

**⚠ WARNING** ALWAYS turn the on/off switch to the off position when the unit is not being used.

### STARTING AND STOPPING THE PRESSURE WASHER

See Figure 13.

- Connect a garden hose as described previously and turn the water on.

**NOTICE** ALWAYS turn the water supply “ON ” before turning the pressure washer power to “ON”. Running the pump dry of water will cause damage to the internal components and render the pressure washer inoperable.

- Connect a garden hose and turn the water on.
- Completely unwind the power cord and connect it to a grounded 120 volt outlet.

**⚠ WARNING** Keep all connections dry and off the ground. Do not touch the plug with wet hands.

- Hold the spray gun with both hands and point the lance in a safe direction.
- Release the safety lock and squeeze the trigger to release water and air out of the hose. Continue

### OVERVIEW

This pressure washer can produce very high levels of water pressure and can be used for a variety cleaning applications such as cleaning decks and walkways, washing vehicles and equipment; and removing dirt from home exteriors and fences.

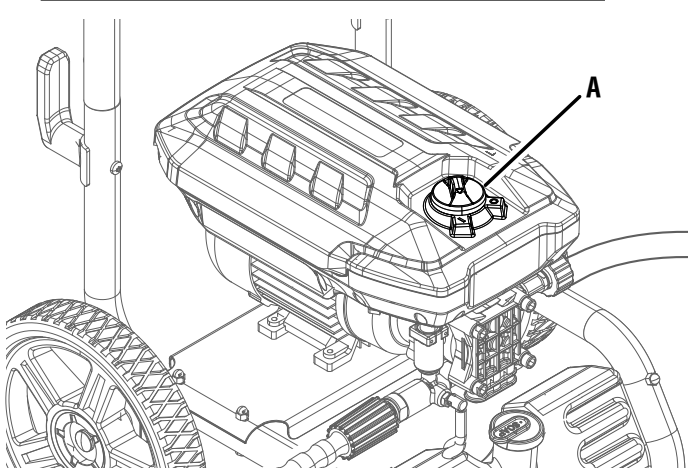
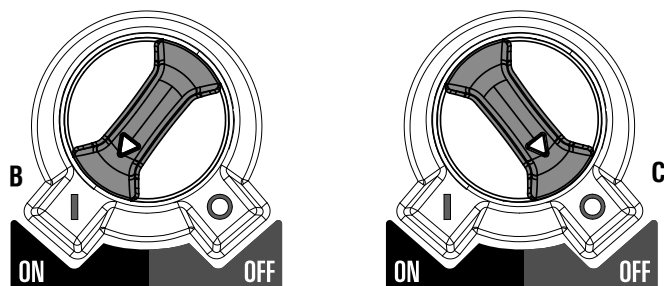
squeezing the trigger until there is a steady stream of water, then release and lock the trigger. Refer to **Using the Spray Gun** later in this section.

- Turn the on/off switch to the on position to start the pressure washer. The unit will run for several seconds and shut off. This is a normal function of the auto-start feature.

**NOTE:** The unit could be pressurized even if you don't hear the motor and pump running. Always be cautious when you are around a pressure washer.

- Turn the on/off switch to the off position to stop the pressure washer.
- When you stop the pressure washer, water pressure may remain in the system. Point the spray gun in a safe direction and pull the trigger to release the water pressure.

FIG. 13



- A - On/off switch
- B - On position
- C - Off position

# OPERATION

## USING THE SPRAY GUN

See Figure 14.

**⚠ WARNING** Hold the spray gun and lance with two hands (one hand to pull the trigger and the other to stabilize the gun) until you get used to the “recoil”. Do not lose control of the spray gun doing so could result in injury to yourself and others.

- Start the pressure washer.
- Release the safety lock by pushing it down into the slot in the trigger.
- Squeeze and hold the trigger to start the flow of water.
- Release the trigger to stop the flow of water.
- Lock the trigger by pushing it up to its original position.

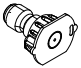
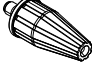
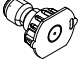
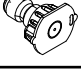
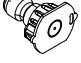
**NOTE:** Squeeze the trigger to make sure its locked and will not move. ALWAYS keep the spray gun locked when it's not in use.

## INSTALLING NOZZLES

See Figure 15.

**⚠ WARNING** ALWAYS turn off the pressure washer, release the pressure in the spray gun, and lock the trigger before removing or installing a nozzle. NEVER point the lance at your face. Failure to heed this warning could result in serious injury.

- Stop the pressure washer and turn the water faucet completely off.
- Point the spray gun in a safe direction and pull the trigger to release the water pressure.
- Lock the trigger.
- Push the nozzle into the lance until it clicks into place and is secure.
- To remove the nozzle, pull the collar back and move the nozzle away from the lance.

NOZZLE	GENERAL USE
 0°  Turbo	High Pressure. Use to clean concrete, remove tough stains, and strip paint. <b>Use with caution.</b>
 15°  25°	Moderate pressure. Safe to use on brick and paved patios.
 Soap	Low Pressure. Safe for cars, windows and decks.

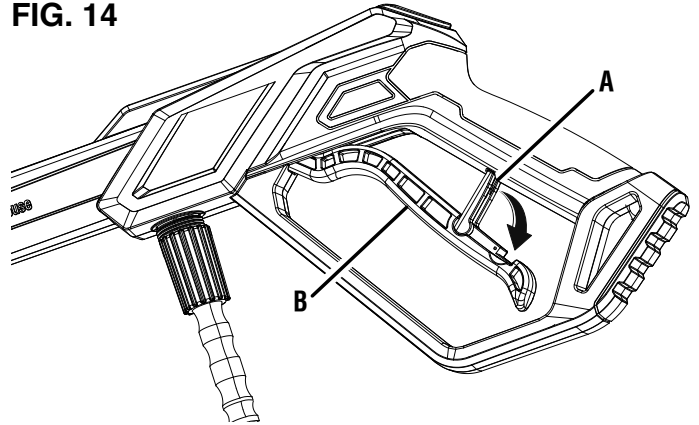
## CLEANING WITH THE PRESSURE WASHER

See Figures 16 - 17.

To clean with detergent:

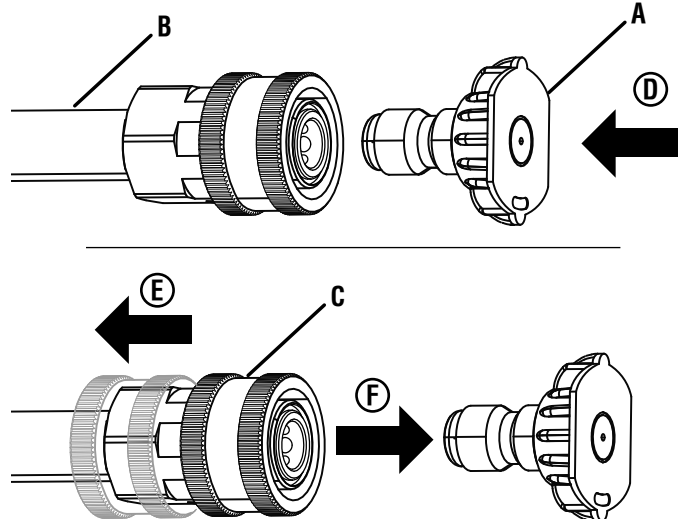
- Stop the pressure washer and turn the water faucet completely off.
- Point the spray gun in a safe direction and pull the trigger to release the water pressure.
- Install the soap nozzle. This unit applies detergent under low pressure using the soap nozzle only.

FIG. 14



A - Trigger  
B - Safety lock

FIG. 15



A - Nozzle  
B - Lance  
C - Collar  
D - Push nozzle in  
E - Pull collar back  
F - Remove nozzle

# OPERATION

- Fill the soap tank with a properly formulated detergent-to-water ratio, following the detergent manufacturer's instructions.

**NOTE:** Use detergents designed for pressure washers. The detergent should be the consistency of water. **DO NOT** use thick, gel-like detergents, as they will clog the pressure washer and can cause damage.

- Turn the water on and start the pressure washer.
- Squeeze the trigger and wait several seconds for detergent to appear in the water stream.
- Start cleaning at the bottom of the surface and work your way up in a side-to-side motion. Do not allow soap to dry on the surface being cleaned.
- Release the trigger to stop the pressure washer.
- Allow the motor to come to a complete stop before squeezing the trigger again.

**NOTE:** Squeezing the trigger rapidly will cause the auto-start feature to miss an on/off cycle and may prevent the washer from turning on. Use slow, deliberate trigger pulls to avoid this.

- When you are finished, remove excess detergent from the soap tank and fill it with clean water. Spray the water through the soap nozzle to flush the system.

## To clean without detergent:

- Stop the pressure washer and turn the water faucet completely off.
- Point the spray gun in a safe direction and pull the trigger to release the water pressure.
- If installed, remove the soap nozzle.
- Install an appropriate nozzle for the task you are performing.
- Turn the water on and start the pressure washer.
- Release the safety lock and begin pressure washing by squeezing the trigger all the way into the handle.

**NOTE:** Always test in a small inconspicuous area to avoid or reduce damage.

- Start cleaning at the bottom of the surface and work your way up in a side-to-side motion.

## OPERATING TIPS

- It is normal to hear the motor run intermittently when the trigger is not being squeezed. The pump is priming itself to operate when the trigger is squeezed again.
- To avoid damaging surfaces:
  - Always use an appropriate nozzle
  - Reduce water pressure by adjusting the angle of the stream or by increasing the distance from the nozzle to the surface.
- Always spray detergent on a dry surface. Do not pre-soak surface. Wetting the surface first dilutes the detergent and reduces its cleaning ability.
- For tough stains, it may be necessary to reapply the detergent and use a bristled brush to scrub the stain.

- Keep a nozzle cleaning tool nearby for unclogging the nozzles.
- The O-rings in the high pressure hose should be cleaned regularly and lubricated with non-water soluble grease such as petroleum jelly.
- Turn off the pressure washer after five minutes of inactivity.

FIG. 16

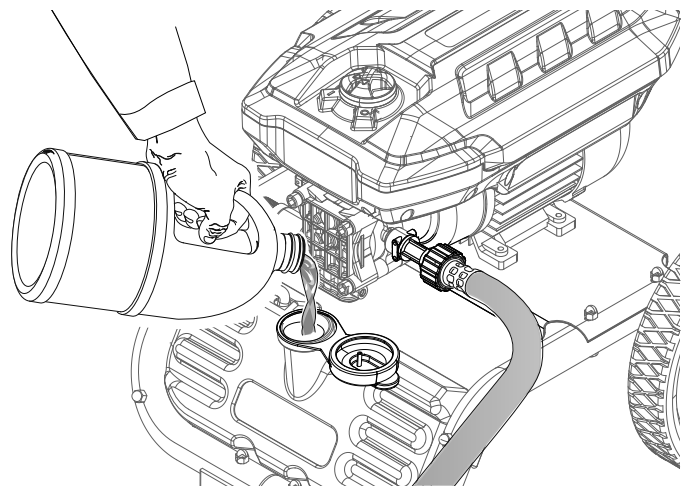
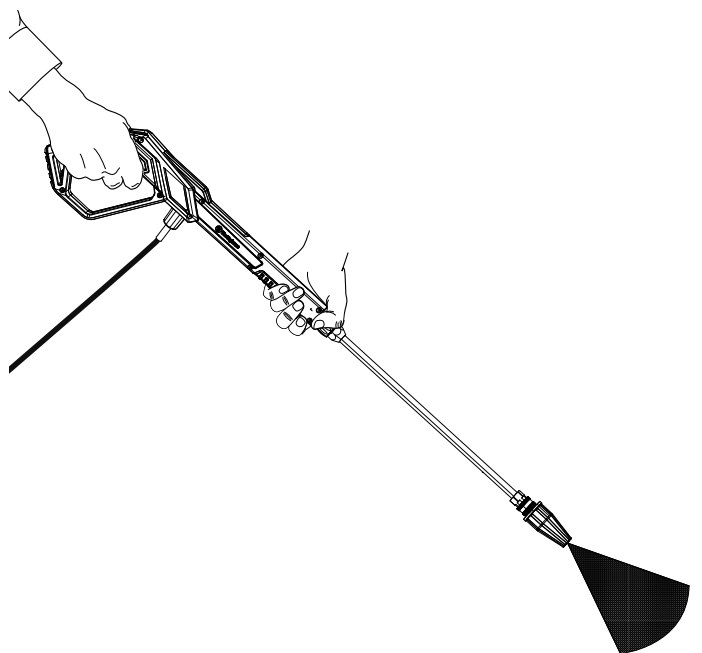


FIG. 17





# CARE AND MAINTENANCE

**⚠ WARNING** ALWAYS turn off the pressure washer, release the pressure in the spray gun, and unplug the pressure washer before performing maintenance.

**⚠ WARNING** Replace damaged or worn items with recommended or equivalent replacement parts. Using an incorrect or incompatible part might create a hazard that could result in serious personal injury.

**NOTICE** Check the physical condition of the product prior to each use. Look for loose bolts, fluid leaks, and other signs of wear. Replace all damaged items. For replacement parts or assistance, contact our customer service team.

To prolong the life of this product, follow the care and maintenance instructions in this section. Contact customer service before servicing any recall or warranty parts.

## CLEANING THE PRESSURE WASHER

Do not store or operate your pressure washer in dirty, dusty, or corrosive environments. Do not allow foreign materials and debris to clog the vents on the unit.

NEVER clean the pressure washer with a garden hose. Water can damage the pressure washer's electrical components. If the unit needs to be cleaned, use a soft brush and damp cloth to clean the exterior and use low pressure air (no greater than 25 psi) to clean the vents.

**Never use gasoline as a cleaning agent.**

## CLEANING THE NOZZLES

See Figure 18.

- Stop the pressure washer and turn the water faucet completely off.
- Release the pressure in the spray gun and unplug the pressure washer.
- Remove the nozzle from the spray gun.
- Use a nozzle cleaning tool or fine needle to clean debris from the inside of the nozzle.
- Using a garden hose, back flush water through the nozzle.
- When the nozzle is clean, place it back on the lance or in the nozzle storage area.

## CLEANING THE WATER INLET SCREENS

See Figure 19.

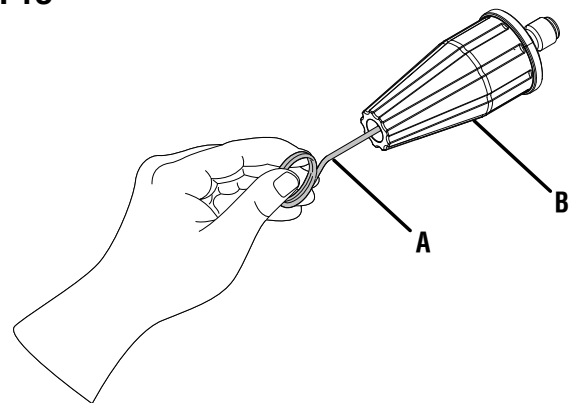
The screens inside the garden hose adapter should be cleaned periodically. Remove the screens, rinse them with clean water, and place them back in the inlet.

## STORAGE

**NOTE:** Use commercially available pump protectors to extend the life of the pump. Follow the manufacturer's instructions for use.

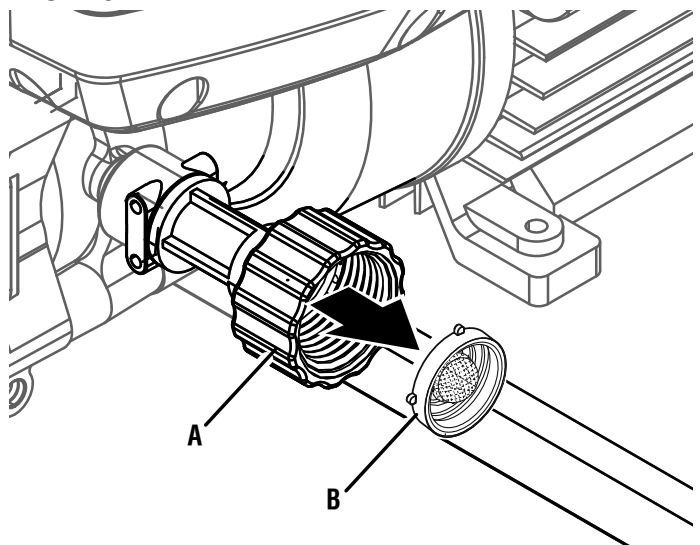
- Release the pressure in the spray gun and unplug the pressure washer. Wrap the cord around the cord retainer.
- Remove the garden hose and store it properly. Tilt the pressure washer to allow excess water to drain from the inlet.
- Remove all nozzles and place them in the nozzle storage area.
- Disconnect the high pressure hose and wrap it around the hose retainer.
- Disassemble the spray gun and lance, and place them in the gun holsters.
- Store the pressure washer in a dry, covered location away from extreme heat which could dry out the pump seals and extreme cold which could cause freeze damage.

FIG. 18



A - Nozzle Cleaning Tool  
B - Turbo Nozzle

FIG. 19



A - Water Inlet  
B - Screen

# CARE AND MAINTENANCE

Maintenance parts can be purchased directly from the factory. A partial list of maintenance parts is below. For a complete list of maintenance parts or for additional information email us at [service@wpowereq.com](mailto:service@wpowereq.com) or call **1-855-944-3571**.

Inlet Filter.....	04000267-0
Turbo Nozzle .....	02000313-0
Soap Nozzle .....	04000388-0
0° Nozzle .....	03000310-0
15° Nozzle .....	03000321-0
25° Nozzle .....	03000309-0

**⚠ WARNING** Do not use attachments or accessories that are not recommended for use with this product. Making unauthorized modifications and using incompatible accessories can damage the unit and void your warranty.

# TROUBLESHOOTING

PROBLEM	POSSIBLE CAUSE	CORRECTION
Unit will not turn on.	Pressure washer is not connected to a power source or the power source isn't grounded	Connect the power cord to a grounded 120 Volt outlet
	Water pressure is in the hose	Pull the trigger to release the water pressure.
	GFCI is tripped	Press the RESET button on the power cord
	Defective motor or power cord.	Contact Westinghouse customer service toll-free at 1 (855) 944-3571.
The unit is running but there is no water flow.	Improper water source	Connect the pressure washer to a water main. Do not use this device with water from a lake, pool, pond, etc.
	Clogged nozzle	Clean the nozzle
	Defective spray lance	Replace the lance
Water is leaking where the hose connects to the spray gun.	Defective or missing O-ring between the high pressure hose and the spray gun.	Replace the o-ring.
The pressure washer turns on for 2 seconds, shuts off, and will not turn back on.	The auto-start feature is turning the unit off.	When the pressure washer is turned on, the motor may run for 1 - 2 seconds to prime the pump. Then it will automatically shut off until the spray gun trigger is squeezed. <b>This is normal and does not indicate a problem.</b>

# WARRANTY

---

## WESTINGHOUSE OUTDOOR POWER EQUIPMENT THREE YEAR LIMITED WARRANTY

### WESTINGHOUSE OUTDOOR POWER EQUIPMENT'S RESPONSIBILITY

Westinghouse Outdoor Power Equipment LLC ("Westinghouse") warrants to the original purchaser that its Westinghouse line of electric pressure washers will be free from defects in material and workmanship. Under normal use and maintenance from the date of purchase, Westinghouse agrees to repair or replace at Westinghouse's sole discretion, any defective product free of charge at any authorized Westinghouse Authorized Service Dealer within the below listed applications, time periods, limitations, and exclusions. THIS LIMITED WARRANTY IS EXTENDED TO THE ORIGINAL PURCHASER ONLY AND IS NOT TRANSFERABLE TO SUBSEQUENT OWNERS EXCEPT FOR EMISSION RELATED PARTS. For a list of Westinghouse Authorized Service Dealers refer to [www.wpowereq.com](http://www.wpowereq.com) or call 1-855-944-3571.

### OWNER'S RESPONSIBILITY

To ensure hassle-free warranty coverage, it is important that you register your Westinghouse electric pressure washer online at [www.wpowereq.com](http://www.wpowereq.com), by automated phone at 1-855-944-3571, or by filling out and returning to Westinghouse the warranty registration card supplied with your pressure washer. Registering your product confirms your warranty coverage and provides a direct link between you and Westinghouse should it become necessary to contact you.

Your receipt for purchase including date, model and serial number must be maintained and presented to Westinghouse customer service in order to obtain warranty service. Proof of purchase rests solely with you, the original purchaser. You must demonstrate reasonable care and use and follow preventive maintenance and storage guidelines as prescribed in the operator's manual for your Westinghouse unit. Should a product difficulty occur, you must, at your expense, deliver or ship your Westinghouse unit to an Authorized Service Dealer for warranty repairs (which must occur within the applicable warranty period), and arrange for pick-up or return of your unit after the repairs have been made. If proof of purchase is not available to establish purchase date nor is the product registered as described herein, the date of manufacturing as recorded

To find the Westinghouse Authorized Service Dealer nearest to you, call Westinghouse customer service and support at 1-855-944-3571 or visit the "Locate a Service Dealer" page at [www.wpowereq.com](http://www.wpowereq.com). Should you require assistance or have questions concerning Westinghouse's Warranty Statement, you can contact us through online at [www.wpowereq.com](http://www.wpowereq.com) or call 1-855-944-3571.

### PRODUCT WARRANTY APPLICATIONS AND PRODUCT WARRANTY PERIODS

#### CONSUMER APPLICATION

For the purposes of this limited warranty, "Consumer Application" means usage by the original purchaser for the purpose of personal residential household or recreational use. For those using this product for a consumer application, the following warranty terms apply:

**Parts and labor will be fully covered for a period of one year from the date of purchase.**

**Parts only will be fully covered for a period of two years from the date of purchase.**

At Westinghouse's sole discretion, certain replacements be fully covered for a period of three years from the date of purchase.

#### COMMERCIAL APPLICATION

For the purposes of this limited warranty, "Commercial Application" means usage by the original purchaser for the purpose of income producing, business relation use. Once a Westinghouse electric pressure washer has been used for income producing and business related purposes, it shall thereafter be considered a product used for a "Commercial Application" and the following warranty terms apply:

Parts and labor will be fully covered for a period of ninety days from the date of purchase.

#### EXCLUSIONS

The following items are excluded from warranty coverage:

- Utilization of non-Westinghouse replacement parts except where authorized by Westinghouse in writing
- Costs of routine/normal maintenance
- Repairs or diagnostics performed by a non-authorized service dealer except where authorized by Westinghouse in writing
- Product failures due to normal wear and tear, accident, misuse, abuse, negligence, or improper use
- Product failures due to any external cause, including but not limited to: collision, theft, vandalism, riot, war, fire, freezing, lightning, earthquake, windstorm, hail, water damage, flood damage, tornado damage, rodent/pest related damage, or hurricane damage
- Products that are modified or altered in a manner not authorized in writing by Westinghouse
- Any incidental, consequential, or indirect damages caused by defects in materials or workmanship
- Any incidental, consequential, or indirect damages caused by delay in repair or replacement of defective part(s)
- Product failure due to misapplication
- Telephone, cellular phone, fax, internet, or any other communication-related expenses \
- Expenses related to "customer instruction" or troubleshooting where no manufacturing defect is found
- Overnight freight or special shipping costs for replacement parts
- Overtime, holiday, or emergency labor costs

#### DISCLAIMER OF IMPLIED WARRANTIES

This limited warranty is in lieu of all other expressed or implied warranties, including any warranty of FITNESS FOR A PARTICULAR PURPOSE OR USE and any IMPLIED WARRANTY OF MERCHANTABILITY otherwise applicable to Westinghouse's line of electric pressure washers and its affiliated companies shall not be liable for any special, incidental or consequential damage, including lost profits. There are no warranties extended other than as provided herein. This limited warranty may be modified only by Westinghouse Outdoor Power Equipment LLC. Any implied warranties allowed by law shall be limited in duration to the terms of the express warranty provided herein. Some states do not allow the exclusion or limitation of incidental or consequential damages, so the above limitation may not apply to you. This warranty gives you specific legal rights. You also have other rights from state to state. WESTINGHOUSE OUTDOOR POWER EQUIPMENT LLC'S ONLY LIABILITY SHALL BE THE REPAIR OR REPLACEMENT AS STATED ABOVE. IN NO EVENT SHALL WESTINGHOUSE BE LIABLE FOR ANY INCIDENTAL OR CONSEQUENTIAL DAMAGES, EVEN IF SUCH DAMAGES ARE A DIRECT RESULT OF MWE INVESTMENTS, LLC'S NEGLIGENCE. Some states do not allow the exclusion or limitation of incidental or consequential damages, so the above limitation may not apply to you.

This limited warranty is given by Westinghouse Outdoor Power Equipment LLC (777 Manor Park Drive, Columbus, OH 43228).