

# W03383

3650 / 3300 WATT REMOTE START  
INVERTER PORTABLE GENERATOR  
EPA CARB AND cETL CERTIFIED

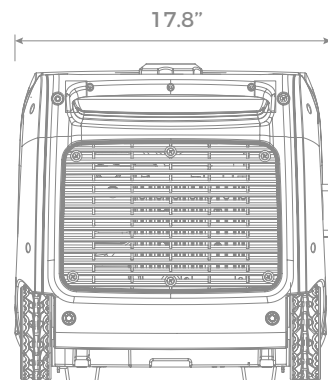
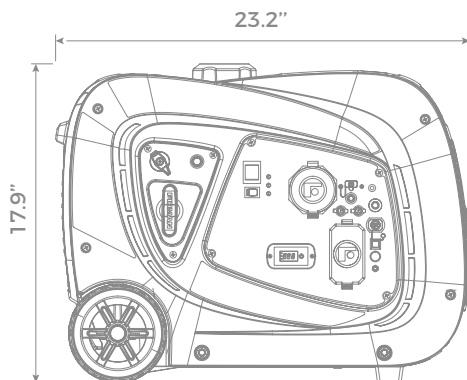
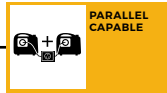
**FIRMAN**<sup>®</sup>  
POWER EQUIPMENT

8716 WEST LUDLOW DR. SUITE #6  
PEORIA, AZ 85381  
1-844-347-6261  
WWW.FIRMANPOWEREQUIPMENT.COM

UPC // 840876133835  
STARTING WATTS // 3650  
RUNNING WATTS // 3300  
VOLTAGE // 120V  
FREQUENCY // 60Hz  
ENGINE TYPE // OHV  
STARTING SYSTEM // REMOTE / ELECTRIC / RECOIL  
FUEL TANK VOLUME // 1.8 GAL  
RUN-TIME // UP TO 10 HRS (@25% LOAD)  
DECIBELS // 58 dB (@7m @25% LOAD)  
CARTON L×W×H // 26.6" × 18.9" × 19.3"  
GROSS WEIGHT // 104 LBS.  
UNIT WEIGHT // 91 LBS.  
UNITS PER PALLET // 16  
UNITS PER CONTAINER // 320 / 40HQ

## CONTROL PANEL

(2) 5-20R 20A-120V  
(1) TT-30R 30A-120V RV READY  
(1) DC OUTLET 8.3A-12V  
(1) USB OUTLET 2.1A-5V



## BEST USED FOR



W3650iR

Parallel Capable  
Capaz Paralelo  
Capable parallèle



3650  
3300

STARTING WATTS  
PEAK WATTAGE  
POWER TO TRANSFORMERS

RUNNING WATTS  
STEADY STATE  
POWER TO CONSUMERS  
POWER TO EQUIPMENT

Control panel area including a fuel tank cap, a red emergency stop button, and a yellow handle with the FIRMAN logo. It also features a power switch and a battery level indicator.

Power switch and battery level indicator section. Includes a red power switch and a battery level indicator with a scale from 0 to 100.

AC output section featuring a large 120V AC 20A RV outlet, a 120V AC 15A outlet, and a 12V DC 20A outlet. Includes a red emergency stop button and a battery level indicator.

Key lock mechanism for the control panel, featuring a yellow key and a lock cylinder.

Digital display panel showing '88.8' and '12.0V'. Includes a red emergency stop button and a battery level indicator.

DC output section featuring a 12V DC 20A outlet, a 12V DC 10A outlet, and a 12V DC 5A outlet. Includes a red emergency stop button and a battery level indicator.

**FIRMAN**®

