

VEVOR[®]

TOUGH TOOLS, HALF PRICE

Technical Support and E-Warranty Certificate

www.vevor.com/support

VACUUM PACKING MACHINE USER MANUAL

Model: DZ400-2E-V1, DZ400-2E-V3, DZ-400-2F-V3

We continue to be committed to provide you tools with competitive price. "Save Half", "Half Price" or any other similar expressions used by us only represents an estimate of savings you might benefit from buying certain tools with us compared to the major top brands and does not necessarily mean to cover all categories of tools offered by us. You are kindly reminded to verify carefully when you are placing an order with us if you are actually saving half in comparison with the top major brands.

VEVOR[®]

TOUGH TOOLS, HALF PRICE

VACUUM PACKING MACHINE



DZ400-2E-V1, DZ400-2E-V3



DZ-400-2F-V3

NEED HELP? CONTACT US!

Have product questions? Need technical support? Please feel free to contact us:

Technical Support and E-Warranty Certificate
www.vevor.com/support

This is the original instruction, please read all manual instructions carefully before operating. VEVOR reserves a clear interpretation of our user manual. The appearance of the product shall be subject to the product you received. Please forgive us that we won't inform you again if there are any technology or software updates on our product.

WARNING

1. Read carefully and understand all **ASSEMBLY AND OPERATION INSTRUCTIONS** before operating.
2. Failure to follow the safety rules and other basic safety precautions may result in serious personal injury.

GENERAL SAFETY RULES

Please read the entire operating instructions before using the products for the first time; They contain important information about the correct operation.

The guarantee/warranty will be void if damage is incurred resulting from non-compliance with the operating instructions. Liability for any and all consequential damage is excluded!

We do not assume any liability for damage to property or personal injury caused by improper use or the failure to observe the safety instructions! In such cases the guarantee/warranty will be void

The unauthorized conversion, modification of disassembly of the products is inadmissible because of safety and approval reasons (CE).

The product is not a toy and must be kept out of the reach of children. Particular care must therefore be exercised if children are present.

The product must not get damp or wet, it is only intended for use in dry, indoor locations (not bathrooms or similarly damp areas). There is a risk of a fatal electric shock.

Do not expose the product or its accessories to damp or extremely high or low temperatures.

Do not leave packing materials unattended. They may become dangerous playing material for children.

Dropping, falling, pressure or tensile forces could destroy or at least limit the function of the product.

Never position the device in the vicinity of combustible or easily inflammable materials.

Always make sure that the rotary table on which the object is placed is located in the center of the housing!

This machine uses plastic film or plastic aluminum film as materials to vacuum package paste foods, fruits, sauce vegetables, chemicals, pharmaceuticals, electronic components, precision instruments, rare metals, and other items. Products packaged under vacuum are not easily oxidized or moldy. Especially suitable for industries such as tea, food, and medicine.

If you have reason to assume that safe operation is no longer possible, disconnect the device immediately and secure it against inadvertent operation.

It can be assumed that safe operation is no longer possible if:

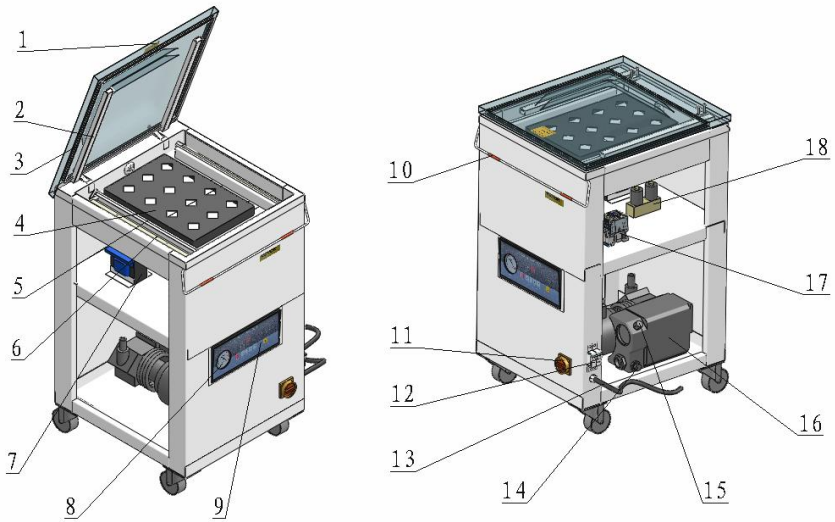
- the device shows visible signs of damage,
- the device no longer functions,
- after a longer period of storage under unfavourable conditions,
- following heavy stress during transportation.

SAVE THESE INSTRUCTIONS

MODEL AND PARAMETERS

Model	DZ400-2E-V1	DZ400-2E-V3	DZ-400-2F-V3
Seal Length	400mm	400mm	400mm
Chamber Dimensions	440x420x200mm	440x420x200mm	440*420*75mm
Vacuum Pump Type	Oil Pump	Oil Pump	Oil Pump
Pumping Speed of Vacuum Pump	19.8m ³ /h	19.8m ³ /h	19.8m ³ /h
Voltage	AC 120V 60Hz	AC 230V 50Hz	AC 230V 50Hz
Max. Power	2600W	2600W	2600W
Vacuum Pump Power	900W	900W	900W
Machine Material	201 Stainless Steel	201 Stainless Steel	201 Stainless Steel

STRUCTURE DIAGRAM



1	Vacuum cover	10	Organic cover pressure strip
2	Silicone strip	11	Power switch
3	Vacuum sealing bar	12	Air Switch
4	Base plate	13	Power line
5	Bag pressing rod	14	Oil drain port
6	Heating strip	15	Oil filler
7	Heating transformer	16	Vacuum pump
8	Vacuum gauge	17	Contactor
9	Control panel	18	solenoid valve

PARTS LIST

Parts \ Model	DZ400-2E-V1	DZ400-2E-V3	DZ-400-2F-V3
Heating Wire	×2	×2	×2
Teflon Cloth	×2	×2	×2
Filler Board	×1	×1	×1
Vacuum Pump Oil	×1	×1	×1
Open-end wrench	×1	×1	×1
Vacuum Bag	×30	×30	×30
Chamber Sealing Strip	×1	×1	×1
Screwdriver	×2	×2	×2
Vacuum pump Oil seal	×2	×2	×2
User Manual	×1	×1	×1

OPERATING INSTRUCTIONS

1. Push the door latch towards the center by hand and remove the side door.



2. Unscrew the oil mist filter of the vacuum pump and fill it with oil. The oil level should not be lower than half of the oil window. The oil level should not exceed 3/4 of the visible oil window. It is strictly prohibited to start the vacuum pump without oil.



3. PANEL OPERATION INSTRUCTIONS

1) : ① Time and status display. Display "_" as standby mode; Display "00" as the deflation status;

The displayed numbers indicate the status of vacuum, sealing, permanent tem, or cooling (with decimal points).

2) : ② Emergency stop button. Use when there is a problem with the machine , operation or when it is need to stop urgently.

3) : ③ VACUUM time setting key : In the standby state, press the key for the first time, and the single digit number in the ① flashes; press the second time, the ten-digit number flashes; press the third time to confirm the effective time and save to return to the standby state. (Adjusting time range:0-99S)

4) : ④ SEALING time setting key: In the standby state, press the key for the first time, and the single digit number in the ① flashes; press the second time, the ten-digit number flashes; press the third time to confirm the effective time and save to return to the standby state. (Adjusting time range:0-9.9S)

5) : ⑤ SEALING TEMPERATURE setting key.

a: For setting the ⑤ SEALING TEMPERATURE, press this key to change the sealing temperature setting value.

Press the ⑧ LOW indicator light once, indicating that it is in a low temperature state;

Press twice to display ⑨ MIDDLE ,indicating that it is in a medium temperature;(Recommended)

Press three times to show the ⑩ HIGH indicator light, indicating that it is in a high temperature state;

Press four times ⑧⑨⑩ The indicator does not show, indicating no temperature state.

b: For setting the cooling time, "after holding down the key for 5S", and the single digit number in the ① flashes; press the second time, the ten-digit number flashes; press the third time to confirm the effective time and save to return to the standby state. (Adjusting time range:0-9.9S) (Factory setting is 2S).

6) : ⑥ INCREASE key. When setting vacuum, sealing or cooling time, press this key to increase one to the flicker bit value.

7) : ⑦ DECREASE key. When setting vacuum,sealing or cooling time, press this key to decrease the flicker value by one.

4.PANEL USAGE INSTRUCTIONS

Step 1:Connect the matching power supply

Step 2:Open AIR SWITCH

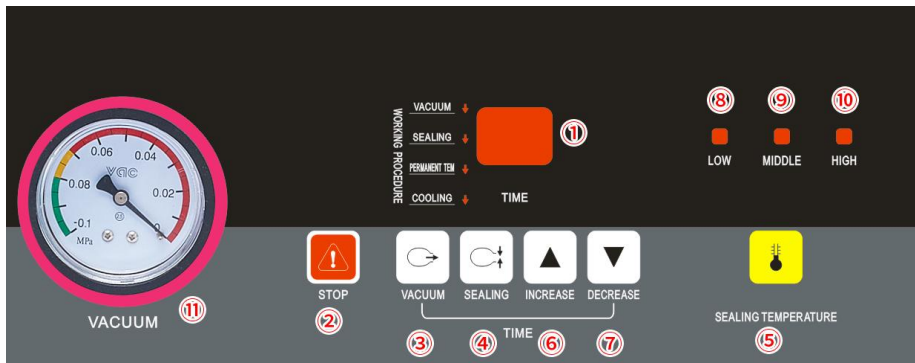
Step 3:Press the ③ VACUUM button for vacuum time, according to the actual requirements, press ⑥ INCREASED to increase the time/⑦ DECREASE to reduce the time, generally about 25 seconds.

Step 4: Press the ④ SEALING button for sealing time, according to the actual

requirements, press ⑥ INCREASED to increase the time/⑦ DECREASE to reduce the time, generally normal bags for about 2 seconds. It is strictly prohibited to set the sealing time too long or burn out the sealing heating strip.

Step 5: Press the ⑤ SEALING TEMPERATURE button twice, point the indicator light to ⑨ MIDDLE, and the general items are recommended to use the medium temperature state.

Note: ③ VACUUM and ⑤ DECREASE clicked together refers to the PERMANENT TEM which has setting by the factory, no need to change.



5. Place the product to be packaged into a vacuum chamber. Pick up the bag pressing rod and place the vacuum bag flat on the sealing strip. Put down the bag pressing rod.



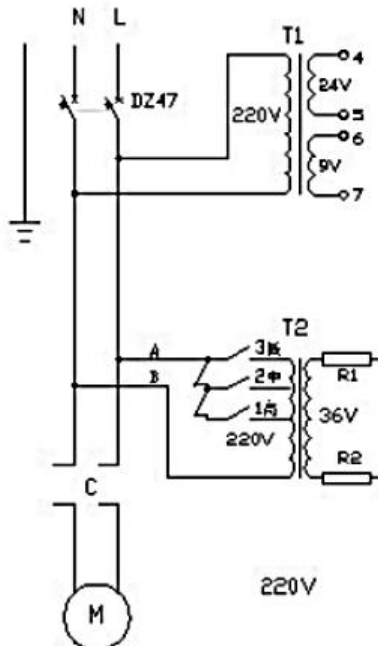
6. Press the front end of the vacuum cover by hand during operation. When operating, press the edge of the vacuum cover by hand, and the vacuum machine starts to work. After the vacuum machine starts to run, the hand leaves the machine, the ⑪ VACUUM metre pointer will point 0.06-0.08 to achieve the vacuum purpose, and the machine will automatically complete the packaging process.



7. When the machine needs to change oil or is not used for a long time, loosen the screw under the oil window and drain the vacuum pump oil. Suggest replacing the vacuum pump oil after the machine has been working continuously for 800 hours



CIRCUIT DIAGRAM

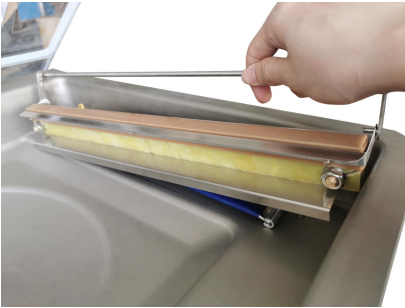


MAINTENANCE

1. After using , the surface of the machine should be cleaned and residual materials inside the machine should be removed.
2. When storing, keep in a clean, dry, and safe location away from children.
3. All maintenance, service, and repairs not discussed in the manual should only be performed by qualified service technicians.

Replace the high temperature cloth(Teflon Cloth)

1. Remove the screws on both sides of the tray, and then pick up the whole tray.



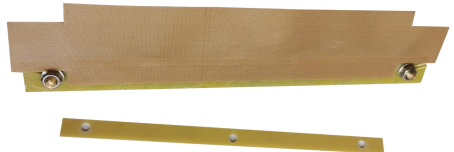
2. Remove the upper screws .



3. Remove the old high-temperature cloth.



4. Apply new high temperature cloth.



5.Reinstall the original screws

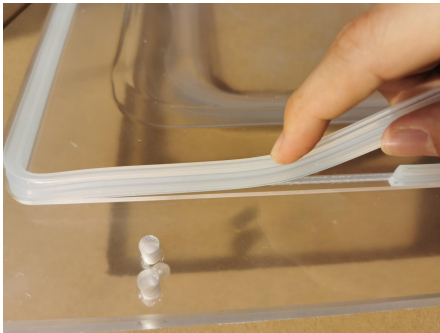


6.Completing the Installation.



Replace the Chamber Sealing Strip

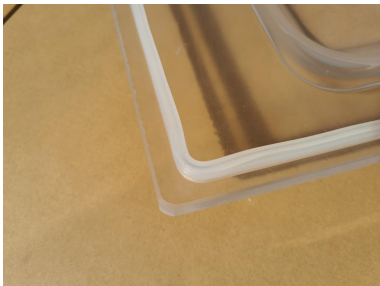
1. Remove the Chamber Sealing Strip.



2.Replace the Chamber Sealing Strip with a new one



3.Completing the Installation



TROUBLESHOOTING AND SOLUTIONS

Problem	Possible Cause	Solution
The machine doesn't work and the control panel shows nothing.	<ol style="list-style-type: none"> 1.No connection of the power supply. 2.The contact of the power switch looses. 	<ol style="list-style-type: none"> 1.Check whether the plug and socket are effectively connected. 2.Check whether the wiring of the power input part inside the machine is loose or detached.
The control panel startup,but the machine doesn't work.	The parameter is being set.	Complete the parameter setting.
The best vacuum state can't be achieved.The vacuumizing speed is slow.	<ol style="list-style-type: none"> 1.Short vacuumizing time. 2.The oil in the vacuum pump is not enough or the oil is not clean. 3.Air leakage and wear of the sealing ring. 	<ol style="list-style-type: none"> 1.Extend the vacuum time. 2.Check the oil level, refuel or change the oil (pay attention to the oil type (vacuum oil 46#,68#) and oil quantity. 3.Replace the sealing ring.
Sealing failure or poor sealing.	<ol style="list-style-type: none"> 1.The bags are not correctly placed on the heating plates. 2.Too long/short sealing time. 3.Inappropriate heating temperature.. 4.Silicon strip damaged or with impurity. 5.Damage of electric heating wire. 	<ol style="list-style-type: none"> 1.Place the bags on the plate in order. 2.Shorten/prolong the sealing time. 3.Choose proper temperature. 4.Clean or replace the silicon rubber. 5.Change electric heating wire.

CORRECT DISPOSAL



This product is subject to the provision of European Directive 2012/19/EC. The symbol showing a wheeled bin crossed through indicates that the product requires separate refuse collection in the European Union. This applies to the product and all accessories marked with this symbol. Products marked as such may not be discarded with normal domestic waste, but must be taken to a collection point for recycling electrical and electronic devices

Manufacturer: Shanghai muxinmuyeyouxiangongsi

Address: Baoshanqu Shuangchenglu 803long 11hao 1602A-1609shi
Shanghai

EC REP: SHUNSHUN GmbH.

Römeräcker 9 Z2021,76351 Linkenheim-Hochstetten, Germany

Tel: +49 1727041930 euvertreter@gmail.com

UK REP: Pooledas Group Ltd.

Unit 5 Albert Edward House, The Pavilions Preston, United Kingdom

Tel: 01772418127 pooledas123@gmail.com

Imported to AUS: SIHAO PTY LTD.

1 ROKEVA STREET EASTWOOD NSW 2122 Australia

Imported to USA: Sanven Technology Ltd.

Suite 250, 9166 Anaheim Place, Rancho Cucamonga, CA 91730

Made In China

VEVOR[®]

TOUGH TOOLS, HALF PRICE

Technical Support and E-Warranty Certificate

www.vevor.com/support