

VEVOR[®]

TOUGH TOOLS, HALF PRICE

Technical Support and E-Warranty Certificate www.vevor.com/support

BUCKET BALE SPEAR SUIT

USER MANUAL

We continue to be committed to provide you tools with competitive price.

"Save Half", "Half Price" or any other similar expressions used by us only represents an estimate of savings you might benefit from buying certain tools with us compared to the major top brands and does not necessarily mean to cover all categories of tools offered by us. You are kindly reminded to verify carefully when you are placing an order with us if you are actually saving half in comparison with the top major brands.

VEVOR®

TOUGH TOOLS, HALF PRICE

BUCKET BALE

SPEAR SUIT

WBS-016



NEED HELP? CONTACT US!

Have product questions? Need technical support? Please feel free to contact us:

Technical Support and E-Warranty Certificate
www.vevor.com/support

This is the original instruction, please read all manual instructions carefully before operating. VEVOR reserves a clear interpretation of our user manual. The appearance of the product shall be subject to the product you received. Please forgive us that we won't inform you again if there are any technology or software updates on our product.

Safety precautions



WARNING:

Read this instructions before using this product. Failure to do so can result in serious injury. the basic precautions should always be followed,including the following:

1. The reptile incubator may not be used or stored in hazardous areas. It is not allowed to use the appliance in hazardous locations.
2. The reptile incubator must be checked to ensure that it is in proper working order and is operating safely prior to use. Otherwise,the appliance must not be used.
3. Use as intended only. The reptile incubator is not suitable for sweeping off corrosive substances. as they can harm the materials on the snow pusher.
4. The operator must use the reptile incubator properly. He must consider the local conditions and must pay attention to third parties,in particular children,when working with the reptile incubator.
5. This reptile incubator is not intended for use by persons (including children) with reduced physical,sensory or mental abilities or lacking experience and/or knowledge,unless they are super- vised by a person responsible for their safety or are instructed by these persons on the use of the device. Children should be supervised,to ensure that they do not play with the reptile incubator.

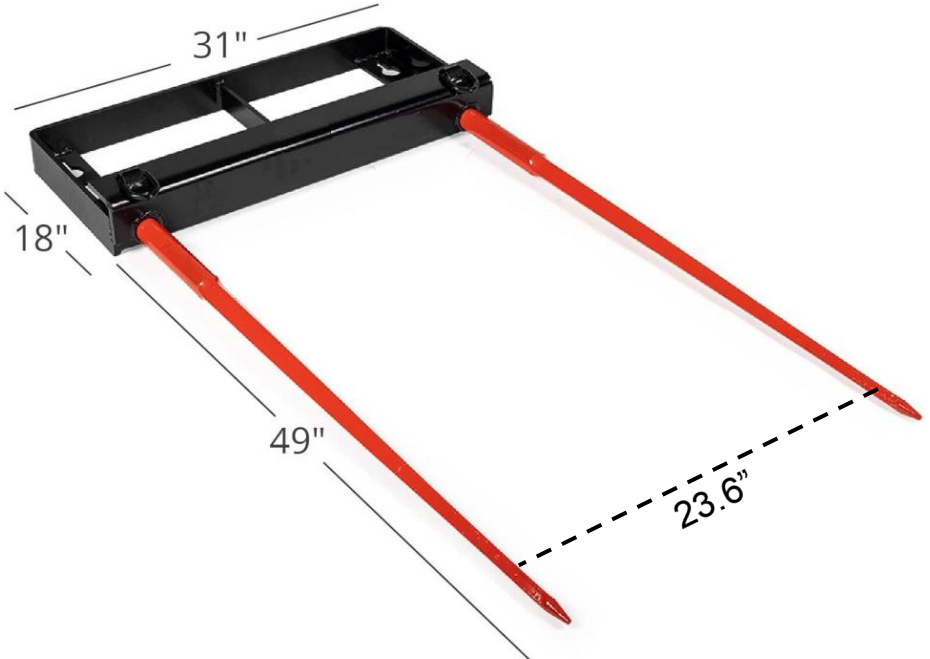
SAVE THESE INSTRUCTIONS

Product List

Name	Parts	Quantity
Wall Frame		1
Hay Bale Spear		2
Nut		2
U-shaped shackle		4
Tension Lever		2
Chain		2

Product Description

Name	Dimensions WxHxD	Net Weight
Wall Frame	31*22.4*5.7in (785*455*120mm)	55kg
Hay Bale Spear	ø1.77*49.2in (ø45*1250mm)	
Stabilizer Spears	ø1.26*16.9in (ø32*430mm)	
Weight Capacity:3000lb(1360kg)		



Assemble with the vehicle

Suitable models: skid steer loading vehicles with buckets;





Address: Baoshanqu Shuangchenglu 803long 11hao 1602A-1609shi Shanghai

EC REP: SHUNSHUN GmbH. Römeräcker 9 Z2021,76351

Linkenheim-Hochstetten, Germany

UK REP: Pooledas Group Ltd. Unit 5 Albert Edward House, The Pavilions Preston,
United Kingdom

Imported to AUS: SIHAO PTY LTD. 1 ROKEVA STREETEASTWOOD NSW 2122
Australia

Imported to USA: Sanven Technology Ltd. Suite 250, 9166 Anaheim Place,
Rancho Cucamonga, CA 91730

Made in China

VEVOR[®]

TOUGH TOOLS, HALF PRICE

Technical Support and E-Warranty Certificate

www.vevor.com/support